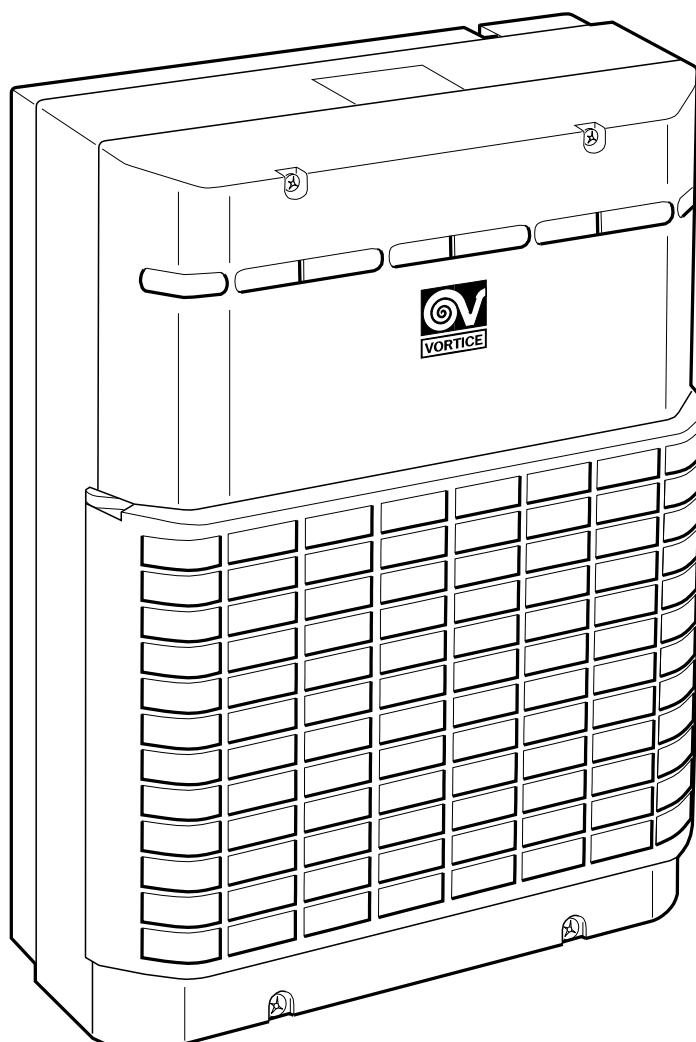




**Libretto d'istruzioni**  
**Instruction booklet**  
**Notice de pose et d'entretien**  
**Betriebsanleitung**  
**Folleto de instrucciones**  
**Manual de instruções**  
**Gebruiksaanwijzing**  
**Instruktionshäfte**  
**كتيب التعليمات**



**VORT MAX S**



**MADE IN ITALY COD. 5.371.084.664**

**01/09/2009**

VORTICE LIMITED  
Milley Lane - Hare Hatch  
Reading - Berkshire - RG10 9TH  
Tel. (+44) 118-94.04.211  
Fax (+44) 118-94.03.787  
UNITED KINGDOM

VORTICE FRANCE  
72 Rue Baratte-Cholet  
94106 Saint Maur Cedex  
Tel. (+33) 1-55.12.50.00  
Fax (+33) 1-55.12.50.01  
FRANCE

VORTICE ELETTROSOCIALI S.p.A.  
Strada Cerca, 2 - frazione di Zoate  
20067 TRIBIANO (MI)  
Tel. (+39) 02-90.69.91  
Fax (+39) 02-90.64.625  
ITALIA

Fig. 1

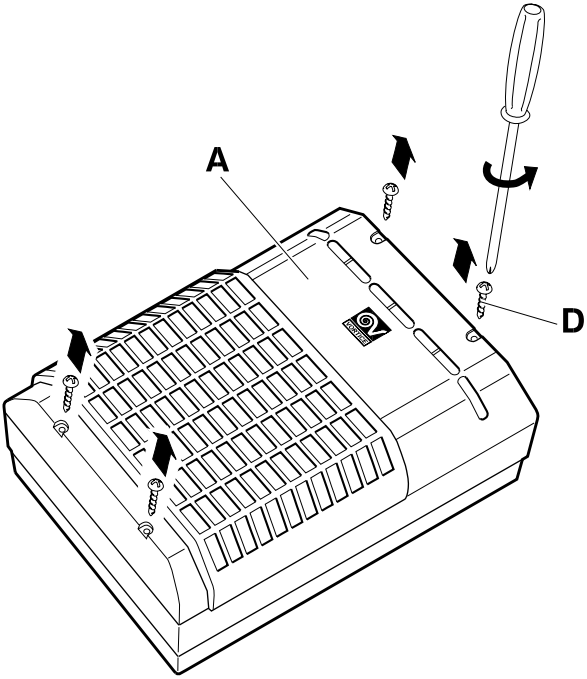


Fig. 2

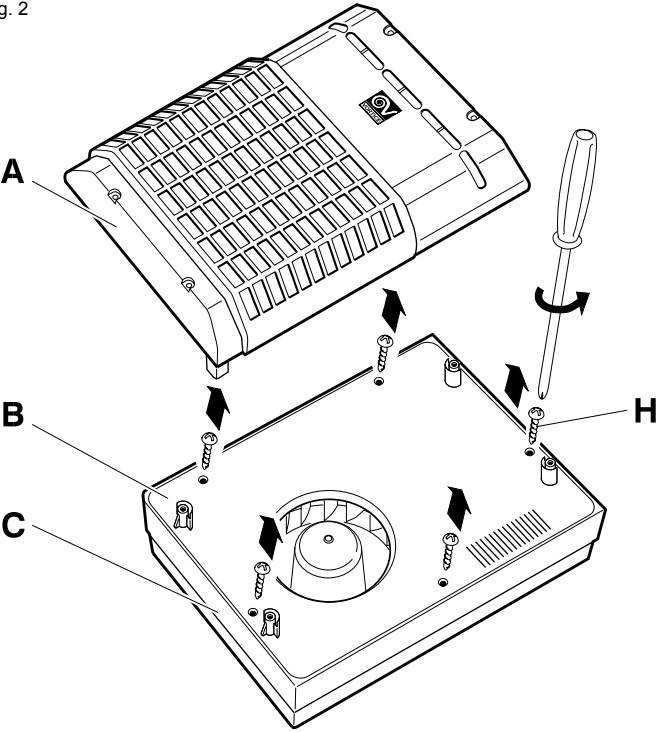


Fig. 3

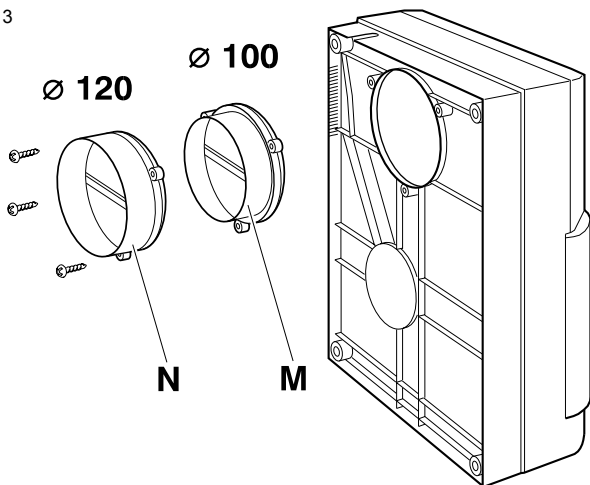


Fig. 4

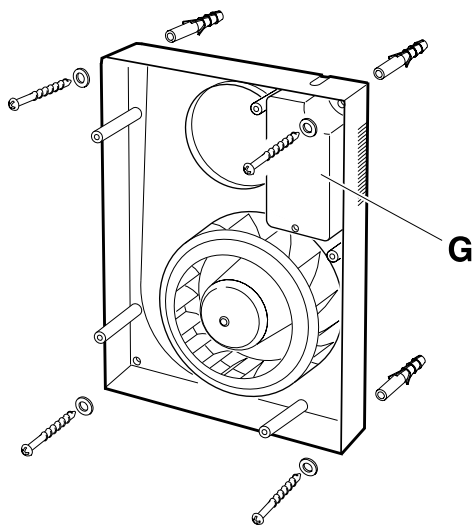


Fig. 5

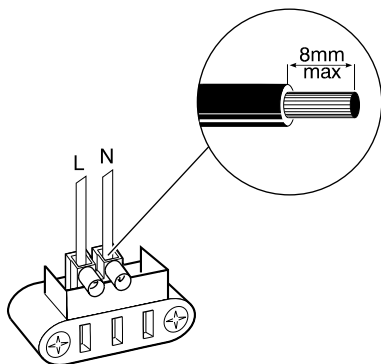
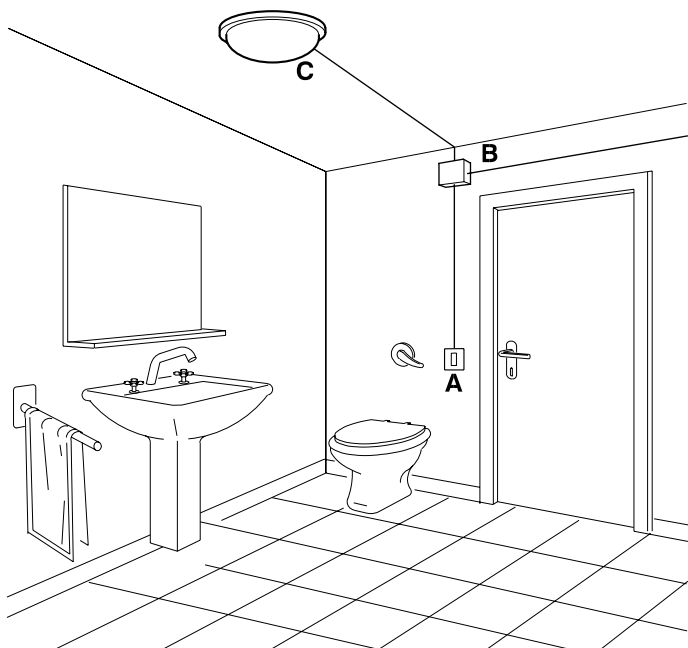


Fig. 6

LOCALE CIECO CON SOLO ILLUMINAZIONE  
 ROOM WITHOUT WINDOW WITH LIGHTING ONLY  
 LOCAL SANS FENÊTRE AVEC SEULEMENT L'ÉCLAIRAGE  
 RAUM OHNE FENSTER MIT KÜNSTLICHER BELEUCHTUNG  
 CUARTO CIEGO CON SOLA ILUMINACIÓN  
 LOCAL SEM VISTA, SOMENTE COM ILUMINAÇÃO  
 RUIJTE ZONDER RAAM MET VERLICHTING  
 LOKALN UTAN FÖNSTER ENDAST MED BELYSNING

غرفة بدون شبايك مع ضوء فقط

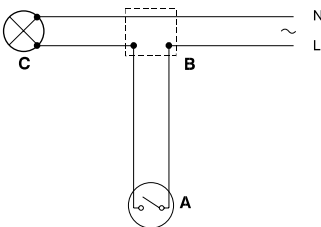


SCHEMA ELETTRICO  
 WIRING DIAGRAM  
 SCHÉMA ÉLECTRIQUE  
 ELEKTRISCHER SCHALTPLAN  
 DIAGRAMA DE CONEXIÓN ELÉCTRICA  
 ESQUEMA ELÉCTRICO  
 AANSLUITSCHEMA  
 KOPPLINGSSCHEMA

مخطط التوصيلات الكهربائية

A) Interruttore  
 Switch  
 Interrupteur  
 Schalter  
 Interruptor  
 Interruptor  
 Schakelaar  
 Strömbrytare

مفتاح كهربائي



B) Cassetta di derivazione  
 Junction box  
 Boite de dérivation  
 Abzweigdose  
 Caja de derivación  
 Caixinha de derivação  
 Veerdeldoos  
 Avgreningsdosa

الخط

صندوق التوصيل

Fig. 7

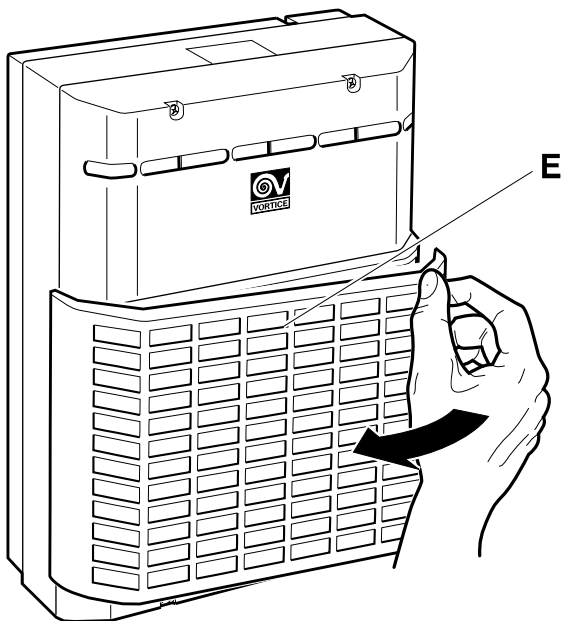
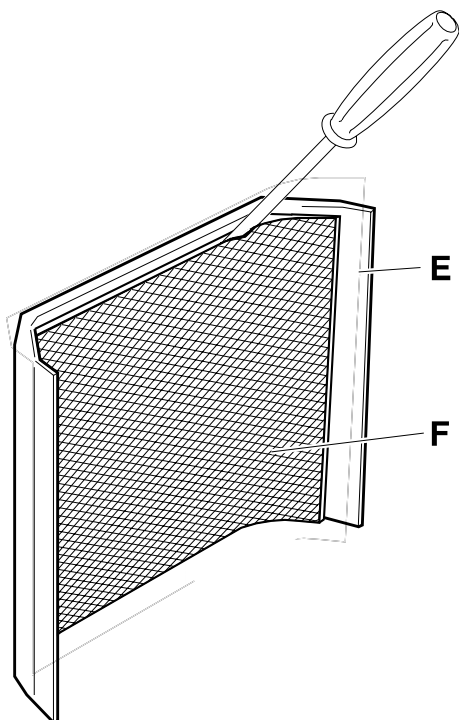


Fig. 8





## CAUTION

### General safety instructions

Recommended by manufacturers associated to ANIE (National Association of Electrotechnical and Electronic Industries).

Note: the unit has been manufactured in a workmanlike manner. The solidity and reliability of its electric and mechanical components can be enhanced by operating and servicing the unit correctly.

- Carefully read the safety instructions outlined in this booklet that provide important information and guarantee a safe installation, operation and maintenance of the unit. Carefully store this booklet for future reference.
- Check the integrity of the unit after removing it from the packing. In doubt, do not use the unit and contact qualified personnel. Keep packaging material (plastic bags, foam polystyrene, nails, etc.) out of the reach of children to prevent possible hazards.
- Before connecting the unit, make sure that the nameplate data is compliant with the mains.  
(The nameplate is located on the upper section of the housing).
- The unit must be used only for the applications for which it has been designed, that is to aerate rooms with single channel discharge. All other uses are regarded improper and therefore hazardous. The manufacturer shall not be liable for damages originating from an improper, incorrect and irrational use.
- Always follow a few basic instructions when using electric equipment. In particular:
  - Never touch the unit with wet or damp hands or feet.
  - Never operate the unit with bare feet.
  - Never leave the unit exposed to atmospheric agents (rain, sun, etc.).
  - The unit should never be operated by children or incapacitated people without supervision.
- Before performing cleaning or maintenance operations, always turn the unit off by disconnecting the plug from the mains or turning the main switch off.
- In the event of failure and/or abnormal operation, turn the unit off without attempting to repair the fault.
- Reparations should be carried out by a Vortice authorised technical assistance centre and with original spare parts only. The failure to comply with the instructions given above may affect the safety of the unit.
- To store the unit for long periods of time, disconnect it from the power supply by removing the plug from the socket. It is also advisable to adequately protect all those parts that could be potentially hazardous, especially for children who could use the disconnected unit as toys.
- The mains to which the unit is connected must conform to the existing norms.
- The appliance is not intended for use by young children or infirm persons without supervision.
- Young children should be supervised to ensure that they do not play with the appliance.

### Special general instructions

- The unit must be installed by qualified personnel in accordance with the instructions provided by Vortice. The manufacturer shall not be liable for injuries to people and animals and damages to property originating from an incorrect use of the unit.
- The unit does not need to be connected to a grounding system if equipped with dual insulation.
- Check that the electric voltage of the system and sockets is suited to the maximum power indicated on the nameplate. In doubt, contact a qualified professional.
- Always use an omnipolar switch with a contact opening gap equal or greater than 3 mm.
- Never leave the unit in operation. Always turn the unit off when it is not in use.
- Do not obstruct the air-intake and air-dissipation grilles.
- Always install the unit at a safety distance from walls, objects, etc.

- Discharged air must always be conveyed back into hot air ducts (i.e. discharge of combustion products of water boilers). The unit must have a single discharge flue (channel used to eject the air produced by the unit) or an external wall-mounted discharge.
- The unit must be installed in a position that does not allow the roll, on the delivery side, to be accessed with a finger test similar to one shown at the end of this document, in compliance with the provisions of current laws. If this condition cannot be guaranteed, it is necessary to install a protection grille.
- The unit can be mounted on walls or on ceiling.
- If a unit using solid, liquid or gas fuel (i.e. water boiler, methane stove, etc.) with no "balanced flow" is installed in the same room and this unit is watertight, it is necessary to make sure that sufficient air is re-injected to guarantee a perfect combustion for the existing unit and a correct operation of the exhaust unit.

## Important

- The unit suffers damages, though not visible, or become dangerous if it falls or is hit with other objects. If this occurs, it is necessary to have it immediately inspected by a Vortice Technical Assistance Centre.

## Useful information for installers

If the wall surface is made of non aligned tiles, apply a washer or another kind of spacer between the wall and the flange of the unit to realign the flange. Never tighten the flange on uneven surfaces to avoid interfering with the operation of the roll.

## Installation

- 1) Remove the protection grid A) from flange B) after loosening screws D) (Fig. 1).
- 2) Remove flange B) from the motor support C) after loosening screws H) (Fig. 1-2).
- 3) Fit the nozzle M) ( $\varnothing$  100) or N) ( $\varnothing$  120) on the motor support C) close to the delivery hole using the screws provided in the accessories bag (Fig. 3).
- 4) Install the motor support C) next to the delivery hole using the screw anchors provided in the accessories bag (Fig. 4).
- 5) Perform the electric connections (Fig. 5), tighten the electrical cord using the cable clamps provided and reinstall flange B) and grille A), making sure that the screws are correctly tightened.

## Maintenance

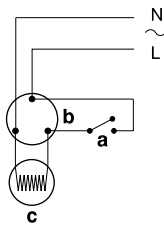
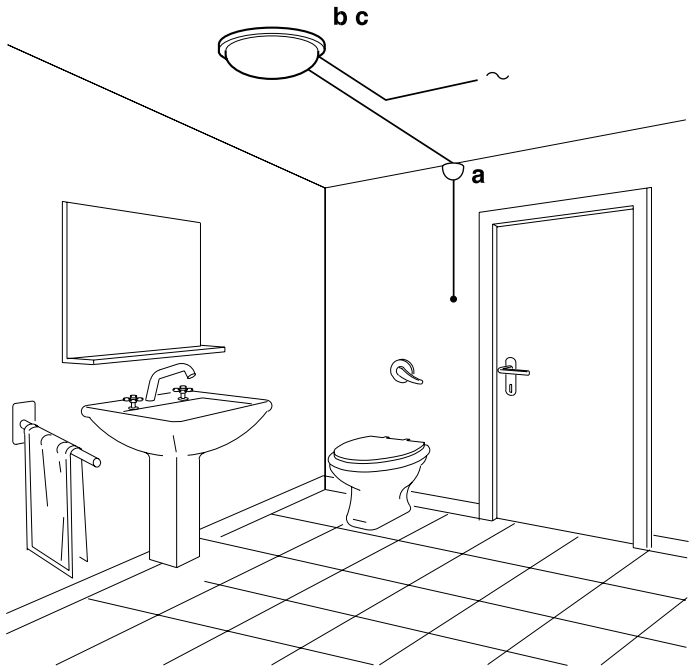
All units come with a mechanical filter fitted on the intake port. This filter must be cleaned following the procedure described here below.

- 1) Remove the filter support E) from the unit following the instructions provided in Fig. 7).
- 2) Disassemble the metal filter F) from the filter support E) (Fig. 8), being careful not to deform it. Wash it with detergent or in the washing machine.
- 3) Carefully clean the filter support E) and reassemble it in its location.

FOR G.B.

- a) Light switch
- b) Ceiling rose
- c) Light fitting

Fig. 9



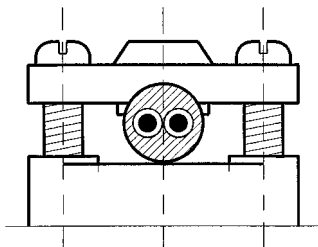


Posizionamento per dispositivo fermacavo  
Positioning for cable fastener device  
Positionnement pour dispositif arrêt-câble  
Wervendung der Zusentiastung  
Colocacion para el dispositivo de paro del cable  
Posicionamiento para dispositivo segura-cabo  
Plaatsing van de Trekontasting  
Positionering för kabelhällaranordning

وضعية القطعة المثبتة للسلك

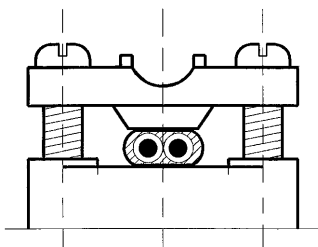
- Per cavo a sezione circolare Tipo H03 VV-F
- For circular section cable Type H05 VV-F
- Pour cable à section circulaire Type H03 VV-F
- Bei rundem Kabel Typ H03 VV-F
- Para cable de sección circular Tipo H03 VV-F
- Para cabo com secção circular Tipo H03 VV-F
- Voor een ronde kabel Type H03 VV-F
- Vid runda ledningar Typ H03 VV-F

لسلك ذو مقطع دائري نوع H03 VV-F



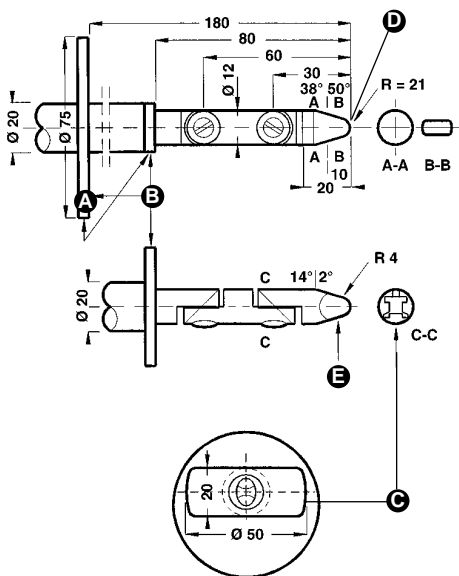
- Per cavo a sezione piatta Tipo H03 VVH2-F
- For flat section cable Type H05 VVH2-F
- Pour cable à section plate Type H03 VVH2-F
- Bei flachem Kabel Typ H03 VVH2-F
- Para cable de sección plana Tipo H03 VVH2-F
- Para cabo com secção chata Tipo H02VV-F
- Voor een platte kabel Type H03 VVH2-F
- Vid flata ledningar Typ H03 VVH2-F

لسلك ذو مقطع مسطح نوع H03 VVH2-F



**Dito di prova**  
**Finger gauge**  
**Doigt d'essai**  
**Prüffinger**  
**Calibre de ensayo en forma de dedo**  
**Dedo de prova**  
**Vingervorming mechanism element**  
**Fingerformat mitt**

إصبع الإختبار



<p><b>A</b></p>	<p>Piano d'arresto          Stop plate          Plaque d'arrêt          Anschlagplatte          Piano de parada          Piano de paragem          Stoplaat          Anslagsplatta          سطح التوقف</p>	<p><b>C</b></p>	<p>Sezione          Section          Copue          Schnitt          Seccion          Secção          Doorsnede          Sektion          مقطع</p>
<p><b>B</b></p>	<p>Isolante          Insulating material          Matière isolante          Isoliermaterial          Material aislante          Isolante          Isolatre materiaal          Isolermaterial          عازل</p>	<p><b>D</b></p>	<p>Sferico          Spherical          Spherique          Kugelig          Esferico          Esférico          Sferisch          Kulformig          كروي</p>
		<p><b>E</b></p>	<p>Cilindrico          Cylindrical          Cylindrique          Zylindrisch          Cilindrico          Cilindric          Cylindrisch          Cylindrisk          أسطواني</p>