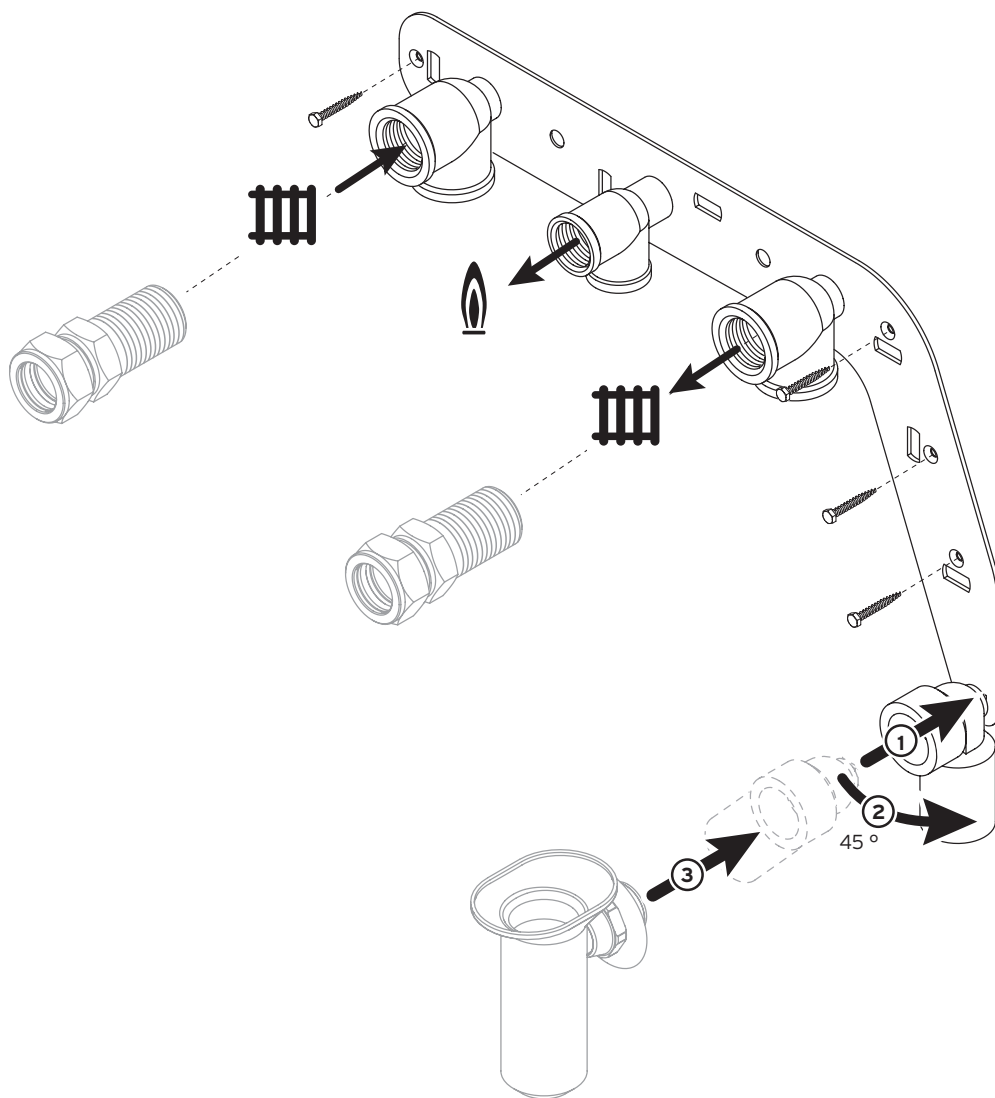
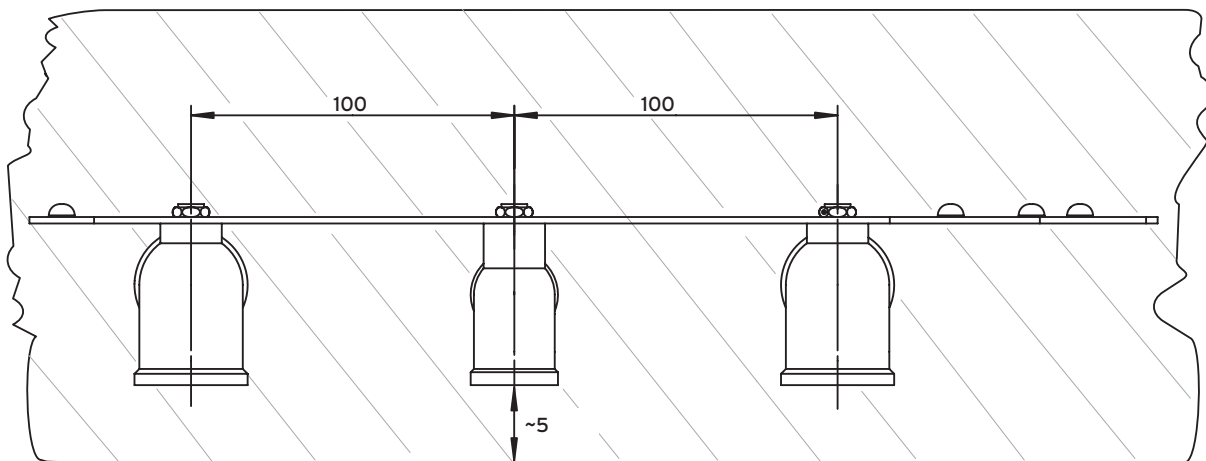


Art. No. 0020077920



Art. No. 0020077921

