

# TOSHIBA

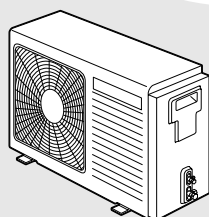
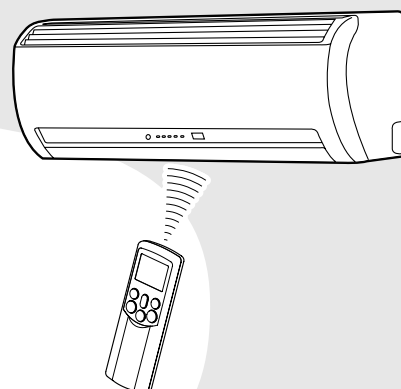
## SERVICE MANUAL

FILE NO. SVM-05016-1

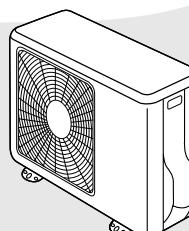
# AIR CONDITIONER

## SPLIT WALL TYPE

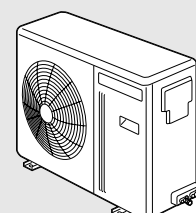
***RAS-24NKHD-E4 / RAS-24UAH-E4***  
***RAS-18NKHD-E4 / RAS-18UAH-E4***  
***RAS-24NKD-E4 / RAS-24UA-E4***  
***RAS-18NKD-E4 / RAS-18UA-E4***  
***RAS-24NKD-AR4 / RAS-24UA-AR4***  
***RAS-18NKD-AR4 / RAS-18UA-AR4***  
***RAS-24NKDX4 / RAS-24UAX4***  
***RAS-18NKDX4 / RAS-18UAX4***  
***RAS-24NKDX4-T / RAS-24UAX3-T1***  
***RAS-18NKDX4-T2 / RAS-18UAX4-T2***



**18 Class**  
**(Heat pump model)**



**18 Class**  
**(Cooling only model)**



**24 Class**

**June 2005**

# CONTENTS

## 1. SPECIFICATIONS

### 2. CONSTRUCTION VIEWS

- 2-1 Indoor Unit
- 2-2 Outdoor Unit (RAS-24UAH-E4, RAS-24UA-E4, RAS-24UAX4, RAS-24UA-AR4, RAS-24UAX3-T1, RAS-18UAX4-T2)
- 2-3 Outdoor Unit (RAS-18UAH-E4)
- 2-4 Outdoor Unit (RAS-18UA-E4, RAS-18UAX4, RAS-18UA-AR4)

### 3. WIRING DIAGRAM

- 3-1 RAS-24NKHD-E4 / RAS-24UAH-E4
- 3-2 RAS-18NKHD-E4 / RAS-18UAH-E4
- 3-3 RAS-24NKD-E4 / RAS-24UA-E4, RAS-24NKD-AR4 / RAS-24UA-AR4  
RAS-24NKDX4 / RAS-24UAX4
- 3-4 RAS-24NKDX4-T / RAS-24UAX3-T1
- 3-5 RAS-18NKD-E4 / RAS-18UA-E4, RAS-18NKDX4 / RAS-18UAX4  
RAS-18NKD-AR4 / RAS-18UA-AR4
- 3-6 RAS-18NKDX4-T2 / RAS-18UAX4-T2

### 4. SPECIFICATION OF ELECTRICAL PARTS

- 4-1 Indoor Unit (RAS-24NKHD-E4, RAS-18NKHD-E4)
- 4-2 Outdoor Unit (RAS-24UAH-E4)
- 4-3 Outdoor Unit (RAS-18UAH-E4)
- 4-4 Indoor Unit (RAS-24NKD-E4, RAS-24NKDX4, RAS-24NKD-AR4, RAS-24NKDX4-T  
RAS-18NKD-E4, RAS-18NKDX4, RAS-18NKD-AR4, RAS-18NKDX4-T2)
- 4-5 Outdoor Unit (RAS-24UA-E4, RAS-24UAX4, RAS-24UAX3-T1)
- 4-6 Outdoor Unit (RAS-24UA-AR4)
- 4-7 Outdoor Unit (RAS-18UAX4, RAS-18UA-E4)
- 4-8 Outdoor Unit (RAS-18UA-AR4)
- 4-9 Outdoor Unit (RAS-18UAX4-T2)

### 5. REFRIGERATION CYCLE DIAGRAM

- 5-1 RAS-24NKHD-E4 / RAS-24UAH-E4
- 5-2 RAS-18NKHD-E4 / RAS-18UAH-E4
- 5-3 RAS-24NKD-E4 / RAS-24UA-E4  
RAS-24NKDX4 / RAS-24UAX4, RAS-24NKDX4-T / RAS-24UAX3-T1
- 5-4 RAS-18NKD-E4 / RAS-18UA-E4  
RAS-18NKDX4 / RAS-18UAX4
- 5-5 RAS-18NKD-AR4 / RAS-18UA-AR4
- 5-6 RAS-24NKD-AR4 / RAS-24UA-AR4
- 5-7 RAS-18NKDX4-T2 / RAS-18UAX4-T2

### 6. CONTROL BLOCK DIAGRAM

- 6-1 RAS-24NKHD-E4, RAS-18NKHD-E4
- 6-2 RAS-18NKD-E4 / RAS-18UA-E4, RAS-18NKDX4 / RAS-18UAX4  
RAS-18NKD-AR4 / RAS-18UA-AR4, RAS-18NKDX4-T2 / RAS-18UAX4-T2  
RAS-24NKD-E4 / RAS-24UA-E4, RAS-24NKDX4 / RAS-24UAX4  
RAS-24NKD-AR4 / RAS-24UA-AR4, RAS-24NKDX4-T / RAS-24UAX3-T1

**7. OPERATION DESCRIPTION**

- 7-1 Outline of Air Conditioner Control
- 7-2 Description of Operation Circuit
- 7-3 Hi POWER Mode
- 7-4 High-Temperature Limit Control
- 7-5 Low-Temperature Limit Control
- 7-6 Defrosting Operation
- 7-7 Auto Restart Function
- 7-8 Filter Check Lamp
- 7-9 Self-Cleaning function
- 7-10 QUIET Mode
- 7-11 COMFORT SLEEP mode

**8. INSTALLATION PROCEDURE**

- 8-1 Safety Cautions
- 8-2 Installation Diagram of Indoor and Outdoor Units
- 8-3 Installation
- 8-4 Indoor Unit
- 8-5 Outdoor Unit
- 8-6 How to Set Remote Control Selector Switch
- 8-7 Others

**9. TROUBLESHOOTING CHART**

- 9-1 Troubleshooting Procedure
- 9-2 Basic Check Items
- 9-3 Primary Judgement
- 9-4 Self-Diagnosis by Remote Control (Check Code)
- 9-5 How to Diagnose Faulty Part
- 9-6 Troubleshooting for Indoor Unit
- 9-7 Troubleshooting for Wiring (Interconnect cable and Serial Signal Wire)
- 9-8 Troubleshooting for Air Purifier and Minus Ion
- 9-9 Troubleshooting for P.C. Board
- 9-10 Troubleshooting for Remote Control

**10. PARTS REPLACEMENT**

- 10-1 Indoor Unit
- 10-2 Outdoor Unit (RAS-24UAH-E4, RAS-24UA-E4, RAS-24UAX4, RAS-24UA-AR4  
RAS-24UAX3-T1, RAS-18UAX4-T2)
- 10-3 Outdoor Unit (RAS-18UAH-E4)
- 10-4 Outdoor Unit (RAS-18UA-E4, RAS-18UAX4, RAS-18UA-AR4)

**11. EXPLODED VIEWS AND PARTS LIST**

- 11-1 Indoor Unit (E - Parts Assy)
- 11-2 Indoor Unit
- 11-3 Outdoor Unit (RAS-24UAH-E4)
- 11-4 Outdoor Unit (RAS-18UAH-E4)
- 11-5 Outdoor Unit (RAS-24UA-E4, RAS-24UAX4, RAS-24UAX3-T1)
- 11-6 Outdoor Unit (RAS-24UA-AR4)
- 11-7 Outdoor Unit (RAS-18UAX4-T2)
- 11-8 Outdoor Unit (RAS-18UA-E4, RAS-18UAX4)
- 11-9 Outdoor Unit (RAS-18UA-AR4)

# 1. SPECIFICATIONS

ITEM	MODEL	RAS-24NKHD-E4 RAS-24UAH-E4				RAS-24NKD-E4 RAS-24UA-E4		RAS-24NKDX4 RAS-24UAX4		RAS-24NKD-AR4 RAS-24UA-AR4		RAS-24NKDX4-T RAS-24UAX3-T1
		Cooling		Heating		Cooling		Cooling		Cooling		Cooling
		220 V	240 V	220 V	240 V	220 V	240 V	220 V	240 V	220 V	240 V	220 V
Capacity	kW	220 V	240 V	220 V	240 V	220 V	240 V	220 V	240 V	220 V	240 V	220 V
		6.30	6.30	6.80	6.90	6.40	6.45	6.40	6.45	6.40	6.45	6.40
Power source	Phase	1 $\emptyset$										
	V	220 – 240										220
	Hz	50										
Power consumption	W	2430	2510	2390	2490	2350	2440	2350	2440	2350	2440	2350
Power factor	%	96	92	94	90	99	90	99	90	96	86	99
Running current	A	220 V	240 V	220 V	240 V	220 V	240 V	220 V	240 V	220 V	240 V	220 V
		Indoor/Outdoor	0.3/11.2	0.3/11.1	0.3/11.2	0.3/11.28	0.3/10.5	0.3/11.0	0.3/10.50	0.3/11.0	0.3/10.8	0.3/11.5
Starting current	A	60			67		67		59		67	
Moisture removal	lit/h	2.5				2.7						
Noise	Indoor (H/M/L)	dB 45/43/41/39/37										
	Outdoor (220 – 240 V)	56-57		57-58		56-57					56	
Refrigerant	Name of refrigerant	R22										
	Rated amount	1.75			1.70		1.80		1.70		1.70	
Refrigerant control		Capillary tube										
Interconnection pipe	Gas side size	mm $\emptyset$ 15.88										
	Connection type	Flare connection										
	Liquid side size	mm $\emptyset$ 6.35										
	Connection type	Flare connection										
	Maximum length (One way)	m 15*1										
	Maximum height difference	m 25*2										
	Maximum height difference	m 10										
<b>INDOOR UNIT</b>		<b>RAS-24NKHD-E4</b>				<b>RAS-24NKD-E4</b>		<b>RAS-24NKDX4</b>		<b>RAS-24NKD-AR4</b>		<b>RAS-24NKDX4-T</b>
Dimensions	Height	mm 298										
	Width	mm 998										
	Depth	mm 220										
Net weight	kg	14										
Evaporator type		Finned tube										
Indoor fan type		Cross flow fan										
Air volume	High fan	m <sup>3</sup> /h 900										
	Medium fan	750	800	750								
	Low fan	600	650	600								
Fan motor output	W	30										
Air filter		Honeycomb woven filter with PP frame										
<b>OUTDOOR UNIT</b>		<b>RAS-24UAH-E4</b>				<b>RAS-24UA-E4</b>		<b>RAS-24UAX4</b>		<b>RAS-24UA-AR4</b>		<b>RAS-24UAX3-T1</b>
Dimensions	Height	mm 690										
	Width	mm 880										
	Depth	mm 310										
Net weight	kg	61				58		59		58		
Condenser type		Finned tube										
Outdoor fan type		Propeller fan										
Airflow volume	m <sup>3</sup> /h	3380	3560	3380	3560	3380	3560	3380	3560	3380	3560	3380
Fan motor output	W	65										
Compressor	Model	2JS386D5BB02				PH400X3CS-4KT1				PH400X3CS-4KTS1		PH400X3CS-4KT1
	Output	W 1800				1800				1900		1800
Safety device		IOL, Td Sensor				IOL						
Louver type		Automatic louver										
Usable outdoor temperature range	°C	15 ~ 43		-10 ~ 24		15 ~ 43		21 ~ 43		21 ~ 52		21 ~ 43

Note: \* 1 Charge less pipe

\* 2 Maximum pipe

ITEM	MODEL	RAS-18NKHD-E4 RAS-18UAH-E4				RAS-18NKD-E4 RAS-18UA-E4		RAS-18NKDX4 RAS-18UAX4		RAS-18NKD-AR4 RAS-18UA-AR4		RAS-18NKDX4-T2 RAS-18UAX4-T2		
		Cooling		Heating		Cooling		Cooling		Cooling		Cooling		
		220 V	240 V	220 V	240 V	220 V	240 V	220 V	240 V	220 V	240 V	220 V		
Capacity	kW	5.05	5.05	5.80	5.90	5.20	5.25	5.20	5.25	5.20	5.25	5.10		
Power source	Phase	1Ø												
	V	220 – 240										220		
	Hz	50												
Power consumption	W	1920	2040	1800	1950	1910	1990	1910	1990	1920	2040	1560		
Power factor	%	95	88	94	86	92	85	92	85	95	85	98		
Running current	Indoor/Outdoor	220 V	240 V	220 V	240 V	220 V	240 V	220 V	240 V	220 V	240 V	220 V		
	A	0.2/9.0	0.2/9.5	0.2/8.5	0.2/9.3	0.2/9.25	0.2/9.50	0.2/9.25	0.2/9.50	0.2/9.0	0.2/9.8	0.3/6.94		
Starting current	A	45				42				35				
Moisture removal	lit/h	2												
Noise	Indoor (H/M/L)	dB												
	Outdoor (220 – 240 V)	52-53		53-54		51	52	51	52	51	52	56		
Refrigerant	Name of refrigerant	R22												
	Rated amount	kg				1.17				1.20		1.47		
Refrigerant control	Capillary tube													
Interconnection pipe	Gas side size	mm										Ø15.88		
	Connection type	Flare connection												
	Liquid side size	mm												
	Connection type	Flare connection												
	Maximum length (One way)	m												
	Maximum height difference	m												
			8											
<b>INDOOR UNIT</b>		<b>RAS-18NKHD-E4</b>				<b>RAS-18NKD-E4</b>		<b>RAS-18NKDX4</b>		<b>RAS-18NKD-AR4</b>		<b>RAS-18NKDX4-T2</b>		
Dimensions	Height	mm										298		
	Width	mm										998		
	Depth	mm										220		
Net weight	kg	14												
Evaporator type	Finned tube													
Indoor fan type	Cross flow fan													
Air volume	High fan	m³/h	750	800	750				900					
	Medium fan	m³/h	650	700	650				650					
	Low fan	m³/h	530	570	530				530					
Fan motor output	W	30												
Air filter	Honeycomb woven filter with PP frame													
<b>OUTDOOR UNIT</b>		<b>RAS-18UAH-E4</b>				<b>RAS-18UA-E4</b>		<b>RAS-18UAX4</b>		<b>RAS-18UA-AR4</b>		<b>RAS-18UAX4-T2</b>		
Dimensions	Height	mm				538				550				690
	Width	mm				830				780				880
	Depth	mm				300				270				310
Net weight	kg	54				41		41		44		51		
Condenser type	Finned tube													
Outdoor fan type	Propeller fan													
Airflow volume	m³/h	2105	2310	2105	2310	2120	2200	2120	2200	2120	2200	3380		
Fan motor output	W	65				42				65				
Compressor	Model	2JS350D5DA02				PH340X3C-4KT1				PH340X3C-4KTS1		PH290X2C-4FT1		
	Output	W				1700				1500		1800	1700	
Safety device	IOL, Td Sensor				IOL									
Louver type	Automatic louver													
Usable outdoor temperature range	°C	15 ~ 43	-10 ~ 24		15 ~ 43		15 ~ 43		21 ~ 52		21 ~ 43			

Note: \* 1 Charge less pipe

\* 2 Maximum pipe

**Note : 1**

- Capacity is based on the following temperature conditions.

Temperature		Condition	JIS B8615-1	
			Cooling	Heating
Indoor unit inlet air temperature	(DB)		27°C	20°C
	(WB)		19°C	15°C
Outdoor unit inlet air temperature	(DB)		35°C	7°C
	(WB)		24°C	6°C

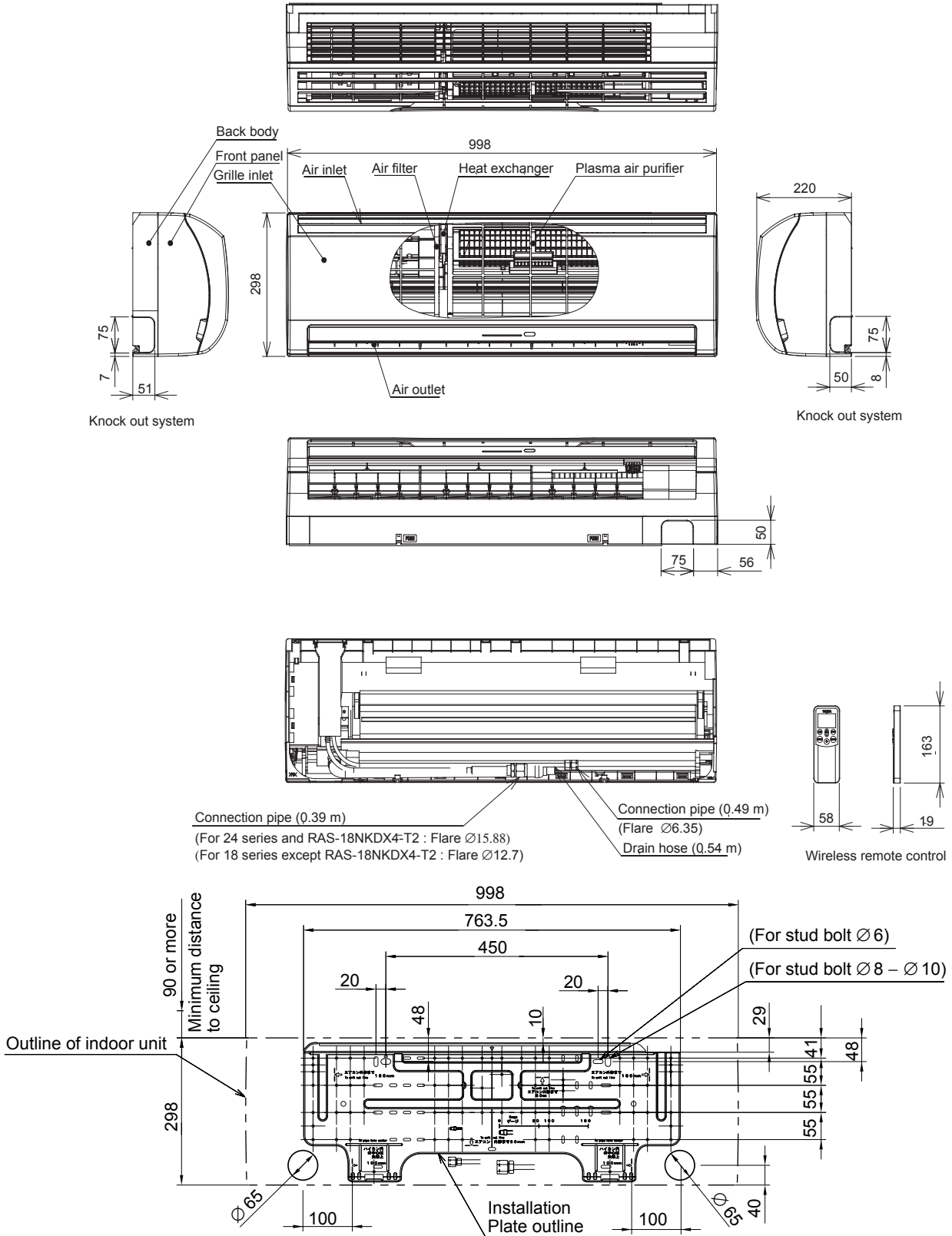
**Note : 2**

- Charge refrigerant according to the table below.

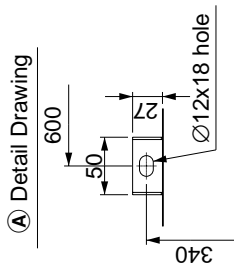
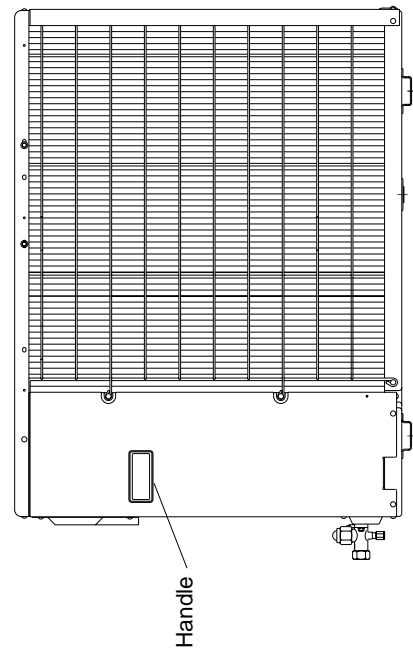
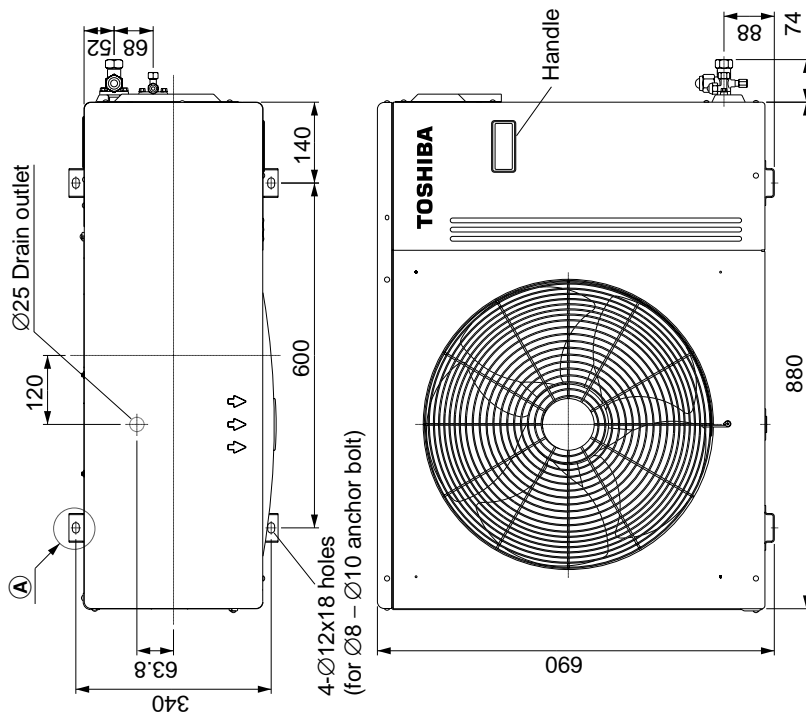
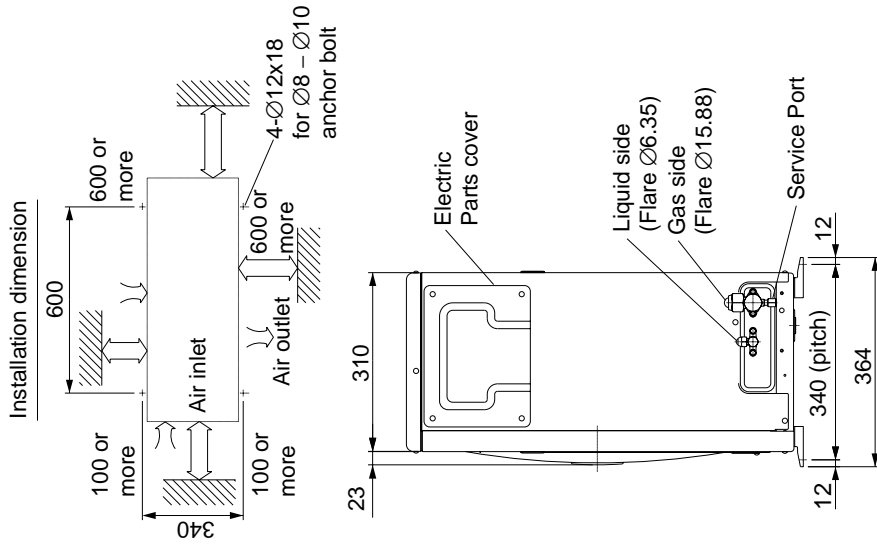
	Refrigerant	RAS-24NKHD-E4 / RAS-24UAH-E4 RAS-24NKD-E4 / RAS-24UA-E4 RAS-24NKDX4 / RAS-24UAX4 RAS-24NKD-AR4 / RAS-24UA-AR4 RAS-24NKDX4-T / RAS-24UAX3-T1	RAS-18NKHD-E4 / RAS-18UAH-E4 RAS-18NKD-E4 / RAS-18UA-E4 RAS-18NKDX4 / RAS-18UAX4 RAS-18NKD-AR4 / RAS-18UA-AR4 RAS-18NKDX4-T2 / RAS-18UAX4-T2
1	No need to charge extra refrigerant	15 m or less	15 m or less
2	Need to charge extra refrigerant	Over 15 m up to 25 m (30 g/m)	Over 15 m up to 20 m (20 g/m)

## 2. CONSTRUCTION VIEWS

### 2-1. Indoor Unit

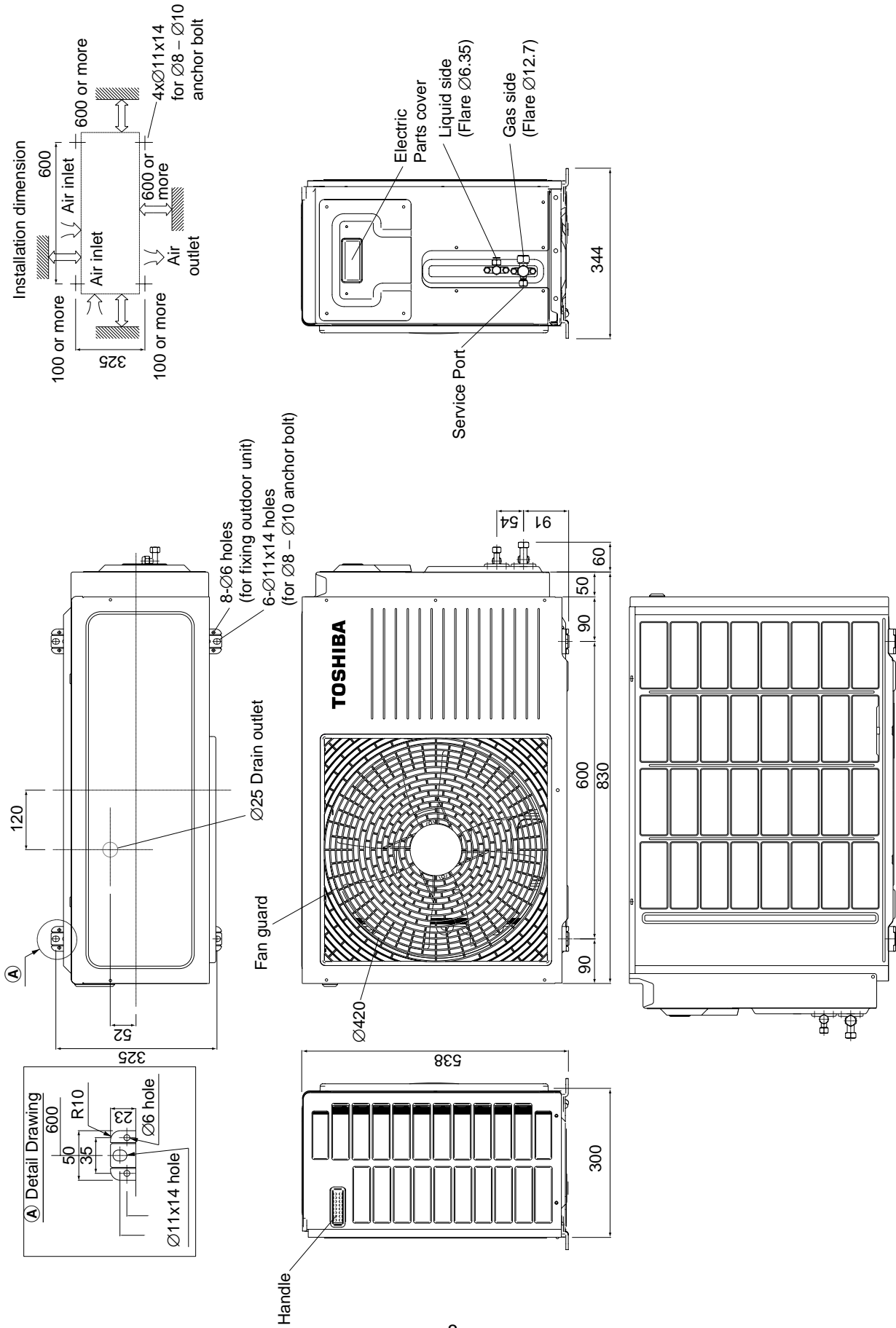


**2-2. Outdoor Unit (RAS-24UAH-E4, RAS-24UA-E4, RAS-24UAX4, RAS-24UA-AR4, RAS-24UAX3-T1, RAS-18UAX4-T2)**

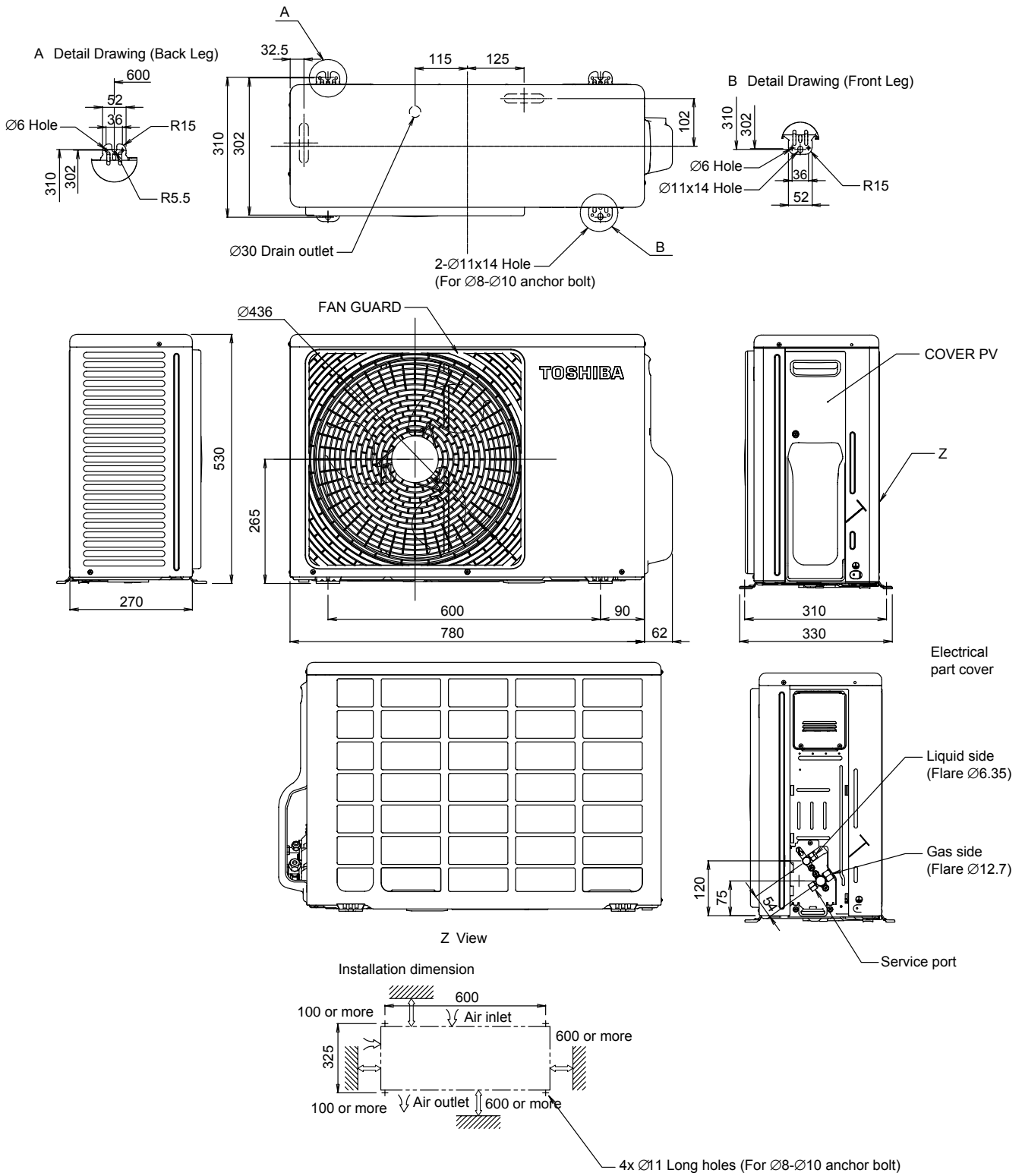




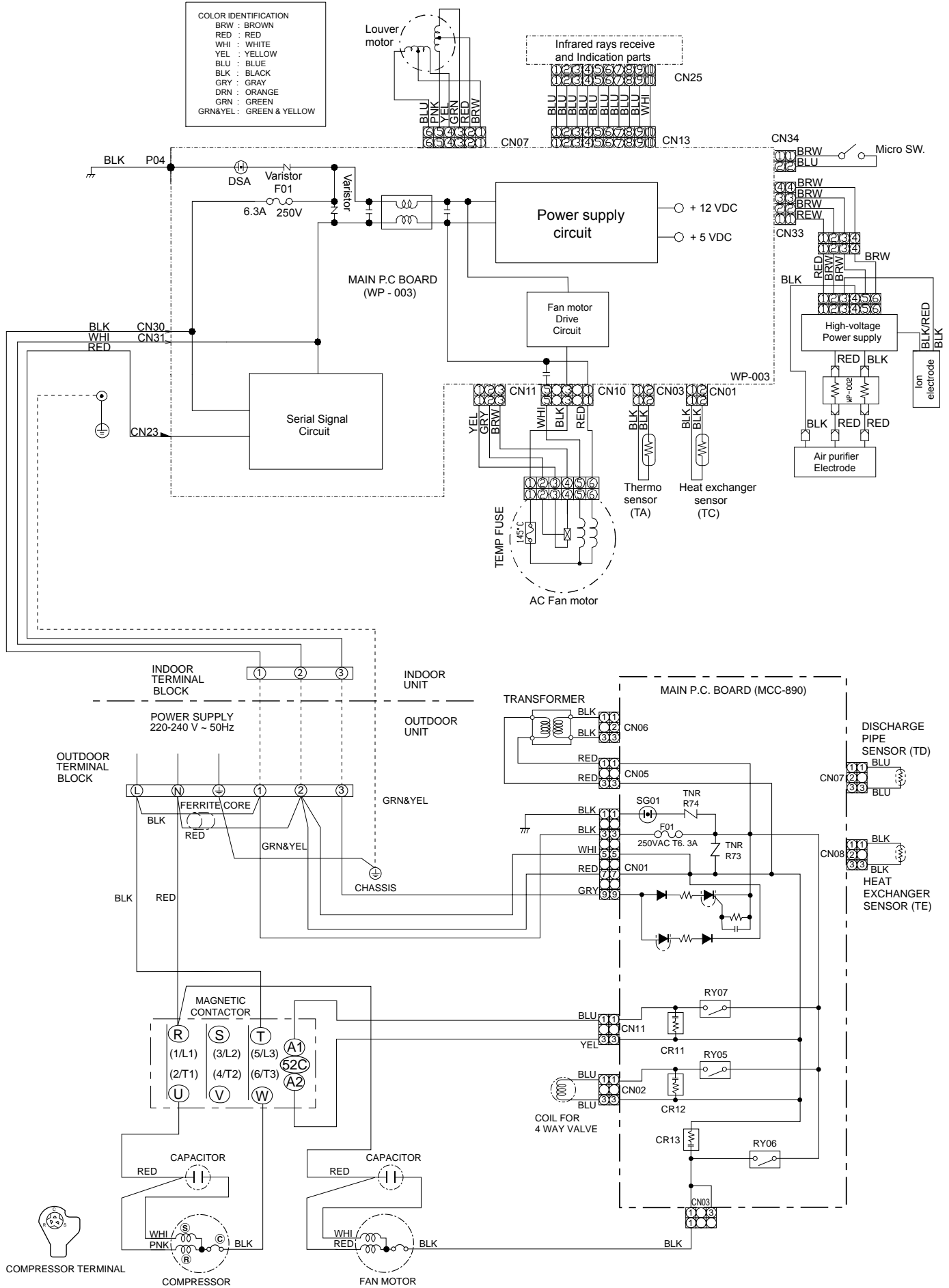
### 2-3. Outdoor Unit (RAS-18UAH-E4)



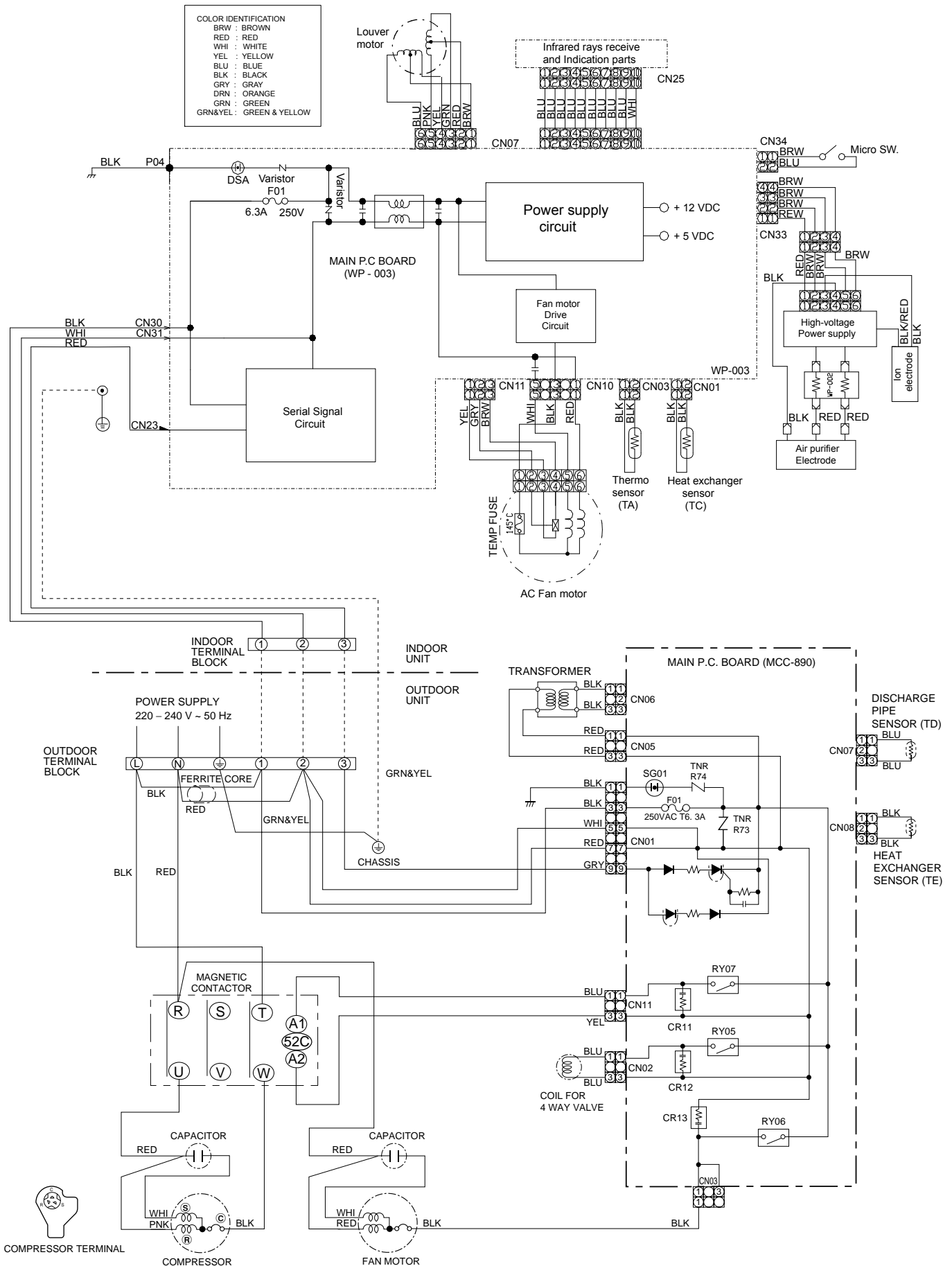
2-4. Outdoor Unit (RAS-18UA-E4, RAS-18UAX4, RAS-18UA-AR4)



## 3-1. RAS-24NKHD-E4 / RAS-24UAH-E4

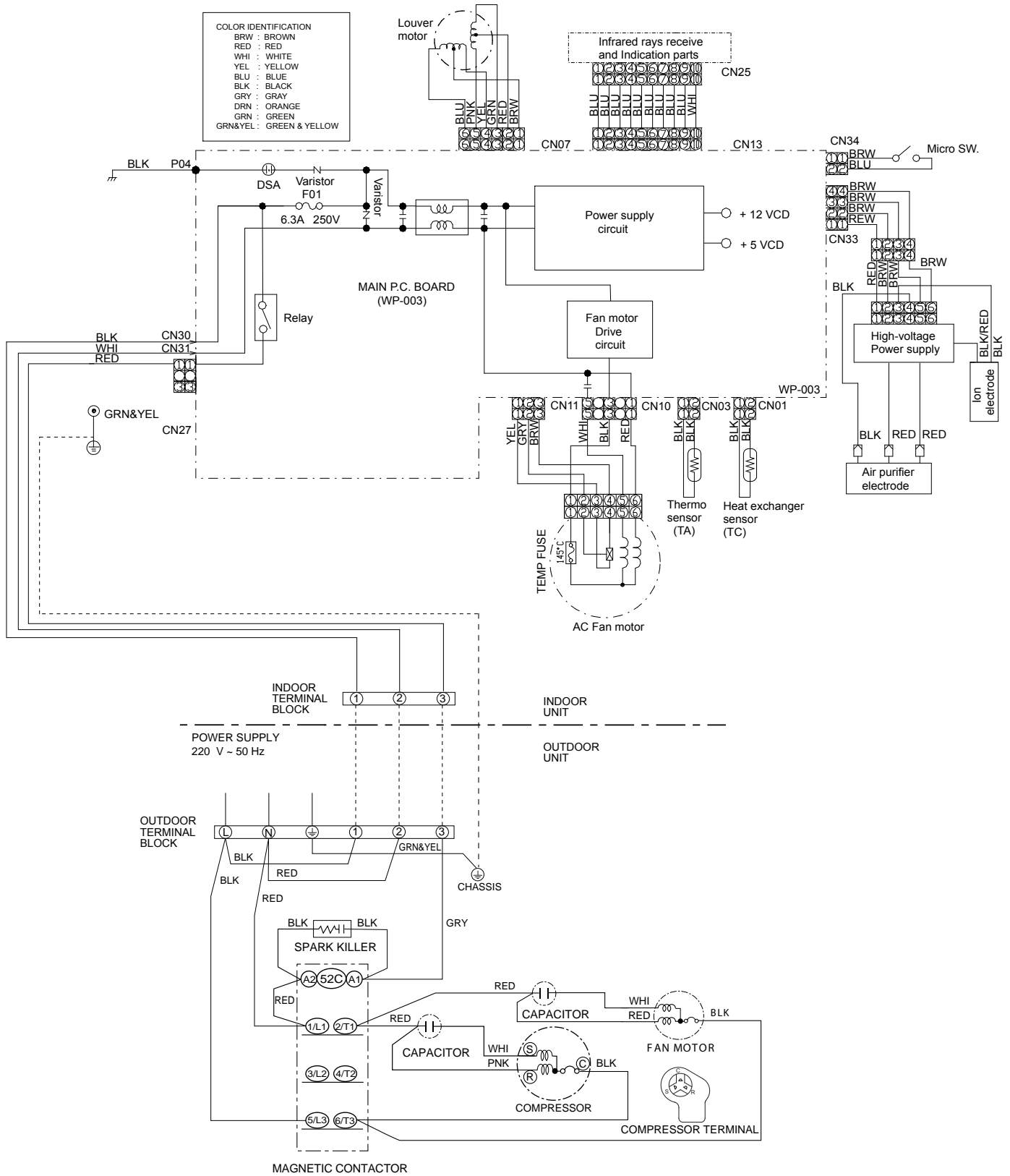


3-2. RAS-18NKHD-E4 / RAS-18UAH-E4

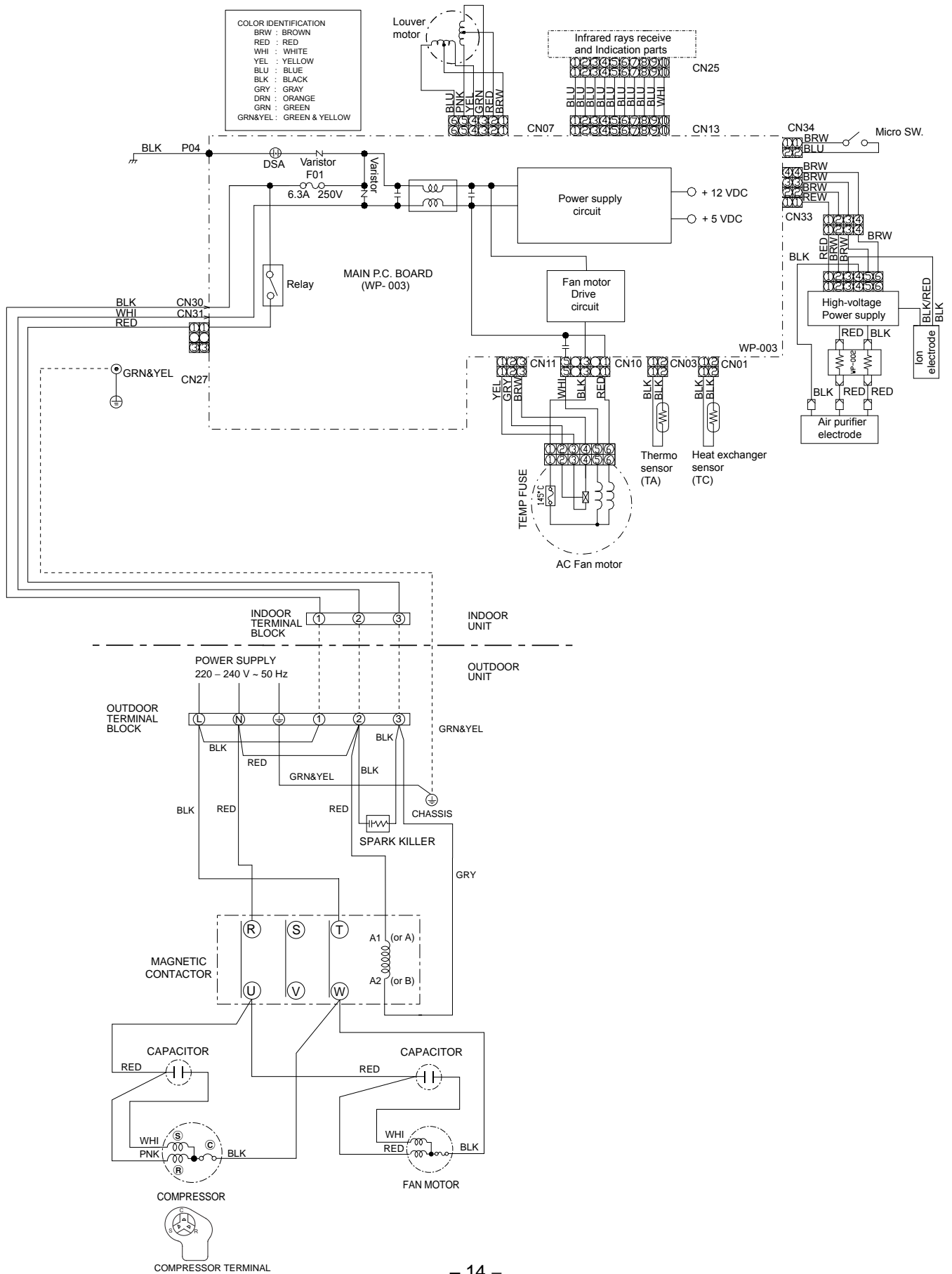




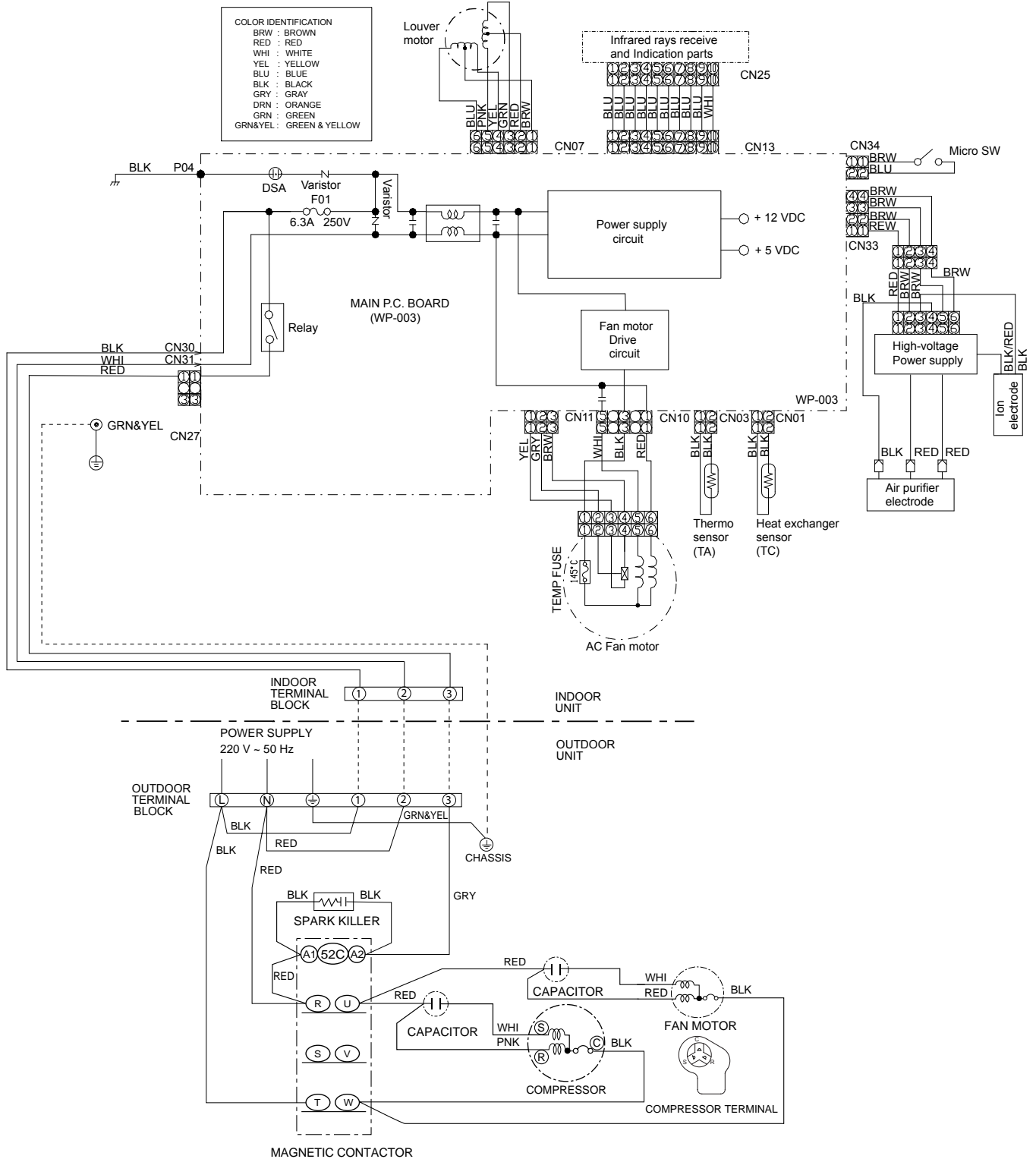
3-4. RAS-24NKDX4-T / RAS-24UAX3-T1



**3.5 RAS-18NKD-E4 / RAS-18UA-E4, RAS-18NKDX4 / RAS-18UAX4  
RAS-18NKD-AR4 / RAS-18UA-AR4**



3-6. RAS-18NKDX4-T2 / RAS-18UAX4-T2





## 4. SPECIFICATION OF ELECTRICAL PARTS

### 4-1. Indoor Unit (RAS-24NKHD-E4, RAS-18NKHD-E4)

No.	Parts name	Type	Specifications
1	Fan motor (for indoor)	AFS-220-31A	AC 200 – 240V, 31W
2	Thermo sensor (TA-sensor)	—	10 k $\Omega$ at 25°C
3	Micro Power Module (M01)	$\mu$ RM1260V	DC 390 V, Secondary DC 12 V
4	Microcontroller	TMP87CM40AN	
5	Heat exchanger sensor (TC-sensor)	—	10 k $\Omega$ at 25°C
6	Line filter (L01)	LC*SS11V-06270	27mH, 600mA
7	Diode (DB01)	D3SBA60	4 A, 600 V
8	Capacitor (C63)	KMH400VSSN47M22S	4.7 $\mu$ F, 400 V
9	Fuse (F01)	BET6.3A	T6.3 A, 250 V
10	Varistor (R21, R22)	15G561K	560 V
11	Resistor (R319)	RF-2TK5R6	5.6 $\Omega$ , 2 W
12	Louver motor	MP35EA12	Output (Rated) 2 W, 10 poles, 1 phase, DC 12 V

### 4-2. Outdoor Unit (RAS-24UAH-E4)

No.	Parts name	Type	Specifications		
1	Compressor	2JS386D5BB02	Output (Rated) 2200 W, 2 poles, 1 phase, 220 – 240 V, 50 Hz		
			Winding resistance ( $\Omega$ ) (at 20°C)	C-R	C-S
				0.886	1.979
2	Fan motor (for outdoor)	KFG6-71SB5P-T1	Output (Rated) 65 W, 6 poles, 1 phase, 220 – 240 V, 50 Hz		
			Winding resistance ( $\Omega$ ) (at 20°C)	Red-Black	White-Black
				64.4	127.4
3	Running capacitor (for fan motor)	451355L	AC 450 V, 3.5 $\mu$ F		
4	Running capacitor (for compressor)	BUM44X6005C	AC 440 V, 60 $\mu$ F		
5	Solenoid coil (for 4-way valve)	VHV (STF)	AC 220 – 240 V		
6	Thermo sensor	TE / TD	10 k $\Omega$ at 25°C / 50 k $\Omega$ at 25°C		
7	Magnetic contactor	A35	220 – 240 V, 50 Hz		
8	Transformer	TT-05	220 – 240 V		
9	Microcontroller	TMP47C840N			
10	Varistor (R73, R74, R86)	15G471K	470 V		
11	Fuse (F01)	MT3	T6.3 A, 250 V		

**4-3. Outdoor Unit (RAS-18UAH-E4)**

No.	Parts name	Type	Specifications		
1	Compressor	2JS350D5DA02	Output (Rated) 1500 W, 2 poles, 1 phase, 220 – 240 V, 50 Hz		
			Winding resistance ( $\Omega$ ) (at 20°C)	C-R	C-S
				0.981	2.845
2	Fan motor (for outdoor)	KFG6-71SB5P-T3	Output (Rated) 65 W, 6 poles, 1 phase, 220 – 240 V, 50 Hz		
			Winding resistance ( $\Omega$ ) (at 20°C)	Red-Black	White-Black
				64.4	127.4
3	Running capacitor (for fan motor)	451205L	AC 450 V, 2 $\mu$ F		
4	Running capacitor (for compressor)	BUM44X4505B	AC 440 V, 45 $\mu$ F		
5	Solenoid coil (for 4-way valve)	VHV (STF)	AC 220 – 240 V		
6	Thermo sensor	TE / TD	10 k $\Omega$ at 25°C / 50 k $\Omega$ at 25°C		
7	Magnetic contactor	CLK-26J	220 – 240 V, 50 Hz		
8	Transformer	TT-05	220 – 240 V		
9	Microcontroller	TMP47C840N			
10	Varistor (R73, R74, R86)	15G471K	470 V		
11	Fuse (F01)	MT3	T6.3 A, 250 V		

**4-4. Indoor Unit (RAS-24NKD-E4, RAS-24NKDX4, RAS-24NKD-AR4, RAS-24NKDX4-T, RAS-18NKD-E4, RAS-18NKDX4, RAS-18NKD-AR4, RAS-18NKDX4-T2)**

No.	Parts name	Type	Specifications	
1	Fan motor (for indoor)	AFS-220-31A	AC 200 – 240V, 31W	
2	Thermo sensor (TA-sensor)	—	10 k $\Omega$ at 25°C	
3	Micro Power Module (M01)	$\mu$ RM1260V	DC 390 V, Secondary DC 12 V	
4	Microcontroller	TMP87CM40AN		
5	Heat exchanger sensor (TC-sensor)	—	10 k $\Omega$ at 25°C	
6	Line filter (L01)	LC*SS11V-06270	27mH, 600mA	
7	Diode (DB01)	D3SBA60	4 A, 600 V	
8	Capacitor (C63)	KMH400VSSN47M22S	4.7 $\mu$ F, 400 V	
9	Fuse (F01)	BET6.3A	T6.3 A, 250 V	
10	Varistor (R21, R22)	15G561K	560 V	
11	Resistor (R319)	RF-2TK5R6	5.6 $\Omega$ , 2 W	
12	Louver motor	MP35EA12	Output (Rated) 2 W, 10 poles, 1 phase, DC 12 V	
13	Relay : (RY04)	G5NB-1A	Coil DC 12V, 16.7mA, Contact AC 250V, 1A	

**4-5. Outdoor Unit (RAS-24UA-E4, RAS-24UAX4, RAS-24UAX3-T1)**

No.	Parts name	Type	Specifications		
1	Compressor	PH400X3CS-4KT1	Output (Rated) 2200 W, 2 poles, 1 phase, 220 –240V, 50 Hz		
			Winding resistance ( $\Omega$ ) (at 20 °C)	C-R	C-S
			1.13	2.10	
2	Fan motor (for outdoor)	KFG6-71SB5P-T	Output (Rated) 65 W, 6 poles, 1 phase, 220 –240V, 50 Hz		
			Winding resistance ( $\Omega$ ) (at 20 °C) □	Red-Black	White-Black
			64.4	127.4	
3	Running capacitor (for fan motor)	451355L	AC 450 V, 3.5 $\mu$ F		
4	Running capacitor (for compressor)	BUM44X4505B	AC 440 V, 45 $\mu$ F		
5	Magnetic contactor	A35	220 – 240 V, 50 Hz		

**4-6. Outdoor Unit (RAS-24UA-AR4)**

No.	Parts name	Type	Specifications		
1	Compressor	PH400X3CS-4KTS1	Output (Rated) 2200 W, 2 poles, 1 phase, 220 –240V, 50 Hz		
			Winding resistance ( $\Omega$ ) (at 20 °C) □	C-R	C-S
			1.01	2.32	
2	Fan motor (for outdoor)	MMF-230-65I	Output (Rated) 65 W, 6 poles, 1 phase, 220 –240V, 50 Hz		
			Winding resistance ( $\Omega$ ) (at 20 °C) □	Red-Black	White-Black
			71.2	139.0	
3	Running capacitor (for fan motor)	451305L	AC 450 V, 3.5 $\mu$ F		
4	Running capacitor (for compressor)	SK42CMP60U1-S	AC 420 V, 60 $\mu$ F		
5	Magnetic contactor	A35	220 – 240V, 50 Hz		

**4-7. Outdoor Unit (RAS-18UAX4, RAS-18UA-E4)**

No.	Parts name	Type	Specifications		
1	Compressor	PH340X3C-4KT1	Output (Rated) 1500 W, 2 poles, 1 phase, 220 – 240 V, 50 Hz		
			Winding resistance ( $\Omega$ ) (at 20°C)	C-R	C-S
				1.46	2.47
2	Fan motor (for outdoor)	WLF-240-42A-1	Output (Rated) 42 W, 6 poles, 1 phase, 220 – 240 V, 50 Hz		
			Winding resistance ( $\Omega$ ) (at 20°C)	Red-Black	White-Black
				188	289
3	Running capacitor (for fan motor)	451155L	AC 450 V, 1.5 $\mu$ F		
4	Running capacitor (for compressor)	BUM44X4505B	AC 440 V, 45 $\mu$ F		
5	Magnetic contactor	CLK-26J	220 – 240 V, 50 Hz		

**4-8. Outdoor Unit (RAS-18UA-AR4)**

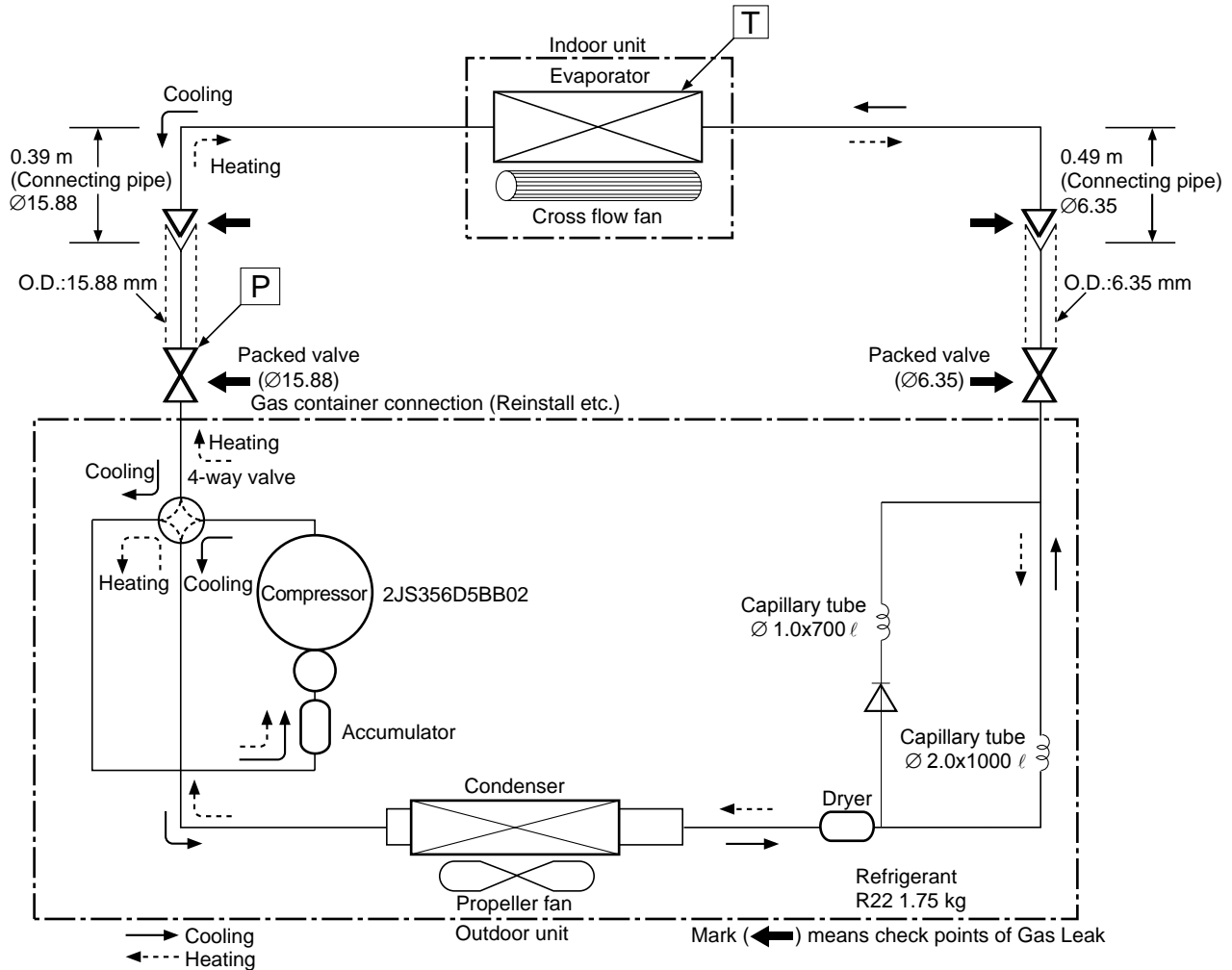
No.	Parts name	Type	Specifications		
1	Compressor	PH340X3C-4KTS1	Output (Rated) 1500 W, 2 poles, 1 phase, 220 – 240 V, 50 Hz		
			Winding resistance ( $\Omega$ ) (at 20°C)	C-R	C-S
				1.23	2.58
2	Fan motor (for outdoor)	WLF-240-42B	Output (Rated) 65 W, 6 poles, 1 phase, 220 – 240 V, 50 Hz		
			Winding resistance ( $\Omega$ ) (at 20°C)	Red-Black	White-Black
				197	255
3	Running capacitor (for fan motor)	451205LQ	AC 450 V, 2 $\mu$ F		
4	Running capacitor (for compressor)	SK42CMP45U1-S	AC 420 V, 45 $\mu$ F		
5	Magnetic contactor	CLK-26J	220 – 240 V, 50 Hz		

**4.9. Outdoor Unit (RAS-18UAX4-T2)**

No.	Parts name	Type	Specifications		
1	Compressor	PH290X2C-4FT1	Output (Rated) 1500 W, 2 poles, 1 phase, 220 – 240 V, 50 Hz		
			Winding resistance ( $\Omega$ ) (at 20°C)	C-R	C-S
				1.71	3.09
2	Fan motor (for outdoor)	KFG6-71SB5P-T	Output (Rated) 65 W, 6 poles, 1 phase, 220 – 240 V, 50 Hz		
			Winding resistance ( $\Omega$ ) (at 20°C)	Red-Black	White-Black
				64.4	127.4
3	Running capacitor (for fan motor)	451355L	AC 450 V, 3.5 $\mu$ F		
4	Running capacitor (for compressor)	BUM44X3505A	AC 440 V, 35 $\mu$ F		
5	Magnetic contactor	CLK-26J	220 – 240 V, 50 Hz		

### 5. REFRIGERATION CYCLE DIAGRAM

#### 5-1. RAS-24NKHD-E4 / RAS-24UAH-E4

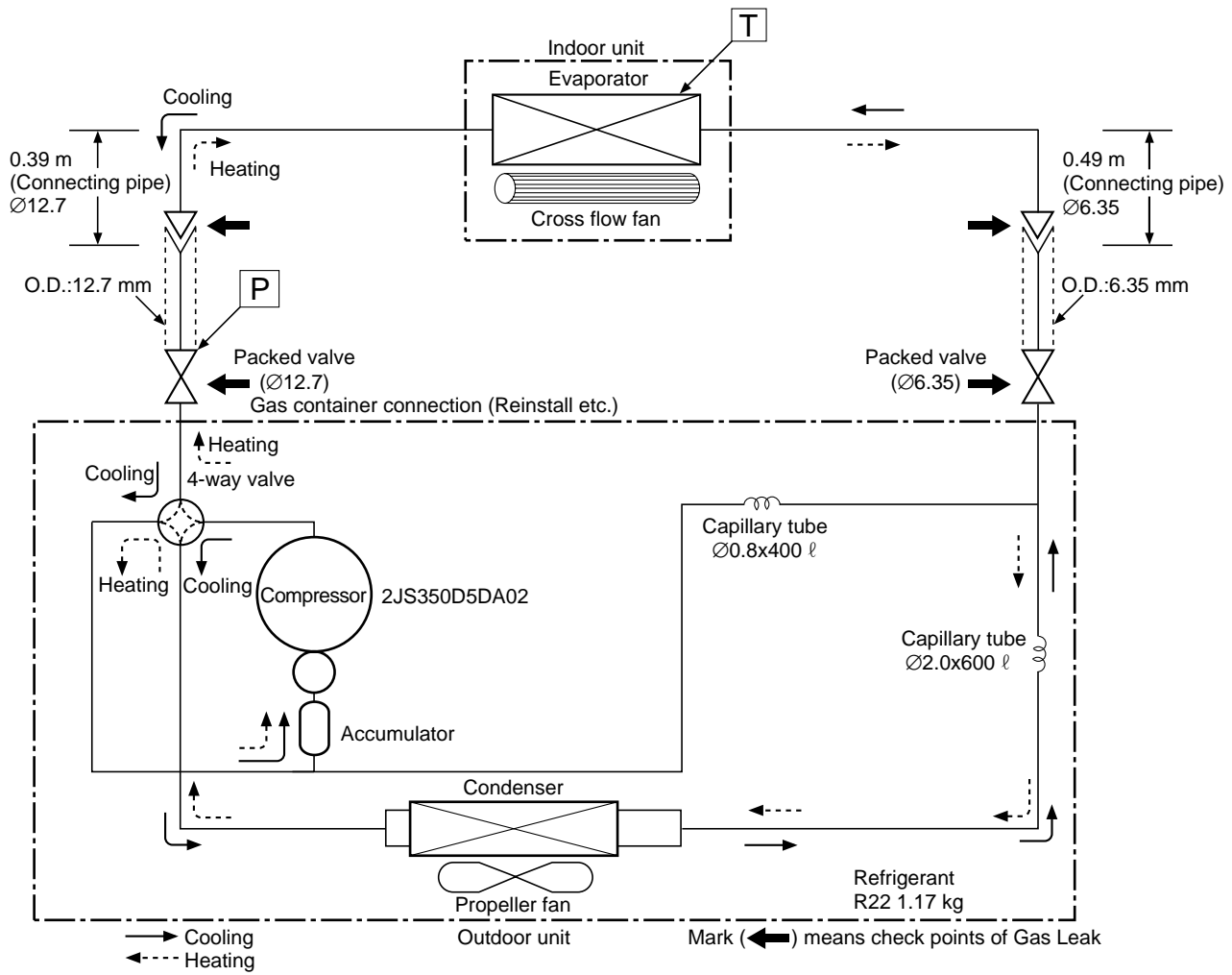


50 Hz		Standard pressure [P] (MPaG)	Surface temp. of heat exchanger interchanging pipe [T] (°C)	Fan speed (indoor)	Ambient temp. conditions DB/WB (°C)	
					Indoor	Outdoor
Heating	Standard	1.65	43.0	High	20/-	7/6
	High temperature*1	2.30 ~ 2.44	52.0 ~ 59.0	Low	27/-	24/18
	Low temperature	1.20	36.0	High	20/-	-10/-10
Cooling	Standard	0.40	11.0	High	27/19	35/24
	High temperature	0.50	12.0	High	32/23	43/26
	Low temperature	0.30	1.0	Low	21/15	21/15

**Note :** Measure the heat exchanger temperature at the center of U-bend. (By means of TC sensor.)

\*1 : During heating overload, the high temperature limit control operation is included.

5-2. RAS-18NKHD-E4 / RAS-18UAH-E4

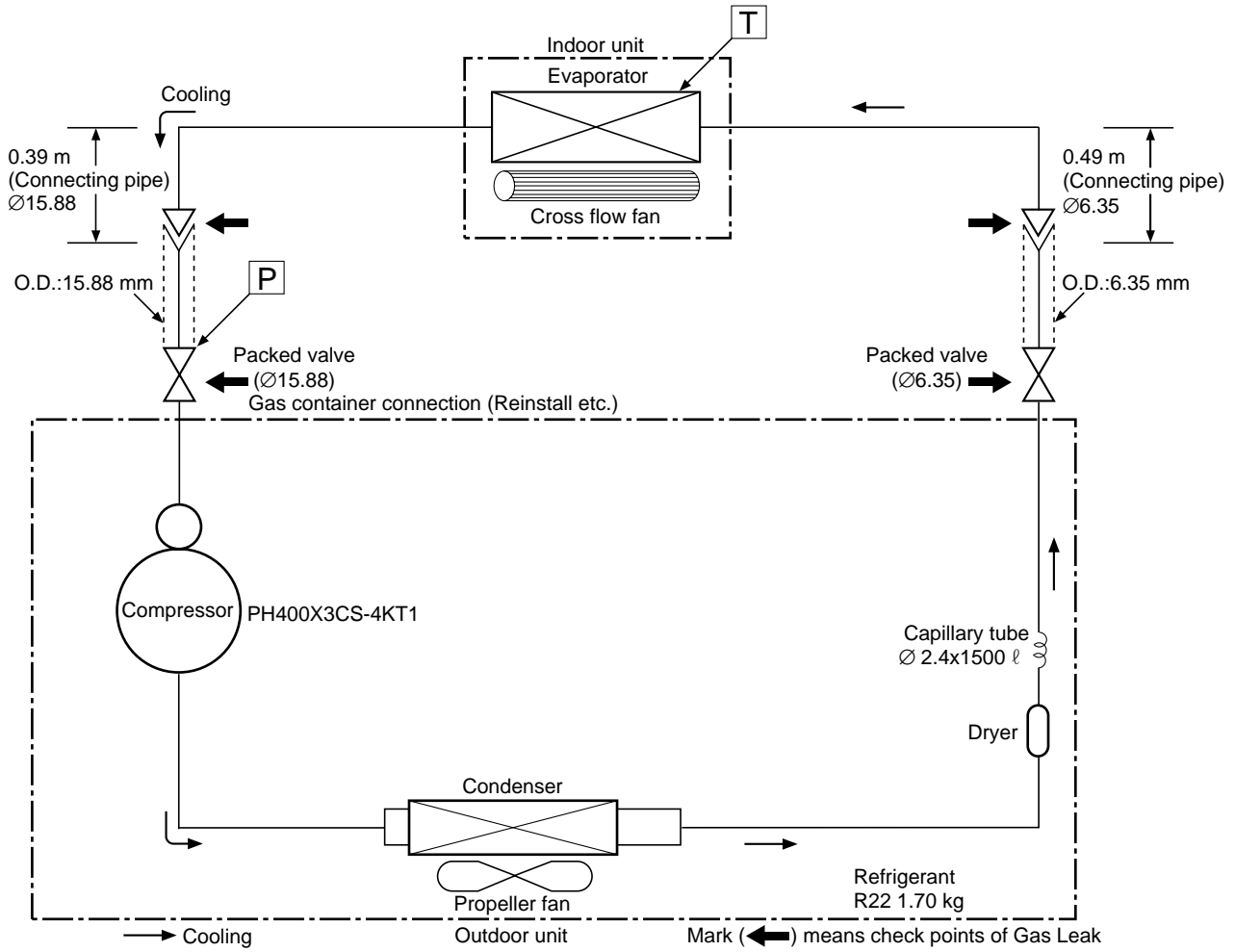


50 Hz		Standard pressure <b>P</b> (MPaG)	Surface temp. of heat exchanger interchanging pipe <b>T</b> (°C)	Fan speed (indoor)	Ambient temp. conditions DB/WB (°C)	
					Indoor	Outdoor
Heating	Standard	1.70	45.0	High	20/–	7/6
	High temperature*1	2.10 ~ 2.26	49.0 ~ 58.0	Low	27/–	24/18
	Low temperature	1.20	34.0	High	20/–	–10/–10
Cooling	Standard	0.40	10.0	High	27/19	35/24
	High temperature	0.50	15.0	High	32/23	43/26
	Low temperature	0.30	1.0	Low	21/15	21/15

**Note** : Measure the heat exchanger temperature at the center of U-bend. (By means of TC sensor.)

\*1 : During heating overload, the high temperature limit control operation is included.

**5-3. RAS-24NKD-E4 / RAS-24UA-E4, RAS-24NKDX4 / RAS-24UAX4,  
RAS-24NKDX4-T / RAS-24UAX3-T1**

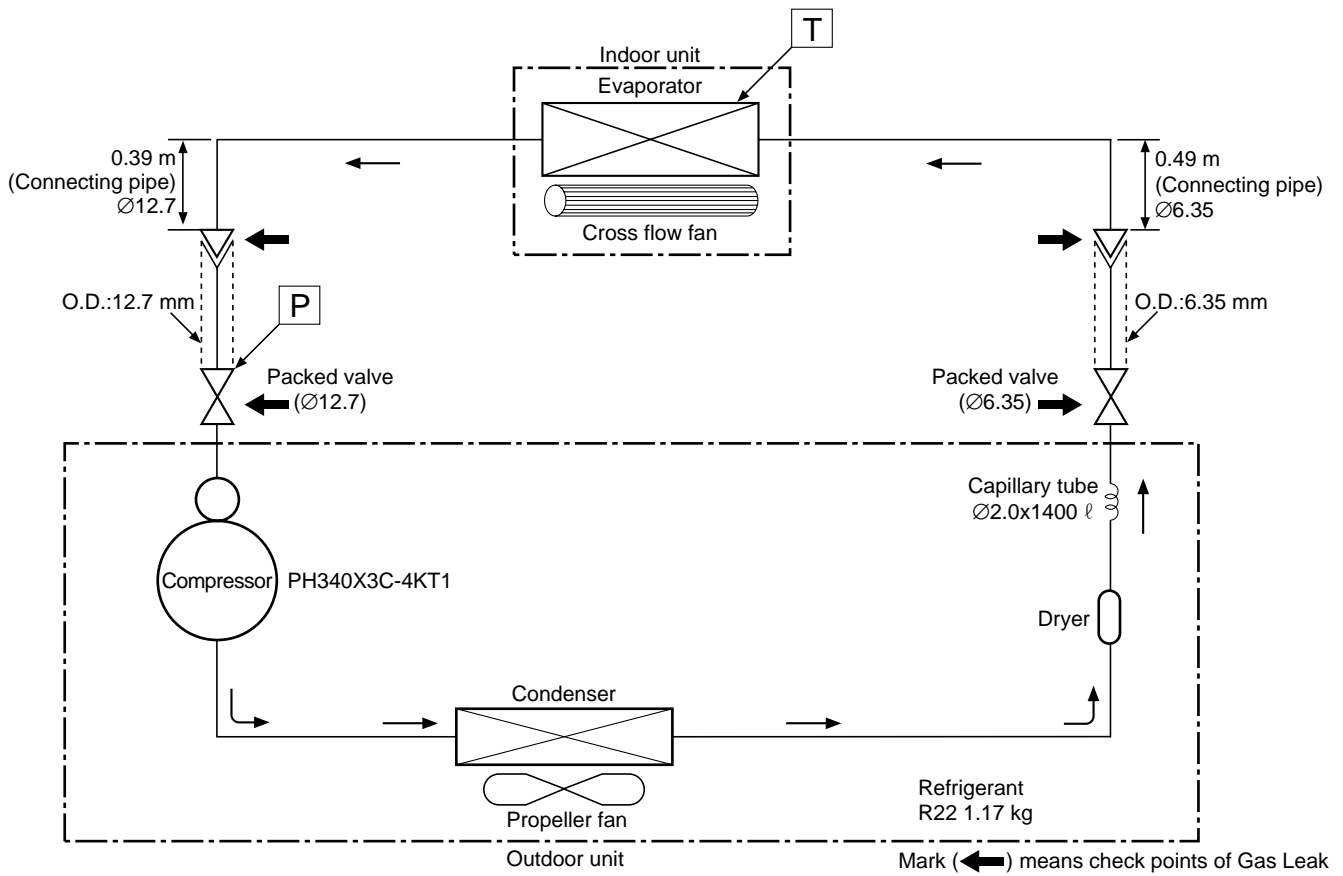


50 Hz		Standard pressure <b>P</b> (MPaG)	Surface temp. of heat exchanger interchanging pipe <b>T</b> (°C)	Fan speed (indoor)	Ambient temp. conditions DB/WB (°C)	
					Indoor	Outdoor
Cooling	Standard	0.38	11.0	High	27/19	35/24
	High temperature	0.50	12.0	High	32/23	43/26
	Low temperature	0.30	1.0	Low	21/15	21/15

**Note :** Measure the heat exchanger temperature at the center of U-bend. (By means of TC sensor.)



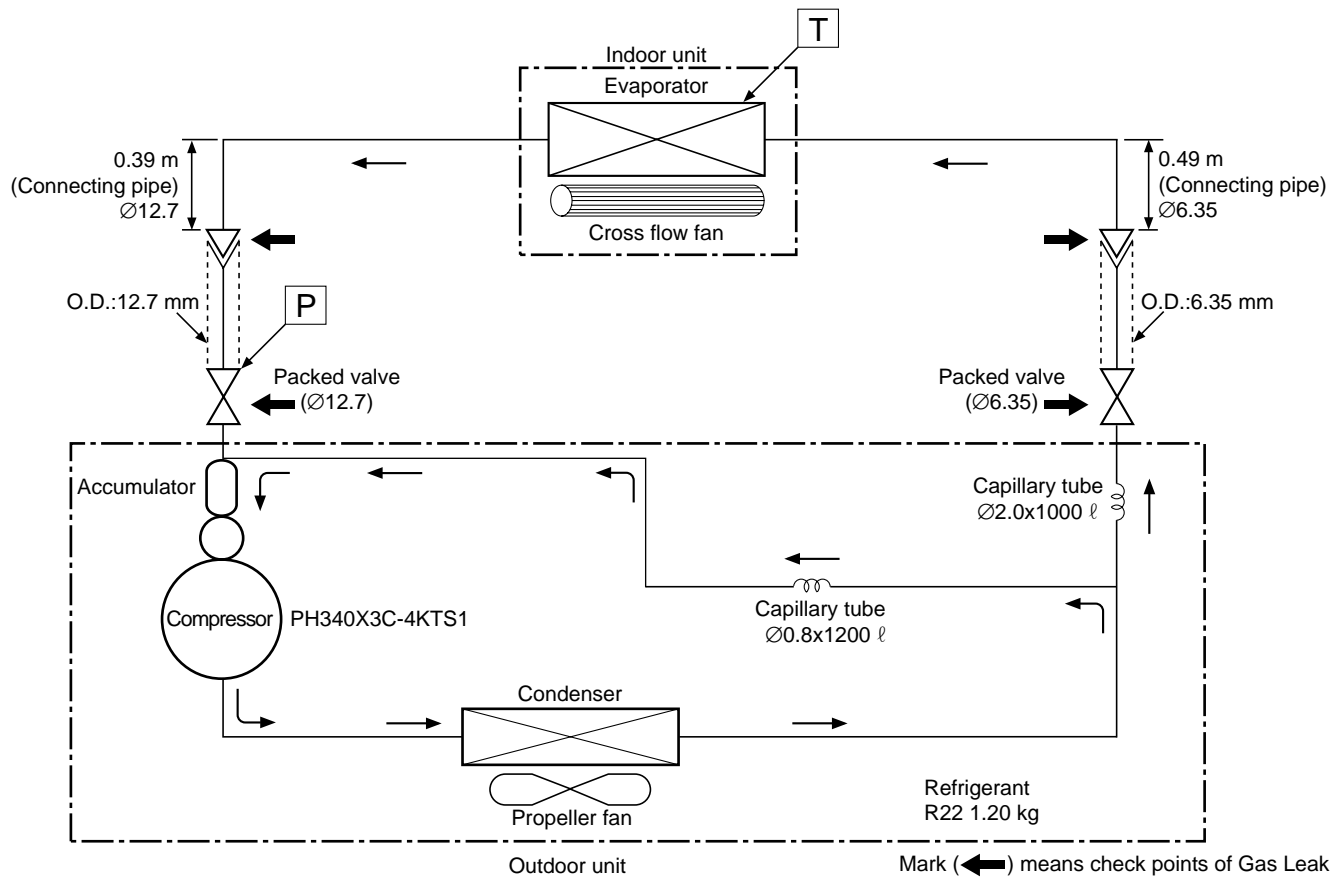
5-4. RAS-18NKD-E4 / RAS-18UA-E4, RAS-18NKDX4 / RAS-18UAX4



50 Hz		Standard pressure <b>P</b> (MPaG)	Surface temp. of heat exchanger interchanging pipe <b>T</b> (°C)	Fan speed (indoor)	Ambient temp. conditions DB/WB (°C)	
					Indoor	Outdoor
Cooling	Standard	0.43	9.2	High	27/19	35/24
	High temperature	0.58	13.5	High	32/23	43/26
	Low temperature	0.30	2.0	Low	21/15	21/15

**Note :** Measure the heat exchanger temperature at the center of U-bend. (By means of TC sensor.)

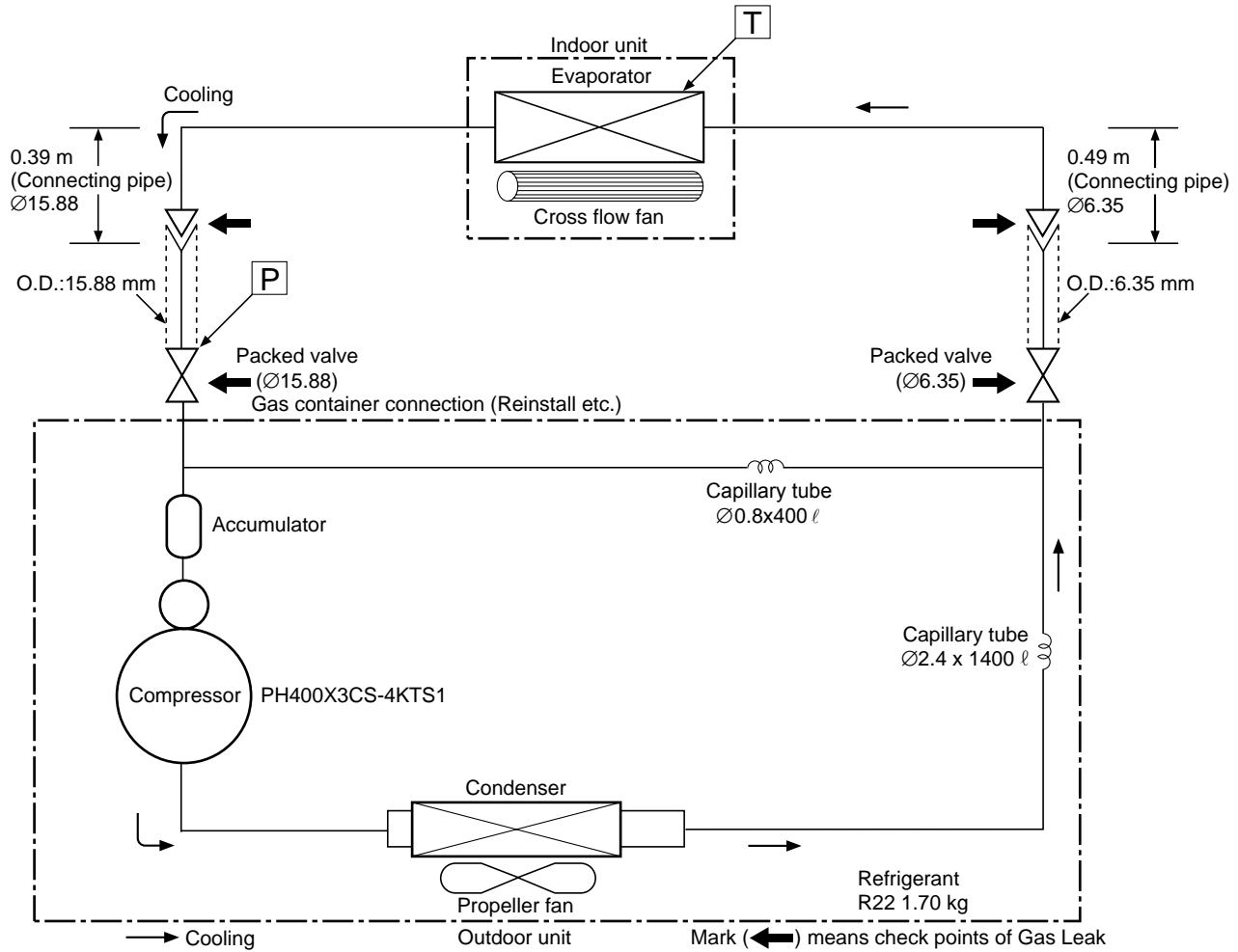
5-5. RAS-18NKD-AR4 / RAS-18UA-AR4



50 Hz		Standard pressure <b>P</b> (MPaG)	Surface temp. of heat exchanger interchanging pipe <b>T</b> (°C)	Fan speed (indoor)	Ambient temp. conditions DB/WB (°C)	
					Indoor	Outdoor
Cooling	Standard	0.43	9.5	High	27/19	35/24
	High temperature	0.48	15.7	High	32/23	52/31
	Low temperature	0.30	2.0	Low	21/15	21/15

**Note :** Measure the heat exchanger temperature at the center of U-bend. (By means of TC sensor.)

5-6. RAS-24NKD-AR4 / RAS-24UA-AR4

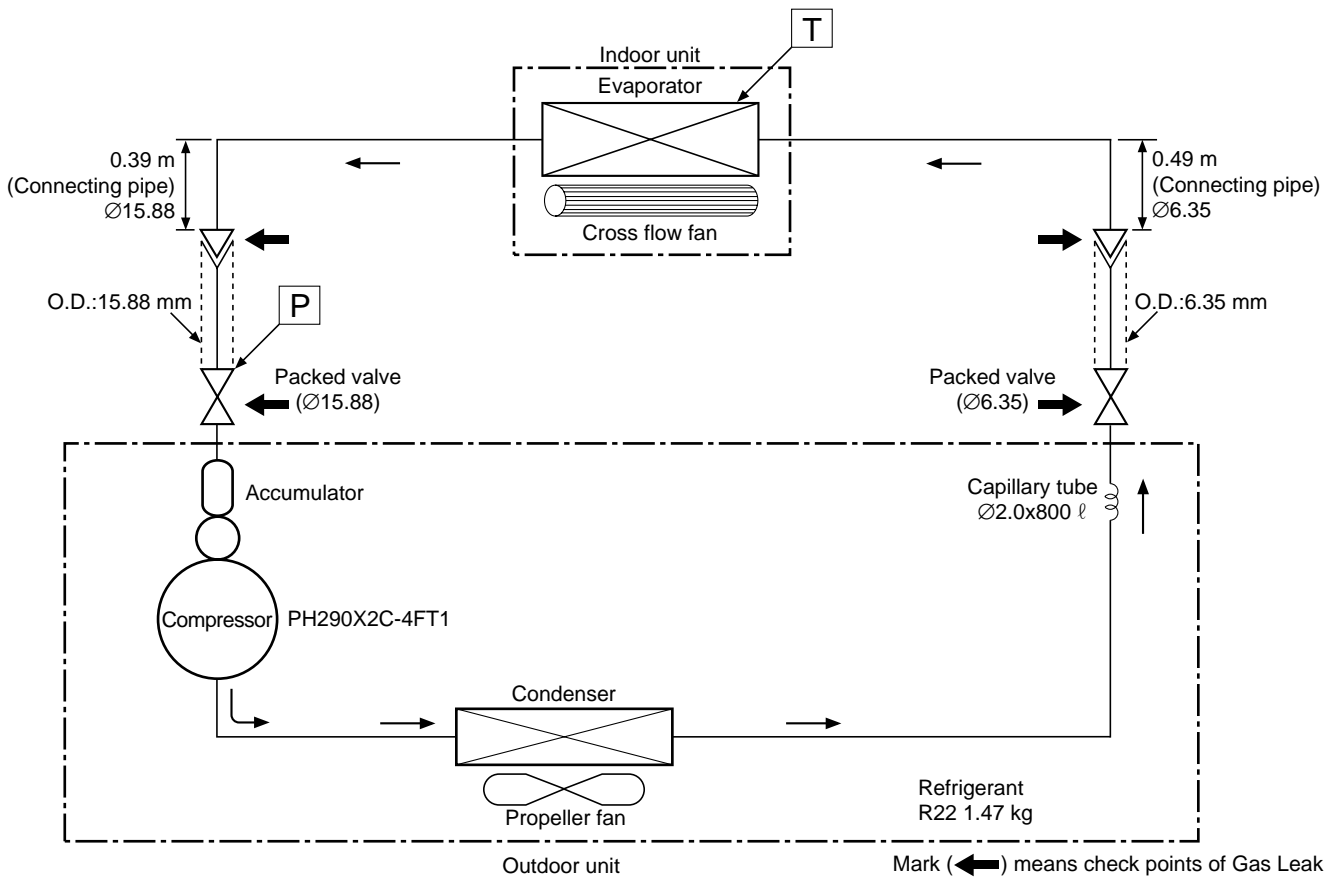


50 Hz		Standard pressure <b>P</b> (MPaG)	Surface temp. of heat exchanger interchanging pipe <b>T</b> (°C)	Fan speed (indoor)	Ambient temp. conditions DB/WB (°C)	
					Indoor	Outdoor
Cooling	Standard	0.44	8.5	High	27/19	35/24
	High temperature	0.46	15.2	High	32/23	52/31*
	Low temperature	0.30	1.0	Low	21/15	21/15

\* SASO Standard's condition

**Note** : Measure the heat exchanger temperature at the center of U-bend. (By means of TC sensor.)

5-7. RAS-18NKDX4-T2 / RAS-18UAX4-T2

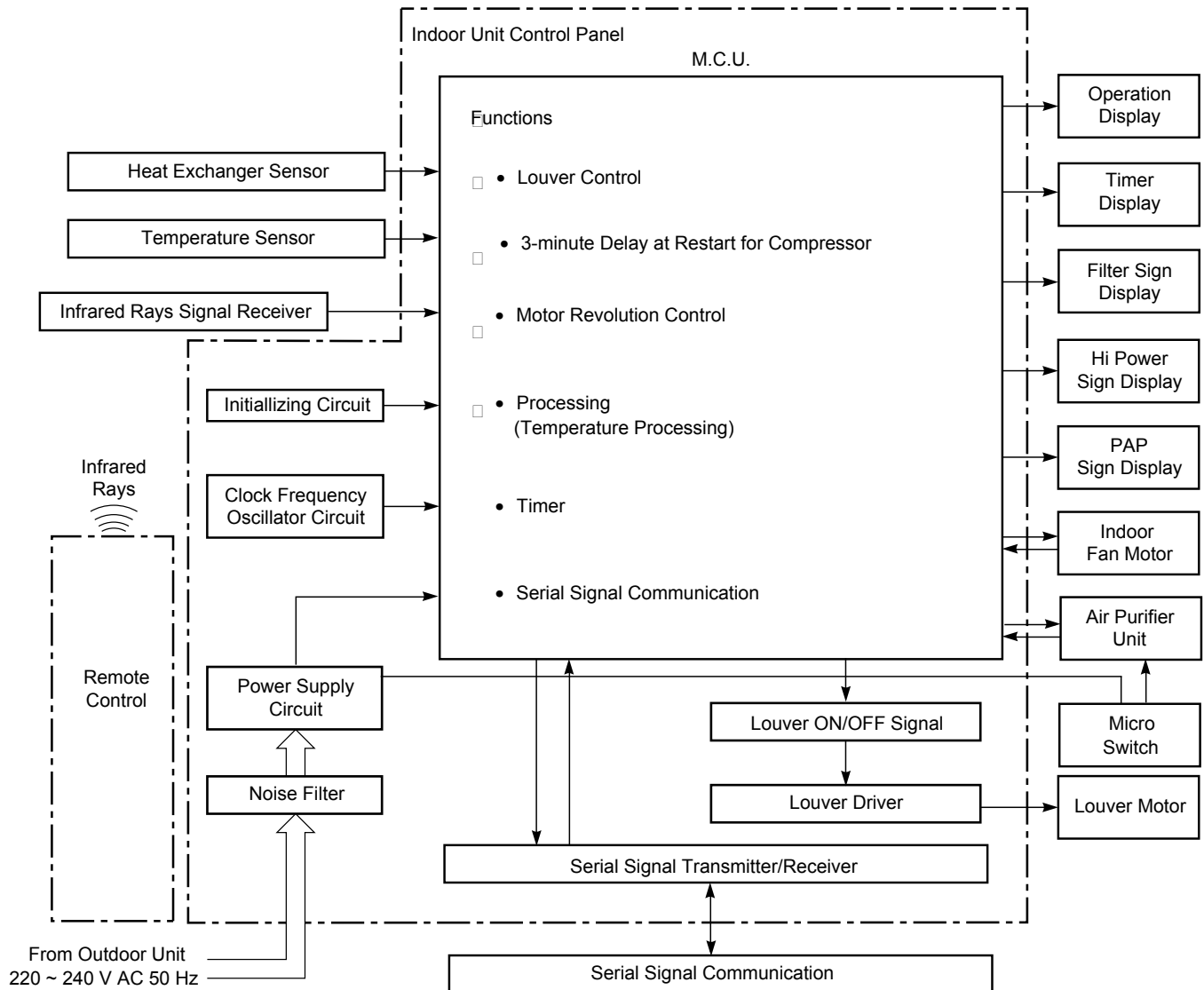


50 Hz		Standard pressure <b>P</b> (MPaG)	Surface temp. of heat exchanger interchanging pipe <b>T</b> (°C)	Fan speed (indoor)	Ambient temp. conditions DB/WB (°C)	
					Indoor	Outdoor
Cooling	Standard	0.56	10.0	High	27/19	35/24
	High temperature	0.59	12.0	High	32/23	43/26
	Low temperature	0.30	2.0	Low	21/15	21/15

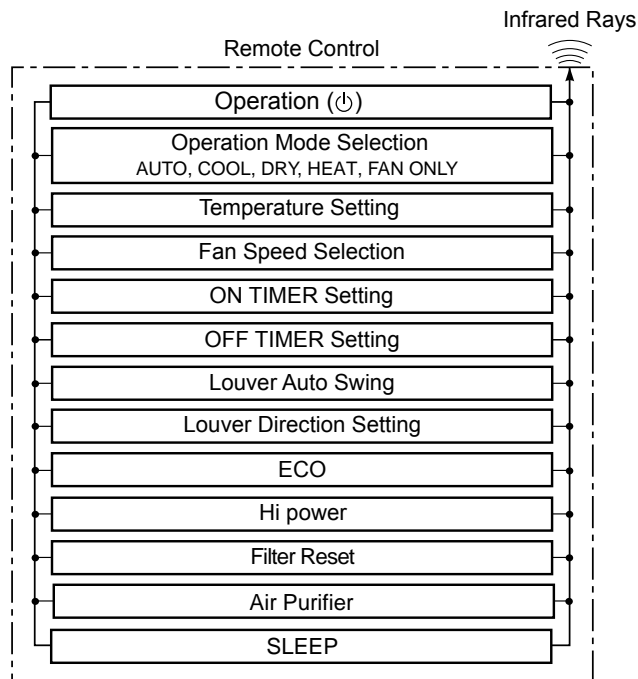
**Note :** Measure the heat exchanger temperature at the center of U-bend. (By means of TC sensor.)

## 6. CONTROL BLOCK DIAGRAM

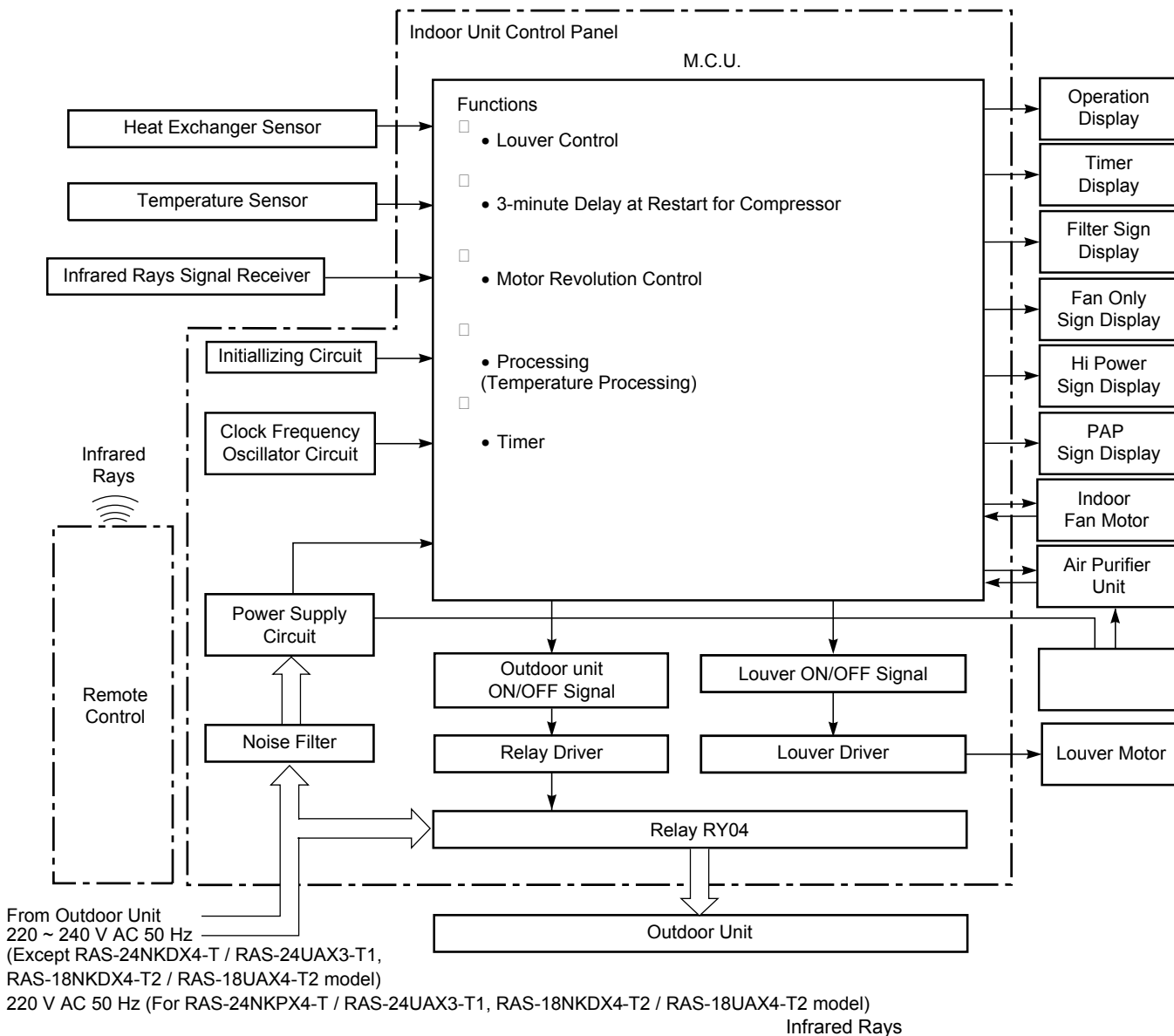
### 6-1. RAS-24NKHD-E4, RAS-18NKHD-E4



#### REMOTE CONTROL

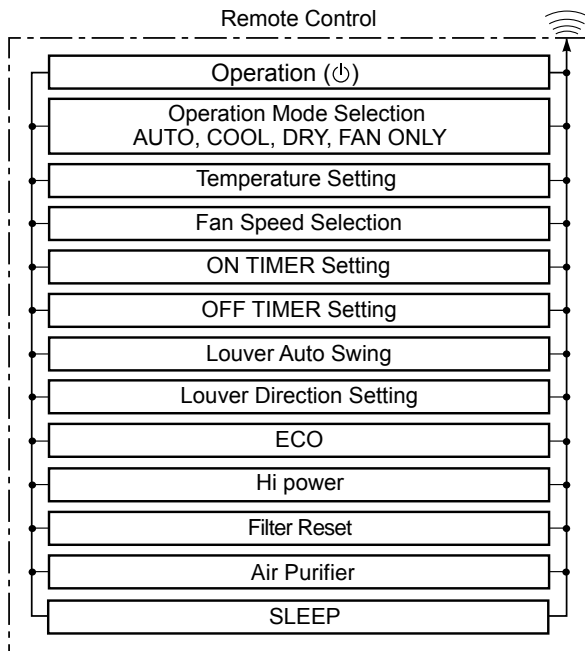


**6-2. RAS-18NKD-E4 / RAS-18UA-E4, RAS-18NKDX4 / RAS-18UAX4  
 RAS-18NKD-AR4 / RAS-18UA-AR4, RAS-18NKDX4-T2 / RAS-18UAX4-T2  
 RAS-24NKD-E4 / RAS-24UA-E4, RAS-24NKDX4 / RAS-24UAX4  
 RAS-24NKD-AR4 / RAS-24UA-AR4, RAS-24NKDX4-T / RAS-24UAX3-T1**



From Outdoor Unit  
 220 ~ 240 V AC 50 Hz  
 (Except RAS-24NKDX4-T / RAS-24UAX3-T1,  
 RAS-18NKDX4-T2 / RAS-18UAX4-T2 model)  
 220 V AC 50 Hz (For RAS-24NKPX4-T / RAS-24UAX3-T1, RAS-18NKDX4-T2 / RAS-18UAX4-T2 model)

**REMOTE CONTROL**



## 7. OPERATION DESCRIPTION

### 7-1. Outline of Air Conditioner Control

This is a fixed capacity type air conditioner, which uses a AC motor for an indoor fan. The AC motor drive circuit is mounted in the indoor unit. And electrical parts which operate the compressor and the outdoor fan motor, are mounted in the outdoor unit.

The air conditioner is mainly controlled by the indoor unit controller. The controller operates the indoor fan motor based upon commands transmitted by the remote control and transfers the operation commands to the outdoor unit controller.

The outdoor unit controller receives operation commands from the indoor unit, and operates the outdoor fan motor and the compressor.

(1) Role of indoor unit controller

The indoor unit controller receives the operation commands from the remote control and executes them.

- Temperature measurement at the air inlet of the indoor heat exchanger by the indoor temperature sensor
- Temperature setting of the indoor heat exchanger by the heat exchanger sensor
- Louver motor control
- Indoor fan motor operation control
- LED display control
- Transferring of operation commands to the outdoor unit
- Receiving of information of the operation status and judging of the information or indication of error

(2) Role of outdoor unit controller

The outdoor unit controller receives the operation commands from the indoor controller and executes them.

- Compressor operation control
- Operation control of outdoor fan motor

} Operations according to the commands from the indoor unit

- Turning off the compressor and outdoor fan when the outdoor unit receives the shutdown command
- Defrost control in heating operation (Temperature measurement by the outdoor heat exchanger and control for the four-way valve and the outdoor fan motor) \*Heat pump Model only

#### 7-1-1. Louver control

(1) Vertical air flow louver

Position of vertical air flow louver is automatically controlled according to the operation mode.

Besides, position of vertical air flow louver can be arbitrarily set by pressing [FIX] button.

The louver position which is set by [FIX] button is stored in the microcomputer, and the louver is automatically set at the stored position for the next operation.

(2) Swing

If [SWING] button is pressed when the indoor unit is in operation, the vertical air flow louver starts swinging. When [FIX] button is pressed, it stops swinging.

#### 7-1-2. Indoor fan control (AC Fan motor)

- (1) The indoor fan is operated by the stepless speed change AC motor.
- (2) For air flow level, speed of the indoor fan motor is controlled in five steps (LOW, LOW<sup>+</sup>, MED, MED<sup>+</sup> and HIGH). If AUTO mode is selected, the fan motor speed is automatically controlled by the difference between the preset temperature and the room temperature.

$$LOW^+ = \frac{LOW + MED}{2}$$

$$MED^+ = \frac{MED + HIGH}{2}$$

Table 7-1-1

OPERATION MODE		FAN TAP												
		Cooling	UH	H	M+	M	L+	L	L-	UL	SUL/SL-	SUL		
Model	RAS-24NKHD Series	Heat	UH	H		M	L+	L	L-	UL			SUL/SL-	
		Fan only			H	M+	M	L+	L	L-				
		Dry				M+	M	L+	L	L-	UL		SUL	
		rpm	1300			1250	1200	1150	1050	1000	900	800	700	600
	Air flow volume (m <sup>3</sup> /h)	900			830	790	750	667	625	543	461	380	300	
	RAS-18NKHD Series	rpm	1200	1150	1100	1050	950	900	800	700	600	500		
		Air flow volume (m <sup>3</sup> /h)	790	750	708	667	584	543	461	380	300	220		
	RAS-24NKD Series	rpm	-	1300	1250	-	1150	-	1050	1000	900	800	700	-
		Air flow volume (m <sup>3</sup> /h)	-	900	830	-	750	-	667	625	543	461	380	-
	RAS-18NKD Series	rpm	-	1150	1100	-	1050	-	950	900	800	700	600	-
		Air flow volume (m <sup>3</sup> /h)	-	750	708	-	667	-	584	543	461	380	300	-
	RAS-18NKDX4-T2 Series	rpm	-	1300	1250	-	1050	-	950	900	800	700	600	-
Air flow volume (m <sup>3</sup> /h)		-	900	830	-	667	-	584	543	461	380	300	-	

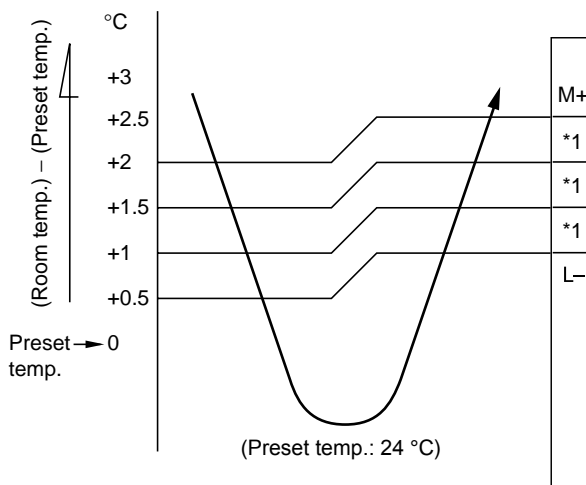
## 7-2. Description of Operation Circuit

- (1) When turning on the breaker, the operation lamp blinks. This means that the power is on (or the power supply is cut off.)
- (2) When pressing [⏻] button on the remote control, receiving beep sounds from the indoor unit, and the next operation is performed together with opening the vertical air flow louver.
- (3) Once the operation mode is set, it is memorized in the microcomputer so that the previous operation can be effected thereafter simply by pressing [⏻] button.

### 7-2-1. Fan only operation

([MODE] button on the remote control is set to the fan only operation.)

- (1) When [FAN] button is set to AUTO, the indoor fan motor operates as shown in Fig. 7-2-1. When [FAN] button is set to LOW, LOW+, MED, MED+ or HIGH, the motor operates with a constant air flow.



**NOTE :**

\*1: The values marked with \*1 are calculated and controlled by the difference in motor speed between M+ and L-.

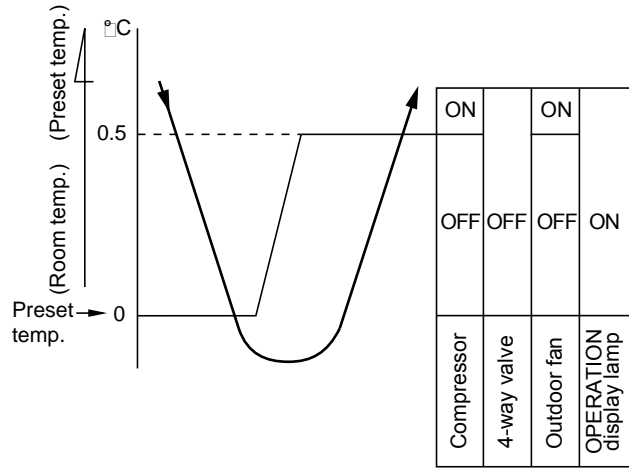
- (2) The Hi POWER, ECO and COMFORT SLEEP operation cannot be set.

**Fig. 7-2-1 Setting of air flow [FAN:AUTO]**

### 7-2-2. Cooling operation

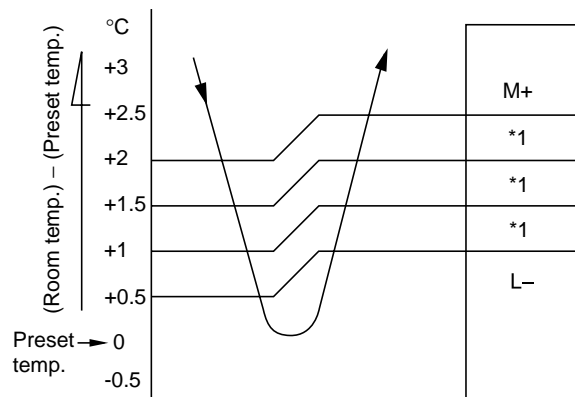
([MODE] button on the remote control is set to the cooling operation.)

- (1) The compressor, 4-way valve, outdoor fan and operation display lamp are controlled as shown in Fig. 7-2-2.



**Fig. 7-2-2**

- (2) When [FAN] button is set to AUTO, the indoor fan motor operates as shown in Fig. 7-2-3. When [FAN] button is set to LOW, LOW+, MED, MED+ or HIGH, the motor operates with a constant air flow.



**NOTE :**

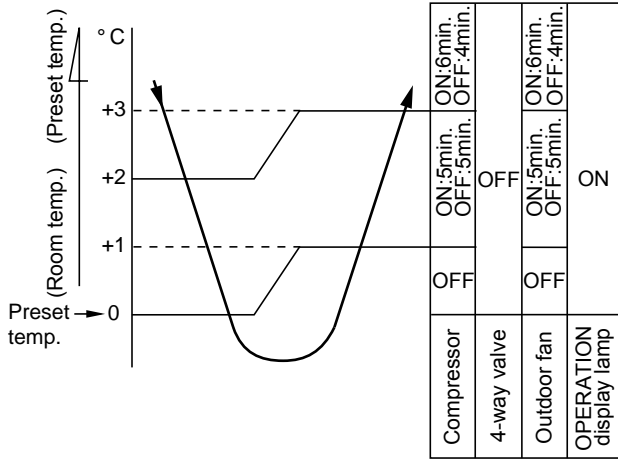
\*1: The values marked with \*1 are calculated and controlled by the difference in motor speed between M+ and L-.

**Fig. 7-2-3 Setting of air flow [FAN:AUTO]**



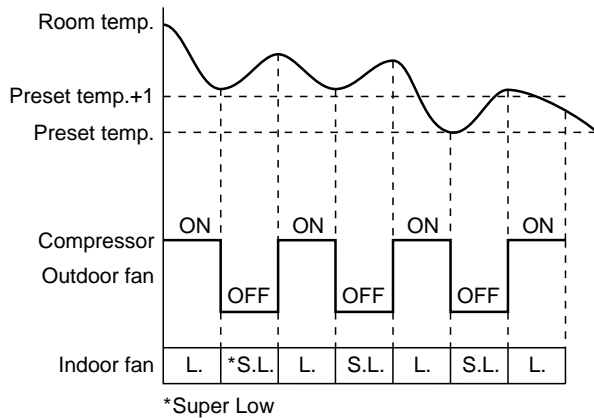
**7-2-3. Dry operation**  
**([MODE] button on the remote control is set to the dry operation.)**

- (1) The compressor, 4-way valve, outdoor fan and operation display lamp are controlled as shown in Fig. 7-2-4.



**Fig. 7-2-4**

- (2) The microprocessor turns the compressor on and off at the regular intervals (4 to 6 minutes). While the compressor is turning off, the indoor fan motor operates in the SUPER LOW position. The pattern of operation depending on the relation between room temperature and preset temperatures is shown in Fig. 7-2-5.

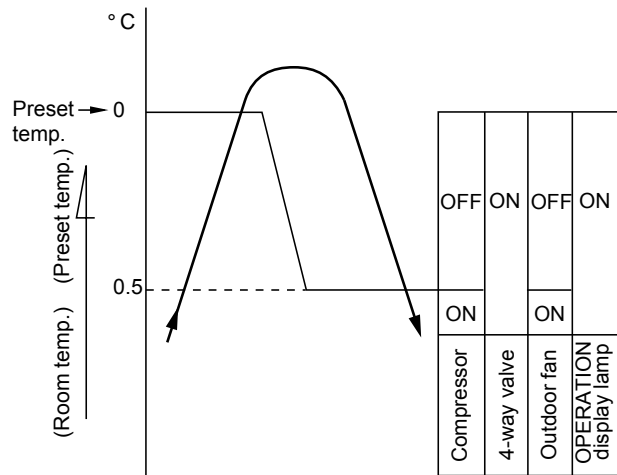


**Fig. 7-2-5**

- (3) [FAN] button on the remote control is set to AUTO only.  
 (4) The ECO and Hi Power operations can not be set.

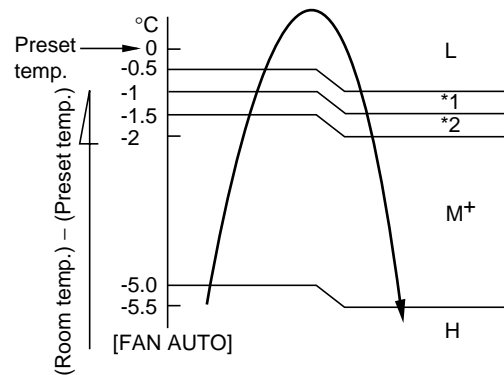
**7-2-4. Heating operation \*Heat pump model only**  
**([MODE] button on the remote control is set to the heating operation.)**

- (1) The compressor, 4-way valve, outdoor fan and operation display lamp are controlled as shown in Fig. 7-2-6.



**Fig. 7-2-6**

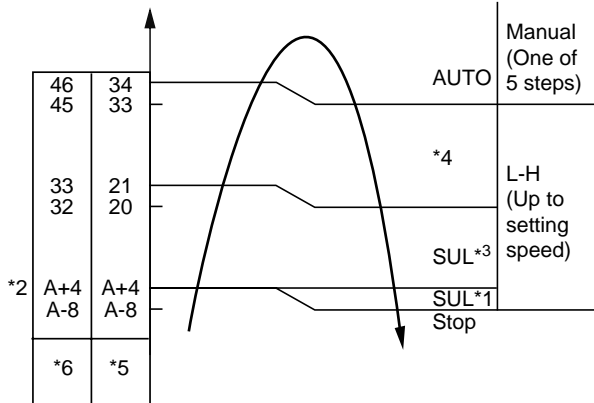
- (2) When [FAN] button is set to AUTO, the indoor fan motor operates as shown in Fig. 7-2-7. When [FAN] button is set to LOW, LOW+, MED, MED+ or HIGH, the motor operates with a constant air flow.



\*1, \*2 : The values marked with \*1 and \*2 are calculated and controlled by the difference in motor speed between M+ and L.

**Fig. 7-2-7 Setting of air flow [FAN:AUTO]**

- (3) The indoor heat exchanger restricts revolving speed of the fan motor to prevent a cold draft. The upper limit of the revolving speed is shown in Fig. 7-2-8 and Table 7-2-1.



**NOTES :**

- \*1: The fan stops for 2 minutes after thermostat-OFF.
- \*2: A is 24°C when the preset temperature is 24°C or more and A is the preset temperature when it is under 24°C.
- \*3: SUL means Super Ultra Low.
- \*4: Calculated from difference in motor speed between SUL and HIGH.

**Fig. 7-2-8 Cold draft preventing control**

\*5 and \*6:

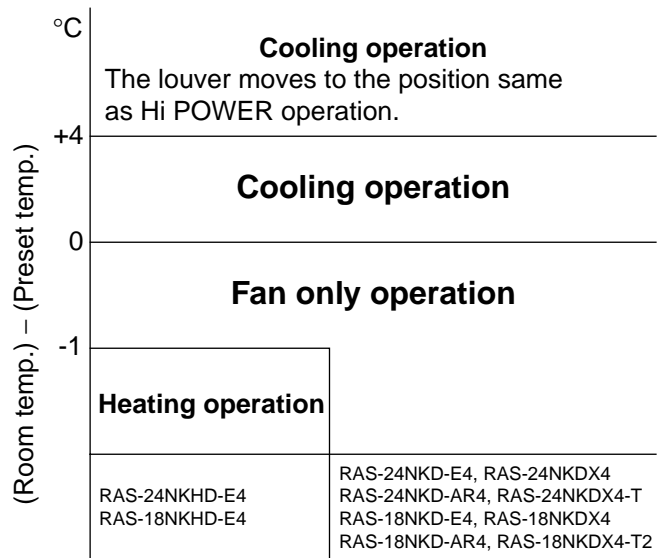
**Table 7-2-1**

Fan speed	*5 Starting period	*6 Stabilized period
AUTO	<ul style="list-style-type: none"> <li>• Up until 12 minutes passed after starting the unit</li> <li>• From 12 to 25 minutes passed after starting the unit and room temperature is 3°C lower than preset temperature</li> </ul>	<ul style="list-style-type: none"> <li>• From 12 to 25 minutes passed after starting the unit and room temperature is between preset temperature and 3°C lower than preset temperature</li> <li>• 25 minutes or more passed after starting the unit</li> </ul>
Manual (L - H)	<ul style="list-style-type: none"> <li>• Room temperature &lt; Preset temperature -4°C</li> </ul>	<ul style="list-style-type: none"> <li>• Room temperature ≥ Preset temperature -3.5°C</li> </ul>

**7-2-5. Automatic operation**

**([MODE] button on the remote control is set to the automatic operation.)**

- (1) One of 3 operations (Cooling, Fan only or Heating) is selected according to difference between the preset temperature and the room temperature at which the automatic operation has started, as shown in Fig. 7-2-9. The Fan only operation continues until the room temperature reaches a level at which another mode is selected.
- (2) Temporary Auto  
When the TEMPORARY button on the indoor unit is pushed, the preset temperature is fixed at 24°C and the indoor unit is controlled as shown in Fig. 7-2-9.



**Fig. 7-2-9**

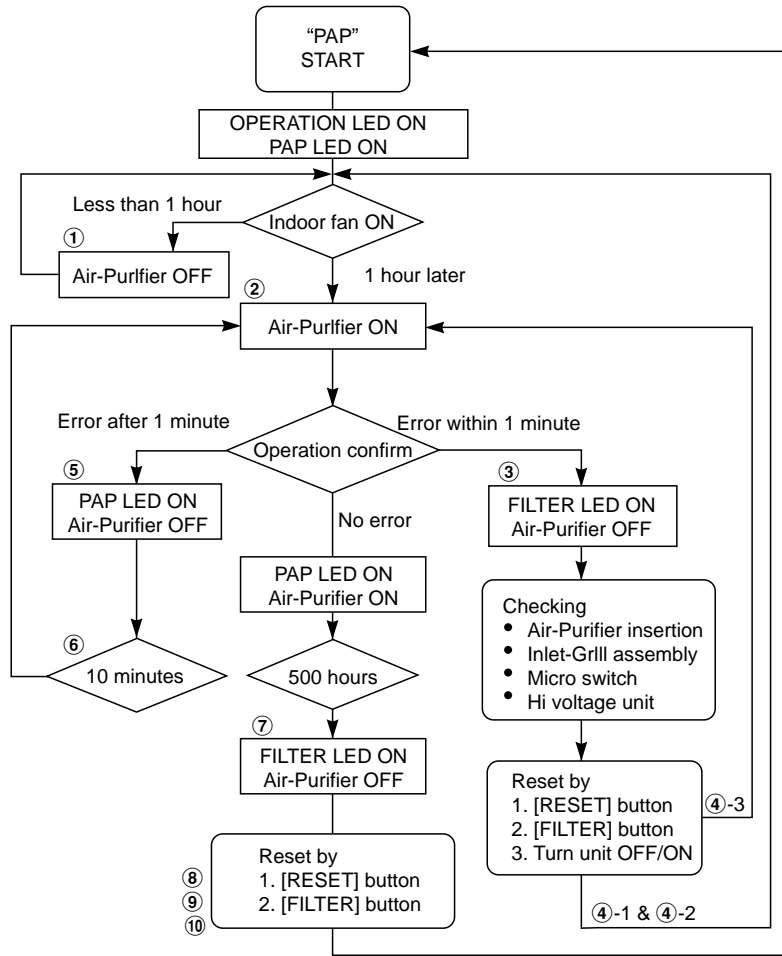
**7-2-6. Plasma Air-Purifier (PAP) operation.**

Plasma Air-Purifier is able to operate together with other operations mode of air conditioner by pressing [PAP] button to turn ON/OFF the Plasma Air-Purifier while other mode is on operation.

Plasma Air-Purifier is able to operate individual by pressing [PAP] button to turn ON/OFF instead of pressing [⏻] button. For pressing the [⏻] button is able to turn both air conditioner and Plasma Air-Purifier ON/OFF at the same time. (depends on presetting before turning off.)

When [PAP] button is pressed, mark is indicated on the display of the remote control and the Plasma Air-Purifier operates as follows.

(1) Operation flow chat.



Case	Descriptions
①&②	In case of the first operation, after circuit breaker turns OFF/ON or after reset by case No. ④-1, ④-2, ⑧ and ⑨. The Air-Purifier will operates after 1 hour.
	For daily used, without turning OFF circuit breaker, Air-Purifier operates immediately.
	By using short timer function of remote control*, Air-Purifier operates immediately.
③	In case of some error occurs within 1 minute, the above items need to be checked.
④-1	Case no ③, reset by [RESET] button on the indoor unit. Then Air-Purifier will operate again after 1 hour.
④-2	Case no ③, reset by [FILTER] button on the remote control. Then Air-Purifier will operate again after 1 hour.
④-3	Case no ③, reset by turning OFF the unit and turning ON again. Then Air-Purifier operates immediately.
⑤	In case of some error occurs after 1 minute. Air-Purifier will turn OFF but in contrast, PAP LED will keep turning ON continuously.
⑥	Case no ⑤, the Air-Purifier will operate again after 10 minute.
⑦	After complete 500 hours operation, FILTER LED will turn ON and Air-Purifier will turn OFF. In addition, Air-Purifier should be cleaned.
⑧	Case no ⑦, reset by [RESET] button on the indoor unit, and Air-Purifier will operate again after 1 hour.
⑨	Case no ⑦, reset by [FILTER] button on the remote control, and Air-Purifier will operate again after 1 hour.
⑩	Case no ⑦, can not reset by turning unit OFF and ON.

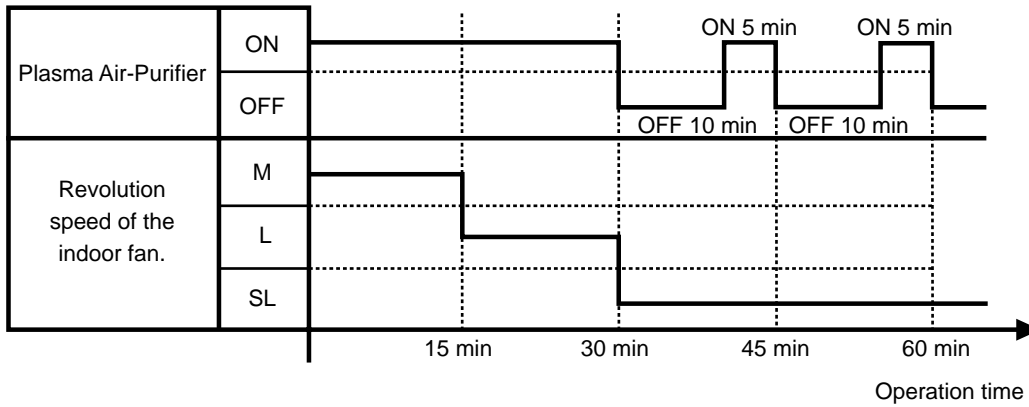
\* Short timer is the function of the remote control that activates the setting for the sudden operation. This function can be set as shown below.

1. Press [⏻] button to turn the unit OFF.
2. Use the tip of the pencil to push the [CHECK] button and hold, "00" will show on display, then press [SET] button to make "00" disappear.
3. Press [⏻] button again to turn the unit ON.
4. When short timer is activated, all setting on the remote operates immediately, Besides, all LED turns ON continuously for 2 seconds.

**(2) The indoor fan motor and Plasma Air-Purifier operation.**

- When Plasma Air-Purifier has been operated with other operation of air conditioner mode (Fan only, AUTO, Cooling, Dry or Heat). The speed revolution of indoor fan is based upon the operated mode of air conditioner. In fact, Plasma Air-Purifier works continuously.
- When the Plasma Air-Purifier is activated individually and the fan speed is set to LOW, LOW+, MED, MED+, or HIGH, the speed revolution of the indoor fan will be constant. In fact, Plasma Air-Purifier works continuously.

Moreover, when the Plasma Air-Purifier is activated individually and the fan speed is set to AUTO, the speed revolution of the indoor fan and the operation of Plasma Air-Purifier is shown as the fig. 7-2-10



**Fig. 7-2-10**

### 7-3. Hi POWER Mode

**([Hi POWER] button on the remote control is pressed.)**

When [Hi POWER] button is pressed while the indoor unit is in Auto, Cooling or Heating operation, Hi POWER mark is indicated on the display of the remote control and the unit operates as follows.

- (1) Automatic operation
  - The indoor unit operates in according to the current operation.
- (2) Cooling operation
  - The setting temperature drops 3°C. (The value of the setting temperature on the remote control does not change.)
  - If the room temperature is higher than the setting temperature by 3.5°C or more, the horizontal louver moves to the Hi POWER position automatically. Then when the room temperature is 1°C less than the setting temperature the horizontal louver returns automatically.
  - FAN speed : [AUTO]
    - If the room temperature is higher than the setting temperature by 3.5°C or more, the air conditioner operates at maximum airflow level.
    - If the room temperature is higher than the setting temperature by less than 3.5°C, the air conditioner operates at normal airflow level.
  - FAN speed : One of 5 levels
    - If the room temperature is higher than the setting temperature by 3.5°C or more, the air conditioner operates at higher consecutive airflow level. If the room temperature is higher than the setting temperature by less than 3.5°C, the air conditioner operates at normal airflow level.
- (3) Heating operation
  - The preset temperature increases 2°C, (The value of the preset temperature on the remote control does not change.)
  - The indoor unit operates in normal heating mode except the preset temperature is higher (+2°C).
- (4) The Hi POWER mode can not be set in Dry or Fan only operation.

### 7-4. High-Temperature Limit Control

**\*Heat pump model only**

The microcontroller detects the indoor heat exchanger temperature to prevent pressure of a refrigerating cycle from increasing excessively.

The compressor and outdoor fan motor are controlled as shown in Fig. 7-4-1.

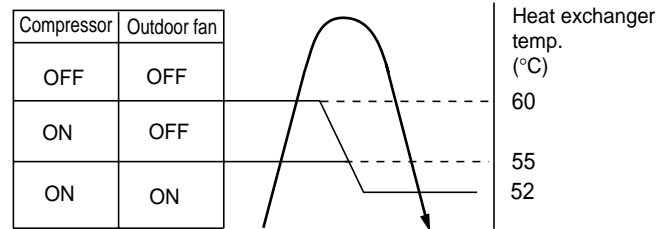


Fig. 7-4-1

### 7-5. Low-Temperature Limit Control

The microcontroller detects the indoor heat exchanger temperature to prevent the indoor heat exchanger from freezing.

The compressor and outdoor fan motor are controlled as shown in Fig. 7-5-1.

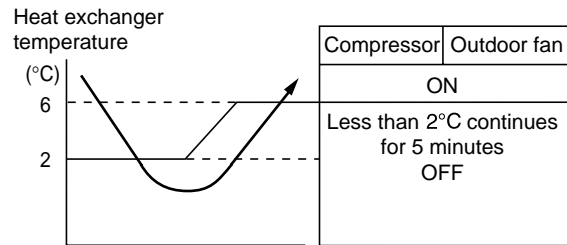


Fig. 7-5-1

### 7-6. Defrost Operation \*Heat pump model only

When the indoor unit is in heating operation, if the refrigerant evaporation temperature detected by the outdoor heat exchanger sensor is under the specified temperature, the outdoor unit starts the defrosting operation. At this time, the 4-way valve relay and the outdoor fan motor are turned off. The indoor fan motor is also turned off by the cold draft preventing control of the indoor microcomputer. Then, [PRE. DEF.] lamp on the indoor unit comes on.

The defrosting operation stops and the 4-way valve relay, outdoor fan motor and the indoor fan motor are turned on automatically when the refrigerant evaporation increases to the specified temperature, or when the defrosting time is over 12 minutes.

**7-6-1. Defrost starting condition**

A-Zone : If  $-10^{\circ}\text{C} > \text{Teo} \geq -18^{\circ}\text{C}$ , defrost will start when.

$\text{Teo} - \text{Te} \geq 2.5^{\circ}\text{C}$  at least 20 sec or ~ 30 min after operation.

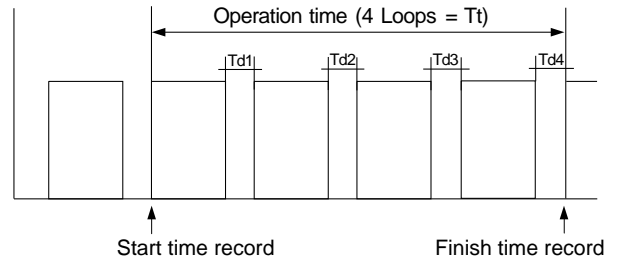
B-Zone : If  $\text{Te} \leq -18^{\circ}\text{C}$ , defrost start instantaneously (Suddenly) 00 ~ 25 min after operation

C-Zone : If  $-2^{\circ}\text{C} \geq \text{Teo} \geq -10^{\circ}\text{C}$  defrost will start when  $\text{Teo} - \text{Te} \leq -3^{\circ}\text{C}$  at least 20 sec or ~ 60 min after operation.

**7-6-2. Defrost finish condition.**

- 1) If  $\text{Te} \geq 3^{\circ}\text{C}$  at least 60 sec --> 4 way value on.
- 2) If  $\text{Te} \geq 8^{\circ}\text{C}$  --> 4 way value on.

**Timing**



Defrost time rate :  $(\text{Td}/\text{Tt}) \times 100$

Heating time rate :  $(\text{Tt} - \text{Td}) \times \text{Tt}$

**Fig. 7-6-2**

## 7-7. Auto Restart Function

The indoor unit is equipped with an automatic restarting function which allows the unit to restart operating with the set operating conditions in the event of power supply being accidentally shut down. The operation will resume without warning three minutes after power is restored.

This function is not set to work when shipped from the factory. Therefore it is necessary to set it to work.

### 7-7-1. How to set auto restart function

To set the auto restart function, proceed as follows:

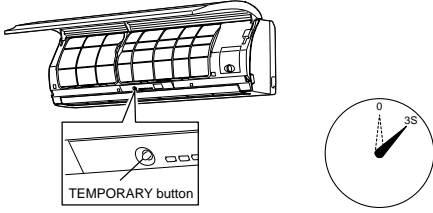
The power supply to the unit must be on; the function will not set if the power is off.

Push the [TEMPORARY] button located in the center of the front panel continuously for three seconds.

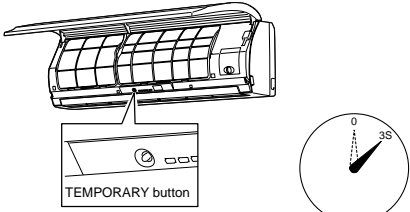
The unit receives the signal and beeps three times.

The unit then restarts operating automatically in the event of power supply being accidentally shut down.

When the unit is on standby (Not operating)

Operation	Motions
<p>Push [TEMPORARY] button for more than three seconds.</p> 	<p>The unit is on standby.</p> <p style="text-align: center;">↓</p> <p>The unit starts to operate.                      The green lamp is on.</p> <p style="text-align: center;">↓      After approx. three seconds,</p> <p>The unit beeps three times and continues to operate.                      The lamp changes from green to orange.</p> <p>If the unit is not required to operate at this time, push [TEMPORARY] button once more or use the remote control to turn it off.</p>

When the unit is in operation

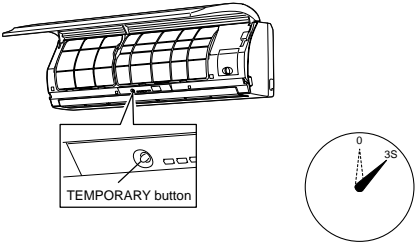
Operation	Motions
<p>Push [TEMPORARY] button for more than three seconds.</p> 	<p>The unit is in operation.                      The green lamp is on.</p> <p style="text-align: center;">↓</p> <p>The unit stops operating.                      The green lamp is turned off.</p> <p style="text-align: center;">↓      After approx. three seconds,</p> <p>The unit beeps three times.</p> <p>If the unit is required to operate at this time, push [TEMPORARY] button once more or use the remote control to turn it on.</p>

- While this function is being set, if the unit is in operation, the orange lamp is on.
- This function can not be set if the timer operation has been selected.
- When the unit is turned on by this function, the louver will not swing even though it was swinging automatically before shutting down.
- While the filter check lamp is on, the [TEMPORARY] button has the function of filter reset button.

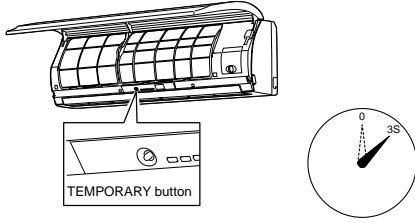
**7-7-2. How to cancel auto restart function**

To cancel auto restart function, proceed as follows:  
 Repeat the setting procedure: the unit receives the signal and beeps three times.  
 The unit will be required to be turned on with the remote control after the main power supply is turned off.

When the unit is on standby (Not operating)

Operation	Motions
<p>Push [TEMPORARY] button for more than three seconds.</p> 	<p>The unit is on standby.</p> <p style="text-align: center;">↓</p> <p>The unit starts to operate.                      The orange lamp is on.</p> <p style="text-align: center;">↓      After approx. three seconds,</p> <p>The unit beeps three times and continues to operate.                      The lamp changes from orange to green.</p> <p>If the unit is not required to operate at this time, push [TEMPORARY] button once more or use the remote control to turn it off.</p>

When the unit is in operation

Operation	Motions
<p>Push [TEMPORARY] button for more than three seconds.</p> 	<p>The unit is in operation.                      The orange lamp is on.</p> <p style="text-align: center;">↓</p> <p>The unit stops operating.                      The orange lamp is turned off.</p> <p style="text-align: center;">↓      After approx. three seconds,</p> <p>The unit beeps three times.</p> <p>If the unit is required to operate at this time, push [TEMPORARY] button once more or use the remote control to turn it on.</p>

- While this function is being set, if the unit is in operation, the orange lamp is on.

**7-7-3. Power failure during timer operation**

When the unit is in Timer operation, if it is turned off because of power failure, the timer operation is cancelled. Therefore, set the timer operation again.

**7-8. Filter Check Lamp**

When the elapsed time reaches 1000 hours, the filter check lamp indicates. After cleaning the filters, turn off the filter check lamp.

**7-8-1. How to turn off filter check lamp**

Press [FILTER] button on the remote control.  
 OR push [TEMPORARY] button on the indoor unit.

**Note:**

If [TEMPORARY] button is pushed while the filter check lamp is not indicating, the indoor unit will start the Automatic Operation.



### 7-9. Self-Cleaning function.

Self-Cleaning function is designed to reduce humidity that causes mold to form inside the air conditioning unit. This advanced, efficient system reduces moisture in the coil. When you turn off your air conditioner, the internal fan activates and dries the moisture in the coil for 20 minutes, then turns off automatically.

Operation display	ON	OFF	OFF
FCU fan	ON rpm is depend on preseting.	ON rpm is SUL speed.	OFF
FCU louver	OPEN	CLOSE	CLOSE
Timer display	ON or OFF depend on preseting of timer function.	ON	ON or OFF depend on preseting of timer function.
Compressor	ON or OFF depend on preseting per room temperature.	OFF	OFF
CDU fan	ON or OFF depend on preseting per room temperature.	OFF	OFF

Turn off by remote controller  
or timer-off function.

- The Self-Cleaning function is set as default at ex-factory.
- Self-Cleaning operation can stop manually by press [⏻] button of the remote control two more time.

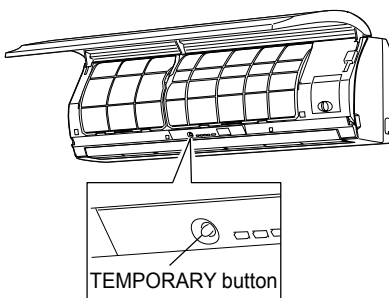
#### 7-9-1. How to cancel Self-Cleaning function

To cancel the Self-Cleaning function, proceed as follows:

- Press TEMPORARY button one time or use remote control to turn on air conditioner. The OPERATION display will show in orange color (When AUTO-RESTART is ON) or green color (When AUTO-RESTART is OFF).
- Hold down the TEMPORARY button for more than 20 seconds. (The air conditioner will stop suddenly when the TEMPORARY is pressed but keep holding it continue. Then will beep 3 times in the first 3 seconds but it is not related to Self-Cleaning function)
- After holding about 20 seconds, the air conditioner will beep 5 times without any blinking of display.
- The Self-Cleaning Operation had been cancelled.

#### Remarks

- Per setting of Self-Cleaning function above, AUTO-RESTART function had been cancelled. To set AUTO-RESTART again, please follow item 7-7-1.



#### 7-9-2. How to set Self-Cleaning function.

To set the Self-Cleaning function, proceed as follows.

- Press TEMPORARY button one time or use remote control to turn on air conditioner. The OPERATION display will show in orange color (When AUTO-RESTART is ON) or green color (When AUTO-RESTART is OFF).
- Hold down the TEMPORARY button for more than 20 seconds. (The air conditioner will stop suddenly when the TEMPORARY is pressed but keep holding it continue. Then will beep 3 times in the first 3 seconds but it is not related to Self-Cleaning function)
- After holding about 20 seconds, the air conditioner will beep 5 times and OPERATION display blinks 5 times.
- The Self-Cleaning function had been set.

#### Remarks

- Per setting of Self-Cleaning function above, AUTO-RESTART function had been cancelled. To set AUTO-RESTART again, please follow item 7-7-1.

**7-10. QUIET Mode**

Quiet mode is the system which, control the revolving speed of indoor fan to work constantly at lower than speed L. In addition, noise level of indoor unit is less than usual.

When the [QUIET] button is pressed, the fan of the indoor unit will be restricted the revolving speed at speed L - until the [QUIET] button is pressed once again (cancel Quiet mode).

Remarks :

- 1. Quiet mode is unable to work in dry mode.
- 2. Quiet mode is appropriate to work with less cooling load and less heating load condition. Because of the fan speed L- may cause not enough the cooling capacity or heating capacity.

**7-11. COMFORT SLEEP mode**

The principles of comfort sleep mode are:

- Quietness for more comfortable.
- Save energy by changing room temperature automatically.
- The air condition can shut down by itself automatically.

Remarks:

- 1. Comfort sleep mode will not operate in dry mode and fan only mode.
- 2. Comfort sleep mode is appropriate to work with less cooling load and less heating load condition. Because of the fan speed L- may cause not enough the cooling capacity or heating capacity.

**7-11-1. Cooling mode**

- The fan speed of indoor unit operates automatically, it relates with the compressor's operation.

Compressor's Operation	Fan Speed
ON	L-
OFF	SL

- The preset temperature will increase 1°C after the Comfort sleep mode has operated for 1 hour and the temperature will increase another 1°C after the comfort sleep mode has operated for 2 hour. (The value of the preset temperature on the remote control does not change.)
- Press the [COMFORT SLEEP] button to choose the operating hours. Repeat pressing to select the hours. (1hr, 3hr, 5hr or 9hr)
- If the [COMFORT SLEEP] button is pressed again means cancel comfort sleep mode.

**7-11-2. Heating mode**

- The fan speed of indoor unit operates automatically, it relates with the compressor's operation.

Compressor's Operation	Fan Speed
ON	L-
OFF	SL

- The preset temperature will drop down 1°C after the comfort sleep mode has operated for 1 hour and the temperature will decrease another 1°C after the comfort sleep mode has operated for 2 hour. (The value of the preset temperature on the remote control dose not change.)
- Press the [COMFORT SLEEP] button to choose the operating hours. Repeat pressing to select the hours. (1hr, 3hr, 5hr or 9 hr)
- If the [COMFORT SLEEP] button is pressed again means cancel comfort sleep mode.

## 8. INSTALLATION PROCEDURE

### 8-1. Safety Cautions

#### For general public use

Power supply cord of Outdoor unit shall be more than 4 mm<sup>2</sup> (H07RN-F or 245 IEC66 : polychloroprene sheathed flexible cord) or 3.5 mm<sup>2</sup> (AWG-12).

#### CAUTION

##### To Disconnect the Appliance from the Main Power Supply.

This appliance must be connected to the main power supply by means of a circuit breaker or a switch with a contact separation of at least 3 mm.

If this is not possible, a power supply plug with earth must be used. This plug must be easily accessible after installation. The plug must be disconnected from the power supply socket in order to disconnect the appliance completely from the mains.

#### DANGER

- FOR USE BY QUALIFIED PERSONS ONLY.
- TURN OFF MAIN POWER SUPPLY BEFORE ATTEMPTING ANY ELECTRICAL WORK. MAKE SURE ALL POWER SWITCHES ARE OFF. FAILURE TO DO SO MAY CAUSE ELECTRIC SHOCK.
- CONNECT THE CONNECTING CABLE CORRECTLY. IF THE CONNECTING CABLE IS CONNECTED WRONGLY, ELECTRIC PARTS MAY BE DAMAGED.
- CHECK THE EARTH WIRE THAT IT IS NOT BROKEN OR DISCONNECTED BEFORE INSTALLATION.
- DO NOT INSTALL NEAR CONCENTRATIONS OF COMBUSTIBLE GAS OR GAS VAPORS. FAILURE TO FOLLOW THIS INSTRUCTION CAN RESULT IN FIRE OR EXPLOSION.
- TO PREVENT OVERHEATING THE INDOOR UNIT AND CAUSING A FIRE HAZARD, PLACE THE UNIT WELL AWAY (MORE THAN 2 M) FROM HEAT SOURCES SUCH AS RADIATORS, HEATERS, FURNACE, STOVES, ETC.
- WHEN MOVING THE AIR-CONDITIONER FOR INSTALLING IT IN ANOTHER PLACE AGAIN, BE VERY CAREFUL NOT TO GET THE SPECIFIED REFRIGERANT (R410A) WITH ANY OTHER GASEOUS BODY INTO THE REFRIGERATION CYCLE. IF AIR OR ANY OTHER GAS IS MIXED IN THE REFRIGERANT, THE GAS PRESSURE IN THE REFRIGERATION CYCLE BECOMES ABNORMALLY HIGH AND IT RESULTINGLY CAUSES BURST OF THE PIPE AND INJURIES ON PERSONS.
- IN THE EVENT THAT THE REFRIGERANT GAS LEAKS OUT OF THE PIPE DURING THE INSTALLATION WORK, IMMEDIATELY LET FRESH AIR INTO THE ROOM. IF THE REFRIGERANT GAS IS HEATED BY FIRE OR SOMETHING ELSE, IT CAUSES GENERATION OF POISONOUS GAS.

#### WARNING

- Never modify this unit by removing any of the safety guards or bypassing any of the safety interlock switches.
- Do not install in a place which cannot bear the weight of the unit.  
Personal injury and property damage can result if the unit falls.
- Before doing the electrical work, attach an approved plug to the power supply cord.  
Also, make sure the equipment is properly earthed.
- Appliance shall be installed in accordance with national wiring regulations.  
If you detect any damage, do not install the unit. Contact your TOSHIBA dealer immediately.

#### CAUTION

- Exposure of unit to water or other moisture before installation could result in electric shock.  
Do not store it in a wet basement or expose to rain or water.
- After unpacking the unit, examine it carefully for possible damage.
- Do not install in a place that can increase the vibration of the unit. Do not install in a place that can amplify the noise level of the unit or where noise and discharged air might disturb neighbors.
- To avoid personal injury, be careful when handling parts with sharp edges.
- Please read this installation manual carefully before installing the unit. It contains further important instructions for proper installation.

### REQUIREMENT OF REPORT TO THE LOCAL POWER SUPPLIER

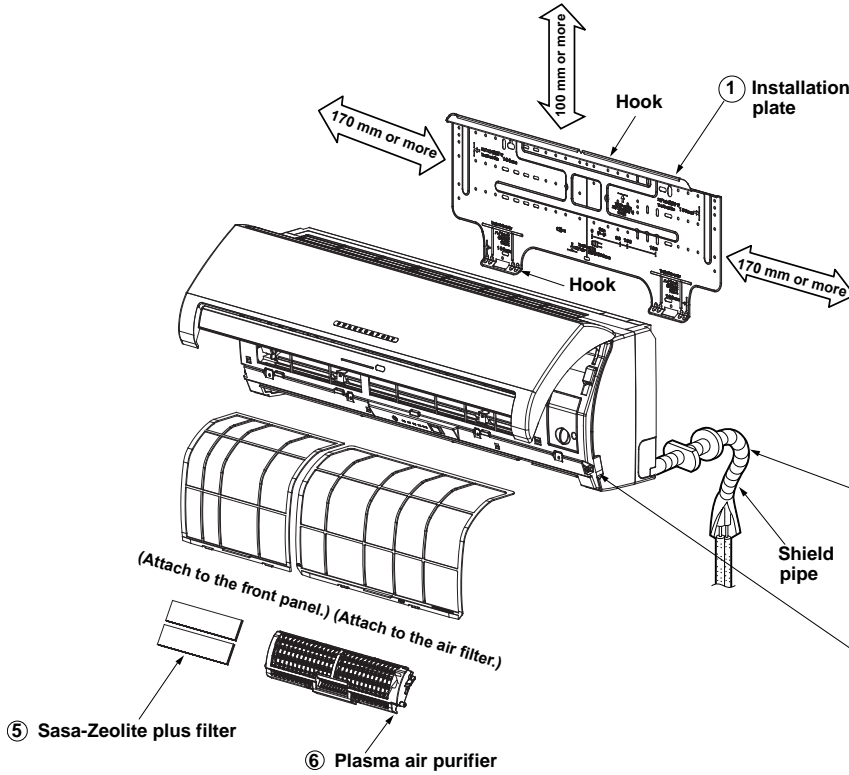
Please make absolutely sure that the installation of this appliance is reported to the local power supplier before installation. If you experience any problems, or if the installation is not accepted by the supplier, the service agency will take adequate countermeasures.

#### **Remark per EMC Directive 89/336/EEC (For Europe model only)**

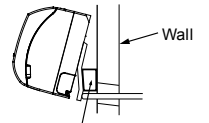
To prevent flicker impressions during the start of the compressor (technical process) following installation conditions do apply.

1. The power connection for the air conditioner has to be done at the main power distribution. This distribution has to be of an impedance.  
Normally the required impedance is reached at a 32A fusing point. Air conditioner fuse has to be 16A max.!
2. No other equipment should be connected to this power line.
3. For detailed installation acceptance, please contact your power supplier whether its restriction does apply for products like washing machines, air conditioners or electrical ovens.
4. For power details of the air conditioner, refer to the rating plate of the product.

## 8-2. Installation Diagram of Indoor and Outdoor Units

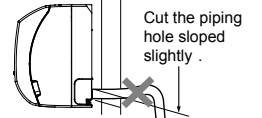


For the rear left and left piping



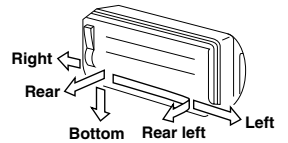
Insert the cushion between the indoor unit and wall, and tilt the indoor unit for better operation.

Do not allow the drain hose to get slack.

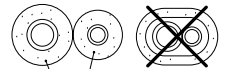


Make sure to run the drain hose sloped downward.

The auxiliary piping can be connected to the left, rear left, rear, right or bottom.



Insulate the refrigerant pipes separately with insulation, not together.

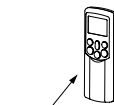
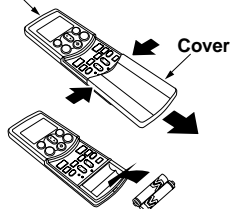


6 mm thick heat resisting polyethylene foam

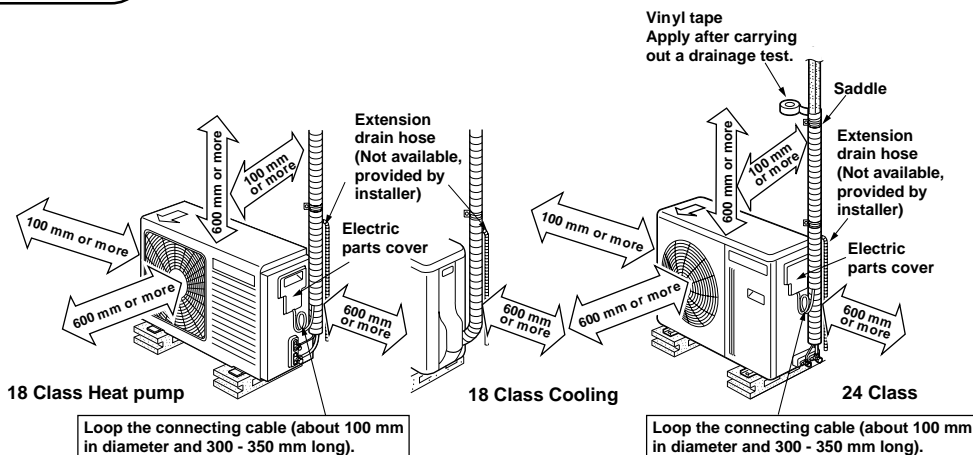
### Before installing the wireless remote control

• With the remote control cover open, load the batteries supplied correctly, observing their polarity.

2 Wireless remote control



2 Wireless remote control



### 8-3. Installation

#### 8-3-1. Optional installation parts

Part Code	Parts name	Q'ty
Ⓐ	Refrigerant piping Liquid side : $\varnothing 6.35$ mm Gas side : $\varnothing 12.70$ mm (18 series except RAS-18NKDX4-T2 / RAS-18UAX4-T2) : $\varnothing 15.88$ mm (24 series and RAS-18NKDX4-T2 / RAS-18UAX4-T2)	One each
Ⓑ	Pipe insulating material (polyethylene foam, 6 mm thick)	1
Ⓒ	Putty, PVC tapes	One each

#### <Fixing bolt arrangement of outdoor unit>

RAS-24UAH-E4, RAS-24UA-E4, RAS-24UAX4, RAS-24UA-AR4, RAS-24UAX3-T1, RAS-18UAX4-T2

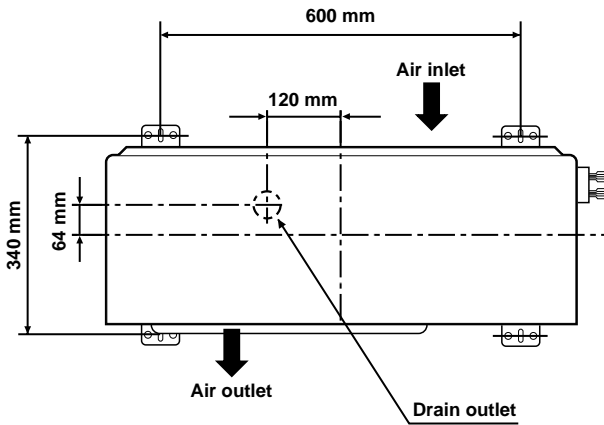


Fig. 8-3-1

RAS-18UAH-E4

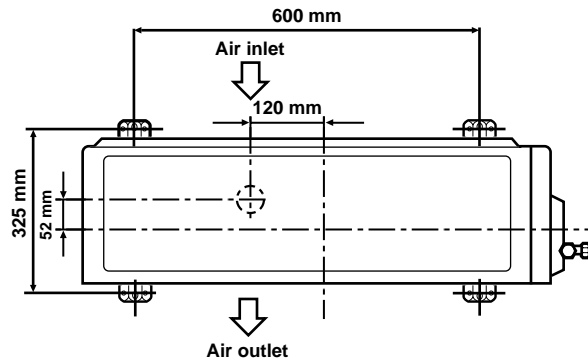


Fig. 8-3-2

RAS-18UA-E4, RAS-18UAX4, RAS-18UA-AR4

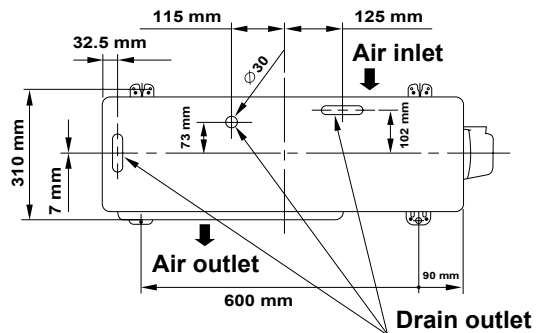
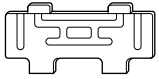
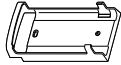
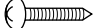
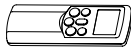
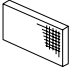

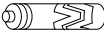
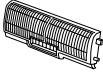
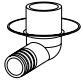


Fig. 8-3-3

- Secure the outdoor unit with fixing bolts and nuts if the unit is likely to be exposed to a strong wind.
- Use  $\varnothing 8$  mm or  $\varnothing 10$  mm anchor bolts and nuts.
- If it is necessary to drain the defrost water, attach drain nipple ⑨ to the bottom plate of the outdoor unit before installing it.

**8-3-2. Accessory and installation parts**

Part No.	Part name (Q'ty)	Part No.	Part name (Q'ty)	Part No.	Part name (Q'ty)
①	 Installation plate x 1	④	 Remote control holder x 1	⑦	 Mounting screw $\varnothing 4 \times 25\ell \times 8$
②	 Wireless remote control x 1	⑤	 Sasa-Zeolite plus filter x 2	⑧	 Pan head wood screw $\square$ $\varnothing 3.1 \times 16\ell \times 2$
③	 Battery x 2	⑥	 Plasma air purifier x 1	⑨	 Drain nipple * x 1 (For Heat pump model only)

**Others**

Name
Owner's manual
Installation manual

The part marked with asterisk (\*) is packaged with the outdoor unit.

## 8-4. Indoor Unit

### 8-4-1. Installation place

- A place which provides the spaces around the indoor unit as shown in the above diagram.
- A place where there is no obstacle near the air inlet and outlet.
- A place that allows easy installation of the piping to the outdoor unit.
- A place which allows the front panel to be opened.

### CAUTION

- Direct sunlight to the indoor unit's wireless receiver should be avoided.
- The microprocessor in the indoor unit should not be too close to RF noise sources.  
(For details, see the owner's manual.)

### <Remote control>

- A place where there are no obstacles such as a curtain that may block the signal from the indoor unit.
- Do not install the remote control in a place exposed to direct sunlight or close to a heating source, such as a stove.
- Keep the remote control at least 1 m apart from the nearest TV set or stereo equipment. (This is necessary to prevent image disturbances or noise interference.)
- The location of the remote control should be determined as shown below.

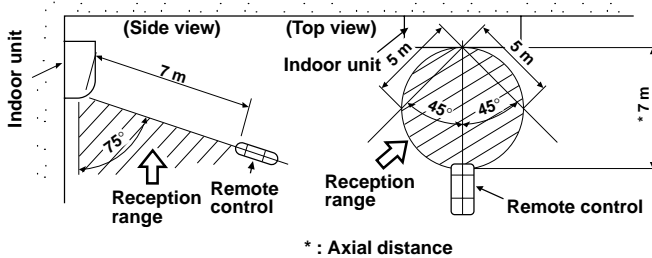


Fig. 8-4-1

### 8-4-2. Cutting a hole and mounting installation plate

#### <Cutting a hole>

When installing the refrigerant pipes from the rear.

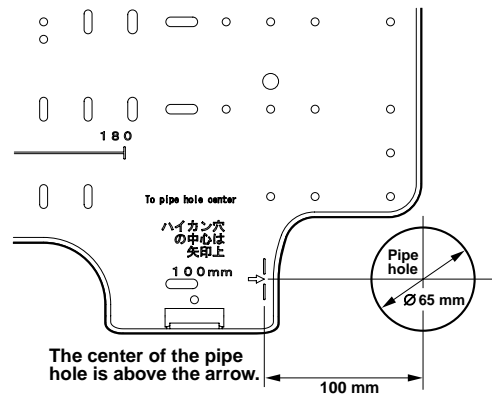


Fig. 8-4-2

1. After determining the pipe hole position on the mounting plate (⇒), drill the pipe hole (∅65 mm) at a slight downward slant to the outdoor side.

#### NOTE

- When drilling a wall that contains a metal lath, wire lath or metal plate, be sure to use a pipe hole brim ring sold separately.

#### <Mounting the installation plate>

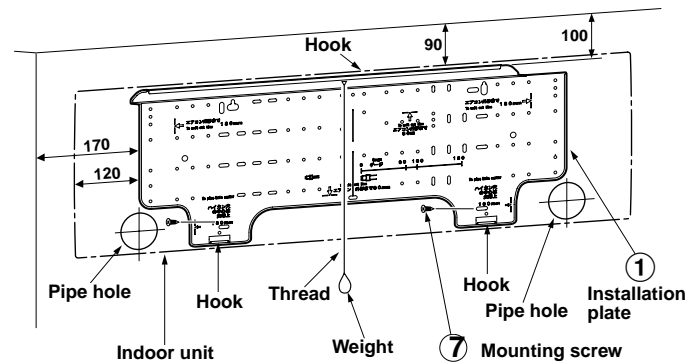


Fig. 8-4-3



**<When the installation plate is directly mounted on the wall>**

1. Securely fit the installation plate onto the wall by screwing it in the upper and lower parts to hook up the indoor unit.
2. To mount the installation plate on a concrete wall with anchor bolts, utilize the anchor bolt holes as illustrated in the above figure.
3. Install the installation plate horizontally in the wall.

**CAUTION**

When installing the installation plate with a mounting screw, do not use the anchor bolt hole. Otherwise the unit may fall down and result in personal injury and property damage.

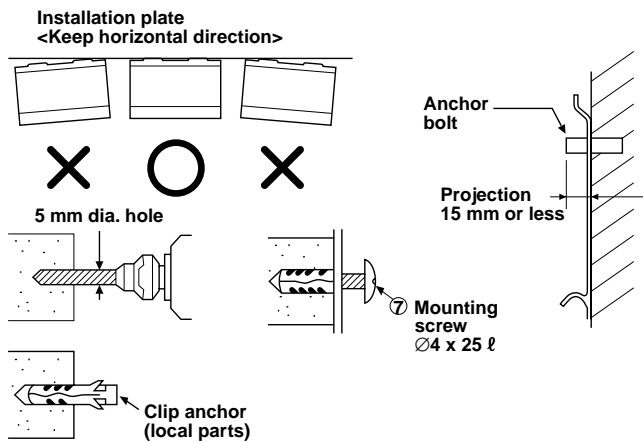


Fig. 8-4-4

**CAUTION**

Failure to firmly install the unit may result in personal injury and property damage if the unit falls.

- In case of block, brick, concrete or similar type walls, make 5 mm dia. holes in the wall.
- Insert clip anchors for appropriate ⑦ mounting screws.

**NOTE**

- Secure four corners and lower parts of the installation plate with 6 to 7 mounting screws to install it.

**8-4-3. Electrical work**

1. The supply voltage must be the same as the rated voltage of the air conditioner.
2. Prepare the power source for exclusive use with the air conditioner.

**NOTE**

- Wire type : More than 1.5 mm<sup>2</sup> (H07RN-F or 245 IEC66) or 1.3 mm<sup>2</sup> (AWG-16)

**CAUTION**

- This appliance can be connected to the mains in the following way.  
Connection to fixed wiring:  
A switch or circuit breaker which disconnects all poles and has a contact separation of at least 3 mm must be incorporate in the fixed wiring. An approved circuit breaker or switches must used.

**NOTE**

- Perform wiring works so as to allow a generous wiring capacity.

### 8-4-4. Wiring connection

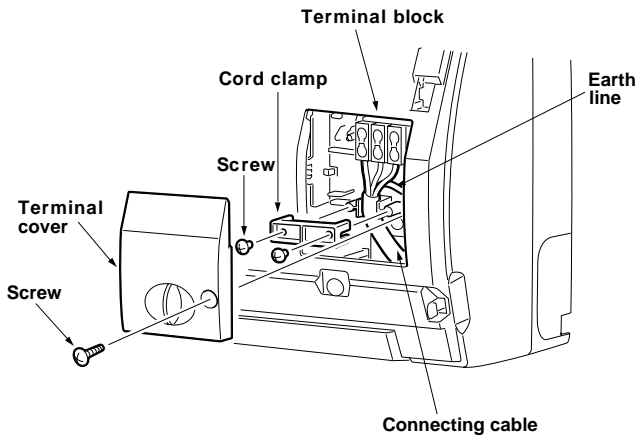
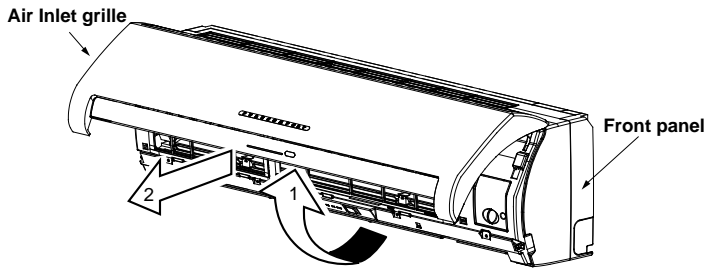


Fig. 8-4-5

#### <How to connect the connecting cable>

Wiring of the connecting cable can be carried out without removing of the front panel.

1. Remove the air inlet grille.  
Open the air inlet grille upward and pull it toward you.
2. Remove the terminal cover and cord clamp.
3. Insert the connecting cable (according to local cords) into pipe hole on the wall.
4. Take out the connecting cable through the cable slot on the rear panel so that it protrudes about 15 cm from the front.
5. Insert the connecting cable fully into the terminal block and secure it tightly with screws.
6. Tightening torque : 1.2 N·m (0.12 kgfám).
7. Secure the connecting cable with the cord clamp.
8. Fix the terminal cover, rear plate bushing and air inlet grille on the indoor unit.

### CAUTION

- Be sure to refer to the wiring system diagram labeled inside the front panel.
- Check local electrical cords and also any specific wiring instructions or limitations.

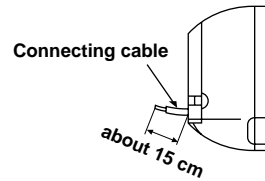


Fig. 8-4-6

#### <Stripping length of connecting cable>

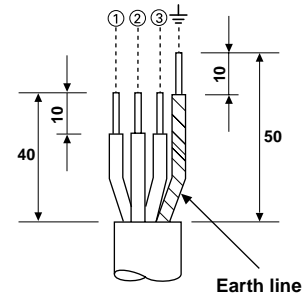


Fig. 8-4-7

### NOTE

Use stranded wire only.

- Wire type : More than 1.5 mm<sup>2</sup> (H07RN-F or 245 IEC66) or 1.3 mm<sup>2</sup> (AWG-16)

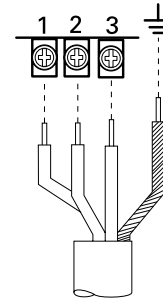


Fig. 8-4-8

### NOTE

Connect the earth line to the metallic part (⊥ mark) located at the side of 3P terminal.

#### <How to install the air inlet grille on the indoor unit>

- When attaching the air inlet grille, the contrary of the removed operation is performed.

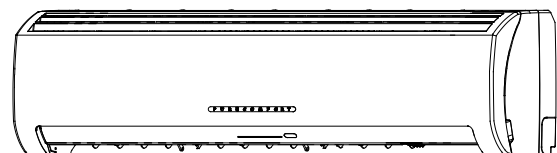


Fig. 8-4-9

### 8-4-5. Piping and Drain Hose Installation

#### <In case of rightward piping>

- After scribing slits of the body-right by a knife or a making-off pin, cut them by a pair of nippers or the like.

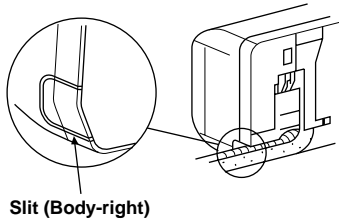


Fig. 8-4-10

#### <In case of downward piping>

- After scribing slits of the body-right by a knife or a making-off pin, cut them by a pair of nippers or the like.

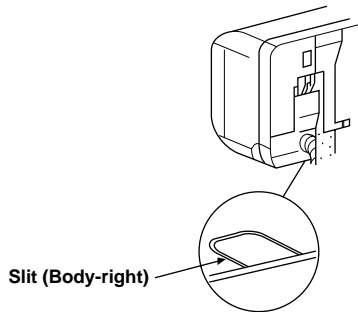


Fig. 8-4-11

#### <Left-hand connection with piping>

Bend the connecting pipe so that it is laid within 43 mm above the wall surface. If the connecting pipe is laid exceeding 43 mm above the wall surface, the indoor unit may unstably be set on the wall. When bending the connecting pipe, make sure to use a spring bender so as not to crush the pipe.

**Bend the connection pipe within a radius of 30 mm.**

To connect the pipe after installation of the unit (figure)

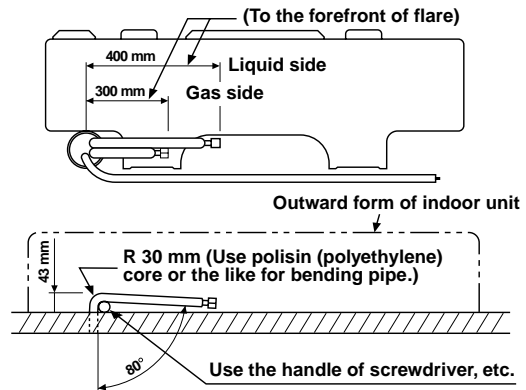


Fig. 8-4-12

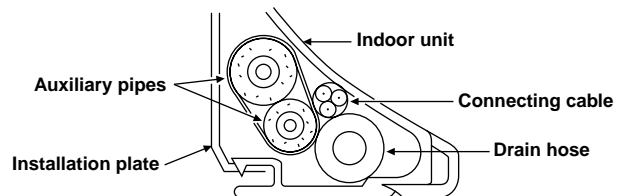
#### NOTE

If the pipe is bent incorrectly, the indoor unit may unstably be set on the wall.

After passing the connecting pipe through the pipe hole, connect the connecting pipe to the auxiliary pipes and wrap the facing tape around them.

#### CAUTION

- Bind the auxiliary pipes (two) and connecting cable with facing tape tightly. In case of leftward piping and rear-leftward piping, bind the auxiliary pipes (two) only with facing tape.



- Carefully arrange pipes so that any pipe does not stick out of the rear plate of the indoor unit.
- Carefully connect the auxiliary pipes and connecting pipes to each other and cut off the insulating tape wound on the connecting pipe to avoid double-taping at the joint, moreover, seal the joint with the vinyl tape, etc.
- Since dewing results in a machine trouble, make sure to insulate both the connecting pipes. (Use polyethylene foam as insulating material.)
- When bending a pipe, carefully do it not to crush it.

### 8-4-6. Indoor unit fixing

1. Pass the pipe through the hole in the wall, and hook the indoor unit on the installation plate at the upper hooks.
2. Swing the indoor unit to right and left to confirm that it is firmly hooked up on the installation plate.
3. While pressing the indoor unit onto the wall, hook it at the lower part on the installation plate. Pull the indoor unit toward you to confirm that it is firmly hooked up on the installation plate.

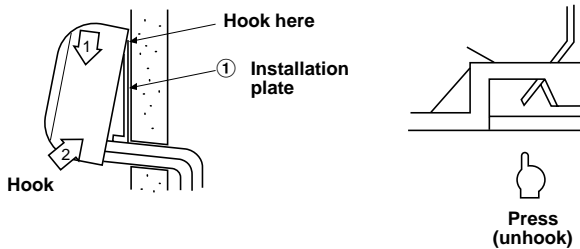


Fig. 8-4-13

- For detaching the indoor unit from the installation plate, pull the indoor unit toward you while pushing its bottom up at the specified parts.

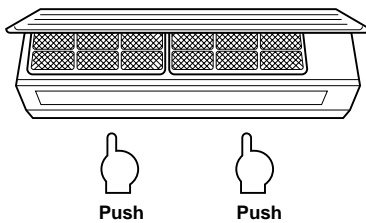


Fig. 8-4-14

### 8-4-7. Drainage

1. Run the drain hose sloped downwards.

#### NOTE

- Hole should be made at a slight downward slant on the outdoor side.

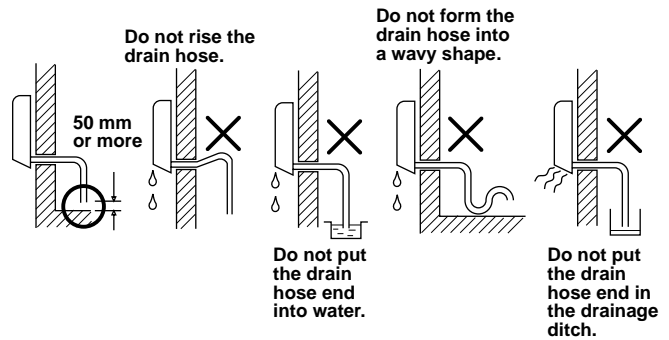


Fig. 8-4-15

2. Put water in the drain pan and make sure that the water is drained out of doors.
3. When connecting extension drain hose, insulate the connecting part of extension drain hose with shield pipe.

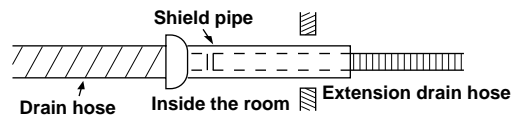


Fig. 8-4-16

#### CAUTION

Arrange the drain pipe for proper drainage from the unit.  
Improper drainage can result in dew-dropping.

This air conditioner has the structure designed to drain water collected from dew, which forms on the back of the indoor unit, to the drain pan. Therefore, do not store the power cord and other parts at a height above the drain guide.

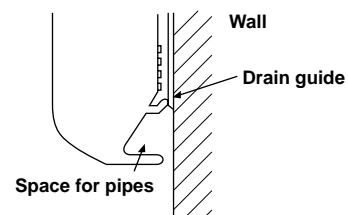


Fig. 8-4-17

## 8-5. Outdoor Unit

### 8-5-1. Installation place

- A place which provides the spaces around the outdoor unit as shown in the left diagram.
- A place which can bear the weight of the outdoor unit and does not allow an increase in noise level and vibration.
- A place where the operation noise and discharged air do not disturb your neighbors.
- A place which is not exposed to a strong wind.
- A place free of a leakage of combustible gases.
- A place which does not block a passage.
- When the outdoor unit is to be installed in an elevated position, be sure to secure its feet.
- An allowable length of the connecting pipe is up to 15 m. (Refer to the table of **TO CHARGE REFRIGERANT** for detail.)
- An allowable height level is up to 8 m. (RAS-18UA) or 10 m. (RAS-24UA)
- A place where the drain water does not raise any problem.

### CAUTION

1. Install the outdoor unit without anything blocking the air discharging.
2. When the outdoor unit is installed in a place exposed always to a strong wind like a coast or on a high story of a building, secure the normal fan operation using a duct or a wind shield.
3. Specially in windy area, install the unit to prevent the admission of wind.
4. Installation in the following places may result in trouble.
 

Do not install the unit in such places.

  - A place full of machine oil.
  - A saline-place such as the coast.
  - A place full of sulfide gas.
  - A place where high-frequency waves are likely to be generated as from audio equipment, welders, and medical equipment.

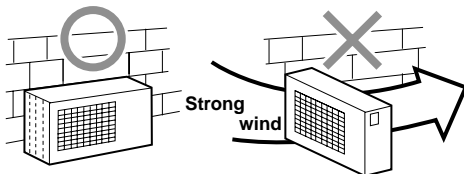


Fig. 8-5-1

### 8-5-2. Refrigerant piping connection

1. Cut the pipe with a pipe cutter.

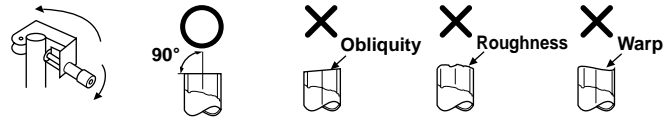


Fig. 8-5-2

2. Insert a flare nut into the pipe, and flare the pipe.
  - Projection margin in flaring : A (Unit : mm)

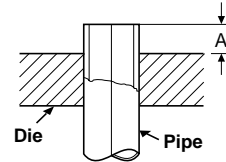


Fig. 8-5-3

Outer dia. of copper pipe	A	
	Rigid	Imperial
6.35	1.0 to 1.5	1.5 to 2.0
12.70	1.0 to 1.5	2.0 to 2.5
15.88	1.0 to 1.5	2.0 to 2.5

### <Tightening connection>

Align the centers of the connecting pipes and tighten the flare nut as far as possible with your fingers. Then tighten the nut with a spanner and torque wrench as shown in the figure.

### CAUTION

- Do not apply excess torque.
- Otherwise, the nut may crack depending on the conditions.

(Unit : N·m) **8-5-3. Evacuating**

Outer dia. of copper pipe	Tightening torque
Ø6.35 mm	16 to 18 (1.6 to 1.8 kgf·m)
Ø12.70 mm	50 to 62 (5.0 to 6.2 kgf·m)
Ø15.88 mm	65 to 80 (6.5 to 8.0 kgf·m)

After the piping has been connected to the indoor unit, you can perform the air purge together at once.

**AIR PURGE**

Evacuate the air in the connecting pipes and in the indoor unit using a vacuum pump. Do not use the refrigerant in the outdoor unit. For details, see the manual of the vacuum pump.

- Tightening torque of flare pipe connections

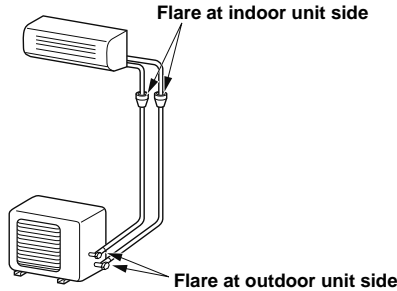


Fig. 8-5-4

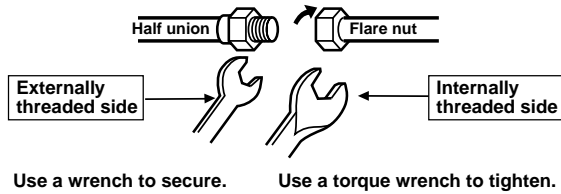


Fig. 8-5-5

**CAUTION**

- **KEEP IMPORTANT 4 POINTS FOR PIPING WORK**
  - (1) Take away dust and moisture (Inside of the connecting pipes.)
  - (2) Tight connection (between pipes and unit)
  - (3) Evacuate the air in the connecting pipes using VACUUM PUMP.
  - (4) Check gas leak (connected points)

**<Using a vacuum pump>**

Be sure to use a vacuum pump with counter-flow prevention function so that inside oil of the pump does not flow backward into pipes of the air conditioner when the pump stops.

1. Connect the charge hose from the manifold valve to the service port of the gas side packed valve.
2. Connect the charge hose to the port of vacuum pump.
3. Open fully the low pressure side handle of the gauge manifold valve.
4. Operate the vacuum pump to start for evacuating. Perform evacuating for about 15 minutes if the piping length is 20 meters. (15 minutes for 20 meters) (assuming a pump capacity of 27 liters per minute.) Then confirm that the compound pressure gauge reading is  $-101$  kPa ( $-76$  cmHg).
5. Close the low pressure side valve handle of gauge manifold.
6. Open fully the valve stem of the packed valves (both side of Gas and Liquid).
7. Remove the charging hose from the service port.
8. Securely tighten the caps on the packed valves.

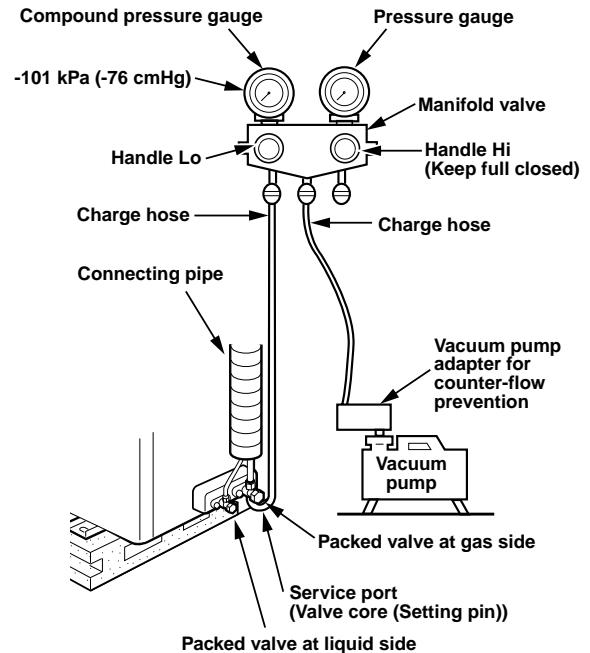


Fig. 8-5-6

TO CHARGE REFRIGERANT		
Refrigerant	RAS-24NKHD-E4 / RAS-24UAH-E4 RAS-24NKD-E4 / RAS-24UA-E4 RAS-24NKDX4 / RAS-24UAX4 RAS-24NKD-AR4 / RAS-24UA-AR4 RAS-24NKDX4-T / RAS-24UAX3-T1	RAS-18NKHD-E4 / RAS-18UAH-E4 RAS-18NKD-E4 / RAS-18UA-E4 RAS-18NKDX4 / RAS-18UAX4 RAS-18NKD-AR4 / RAS-18UA-AR4 RAS-18NKDX4-T2 / RAS-18UAX4-T2
No need to charge extra refrigerant	15 m or less	15 m or less
Need to charge extra refrigerant	Over 15 m up to 25 m (20 g/m)	Over 15 m up to 20 m (20 g/m)

<Stripping length of connecting cable>

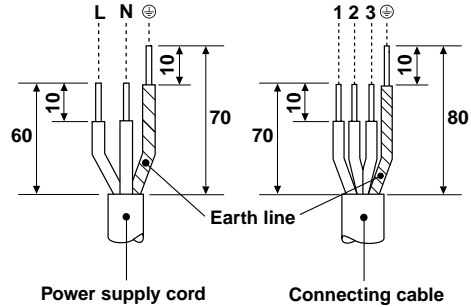
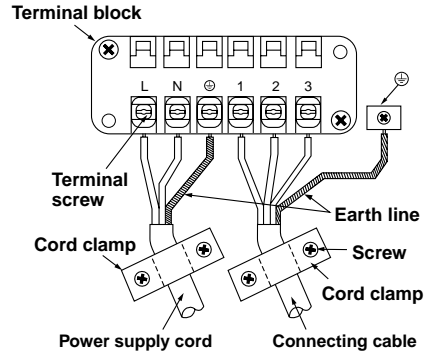


Fig. 8-5-8

<Packed valve handling precautions>

- Open the valve stem all the way out; but do not try to open it beyond the stopper.
- Securely tighten the valve stem cap with torque in the following table:

Gas side	Tightening torque	A
Gas side (Ø15.88 mm)	65 to 80 N·m (6.5 to 8.0 kgf·m)	5 mm
Gas side (Ø12.70 mm)	60 to 62 N·m (6.0 to 6.2 kgf·m)	4 mm
Liquid side (Ø6.35 mm)	16 to 18 N·m (1.6 to 1.8 kgf·m)	Same as Gas side
Service port	9 to 10 N·m (0.9 to 1.0 kgf·m)	

- Hexagonal wrench : A (Unit : mm)

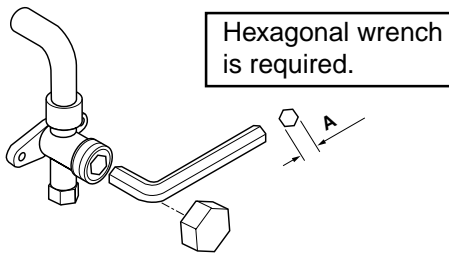


Fig. 8-5-7

8-5-4. Wiring connection

1. Remove the valve cover from the outdoor unit.
2. Connect the connecting cable to the terminal as identified with their respective matched numbers on the terminal block of indoor and outdoor unit.
3. When connecting the connecting cable to the outdoor unit terminal, make a loop as shown in the installation diagram of indoor and outdoor unit, to prevent water coming in the outdoor unit.
4. Insulate the unused cords (conductors) from any water coming in the outdoor unit. Proceed them so that they do not touch any electrical or metal parts.

Model	RAS-24NKHD-E4 / RAS-24UAH-E4 RAS-24NKD-E4 / RAS-24UA-E4 RAS-24NKDX4 / RAS-24UAX4 RAS-24NKD-AR4 / RAS-24UA-AR4 RAS-24NKDX4-T / RAS-24UAX3-T1	RAS-18NKHD-E4 / RAS-18UAH-E4 RAS-18NKD-E4 / RAS-18UA-E4 RAS-18NKDX4 / RAS-18UAX4 RAS-18NKD-AR4 / RAS-18UA-AR4 RAS-18NKDX4-T2 / RAS-18UAX4-T2
Power source	50 Hz, 220 –240V Single phase 50 Hz, 220 V Single phase (For RAS-24NKDX4-T / RAS-24UAX3-T1 and RAS-18NKDX4-T2 / RAS-18UAX4-T2 model)	
Maximum running current	18A	16A
Plug socket & fuse rating	20A	20A
Power cord	4 mm <sup>2</sup> (H07RN-F or 245 IEC66) or 3.5 mm <sup>2</sup> (AWG-12)	

**CAUTION**

- Wrong wiring connection may cause some electrical parts burn out.
- Be sure to comply with local codes on running the wire from indoor unit to outdoor unit (size of wire and wiring method etc).
- Every wire must be connected firmly.

**NOTE: Connecting cable**

- Wire type: More than 1.5 mm<sup>2</sup> (H07RN-F or 245 IEC66) or 1.3 mm<sup>2</sup> (AWG-16)

## 8-6. How to Set Remote Control Selector Switch

When two indoor units as installed in separated rooms, there is no need to change the selector switch.

### <Remote control selector switch>

- When two indoor units are installed in the same room or the adjacent two rooms, they may be controlled simultaneously with a single remote control. To prevent this, set either unit and its remote control to B setting. (Both units are set to A setting before shipment.)
- The remote control signal is not received when the indoor unit setting is different from the remote control one.

#### 1. Set the remote control selector switch with the indoor unit.

- 1) Turn the circuit breaker of the main power switch off before setting the selector switch.
- 2) Remove the Air inlet grille and Front panel. (Refer to Chapter 10-1, procedure ①)
- 3) Open the Electrical part cover (Refer to chapter 10-1, procedure ②), then cut the jumper (J90) with only the nippers.

### CAUTION

Do not use any other sharp tools (such as cutters, pliers, or the like), Such tools may cause breakage or damage.

See Fig. 8-6-1

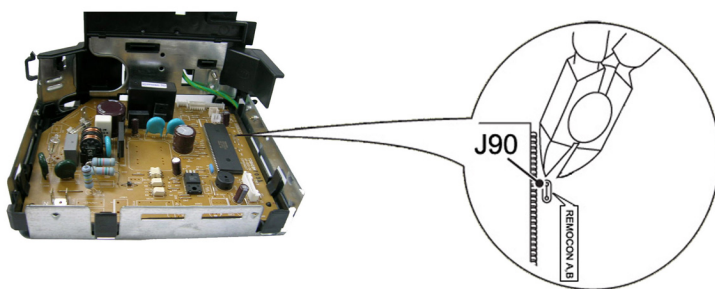


Fig. 8-6-1

#### 2. Set the remote control selector switch with the remote control

[B] is indicated on the liquid crystal display when setting remote control from A to B. [A] is not indicated on the display even if the selector is set to A.

- 1) Load the remote control with the batteries.
  - 2) Press the [CHECK] button using something with sharp point. (The preset temperature on the remote control changes to [00].)
  - 3) Press the [MODE] button while pressing the [CHECK] button, [B] is indicated at the right of the present temperature display.
- To reset the switch to the [A] setting, press the [MODE] button again while pressing the [CHECK] button.

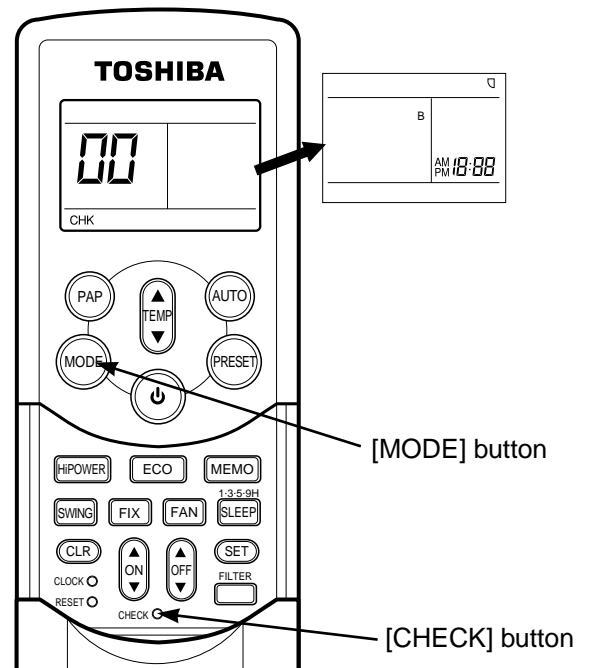


Fig. 8-6-2

#### 3. Confirm that the indoor unit can operate with the new setting.



## 8-7. Others

### 8-7-1. Gas leak test

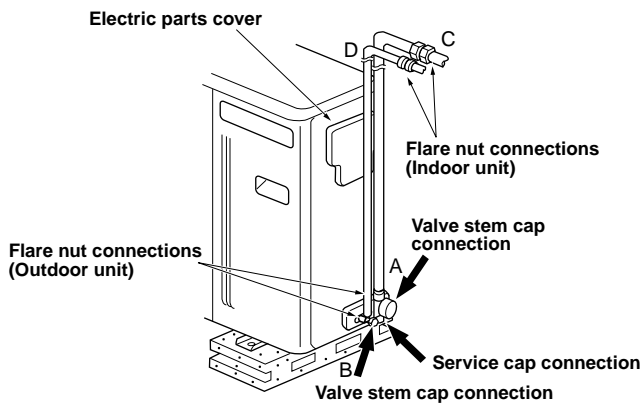


Fig. 8-7-1

- Check the flare nut connections, valve stem cap connections and service port cap connections for gas leak with a leak detector or soap water.

### 8-7-2. Test operation

To switch the TEST RUN (COOL) mode, press TEMPORARY button for 10 sec.  
(The beeper will make a short beep.)

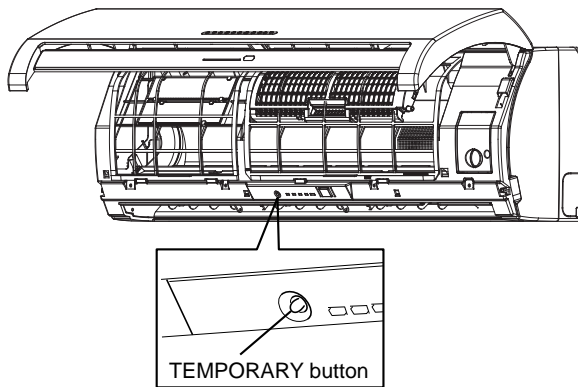


Fig. 8-7-2

### 8-7-3. Auto restart setting

This product is designed so that, after a power failure, it can restart automatically in the same operating mode as before the power failure.

#### Information

The product was shipped with Auto Restart function in the off position. Turn it on as required.

#### <How to set the auto restart>

- Press and hold the TEMPORARY button for about 3 seconds. After 3 seconds, the electronic beeper makes three short beeps to tell you the Auto Restart has been selected.
- To cancel the Auto Restart, follow the steps described in the section Auto Restart Function of the Owner's Manual.

## 9. TROUBLESHOOTING CHART

### 9-1. Troubleshooting Procedure :

Follow the details of **9-2. Basic Check Items**.  
If there is no trouble corresponding to **9-2**, check whether or not there are faulty parts following **9-4. Self-Diagnosis by Remote Control**.

### 9-2. Basic Check Items

#### 9-2-1. Power supply voltage

The line voltage must be AC 220 – 240 V. If it is not within this range, the air conditioner may not operate normally.

#### 9-2-2. Incorrect cable connection between Indoor and outdoor units

The indoor unit is connected to the outdoor unit with 4 cables. Check that the indoor and outdoor units have been properly connected with terminals assigned the same numbers. If the connectors are not properly connected, the outdoor unit will not operate normally, or OPERATION lamp and TIMER lamp will blink (5 Hz).

#### 9-2-3. Program control

The microcontroller operates as shown in Table 9-2-1 to control the air conditioner. If there are any operational problems, check whether or not the problems correspond to Table 9-2-1. If they correspond to the Table, they are not problems with the air conditioner, but they are indispensable operations to control and maintain the air conditioner properly.

Table 9-2-1

No.	Operation of air conditioner	Descriptions
1	When the main power supply is turned on, the OPERATION lamp on the indoor unit blinks.	The OPERATION lamp blinks to indicate that power is turned on. If the [⏻] button is pressed, the lamp stops blinking.
2	The indoor fan motor speed does not change in the Dry operation.	The indoor fan motor speed is automatically controlled in the Dry operation.
3	The compressor is not turned off even though the room temperature is in the range that the compressor is turned off.	The compressor has a function that it is not turned off for 3 minutes after it is turned on even though the room temperature is in the range that the compressor is turned off.
4	The compressor is not turned on and off even though the thermo control is operated in the Dry operation.	In the Dry operation, the compressor is turned on and off automatically at the regular intervals, independent of the thermo control.
*5	The PRE-DEF. lamp is indicated when the Heating operation starts.	The PRE-DEF. lamp is indicated during the Defrosting operation or if the indoor heat exchanger temperature is low when the Heating operation starts. At this time, the indoor fan motor stops to prevent cold air from blowing in the room.
*6	The outdoor fan motor stops in the Heating operation.	When the indoor heat exchanger temperature is high, the outdoor fan motor is stopped by the high-temperature limit control operation.
7	The compressor is not turned on even though the room temperature is in the range that the compressor is turned on.	The compressor is not turned on in the restart delay timer (3-minutes timer) operation. It is also not turned on after the power supply is turned on because of this timer operation.
8	The operation mode changes in the Automatic operation.	In Automatic operation, the room temperature is detected all time for control fan speed and the operation mode is changed every 15 minutes according to difference between the room temperature and the preset temperature.
9	The Fan only operation continues in the Automatic operation.	When the room temperature is in the range (Preset temperature $\pm 1^{\circ}\text{C}$ ), the Fan only operation is selected.
10	The ECO operation or Hi-POWER operation does not work.	These operations do not work when the unit is in the Dry operation or Fan only operation.
11	When [Hi POWER] button is pressed, the display on the remote control does not change at all.	The display on the remote control does not change when [Hi POWER] button is pressed. However the microcontroller gives commands to change the preset temperature and air flow level.

Note \*5 and \*6 are for Heat pump model :

### 9-3. Primary Judgement

#### 9-3-1. Role of indoor unit controller

The indoor unit controller receives the operation commands from the remote control and executes them.

- Temperature measurement at the air outlet of the indoor heat exchanger by the indoor temperature sensor
- Temperature setting of the indoor heat exchanger by the heat exchanger sensor
- Louver motor control
- Indoor fan motor operation control
- LED display control
- Transferring of operation commands to the outdoor unit

#### 9-3-2. Failure diagnosis

The indoor unit diagnoses the operation condition and indicates the information of the self-diagnosis with the lamps on the display panel of the indoor unit.

**Table 9-3-1**

	Lamps	Self-diagnosis
A	OPERATION lamp is blinking. (1 Hz)	Power failure (when the power supply is turning on)
B	OPERATION lamp is blinking. (5 Hz)	Thermo sensor (TA) short or break
C	OPERATION lamp is blinking. (5 Hz)	Heat exchanger sensor (TC) short or break
D	OPERATION lamp is blinking. (5 Hz)	Indoor fan motor lock or failure
E	OPERATION lamp is blinking. (5 Hz)	Indoor P.C. board failure
F	OPERATION and TIMER lamps are blinking. (5 Hz)	Wrong wiring of connecting cable
G	OPERATION, TIMER and PRE-DEF. (or FAN ONLY for cooling only model) lamps are blinking.	Cycle failure <ul style="list-style-type: none"> <li>• Gas shortage or other refrigerant cycle trouble</li> <li>• Heat exchanger sensor open, break or short</li> <li>• Overload relay or thermostat trouble of compressor</li> </ul>

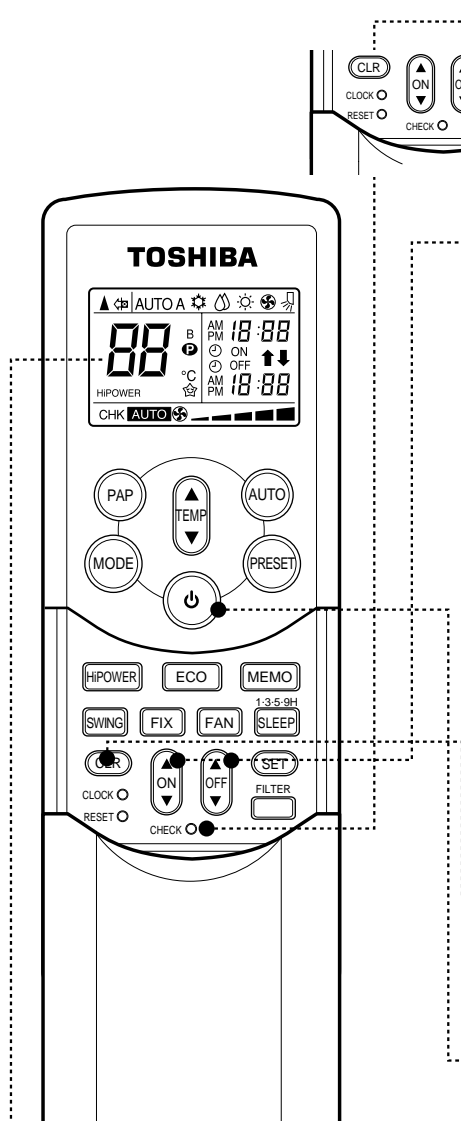
**Table 9-3-2 Diagnosis by detective operation**

Symptom	Check	Primary judgement	
The remote control does not work.	Turn off the power supply once, then turn it on. Try to operate the remote control.	The remote control still does not work.	The indoor unit (and/or remote control) is/are defective.
		The remote control works.	OK.
The outdoor fan does not rotate.	The compressor operates.	The outdoor unit (Outdoor fan motor) is defective.	
	The compressor does not operate.	An internal part of the compressor or P.C. board is defective.	

## 9-4. Self-Diagnosis by Remote Control (Check Code)

- (1) If the lamps are indicated as shown B to G in Table 9-3-1, exchanger the self-diagnosis by the remote control.
- (2) When the remote control is set to the service mode, the indoor controller diagnoses the operation condition and indicate the information of the self-diagnosis on the display of the remote control with the check codes. If a fault is detected, all lamps on the indoor unit will blink at 5Hz and it will beep for 10 seconds (Pi, Pi, Pi...). The timer lamp usually blinks (5Hz) during the self-diagnosis.

### 9-4-1. How to use remote control in service mode



- (1) Press [CHECK] button with a tip of pencil to set the remote control to the service mode.
  - “00” is indicated on the display of the remote control.
  - The timer lamp on the indoor unit blinks continuously. (5 times per 1 sec.)

- (2) Press [ON ▲] or [OFF ▼] button. If there is no fault with a code, the indoor unit will beep once (Pi) and the display of the remote control will change as follows:

→ 00 → 01 → 02 ... 1d → 1E → 33

- Check the unit with all 52 check codes (00 to 33), as shown in Table 9-4-1.
- Press [ON ▲] or [OFF ▼] button to change the check code backwards.

If there is a fault, the indoor unit will beep for 10 seconds (Pi, Pi, Pi...). Note the check code on the display of the remote control.

- 2-digits alphanumeric will be indicated on the display.
- All lamps on the indoor unit will blink. (5 times per 1 sec.)

- (3) Press [CLR] button. After service finish for clear service code in memory.
  - “7F” is indicated on the display of the remote control.

- (4) Press [⏻] button to release the service mode.
  - The display of the remote control returns to as it was before service mode was engaged.

- Alphanumeric characters are used for the check code.

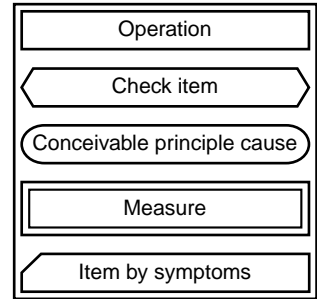
*S* is 5.    *B* is 6.  
*A* is A.    *b* is B.  
*L* is C.    *d* is D.

- (5) Time shortening method.
  1. Press [SET] button while pressing [CHECK] button.
  2. Press [⏻] button.

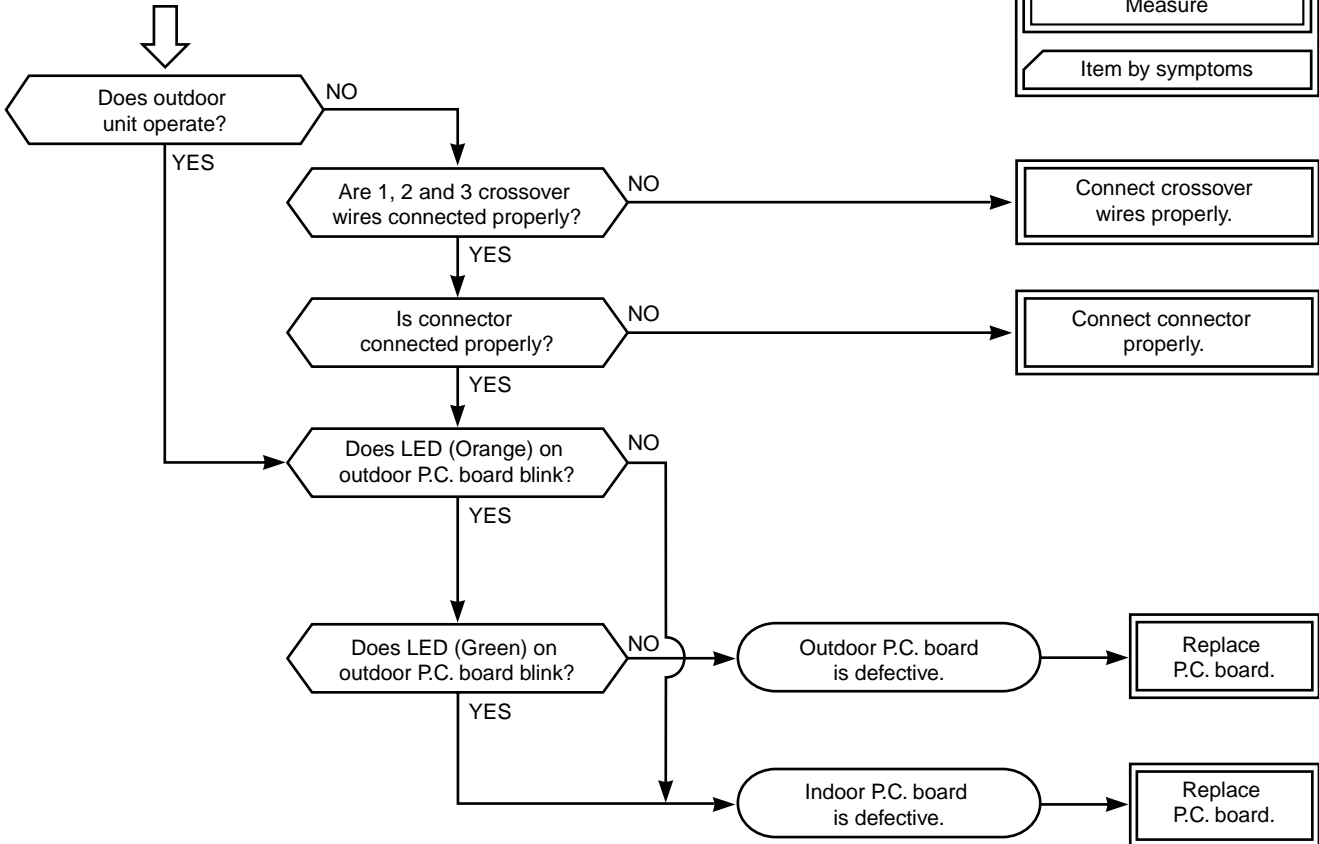
Table 9-4-1

Block level		Diagnosis function				Judgement and action
Check code	Block	Check code	Symptom	Unit status	Condition	
00	Indoor P.C. board	00	The indoor thermo sensor (TA) is defective. Disconnection or short-circuit	Operation continues.	The lamp on the indoor unit blinks when error is detected.	1. Check the indoor thermo sensor (TA). 2. Check the indoor P.C. board.
		0d	The indoor heat exchanger sensor (TC) is defective. Disconnection or short-circuit	Operation continues.	The lamp on the indoor unit blinks when error is detected.	1. Check the indoor heat exchanger sensor (TC). 2. Check the indoor P.C. board.
		11	The indoor fan motor or its circuit is defective.	All off	The lamp on the indoor unit blinks when error is detected.	1. Check the connector circuit of the indoor fan motor (CN10). 2. Check the indoor fan motor. 3. Check the indoor P.C. board.
		12	The part other than the above parts on the indoor P.C. board is defective. EEPROM access error	Operation continues.	The lamp on the indoor unit blinks when error is detected.	1. Check the indoor P.C. board. (EEPROM and peripheral circuits)
		21	IOL operation	All off	The lamp on the indoor unit blinks when error is detected.	Overload operation of refrigerating cycle
01	Cable connection	04	The serial signals can not be transmitted and received between indoor and outdoor units. • The crossover wire is connected wrongly. • The serial signal transmitting circuit on the outdoor P.C. board is defective. • The serial signal receiving circuit on the indoor P.C. board is defective.	Operation continues.	The lamp on the indoor unit blinks when error is detected.	1. In the case of the outdoor unit not operating at all; • Check the crossover cable and connect it properly. • Check the outdoor P.C. board. 2. In the case of the outdoor unit operating normally; • Check whether or not both of serial LED (Green) and serial LED (Orange) is blinking. If the serial LED (Green) is not blinking, check the outdoor P.C. board. If the serial LED (Orange) is not blinking, check the indoor P.C. board.
		05	The operation command signals are not transmitted from the indoor unit to the outdoor unit.	Operation continues.	The lamp on the indoor unit blinks when error is detected. And it returns to the normal condition when recovering from errors.	If the operation command signals continue to be transmitted between ② and ③ of the indoor terminal block, replace the outdoor P.C. board.
02	Outdoor P.C. board	18	The outdoor thermo sensor (TE) is defective. Disconnection or short-circuit	All off	The lamp on the indoor unit blinks when error is detected.	1. Check the outdoor thermo sensor (TE). 2. Check the outdoor P.C. board.
		19	The outdoor heat exchanger (TD) sensor is defective. Disconnection or short-circuit	All off	The lamp on the indoor unit blinks when error is detected.	1. Check the outdoor heat exchanger sensor (TD). 2. Check the outdoor P.C. board.
03	Other parts (including compressor)	07	The reply serial signal has been transmitted when starting the unit, but stops being transmitted shortly after. 1. Compressor thermo operation • Gas shortage • Gas leak 2. Instantaneous power failure	Operation continues.	The lamp on the indoor unit blinks when error is detected. And it returns to the normal condition when recovering from errors.	1. Repeatedly turn the indoor unit on and off with the interval of approx. 10 to 40 minutes. (The check code is not indicated during operation.) And supply gas. (Check gas leak.) 2. The indoor unit operates normally during the check. If the reply serial signal continues to be transmitted between ② and ③ of the indoor terminal block, replace the outdoor P.C. board. If the signal stops between them, replace the indoor P.C. board.
		1E	The discharge temperature is over 120°C.	All off	The lamp on the indoor unit blinks when error is detected.	1. Check the heat exchanger sensor (TD). 2. Gas purging
		20	The IOL operation is defective.	All off	The lamp on the indoor unit blinks when error is detected.	When turning on the unit, the normal phase (RST) is detected but T-R waveform has not been detected for 120 seconds or more.

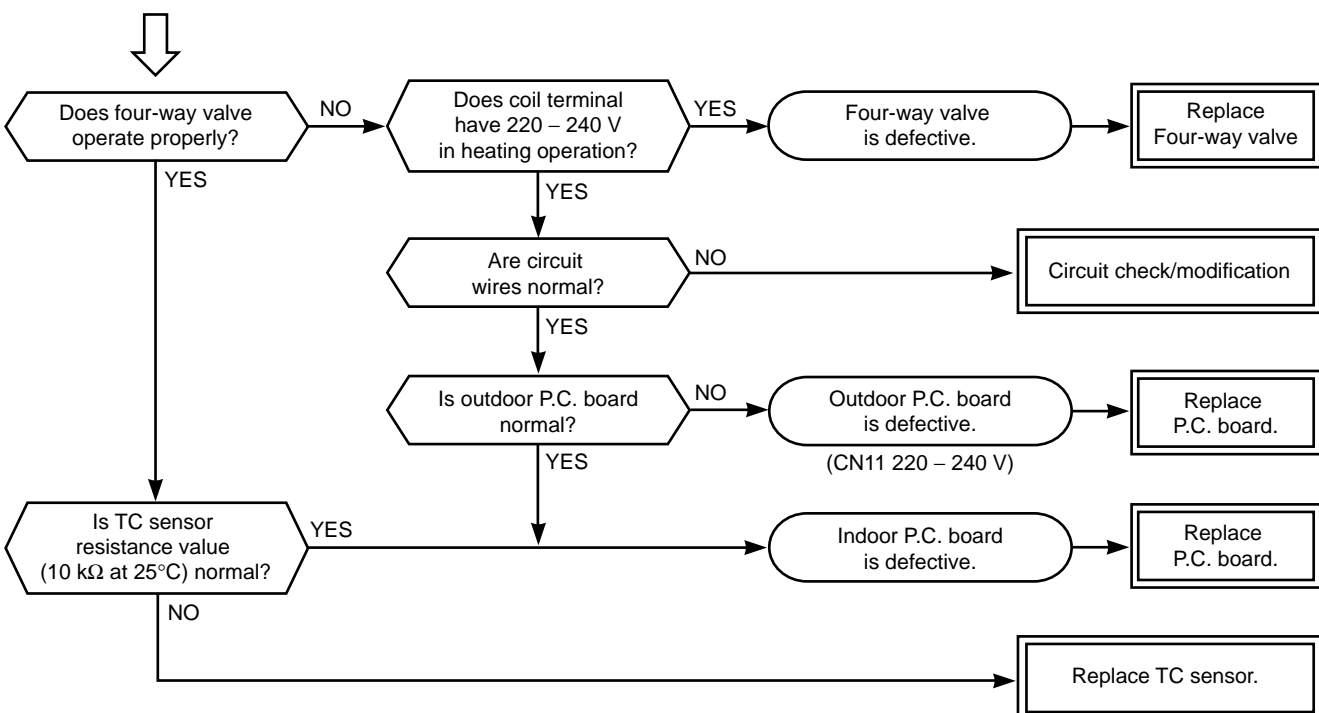
9-5. How To Diagnose Faulty Parts



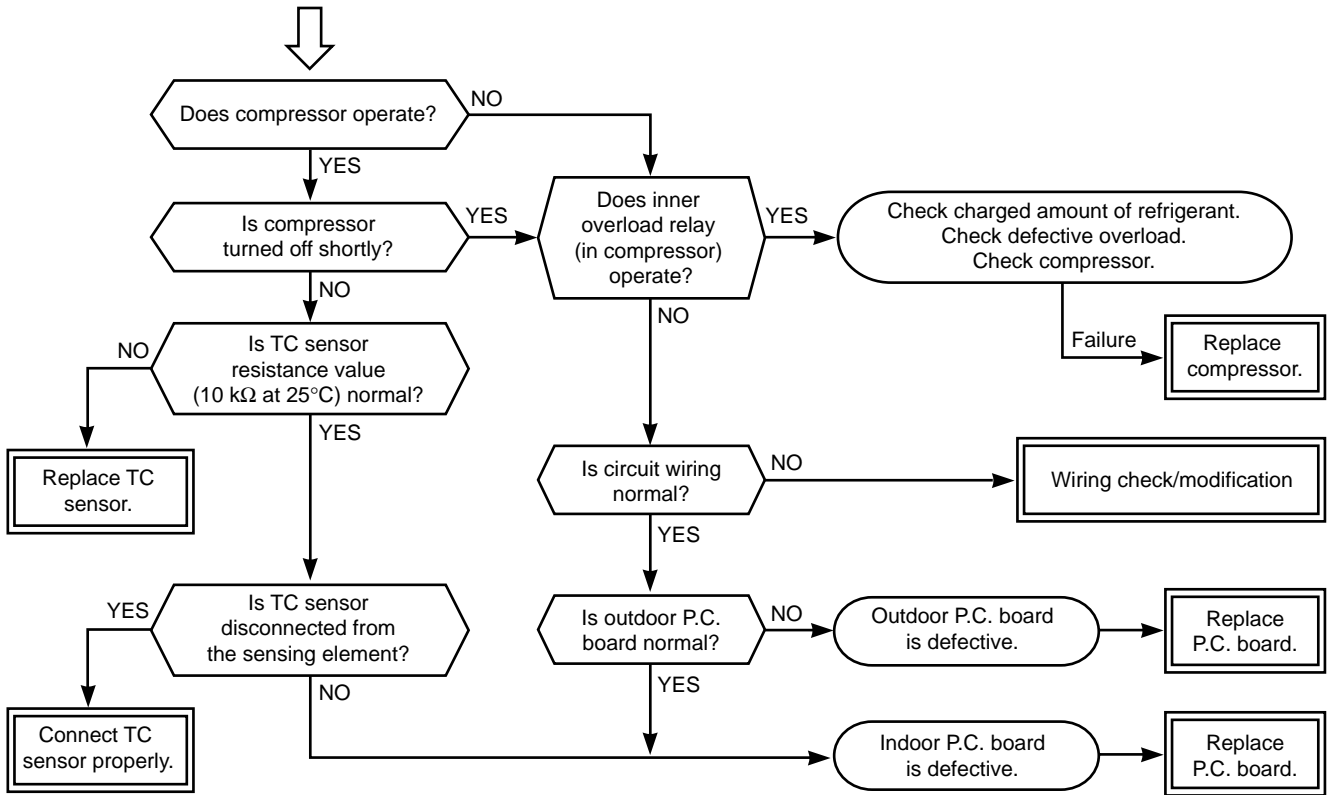
[04 Serial signal error] (Heat pump model)



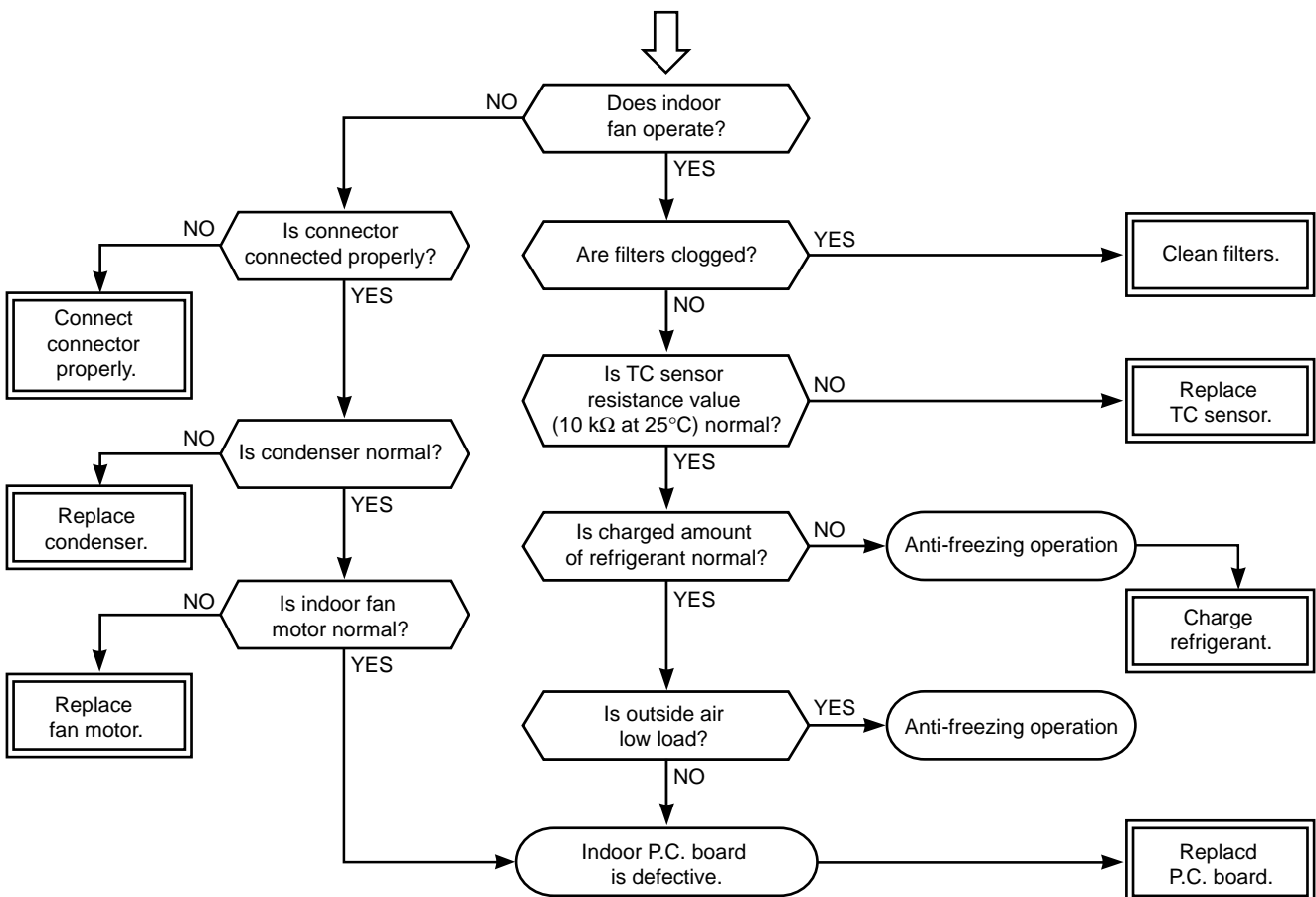
[08 Four-way valve error] (Heat pump model)



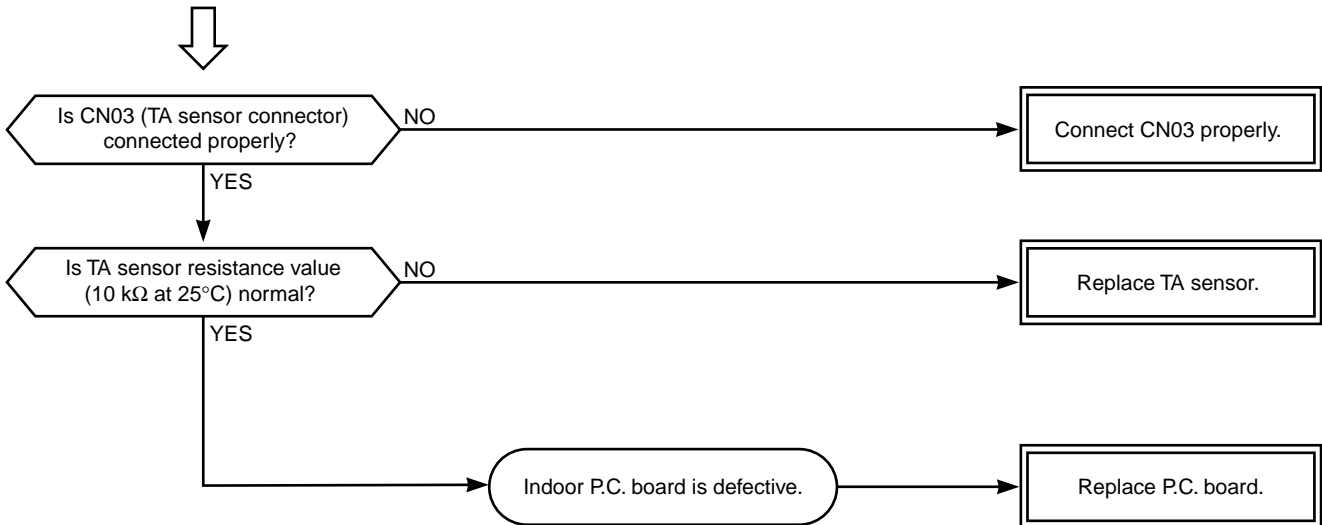
[09 Other cycle error] (1) (Heat pump model)



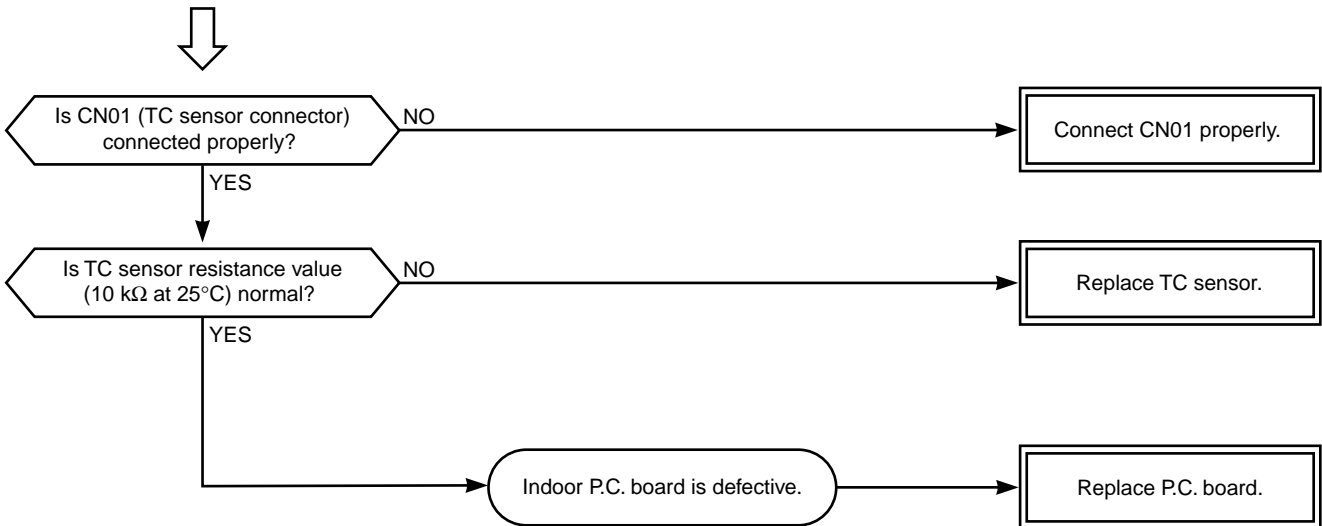
[09 Other cycle error] (2)



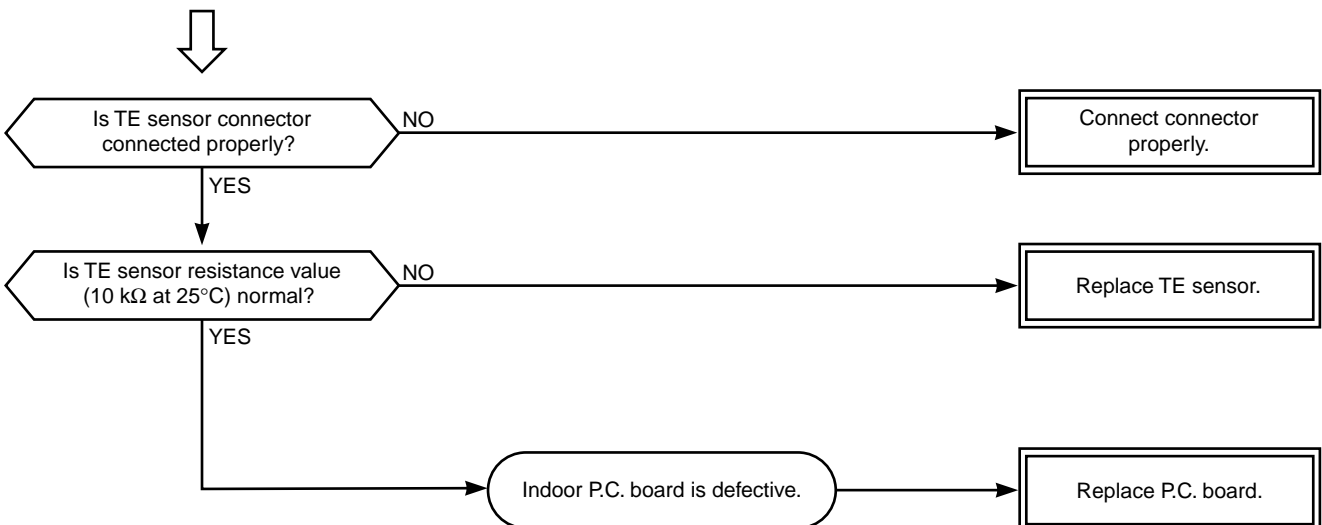
**[0C Indoor TA sensor error]**



**[0d Indoor TC sensor error]**

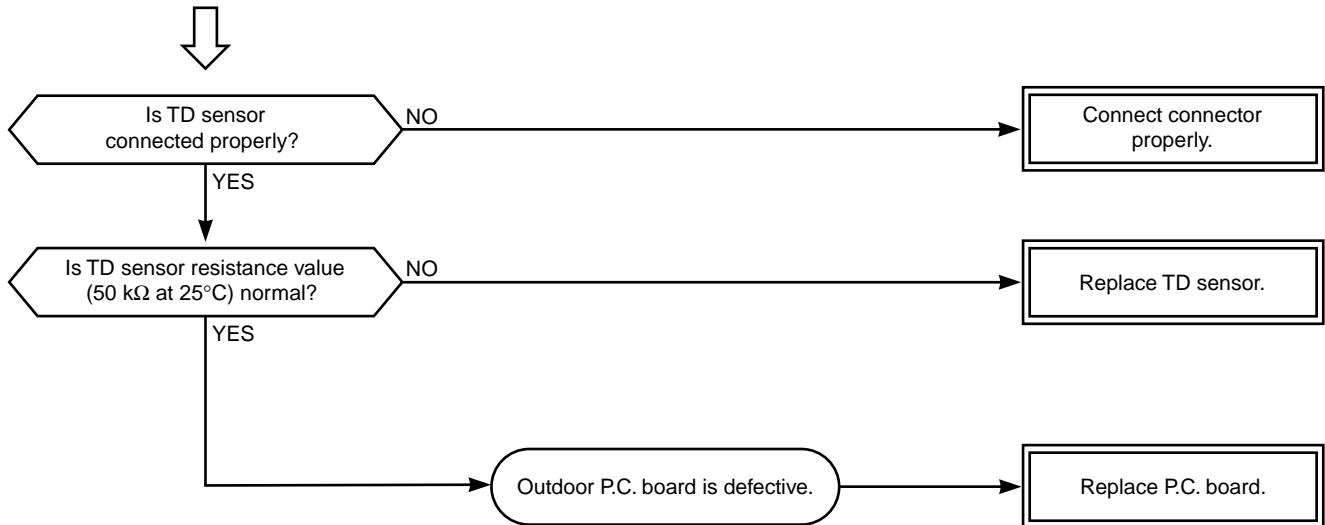


**[18 outdoor TE sensor error] (Heat pump model)**

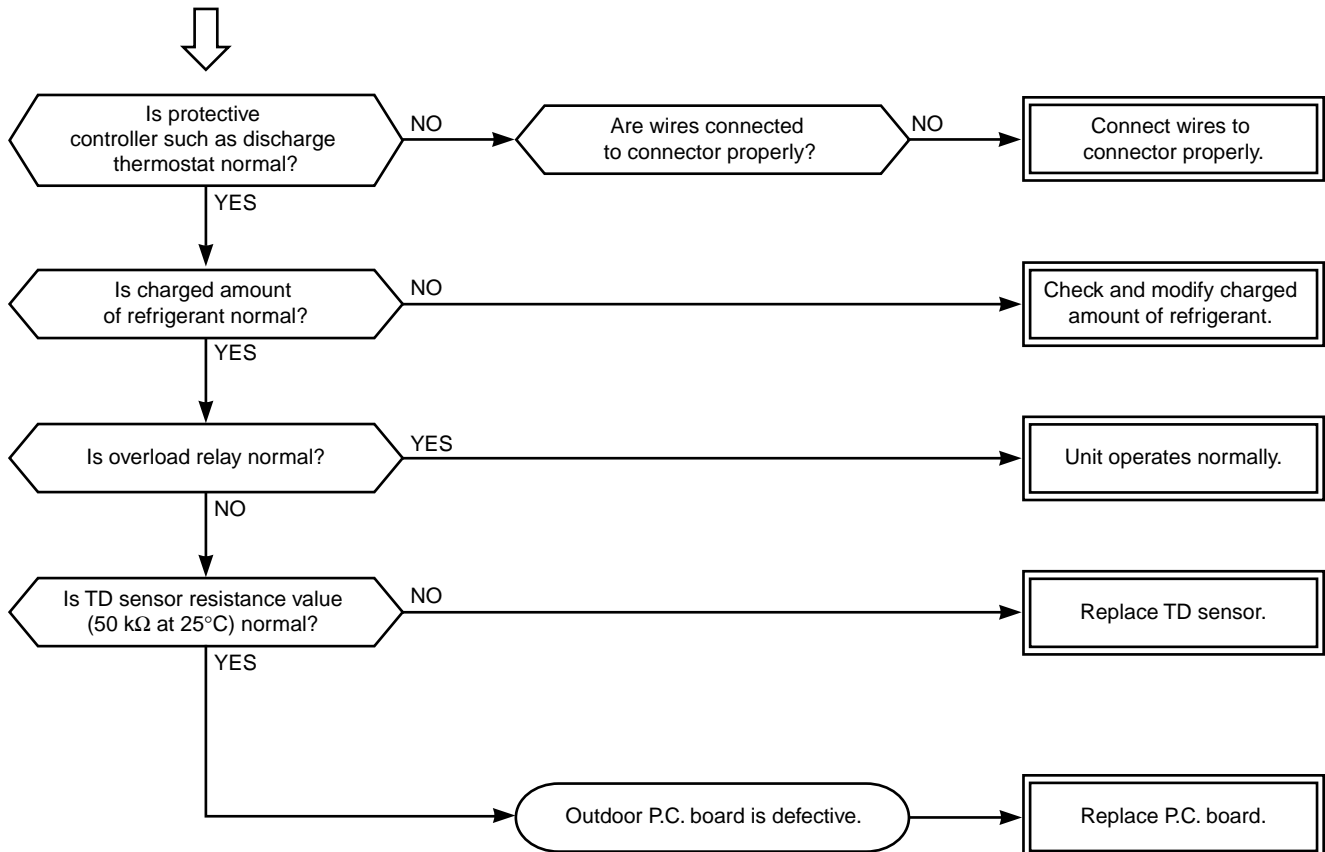




**[19 outdoor TD sensor error] (Heat pump model)**



**[1E Discharge temp. error] (Heat pump model)**

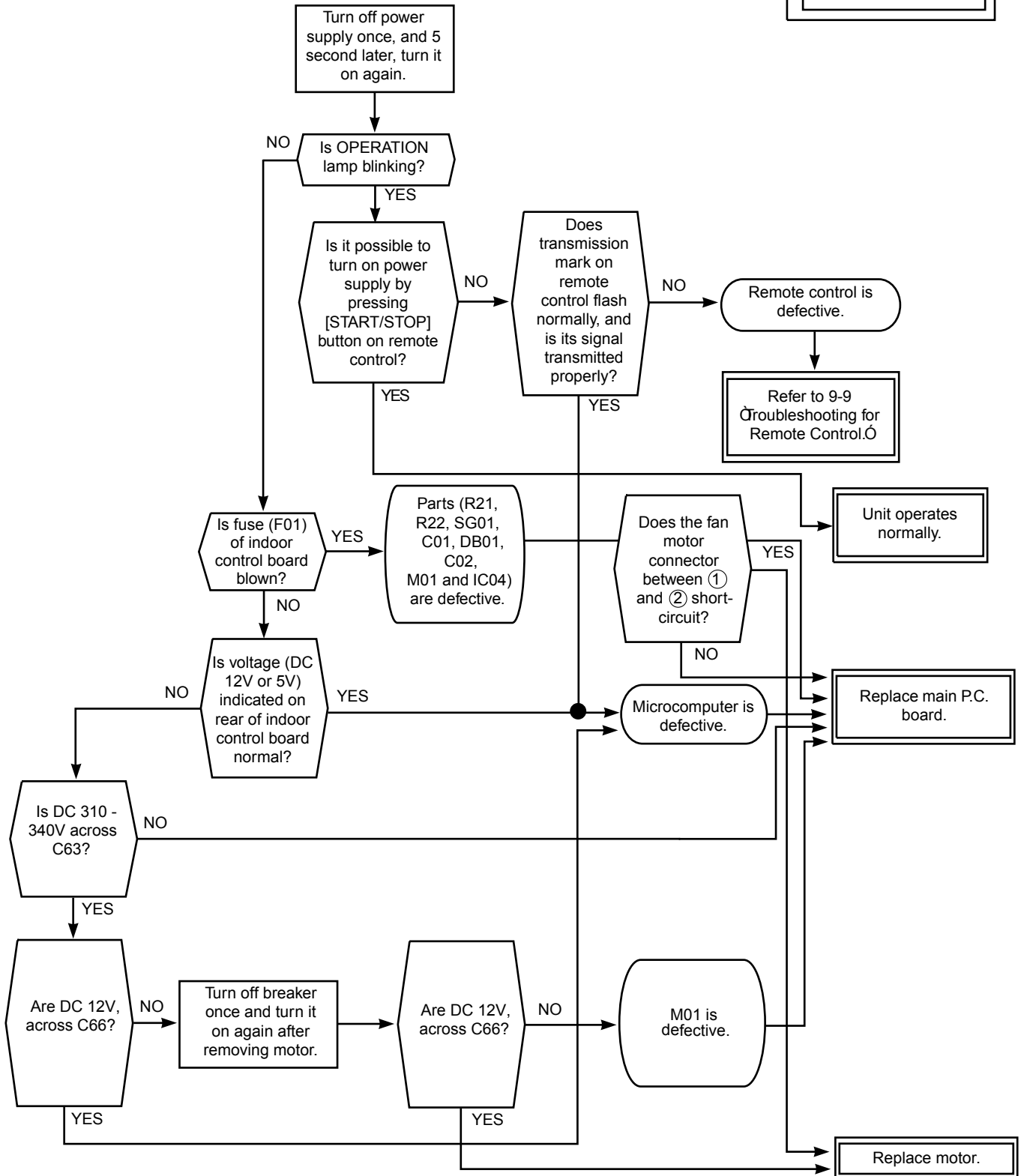
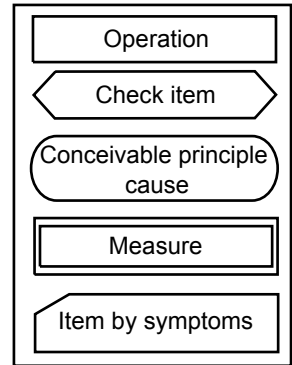


## 9-6. Troubleshooting for Indoor unit

### 9-6-1. Power can not be turned on. (The unit does not operate at all.)

#### <Primar check>

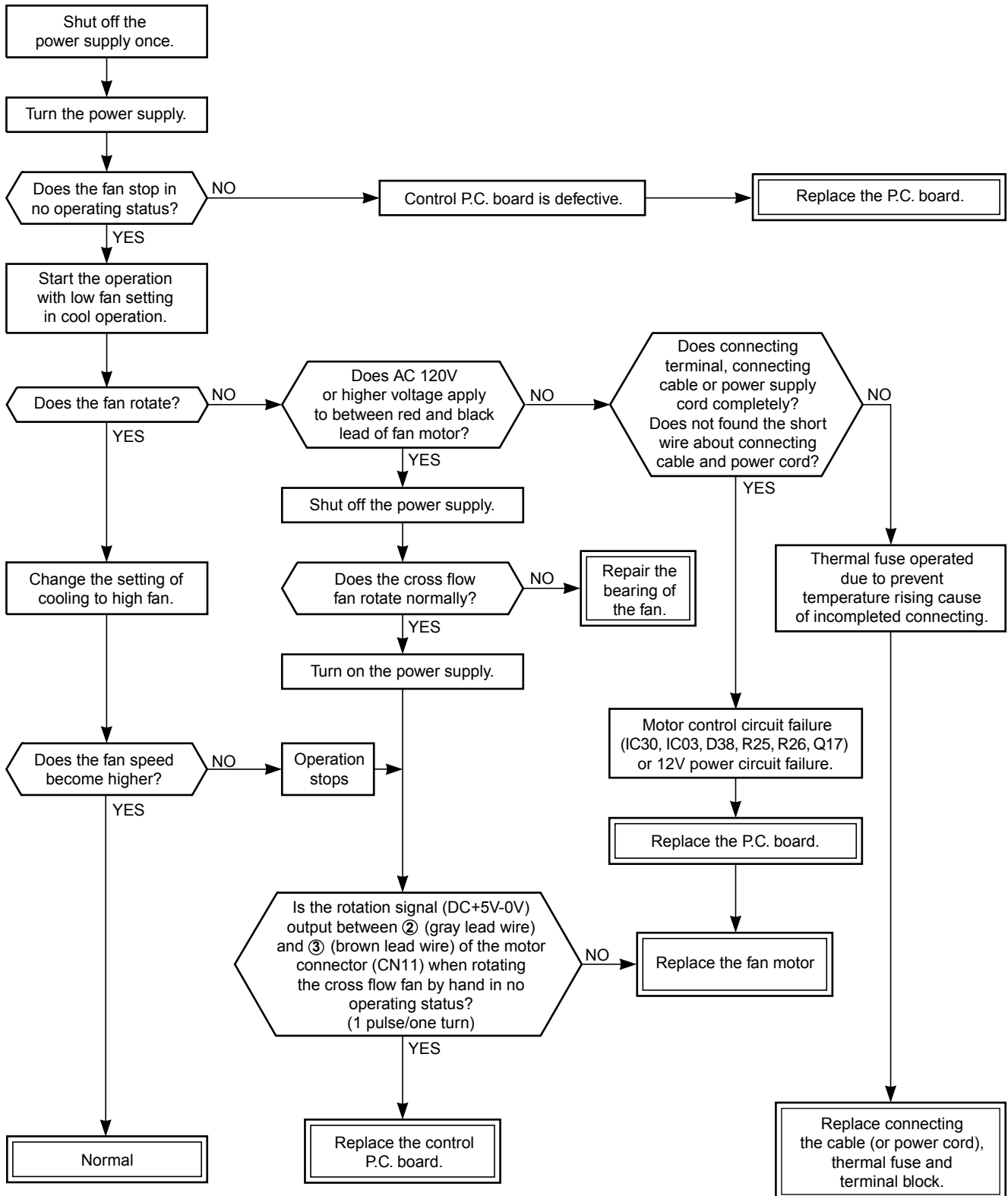
- (1) Is the supply voltage normal?
- (2) Is the connection to the AC output OK?
- (3) Is the fuse (F01) blown?



**9-6-2. Only the indoor fan does not operate**

**<Primary check>**

- (1) Is it possible to detect the power supply voltage (200 –240V) between ① and ② on the terminal block?
- (2) Does the indoor fan motor operate in cooling operation?  
(In heating operation, the indoor fan motor does not operate for approximately 5 minutes after it is turned on, to prevent a cold air from blowing in.)

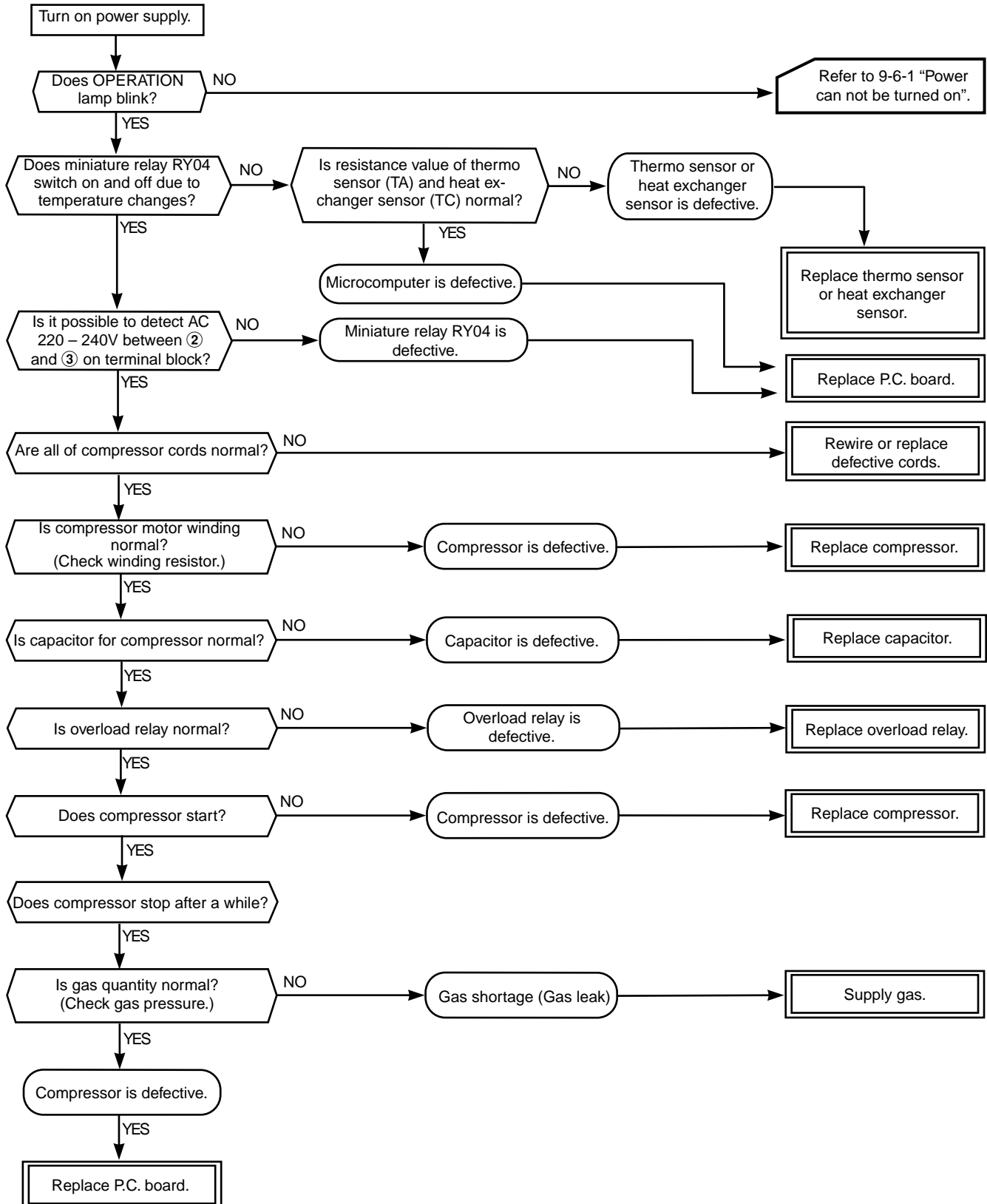


**9-6-3. Compressor does not operate.**

**<Primary check>**

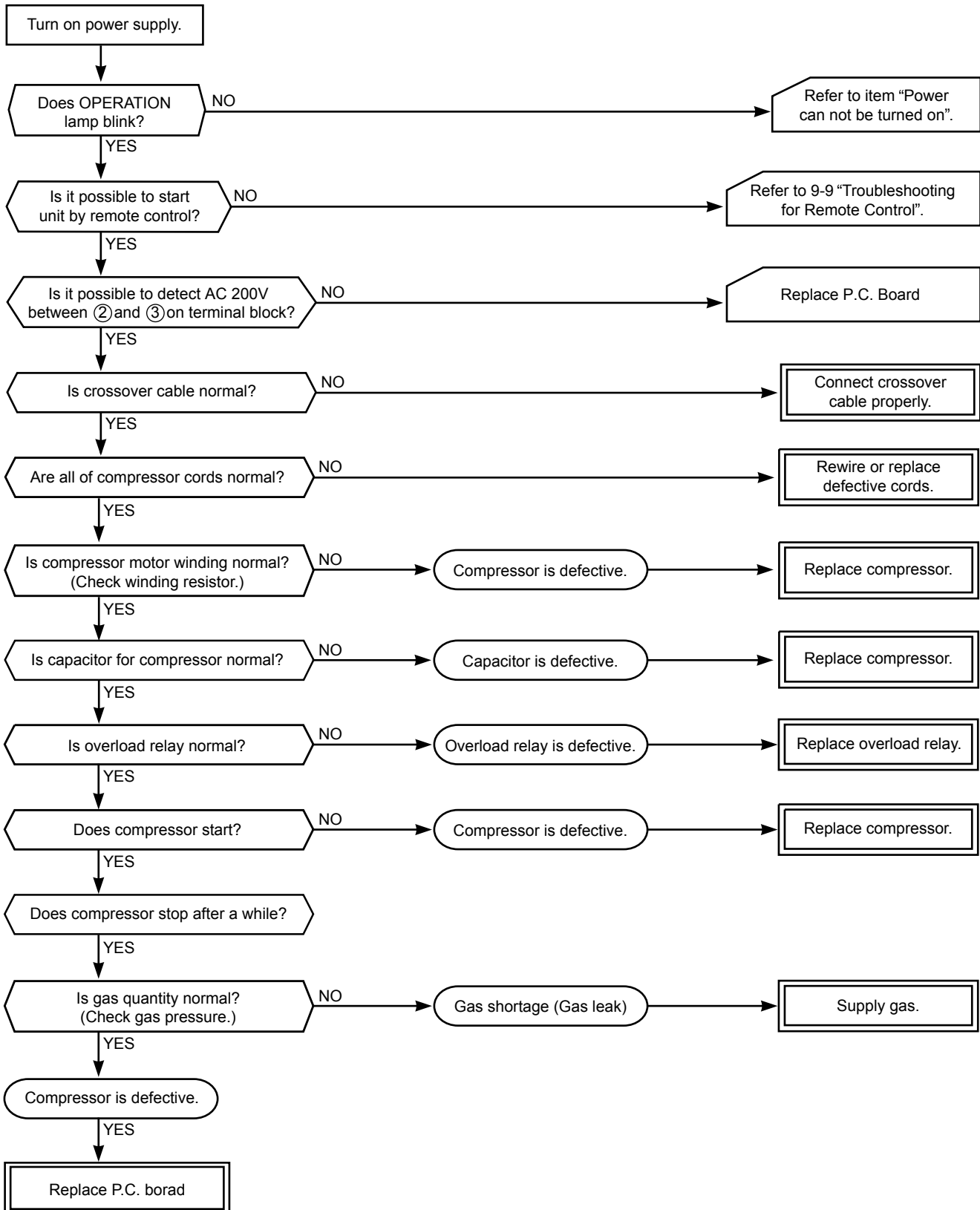
- (1) Is the preset temperature higher than the room temperature in cooling operation?
- (2) Is the crossover cable connected properly?

**<Inspection procedure>**



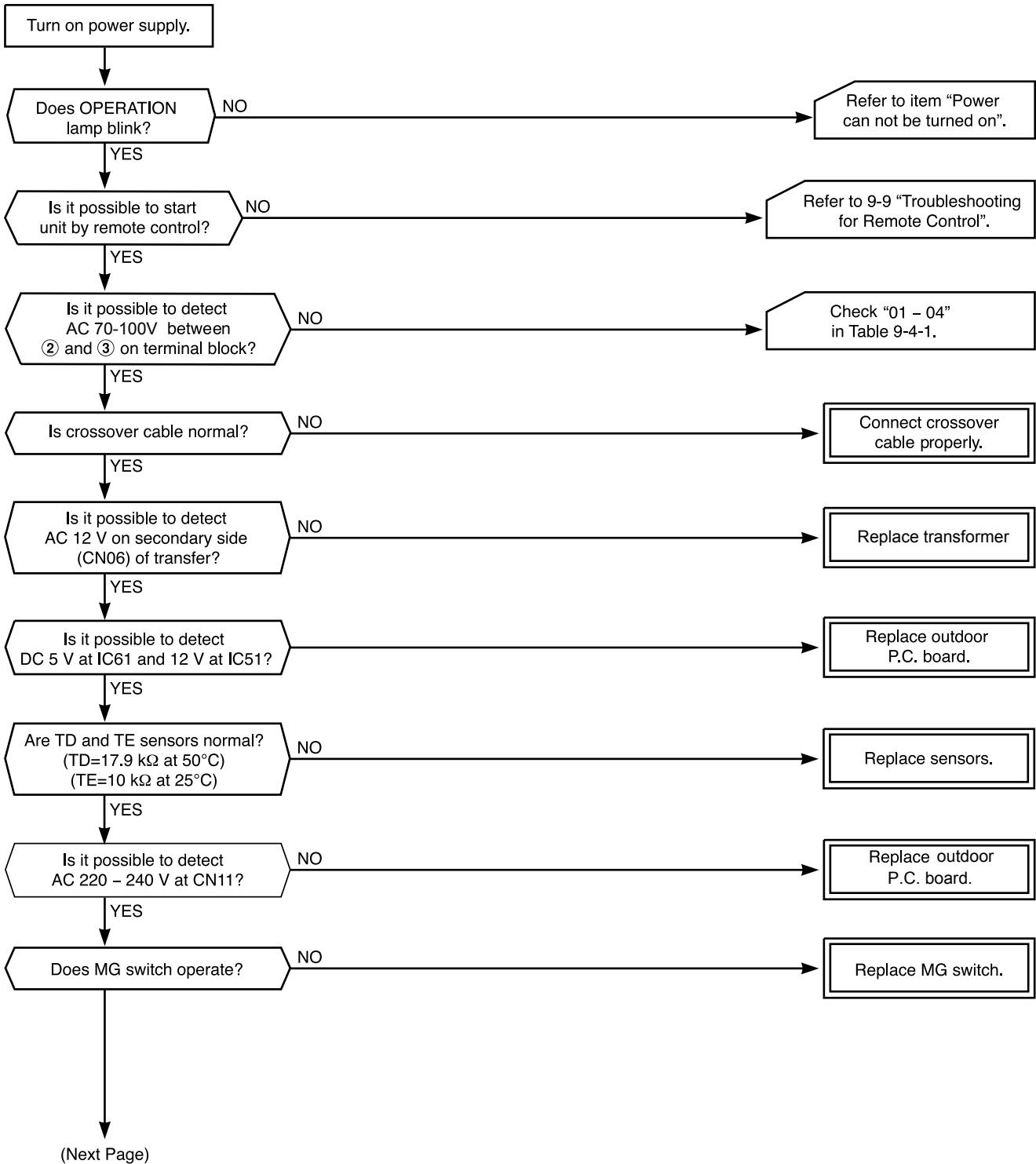
<Inspection procedure>

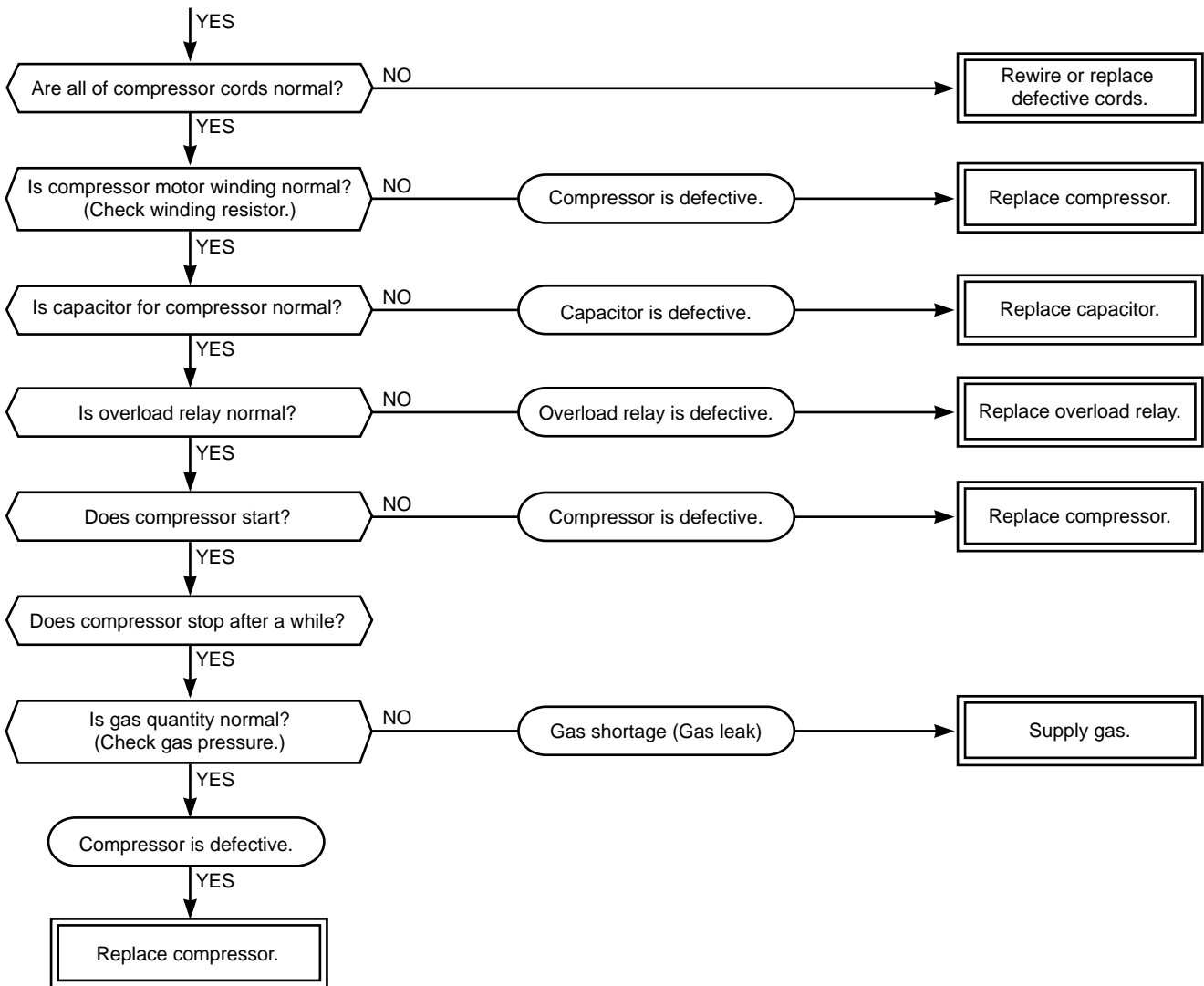
- Cooling model -



<Inspection procedure)

- Heating model -





## 9-7. Troubleshooting for Wiring (Interconnect cable and Serial Signal Wire)

### 9-7-1. Outdoor unit does not operate.

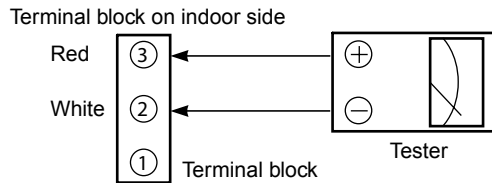
#### <Inspection procedure>

- (1) Is the voltage between ① and ② of the indoor terminal block varied?
- (2) Are signals from the indoor unit to the outdoor unit transmitted correctly based upon the following diagram?

#### NOTE:

- Measure the voltage for 2 minutes and 30 seconds after starting the unit.
- 

#### Heatpump model



Normal condition : Voltage varied between AC70 ~ 100V

Abnormal condition : Voltage does not vary.

#### Cooling model

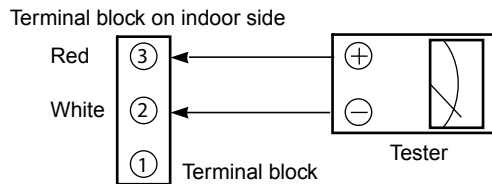


Fig. 9-7-1

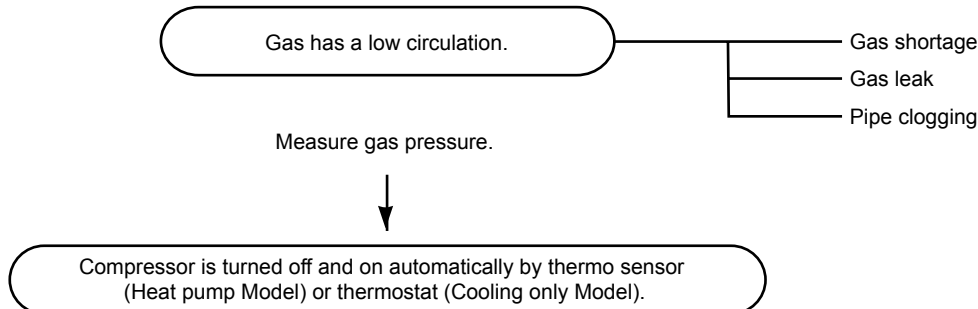
Normal condition : After start operated about 2 minutes and 30 seconds. Voltage between ② and ③ of the indoor's Terminal block should be equal AC 220 ~ 240V

Abnormal condition : Don't found voltage AC 220 ~ 240V from terminal block (0V)

### 9-7-2. Outdoor unit stops a while after starting the unit.

<Confirmation procedure> Select one of 3 cases below and follow the procedure.

- (1) The outdoor unit stops between 10 and 20 minutes passed after starting and it takes 10 minutes or more to restart the unit.



- (2) The outdoor unit stops once, it would not operate until the power is turned on again.

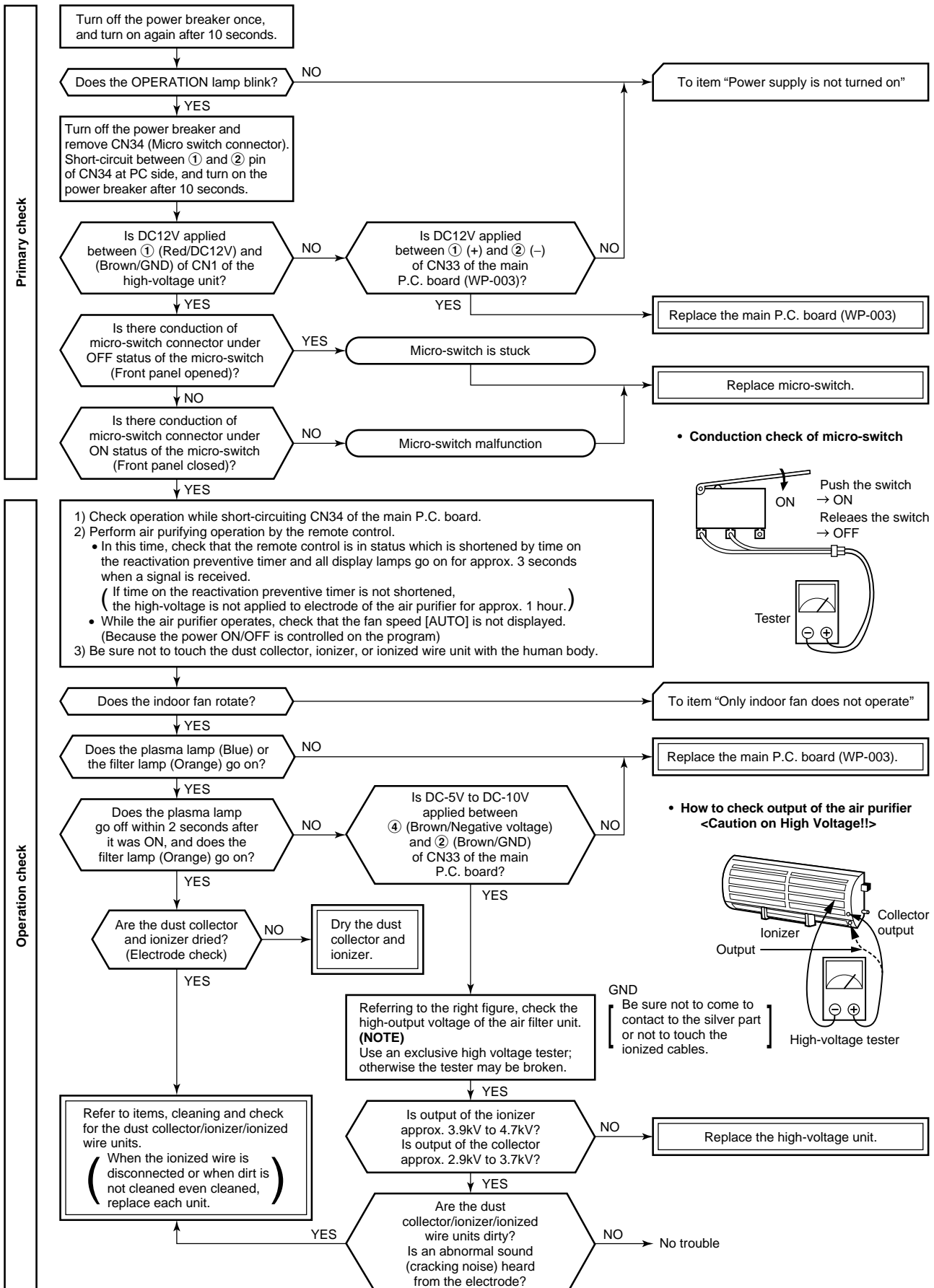


- (3) The outdoor unit stops between 10 minutes to 1 hour after starting and a check code is indicated on the remote control. (Check code 03-1E : Refer to Table 9-4-1.)

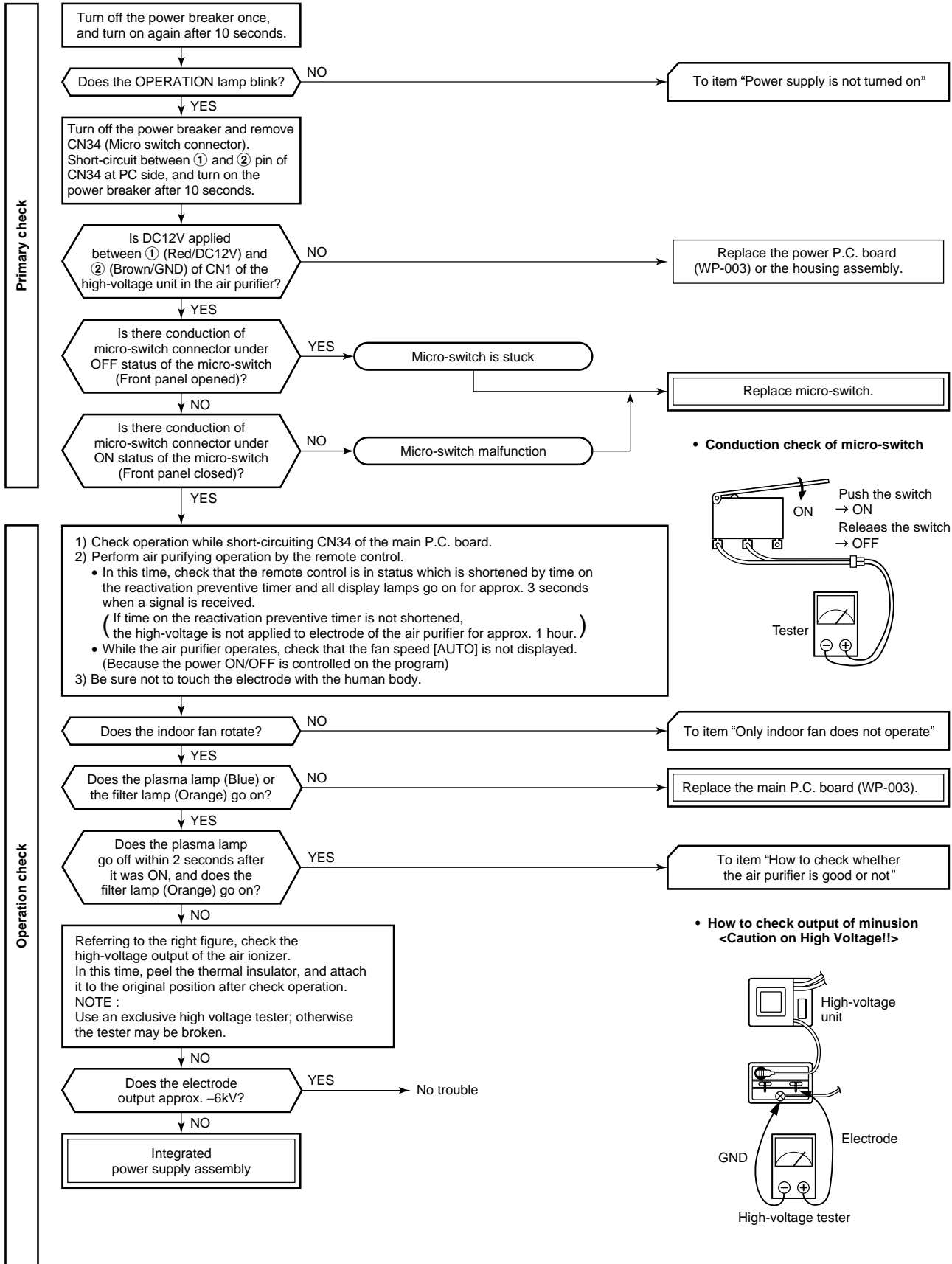


## 9-8. Troubleshooting for Air Purifier and Minus Ion

### 9-8-1. How to Check Whether the Air Purifier is Good or Not



9-8-2. How to Check Whether the Minus Ion Generator is Good or Not



## 9-9. Troubleshooting for P.C. board

### 9-9-1. How to check indoor P.C. board

#### <Cautions for handling P.C. board>

- (1) When removing the front panel and the P.C. board, be sure to turn off the power supply.
- (2) When removing the P.C. board, hold the edge of the P.C. board and do not apply force to the parts.
- (3) When connecting or disconnecting the connectors on the P.C. board, hold the housing. Do not pull at lead wires.

#### <Inspection procedure>

- (1) If the P.C. board is defective, check for disconnection, burn or discoloration of the copper foil pattern of the P.C. board.
- (2) The P.C. board consists of the following 2 parts:
  - a. Main P.C. board parts.**  
Power relay, indoor fan motor drive circuit and control circuit, C.P.U. and peripheral circuits, buzzer drive circuit and buzzer.
  - b. Infrared rays parts:**  
Infrared rays receiving circuit

Check the defects of the P.C. board with Table 9-8-1.

**Table 9-9-1 Inspection procedure**

No.	Procedure	Check points	Causes
1	Turn off the power supply and remove the P.C. board assembly from electric parts base. Remove the connecting cables from the terminal block.	Check whether or not the fuse (F01) is blown.	Impulse voltage was applied or the indoor fan motor short-circuited.
2	Remove the connector of the motor and turn on the power supply. If OPERATION lamp blinks (once per second), it is not necessary to check steps (1 to 3) in the right next column.	Check power supply voltage; 1. Between CN30 and CN31 (220 – 240 V AC) : Except 2. Between + and – of C63 (DC310 – 340 V) 3. Between 12 V and GND 4. Between 5 V and GND	1. The terminal block or the crossover cable is connected wrongly. 2. The capacitor (C01 and C02 ) line filter (L01), resistor (R319), or the diode (DB01) is defective. 3. C65, C66 and M01 are defective. 4. IC04, C05, C06 and C07 are defective.
3	Press [⏻] button once to start the unit. (Do not set the mode to Fan Only or On-Timer operation).	Check power supply voltage; <Heat pump model> 1. Between CN31 and CN23 (DC15 – 60 V) <Cooling only model> 1. Between connector of Q24 and GND (for relay coil (DC12 V)) 2. Between ① and ② of terminal block for connecting cable	<Heat pump model> IC32 and IC33 are defective.  <Cooling only model> 1. The wire of the relay coil (RY04) comes down or the relay drive (Q24) is defective. 2. CN27 or RY04 is connected wrongly.
4	Shorten the line of the restart delay timer and start unit.	Check whether or not all lamps (OPERATION, TIMER, PRE.-DEF. (or FAN ONLY), FILTER. and Hi Power) are indicated for 3 seconds and they return to normal 3 seconds later.	The lamps are defective or the housing assembly (CN13) is defective.

No.	Procedure	Check points	Causes
5	Press [⏻] button once to start the unit. <ul style="list-style-type: none"> <li>• Shorten the time of the restart delay timer.</li> <li>• Set the operation mode to COOL.</li> <li>• Set the fan speed level to AUTO.</li> <li>• Set the preset temperature much lower than the room temperature. (The unit (compressor) operates continuously in the above condition.)</li> </ul>	1. Check whether or not the compressor operates. 2. Check whether or not the OPERATION lamp blinks.	1. The temperature of the indoor heat exchanger is extremely low. 2. The connection of the heat exchanger sensor is loose. (The connector is disconnected.) (CN01) 3. The heat exchanger sensor and the P.C. board are defective. (Refer to Table 9-8-2.) 4. The main P.C. board is defective.
6	If the above condition (No. 6) still continues, start the unit in the following condition. <ul style="list-style-type: none"> <li>• Set the operation mode to HEAT.</li> <li>• Set the preset temperature much higher than room temperature.</li> </ul>	1. Check whether or not the compressor operates. 2. Check whether or not the OPERATION lamp blinks.	1. The temperature of the indoor heat exchanger is extremely high. 2. The connector of the heat exchanger sensor short-circuited. (CN01) 3. The heat exchanger sensor and the P.C. board are defective. (Refer to Table 9-8-2.) 4. The main P.C. board is defective.
7	Connect the motor connector to the motor and turn on the power supply. Start the unit in the following condition. <ul style="list-style-type: none"> <li>• Set the operation mode to FAN.</li> <li>• Set the fan speed level to HIGH. (The unit (compressor) operates continuously in the above condition.)</li> </ul>	1. Check it is impossible to detect the voltage (DC 12 V) between ① and ③ of the motor terminals. 2. The motor does not operate. (But it is possible to receive the signal from the remote control.) 3. The motor rotates but vibrates strongly.	1. The indoor fan motor is defective. (Protected operation of P.C. board) 2. The connection of the motor connector is loose. 3. The P.C. board is defective.

**Table 9-9-2 Approximate resistance value of thermo sensor**

(kΩ)

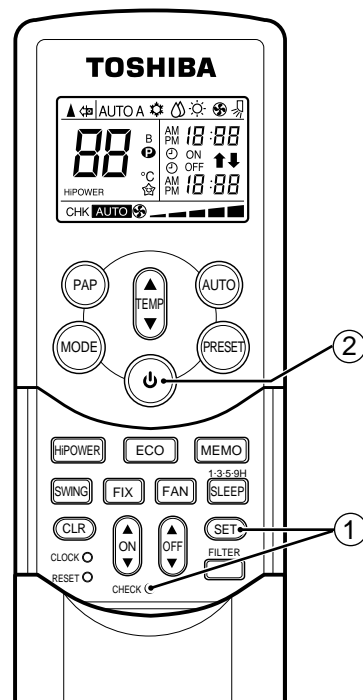
Temperature	0°C	10°C	20°C	25°C	30°C
Resistance value	33.8	20.35	12.59	10.0	7.99

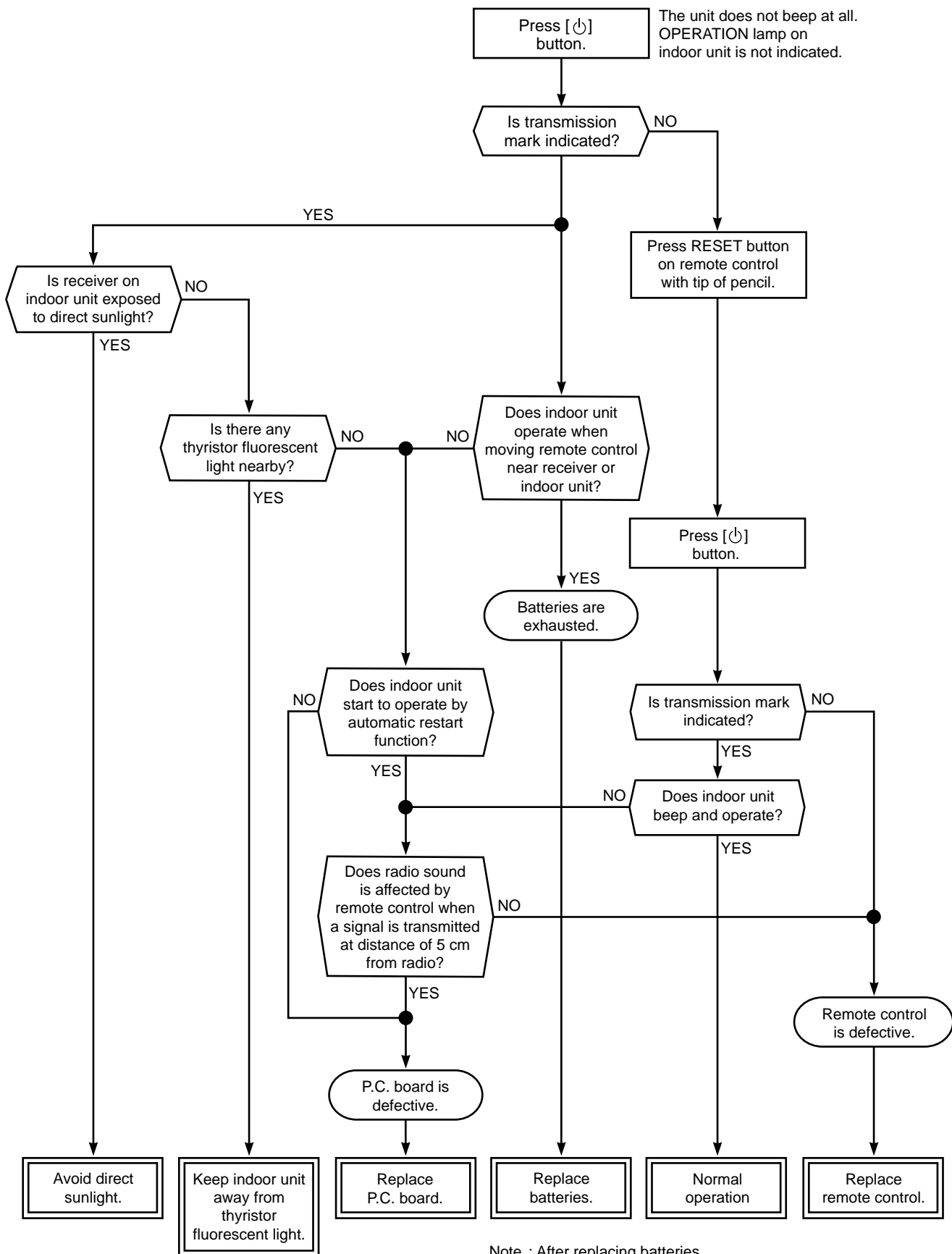
**9-9-2. How to Shorten Time of Restart Delay Timer**

- ① Press [SET] button while pressing [CHECK] button with a tip of a pencil.
- ② Then press [⏻] button to transmit the signal to the indoor unit.

**9-9-3. How to self/cancel self cleaning function**

The self cleaning function is set from a factory. To cancel this function, should keep press the RESET switch on Indoor unit for 20 seconds till can hear the long combination sound and repeat the same procedure when need to set.

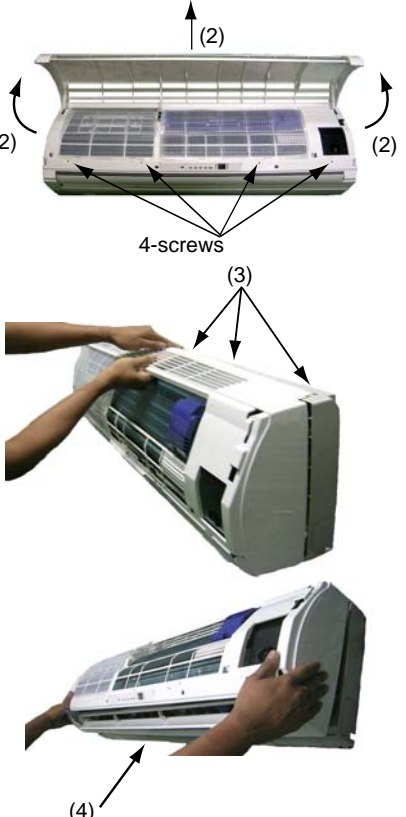
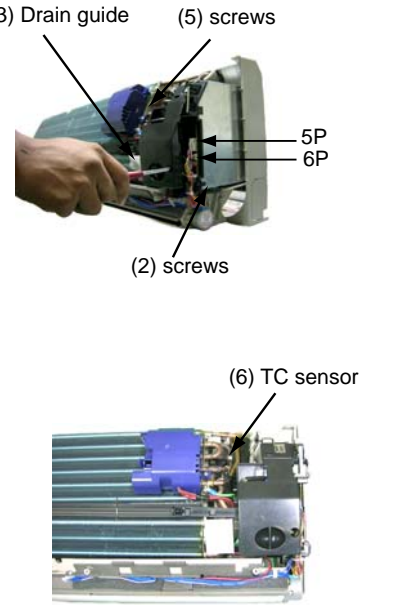


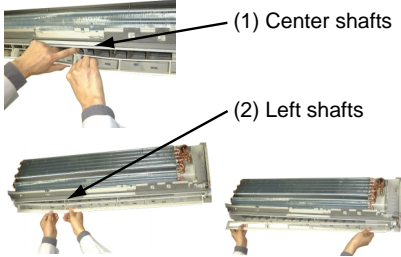
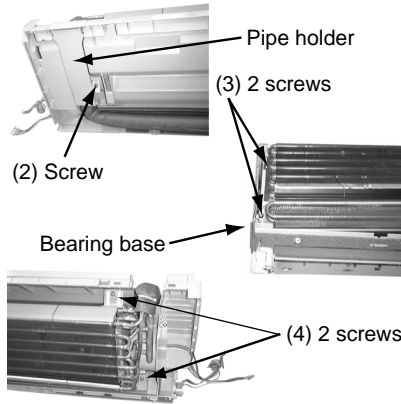
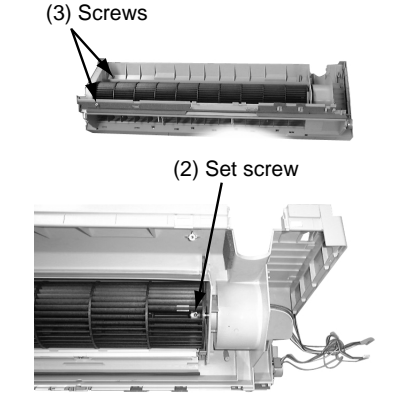
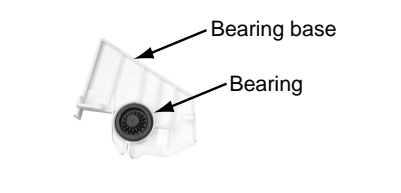
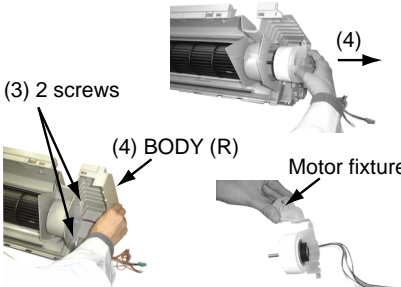


Note : After replacing batteries, press the RESET button with a tip of a pencil.

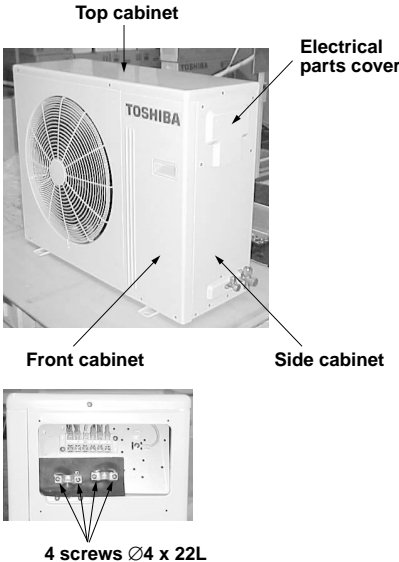
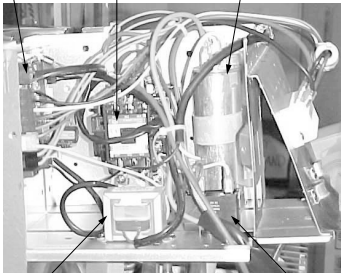
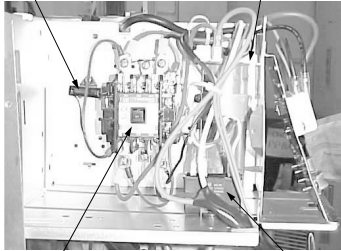
## 10. PART REPLACEMENT

### 10-1. Indoor Unit

No.	Part name	Procedures	Remarks
①	Front panel	<p><b>How to remove the front panel</b></p> <ol style="list-style-type: none"> <li>1) Stop the operation of the air conditioner and turn off its main power supply.</li> <li>2) Pull the inlet grille toward you to open it and remove the inlet grille.</li> <li>3) Take off the right side of air filter.</li> <li>4) Pull out the plasma air purifier and remove 4 screws fixing the front panel before open the horizontal louver and then remove the front panel from back body by pulling it toward you.</li> <li>5) Open the horizontal grille right below by hand.</li> <li>6) Pull the lower side of the front panel toward you until it touches the horizontal grille to remove it.</li> </ol> <p><b>How to mount the front panel</b></p> <ol style="list-style-type: none"> <li>1) Mount the front panel with the inverse procedure of "How to remove the front panel".</li> <li>2) Push 3 places (right, left and center) of the air outlet.</li> <li>3) Check the gap between the front panel and the back body. If you operate the air conditioner in cooling or dry operation without pushing the 3 places, the surface of the front panel may be covered with frost and have dewdrops.</li> </ol>	
②	Electrical part assembly	<ol style="list-style-type: none"> <li>1) Remove the front panel with the procedure ①.</li> <li>2) Remove the screw fixing the electrical part box.</li> <li>3) Remove the drain guide.</li> <li>4) Remove the connector (5P) for the fan motor and the connector (6P) for the louver motor from the microcomputer assembly.</li> <li>5) Remove the screw for the earth, and pull the electrical part base toward you to remove it from the main unit.</li> <li>6) Pull out the TC sensor from the sensor holder.</li> </ol> <p>(3) Drain guide</p>	 <p>(3) Drain guide (5) screws 5P 6P (2) screws (6) TC sensor</p> <p>When assembling the electrical parts assembly, make the connecting cable U-shaped and put it in the drain pan.</p>

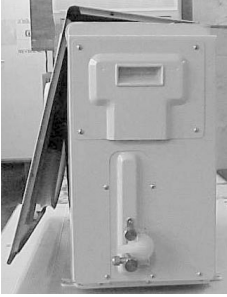
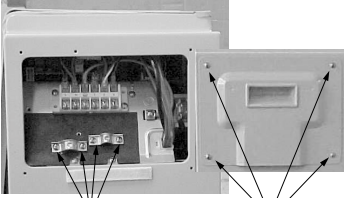
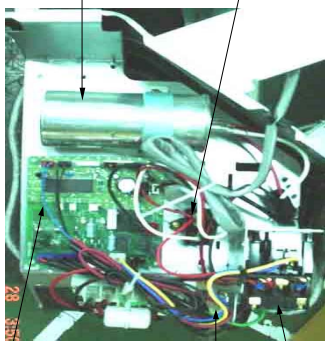
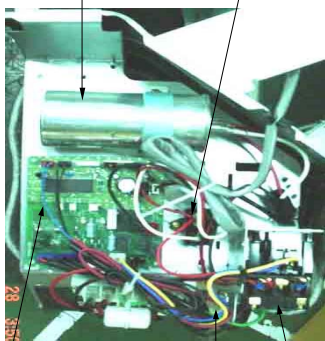
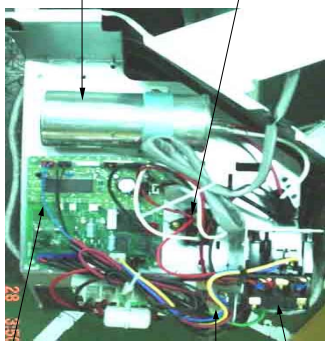
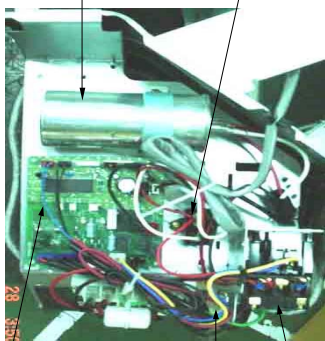
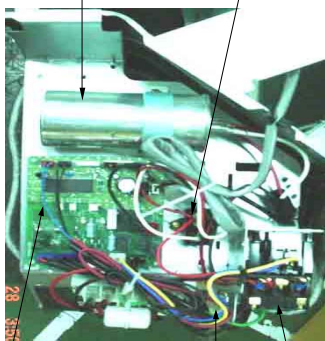
No.	Part name	Procedures	Remarks
③	Horizontal grille	<ol style="list-style-type: none"> <li>1) Remove center 2 shafts of the horizontal grille from the back body.</li> <li>2) Remove left shaft of the horizontal grille from the back body.</li> <li>3) Remove the horizontal grille from the back body.</li> </ol>	 <p>(1) Center shafts (2) Left shafts</p>
④	Heat exchanger	<ol style="list-style-type: none"> <li>1) Remove the front panel, electrical parts assembly and the horizontal grille with procedure ② and ③.</li> <li>2) Remove the screw on the rear side of the main unit to remove the pipe holder.</li> <li>3) Remove 2 screws fixing the heat exchanger and the bearing base.</li> <li>4) Remove 2 screws fixing the heat exchanger fixtures (upper and lower) and the back body then pull out the upper side of the heat exchanger slowly.</li> </ol>	 <p>Pipe holder (3) 2 screws (2) Screw Bearing base (4) 2 screws</p>
⑤	Cross flow fan	<ol style="list-style-type: none"> <li>1) Remove the front panel, electrical parts assembly, horizontal grille and the heat exchanger with procedure ④.</li> <li>2) Loosen the set screw of the cross flow fan.</li> <li>3) Remove 2 screws fixing the bearing base and the back body.</li> <li>4) Pull the cross flow fan toward you.</li> </ol>	 <p>(3) Screws (2) Set screw</p> <p>When assembling the cross flow fan, fix it with the set screw at the position where the gap between the back body and the right surface of the cross flow fan is 8 mm.</p>
⑥	Bearing base	<ol style="list-style-type: none"> <li>1) Remove the front panel, electrical parts assembly, horizontal grille, heat exchanger and the cross flow fan with procedure ⑤.</li> <li>2) Remove the bearing from the bearing base. If the housing protrudes from the base bearing, put the housing in position and assemble the bearing to the bearing base.</li> </ol>	 <p>Bearing base Bearing</p>
⑦	Fan motor	<ol style="list-style-type: none"> <li>1) Remove the front panel, electrical parts assembly, horizontal grille, and the heat exchanger with procedure ④.</li> <li>2) Loosen the set screw of the cross flow fan.</li> <li>3) Remove 2 screws of the motor fixture.</li> <li>4) Remove the lower side of the body (R) and move it right to remove it.</li> <li>5) Remove the motor from the motor fixture.</li> </ol>	 <p>(3) 2 screws (4) BODY (R) Motor fixture</p>

**10-2. Outdoor Unit (RAS-24UAH-E4, RAS-24UA-E4, RAS-24UAX4, RAS-24UA-AR4, RAS-24UAX3-T1, RAS-18UAX4-T2)**

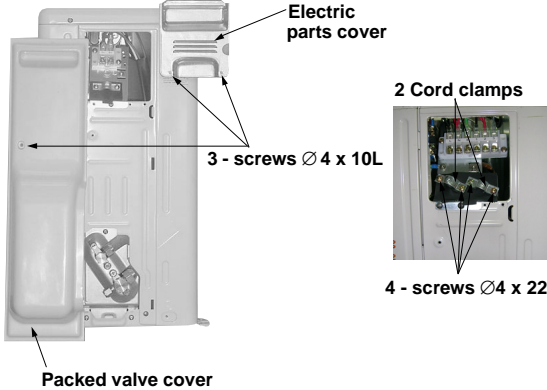
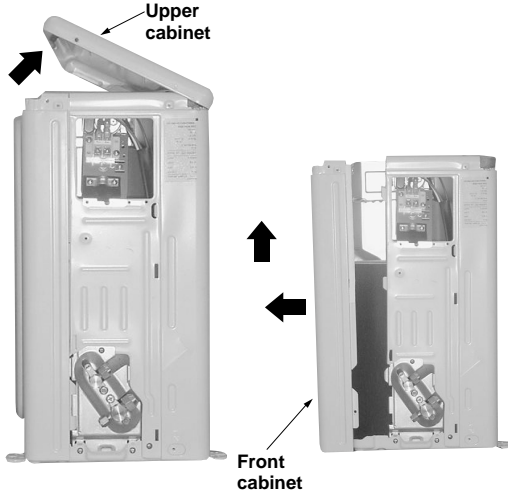
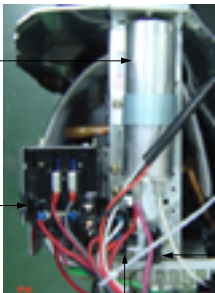
No.	Part name	Procedures	Remarks
①	Common procedure	1) Stop the operation of the air conditioner and turn off its main power supply or remove the power supply cord. 2) Remove the electrical parts cover. (4 screws Ø4 x 10L) 3) Remove 2 cord clamps (4 screws Ø4 x 22L) and disconnect the power supply cord and connecting cable after removing 6 screws on the terminal block and 1 ground screw on the electrical parts base. 4) Remove the top cabinet. (7 screws Ø4 x 10L) 5) Remove the front cabinet. (2 screws Ø4 x 10L) 6) Remove the side cabinet (4 screws Ø4 x 10L & 2 screws Ø4 x 14L)	 <p>Top cabinet</p> <p>Electrical parts cover</p> <p>Front cabinet</p> <p>Side cabinet</p> <p>4 screws Ø4 x 22L</p>
②	Running capacitor for compressor	1) Perform the common procedure ① 2) Remove the capacitor band. (1 screw Ø4 x 10L) 3) Disconnect the lead wires from the capacitor terminal.	 <p>Magnetic contactor</p> <p>P.C. Board</p> <p>Running capacitor for compressor</p> <p>Transformer</p> <p>Running capacitor for fan motor</p> <p>Heat pump model</p>
③	Running capacitor for fan motor	1) Perform the common procedure ① 2) Remove the fixing screw. (1 screw Ø4 x 10L) 3) Disconnect the lead wires from the capacitor terminal.	
④	Magnetic contactor	1) Perform the common procedure ① 2) Remove the fixing screw. (2 screws Ø4 x 10L) 3) Disconnect the lead wires from the terminal.	
⑤	Transformer (Heat pump model)	1) Perform the common procedure ① 2) Remove the fixing screw. (2 screws Ø4 x 10L) 3) Disconnect the housing from the P.C. Board.	 <p>Spark killer</p> <p>Running capacitor for compressor</p> <p>Magnetic contactor</p> <p>Running capacitor for fan motor</p> <p>Cooling only model</p>
⑥	P.C. Board (Heat pump model)	1) Perform the common procedure ① 2) Disconnect the lead wires from the P.C. Board. 3) Remove P.C. Board after unhooking 4 clams.	
⑦	Spark killer (Cooling only model)	1) Perform the common procedure ① 2) Remove the fixing screw. (1 screw Ø4 x 10L) 3) Disconnect the lead wires from the terminal.	



10-3 Outdoor Unit (RAS-18UAH-E4)

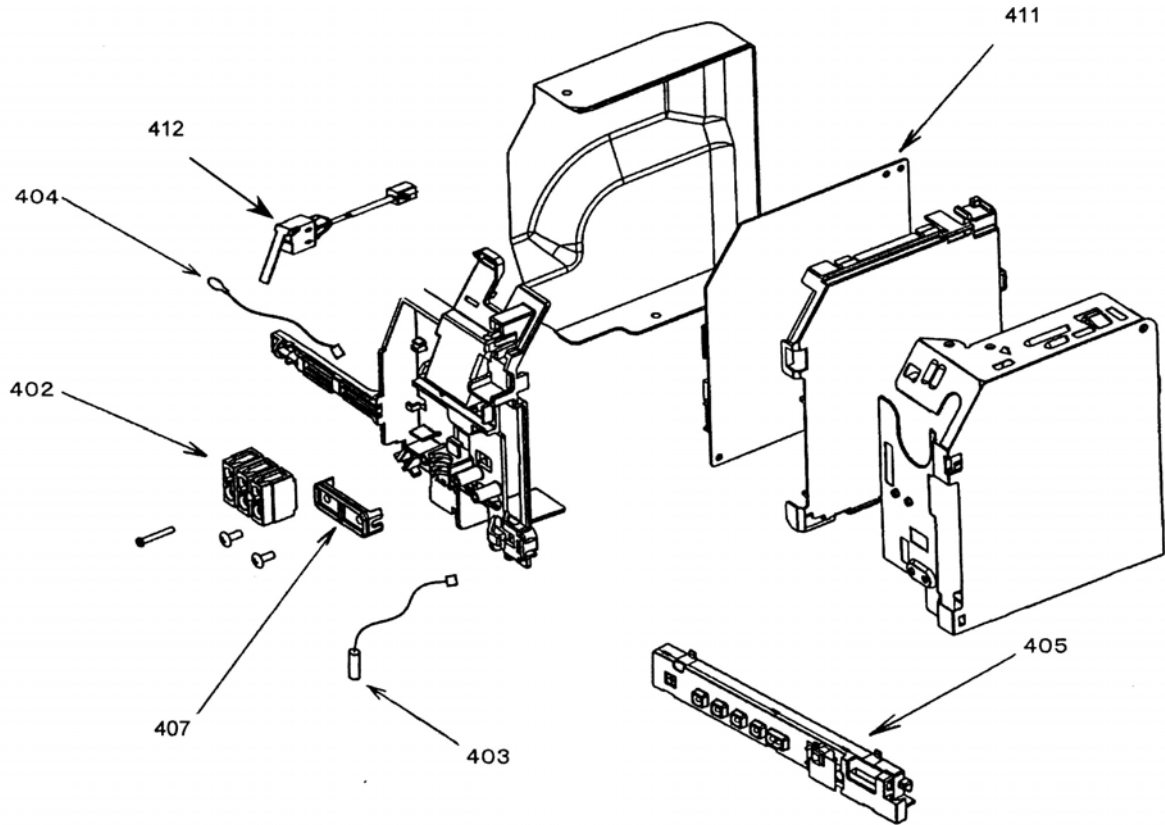
No.	Part name	Procedures	Remarks
①	Common procedure	<ol style="list-style-type: none"> <li>1) Stop the operation of the air conditioner and turn off its main power supply or remove the power supply cord.</li> <li>2) Remove the electrical parts cover. (4 screws <math>\varnothing 4 \times 10L</math>)</li> <li>3) Remove 2 cord clamps (4 screws <math>\varnothing 4 \times 22L</math>) and disconnect the power supply cord and connecting cable after removing 6 screws on the terminal block and 1 ground screw on the electrical parts base.</li> <li>4) Remove the front cabinet. (8 screws <math>\varnothing 4 \times 10L</math>) (Pull the front lower portion toward you, and pull out it upward to remove it.)</li> <li>5) Remove the side cabinet. (8 screws <math>\varnothing 4 \times 10L</math>)</li> </ol>	 
②	Running capacitor for compressor	<ol style="list-style-type: none"> <li>1) Perform the common procedure ①</li> <li>2) Remove the capacitor band. (1 screw <math>\varnothing 4 \times 10L</math>)</li> <li>3) Disconnect the lead wires from the capacitor terminal.</li> </ol>	<p>Running capacitor for compressor</p> <p>Running capacitor for fan motor</p> 
③	Running capacitor	<ol style="list-style-type: none"> <li>1) Perform the common procedure ①</li> <li>2) Remove the fixing screw. (1 screw <math>\varnothing 4 \times 10L</math>)</li> <li>3) Disconnect the lead wires from the capacitor terminal.</li> </ol>	
④	Magnetic contactor	<ol style="list-style-type: none"> <li>1) Perform the common procedure ①</li> <li>2) Remove the fixing screw (2 screw <math>\varnothing 4 \times 16L</math>)</li> <li>3) Disconnect the lead wires from the terminal.</li> </ol>	
⑤	Transformer	<ol style="list-style-type: none"> <li>1) Perform the common procedure ①</li> <li>2) Remove the fixing screw. (2 screws <math>\varnothing 4 \times 10L</math>)</li> <li>3) Disconnect the housing from the P.C. Board.</li> </ol>	
⑥	P.C. Board	<ol style="list-style-type: none"> <li>1) Perform the common procedure ①</li> <li>2) Disconnect the lead wires from the P.C. Board.</li> <li>3) Remove P.C. Board after unhooking 4 clams.</li> </ol>	

**10-4 Outdoor Unit (RAS-18UA-E4, RAS-18UAX4, RAS-18UA-AR4)**

No.	Part name	Procedures	Remarks
①	Common procedure	<ol style="list-style-type: none"> <li>1) Stop the operation of the air conditioner and turn off its main power supply or remove the power supply cord.</li> <li>2) Remove the packed valved cover and the electrical Parts cover (3 screws <math>\varnothing 4 \times 10L</math>)</li> <li>3) Remove 2 cord clamps (4 screws <math>\varnothing 4 \times 22L</math>) and disconnect the power supply cord and connecting cable after removing 6 screws on the terminal block and 1 ground screw on the electrical parts base.</li> <li>4) Remove the upper cabinet. (4 screws <math>\varnothing 4 \times 10L</math>) (Pulling out upward)</li> <li>5) Remove the front cabinet. (3 screws <math>\varnothing 4 \times 10L</math>) (Pull the front right portion toward you, and remove it pulling out upward.)</li> </ol>	 
②	Running capacitor for compressor	<ol style="list-style-type: none"> <li>1) Perform the common procedure ①</li> <li>2) Remove the capacitor band. (1 screw <math>\varnothing 4 \times 10L</math>)</li> <li>3) Disconnect the lead wires from the capacitor terminal.</li> </ol>	
③	Running capacitor for fan motor	<ol style="list-style-type: none"> <li>1) Perform the common procedure ①</li> <li>2) Remove the fixing screw. (1 screw <math>\varnothing 4 \times 10L</math>)</li> <li>3) Disconnect the lead wires from the capacitor terminal.</li> </ol>	
④	Magnetic contactor	<ol style="list-style-type: none"> <li>1) Perform the common procedure ①</li> <li>2) Remove the fixing screw. (2 screws <math>\varnothing 4 \times 10L</math>)</li> <li>3) Disconnect the lead wires from the terminal.</li> </ol>	
⑤	Spark killer	<ol style="list-style-type: none"> <li>1) Perform the common procedure 1</li> <li>2) Remove the fixing screw. (1 screw <math>\varnothing 4 \times 10L</math>)</li> <li>3) Disconnect the lead wires from the terminal.</li> </ol>	

## 11. EXPLODED VIEWS AND PARTS LIST

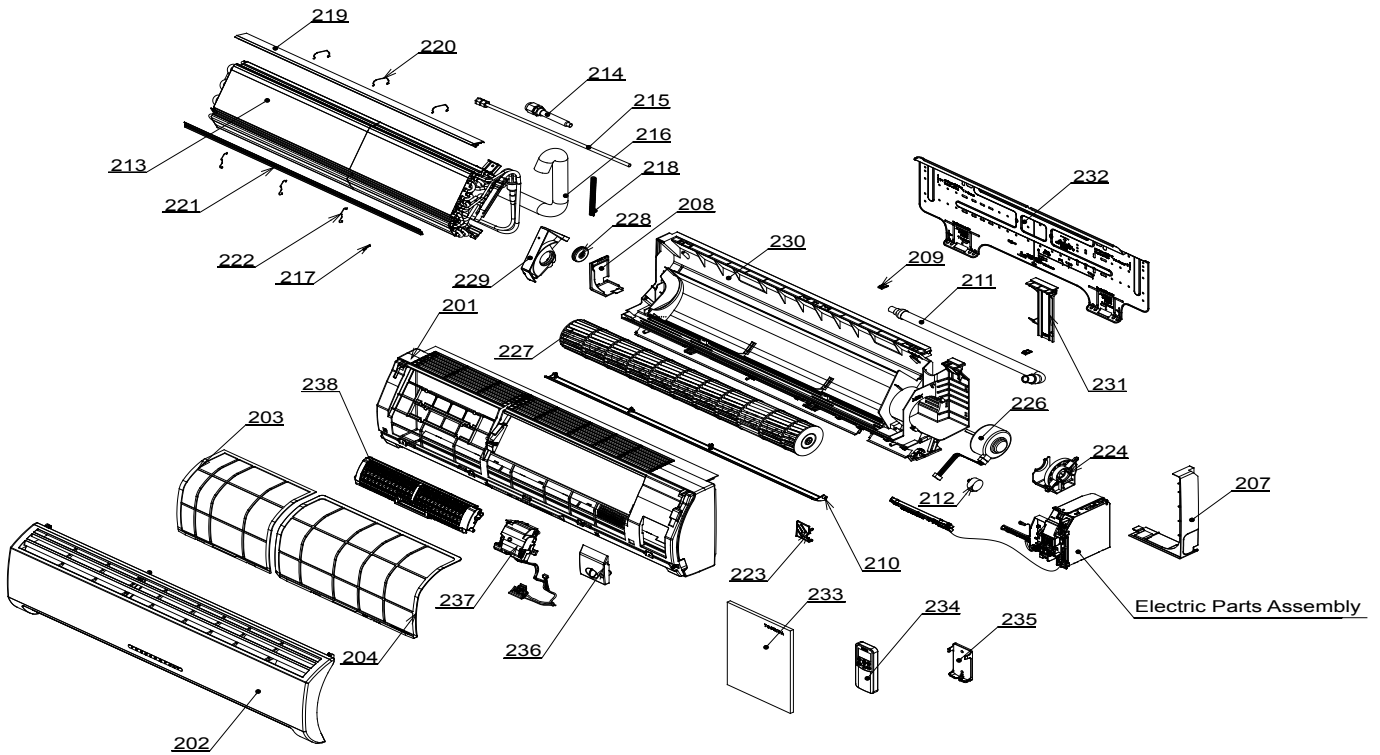
### 11-1. Indoor Unit (E-Parts Assy)



Location No.	Part No.	Description
402	43T60002	TERMINAL BLOCK; 3P
403	43T50004	SENSOR; HEAT EXCHANGER
404	43T69005	SENSOR; THERMOSTAT
405	43T69482	PC BOARD ASSY; WRS-LED MCC-819
406	43T62003	CORD CLAMP
407	43T62003	CLAMP, CORD
407	43T60355	POWER CORD
411	43T69454	PC BOARD (FOR RAS-24NKHD-E4)

Location No.	Part No.	Description
411	43T69455	PC BOARD (FOR RAS-24NKD-E4, RAS-24NKD-AR4, RAS-24NKDX4, RAS-24NKDX4-T)
411	43T69456	PC BOARD (FOR RAS-18NKHD-E4)
411	43T69457	PC BOARD (FOR RAS-18NKD-E4, RAS-18NKD-AR4, RAS-18NKDX4)
411	43T69458	PC BOARD (FOR RAS-18NKDX4-T2)
412	43T51305	MICRO SWITCH

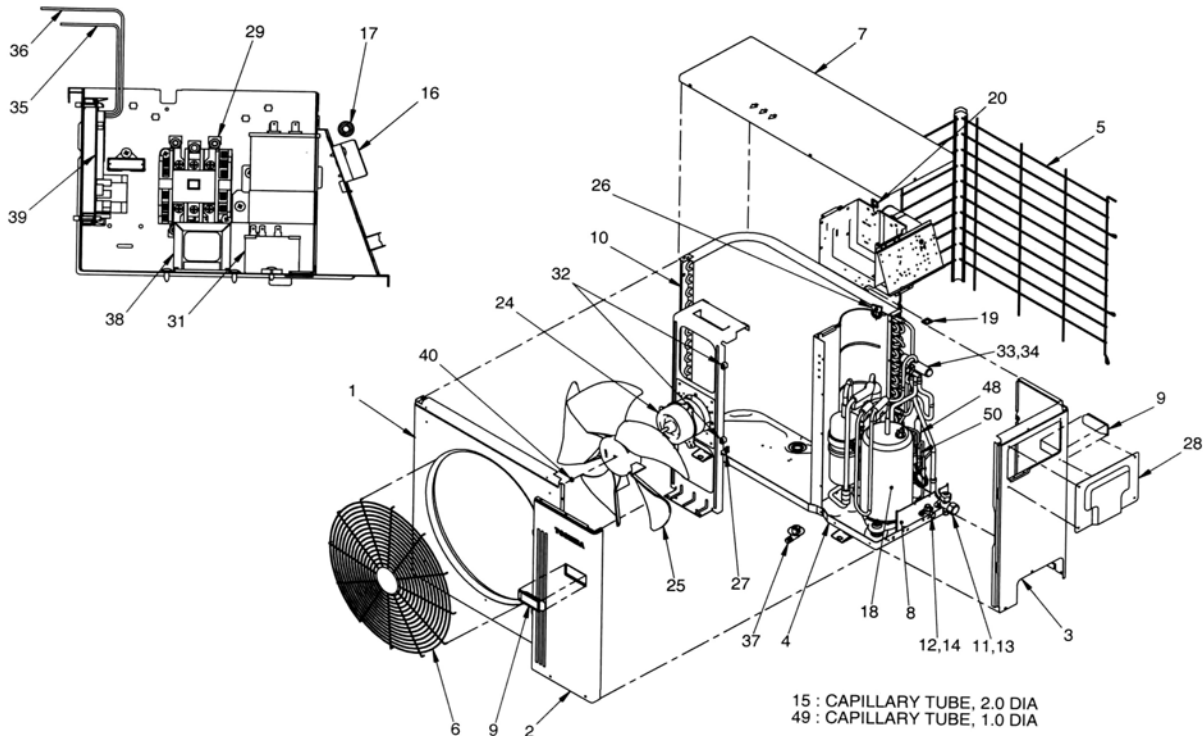
11-2. Indoor Unit



Location No.	Part No.	Description
201	43T00412	Front Panel, ASSY
202	43T09353	Grille ASSY
203	43T80306	Air Filter (L)
204	43T80313	Air Filter (R)
207	43T03010	Body, Right
208	43T03011	Body, Left
209	43T03012	Hide, Claw
210	43T09345	Louver-H
211	43T70301	Hose ASSY, Drain
212	43T21302	Motor, Stepping
213	43T44310	Refrigeration Cycle ASSY (For 24 Series)
213	43T44311	Refrigeration Cycle ASSY (For 18 Series)
214	43T47311	Pipe, Deliver
215	43T47016	Pipe, Suction
216	43T49010	Pipe, Shield
217	43T19003	Holder, Sensor
218	43T49009	Spring
219	43T49036	Plate, EVA-Seal
220	43T49039	Holder, Plate, EVA-Seal
221	43T49038	Plate, EVA-Seal
222	43T49037	Holder, Plate EVA-Seal
223	43T79007	Guide Drain
224	43T39306	Fix Motor
226	43T21346	Motor, Fan
227	43T20309	Fan, Cross Flow
228	43T22002	M-Bearing ASSY
229	43T39015	Base, Bearing
230	43T03317	Back Body ASSY (RAS-24NKD-E4)

Location No.	Part No.	Description
230	43T03318	Back Body ASSY (RAS-24,18NKDX4, RAS-24NKDX4-T, RAS-18NKDX4-T2, RAS-24,18NKHD-E4, RAS-24,18NKD-E4)
231	43T07022	Holder, Pipe
232	43T82007	Plate, Installation
233	43T85486	Owner's Manual (RAS-24,18NKDX4, RAS-24,18NKHD-E4, RAS-24,18NKD-E4, RAS-24,18NKD-AR4)
233	43T85488	Owner's Manual (RAS-24,18NKDX4)
233	43T85487	Owner's Manual (RAS-24,18NKHD-E4, RAS-24,18NKD-E4, RAS-24,18NKD-AR4)
233	43T85489	Owner's Manual (RAS-24NKDX4-T, RAS-18NKDX4-T2)
234	43T69403	Remote Control, Wireless (RAS-24,18NKDX4, RAS-24NKDX4-T, RAS-18NKDX4-T2)
234	43T69402	Remote Control, Wireless (RAS-24,18NKHD-E4)
234	43T69403	Remote Control, Wireless (RAS-24,18NKD-E4, RAS-24,18NKD-AR4)
235	43T83003	Holder, Remote Controller
236	43T62029	Cover, Terminal
237	43T69463	Electrical Supply Assy (RAS-24NKDX4-T, RAS-18NKDX4-T2)
237	43T69464	Electrical Supply Assy (RAS-24,18NKHD-E4, RAS-24,18NKD-E4) RAS-24,18NKD-AR4, RAS-24,18NKDX4)
238	43T69407	Electrical Purifier Assy (RAS-24,18NKDX4) RAS-24,18NKDX4-T2, RAS-24,18NKHD-E4, RAS-24,18NKD-E4, RAS-24,18NKD-AR4,

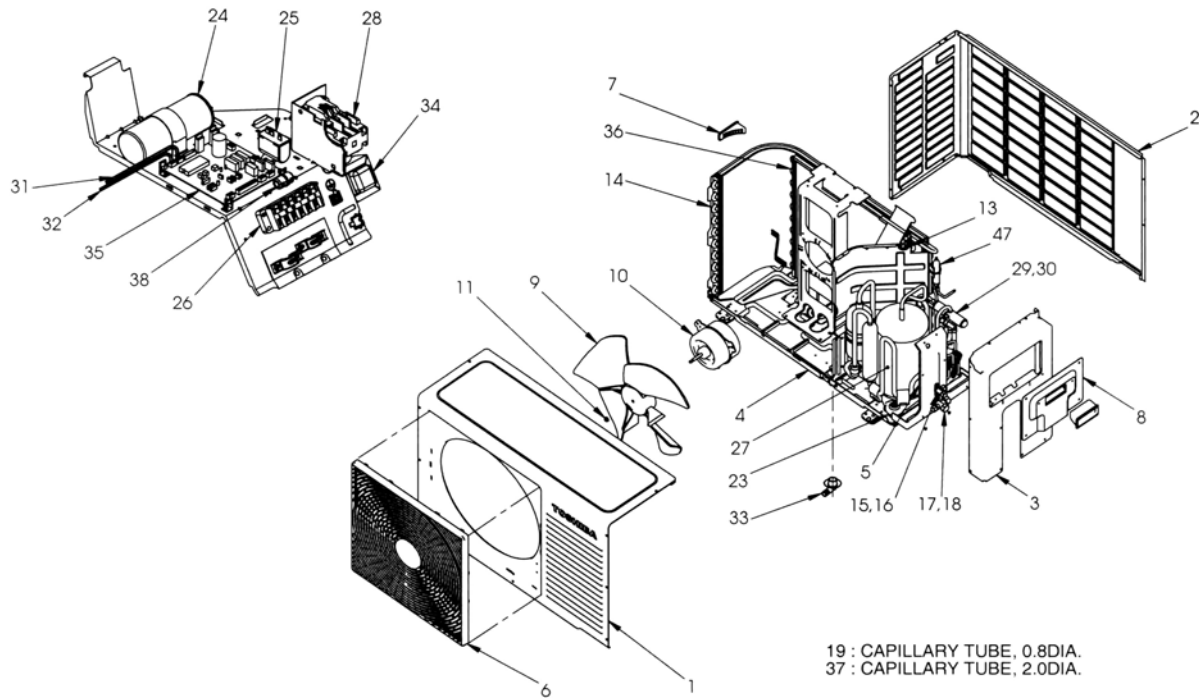
11-3. Outdoor Unit (RAS-24UAH-E4)



Location No.	Part No.	Description
01	43T00024	Panel, Air Outlet
02	43T00025	Panel, Front
03	43T00026	Panel, Side
04	43T42307	Base Assembly
05	43T19320	Guard, Fin
06	43T19319	Guard, Fan
07	43T91001	Plate, Roof
08	43T42005	Plate, Valve, Packed
09	43T15001	Handle
10	43T43357	Condenser Assembly
11	43T46014	Valve, Packed, 15.88 Dia.
12	43T46016	Valve, Packed, 6.35 Dia.
13	43T47334	Bonnet, 15.88 Dia.
14	43T47331	Bonnet, 6.35 Dia.
15	43T47013	Capillary Tube, 2.0 Dia.
16	43T60324	Terminal Block, 6P
17	43T60325	Filter, Clamp
18	43T41343	Compressor, 2JS386D5BB02
19	43T62014	Protector, Cord
20	43T62015	Protector, Cord

Location No.	Part No.	Description
23	43T49309	Rubber-Cushion
24	43T21315	Motor, Fan, AC 220-240V 50 Hz
25	43T20301	Fan, Propeller, 491
26	43T96001	Bushing
27	43T96004	Bushing, Cord
28	43T62013	Cover, E-Parts
29	43T52305	Magnetic Contactor
30	43T55323	MF Capacitor (60 $\mu$ F 440 V)
31	43T55321	MF Capacitor (3.5 $\mu$ F 450 V)
32	43T96003	Clip, Cable
33	43T46319	Valve, 4way
34	43T46330	Coil, V-4way AC 220-240 V 50Hz
35	43T69059	Sensor, TE
36	43T69060	Sensor, TD
37	43T79305	Nipple, Drain
38	43T58301	Transformer, TT-05
39	43T69336	PC Board
40	43T47317	Nut, Flange
48	43045085	Dru-Tank
49	43T47308	Capillary, Tube, 1.0 DIA
50	43T46005	Check-Valve

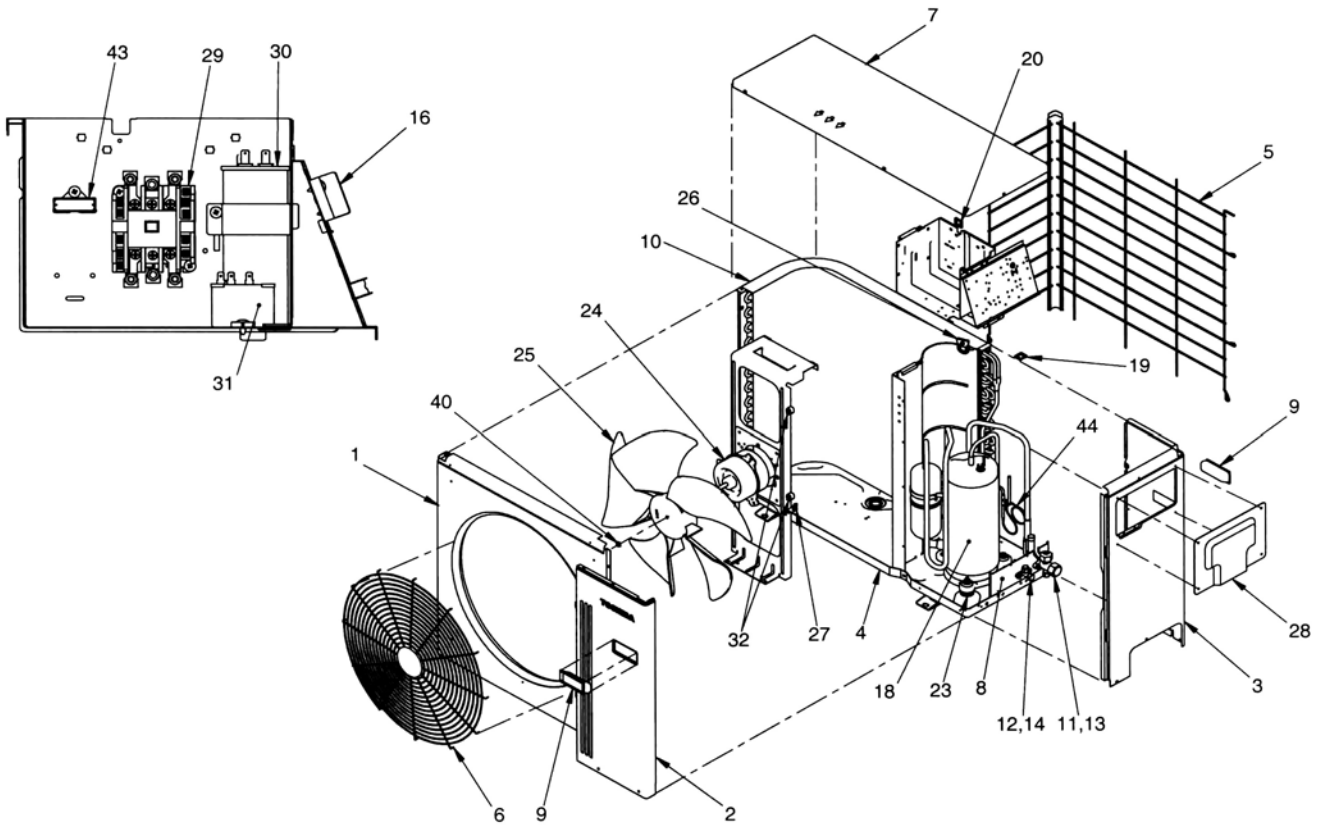
**11-4. Outdoor Unit (RAS-18UAH-E4)**



Location No.	Part No.	Description
01	43005144	Cabinet, Front
02	43T00005	Cabinet, Back
03	43T00004	Cabinet, Side
04	43T42306	Base
05	43T00011	Plate, Packed, Valve
06	43T19314	Guard, Fan
07	43T19005	Handle
08	43T62301	Cover, E-Parts
09	43020302	Fan, Propeller
10	43T21333	Motor, Fan, AC 220 – 240 V, 50 Hz
11	43T47001	Nut, Flange
13	43T96001	Bushing
14	43043609	Condenser Assembly
15	43T46311	Valve, Packed, 6.35 Dia.
16	43T47331	Bonnet, 6.35 Dia.
17	43T46019	Valve, Packed 12.7 Dia.
18	43T47333	Bonnet, 12.7 Dia.
19	43T47309	Capillary Tube, 0.8 Dia.
23	43T49309	Cushion, Rubber
24	43T55322	MF Capacitor (45 $\mu$ F 440V)

Location No.	Part No.	Description
25	43T55324	Capacitor, Plastic-film
26	43T60324	Terminal Block, 6P
27	43T41341	Compressor, 2JS350D5DA02
28	43T52302	Magnetic Contactor, AC220-240V 50Hz
29	43T46319	Valve, 4way
30	43T46330	Coil, V-4WAY, AC220-240V 50Hz
31	43T69059	Sensor, TE
32	43T69060	Sensor, TD
33	43T79305	Nipple, Drain
34	43T58301	Transformer, TT-05
35	43T69336	PC Board
36	43T43316	Sab Condenser
37	43T47013	Capillary Tube, 2.0 Dia.
38	43T60325	Filter, Clamp
46	43T53001	Starter, Electric
47	43045085	Dry-Tank

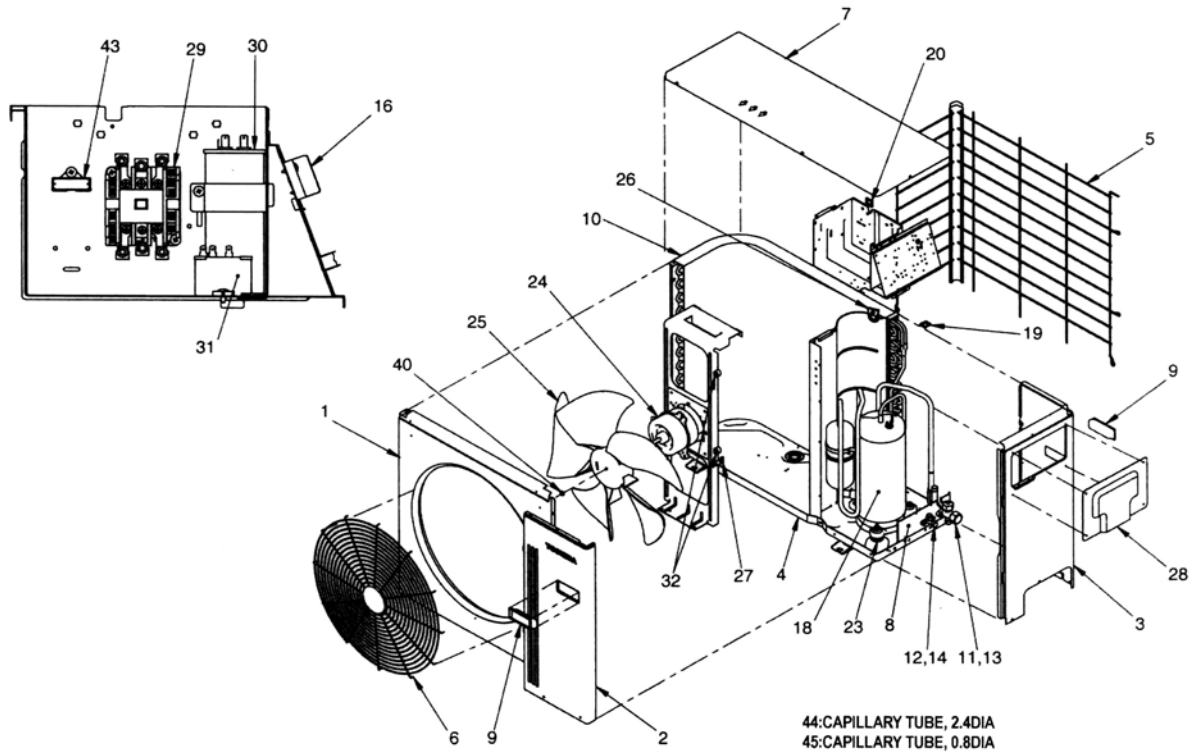
11-5. Outdoor Unit (RAS-24UA-E4, RAS-24UAX4, RAS-24UAX3-T1)



Location No.	Part No.	Description
01	43T00024	Panel, Air Outlet
02	43T00025	Panel, Front
03	43T00026	Panel, Side
04	43T42316	Base Assembly
05	43T19320	Guard, Fin
06	43T19319	Guard, Fan
07	43T91001	Plate, Roof
08	43T42005	Plate, Valve, Packed
09	43T15001	Handle
10	43T43349	Condenser Assembly
11	43T46014	Valve, Packed 15.88 Dia.
12	43T46016	Valve, Packed 6.35 Dia.
13	43T47334	Bonnet, 15.88 Dia.
14	43T47331	Bonnet, 6.35 Dia.
16	43T60324	Terminal Block, 6P
18	43T41370	Compressor, PH400X3CS-4KT1

Location No.	Part No.	Description
19	43T62014	Protector, Cord
20	43T62015	Protector, Cord
23	43T49316	Rubber Cushion
24	43T21314	Motor, Fan, AC 220 – 240 V 50Hz
25	43T20301	Fan, Propeller, 491
26	43T96001	Bushing
27	43T96004	Bushing, Cord
28	43T62013	Cover, E-Parts
29	43T52305	Magnetic Contactor
30	43T55322	MF Capacitor (45 $\mu$ F 440 V)
31	43T55321	MF Capacitor (3.5 $\mu$ F 450 V)
32	43T96003	Clip, Cable
40	43T47317	Nut, Flange
43	43T33002	Spark Killer
44	43T47025	Capillary, Tube, 2.4 DIA

11-6. Outdoor Unit (RAS-24UA-AR4)

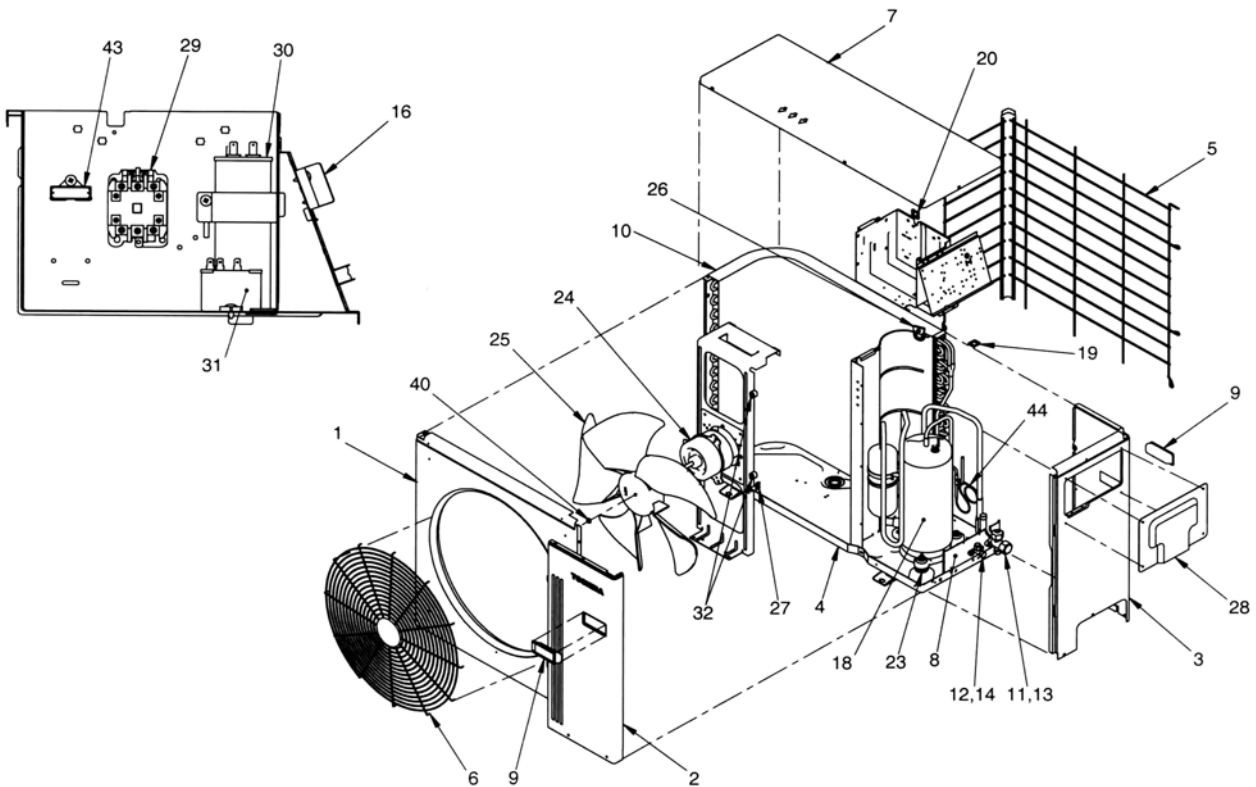


Location No.	Part No.	Description
01	43T00024	Panel, Air Outlet
02	43T00025	Panel, Front
03	43T00026	Panel, Side
04	43T42316	Base Assembly
05	43T19320	Guard, Fin
06	43T19319	Guard, Fan
07	43T91001	Plate, Roof
08	43T42005	Plate, Valve, Packed
09	43T15001	Handle
10	43T43349	Condenser Assembly
11	43T46014	Valve, Packed 15.88 Dia.
12	43T46016	Valve, Packed 6.35 Dia.
13	43T47334	Bonnet, 15.88 Dia.
14	43T47331	Bonnet, 6.35 Dia.
16	43T60324	Terminal Block, 6P
18	43T41374	Compressor, PH400X3CS-4KTS1
19	43T62014	Protector, Cord

Location No.	Part No.	Description
20	43T62015	Protector, Cord
23	43T49316	Rubber Cushion
24	43T21316	Motor, Fan, AC220-240 V 50 Hz
25	43T20301	Fan, Propeller, 491
26	43T96001	Bushing
27	43T96004	Bushing, Cord
28	43T62013	Cover, E-Parts
29	43T52305	Magnetic Contactor
30	43T55309	MF Capacitor (60 $\mu$ F 420V)
31	43T55321	MF Capacitor (3.5 $\mu$ F 450 V)
32	43T96003	Clip, Cable
40	43T47317	Nut, Flange
43	43T33002	Spark Killer
44	43T47025	Capillary Tube, 2.4 Dia
45	43T47309	Capillary Tube, 0.8 Dia



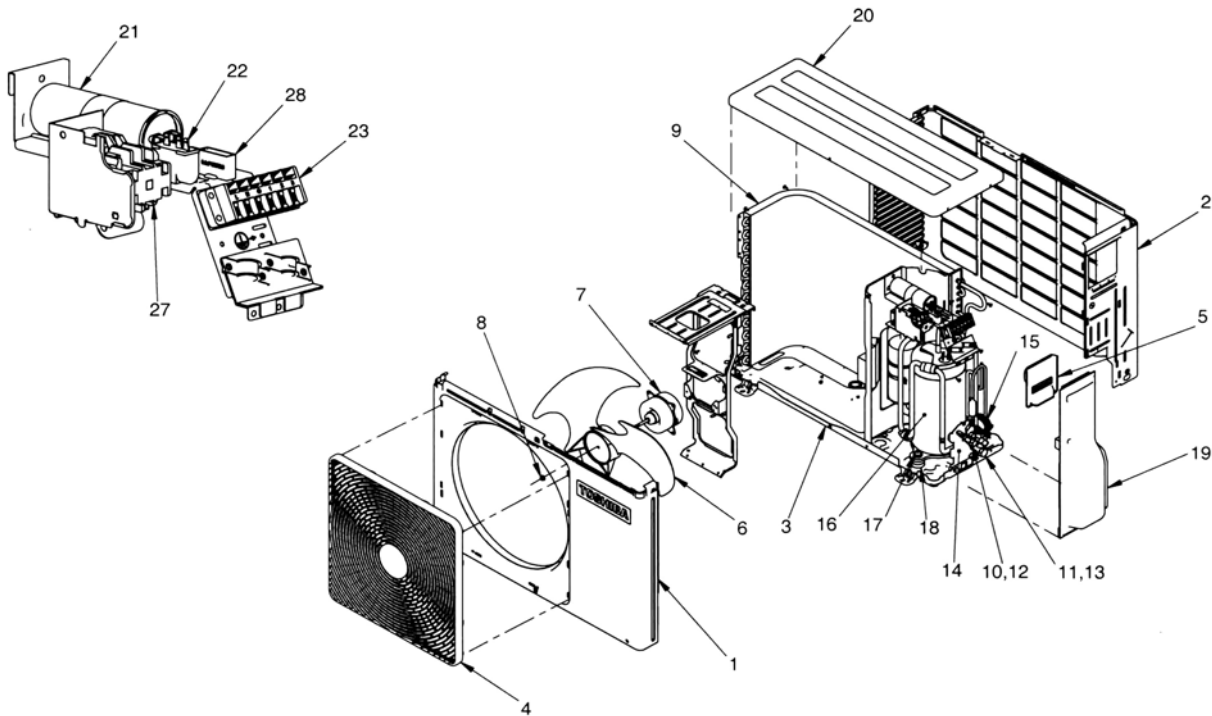
11-7. Outdoor Unit (RAS-18UAX4-T2)



Location No.	Part No.	Description
01	43T00024	Panel, Air Outlet
02	43T00025	Panel, Front
03	43T00026	Panel, Side
04	43T42316	Base Assembly
05	43T19320	Guard, Fin
06	43T19319	Guard, Fan
07	43T91001	Plate, Roof
08	43T42005	Plate, Valve, Packed
09	43T15001	Handle
10	43T43320	Condenser Assembly
11	43T46014	Valve, Packed 15.88 Dia.
12	43T46016	Valve, Packed 6.35 Dia.
13	43T47334	Bonnet, 15.88 Dia.
14	43T47331	Bonnet, 6.35 Dia.
15	43T47013	Capillary Tube, 2.0 Dia.
16	43T60324	Terminal Block, 6P
18	43T41369	Compressor, PH290X2C-4FT1

Location No.	Part No.	Description
19	43T62014	Protector, Cord
20	43T62015	Protector, Cord
23	43T49008	Rubber Cushion
24	43T21314	Motor, Fan, AC220-240 V 50 Hz
25	43T20301	Fan, Propeller, 491
26	43T96001	Bushing
27	43T96004	Bushing, Cord
28	43T62013	Cover, E-Parts
29	43T52302	Switch, Magnet, AC 220 - 240 V 50Hz
30	43T55320	MF Capacitor (35 $\mu$ F 440V)
31	43T55321	MF Capacitor (3.5 $\mu$ F 450V)
32	43T96003	Clip, Cable
40	43T47317	Nut, Flange
43	43T33002	Spark Killer

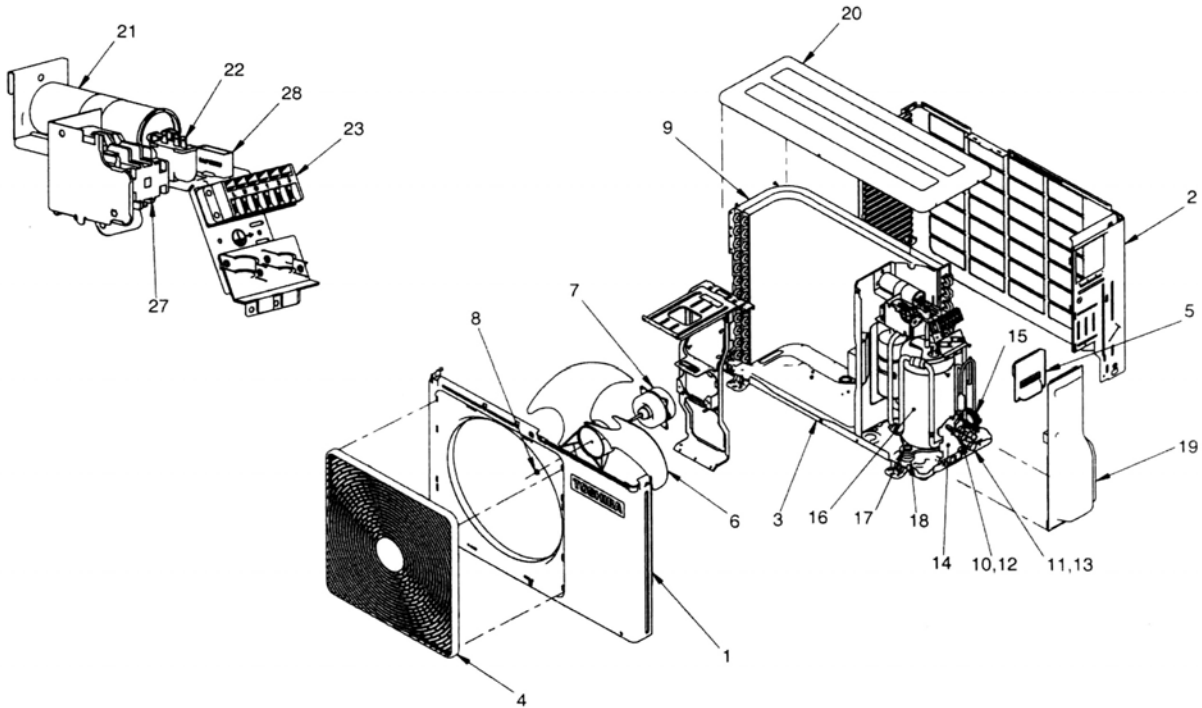
**11-8. Outdoor Unit (RAS-18UA-E4, RAS-18UAX4)**



Location No.	Part No.	Description
01	43T00368	Cabinet, Front Assembly
02	43T03308	Cabinet, Side Assembly
03	43T42317	Base, Coat Assembly
04	43T09318	Guard, Fan
05	43T62311	Cover, E-Parts
06	43T20307	Fan, Propeller
07	43T21345	Motor, Fan, WLF-240-42A-1
08	43T47001	Nut, Flange
09	43T43359	Condenser Assembly
10	43T46308	Valve, Packed 6.35 Dia.
11	43T46019	Valve, Packed 12.7 Dia.
12	43T47331	Bonnet, 6.35 Dia.
13	43T47333	Bonnet, 12.7 Dia.

Location No.	Part No.	Description
14	43T63303	Fixing, Plate, Valve
15	43T47013	Capillary, Tube, 2.0 Dia.
16	43T41371	Compressor, PH340X3C-4KT1
17	43T47324	Bolt, Compressor, M6
18	43T49008	Rubber Cushion
19	43T52310	Packed, Valve, Cover Assembly
20	43T00396	Upper, Cabinet Assembly
21	43T55322	MF Capacitor (45 $\mu$ F 440 V)
22	43T55325	Capacitor, Plastic-Film
23	43T60352	Terminal Block, 6P
27	43T52302	Magnetic Contactor, AC220-240V 50Hz
28	43T33002	Spark Killer

11-9. Outdoor Unit (RAS-18UA-AR4)



Location No.	Part No.	Description
01	43T00368	Cabinet, Front
02	43T03308	Cabinet, Side
03	43T42317	Base, Coat Assembly
04	43T09318	Guard, Fan
05	43T62311	Cover, E-Parts
06	43T20307	Fan, Propeller
07	43T21348	Motor, Fan (WLF-240-42B)
08	43T47001	Nut, Flange
09	43T43360	Condenser Assembly
10	43T46308	Valve, Packed 6.35 Dia.
11	43T46019	Valve, Packed 12.7 Dia.
12	43T47331	Bonnet, 6.35 Dia.
18	43T47333	Bonnet, 12.7 Dia.

Location No.	Part No.	Description
14	43T63303	Fixing, Plate, Valve
15	43T47013	Capillary Tube, 2.0 Dia.
16	43T41372	Compressor, PH340X3C-4KTS1
17	43T47324	Bolt, Compressor (M6)
18	43T49008	Rubber Cushion
19	43T52310	Packed, Valve, Cover Assembly
20	43T00396	Cabinet, Upper Assembly
21	43T55326	MF Capacitor (50 $\mu$ F 440 V)
22	43T55324	Capacitor, Plastic-Film
23	43T60352	Terminal Block, 6P
27	43T52302	Magnetic Contactor, AC220-240V 50Hz
28	43T33002	Spark Killer

TOSHIBA CARRIER (THAILAND) CO., LTD.

144/9 MOO 5, BANGKADI INDUSTRIAL PARK, TIVANON ROAD, TAMBOL BANGKADI,  
AMPHUR MUANG, PATHUMTHANI 12000, THAILAND.