



# TIMBERK

## ЭЛЕКТРИЧЕСКИЙ КОНДИЦИОНЕР ВОЗДУХА. СПЛИТ-СИСТЕМА ELECTRIC AIR CONDITIONER. SPLIT SYSTEM

РУКОВОДСТВО ПО ЭКСПЛУАТАЦИИ  
INSTRUCTION MANUAL

### Модели/Models:

Внутренний блок

Indoor unit

T-AC07-S28-Y

T-AC09-S28-Y

T-AC12-S28-Y

T-AC18-S28-Y

T-AC24-S28-Y

Внешний блок

Outdoor unit

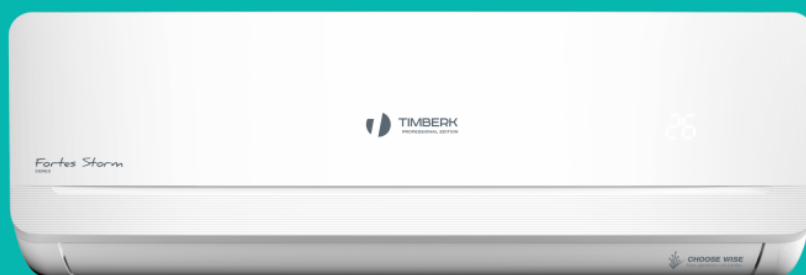
T-AC07-S28-X

T-AC09-S28-X

T-AC12-S28-X

T-AC18-S28-X

T-AC24-S28-X



EAC

**CONTENTS/ОГЛАВЛЕНИЕ:**

1.	IMPORTANT INFORMATION .....	3
2.	SAFEGUARDS.....	3
3.	APPOINTMENT OF THE DEVICE .....	4
4.	TERMS OF USE .....	4
5.	APPLIANCE DESCRIPTION.....	5
6.	DELIVERY SET.....	5
7.	SPECIFICATIONS.....	6
8.	INSTALLATION OF THE DEVICE.....	7
9.	DEVICE CONTROL.....	16
10.	OPERATING MODES .....	19
11.	MAINTENANCE .....	20
12.	WIRING DIAGRAMS .....	21
13.	TROUBLESHOOTING .....	23
14.	UTILIZATION RULES.....	25
15.	TRANSPORTATION AND STORAGE .....	25
1.	ВАЖНАЯ ИНФОРМАЦИЯ.....	26
2.	МЕРЫ ПРЕДОСТОРОЖНОСТИ .....	26
3.	НАЗНАЧЕНИЕ ПРИБОРА.....	28
4.	УСЛОВИЯ ЭКСПЛУАТАЦИИ .....	28
5.	ОПИСАНИЕ ПРИБОРА .....	29
6.	КОМПЛЕКТ ПОСТАВКИ.....	30
7.	РАБОЧИЕ ХАРАКТЕРИСТИКИ .....	30
8.	МОНТАЖ ПРИБОРА.....	31
9.	УПРАВЛЕНИЕ ПРИБОРОМ .....	40
10.	УХОД И ОБСЛУЖИВАНИЕ .....	44
11.	ПРИНЦИПИАЛЬНЫЕ ЭЛЕКТРИЧЕСКИЕ СХЕМЫ.....	45
12.	УСТРАНЕНИЕ НЕИСПРАВНОСТЕЙ.....	47
13.	УТИЛИЗАЦИЯ, СРОК СЛУЖБЫ, ГАРАНТИЙНЫЙ СРОК .....	49
14.	ТРАНСПОРТИРОВКА И ХРАНЕНИЕ .....	50

**Dear customer!**

We thank you for your wise choice and buying of a domestic air conditioner. It will serve you for a long time.

**1. IMPORTANT INFORMATION**

The appliance is designed for air cooling, heating, dehumidifying, ventilating in domestic premises. The manufacturer reserves the right to make minor changes to the design of the product without additional notice that do not fundamentally affect its safety, performance and functionality. There may be some misprints in text and digital notations in the present manual. In case after reading of this manual you have any questions concerning work and operation of the appliance, please, refer to a shop assistant or to a specialized service center for further explanations. The device has a label with all the needed technical data and other useful information about the appliance. Use the appliance only for its intended purposes indicated in this manual.

**2. SAFEGUARDS**

When using an electric air conditioner, a number of safety precautions must be observed. Improper operation by ignoring safety precautions can result in damage to the health of the user and other people, as well as damage to their property.

- Read these instructions carefully before using the appliance to avoid damage during use.
- Before starting up for the first time, check that the specifications on the product comply with the power supply specifications.
- The appliance must be installed in accordance with the national electrical code.
- Use the appliance only for the purpose specified in this manual.
- Do not use the indoor unit outdoors or in high humidity. The outdoor unit is suitable for outdoor use.
- Do not attempt to install the air conditioner by yourself. Consult a qualified installer.
- The appliance must be monitored during its operation, especially if there are children nearby.
- Do not push your fingers or objects through the exhaust grille of the indoor or outdoor units, as this may result in personal injury from a rotating fan.
- Do not allow children to turn on the air conditioner themselves. Children may only turn on air conditioning under adult supervision.
- Do not attempt to repair the air conditioner by yourself. The indoor and outdoor units of the air conditioner are live, it is life threatening! To repair the product, contact an authorized service center.
- Do not use the device if it is malfunctioning or if it has been dropped or damaged.
- Do not open the front panel of the device while it is in use.
- Do not disassemble or modify the device.
- Immediately disconnect the air conditioner from the mains if strange smell or smoke come from it.
- Do not spray or pour water or other liquids on the air conditioner.
- Always unplug the air conditioner during lightning storms.
- Always unplug the air conditioner when it is not in use.

- Before starting cleaning and maintenance, assembling and disassembling the air conditioner, disconnect it from the mains. Clean and maintain in accordance with the instructions in this instruction manual.
- To ensure efficient operation of the air conditioner, operate it in the temperature and humidity conditions specified in this instruction manual.
- Do not use hazardous chemicals to clean the device and do not allow them to get on the device.
- When removing the air filter, do not touch the metal parts of the device.
- To avoid overheating and the risk of fire, as well as damage to the internal electrical network, do not change the length of the power cord or connect the device through power extension cords.
- If the power cord is damaged, it must be replaced by the manufacturer, customer service, or similar qualified personnel to avoid danger.
- To avoid the risk of electric shock, do not place the power cord near heating appliances or flammable or combustible substances.
- Do not start or stop the device by connecting or disconnecting electrical power cord.
- Do not press the buttons on the remote control with foreign objects (fingers only).
- Keep the power cord away from sharp edges and hot surfaces.
- If the product was at a temperature below 0°C for some time, it must be kept at room temperature for at least 2 hours before turning it on.
- Do not use accessories that are not supplied.
- When disconnecting the appliance from the mains, do not pull on the power cord, grasp the plug. Do not twist and do not wind it on anything. Electric air conditioners, split systems with a capacity of 7000, 9000, 12000, 18000 BTU are equipped with a power cord plug, in split systems with a capacity of 24000, 30000, 36000 BTU there is no power cord plug.
- The device is not intended for use by persons (including children) with reduced physical, sensory or mental abilities or in the absence of their life experience or knowledge, unless they are supervised or instructed on the use of the device by the person responsible for their safety. Children must be supervised to prevent playing with the appliance.

### 3. APPOINTMENT OF THE DEVICE

Electric air conditioner is intended for cooling, heating, dehumidifying of air in domestic premises.

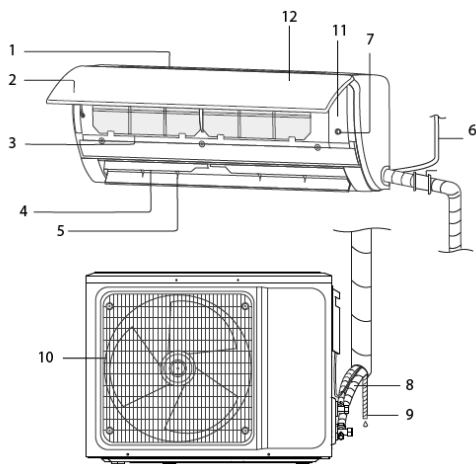
### 4. TERMS OF USE

The air conditioner must be used in the temperature range indicated in table 1.

Mode	Room temperature	Outside temperature
Cooling	From 16 °C	Up to 48 °C
Heating	Up to 32 °C	From -10 °C up to 32 °C

**Table 1**

## 5. APPLIANCE DESCRIPTION



**Fig. 1\***

The conditioner consists of indoor and outdoor units connected by pipelines. The conditioner may be controlled by a remote control or from an indoor unit control panel.

1. Air intake grille.
2. Front panel.
3. Air filter.
4. / 5. Blinds (deflectors) for distribution of treated air.
6. Electric power network cord
7. Emergency shutdown button
8. Copper tube for gas (refrigerant), connection line\*\*.
9. Tube for condensate removal\*\*.
10. Air-outlet grille of the outdoor unit.
11. Power button (auto).
12. Hidden display.

*\*The appearance of the air conditioning units may differ from the images in the manual.*

*\*\*Not supplied*

## 6. DELIVERY SET

Complete set of air conditioner (split system) includes:

Conditioner unit for indoor installation -1 piece

Conditioner unit for outdoor installation -1 piece

Remote control -1 piece

Batteries for remote control (AAA) - 2 pieces

User manual -1 piece

Warranty card -1 piece

Packing of indoor-installation unit -1 piece

Packing of outdoor-installation unit -1 piece

## 7. SPECIFICATIONS

### Technical specifications

Technical specifications of the device are indicated in table 2.

**Table 2**

Model Indoor unit Outdoor unit	Units	T-AC07-S28- Y T-AC07-S28- X	T-AC09-S28- Y T-AC09-S28- X	T-AC12-S28- Y T-AC12-S28- X	T-AC18-S28- Y T-AC18-S28- X	T-AC24-S28- Y T-AC24-S28- X
Capacity (cooling)	BTU(W)	7319 (2145)	9042 (2650)	12556 (3680)	19792 (5792)	25494 (7472)
Capacity (heating)	BTU(W)	7650 (2242)	9281 (2720)	12897 (3780)	20329 (5958)	26293 (7706)
Rated power consumption (cooling/heating)	W	650/610	825/748	1106/1011	1656/1509	2325/2211
Power supply	V/Hz	220-240~/50	220-240~/50	220-240~/50	220-240~/50	220-240~/50
Rated power current (cooling/heating)	A	2.82/2.65	3.58/3.25	4.8/4.39	7.2/6.56	10.1/9.6
Air consumption (indoor unit/outdoor unit)	m <sup>3</sup> /h	420/850	450/1000	550/1550	800/2200	1050/2700
Noise level (indoor unit)	dB(A)	33/29/27/24	33/30/27/24	36/33/30/27	38/35/32/29	40/37/34/31
Noise level (outdoor unit)	dB(A)	48	50	52	54	55
Degree of protection against moisture (indoor unit/outdoor unit)	-	IPX0/IPX4	IPX0/IPX4	IPX0/IPX4	IPX0/IPX4	IPX0/IPX4
Refrigerant	-	R410A	R410A	R410A	R410A	R410A
Energy efficiency (cooling/heating)	-	A/A	A/A	A/A	A/A	B/C
Coefficient of energy efficiency (cooling)	-	3,228	3,221	3,214	3,220	3,214
Electrical protection class	-	Class I/Class I	Class I/Class I	Class I/ Class I	Class I/ Class I	Class I/ Class I
Refrigerant piping, Liquid side / Gas side	inch	1/4 & 3/8	1/4 & 3/8	1/4 & 3/8	1/4 & 1/2	3/8 & 5/8
Max. refrigerant pipe length	m	10	10	12	15	18
Maximum difference in level	m	7	7	7	10	10
Operating temperature range: cooling	°C	16~48	16~48	16~48	16~48	16~48
Operating temperature range: heating	°C	-10~32	-10~32	-10~32	-10~32	-10~32
Filling of refrigerant	g	400	540	610	1000	1450

Distance between brackets (outdoor unit)	mm	431*278	431*278	500*260	546*300	540*335
Service area of the device	m <sup>2</sup>	8-13	11-17	14-23	22-35	29-46
Annual energy consumption (cooling mode)	kW*h/year	343	420	593	923	1211
Operating mode (cooling/cooling + heating)	-	cooling + heating	cooling + heating	cooling + heating	cooling + heating	cooling + heating
Cooling type (air/water)	-	air	air	air	air	air
Compressor	-	Toshiba	Toshiba	Toshiba	Hitachi	Hitachi
Maximum operating pressure of refrigerant circuit (discharge/suction)	MPa	4.15/1.15	4.15/1.15	4.15/1.15	4.15/1.15	4.15/1.15
Net weight (indoor unit)	kg	8	8.5	9	11	12
Net weight (outdoor unit)	kg	20	21	25	37	39
Gross weight (indoor unit)	kg	9.5	10	10.5	13	14
Gross weight (outdoor unit)	kg	22	23	27.5	40	43
Net dimensions (indoor unit)	mm	690×283×199	690×283×199	750×285×200	900×310×225	900×310×225
Net dimensions (outdoor unit)	mm	665×420×280	665×420×280	660×500×240	800×545×315	825×655×310
Packing dimensions (indoor unit)	mm	760×345×280	760×345×280	820×345×280	970×380×305	970×380×305
Packing dimensions (outdoor unit)	mm	760×470×345	760×470×345	780×550×345	920×605×395	945×435×725

## 8. INSTALLATION OF THE DEVICE

### Important Notices:

- Before installing, please contact with local authorized maintenance center, if unit is not installed by the authorized maintenance center, the malfunction may not be solved, due to discommodious contact. To move and install air conditioner to another place, also please contact our local special service center.
- The air conditioner must be installed by professionals according to the national wiring rules and this manual.

### Requirements for Installation position:

- Avoid places of inflammable or explosive gas leakage or where there are strongly aggressive gases.
- Avoid places subject to strong artificial electric/magnetic fields.
- Avoid places subject to noise and resonance.
- Avoid severe natural conditions (e.g. heavy lampblack, strong sandy wind, direct sunshine or high temperature heat sources).
- Avoid places within the reach of children.
- Select where it is easy to perform service and repair and where the ventilation good.
- The outdoor unit shall not be installed in any way that could occupy an aisle, stairway, exit,

fire escape, catwalk or any other public area.

- The outdoor unit shall be installed as far as possible from the doors and windows of the neighbors as well as the green plants.

**Requirements of the mounting structure:**

- The mounting rack must meet the relevant national or industrial standards in terms of strength with welding and connection areas rustproofed.
- The mounting rack and its load carry surface shall be able to withstand 4 times or above the weight of the unit.
- The mounting rack of the outdoor unit shall be fastened with expansion bolt.
- Ensure the secure installation regardless of what type of wall on which it is installed, to prevent potential dropping that could hurt people.

**Electrical Safety Requirements:**

- Be sure to use the rated voltage and air conditioners dedicated circuit for the power supply, and the power cable diameter must meet the national requirements.
- If the rated current of the device is greater than or equal to 16A, it is necessary to use a connection to the mains with the organization of an individual line and install an ELCB. For the connecting line, a cable with a cross section of 1.5-2 mm<sup>2</sup> and circuit breakers are used.
- The minimum clearance between the air conditioner and the combustibles is 1.5 m.
- The interconnection cord enables connect the indoor and outdoor units. You must first choose the right cable size before preparing it for connection.

**Cable Types:**

Indoor Power Cable (if applicable): H05VV-F;

Interconnection cord: H07RN-F or H05RN-F;

**Minimum Cross-Sectional Area of Power Cable and Interconnection cord:**

Rated Current of Appliance (A)	Nominal Cross-Sectional Area (mm <sup>2</sup> )
>3 and ≤ 6	0.75
>6 and ≤10	1
>10 and ≤16	1.5
> 16 and ≤25	2.5
>25 and ≤32	4
>32 and ≤40	6

- The size of the interconnection cord, power cable, fuse, and switch needed is determined by the maximum current of the unit.
- The maximum current is indicated on the nameplate located on the side panel of the unit. Refer to this nameplate to choose the right cable, fuse, or switch.



### Requirements for operations at raised height:

- When carrying out installation at 2 m or higher above the base level, safety belts must be worn and ropes of sufficient strength be securely fastened to the outdoor unit, to prevent falling that could cause personal injury or death as well as property loss.

### Grounding Requirements:

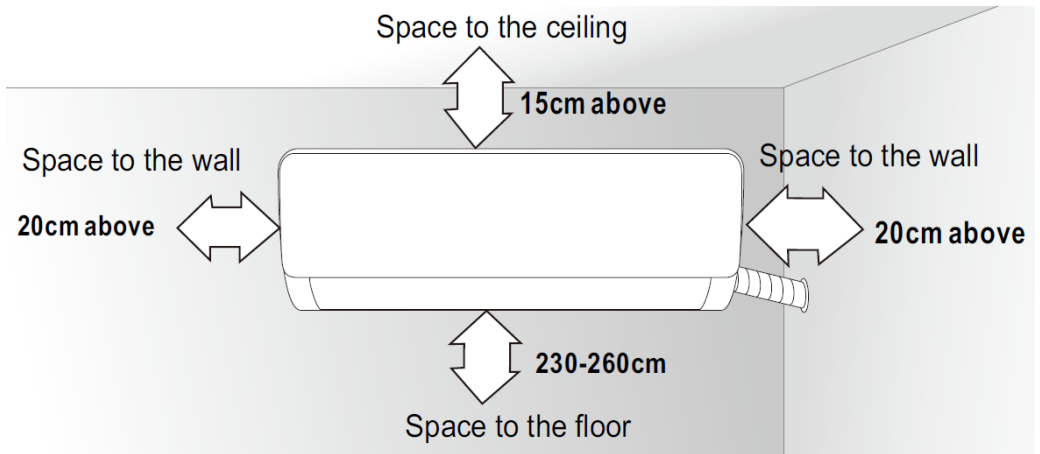
- The air conditioner is the type I electrical appliance and must ensure a reliable grounding.
- Do not connect the grounding wire to a gas pipe, water pipe, lightning rod, telephone line, or a circuit poorly grounded to the earth.
- The grounding wire is specially designed and shall not be used for other purpose, nor shall it be fastened with a common tapping screw.

### Others:

The model and rating value of the fuse shall be subject to the silkscreen on corresponding controller or fuse sleeve.

## INSTALLATION OF INDOOR UNIT

### Dimension drawing of indoor unit installation



**Fig. 2**

### Mounting plate

1. The wall for installation of the indoor unit shall be hard and firm, so as to prevent vibration.
2. Use the "+" type screw to fasten the peg board, horizontally mount the peg board on the wall, and ensure the lateral horizontal and longitudinal vertical.
3. Pull the peg board by hand after the installation, to confirm whether it is solid.

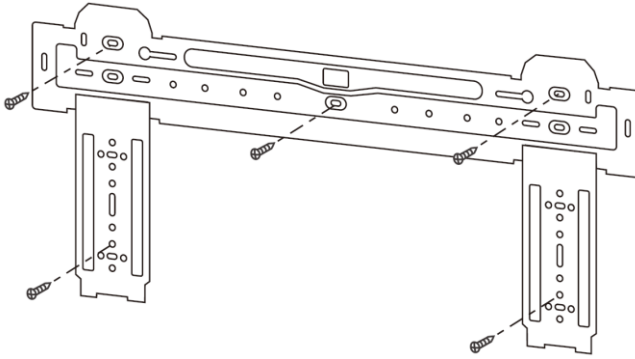


Fig. 3

### Wall-through hole

1. Make a hole with an electric hammer or a water drill at the predetermined position on the wall for piping, which shall slant outwardly by 5°-10°.
2. To protect the piping and the cables from being damaged running through the wall, and from the rodents that may inhabit in the hollow wall, a pipe protecting ring shall be installed and sealed with putty.

**Note:** Usually, the wall hole is  $\Phi 60\text{mm} \sim \Phi 80\text{mm}$ . Avoid pre-buried power wire and hard wall when making the hole

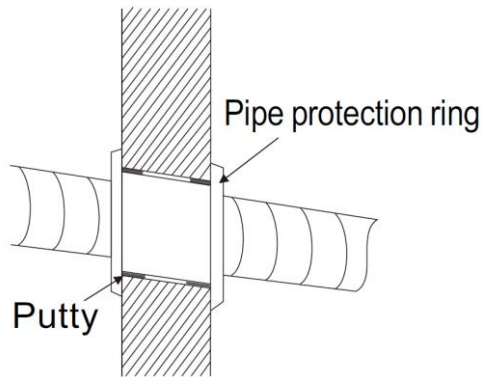


Fig. 4

### Route of Pipeline

1. Depending on the position of the unit, the piping may be routed sideway from the left or the right (Fig. 5), or horizontally from the back (Fig. 6) (depending on the pipe length of the indoor unit). In the case of sideway routing, cut off the outlet cutting stock of the opposite side.
2. The power cable may be routed separately from the piping. Cut off the outlet cutting stock and then run the power cable through the hole.

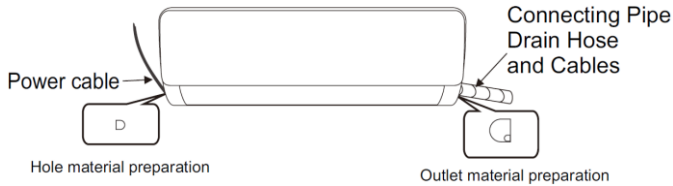


Fig. 5

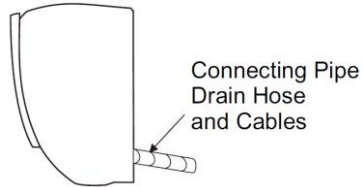


Fig. 6

### Pipes connection

1. Remove the mountings and pull the indoor unit pipe out of the housing.
2. Connect the connecting pipe to the indoor unit: Aim at the pipe center, tighten the Taper nut with fingers, and then tighten the Taper nut with a torque wrench, and the direction is shown in diagram. The torque used is shown in the following table.

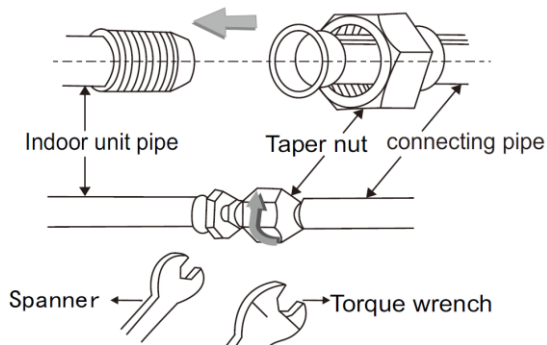


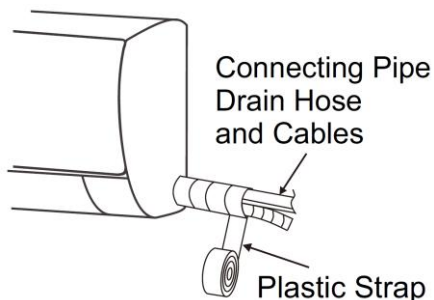
Fig. 7

### Drain pipe connection

1. Put a corrugation to the output of the indoor unit (a plastic tube with a tip).
2. Fix the connection with a clamp
3. The drain hose must be laid with a slope towards the water outlet. The drain hose must not have bends, twists, bends, etc. The end of the drain hose shouldn't touch water

### Wrap the Piping

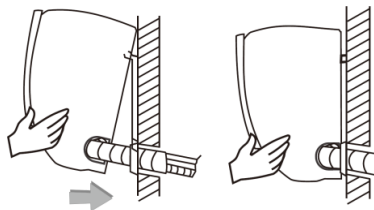
1. Use the insulation sleeve to wrap the joint part the indoor unit and the connection pipe, and then use insulating material to pack and seal insulation pipe, to prevent generation of condensate water on the joint part.
2. Connect the water outlet with drain pipes, and make the connection pipe, cables, and the drain hose straight.
3. Use plastic cable ties to wrap the connecting pipes, cables and drain hose. Run the pipe sloping downward.



**Fig. 8**

### Fixing the Indoor Unit

1. Hang the indoor unit on the peg board, and move the unit from left to right to ensure that the hook is properly positioned in the peg board.
2. Push toward the lower left side and the upper right side of the unit toward the peg board, until the hook is embedded in the slot and makes a "click" sound.

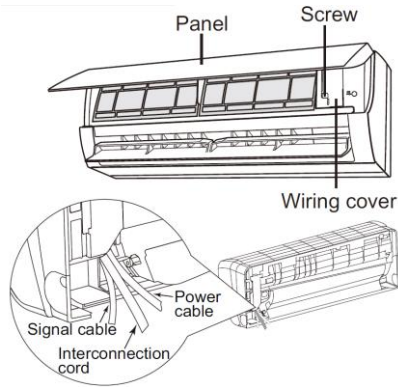


**Fig. 9**

### Interconnection cord installation

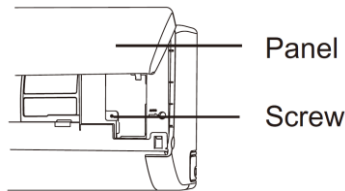
Connect interconnection cord of indoor unit

1. Open the panel, remove the screw on the wiring cover and then take down the cover.
2. Make the interconnection cord go through the cable-cross hole at the back of indoor unit and then pull it out from the front side.
3. Remove the wire clip; connect the interconnection cord to the wiring terminal according to the wiring diagram; tighten the screw and then fix the interconnection cord with wire clip.



**Fig. 10**

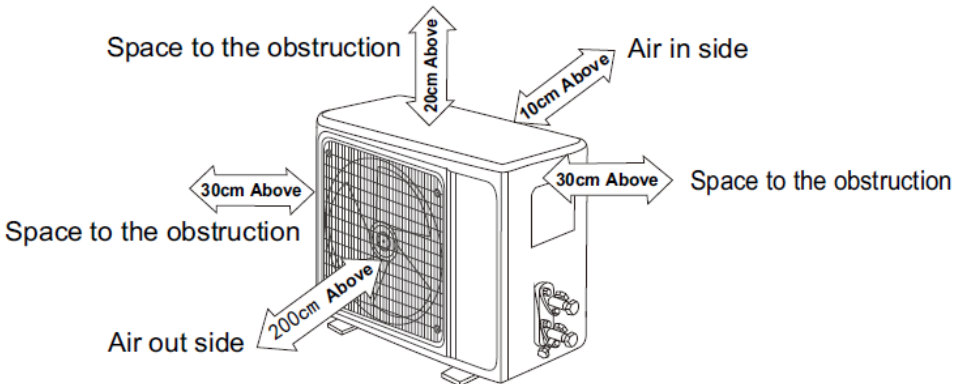
4. Put wiring cover back and then tighten the screw.
5. Close the panel.



**Fig. 11**

INSTALLATION OF OUTDOOR UNIT

Dimension drawing of outdoor unit installation



**Fig. 12**

## Install the connection pipe

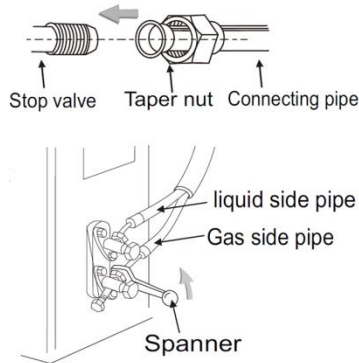
Connect the Outdoor Unit with Connecting Pipe:

Aim the counter-bore of the connecting pipe at the stop valve, and tighten the Taper nut with fingers. Then tighten the Taper nut with a torque wrench.

When prolonging the piping, extra amount of refrigerant must be added so that the operation and performance of the air conditioner will not be compromised.

Piping length	Amount of refrigerant to be added	
≤5M	Not needed	
5-15M	CC≤12000Btu	20g/m
	CC≥18000Btu	30g/m

**Note:** This table is for reference only.



**Fig. 13**

## Wiring Connection

1. Loosen the screws and remove E-parts cover from the unit.
2. Connect the cables respectively to the corresponding terminals of the terminal board of the outdoor unit (see the wiring diagram), and if there are signals connected to the plug, just conduct butt joint.
3. Ground wire: Remove the grounding screw out of the electric bracket, cover the grounding wire end onto the grounding screw and screw it into the grounding hole.
4. Fix the cable reliably with fasteners.
5. Put the E-parts cover back in its original place and fasten it with screws.

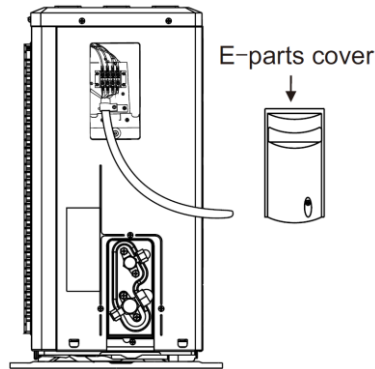


Fig. 14

## Expelling the air

### Outdoor unit refrigerant discharging method

After the pipe side connection is complete, proceed as follows:

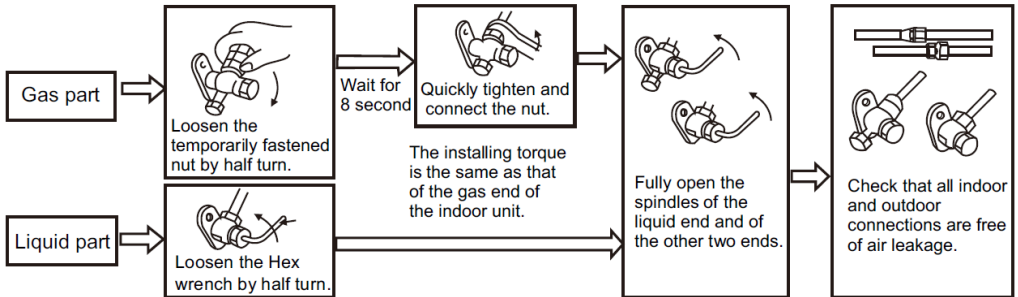
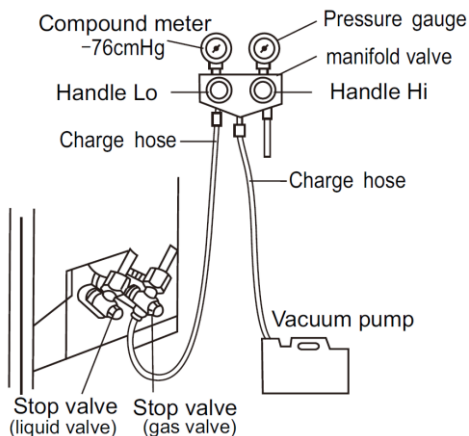


Fig. 15

### Vacuum Pumping Method (R410A refrigerant evacuation must use the vacuum pumping method)

Before working on the air conditioner, remove the cover of the stop valve (gas and liquid valves) and be sure to retighten it afterward (to prevent the potential air leakage).

1. To prevent air leakage and spilling tighten all connecting nut of all flare tubes.
2. Connect the stop valve, charge hose, manifold valve, and vacuum pump.
3. Fully open the handle Lo of the manifold valve and apply vacuum for at least 15 minutes and check that the compound vacuum gauge reads  $-0.1\text{MPa}(-76\text{cmHg})$ .
4. After applying vacuum, fully open the stop valve with a hex wrench.
5. Check that both indoor and outdoor connections are free of air leakage.



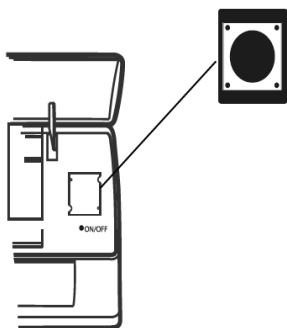
**Fig. 16**

## 9. DEVICE CONTROL

The conditioner may be controlled from a remote control or from an indoor unit control panel.

### Description of indoor unit control panel

In case the remote control is lost or cannot be used at the moment, you may use a control button «on/off» located behind the front panel. For that, open the front panel carefully by pulling it from the left and right.



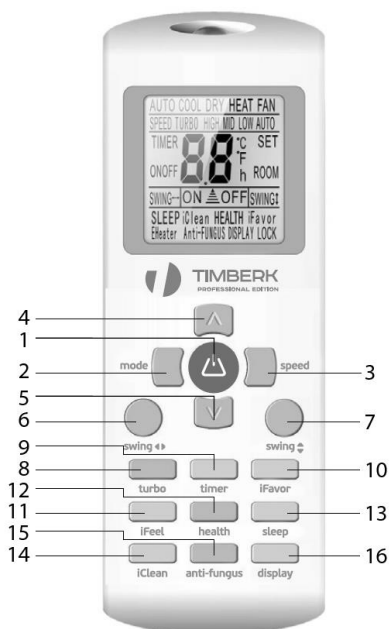
**Fig. 17**

Your device is equipped with a function for connecting an additional module, for controlling the air conditioner via Wi-Fi.

Wi-Fi control works only after connecting an additional module (sold separately). You may find detailed instructions for installing the module in the air conditioner and for configuring the software in user's manual for the Wi-Fi module.



## Description of remote control



**Fig. 18\***

1. **POWER** - Turns the air conditioning on / off.

2. **MODE** - Selecting the operating mode: AUTO – COOL - DRY - HEAT - FAN.

3. **SPEED** - Selection of the ventilation speed according to the scheme: LOW - MID - HIGH - AUTO.

**Note:** AUTO air speed is not available in ventilation mode.

4,5. **Buttons «Up», «Down».** The «Up» button (4) - the temperature will rise by 1 °C. The «Down» button (5) - the temperature will drop by 1 °C. The temperature setting range is from 16°C (60°F) to 32°C (90°F).

### 6. **SWING - Horizontal rotation mode**

Controlling the direction of the airflow horizontally. Press this button to turn the louver left/right.

**7. SWING - Vertical rotation mode.**

Controlling the direction of the airflow vertically. Press this button to turn the louver up/down.

**8. TURBO** - Automatic operation of maximum cooling (in cooling mode) or maximum heating (in heating mode).

**9. TIMER** - Setting the on/off time of the air conditioner by timer

**10. iFAVOR** - Return the device to the user's previous personal settings (option is not supplied in this model).

**11. iFeel** - Click this button to display temperature settings in the control panel for a comfortable temperature. The remote-control sensor measures temperature of the room and sends data to the indoor-unit. So set temperature is established near the remote-control, not near the indoor unit. The second press adjusts the pre-set temperature.

**12. HEALTH** - Activating the ionization function (option is not supplied in this model).

**13. SLEEP** - Click it and temperature will decrease on 2 degrees during 10 hours. After this time expires, the device will return to automatic mode. The speed of fan also gets lower, so the noise level decreases too.

**14. iCLEAN** - Press "iCLEAN" when the device is OFF, the remote control will display "CL" and the air conditioner will start the cleaning function. This function gives opportunity to prevent fungus appearance and bad smell by drying moisture from evaporator (using drying, purging and heating the module), which increases the efficiency of cooling and heating. iCLEAN mode works for about 30 minutes.

**15. ANTI-FUNGUS** - Starting the automatic drying mode of the indoor unit.

**16. DISPLAY** - Press this button to turn on/off the display. Indication of the remote control display shall correspond to selected modes.

*\* The appearance of the remote control, as well as the buttons and indicators may differ from the image in the manual, but their functions are identical*

**Operation with remote control**

Mounting and replacement of batteries: mount two AAA alkaline batteries, according to polarity indicated on the remote control. In order to avoid malfunction of the remote control do not insert used batteries or batteries of various types. If the conditioner is not used for a long time, remove batteries from the remote control or else electrolyte may leak and damage the board. In normal operation of the conditioner average service life of batteries will be about a half-year. Do not dispose of batteries in regular garbage bins; they should be disposed of in special bins at garbage collection points.

Replace batteries, if command receiving is not confirmed with an audio signal, or if the display does not show a sign of command transfer. When generating commands from the remote control point an IR emitter at a remote-control signal receiver situated on the indoor unit. Hold the remote control board at the distance of no more than 8 m from the indoor unit.

The remote control will not work if there are curtains, doors or other objects between it and the indoor unit. Do not allow water to enter the remote control and do not expose it to direct sunlight and heat sources; direct the IR emitter to the remote control signal receiver located on the indoor unit.



## 10. OPERATING MODES

### AUTOMATIC OPERATION MODE

1. Press the MODE button, select the automatic operation mode.
2. By pressing the SPEED button, you can select the fan speed from LOW, MID, HIGH, AUTO.
3. Press the ON/OFF button, the air-conditioner starts to operate.
4. Press the ON/OFF button again, the air-conditioner stops.

**Note:** In the fan operation mode, the temperature settings are non-effective.

### COOLING/HEATING OPERATION MODE

1. Press the MODE button, select the Cooling or Heating operation mode.
2. By pressing the «» or «» button, you can set the temperature range from 16°C (60°F) ~ 32°C (90°F), the display changes as you touch the button.
3. By pressing the SPEED button, you can select the fan speed from LOW, MID, HIGH, AUTO.
4. Press the ON/OFF button, the air-conditioner starts to operate.
5. Press the ON/OFF button again, the air-conditioner stops.

**Note:** In the fan operation mode, the temperature settings are non-effective.

### FAN OPERATION MODE

1. Press the MODE button, select the fan operation mode.
2. By pressing the SPEED button, you can select the fan speed from LOW, MID, HIGH, AUTO
3. Press the ON/OFF button, the air-conditioner starts to operate.
4. Press the ON/OFF button again, the air-conditioner stops.

**Note:** In the fan operation mode, the temperature settings are non-effective.

### DRYING OPERATION MODE

1. Press the MODE button, select the drying operation mode.
2. Press the ON/OFF button, the air-conditioner starts to operate.

3. Press the ON/OFF button again, the air-conditioner stops.

## **BACKLIGHT FUNCTION (for remote controllers with such function only)**

The remote control has a backlight which can be turned on by pressing any button for the convenience of operation in darkness. The backlight will be automatically turned off if there is no operation within 10 seconds.

## **11. MAINTENANCE**

Before cleaning unplug the conditioner.

### **Cleaning of the indoor unit and remote control board:**

- Indoor unit and remote control should be cleaned with a dry soft cloth.
- If the indoor unit is too unclean, moisten the cloth and squeeze it well.
- In order to avoid the damage of paint or parts of the conditioner, do not clean it with brushes and do not leave them on the surface of indoor unit.
- In order to avoid the damage of surface or deformation of the conditioner parts, do not clean it with petrol, solvents, cleaning powders or other chemically active substances.

### **Before a long break in use of the conditioner:**

- Turn the conditioner on for several hours in the FAN mode. It will dry its inner cavities.
- Unplug the conditioner.
- Remove the batteries from the remote control.

### **Checks before starting:**

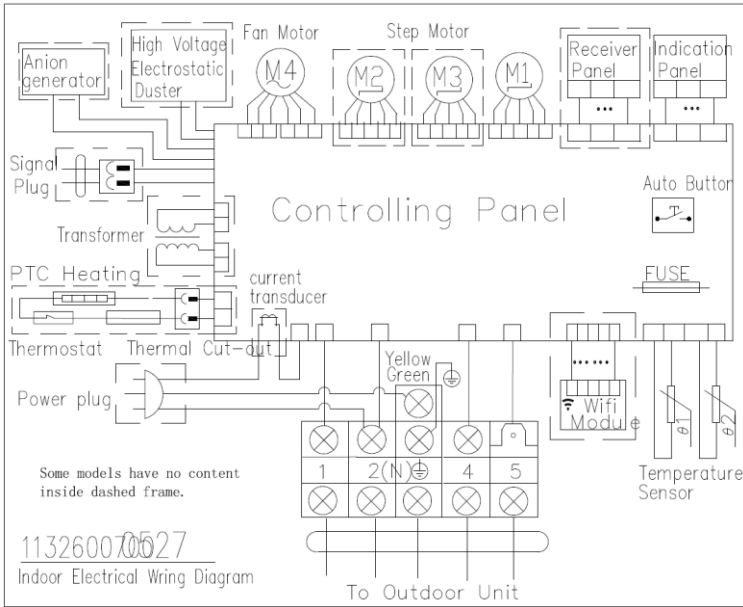
- Make sure that an air filter is installed.
- Make sure that air inlet and outlet grilles of the outdoor unit are not blocked by foreign objects.

### **Cleaning of air filter:**

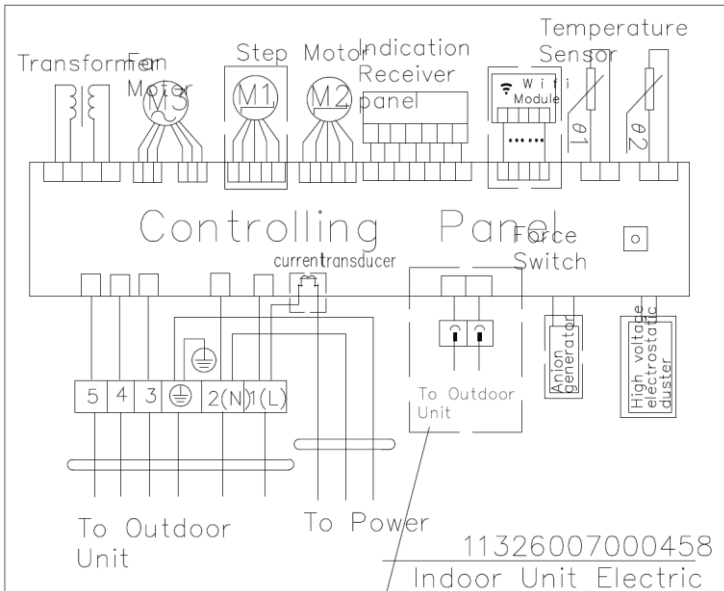
- Air filter cleans the air entering the conditioner from dust and foreign particles. If the filter is contaminated, the conditioner capacity decreases sharply.
- If the conditioner is operated permanently, the filter should be cleaned once per two weeks.
- If the conditioner is installed in a room with dusty atmosphere, then the air filter should be cleaned more often.
- To remove the filter, open the indoor unit panel.
- Remove air filters. Clean the filter with a vacuum cleaner. If the filter is contaminated heavily, clean it with a soft brush and wash in diluted washing solution, then dry it in a cool place.
- While cleaning the filter with the vacuum cleaner, hold it with contaminated surface up. While washing the filter in water, hold it with contaminated surface down.
- Do not dry the filter in the sun or near fire.
- Set the air filter to initial position and close the panel.

12. WIRING DIAGRAMS

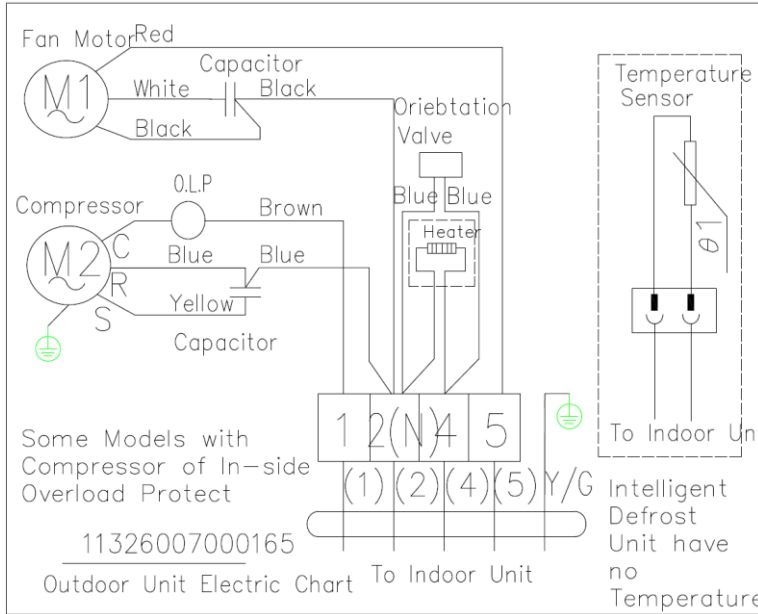
T-AC07-S28-Y, T-AC09-S28-Y, T-AC12-S28-Y, T-AC18-S28-Y



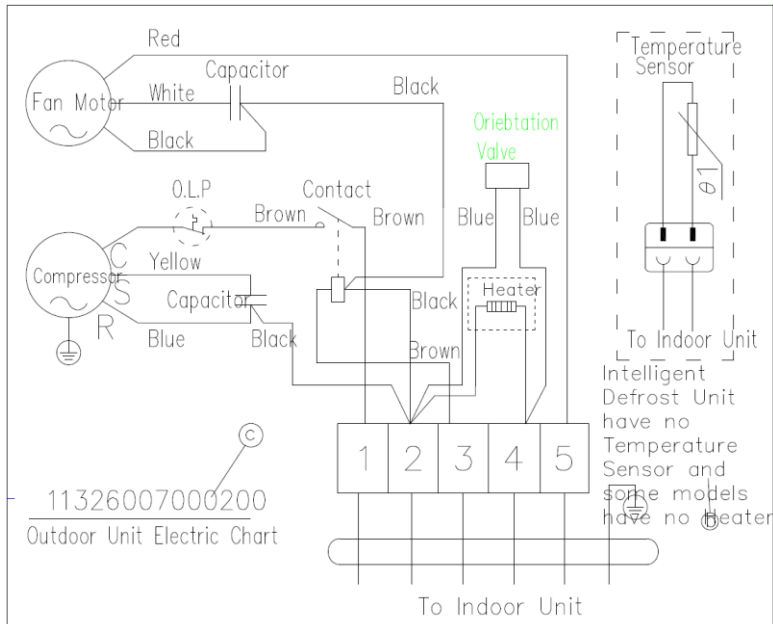
T-AC24-S28-Y



T-AC07-S28-X, T-AC09-S28-X, T-AC12-S28-X, T-AC18-S28-X



T-AC24-S28-X



### 13. TROUBLESHOOTING

In case of emergency, please, use the troubleshooting methods shown in table. If it is impossible to solve problems with these methods, apply to the service center.

Failures and their possible reasons:

Failure	Possible reason	Actions
The appliance does not operate	Power failure / plug pulled out*	Wait for restoration of power supply / plug in the device*
	Damaged indoor/outdoor unit fan motor	Contact an authorized service center
	Faulty compressor thermomagnetic circuit breaker	Contact an authorized service center
	Faulty protective device or fuses.	Contact an authorized service center
	Loose connections or plug pulled out	Contact an authorized service center \ plug in the device*
	It sometimes stops operating to protect the appliance.	Wait a little
	Voltage higher or lower than the voltage range	Before using the device, check whether the technical specifications indicated on the product comply with the power supply
	Active TIMER-ON function	Wait until the air conditioner will turn on by timer or cancel the timer setting
	Damaged electronic control board	Contact an authorized service center
	The remote control batteries have run out	Replace remote control batteries
	Room temperature is too low or too high	Use the device in the operating temperature range specified by the manufacturer (see table of technical specifications)
Strange smell	Air filter is dirty	Clean the air filter
Noise of running water	Back flow of liquid in the refrigerant circulation	Not a malfunction
A mist comes from the air outlet	This occurs when the air in the room becomes very cold, for example in the	Not a malfunction

	COOLING or DEHUMIDIFYING/DRY modes.	
Strange noise	This noise is made by the expansion or contraction of the front panel due to variations in temperature and does not indicate a problem.	Not a malfunction
Insufficient hot or cold airflow	Incorrect temperature setting.	Set the correct air temperature
	Air inlet or outlet of indoor or outdoor unit are blocked.	Remove foreign objects from inlet and outlet
	Air filter is dirty.	Clean the air filter
	Fan speed set at minimum.	Increase the fan speed
	Other sources of heat in the room.	Remove all heat sources from the room
	No refrigerant.	Contact an authorized service center
	The air conditioner is not powerful enough for the room	Use the device in an area recommended by the manufacturer (see table of technical specifications).
	Strong sunlight in the room	Close the curtains
	Windows and / or doors are open	Close windows and / or doors
The appliance does not respond to commands	Remote control is not near enough to indoor unit.	Use the remote control in close proximity to the device, directing it to the device
	Batteries in remote control are exhausted.	Replace remote control batteries
	Obstacles between remote control and signal receiver in indoor unit.	Use the remote control in close proximity to the device, directing it to the device
The display is off	Active LED function	Disable this function
	Power failure	Wait for power to recover
<b>Switch off the air conditioner immediately and cut off the power supply in the event of:</b>		
Strange noises during operation.		
Faulty electronic control board		
Faulty fuses or switches.		
Spraying water or objects inside the appliance.		
Overheated cables or plugs.		
Very strong smells coming from the appliance.		

*\*Electric air conditioners, split systems with a capacity of 7000, 9000, 12000, 18000 BTU are equipped with a*



power cord plug, in split systems with a capacity of 24000, 30000, 36000 BTU there is no power cord plug.

## 14. UTILIZATION RULES



After the lifetime of the device expires, it should be recycled in compliance with the laws, rules and methods in region of recycling. Detailed information about the recycling of the device, you can receive from a representative of the local authorities, after providing full information about the device. The manufacturer and authorized organization of the manufacturer do not carry responsibility for the fulfillment by the Buyer of the requirements of legislation on utilization and methods of utilization of the device selected by the Buyer. The lifetime of the device is indicated in the warranty card. Warranty period for the device and warranty terms are specified in the warranty card. The warranty card is an integral part of the documentation supplied with this unit. If there is no warranty card in the delivery set, ask for it from the Seller. The warranty card provided by the Seller must conform to the manufacturer's form.

The manufacturer and the authorized organization of the manufacturer remove responsibility for any possible harm which can be caused to people, animals or property directly or indirectly, if this harm occurred as a result of noncompliance with the rules and operating conditions, installation of the device, intentional or reckless actions of the user- and / or third parties, as well as in situations caused by natural and / or anthropogenic accidents.

## 15. TRANSPORTATION AND STORAGE

1. During transportation, any possible impacts and movements of the package inside the vehicle should be excluded.
2. Transporting and storage should be provided in strict accordance to the manipulation marks.
3. Outdoor unit should be transported vertical.

Temperature Requirements*	Transportation and storage	From -30°C up to +50°C
Humidity Requirements*		From 15% up to 85% (without a condensate)

We are exploring new technologies and we constantly improving the quality of our products. That's why specifications, design and accessories are subject to change without any specific notice.

\* This product must have storage in dry, well-ventilated space of warehouse at the temperature not lower than +5°C

## Уважаемый покупатель!

**Благодарим Вас за удачный выбор и приобретение электрического кондиционера воздуха. Он прослужит Вам долго.**

### 1. ВАЖНАЯ ИНФОРМАЦИЯ

Просим внимательно ознакомиться с руководством по эксплуатации перед использованием прибора. В данном руководстве по эксплуатации содержится важная информация, касающаяся Вашей безопасности, а также рекомендации по правильному использованию прибора и уходу за ним. Сохраните руководство по эксплуатации вместе с гарантийным талоном, кассовым чеком, по возможности, картонной коробкой и упаковочным материалом. В данном руководстве по эксплуатации описываются разные виды данного типа устройства. Приобретенный Вами прибор может несколько отличаться от описанного в руководстве, что не влияет на способы использования и эксплуатации. Производитель оставляет за собой право без дополнительного уведомления вносить незначительные изменения в конструкцию изделия, кардинально не влияющие на его безопасность, работоспособность и функциональность. В тексте и цифровых обозначениях данной инструкции могут быть допущены опечатки.

#### **ВНИМАНИЕ!**

Важные меры предосторожности и инструкции, содержащиеся в данном руководстве, не включают всех возможных режимов и ситуаций, которые могут встречаться. Изготовитель не несет ответственности в случае повреждения прибора или его отдельных частей во время транспортировки, в результате неправильной установки, в результате колебаний напряжения, а также в случае, если какая-либо часть прибора была изменена или модифицирована.

#### **ПРИМЕЧАНИЕ**

На изделии присутствует этикетка, на которой указаны все необходимые технические данные и другая полезная информация о приборе. Используйте прибор только по назначению, указанному в данном руководстве.

### 2. МЕРЫ ПРЕДОСТОРОЖНОСТИ

При использовании электрического кондиционера воздуха, необходимо соблюдать ряд мер предосторожности. Неправильная эксплуатация в силу игнорирования мер предосторожности может привести к причинению вреда здоровью пользователя и других людей, а также нанесению ущерба их имуществу.

- Внимательно прочитайте данную инструкцию перед эксплуатацией прибора во избежание поломок при использовании.
- Перед первоначальным включением проверьте, соответствуют ли технические характеристики, указанные на изделии параметрам электросети.
- Прибор должен быть установлен в соответствии с национальными правилами устройства электроустановок.
- Используйте прибор только по назначению, указанному в данной инструкции.

- Не используйте внутренний блок вне помещений или в условиях повышенной влажности. Внешний блок пригоден для использования вне помещений.
- Не пытайтесь самостоятельно устанавливать кондиционер. Обратитесь к квалифицированному специалисту по установке.
- Электроприбор должен находиться под наблюдением во время его эксплуатации, особенно, если неподалёку от него находятся дети.
- Не просовывайте пальцы или посторонние предметы через воздуховыпускную решетку внутреннего и наружного блоков, так как это может привести к травме от вращающегося вентилятора.
- Не разрешайте детям самостоятельно включать кондиционер. Дети могут включать кондиционер только под присмотром взрослых.
- Не пытайтесь самостоятельно ремонтировать кондиционер. Внутренние и внешние агрегаты кондиционера находятся под напряжением, это опасно для жизни! Для ремонта изделия обращайтесь в авторизованный сервисный центр.
- Не используйте устройство, если оно неисправно, или если его уронили или повредили.
- Не открывайте лицевую панель устройства во время его работы.
- Не разбирайте и не модифицируйте устройство.
- Незамедлительно отключите кондиционер от электрической сети, если от него идут странные запахи или дым.
- Не брызгайте и не лейте воду и другие жидкости на кондиционер.
- Всегда отключайте кондиционер от электрической сети во время грозы.
- Всегда отключайте кондиционер от электрической сети, когда он не используется.
- Перед началом чистки и технического обслуживания, сборки и разборки кондиционера отключите его от электрической сети. Чистку и техническое обслуживание производите в соответствии с указаниями данного руководства по эксплуатации.
- Для обеспечения эффективной работы кондиционера эксплуатируйте его в температурно-влажностных условиях, указанных в данном руководстве по эксплуатации.
- Не используйте опасные химические вещества для чистки устройства и не допускайте их попадания на прибор.
- При снятии воздушного фильтра не касайтесь металлических частей устройства.
- Во избежание перегрева и риска возникновения пожара, а также повреждения внутренней электрической сети, не изменяйте длину сетевого шнура и не подключайте устройство через электрические удлинители.
- При повреждении шнура питания его замену, во избежание опасности, должны производить изготовитель, сервисная служба или подобный квалифицированный персонал.
- Во избежание опасности поражения электрическим током не размещайте шнур питания рядом с нагревательными приборами и легковоспламеняющимися или горючими веществами.
- Не запускайте и не останавливайте устройство посредством подключения или отключения электрического питания.
- Не нажимайте кнопки пульта дистанционного управления посторонними предметами

(только пальцами).

- Следите, чтобы шнур питания не касался острых кромок и горячих поверхностей.
- Если изделие некоторое время находилось при температуре ниже 0°C, перед включением его следует выдержать в комнатных условиях не менее 2 часов.
- Не используйте принадлежности, не входящие в комплект поставки.
- При отключении прибора от электросети не тяните за шнур питания, беритесь за вилку. Не перекручивайте и ни на что не наматывайте его. Электрические кондиционеры воздуха, сплит-системы, мощностью 7000, 9000, 12000, 18000 BTU оборудованы вилкой шнура питания, в сплит-системах мощностью 24000, 30000, 36000 BTU вилка шнура питания отсутствует.
- Прибор не предназначен для использования лицами (включая детей) с пониженными физическими, сенсорными или умственными способностями или при отсутствии у них жизненного опыта или знаний, если они не находятся под присмотром или не проинструктированы об использовании прибора лицом, ответственным за их безопасность. Дети должны находиться под присмотром для недопущения игр с прибором.

### 3. НАЗНАЧЕНИЕ ПРИБОРА

Электрический кондиционер воздуха предназначен для охлаждения, обогрева и осушения воздуха в бытовом помещении.

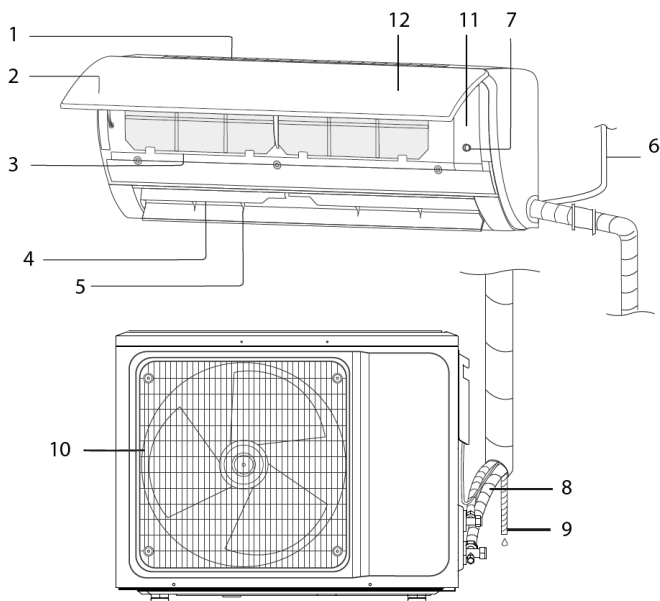
### 4. УСЛОВИЯ ЭКСПЛУАТАЦИИ

Кондиционер воздуха необходимо использовать в температурном диапазоне, указанном в таблице 1.

<b>Режим</b>	<b>Комнатная температура</b>	<b>Наружная температура</b>
Охлаждение	от 16 °С	до 48 °С
Обогрев	до 32 °С	от -10 °С до 32 °С

Таблица 1

## 5. ОПИСАНИЕ ПРИБОРА



**Рисунок 1\***

Кондиционер состоит из внутреннего и наружного блоков, соединенных трубопроводами. Управление кондиционером осуществляется с пульта дистанционного управления или с панели управления внутреннего блока.

1. Воздухозаборная решетка
2. Лицевая панель.
3. Воздушный фильтр.
4. / 5. Направляющие заслонки для раздачи обработанного воздуха.
6. Электропровод.
7. Аварийный выключатель.
8. Медная трубка газа (хладагента), соединительная магистраль\*\*.
9. Трубка для отвода конденсата\*\*.
10. Воздуховыпускная решетка наружного блока.
11. Кнопка включения (auto).
12. Скрытый дисплей

*\*внешний вид блоков кондиционера может иметь отличия от изображений в инструкции.*

*\*\* не входит в комплект поставки*

## 6. КОМПЛЕКТ ПОСТАВКИ

В комплектацию кондиционера воздуха (сплит-системы) входит:

Блок кондиционера для внутренней установки – 1 шт.

Блок кондиционера для наружной установки – 1 шт.

Пульт дистанционного управления – 1 шт.

Элементы питания для пульта ДУ (AAA) – 2 шт.

Руководство по эксплуатации – 1 шт.

Гарантийный талон – 1 шт.

Упаковка блока внутренней установки – 1 шт.

Упаковка блока наружной установки – 1 шт.

## 7. РАБОЧИЕ ХАРАКТЕРИСТИКИ

### Технические характеристики

Технические характеристики прибора приведены в таблице 2.

Таблица 2

Внутренний блок Внешний блок	Ед. изм	T-AC07- S28-Y T-AC07- S28-X	T-AC09- S28-Y T-AC09- S28-X	T-AC12- S28-Y T-AC12- S28-X	T-AC18- S28-Y T-AC18- S28-X	T-AC24- S28-Y T-AC24- S28-X
Выходная мощность (охлаждение)	BTU (Вт)	7319 (2145)	9042 (2650)	12556 (3680)	19792 (5792)	25494 (7472)
Выходная мощность (обогрев)	BTU (Вт)	7650 (2242)	9281 (2720)	12897 (3780)	20329 (5958)	26293 (7706)
Номинальная потребляемая мощность (охлаждение/обогрев)	Вт	650/610	825/748	1106/1011	1656/1509	2325/2211
Параметры электропитания	В/Гц	220- 240~/50	220- 240~/50	220- 240~/50	220- 240~/50	220- 240~/50
Номинальная сила тока (охлаждение/обогрев)	A/A	2.82/2.65	3.58/3.25	4.8/4.39	7.2/6.56	10.1/9.6
Расход воздуха (внутренний блок/ внешний блок)	м <sup>3</sup> /ч	420/850	450/1000	550/1550	800/2200	1050/2700
Уровень шума (внутренний блок)	дБ(А)	33/29/27/ 24	33/30/27/ 24	36/33/30/ 27	38/35/32/ 29	40/37/34/ 31
Уровень шума (внешний блок)	дБ(А)	48	50	52	54	55
Класс влагозащиты (внутренний блок/внешний блок)	-	IPX0/IPX4	IPX0/IPX4	IPX0/IPX4	IPX0/IPX4	IPX0/IPX4
Тип хладагента	-	R410A	R410A	R410A	R410A	R410A
Класс энергоэффективности (охлаждение/обогрев)	-	A/A	A/A	A/A	A/A	B/C
Индекс энергетической эффективности (охлаждение)	-	3,228	3,221	3,214	3,220	3,214
Класс электрозащиты (внутренний блок/внешний блок)	-	Class I/Class I	Class I/Class I	Class I/ Class I	Class I/ Class I	Class I/ Class I
Диаметр труб (жидкость/газ)	дюйм м	1/4 & 3/8	1/4 & 3/8	1/4 & 3/8	1/4 & 1/2	3/8 & 5/8
Максимальная длина трассы	м	10	10	12	15	18
Максимальный перепад	м	7	7	7	10	10

высот междублоками						
Диапазон рабочих температур (охлаждение)	°C	16~48	16~48	16~48	16~48	16~48
Диапазон рабочих температур (обогрев)	°C	-10~32	-10~32	-10~32	-10~32	-10~32
Заправочный вес хладагента	г	400	540	610	1000	1450
Расстояния между кронштейнами (внешний блок)	м	431*278	431*278	500*260	546*300	540*335
Площадь обслуживания кондиционера	м <sup>2</sup>	8-13	11-17	14-23	22-35	29-46
Потребление электроэнергии в режиме охлаждения	кВт*ч /год	343	420	593	923	1211
Рабочий режим (охлаждение/охлаждение+нагрев)	-	охлаждение+нагрев	охлаждение+нагрев	охлаждение+нагрев	охлаждение+нагрев	охлаждение+нагрев
Охлаждение (воздушное/водяное)	-	воздушное	воздушное	воздушное	воздушное	воздушное
Компрессор	-	Toshiba	Toshiba	Toshiba	Hitachi	Hitachi
Максимальное рабочее давление контура хладагента (разряжение\всасывание)	МПа	4.15/1.15	4.15/1.15	4.15/1.15	4.15/1.15	4.15/1.15
Вес нетто (внутренний блок)	кг	8	8,5	9	11	12
Вес нетто (внешний блок)	кг	20	21	25	37	39
Вес брутто (внутренний блок)	кг	9,5	10	10,5	13	14
Вес брутто (внешний блок)	кг	22	23	27,5	40	43
Размеры прибора (внутренний блок)	мм	690×283×199	690×283×199	750×285×200	900×310×225	900×310×225
Размеры прибора (внешний блок)	мм	665×420×280	665×420×280	660×500×240	800×545×315	825×655×310
Размеры в упаковке (внутренний блок)	мм	760×345×280	760×345×280	820×345×280	970×380×305	970×380×305
Размеры в упаковке (внешний блок)	мм	760×470×345	760×470×345	780×550×345	920×605×395	945×435×725

## 8. МОНТАЖ ПРИБОРА

### Важная информация:

- Перед установкой, перемещением и повторным монтажом, пожалуйста, обратитесь в авторизованный сервисный центр.
- Прибор должен быть установлен профессионалом, согласно данному руководству и в соответствии с национальными правилами монтажа электроустановок.

### Требования к пространству для установки:

При выборе пространства для установки:

- Избегайте мест возможной протечки газа. Не устанавливайте кондиционер рядом с приборами, работающими на газовом топливе и рядом с газопроводами.
- Избегайте мест с сильным электромагнитным излучением.
- Избегайте мест с высоким уровнем шума и/или вибрации.
- Избегайте мест с суровыми условиями окружающей среды: (сильная копоть, сильные ветра с песком, сильный прямой солнечный свет, источники тепла высокой температуры).
- Избегайте мест, где прибор будет доступен детям.

- Выберите место, в котором будут удобны сервисное обслуживание и ремонт, а также хорошая вентиляция.
- Установленный внешний блок не должен занимать пространство в таких местах как: коридоры, лестницы, выходы, пожарные выходы, или другие места публичного пользования.
- Внешний блок должен быть установлен как можно дальше от таких мест как: двери, окна соседей, а также как можно дальше от растений.

**Требования к монтажной конструкции:**

- Монтажная пластина, кронштейны крепления должны быть в соответствии с национальными и промышленными стандартами (прочность сварки и сопротивляемость ржавчине).
- Монтажная пластина, кронштейны крепления и их несущая поверхность должны выдерживать 4-х кратный вес установленного прибора.
- Монтажная пластина, кронштейны крепления должны быть закреплены дюбелями, анкерами.
- Убедитесь в безопасности установленной конструкции, независимо от вида стены, на которую она установлена, во избежание возможного обрушения, что может причинить серьезный вред здоровью.

**Требования к электробезопасности:**

- Используйте прибор в соответствии с параметрами электросети, указанными в данном руководстве. Диаметр электрического кабеля должен соответствовать национальным стандартам.
- Если номинальная сила тока прибора больше или равна 16А, необходимо использовать подключение к электросети с организацией индивидуальной линии и установить УЗО. Для магистрали используется кабель с сечением 1,5-2 мм<sup>2</sup> и автоматы отключения.
- Минимальное расстояние между прибором и горючими веществами должно быть не менее 1.5 метра.
- Соединительный кабель объединяет внутренний и внешний блоки прибора. Необходимо выбрать верный размер шнура перед установкой.
- Типы шнуров:

- Кабель для внутреннего блока - H05VV-F
- Соединительный кабель - H07RN-F или H05RN-F

- Минимальная площадь поперечного сечения для силового и соединительного кабеля:

Номинальная сила тока прибора (А)	Номинальная площадь поперечного сечения (мм <sup>2</sup> )
>3 и ≤6	0.75
>6 и ≤10	1.00
>10 и ≤16	1.50
>16 и ≤25	2.50



- Параметры соединительного кабеля, силового кабеля, УЗО, автоматов отключения должны выбираться в зависимости от максимальной силы тока прибора.
- Максимальная сила тока прибора указана на технической наклейке, расположенной на боковой стороне прибора.

#### **Требования к использованию прибора, установленному на больших высотах:**

- Если прибор устанавливается на высоту в 2 и более метра от базового уровня установки, на внешний блок прибора должны быть установлены ремни безопасности и тросы достаточной жесткости, для предотвращения падения прибора, что может привести как к тяжелым увечьям или смерти, так и к ущербу имущества.

#### **Требования к заземлению:**

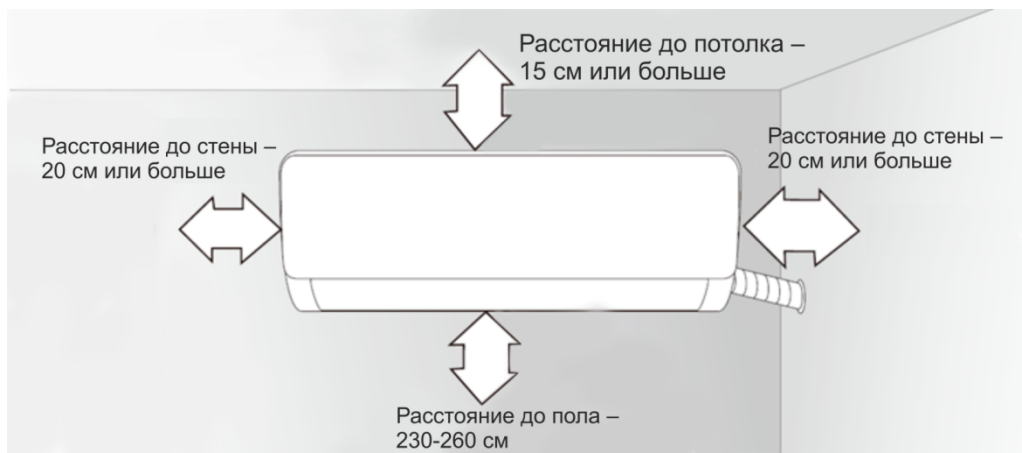
- Прибор с классом электрозащиты I, должен быть правильно заземлен.
- Не соединяйте провод заземления с газовой трубой, водопроводной трубой, молниеотводом, телефонным кабелем или с плохо заземленным заземляющим контуром.
- Провод заземления должен использоваться только в целях заземления. Запрещено закреплять провод заземления с помощью саморезов.

#### **Другие требования:**

- Модель и характеристики автомата отключения должны отвечать требованиям, нанесенным на соответствующий контроллер.

#### **УСТАНОВКА ВНУТРЕННЕГО БЛОКА**

##### **Расстояние до ближайших поверхностей**



**Рисунок 2**

## Монтажная пластина

Стена, на которой будет установлен внутренний блок, должна быть твердой. Вибрация в стене недопустима.

1. Используйте крестовые винты для закрепления пластины
2. Закрепите пластину на стене горизонтально.
3. Убедитесь, что продольная часть закреплена горизонтально, а короткие части вертикально (см. рис. 3)
4. Пошевелите пластину после установки, чтобы убедиться, что она установлена прочно.

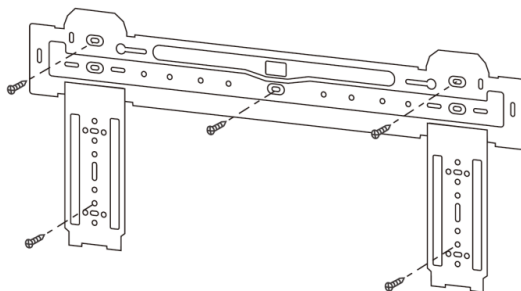


Рисунок 3

## Сквозное отверстие в стене

- Просверлите отверстие для монтажной трубы в стене в заранее намеченной позиции ударной дрелью или перфоратором. Наклон монтажной трубы должен быть примерно 5°-10° вниз наружу.
- Для защиты монтажной трубы и кабелей в отверстии в стене от грызунов, которые могут обитать в полых стенах, установите защитную крышку и закрепите ее с помощью шпатлевки (см. рис. 4)

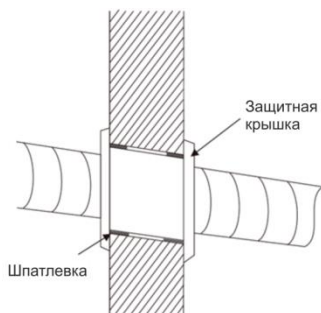


Рисунок 4

**Примечание:** Обычно, отверстие в стене должно быть диаметром 60-80 мм. Когда делаете отверстие в стене, внимательно следите за тем, чтобы не повредить другие провода, находящиеся внутри стены.

## Маршрут трубопровода

- В зависимости от расположения установленного прибора, трубопровод можно провести сбоку от него, слева или справа (см. рис. 5), или горизонтально от задней части прибора (см. рис. 6), в зависимости от длины трубопровода внутреннего блока. В случае боковой установки отрежьте выходной отрезной запас с противоположной стороны.
- Электрический кабель должен быть проведен отдельно от трубопровода. Оставьте необходимую длину кабеля и проведите его через отверстие в стене.

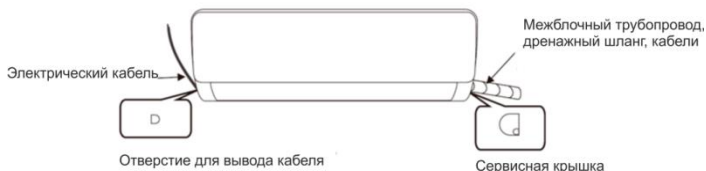


Рисунок 5



Рисунок 6

### Соединение трубопроводов

1. Отсоедините крепления и вытащите дренажную трубку внутреннего блока из корпуса.
2. Подсоедините межблочный трубопровод к внутреннему блоку: затяните коническую гайку вручную, затем затяните ее гаечным ключом, как показано на рисунке (см. рис. 7).

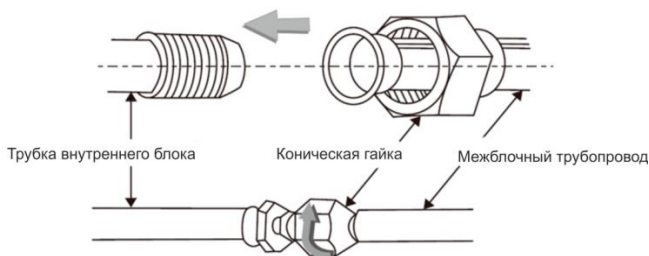


Рисунок 7

### Соединение дренажной трубки

1. На выход внутреннего блока (пластиковую трубку с наконечником) натягивается гофра.
2. Соединение фиксируется хомутом.
3. Дренажный шланг должен прокладываться с уклоном в сторону выхода воды. Дренажный шланг не должен иметь перегибов, скручиваний, загибов и т.п. Конец дренажного шланга не должен быть опущен в воду

### Оплетка трубопровода

1. Используйте армированный скотч для обмотки соединений внутреннего блока и межблочного трубопровода, а затем используйте изоляционный материал для герметизации, во избежание образования конденсата в соединительных частях.
2. Соедините выпускной патрубок с дренажными трубами и выровняйте межблочный трубопровод, кабели и сливной шланг прямо.
3. Используйте стяжки, чтобы обернуть соединительные трубки, кабели и сливной шланг. Запустите трубку под уклоном вниз.



Рисунок 8

### Закрепление внутреннего блока

1. Повесьте внутренний блок на монтажную пластину, затем двигайте блок слева направо. Убедитесь, что крюк занял правильное положение на монтажной пластине.
2. Надавливайте на прибор в левой нижней части и верхней правой части в направлении монтажной пластины, до того момента как крюк встроится на место и издаст щелчок.

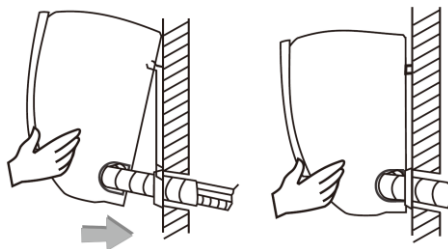


Рисунок 9

## Подключение соединительного кабеля

1. Откройте панель, снимите винт с сервисной крышки, удалите ее.
2. Проведите соединительный шнур через отверстие для кабеля на задней части внутреннего блока и затем вытащите его с противоположной стороны.
3. Снимите скобу крепления электропроводки; подсоедините соединительный шнур согласно принципиальной электрической схеме; затяните винт и зафиксируйте соединительный шнур скобой крепления электропроводки.
4. Установите крышку на место и затяните винт
5. Закройте панель

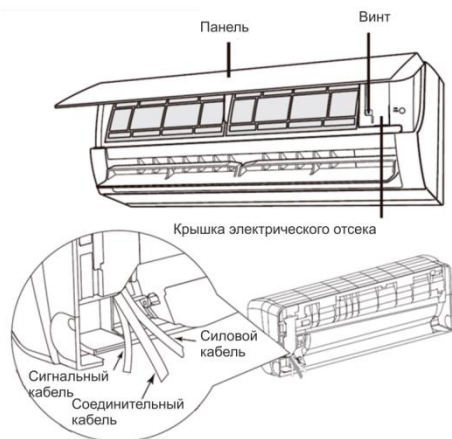


Рисунок 10

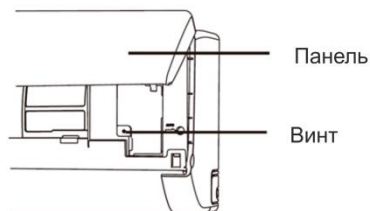


Рисунок 11

## УСТАНОВКА ВНЕШНЕГО БЛОКА

### Расстояния до ближайших поверхностей

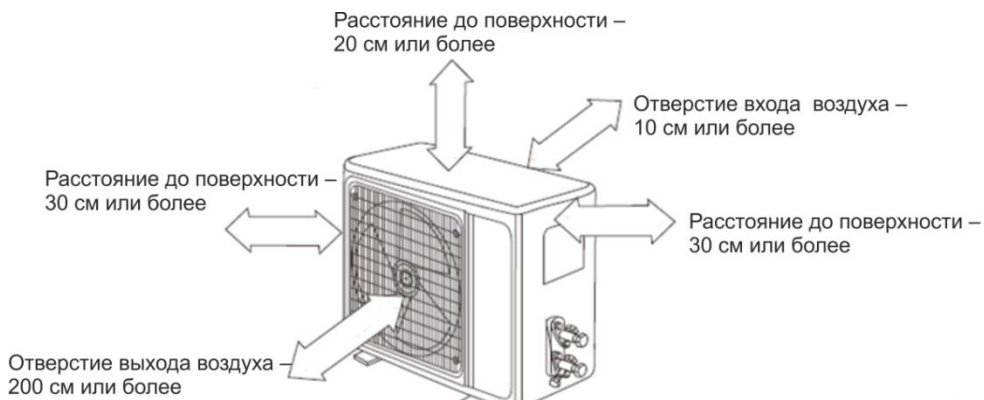


Рисунок 12

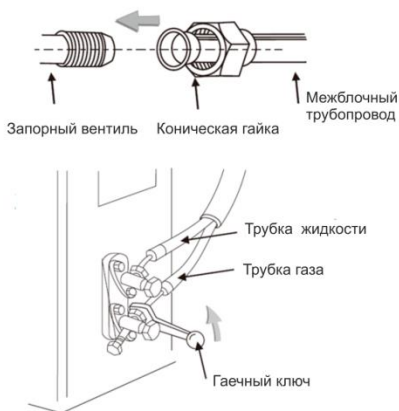
## Установка межблочного трубопровода

Соедините трубки с запорным вентилем и затяните коническую гайку пальцами. Затем затяните коническую гайку гаечным ключом.

При увеличении длины трубопровода необходимо добавить дополнительное количество хладагента, чтобы не ухудшить работу кондиционера.

Длина трубопровода	Количество хладагента, которое необходимо добавить	
≤5 метров	Не требуется добавление	
5-15 метров	Мощность ≤12000 BTU	20 грамм/метр
	Мощность ≥18000 BTU	30 грамм/метр

**Примечание:** данная таблица приведена для справки



**Рисунок 13**

## Соединение проводов

1. Ослабьте винты и удалите крышку электрического отсека с прибора.
2. Подключите кабели к соответствующим клеммам клеммной колодки наружного блока (см. принципиальную электрическую схему), и, если есть сигналы, подключенные к штекеру, проведите стыковое соединение.
3. Заземляющий провод: выньте заземляющий винт из электрического кронштейна, насадите конец заземляющего провода на заземляющий винт и вверните его в отверстие для заземления.
4. Надежно закрепите кабель с помощью крепежа.
5. Поставьте крышку электрического отсека на место и закрепите ее винтами

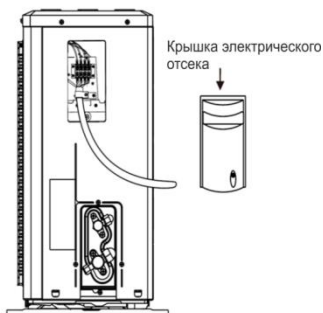


Рисунок 14

### Вакуумирование холодильного контура

Метод выгрузки хладагента из внешнего блока:

После завершения бокового подсоединения трубы, выполните следующие действия



Рисунок 15

### Вакуумирование холодильного контура (обязательно для хладагента R410A)

Перед работой с кондиционером, снимите крышку запорного вентиля (газовый и жидкостный вентили). Не забудьте затянуть крышку, после завершения работы, во избежание возможной утечки воздуха.

1. Во избежание утечки воздуха, затяните соединительные гайки всех конусных труб
2. Соедините запорный вентиль, заправочный шланг, коллекторный клапан и вакуумный насос
3. Полностью откройте вентиль LO коллекторного клапана и создайте вакуум на минимум 15 минут, затем убедитесь, что составной вакуумметр показывает  $-0.1\text{МПа}$  ( $-76\text{смHg}$ )
4. После образования вакуума, полностью откройте запорный вентиль шестигранным ключом
5. Убедитесь, что отсутствует утечка воздуха во всех соединениях внутреннего и внешнего блоков.

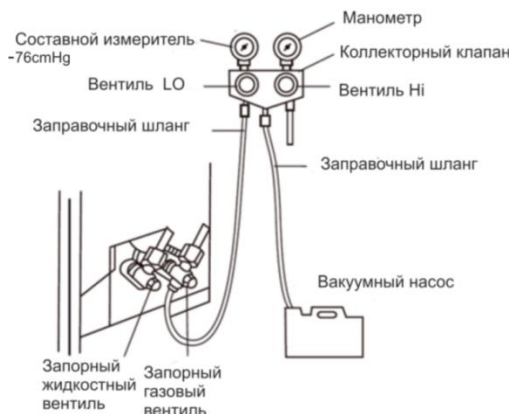


Рисунок 16

## 9. УПРАВЛЕНИЕ ПРИБОРОМ

Управление кондиционером осуществляется с пульта дистанционного управления или с панели управления внутреннего блока.

### Описание панели управления внутреннего блока

Если пульт дистанционного управления утерян или его нельзя использовать в данный момент, вы можете использовать кнопку управления кондиционером «on/off», которая находится за передней открывающейся панелью. Для этого, осторожно откройте переднюю панель, аккуратно потянув её на себя слева и справа.

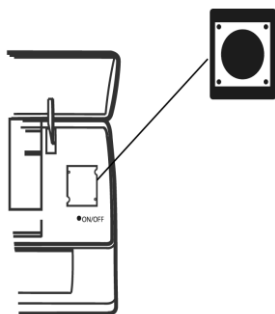
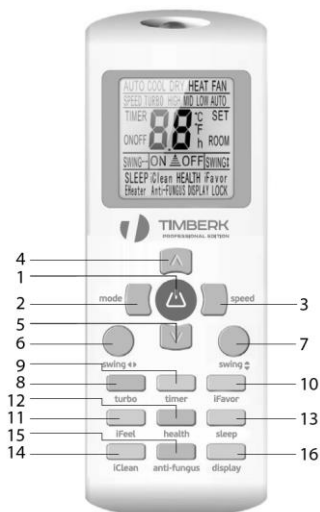


Рисунок 17

Ваш прибор обладает возможностью для подключения дополнительного блока управления кондиционером с помощью Wi-Fi. Управление по Wi-Fi работает только после подключения дополнительного блока (приобретается отдельно). Подробная инструкция по установке блока в кондиционер и по настройке программного обеспечения, находится в инструкции к блоку Wi-Fi.



## Пульт дистанционного управления\*



**Рисунок 18**

\*Внешний вид пульта дистанционного управления, а также кнопки и индикаторы могут иметь отличия от изображения в инструкции, но их функции идентичны

**1. Power (Питание).** Включает/выключает кондиционер.

**2. MODE (Режим).** Выбор режима работы: АВТО (AUTO) — ОХЛАЖДЕНИЕ (COOL) — ОСУШЕНИЕ (DRY) — НАГРЕВ (HEAT) — ВЕНТИЛЯЦИЯ (FAN).

**3. SPEED (Скорость).** Выбор скорости вращения вентилятора в соответствии со схемой: НИЗКАЯ (LOW) — СРЕДНЯЯ (MID) — ВЫСОКАЯ (HIGH) — АВТО.

**Примечание:** АВТО скорость воздуха недоступна в режиме вентиляции.

**4, 5. Кнопки вверх, вниз соответственно.** При нажатии кнопки «вверх» (4) температура повысится на 1°C, при нажатии кнопки «вниз» (5) температура понизится на 1°C. Диапазон настроек температуры – от 16 °C (60 °F) до 32 °C (90 °F).

**6. SWING (Режим поворота по горизонтали)**

Управление направлением воздушного потока по горизонтали. Нажмите данную кнопку для поворота жалюзи влево/вправо.

**7. SWING (Режим поворота по вертикали).**

Управление направлением воздушного потока по вертикали. Нажмите данную кнопку для поворота жалюзи вверх/вниз.

**8. TURBO (Турбо режим).** Автоматически включается режим максимального охлаждения (в режиме охлаждения) или максимального обогрева (в режиме обогрева).

**9. TIMER (Таймер).** Позволяет установить время включения/отключения кондиционера по таймеру.

**10. Функция iFAVOR.** При нажатии возвращает устройство к предыдущим персональным настройкам пользователя (в данной модели функция не предусмотрена).

**11. Функция iFeel.** Нажатие данной кнопки включает изменение температуры на пульте управления и позволяет настроить комфортную температуру. Таким образом, датчик пульта замеряет температуру и передаёт данные во внутренний блок, т.е. заданная температура поддерживается рядом с пультом, а не рядом с внутренним блоком. Повторное нажатие сохраняет заданные параметры.

**12. Функция HEALTH.** Нажмите данную кнопку с ВКЛ устройством, которая активирует функцию ионизации (в данной модели функция не предусмотрена).

**13. SLEEP (Режим сна).** При нажатии, температура снижается на 2 градуса и поддерживается в течение 10 часов. По истечении этого времени кондиционер автоматически возвращается к обычному режиму работы. Также снижается скорость вращения вентилятора внутреннего блока, и соответственно уровень шума.

**14. Функция iCLEAN.** Нажмите данную кнопку, когда устройство ВЫКЛ, пульт дистанционного управления будет отображать "CL" и кондиционер запустит функцию очистки. Функция даёт возможность профилактики появления плесени и неприятного запаха путём удаления влаги с испарителя (с помощью нагрева, продувки и просушки), что повышает эффективность охлаждения и обогрева. Режим «iCLEAN» работает примерно в течение 30 минут.

**15. Функция ANTI-FUNGUS.** При нажатии данной кнопки активируется режим автоматической просушки внутреннего блока.

**16. DISPLAY (Экран).** Нажмите данную кнопку для включения/выключения дисплея.

### **Работа с пультом дистанционного управления**

Установка и замена элементов питания: установить два элемента питания типа AAA, согласно указанной полярности на пульте дистанционного управления. Во избежание нарушений работы пульта дистанционного управления не вставляйте в него использованные элементы питания или элементы питания разных типов.

Если кондиционер не эксплуатируется в течение длительного времени, извлеките батарейки из пульта дистанционного управления. Иначе электролит может потечь и повредить пульт. При нормальной эксплуатации кондиционера средний срок службы элементов питания составляет полгода. Не выбрасывайте батарейки в обычные мусорные баки, их следует выбрасывать в специальные баки в пунктах приема мусора

Заменяйте элементы питания, если прием команды не подтверждается звуковым

сигналом, или на дисплее исчез значок передачи команд. Подавая команды с пульта дистанционного управления, направляйте ИК-излучатель на приемник сигналов ДУ, расположенный на внутреннем блоке. Держите пульт дистанционного управления на расстоянии не более 8 м от внутреннего блока. Пульт дистанционного управления не будет работать, если между ним и внутренним блоком расположены шторы, двери или другие предметы. Не допускайте попадания на пульт дистанционного управления воды и не подвергайте его воздействию прямых солнечных лучей и источников тепла, направляйте ИК-излучатель на приемник сигналов ДУ, расположенный на внутреннем блоке.

## 10. РЕЖИМЫ РАБОТЫ

### АВТОМАТИЧЕСКИЙ РЕЖИМ РАБОТЫ

1. Нажмите кнопку «MODE», выберите автоматический режим работы.
2. При помощи нажатия кнопки «SPEED» вы можете выбрать скорость вращения вентилятора – Низк., Сред., Выс., Авто.
3. Нажмите кнопку «ON/OFF», кондиционер начнет работать.
4. Нажмите кнопку «ON/OFF» заново и кондиционер прекратит работу.

### РЕЖИМ РАБОТЫ В РЕЖИМЕ ОХЛАЖДЕНИЯ/ОБОГРЕВА

1. Нажмите кнопку «MODE», выберите режим работы охлаждения или обогрева.
2. При помощи нажатия кнопок « $\wedge$ », « $\vee$ » вы можете выбрать температуру от 16 °С до 32 °С, отображение будет изменяться в соответствии с нажатием кнопки.
3. При помощи нажатия кнопки «SPEED» вы можете выбрать скорость вращения вентилятора – Низк., Сред., Выс., Авто.
4. Нажмите кнопку «ON/OFF», кондиционер начнет работать.
5. Нажмите кнопку «ON/OFF» заново и кондиционер прекратит работу.

**Примечание:** в режиме вентилятора нет функции обогрева и охлаждения.

### РЕЖИМ РАБОТЫ ВЕНТИЛЯТОРА

1. Нажмите на кнопку «MODE» для выбора режима работы вентилятора.
2. При помощи нажатия кнопки «SPEED» вы можете выбрать скорость вращения вентилятора – Низк., Сред., Выс., Авто.
3. Нажмите кнопку «ON/OFF» кондиционер начнет работать.
4. Нажмите кнопку «ON/OFF» заново, кондиционер прекратит работу.

**Примечание:** в режиме вентилятора температура не настраивается.

### РЕЖИМ ОСУШЕНИЯ

1. Нажмите кнопку «MODE», выберите режим осушения.
2. Нажмите кнопку «ON/OFF», кондиционер начнет работать.
3. Нажмите кнопку «ON/OFF» заново, кондиционер прекратит работу.

## **ФУНКЦИЯ ПОДСВЕТКИ (только для пультов управления с такой функцией)**

Пульт управления имеет подсветку, которая включается автоматически при нажатии любой кнопки для удобства работы в темноте. Подсветка автоматически отключается, если пультом не пользуются более 10 секунд.

## **11. УХОД И ОБСЛУЖИВАНИЕ**

Перед тем, как приступить к чистке, отключите кондиционер от электросети.

### **Чистка внутреннего блока и пульта дистанционного управления**

- Чистку внутреннего блока и пульта дистанционного управления выполняйте сухой мягкой тканью.
- Если внутренний блок слишком загрязнен, смочите ткань холодной водой.
- Во избежание повреждения краски или деталей кондиционера не пользуйтесь для чистки щетками и не оставляйте их на поверхности внутреннего блока.
- Во избежание повреждения поверхности или деформации деталей кондиционера не пользуйтесь для чистки бензином, растворителями, чистящими порошками или другими химически активными веществами.

### **Перед длительным перерывом в работе кондиционера**

- Включите кондиционер на несколько часов в режиме вентилятора. Это позволит полностью просушить его внутренние полости.
- Отключите кондиционер от электросети.
- Извлеките из пульта дистанционного управления элементы питания.

### **Предпусковые проверки**

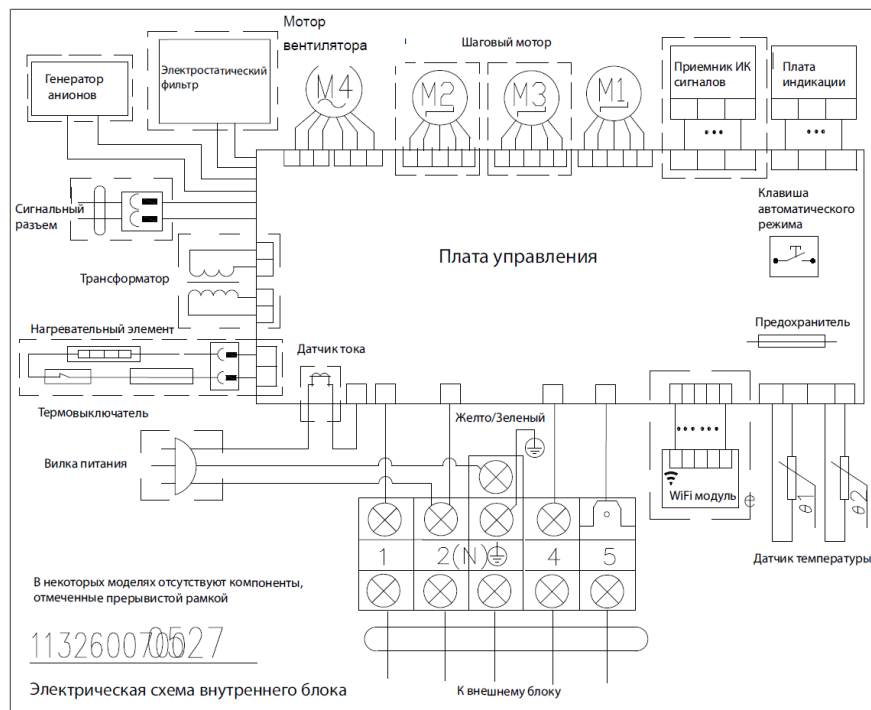
- Убедитесь, что воздушный фильтр установлен.
- Убедитесь, что воздухозаборная и воздуховыпускная решетки наружного блока не загорожены посторонними предметами.

### **Чистка воздушного фильтра**

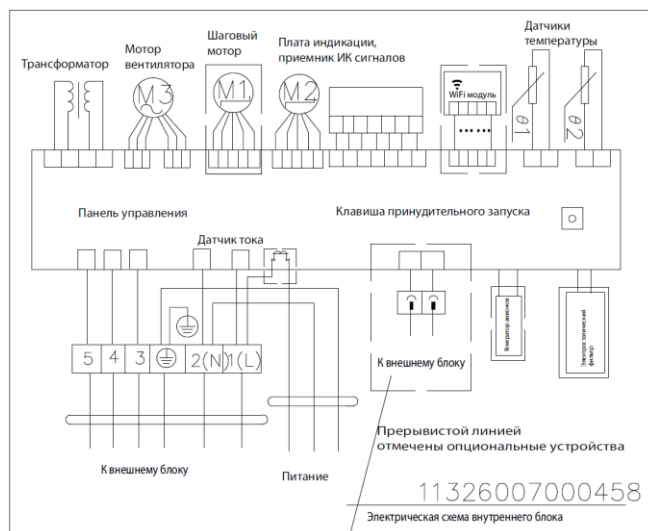
- Воздушный фильтр очищает воздух, поступающий в кондиционер, от пыли и посторонних частиц. При загрязнении фильтра производительность кондиционера резко снижается.
- При постоянной эксплуатации кондиционера фильтр следует чистить каждые две недели.
- Если кондиционер установлен в помещении с запыленной атмосферой, то воздушный фильтр следует чистить чаще.
- Для извлечения фильтра откройте панель внутреннего блока.
- Извлеките воздушные фильтры. Очистите фильтр пылесосом или в чистой воде. Если фильтр сильно загрязнен, почистите его мягкой щеткой и промойте в слабом моющем растворе, затем просушите.
- При чистке фильтра пылесосом держите его загрязненной поверхностью вверх. При промывании фильтра в воде держите его загрязненной поверхностью вниз.
- Не сушите фильтр на солнце или вблизи огня.
- Установите воздушный фильтр в исходное положение и закройте панель.

## 12. ПРИНЦИПИАЛЬНЫЕ ЭЛЕКТРИЧЕСКИЕ СХЕМЫ

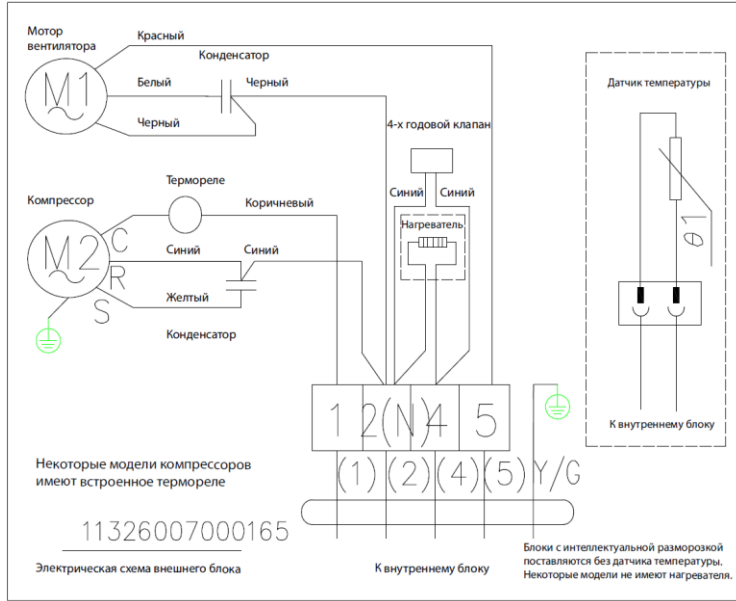
T-AC07-S28-Y, T-AC09-S28-Y, T-AC12-S28-Y, T-AC18-S28-Y



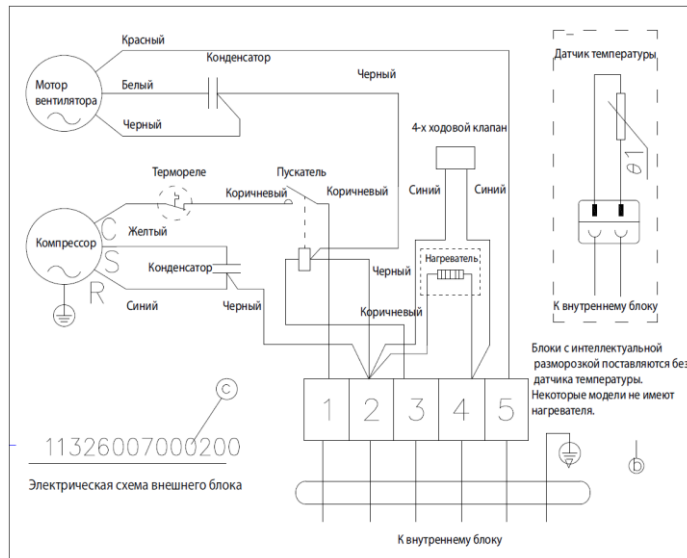
T-AC24-S28-Y



T-AC07-S28-X, T-AC09-S28-X, T-AC12-S28-X, T-AC18-S28-X



T-AC24-S28-X



### 13. УСТРАНЕНИЕ НЕИСПРАВНОСТЕЙ

В случае возникновения аварийных ситуаций обратитесь к способам устранения неисправностей, указанных в таблице. В случае невозможности решения проблем указанными способами обратитесь в сервисный центр.

Неисправность	Возможная причина	Действия
Прибор не работает	Отключение электропитания \ вилка не включена в розетку*	Подождать, пока восстановится электропитание\вставить электрическую вилку в розетку*
	Повреждение вентилятора внешнего или внутреннего блока	Обратиться к специалисту по ремонту в авторизованный сервисный центр.
	Повреждение терромагнитного прерывателя цепи компрессора	Обратиться к специалисту по ремонту в авторизованный сервисный центр.
	Поврежден предохранитель или плавкий предохранитель	Обратиться к специалисту по ремонту в авторизованный сервисный центр.
	Повреждены контакты или вилка не включена в розетку	Обратиться к специалисту по ремонту в авторизованный сервисный центр\ вставьте электрическую вилку в розетку*
	Иногда работа останавливается для предохранения прибора	Немного подождать
	Напряжение в сети выше или ниже допустимого для прибора	Перед использованием прибора, проверить, соответствуют ли технические характеристики, указанные на изделии параметрам электросети
	Активна функция включения таймера	Подождать, пока кондиционер включится по таймеру или отмените настройку таймера
	Поврежден щит электронного управления	Обратиться к специалисту по ремонту в авторизованный сервисный центр.

	Элементы питания пульта дистанционного управления сели	Заменить элементы питания пульта дистанционного управления
	Температура помещения слишком низкая или слишком высокая	Использовать прибор в диапазоне рабочих температур установленным производителем (см. таблица технических характеристик)
Странный запах	Загрязненный фильтр	Очистить воздушный фильтр
Шум текущей воды	Звук текущей охлаждающей жидкости	Не является неисправностью
Из воздуховыпускного отверстия идет туман	Это происходит, если в комнате становится очень холодно, например, в режимах «Охлаждение» и «Осушение»	Не является неисправностью
Странный звук	Звук возникает из-за расширения и сжатия передней решетки от смены температур и не свидетельствует о наличии проблемы	Не является неисправностью
Недостаточный поток теплого или холодного воздуха	Неподходящая настройка температуры	Задать правильную температуру воздуха
	Отверстия входа или выхода воздуха заслонены чем либо	Удалить посторонние предметы
	Грязный воздушный фильтр	Очистить воздушный фильтр
	Вентилятор настроен на минимальную скорость	Увеличить скорость
	Другие источники тепла в помещении	Устранить источники тепла из помещения
	Нет хладагента	Обратиться к специалисту по ремонту в авторизованный сервисный центр.
	Для данного помещения выбран кондиционер низкой мощности	Использовать прибор в помещении площадью рекомендованной производителем (см. таблицу технических характеристик).
	В помещении сильный	Задернуть шторы



	солнечный свет	
	Открыты окна и/или двери	Закрыть окна и/или двери
Прибор не реагирует на команды	Пульт дистанционного управления находится на слишком большом расстоянии от внутреннего блока	Пользуйтесь пультом дистанционного управления, находясь в непосредственной близости с прибором, направляя его непосредственно на прибор
	Элементы питания пульта дистанционного управления сели	Заменить элементы питания пульта дистанционного управления
	Между пультом дистанционного управления и внутренним блоком находятся препятствия	Пользуйтесь пультом дистанционного управления, находясь в непосредственной близости с прибором, направляя его непосредственно на прибор
Дисплей выключен	Функция "LIGHT" (свет) активна	Отключите данную функцию (опция)
	Отключение электропитания	Подождать, пока восстановится электропитание

**Немедленно выключите кондиционер и отсоедините шнур от сети, если:**

Работающий прибор издает странные звуки
Поврежден щит электронного управления
Повреждены плавкие предохранители или выключатели
В прибор попала вода или какие-либо предметы
Кабели или розетка перегрелись
От прибора исходит сильный запах

*\*Электрические кондиционеры воздуха, сплит-системы, мощностью 7000, 9000, 12000, 18000 BTU оборудованы вилкой шнура питания, в сплит-системах мощностью 24000, 30000, 36000 BTU вилка шнура питания отсутствует.*

#### 14. УТИЛИЗАЦИЯ, СРОК СЛУЖБЫ, ГАРАНТИЙНЫЙ СРОК



По окончании срока службы прибора следует провести его утилизацию в соответствии с нормами, правилами и способами, действующими в месте утилизации. Подробную информацию по утилизации прибора Вы можете получить у представителя местного органа власти, предоставив ему полную информацию о приборе. Изготовитель и уполномоченное им лицо не несут ответственности за исполнение Покупателем требований законодательства по утилизации и способы утилизации прибора, выбранные

Покупателем. Срок службы прибора указан в гарантийном талоне. Гарантийный срок на прибор, условия гарантии и гарантийного срока указаны в гарантийном талоне. Гарантийный талон является неотъемлемой частью товаросопроводительной документации, входящей в комплект поставки данного прибора. При отсутствии гарантийного талона в комплекте поставки, требуйте его у Продавца. Гарантийный талон, предоставляемый Продавцом должен соответствовать установленной Изготовителем форме. Изготовитель и уполномоченное лицо изготовителя снимают с себя любую ответственность за возможный вред, прямо или косвенно нанесенный данным прибором людям, животным, имуществу в случае, если это произошло в результате несоблюдения правил и условий эксплуатации, установки прибора, умышленных или неосторожных действий потребителя и/или третьих лиц, а также в случае ситуаций, вызванных природными и/или антропогенными форс-мажорными явлениями.

## 15. ТРАНСПОРТИРОВКА И ХРАНЕНИЕ

При транспортировке должны быть исключены любые возможные удары и перемещения упаковки внутри транспортного средства.

При транспортировке и хранении должны строго соблюдаться требования манипуляционных знаков на упаковке прибора.

Температурные требования	Транспортировка и хранение	От -30°C до +50°C
Требования к влажности		От 15% до 85% (нет конденсата)

Продукция должна храниться в сухих, проветриваемых складских помещениях при температуре не ниже +5°C. Мы изучаем новые технологии и постоянно улучшаем качество нашей продукции. Технические характеристики, конструкция и комплектация могут быть изменены без предварительного уведомления.



РУКОВОДСТВО ПО ЭКСПЛУАТАЦИИ



[www.timberk.com](http://www.timberk.com)