

# TESY

## It's impressive

<b>EN</b>	<b>ELECTRIC PANEL HEATER 2-4</b> Operation and Storage Manual of Panel Heater Equipped with MICA Heating Element
<b>BG</b>	<b>ЕЛЕКТРИЧЕСКИ КОНВЕКТОР 5-7</b> Инструкция за експлоатация и съхранение на панелен конвектор с MICA нагревател
<b>RO</b>	<b>CONVECTOR ELECTRIC 8-10</b> Instrucțiuni de utilizare și depozitare a convectorului de panou cu încălzitor MICA
<b>HR</b>	<b>ELEKTRIČNI KONVEKTOR 11-13</b> Upute za rukovanje i skladištenje panelnog konvektora sa MICA grijačem
<b>GR</b>	<b>ΗΛΕΚΤΡΙΚΟΣ ΘΕΡΜΟΠΟΜΠΟΣ / CONVECTOR 14-16</b> Εγχειρίδιο εγκατάστασης και αποθήκευσης πάνελ - θερμοπομπού με θερμικό στοιχείο από υλικό MICA
<b>ES</b>	<b>CALENTADOR DE CONVECCIÓN 17-19</b> Instrucciones de uso y mantenimiento de calentador de convección panel con resistencia calentadora tipo MICA
<b>PT</b>	<b>AQUECEDOR ELÉTRICO 20-22</b> Manual do utilizador e instruções de armazenamento do painel aquecedor
<b>RU</b>	<b>ЭЛЕКТРИЧЕСКИЙ КОНВЕКТОР 23-25</b> Инструкция по эксплуатации и сохранение панельного конвектора с MICA нагревателем
<b>LT</b>	<b>ELEKTRINIS KONVEKTORIUS 26-28</b> Panelinio konvektoriaus su MICA šildytuvu eksploatavimo ir saugojimo instrukcija
<b>LV</b>	<b>ELEKTRISKAIS KONVEKTORS 29-31</b> Eksploatacija un uzglabāšana instrukcija paneļa konvektoram ar sildelementu MICA
<b>PL</b>	<b>KONWEKTOR ELEKTRYCZNY 32-35</b> Instrukcja użytkowania i przechowywania konwektora panelowego z nagrzewnicą MICA
<b>RS</b>	<b>ЕЛЕКТРИЧНИ КОНВЕКТОР 36-38</b> Упутства за употребу и складиштење панелног конвектора са MICA грејачем
<b>UA</b>	<b>ЕЛЕКТРИЧНИЙ КОНВЕКТОР 39-41</b> Інструкція з експлуатації та зберігання панельного конвектора з обігрівачем MICA
<b>EE</b>	<b>ELEKTRILINE KONVEKTOR 42-44</b> Paneelkonvektori MICA kuumutiga kasutus- ja hoidmisjuhend
<b>MK</b>	<b>ЕЛЕКТРИЧНИ КОНВЕКТОР 45-47</b> Упатство за употреба и складирање на панелен конвектор со MICA грејач



**MC 2013**

220-240V~ 50Hz 1000/2000W

**EN** This product is only suitable for well insulated spaces or occasional use. | **BG** Този продукт е подходящ само за надеждно изолирани помещения или нередовна употреба. | **RO** Acest produs este potrivit numai pentru încăperi izolate în mod corespunzător sau de uz neregulat. | **HR** Ovaj proizvod je prikladan samo za pouzdano izolirane sobe ili povremenu upotrebu. | **GR** Αυτό το προϊόν είναι κατάλληλο μόνο για αξιόπιστα μονωμένα δωμάτια ή χρησιμοποιείται για «συντροφιά». | **UA** Цей прилад призначається для опалення добре ізольованих приміщень або для нерегулярного використання. | **RU** Этот продукт подходящий только для изолированных комнат или нерегулярного использования. | **LT** Šis produktas tinka tik patikimai izoliuotoms patalpoms arba nereguliariam naudojimui. | **LV** Šis produkts ir paredzēts tikai droši izolētām telpām vai neregulārai lietošanai. | **ES** Este producto sólo es adecuado para habitaciones que estén bien aisladas o para uso irregular. | **PT** Este produto é adequado somente para compartimentos com isolamento e/ou para uso não frequente. | **EE** Toode on sobiv üksnes õigesti isoleeritud ruumide jaoks või ebaregulaarseks kasutamiseks. | **RS** Овај производ је прикладан само за поуздано изоловане собе или повремену употребу. | **MK** Овој производ е наменет само за сигурно изолирани простории или нередовна употреба. | **PL** Produkt ten nadaje się do użycia tylko w należycie izolowanym pomieszczeniu oraz jedynie dla niecodziennego wykorzystania.



*Please read this manual before operating the appliance and keep it at a safe place for future reference. In case the appliance is obtained by a new owner, it should be transferred together with its manual.*

Thank you for choosing panel heater – MC 2013. This is a product providing heating in winter depending on the consumers' needs for comfortable room temperature. If

operated and taken care of properly in accordance with these instructions, the appliance will provide you with many years of useful operation.

#### **IMPORTANT SAFETY MEASURES AND PRECAUTIONS:**

- Before operating the appliance – check if the voltage indicated on the appliance technical plate corresponds to the voltage of the electricity, supplied to your place.



*Children under 3 years of age should be kept away from the appliance unless they are under constant supervision.*

*Children from 3 to 8 years of age are allowed to operate the on/off button ONLY, provided that the appliance is installed and ready for operation and such children have been supervised and instructed in safe operation of the appliance and they understand all related risks.*

*Children from 3 to 8 years of age MUST NOT: connect the plug to power sockets, make adjustments, clean it or carry out user maintenance operations.*

*This appliance can be used by children older than 8 years of age and by people with reduced physical, sensor and mental capabilities, as well as by people with insufficient experience and knowledge provided they are supervised or instructed in safe operation of the appliance and understand the related risks. Children should not be allowed to play with the appliance. Cleaning and user maintenance operations must not be carried out by children without supervision.*



*Some of the appliance parts may get very hot during operation and thus cause burns to users. In case there are children and vulnerable people in the room, special attention should be paid.*

- This appliance must be used only for the operations it has been designed and intended for, i.e. heating of domestic premises. This appliance is not intended for commercial application. Every kind of different application is considered improper and consequently dangerous. The manufacturer does not bear responsibility for malfunctions resulting from improper and irrational operation. Non-adherence to these safety instructions will render the guarantee terms invalid!
- DO NOT leave your place while the appliance is operating: ensure that the power switch knob is switched to OFF position. Always disconnect the power plug from the socket.
- Keep inflammable objects, such as furniture, pillows, bedding, paper, clothes, curtains, etc. at a distance of at least 100 cm away of the panel heater.
- Do not operate the appliance in areas of use or storage of combustible substances. Do not operate the appliance in areas of combustible media (for example in close proximity to inflammable gases or aerosols) – there is great risk of explosion and fire!
- Do not insert and do not allow foreign objects to enter the ventilation openings (inlet and outlet) because this will cause electric shock, fire or will damage the panel heater.
- This appliance is not suitable for animal breeding and it is intended for domestic use only!
- Keep the air inlet and outlet clear of any objects: unobstructed distance of at least 1 metre in front and 1 metre behind the panel heater should be provided.
- The most common cause of overheating is fluff and dust deposits in the appliance. Clean the ventilation openings regularly with a vacuum cleaner. Before

that disconnect the power plug from the socket.

- Never touch the appliance with damp or wet hands – there is danger for your life!
- The power socket must be easily accessible all the time in case the power plug has to be disconnected as fast as possible! Never pull the power cord or the appliance itself in order to disconnect it from the mains.
- **ATTENTION!** Outgoing air gets hot during operation (up to more than 100°C).
- If the power cord of this appliance gets damaged, stop its operation and call its supplier/retailer for advice about repair in local service centre.
- Do not cover the appliance. If the appliance gets covered, there is risk of overheating.
- If the appliance is damaged or does not work properly, stop it and do not repair it yourself. For any kind of repairs call for assistance an after-sale service centre. This is the place where you will have your broken part replaced with an original one. Non-adherence to this instruction will compromise the appliance safety.
- If you decide to stop using such kind of appliance, it is advisable to render it unusable by cutting its power cord after disconnecting it from the mains. It is advisable all possible risks related to the appliance to be secured, especially in relation to children that may play with out-of-use appliances.
- Never keep the appliance unnecessarily switched on. Disconnect it from the power socket when you do not intend to use it for a long period of time.
- The appliance should not be positioned right under a power socket!
- **Warning:** Do not use this appliance with a programming device, counter or any other device which can automatically switch it on because if the appliance is covered or improperly positioned this may cause fire.
- Position the power cord in such a way that it does not obstruct the free movement of people and cannot be stepped on! Use only approved extension cords which are suitable for this appliance, i.e. have got a conformity sign!
- Never move the appliance by pulling its power cord and do not use the power cord for carrying objects!
- Do not bend the power cord and do not stretch it over sharp edges, do not position it over hot plates or open flames!
- Never use this appliance in close proximity to wet premises – bathroom, a shower cabin or a swimming pool!

### PACKING

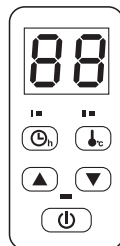
- After unpacking the appliance, check if all its elements are included in the packing and that it has not been damaged during transportation! In case damage or incomplete delivery is found, contact your authorized retailer!
- Do not throw away the original packing! It could be used for storage and transportation purposes in order to avoid damages during transportation!
- Disposal of packing materials should be done in

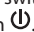
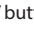

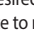
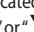
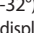
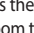
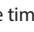
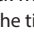
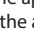
the appropriate way! Children should be prevented from playing with polyethylene bags!

### INSTALLATION AND OPERATIONS INSTRUCTIONS

Before operating your panel heater:

- Set the panel heater into correct working position before connecting it to the electric system;
- Select a suitable place for your panel heater, keeping in mind the safety precautions;
- The appliance has got two power modes: „I” stands for 1000W, „II” stands for 2000W. The total maximum power when both power modes are on is 2000W



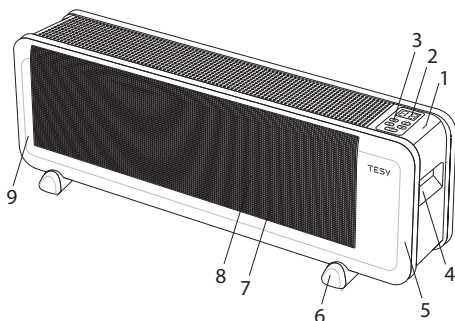
- The appliance is equipped with an electronic regulator. In order to switch on the appliance, push the switch-on button . After switching-on the panel heater, an indication lamp will flash on – the panel heater operates at 1st power level. In order to switch to the second power level, push once  button. By pushing any of the buttons  or , you can change the power mode in which the panel heater operates.
- In order to adjust the desired room temperature, which you want your appliance to maintain, you should push  button (with an indicated thermometer on it), then by pushing any of the  or  buttons, you can adjust the temperature value (15°-32°). The thermometer symbol will flash on and the digital display will show the temperature settings. After 6 seconds the display will stop blinking and will show the current room temperature.
- In order to adjust the timer – push , button, then the clock will flash on. By the  or  buttons adjust the time period (in number of hours) for which the appliance will operate and when it expires, the appliance will switch-off automatically.
- The available power levels are presented indicatively.

### MOVING THE APPLIANCE:

If it is necessary to move the appliance to another place of operation, switch it off by pulling the power plug out of the socket, holding the appliance handles with both hands, move it to its new position, having in mind that the appliance must get cold (cooled down) before doing this. Moving hot appliances may lead to bad consequences for the user like burns or inflammable materials entering the panel heater during its movement.

**APPLIANCE DESCRIPTION:**

1. Signal lamp
2. Digital display
3. Timer
4. Handles
5. Right cap of the panel heater
6. Feet
7. MICA heating element
8. Protection grille
9. Left cap of the panel heater

**IN-BUILT OVERTURN (FALL) PROTECTION SWITCH**

The panel heater has got an in-built overturn protection switch. In case the panel heater overturns, the power supply will be stopped. Let the panel heater cool down and then put it into upright position again. The appliance will restore its normal operation.

**AUTOMATIC SAFETY STOP**

There is an in-built device in the panel heater (self-restoring thermal switch), which actuates automatically and switches off the panel heater in case of overheating. The thermal switch will restore its normal state when the appliance temperature decreases to its normal level.

**Important!**

*It is possible during initial operation of the appliance a specific odour to be emitted. This is normal at the initial period of operation. Ensure that the panel heater is used in a well-ventilated room and let it work until the odour disappears. You may hear a specific sound resembling popping until the panel heater warms up. This is normal and the panel heater operates in normal mode. As soon as the panel heater warms up this sound will disappear.*

**CLEANING**

- It is compulsory first to switch off the appliance and disconnect its power cord from the socket. Before starting cleaning the panel heater you should wait until it cools down after disconnecting it from the power socket.
- Clean the body of the appliance with a damp cloth, vacuum cleaner or soft brush.
- Never immerse the appliance into water – there is danger to your life from electric shock!
- Never use petrol, thinner or coarse abrasive products for cleaning because they will damage the surface coating of the appliance.

**STORAGE**

- Before putting away the panel heater let it cool down after disconnecting it from the power socket.
- Use the original packing for storing the panel heater if it will not be used for a certain period of time. The product can be protected from excessive dust and dirt when it is kept in its original packing.
- Never put a hot appliance into its packing!
- The product has to be stored at a dry place away from direct sunlight.
- It is explicitly forbidden to store the appliance in wet or damp premises.

**PRODUCT PACKING SET INCLUDES:**

Panel heater	1 pc.
Castors/feet	2 pcs.
Manual	1 pc.
Guarantee certificate	1 pc.

**TECHNICAL CHARACTERISTICS OF THE APPLIANCE:**

Model	Rated power	Rated voltage	Rated frequency
MC2013	2000W	220-240V~	50Hz



**Warning: in order to avoid overheating, do not cover the appliance!**

**Environment protection instructions**


Old electric appliances contain valuable materials and therefore should not be disposed of as domestic waste! We ask you for your active cooperation to protect the resources and the environment by submitting your appliance to organized buy-back stations (if there are such).

**TABLE 2: INFORMATION REQUIREMENTS FOR ELECTRIC LOCAL SPACE HEATERS**

Model identifier(s): MC-2013/HV2001D

Item	Symbol	Value 1.	Unit	Item	Unit
Heat output				Type of heat input for electric storage local space heaters only (select one)	
Nominal heat output	$P_{nom}$	2.0	kW	Manual heat charge control, with integrated thermostat	No
Minimum heat output (indicative)	$P_{min}$	0.0	kW	Manual heat charge control, with room and/or outdoor temperature feedback	No
Maximum continuous heat output (indicative)	$P_{max,C}$	1.948	kW	Electric heat charge control, with room and/or outdoor temperature feedback heat charge control, with integrated thermostat	No
Auxiliary electricity consumption				Fan assisted head output	No
At nominal heat output	$eI_{max}$	N/A	kW	<b>Type of heat output/room temperature control (select one)</b>	
At minimum heat output	$eI_{min}$	N/A	kW	Single stage heat output and no room temperature control	No
In standby mode	$eI_{SB}$	0.000516	kW	Two or more manual stages, no room temperature control	No
				With mechanic thermostat room temperature control	No
				With electronic room temperature control	Yes
				With electronic room temperature control plus day timer	No
				With electronic room temperature control plus week timer	No
				<b>Other control options (multiple selections possible)</b>	No
				Room temperature control, with presence detection	No
				Room temperature control, with open window detection	No
				With distance control option	No
				With adaptive start control	No
				With working time limitation	No
				With black bulb sensor	No

TESY Ltd - Head office  
 1166 Sofia, Sofia Park,  
 Building 16V, Office 2.1. 2nd Floor  
 PHONE: +359 2 902 6666,  
 FAX: +359 2 902 6660,  
 office@tesy.com


 Прочетете настоящите инструкции преди да използвате този уред и съхранявайте тези указания за бъдещо ползване. При смяна на собственика, инструкцията за експлоатация трябва да се предава заедно с уреда.

Благодарим Ви, че избрахте конвектор MC 2013. Това е изделие, което предлага отопление през зимата в зависимост от нуждите за постигане на

комфортна топлина в отопляемото помещение. При правилна експлоатация и грижа, както е описано в тези инструкции, уредът ще Ви осигури много години полезно функциониране.

#### **ВАЖНИ ПРЕДПАЗНИ МЕРКИ И ИНСТРУКЦИИ ЗА БЕЗОПАСНОСТ:**


- Преди да включите уреда – проверете дали посоченото напрежение върху типовата табелка съответства на напрежението доставяно до дома Ви.

 Деца на по-малко от 3 години, трябва да се държат на разстояние, освен ако не са под непрекъснато наблюдение.

Деца на възраст от 3 години до 8 години могат само да използват бутона вкл./изкл. на уреда, при условие, че уреда е инсталиран и е готов за нормална работа и са били наблюдавани и инструктирани относно използването му по безопасен начин и разбират, че може да е опасно.

Деца на възраст от 3 години до 8 години не трябва да включват уреда в контакта, да го настройват, да го почистват или да извършват потребителска поддръжка.

Този уред може да се използва от деца на възраст над 8 години и лица с ограничени физически, сетивни или умствени способности, или с недостатъчен опит и познания, ако те са наблюдавани или инструктирани относно безопасното използване на уреда и разбират опасностите. Децата не трябва да си играят с уреда. Почистване и потребителска поддръжка не трябва да се прави от деца без наблюдение.

 Някои части на този продукт може да станат много горещи и да предизвикат изгаряния. Там където, присъстват деца и уязвими хора, трябва да бъде предоставено специално внимание.

- Този уред трябва да се използва само по предназначението, за което е бил предвиден, т.е. да отоплява битови помещения. Уред не е предназначен за търговски цели. Всяка различна употреба да се счита за неправилна и следователно опасна. Производителят не може да носи отговорност за повреди, произтичащи от неправилна и неразумна употреба. Неспазване на информацията за безопасност ще направи невалидна поетата гаранция за уреда!
- Не напускате дома си, докато уреда е включен: уверете се, че ключа е в изключено положение. Винаги изваждайте щепсела на уреда от контакта.
- Дръжте запалими предмети, като мебели, възглавници, спално бельо, хартия, дрехи, пердетата и т.н. на разстояние от поне 100 см далеч от конвекторната печка.
- Не използвайте уреда в зони където се използват или съхраняват огнеопасни вещества. Не използвайте уреда в зони със запалими атмосфери (например: в близост до запалими газове или аерозоли) - съществува много голяма опасност от експлозия и пожар!
- Не вкарвайте и не допускате чужди тела да попаднат в отворите за вентилация (входящи или изходящи), тъй като това ще причини токов удар, пожар или повреда в конвектора.
- Уреда не е подходящ за отглеждане на животни, и същия е предвиден само за домашно ползване!



- Пазете входа и изхода на въздушния поток свободни от предмети: поне на разстояние от 1 м пред и 1 м зад конвектора.
- Най-често срещаната причина за прегряване е натрупването на мъх и прах в уреда. Редовно почиствайте с прахосмукачка вентилационните отвори, като преди това задължително изключите уреда от електрическата мрежа.
- Никога не пипайте уреда с мокри или влажни ръце- съществува опасност за живота!
- Контактът трябва да бъде достъпен по всяко време, за да може щепсела да бъде освобождаван при нужда възможно най-бързо! Никога не теглете захранващия шнур или самия уред при изключване от мрежата.
- Обърнете внимание! Изходящия въздух се загрява по време на работа (до повече от 100°C).
- Ако захранващия шнур на този уред е повреден, преустановете употребата му и се свържете с доставчика/ продавача за допълнително инструкции.
- Не покривайте уреда. Ако е покрит има опасност от прегряване.
- Ако уреда не е в ред или функционира неправилно, спрете го и не го ремонтирайте. За всякакви ремонти се обърнете за съдействие към Сервизния Център за след продажбено обслужване. Само там ще подменят дефектиралата част с оригинална резервна такава. Не спазването на това условие ще компрометира безопасността на уреда.
- Ако решите да престанете да използвате уред от този тип, препоръчва се да го направите неизползваем, като срежете шнура, след като сте го изключили от мрежата. Препоръчва се още всички опасности, свързани с уреда да бъдат обезопасени, особено за деца, които биха могли да използват амортизираното устройство(уред) за игра.
- Никога не оставяйте ненужно уреда включен. Изключвайте го от захранващата мрежа, когато няма да го ползвате дълго време.
- Уреда не трябва да се поставя непосредствено под щепселна кутия!
- **Внимание:** Не използвайте този уред с програматор, брояч или друг уред който автоматично го включва тъй като, ако уреда е покрит или неправилно поставен съществува опасност от пожар.
- Поставете захранващия шнур, така че да не пречи на движението на хората и да не бъде настъпван! Използвайте само одобрени удължители, които са подходящи за уреда, т.е. имат знак за съответствие!
- Никога не премествайте уреда, като го дърпате за шнура както и не използвайте шнура за пренасяне на предмети!
- Не пречупвайте шнура и не го дърпайте през остри ръбове и не го поставяйте върху горещи плочи или открит огън!
- Никога не ползвайте този уред в непосредствена близост до баня, до душ или до плувен басейн!

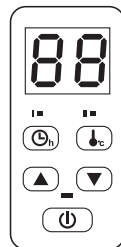
## ОПАКОВКА

- След разопаковане на уреда, проверете дали при транспортирането не е увреден и дали е напълно окомплектован! В случай че бъде констатирана повреда или непълна доставка, свържете се с Вашия упълномощен продавач!
- Не изхвърляйте оригиналната кутия! Тя би могла да се използва за съхранение и транспортиране, за да се избегнат повреди от превозването!
- Изхвърлянето на опаковъчния материал трябва да става по подходящ начин! Децата трябва да се пазят да не си играят с полиетиленовите торби!

## ИНСТАЛИРАНЕ И ИЗПОЛЗВАНЕ НА УРЕДА

Преди да включите Вашия панелен конвектор

- Поставете конвектора в правилна работна позиция преди да го включите в електрическата захранваща мрежа
- Изберете подходящо място за уреда, като се вземат в предвид инструкциите за безопасност
- Уредът е с мощност „I“ е за 1000W, „II“ е за 2000W. Общата максимална мощност, когато се включат и двете степени е 2000W



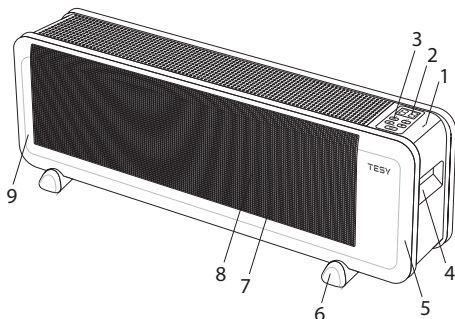
- Уредът е с електронен регулатор. За да включите уреда натиснете бутона за включване . След като включите конвектора ще светне лампичката за индикация, че конвектора работи на I-ва степен. За да включите и втората степен натиснете бутона един път. С натискане на някой от бутоните или се променя мощността, на която работи конвектора.
- За да настроите желаната от Вас температура, която искате да поддържа уреда, трябва да натиснете бутона с показание термометър, след което с натискане на някой от бутоните или се променя стойността на температурата (15°-32°). Символът с термометъра ще светне и цифровия дисплей ще показва зададената температура. След 6 секунди дисплея ще спре да мига и ще покаже стайната температура.
- За да настроите таймера натиснете бутона , след което ще светне часовника. С бутоните или задайте броя на часовете, през които уреда ще работи и след което автоматично ще се изключи.
- Възможните степени са показани индикативно.

## ПРЕМЕСТВАНЕ НА УРЕДА:

Ако е необходимо преместване на уреда, изключете чрез ключа, извадете плуга от контакта и с две ръце преместете уреда на новото място, като преместването е необходимо да се осъществи при студен (изстинал) конвектор. Преместването на топъл уред може доведе до нежелани последици за потребителя, като изгаряне или попадане на запалими материали върху конвектора по време на неговото преместване.

## ОПИСАНИЕ

1. Сигнална лампа
2. Цифров дисплей
3. Таймер
4. Дръжки
5. Дясна страница на конвектора
6. Крака
7. MICA нагревател
8. Предпазна решетка
9. лява страница на конвектора



## ВГРАДЕН ИЗКЛЮЧАТЕЛ ЗА ПРЕОБРЪЩАНЕ (ПАДАНЕ)

Конвектора има вграден изключвател за преобръщане, в случай че същия се преобръгне, захранващото напрежение ще бъде прекъснато. Оставете го известно време докато се охлади и тогава го изправете отново. Той ще възстанови нормалната си работа.

## АВТОМАТИЧНО ЗАЩИТНО ИЗКЛЮЧВАНЕ

В конвектора има и вградено устройство (самовъзстановяем термоизключвател), който автоматично се задейства и изключва в случай на прегряване и ще се поднови при охлаждане на температурата на уреда.



### Важно!

Възможно е при първото включване на уреда да усетите специфична миризма. Това е нормално за първоначалния период на работа. Уверете се, че конвектора е поставен в добре вентилирано помещение и го оставете да работи, докато изчезне миризмата. Може да чуете и специфичен шум, наподобяващ пукане, докато конвектора се загрива. Това е нормално и конвектора работи в нормален режим. Веднага щом като конвектора се загрее този шум изчезва.

## ПОЧИСТВАНЕ

- Задължително първо изключете уреда от ключа и извадете щепсела от контакта в стената. Преди да започнете да почиствате конвектора, оставете го да изстине като го изключите от контакта
- Почиствайте корпуса с влажна кърпа, прахосмукачка или четка.
- Никога не потапяйте уреда във вода - съществува опасност за живота от токов удар!
- Никога не използвайте бензин, разреждател или други абразивни продукти за почистване, тъй като те ще повредят покритието на уреда

## СЪХРАНЕНИЕ

- Преди да приберете конвектора, оставете го да изстине като го изключите от контакта
- Използвайте оригиналната опаковка за съхранение на конвектора ако същия няма да се използва за известно време. Продукта се предпазва от прекомерно запрашаване и замърсяване като се прибира в оригиналната си опаковка.
- Никога не прибирайте топъл уред в опаковка му!
- Продукта е необходимо да се съхранява в сухо и защитено от пряка слънчева светлина местоположение.
- Изрично се забранява неговото съхраняване във влажни или мокри помещения.

## ОКОМПЛЕКТОВКА В ЕДНА ОПАКОВКА:

Конвектор	1 брой
Крака	2 броя
Инструкция	1 брой
Гаранционна карта	1 брой

## ТЕХНИЧЕСКИ ПАРАМЕТРИ НА УРЕДА:

Модел	Обявена мощност	Обявено захранващо напрежение	Обявена честота
MC2013	2000W	220-240V~	50Hz



**Внимание: за да се избегне прегряване, не покривайте уреда!**



### Указания за опазване на околната среда

Старите електроуреди съдържат ценни материали и поради това не трябва да се изхвърлят заедно с битовата смет! Молим Ви да съдействате с активния си принос за опазване на ресурсите и околната среда и да предоставите уреда в организирани изкупвателни пунктове(ако има такива).



**ТАБЛИЦА 2: ИЗИСКВАНИЯ КЪМ ИНФОРМАЦИЯТА ЗА ЕЛЕКТРИЧЕСКИ ЛОКАЛНИ ОТОПЛITЕЛНИ ТОПЛОИЗТОЧНИЦИ**

Идентификатори на модела: MC-2013/HV2001D

Позиция	Символ	Стойност 1.	Мерна единица	Позиция	Мерна единица
Топлинна мощност				Вид топлинно зареждане, само за електрически акумулиращи локални отоплителни топлоизточници (изберете един)	
Номинална топлинна мощност	$P_{nom}$	2.0	kW	ръчен регулатор на топлинното зареждане с вграден термостат	[не]
Минимална топлинна мощност	$P_{min}$	0.0	kW	ръчен регулатор на топлинното зареждане с обратна връзка за температурата в помещението и/или навън	[не]
Максимална непрекъснатата топлинна мощност	$P_{max,C}$	1.948	kW	електронен регулатор на топлинното зареждане с обратна връзка за температурата в помещението и/или навън	[не]
Спомагателно потребление на електроенергия				отдавана чрез обдухване топлинна енергия	[не]
При номинална топлинна мощност	$eI_{max}$	N/A	kW	<b>Вид топлинна мощност/регулиране на температурата в помещението (изберете един)</b>	
При минимална топлинна мощност	$eI_{min}$	N/A	kW	една степен на топлинна мощност и без регулиране на температурата в помещението	[не]
В режим готовност	$eI_{SB}$	0.000516	kW	Две или повече ръчни степени, без регулиране на температурата на помещението	[не]
				с механичен термостат за регулиране на температурата в помещението	[не]
				с електронен регулатор на температурата в помещението	[Да]
				електронен регулатор на температурата в помещението и денонощен таймер	[не]
				електронен регулатор на температурата в помещението и седмичен таймер	[не]
				<b>Други варианти за регулиране (възможен е повече от един избор)</b>	
				регулиране на температурата в помещението с откриване на човешко присъствие	[не]
				регулиране на температурата в помещението с откриване на отворен прозорец	[не]
				с възможност за дистанционно управление	[не]
				с адаптивно управление на пускането в действие	[не]
				с ограничение на времето за работа	[не]
				с датчик във вид на черна полусфера	[не]

ТЕСИ ООД - Главен офис

1166 София, София парк,

Сграда 16V, Офис 2.1. 2-ри етаж

Телефон: +359 2 902 6666,

Факс: +359 2 902 6660,

office@tesy.com

**!** *Citiți instrucțiunile de utilizare înainte utilizării produsului. Păstrați instrucțiunile de utilizare pe toată durata de viața a produsului, pentru eventuale consultări ulterioare. La schimbarea proprietarului, instrucțiunile trebuie să fie transmise, împreună cu aparatul!*

Vă mulțumim pentru alegerea convecteurului MC 2013. Acest produs oferă căldura confortabilă în timpul iernii în funcție

de nevoile de încălzire în încăperea încălzită. Cu utilizare și îngrijire adecvată, așa cum este descris în aceste instrucțiuni, unitatea vă va oferi mulți ani de funcționare utilă.

### **PRECAUȚII IMPORTANTE ȘI INSTRUCȚIUNI DE SIGURANȚĂ:**

- Înainte de a porni aparatul verificați dacă tensiune din priză electrică de perete corespunde cu voltajul indicat pe plăcuța de informare a instrumentului.

**!** *Copiii mai mici de 3 ani, trebui să fie ținute departe, cu excepția cazului în care acestea sunt sub supraveghere constantă.*

*Copiii în vârstă între 3 și 8 ani pot folosi doar butonul porn./opr. a aparatului cu condiția ca aparatul este instalat și este gata pentru funcționarea normală și au fost monitorizate și instruiți cu privire la utilizarea acestuia în condiții de siguranță și înțeleg că ar putea fi periculos.*

*Copiii în vârstă între 3 și 8 ani nu trebui să sa pună cablul aparatului in priză, să-l setează sau să efectueze întreținerea.*

*Acest aparat nu este destinat utilizării de către persoane (inclusiv copii mici), cu capacități fizice, senzoriale sau mentale reduse, precum și lipsa de experiență și cunoștințe cu excepția cazului în care au văzut sau au fost dat instrucțiuni cu privire la utilizarea aparatului de către o persoană responsabilă pentru siguranța lor! Nu lăsați copiii mici să se joace cu aparatul! Curățarea și întreținerea nu trebui să fie făcută de către copii nesupravegheați.*

**!** *Unele părți acestui aparat pot deveni foarte fierbinți și pot cauza arsuri. Acolo unde sunt copii și persoanele vulnerabile trebuie să se acorde o atenție deosebită.*

- Acest aparat trebuie folosit numai în scopul pentru care au fost achiziționat, și anume a încălzi camere de utilitate. Aparatul nu este destinat pentru scopuri comerciale. Orice altă utilizare poate fi considerată improprie și, prin urmare, periculoasă. Producătorul nu poate fi tras la răspundere pentru pagubele rezultate din utilizarea incorectă și nerezonabilă. Nerespectarea informațiilor de siguranța va anula garanția aparatului ingerate!
- Nu părăsiți casă în timp ce aparatul este pornit: asigurați-vă că comutatorul este în poziția oprit. Scoateți întotdeauna aparatul de la priză de alimentare.
- Păstrați o distanță între convecteurul și obiectele inflamabile, cum ar fi mobila, perne, lenjerie de pat, hârtie, îmbrăcăminte, perdele, de cel puțin 100 de cm de la convector.
- Nu utilizați aparatul în zonele în care sunt utilizate sau depozitate substanțe inflamabile. Nu utilizați aparatul în zone cu atmosfere inflamabile (de exemplu: în apropierea gazelor inflamabile sau aerosolisilor) - există un pericol extrem de explozie și incendiu!
- Nu introduceți sau nu permite obiecte străine să cadă în orificiile de ventilație (de intrare sau de ieșire), deoarece acest lucru va provoca un șoc electric, incendiu sau deteriorare a convecteurului.
- Aparatul nu este potrivit pentru utilizare în creșterea animalelor, acesta este destinat numai pentru uz casnic!
- Păstrați intrarea și ieșirea debitului de aer libere de obiecte: cel puțin la o distanță de 1 m în față și 1 m în spatele convecteurului.

- Cea mai frecventa cauza de supraîncălzire este acumularea de scame și praf în unitate. Curățați regulat cu aspirator orificiile de ventilare, dar înainte de aceasta scoateți aparatul de la rețeaua de alimentare.
- Nu atingeți aparatul cu mâini ude - există pericol pentru viață!
- Priză trebuie să fie ușor accesibilă pentru a scoate ștecherul când este nevoie cât mai repede posibil!! Nu trageți niciodată de cablul de alimentare sau de aparatul pentru a-l deconecta de la priza..
- **ATENȚIE!** Aerul de evacuare este încălzit în timpul funcționării (mai mult de 100°C).
- Dacă cablul acestui aparat este deteriorat, opriți utilizarea și luați legătura cu furnizorul / vânzător pentru instrucțiuni suplimentare.
- Nu acoperiți aparatul. Dacă este acoperit există pericol de supraîncălzire.
- În cazul în care unitatea nu este în ordine sau funcționează defectuos, opriți - și nu reparați. Pentru orice reparații, pentru asistența contactați Centrul de Servicii pentru servicii post-vanzare. Numai acolo vor înlocui piesa defectuoasă cu piesă originală. Nerespectarea acestei condiții ar putea compromite siguranța aparatului.
- Dacă decideți să nu mai utilizați un dispozitiv de acest tip, se recomandă să - faceți inutilizabil, să tăiați cablul, după ce l-ați deconectat de la sursa de alimentare.. Se recomandat toate pericolele asociate cu aparatul să fie protejate, în special pentru copiii care ar putea folosi dispozitivul amortizat(dispozitiv) pentru a se juca cu el..
- Niciodată nu lăsați aparatul pornit inutil. Deconectați-l din rețeaua de alimentare, dacă nu-l veți folosi o perioada lungă de timp.
- Aparatul nu trebuie să fie așezat direct sub cutia prizei!
- Atenție: Nu conectați aparatul la un cronometru, programator sau orice alt dispozitiv care conectează aparatul automat, pentru că există riscul de a lua foc dacă aeroterma este acoperită sau poziționată incorect.
- Conectați cablul de alimentare astfel încât să nu împiedice circulația persoanelor și să nu fie încălcat! Utilizați numai prelungitoare aprobate, care sunt adecvate pentru acest instrument, adică au semn de conformitate!
- Niciodată nu mutați aparatul trăgând de cablu și nu utilizați cablul pentru a transporta obiecte!!
- Nu striviți cablul și nu-l trageți peste muchii ascuțiți. Nu-l amplasați deasupra unor plite încinse sau deasupra flăcărilor!
- Niciodată nu folosiți acest aparat în apropiere de baie, duș sau o piscină!

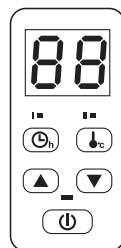
## AMBALAJ

- După despachetarea aparatului, verii căți integralitatea acestuia și existența unor eventuale deteriorări apărute la transport În cazul constatării unei deteriorări sau al unei livrări incomplete, contactați distribuitorul autorizat!
- Nu aruncați cutia originală! Aceasta poate fi utilizată la depozitare și mutare pentru evitarea deteriorărilor la transport!
- Evacuați materialul ambalajului la deșeuri într-un mod corespunzător! Nu lăsați pungile de plastic la îndemâna copiilor!

## INSTALAREA ȘI UTILIZAREA APARATULUI

Înainte de a porni convectorul Dvs.

- Așezați convectorul în poziția corectă de lucru înainte de a-l conecta la rețeaua de alimentare cu energie electrică
- Alegeți un loc potrivit pentru unitatea, având în vedere instrucțiunile de siguranță
- Aparatul este cu putere: „I” este pentru 1000W, „II” este pentru 2000W. Puterea generală maximă, când sunt pornite ambele puteri este 2000W



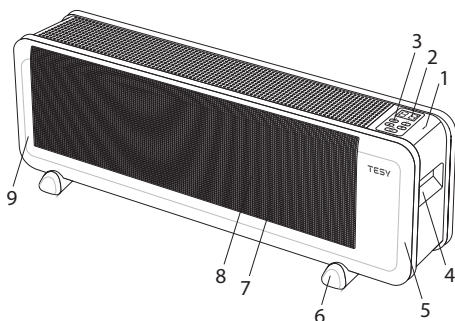
- Dispozitivul dispune de un regulator electronic. Pentru a porni aparatul, apăsați butonul de pornire ⏻. După ce porniți convectorul se va aprinde o lumină indicatoare, care arată că convectorul funcționează la nivel I. Pentru a porni și nivelul doi apăsați odată butonul ▲. Prin apăsarea butoanelor „▲” sau „▼” se schimbă puterea cu care lucrează convectorul.
- Pentru a seta temperatura dorită de dvs., pe care doriți să mențină aparatul, apăsați butonul ⬇️ cu termometru, după ce apăsați unul dintre butoanele „▲” sau „▼” pentru a schimba temperatura (15°-32°). Simbolul termometrului va clipi și afișajul digital va indica temperatura. După 6 secunde display-ul se va opri și va afișa temperatura camerei.
- Pentru a seta timer-ul apăsați butonul ⌚, după ce se va aprinde ceasul. Cu butoanele „▲” sau „▼” setați numărul de ore, în care aparatul va funcționa și după care se va opri automat.
- Pozițiile posibile sunt prezentate orientativ.

**MUTAREA APARATULUI:**

Dacă este necesar să mutați aparatul, opriți-l de la comutator, scoateți ștecherul și cu ambele mâini mutați aparatul la noua locație. Aceasta se face, când aparatul s-a răcit Mutarea aparatului fierbinte poate duce la consecințe nedorite pentru consumator, cum ar fi incinerarea sau pătrunderea de materiale inflamabile pe convecteurul timpului de relocare.

**DESCRIEREA APARATULUI**

1. Lampa de semnalizare
2. Display digital
3. Timer
4. Mânere
5. Partea din dreapta a convecteurului
6. Picioare
7. Încălzitor MICA
8. Grilă de protecție
9. Partea din stânga a convecteurului

**COMUTATOR INCORPORAT DE RĂSTURNARE (CĂDERE)**

Convecteurul are un comutator integrat în caz de răsturnare. În caz în care acesta se răstoarnă, alimentarea cu energie se va întrerupe. Lăsați-l ceva timp să se răcească și apoi îndreptați-l din nou. Acesta va reveni la funcționarea normală.

**OPRIRE AUTOMATĂ DE SIGURANȚĂ.**

Convecteurul are și un dispozitiv incorporat (termostat resetabil), care pornește și oprește automat în caz de supraîncălzire și va reporni când temperatura din unitatea va scade.

**Important!**

Este posibil la prima pornirea aparatului să simțiți un miros specific. Aceasta este normal pentru perioada inițială de funcționare. Asigurați-vă că convecteurului este plasat într-o încăpere bine ventilată și lăsați-l să funcționeze până ce mirosul dispare.

Puteți auzi și un zgomot specific, în timp ce convecteurul se încălzește. Acest lucru este normal și convectoare funcționează normal. Îndată ce convecteurul se încălzește zgomotul dispare.

**CURĂȚARE**

- În primul rând opriți aparatul de la comutator și deconectați cablul de alimentare de la priza. Înainte de a curăța convecteurul, lăsați-l să se răcească, după ce l-ați deconectat de priza.
- Curățați carcasa cu o cârpă umedă, praful acumulat cu aspirator sau o perie.
- Nu scufundați niciodată aparatul în apă - există pericol pentru viața din șoc electric!!
- Nu folosiți agenți de curățare inflamabili, ca de exemplu benzină sau alcool, pentru curățarea aparatului

**DEPOZITARE**

- Înainte de a curăța convecteurul, lăsați-l să se răcească, după ce l-ați deconectat de priza
- Folosiți ambalajul original de depozitare a convecteurului, dacă acesta nu va fi utilizat o perioadă lungă de timp Produsul este protejat de praf și murdărie când este depozitat în ambalajul original.
- Nu depozitați aparatul cald în ambalajul său!
- Produsul trebuie să fie depozitate în locuri uscate și protejate de lumina directă a soarelui.
- Se interzice în mod expres depozitarea aparatului în zone umede sau ude.

**ECHIPAMENTE ÎN SET:**

Convecteur	1 buc
Picioare	2 buc
Instrucțiuni	1 buc
Carte de garanție	1 buc

**PARAMETRII TEHNICI A APARATULUI:**

Model	Putere declarată	Tensiune de alimentare declarată	Frecvență declarată
MC2013	2000W	220-240V~	50Hz



**Atenție: Pentru a evita supraîncălzirea, nu acoperiți aparatul!**


**Indicații pentru protecția mediului înconjurător**

Aparatele electrice uzate sunt materiale valoroase, motiv pentru care locul lor nu este la gunoierul menajer! Din această cauză, vă rugăm să ne sprijiniți și să participați la protejarea resurselor naturale și a mediului înconjurător, prin predarea acestui aparat la centrele de preluare a acestora.

**TABELUL 2 CERINȚE PRIVIND INFORMAȚIILE REFERITOARE LA APARATELE ELECTRICE PENTRU ÎNCĂLZIRE LOCALĂ**
**Identificatorul de model(e):** MC-2013/HV2001D

Parametru	Simbol	Valoare 1.	Unitate	Parametru	Unitate
Puterea termică				Modul de acumulare a căldurii, numai în cazul aparatelor electrice pentru încălzire locală cu acumulator de căldură (alegeți o variantă)	
Puterea termică nominală	$P_{nom}$	2.0	kW	control manual al sarcinii termice, cu termostat integrat	[nu]
Puterea termică minimă (cu titlu indicativ)	$P_{min}$	0.0	kW	control manual al sarcinii termice, ca răspuns la temperatura camerei și/sau exterioară	[nu]
Puterea termică maximă continuă	$P_{max,C}$	1.948	kW	control electronic al sarcinii termice, ca răspuns la temperatura camerei și/sau exterioară	[nu]
Consumul auxiliar de energie electrică				putere termică comandată de ventilator	[nu]
La putere termică nominală	$e_{l,max}$	N/A	kW	<b>Tip de putere termică/controlul temperaturii camerei (selecți o variantă)</b>	-
La putere termică minimă	$e_{l,min}$	N/A	kW	cu o singură treaptă de putere termică și fără controlul temperaturii camerei	[nu]
În modul standby	$e_{l,SB}$	0.000516	kW	două sau mai multe trepte de putere manuale, fără controlul temperaturii camerei	[nu]
				cu controlul temperaturii camerei prin intermediul unui termostat mecanic	[nu]
				cu control electronic al temperaturii camerei	[da]
				cu control electronic al temperaturii camerei și cu temporizator cu programare zilnică	[nu]
				cu control electronic al temperaturii camerei și cu temporizator cu programare săptămânală	[nu]
				<b>Alte opțiuni de control (se pot selecta mai multe variante)</b>	
				controlul temperaturii camerei, cu detectarea prezenței	[nu]
				controlul temperaturii camerei, cu detectarea unei ferestre deschise	[nu]
				cu opțiune de control la distanță	[nu]
				cu demaraj adaptabil	[nu]
				cu limitarea timpului de funcționare	[nu]
				cu senzor cu bulb negru	[nu]

TESY Ltd - Head office  
 1166 Sofia, Sofia Park,  
 Building 16V, Office 2.1. 2nd Floor  
 PHONE: +359 2 902 6666,  
 FAX: +359 2 902 6660,  
 office@tesy.com


 **Pročitajte ove upute prije korištenja ovog uređaja i držati ove upute za buduću uporabu. Pri promjeni vlasnika, upute moraju se prenositi s aparatom.**

Zahvaljujemo da ste odabirali konvektor MC 2013. Ovo je uređaj koji nudi grijanje u zimi koliko je potrebno kako bi se postigla udobna toplina u zagrijanoj

prostoriji. Uz pravilnu uporabu i njegu kao što je opisano u ovim uputama, uređaj će Vam pružiti mnogo godina korisnog rada.


#### **VAŽNE MJERE OPREZA I SIGURNOSNE UPUTE:**

- Prije uključivanja uređaja – provjerite da li napon struje na tipskoj pločici odgovara naponu, koji se koristi u Vašem domu.

 **Djeca koja su manja od tri godine, moraju se držati na udaljenosti, osim ako nisu pod stalnim nadzorom.**

*Djeca u dobi od tri godine do osam godina mogu koristiti samo dugme uklj. / Isklj. jedinice, pod uvjetom da je uređaj instaliran i spreman za normalan rad i ona su bila pod praćenjem i su upućena na njegovu uporabu na siguran način i razumiju da to može biti opasno. Djeca u dobi od tri godine do 8 godina ne bi trebala uključivati uređaj u utičnicu, da ga postavljaju da ga očiste ili da izvode korisničko održavanje.*

*Ovaj uređaj se može koristiti od strane djece u dobi nad osam godina i od strane osoba sa smanjenim fizičkim, osjetilnim ili mentalnim sposobnostima, ili sa nedostatkom iskustva i znanja, osim ako su one pod nadzorom ili upućene u sigurno korištenje aparata i razumiju opasnosti. Djeca ne bi trebalo se igrati s aparatom. Čišćenje i korisničko održavanje ne treba biti učinjeno od strane djece bez nadzora.*

 **Neki dijelovi ovog uređaja mogu postati vrlo vrući i uzrokovati opekline. Tamo gdje su prisutna djeca i ranjivi ljudi se treba posvetiti posebna pozornost.**

- Ovaj uređaj mora biti korišten samo na svrhu za koju je namijenjen, odnosno za zagrijavanje domaćih prostora. Uređaj nije namijenjen za trgovačke svrhe. Svako drugo korištenje može se smatrati nepravilnim i stoga opasnim. Proizvođač ne može biti odgovoran za štete nastale nepravilnim i nerazumnim upotrebama. Nepridržavanje sigurnosne informacije će izgubiti jamstvo aparata!
- Ne izlazite iz kuće dok je uređaj uključen: provjerite da li je dvostruki prekidač u položaju OFF (0) (isključen). Uvijek uklanjajte utikač aparata iz utičnice.
- Držite zapaljive predmete kao što su namještaj, jastuci, posteljina, papir, odjeća, zavjese, itd. na udaljenosti od najmanje 100 cm od konvektora.
- Ne koristite uređaj u područjima gdje se koriste ili drže zapaljivi materijali. Ne koristite uređaj u područjima sa zapaljivom atmosferom (npr. u blizini zapaljivih plinova ili aerosola) - postoji velika opasnost od eksplozije i požara!
- Nemojte umetati ili dopustiti strani predmeti da popadaju u ventilacijske otvore (dolazni ili odlazni), jer će to uzrokovati strujni udar, požar ili oštećenja u konvektoru.
- Uređaj nije prikladan za gajenje životinja, a isti je namijenjen samo za kućnu uporabu!
- Držite ulaz i izlaz zračnog protoka da su slobodni predmeta: najmanje na udaljenosti od 1 m ispred i 1 m iza konvektora.
- Najčešći uzrok pregrijavanja je akumulacija vlakna i prašine u uređaju. Redovno usisavajte ventilacijske otvori, kao što je prethodno potrebno isključili aparat.
- Nikad ne dirajte uređaj mokrim ili vlažnim rukama – postoji opasnost po život!



- Utičnica mora biti dostupna u bilo kojem trenutku, da bi moglo da se utikač oslobodi što je prije moguće! Nikad ne povlačite kabel za napajanje ili sam aparat kad želite da isključite uređaj iz napajanja.
- Obratite pažnju! Izlazni zrak se zagrijava za vrijeme rada (do više od 100°C).
- Ako je kabel oštećen, prestanite koristiti ga i obratite se dobavljaču / prodavaču za dodatne upute u cilju uklanjanja problema u specijalnom servisnom centru.
- Nemojte pokrivati uređaj. Ako je pokriven postoji opasnost od pregrijavanja i požara.
- Ako uređaj nije u redu ili neispravan, zaustaviti ga i nemojte ga popraviti. O svim popravcima se konzultirajte svom servisnom centru za poslije-prodajnu uslugu. Samo tamo će zamijeniti oštećeni dio s originalnim rezervnim. Nepoštivanje ovog uvjeta bi ugrozilo sigurnost aparata.
- Ako odlučite prestati koristiti uređaj ovog tipa, preporuča se da ga uradite neupotrebljivim, izrezavši kabel nakon isključivanja iz mreže. Također se preporučuje sve opasnosti povezane s aparatom da budu zaštićene, posebno za djecu koja bi mogla koristiti amortizirani aparat (uređaj) za igru.
- Nikada ne ostavljajte aparat uključen nepotrebno. Isključite ga iz utičnice kada nećete ga koristiti dulje vrijeme.
- Uređaj ne bi trebao biti postavljen neposredno ispod kutije utikača!
- Oprez: Ne koristite ovaj uređaj s programerom, timerom ili drugim uređajima koji ga automatski uključuju, jer ako je aparat prekriveni ili pogrešno postavljen postoji opasnost od požara.
- Priključite kabel za napajanje tako da ne ometa kretanje ljudi, i da ne bude nastupljaan! Koristite samo odobrene produžne kabele koji su prikladni za uređaj, t.e. da imaju oznaku sukladnosti!
- Nikad ne pomičite uređaj povlačenjem kabela i ne koristite kabel za nošenje predmeta!
- Nemojte savijati kabel i nemojte ga povucite preko oštarih rubova i nemojte ga staviti na vruće ploče ili na otvoreni plamen!
- Nikad nemojte koristiti ovaj uređaj u blizini kupatila, tuševa ili bazena!

## PAKOVANJE

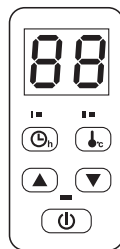
- Nakon raspakiranja uređaja, provjerite je li tokom prijevoza nije umanjen ili potpuno opremljeni! U slučaju da se utvrdi oštećene ili nepotpuna isporuka, obratite se ovlaštenom prodavaču!

- Nemojte odbaciti originalnu kutiju! Ona bi moglo se koristiti za skladištenje i transport kako bi se izbjeglo oštećenje od prijevoza!
- Odbacivanje materijala za pakiranje mora biti na odgovarajući način! Djeca bi trebala da su pod nadzorom da se ne igraju s plastičnim vrećicama!

## INSTALACIJA I KORIŠTENJE UREĐAJA

Prije nego što uključiteVaši panelni konvektor

- Postavite u pravilnom radnom položaju prije nego ga uključiti u električnu mrežu napajanja
- Odaberite prikladno mjesto za jedinicu, uzimajući u obzir upute za sigurnost
- Uređaj ima snagu „I“ je za 1000W, „II“ je za 2000W. Ukupna maksimalna snaga kada su obja stupnjeva uključena je 2000W



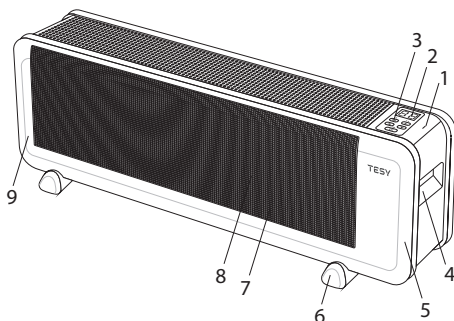
- Uređaj je s elektroničkim regulatorom. Da biste uključili uređaj pritisnite tipku za uključivanje (⏻). Nakon uključivanja konvektora, će se upaliti lampa za indicaciju da konvektor radi na I o j razini. Da biste uključili i drugu razinu, pritisnite dugme ▲ jedan put. Pritskom nekog od dugmadi "▲" ili "▼" se promjenjuje snaga na kojoj radi konvektor.
- Da biste postavili željenu od Vas temperaturu, pritisnite tipku ⏴ sa prikazanim termometrom, a zatim pritisnom nekog od dugmadi "▲" ili "▼" se promjenjaju vrijednosti temperature (15°-32°). Simbol sa termometrom će zatrepitati i digitalni zaslon će prikazivati zadatu temperaturu. Nakon šest sekundi zaslon će prestati treptati i će pokazati sobnu temperaturu.
- Da biste podesili timer, pritisnite tipku ⏻, i će zasvijetnuti sat. Tipkama "▲" ili "▼" postavite broj sati, za koje će uređaj raditi a zatim se automatski isključuje.
- Mogući stupnjevi su pokazali indikativno.

## PREMJEŠTANJE UREĐAJA:

Ako je potrebno premještanje aparata, isključite iz utičnice i s obojnim rukama premjestite aparat na novu lokaciju, kao premještanje je potrebno izvršiti se kad je konvektor hladan. Premještanje vrućeg aparata može dovesti do neželjenih posljedica za potrošača, kao što su spaljivanje ili prodora zapaljivih materijala na konvektor za vrijeme njegovog premještanja.

## OPIS UREĐAJA

10. Signalna lampa
11. Digitalni zaslon
12. Timer
13. Drške
14. Djesna strana konvektora
15. Noge
16. MICA grijač
17. Zaštitna rešetka
18. Leva strana konvektora



## UGRAĐEN PREKIDAČ ZA PREOKRETANJE (PADANJE)

Ovaj konvektor ima ugrađen prekidač za preokretanje, ako se isti preokrene, električno napajanje će biti prekinuto. Ostavite ga neko vrijeme da se ohladi, a zatim ga ponovno ispravite. On će se vratiti u normalan rad.

## AUTOMATSKO SIGURNOSNO ISKLJUČIVANJE

U konvektoru ima i ugrađeni uređaj (za ponovno pokretanje termoprekidač) koji se automatski aktivira i isključuje u slučaju pregrijavanja i da će se nastaviti kada temperatura jedinice postane hladna.



### Važno!

Moguće je tijekom prvog uključivanja uređaja da osjetite neki miris. To je normalno za početno razdoblje korištenja. Uvjerite se da je konvektor postavljen u dobro prozračenom prostoru i ostavite ga da radi dok miris nestane. Možete čuti i specifičnu buku nalik na pucanje dok se konvektor zagrijava i. To je normalno i konvektor radi u normalnom načinu rada. Odmah kad se konvektor zagrija buka nestaje.

## ČIŠĆENJE

- Obavezno najprije isključite prekidač aparata i izvucite utikač iz utičnice. Prije početka čišćenja konvektora, ostavite ga da se ohladi isključivši ga iz kontakta
- Očistite korpus s vlažnom krpom, usisivačem ili četkom.
- Nemojte nikada uranjati aparat u vodu – postoji opasnost po život od strujnog udara!
- Nikada ne koristite benzin, razrjeđivač ili gruba abrazivna sredstva za čišćenje, jer će ona oštetiti površinu aparata

## SKLADIŠTENJE

- Prije pohrane konvektora, ostavite ga da se ohladi isključivši ga iz kontakta
- Koristite originalno pakovanje za pohranu konvektora ako se isti neće koristiti za neko vrijeme. Ovaj uređaj će biti zaštićen od prašine i prljavštine, dok je uvučeni u svojoj originalnoj ambalaži.
- Nikada nemojte pohranjivati vrući aparat u njegovoj ambalaži!
- Ovaj uređaj treba biti pohranjen na suhom i zaštićenom od direktne sunčeve svjetlosti mjestu.
- Izričito se zabranjuje njegovo čuvanje u vlažnim ili mokrim područjima.

## OPREMA U JEDNOM PAKIRANJU:

Konvektor	1 komad
Noge	2 komada
Upute	1 komad
Jamstvena karta	1 komad

## TEHNIČKI PARAMETRI UREĐAJA:

Model	Objavljena snaga	Objavljeni napon napajanja	Objavljena frekvencija
MC2013	2000W	220-240V~	50Hz



**Upozorenje: Kako biste izbjegli pregrijavanje, ne prekrivajte uređaj!**



### Smjernice za zaštitu okoliša

Stari električni uređaji sadrže vrijedne materijale i stoga ne bi trebalo ih odlagati zajedno s kućnim smećem! Molimo vas da suradujete sa svojim aktivnim doprinosom očuvanju resursa i okoliša i za prijenos uređaja organiziranim centrima za iskupovanje (ako ih ima).

**TABLICA 2. ZAHTJEVI ZA INFORMACIJE ZA ELEKTRIČNE GRIJALICE ZA LOKALNO GRIJANJE PROSTORA**

Identifikacijska(-e) oznaka(-e) modela: MC-2013/HV2001D

Značajka	Simbol	Vrijednost 1.	Jedinica	Značajka	Jedinica
Toplinska snaga				Vrsta ulazne topline, samo za električne akumulacijske grijalice za lokalno grijanje prostora (odabrati jednu)	
"nazivna toplinska snaga"	$P_{nom}$	2.0	kW	"ručna regulacija napajanja toplinom, s ugrađenim termostatom"	[ne]
"minimalna toplinska snaga (referentna)"	$P_{min}$	0.0	kW	"ručna regulacija napajanja toplinom putem informacija o sobnoj i/ili vanjskoj temperaturi"	[ne]
"maksimalna kontinuirana toplinska snaga"	$P_{max,C}$	1.948	kW	"elektronička regulacija napajanja toplinom putem informacija o sobnoj i/ili vanjskoj temperaturi"	[ne]
"Potrošnja pomoćne električne energije"				predaja topline uz pomoć ventilatora	[ne]
"kod nazivne toplinske snage"	$e_{lmax}$	N/A	kW	<b>Vrsta izlazne topline/regulacija sobne temperature (odabrati jednu)</b>	-
"kod minimalne toplinske snage"	$e_{lmin}$	N/A	kW	"jednostupanjnska predaja topline i bez regulacije sobne temperature"	[ne]
u stanju pripravnosti	$e_{lSB}$	0.000516	kW	"dva ili više ručna stupnja, bez regulacije sobne temperature"	[ne]
				"s regulacijom sobne temperature mehaničkim termostatom"	[ne]
				s elektroničkom regulacijom sobne temperature	[da]
				"elektronička regulacija sobne temperature i dnevni uklopni sat"	[ne]
				"elektronička regulacija sobne temperature i tjedni uklopni sat"	[ne]
				<b>Druge mogućnosti regulacije (moguć odabir više opcija)</b>	
				"regulacija sobne temperature s prepoznavanjem prisutnosti"	[ne]
				"regulacija sobne temperature s prepoznavanjem otvorenog prozora"	[ne]
				s mogućnošću regulacije na daljinu	[ne]
				s prilagodljivim pokretanjem regulacije	[ne]
				s ograničenjem vremena rada	[ne]
				s osjetnikom s crnom žaruljom	[ne]

TESY Ltd - Head office  
 1166 Sofia, Sofia Park,  
 Building 16V, Office 2.1. 2nd Floor  
 PHONE: +359 2 902 6666,  
 FAX: +359 2 902 6660,  
 office@tesy.com

**!** Διαβάστε αυτές τις οδηγίες πριν τη χρήση αυτού του προϊόντος και διατηρήστε τες για μελλοντική χρήση. Σε περίπτωση που η ηλεκτρική συσκευή αλλάξει ιδιοκτησία, οι οδηγίες χρήσης πρέπει να παραχωρηθούν στο νέο ιδιοκτήτη!

Σας ευχαριστούμε που επιλέξατε το θερμοπομπό MC 2013. Αυτή η συσκευή παρέχει θέρμανση το χειμώνα ανάλογα με τις ανάγκες, για να επιτευχθεί μια άνετη θερμότητα

στο θερμαινόμενο χώρο. Σε περίπτωση σωστής λειτουργίας και περιθάλψης, όπως περιγράφεται σ' αυτές τις οδηγίες, η συσκευή θα παρέχει μια χρήσιμη λειτουργία για πολλά χρόνια.

#### **ΣΗΜΑΝΤΙΚΕΣ ΠΡΟΦΥΛΑΞΕΙΣ ΚΑΙ ΟΔΗΓΙΕΣ ΑΣΦΑΛΕΙΑΣ :**

- Πριν ενεργοποιήσετε τη συσκευή - βεβαιωθείτε ότι η τάση του οικιακού σας δικτύου αντιστοιχεί σε εκείνη που αναγράφεται στην ταμπέλα της συσκευής.

**!** Πρέπει να κρατάτε μακριά παιδιά κάτω των 3 ετών, εκτός εάν τα επιτηρείτε συνεχώς. Παιδιά ηλικίας από 3 έως 8 ετών μπορούν να χρησιμοποιούν το διακόπτη on/off της συσκευής, υπό την προϋπόθεση ότι η συσκευή έχει εγκατασταθεί και είναι έτοιμη για κανονική λειτουργία και τα παιδιά επιτηρούνται και γνωρίζουν τις οδηγίες ασφαλούς χρήσης, κατανοώντας ότι η αμέλεια αποτελεί κίνδυνο.

Παιδιά ηλικίας από 3 έως 8 ετών δεν θα πρέπει να συνδέουν τη συσκευή στην πρίζα, να την ρυθμίζουν, να την καθαρίζουν ή να εκτελούν εργασίες συντήρησης.

Αυτή η συσκευή μπορεί να χρησιμοποιηθεί από παιδιά ηλικίας 8 ετών και πάνω και από άτομα με περιορισμένες σωματικές, αισθητήριες ή διανοητικές ικανότητες ή από άτομα χωρίς εμπειρία και γνώση, με την προϋπόθεση ότι τη χρησιμοποιούν υπό επιτήρηση ή ότι έχουν λάβει οδηγίες σχετικά με την ασφαλή χρήση της συσκευής και κατανοούν τους ενεχόμενους κινδύνους. Τα παιδιά δεν πρέπει να παίζουν με τη συσκευή. Τα παιδιά δεν πρέπει να καθαρίζουν και να συντηρούν τη συσκευή χωρίς επιτήρηση.

**!** Ορισμένα μέρη του προϊόντος αυτού μπορούν να γίνουν επικίνδυνα ζεστά και να προκαλέσουν εγκαύματα. Σε χώρους όπου παρίστανται παιδιά και ευάλωτα άτομα, θα πρέπει να δοθεί ιδιαίτερη προσοχή.

- Η συσκευή αυτή προορίζεται αποκλειστικά και μόνο για τη χρήση για την οποία έχει σχεδιαστεί, δηλ. για οικιακή χρήση (θέρμανση χώρων διαβίωσης). Δεν προορίζεται για εμπορική χρήση. Οποιαδήποτε άλλη χρήση θα πρέπει να θεωρείται ακατάλληλη και συνεπώς επικίνδυνη. Ο κατασκευαστής δεν μπορεί να θεωρηθεί υπεύθυνος για τυχόν ζημιές που μπορεί να προκληθούν από ακατάλληλη, λανθασμένη και αλόγιστη χρήση. Εάν δεν τηρηθούν όλες οι οδηγίες για την ασφάλεια, θα ακρωθεί η εγγύηση της συσκευής που παρέχεται!
- Μην φύγετε από το σπίτι, ενώ η συσκευή είναι αναμμένη: βεβαιωθείτε ότι ο διακόπτης ισχύος είναι στη θέση OFF(0) (εκτός λειτουργίας). Πάντα βγάξτε το φις από την πρίζα του ρεύματος.
- Κρατάτε τη συσκευή σε απόσταση τουλάχιστον 100 εκατοστών μακριά από εύφλεκτα υλικά συμπεριλαμβανομένων επίπλων, μαξιλαριών, κλιννοσκεπασμάτων, χαρτιού, ρούχων, κουρτινών κλπ.
- Να μην χρησιμοποιείτε τη συσκευή σε χώρους όπου χρησιμοποιούνται ή αποθηκεύονται εύφλεκτα υλικά. Να μην χρησιμοποιείται η συσκευή σε χώρους με εύφλεκτες ατμόσφαιρες (π.χ. κοντά σε εύφλεκτα αέρια και αερολύματα) - υπάρχει πολύ μεγάλος κίνδυνος έκρηξης και πυρκαγιάς!
- Μην παρεμβάλετε ξένα αντικείμενα μέσω ανοιγμάτων και οπών αερισμού (εισερχόμενα ή εξερχόμενα), επειδή αυτό μπορεί να προκαλέσει ηλεκτροπληξία, πυρκαγιά ή βλάβη στη συσκευή.
- Η συσκευή δεν είναι κατάλληλη για εκτροφή ζώων και προορίζεται μόνο για οικιακή χρήση.

- Βεβαιωθείτε ότι η είσοδος και η έξοδος του αέρα δεν παρεμποδίζονται από αντικείμενα: κρατάτε τα αντικείμενα σε απόσταση τουλάχιστον 1 μέτρου μπροστά και 1 μέτρο πίσω από το convector.
- Η πιο συνηθισμένη αιτία υπερθέρμανσης είναι η σκόνη και το χνούδι που συσσωρεύονται μέσα στη συσκευή. Τακτικά σκουπίζετε τους αεραγωγούς με ηλεκτρική σκούπα, αφού πρώτα υποχρεωτικά αποσυνδέσετε τη συσκευή από το ηλεκτρικό δίκτυο.
- Ποτέ μην αγγίζετε τη συσκευή με υγρά και βρεγμένα χέρια – υπάρχει κίνδυνος για τη ζωή!
- Η πρίζα πρέπει να είναι ανά πάσα στιγμή προσβάσιμη για να μπορεί το βύσμα να τραβηχτεί κατά ανάγκη όσο δυνατόν γρηγορότερα! Ποτέ μην τραβάτε το καλώδιο τροφοδοσίας της συσκευής για να βγάλετε το φικ από την πρίζα του ρεύματος.
- Προσοχή! Ο εξερχόμενος αέρας θερμαίνεται κατά τη διάρκεια της λειτουργίας (έως και πάνω από 100°C).
- Αν το καλώδιο τροφοδοσίας παρουσιάζει φθορές, σταματήστε τη χρήση του και απευθυνθείτε στον προμηθευτή/ πωλητή για πρόσθετες οδηγίες.
- Μην καλύπτετε τη συσκευή. Εάν είναι καλυμμένη, υπάρχει κίνδυνος υπερθέρμανσης.
- Εάν η συσκευή δεν λειτουργεί καλά, πρέπει να την αποσυνδέσετε και να μην την επισκευάσετε. Για οποιαδήποτε επισκευή, επικοινωνήστε το εξουσιοδοτημένο κέντρο σέρβις εξυπηρέτησης πελατών μετά την πώληση. Μόνο εκεί θα αντικατασταθεί το ελαττωματικό εξάρτημα με γνήσιο ανταλλακτικό. Εάν η προϋπόθεση αυτή δεν τηρείται, η ασφάλεια της συσκευής μπορεί να ελαττωθεί.
- Αν αποφασίσετε να σταματήσετε να χρησιμοποιείτε τη συσκευή αυτού του τύπου, συνιστάται να καταστεί άχρηστο καθώς κόψετε το καλώδιο, αφού το έχετε αποσυνδεθεί από το δίκτυο. Συνιστάται ακόμα να προστατευθείτε από όλους τους κινδύνους που συνδέονται με τη συσκευή, ειδικά για χάριν των παιδιών που θα μπορούσαν να χρησιμοποιήσουν την παλιά συσκευή ως παιχνίδι.
- Ποτέ μην αφήνετε τη συσκευή άσκοπα αναμμένη. Να την αποσυνδέετε από την πρίζα όταν δεν θα τη χρησιμοποιείτε για μεγάλο χρονικό διάστημα.
- Η συσκευή δεν πρέπει να τοποθετείται ακριβώς κάτω από σταθερή πρίζα!
- **Προσοχή!** Μην χρησιμοποιείτε τη συσκευή με έναν προγραμματιστή, χρονοδιακόπτη ή οποιαδήποτε άλλη συσκευή που την ανάβει αυτόματα, εφόσον υπάρχει κίνδυνος πυρκαγιάς εάν η συσκευή καλύπτεται ή είναι λανθασμένα τοποθετημένη.
- Τοποθετείτε το καλώδιο τροφοδοσίας έτσι ώστε να μην εμποδίζει το ελεύθερο πέρασμα των προσώπων και να μην πατιέται! Χρησιμοποιείτε μόνο συγκεκριμένα καλώδια τροφοδοσίας (πολυπρίζο), κατάλληλα για την συσκευή, δηλ. που έχουν σήμα πιστότητας
- Ποτέ μην μετακινείτε τη συσκευή καθώς την τραβάτε από το καλώδιο και μην χρησιμοποιείτε το καλώδιο για να μεταφέρετε αντικείμενα!
- Μην λυγίζετε το καλώδιο ρεύματος και κρατάτε το

μακριά από αιχμηρές άκρες. Μην τοποθετείτε τη συσκευή πάνω σε ζεστές επιφάνειες ή γυμνές φλόγες.

- Ποτέ μη χρησιμοποιείτε αυτή τη συσκευή σε άμεση γειτνίαση με μπάνιο, ντους ή πισίνα!

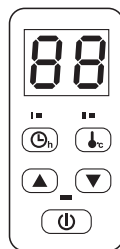
### ΣΥΣΚΕΥΑΣΙΑ

- Μετά την αφαίρεση της συσκευασίας, βεβαιωθείτε ότι η συσκευή δεν έχει υποστεί βλάβη κατά τη μεταφορά και εάν είναι πλήρως εξοπλισμένη. Σε περίπτωση ελλιπούς παράδοσης ή ελαττώματος, επικοινωνήστε με τον εξουσιοδοτημένο πωλητή Σας!
- Μην πετάτε τη γνήσια αρχική συσκευασία! Αυτή θα μπορούσε να χρησιμοποιηθεί για την αποθήκευση και τη μεταφορά για την αποφυγή ζημιών κατά τη μεταφορά!
- Απορρίψτε το υλικό συσκευασίας του προϊόντος με οικολογικά υπεύθυνο τρόπο! Μην επιτρέπετε στα παιδιά να παίζουν με πλαστικές σακούλες!


### ΕΓΚΑΤΑΣΤΑΣΗ ΚΑΙ ΧΡΗΣΙΜΟΠΟΙΗΣΗ ΤΗΣ ΣΥΣΚΕΥΗΣ

Πριν ενεργοποιήσετε το θερμαντικό πάνελ Convector σας:

- Πριν συνδέσετε τον θερμοπομπό στο ηλεκτρικό δίκτυο τροφοδοσίας, τοποθετήστε τον σε σωστή θέση λειτουργίας.
- Επιλέξτε μια κατάλληλη θέση για την τοποθέτηση της συσκευής, λαμβάνοντας υπόψη τις οδηγίες ασφαλείας.
- Η συσκευή έχει ισχύ «I» για τη ρύθμιση ισχύος 1000W, «II» για τη ρύθμιση ισχύος 2000W. Η συνολική μέγιστη ισχύς όταν ενεργοποιηθούν και οι δύο επιλογές ρυθμίσεων είναι 2000W



- Η συσκευή έχει ηλεκτρονικό ρυθμιστή. Για να ενεργοποιήσετε τη συσκευή, πατήστε το κουμπί ενεργοποίησης . Όταν ενεργοποιήσετε το convector θα ανάψει η ενδεικτική λυχνία για να δείξει πως η ισχύς είναι στο πρώτο βαθμό (I). Για να ενεργοποιήσετε και το δεύτερο βαθμό, πατήστε το κουμπί μια φορά. Πατώντας κάποιο από τα κουμπιά ή μπορείτε να αλλάξετε την ισχύ στην οποία λειτουργεί το convector.
- Για να ρυθμίσετε την επιθυμητή θερμοκρασία, που θέλετε να διατηρηθεί ο θερμοπομπός θα πρέπει να πατήσετε το κουμπί με ένδειξη ένα θερμομότρο κι έπειτα πατώντας κάποιο από τα πλήκτρα ή θα μπορείτε να αλλάξετε τη θερμοκρασία (15°-32°). Το σύμβολο του θερμομέτρου θα ανάψει και στην ψηφιακή οθόνη θα εμφανιστεί η καθορισμένη θερμοκρασία. Μετά από 6 δευτερόλεπτα, η οθόνη θα σταματήσει να αναβοσβήνει και θα εμφανίσει τη θερμοκρασία του δωματίου.

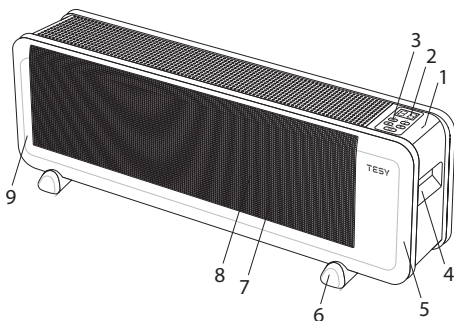
- Για να ρυθμίσετε το χρονοδιακόπτη, πατήστε το πλήκτρο , και τότε θα ανάψει η ένδειξη του ρολογιού. Με τα πλήκτρα "▲" ή "▼" ορίστε τον αριθμό των ωρών κατά τις οποίες η συσκευή θα λειτουργεί και έπειτα θα απενεργοποιηθεί αυτόματα.
- Οι πιθανοί βαθμοί λειτουργίας παρουσιάζονται ενδεικτικά.

### ΜΕΤΑΚΙΝΗΣΗ ΤΟΥ CONVECTOR:

Σε περίπτωση μετακίνησης του convector, σβήστε μέσω του διακόπτη, αποσυνδέστε το καλώδιο τροφοδοσίας από την πρίζα και πιάνοντας τη συσκευή με δύο χέρια, μετακινήστε την στη νέα θέση. Η μετακίνηση του convector πρέπει να γίνει αφού πρώτα έχει ψυχθεί. Η μετακίνηση του convector με θερμή επιφάνεια μπορεί να οδηγήσει σε ανεπιθύμητες συνέπειες για τον χρήστη, όπως έγκαυμα ή εισχώρηση εύφλεκτων υλικών στο convector κατά τη διάρκεια της μετακίνησής του.

### ΠΕΡΙΓΡΑΦΗ ΤΗΣ ΜΟΝΑΔΑΣ

1. Ενδεικτική λυχνία
2. Ψηφιακή οθόνη
3. Χρονοδιακόπτης
4. Λαβές
5. Δεξιά πλευρά του convector
6. Πόδια στήριξης
7. Θερμικό στοιχείο MICA
8. Προστατευτική γρίλια
9. Αριστερή πλευρά του convector



### ΕΝΣΩΜΑΤΩΜΕΝΗ ΑΣΦΑΛΕΙΑ ΚΛΕΙΣΙΜΑΤΟΣ ΣΕ ΠΕΡΙΠΤΩΣΗ ΑΝΑΤΡΟΠΗΣ ΤΗΣ ΣΥΣΚΕΥΗΣ

Ο θερμοπομπός διαθέτει αυτόματα ασφάλεια κλεισίματος και σε περίπτωση που η συσκευή ανατραπεί, η παροχή ρεύματος θα διακοπεί. Αφήστε το convector λίγο χρόνο για να ψυχθεί και στη συνέχεια πρέπει να το επαναφέρετε σε κατακόρυφη θέση. Η κανονική λειτουργία του θα αποκατασταθεί.

### ΑΥΤΟΜΑΤΗ ΔΙΑΚΟΠΗ ΛΕΙΤΟΥΡΓΙΑΣ

Ο θερμοπομπός διαθέτει ενσωματωμένο θερμικό σύστημα ασφαλείας (αυτορυθμιζόμενο θερμοστάτη) που σβήνει αυτόματα τη συσκευή σε περίπτωση τυχαίας υπερθέρμανσης. Η λειτουργία θα αποκατασταθεί αφού η συσκευή έχει κρυώσει.



### Σημαντικό!

Κατά την πρώτη χρήση, μπορεί να αισθανθείτε μια χαρακτηριστική οσμή. Το φαινόμενο αυτό είναι κανονικό όταν η συσκευή τίθεται για πρώτη φορά στη λειτουργία. Βεβαιωθείτε ότι ο θερμοπομπός τοποθετήθηκε σε καλά αεριζόμενο χώρο και αφήστε τον να λειτουργεί μέχρι η μυρωδιά να εξαφανιστεί. Είναι απόλυτα φυσιολογικό να ακούγονται «τριξίματα» ενώ το convector θερμαίνεται. Αυτό είναι φυσιολογικό και ο θερμοπομπός λειτουργεί κανονικά. Αυτός ο θόρυβος θα εξαφανιστεί μόλις ζεσταθεί ο θερμοπομπός.

### ΚΑΘΑΡΙΣΜΟΣ

- Υποχρεωτικά πρώτα απενεργοποιήστε τον θερμοπομπό από τον διακόπτη και βγάλτε το φις από την πρίζα στον τοίχο. Πριν αρχίσετε να καθαρίσετε τον θερμοπομπό, αφήστε τον να κρυώσει καθώς τον αποσυνδέετε από την πρίζα.
- Καθαρίστε το θερμαντικό σώμα με μαλακό υγρό πανί, ηλεκτρική σκούπα ή βούρτσα.
- Ποτέ μην βυθίζετε τη συσκευή σε νερό – υπάρχει κίνδυνος για τη ζωή λόγω ηλεκτροπληξίας.
- Ποτέ μη χρησιμοποιείτε βενζίνη, διαλυτικό ή άλλα σκληρά λειαντικά προϊόντα καθαρισμού, γιατί θα προκαλέσετε ζημιά στο περίβλημα της συσκευής.

### ΑΠΟΘΗΚΕΥΣΗ

- Πριν να αποθηκεύσετε τον θερμοπομπό, αφήστε τον να κρυώσει καθώς τον αποσυνδέετε από την πρίζα.
- Χρησιμοποιήστε τη γνήσια συσκευασία για την αποθήκευση του θερμοπομπού, εάν ο ίδιος δεν θα χρησιμοποιείται για αρκετό χρονικό διάστημα. Το προϊόν προστατεύεται από την σκόνη και βρωμιά, καθώς φυλάσσεται στη γνήσια του συσκευασία.
- Αποθηκεύστε την συσκευή στη συσκευασία της μόνον αφού κρυώσει εντελώς!
- Το προϊόν πρέπει να φυλάσσεται σε ξηρή θέση, προστατευμένη από την άμεση ηλιακή ακτινοβολία.
- Απαγορεύεται ρητά την αποθήκευση του θερμοπομπού σε νοτισμένους ή υγρούς χώρους.

### ΚΑΤΑΛΟΓΟΣ ΣΥΣΚΕΥΑΣΙΑΣ:

Θερμοπομπός	1 τεμάχιο
Πόδια στήριξης	2 τεμάχια
Εγχειρίδιο χρήσης	1 τεμάχιο
Κάρτα εγγύησης	1 τεμάχιο

### ΤΕΧΝΙΚΕΣ ΠΡΟΔΙΑΓΡΑΦΕΣ ΤΗΣ ΜΟΝΑΔΑΣ:

Μοντέλο	Ονομαστική Ισχύς	Ονομαστική Τάση	Ονομαστική συχνότητα
MC2013	2000W	220-240V~	50Hz



**Προσοχή: Για να αποφευχθεί η υπερθέρμανση, μην καλύπτετε τη συσκευή!**



### Περιβαλλοντικές απαιτήσεις

Οι παλιές συσκευές περιέχουν πολύτιμα υλικά και συνελπίς δεν πρέπει να απορριπτούν μαζί με τα σκουπίδια των νοικοκυριών! Σας παρακαλούμε να συνεργαστείτε με την ενεργό Σας συμβολή στην προστασία του Περιβάλλοντος και να παρέχετε τη συσκευή στους οργανωμένους σταθμούς παράδοσης (εάν υπάρχουν τέτοιοι).



**ΠΙΝΑΚΑΣ 2 ΑΠΑΙΤΗΣΕΙΣ ΠΛΗΡΟΦΟΡΗΣΗΣ ΓΙΑ ΗΛΕΚΤΡΙΚΟΥΣ ΤΟΠΙΚΟΥΣ ΘΕΡΜΑΝΤΗΡΕΣ ΧΩΡΟΥ**
**Αναγνωριστικό(-ά) μοντέλου:** MC-2013/HV2001D

**GR**

Χαρακτηριστικό	Σύμβολο	"Αριθμητική τιμή 1"	Μονάδα	Χαρακτηριστικό	Μονάδα
Θερμική ισχύς				Είδος θερμικής ισχύος μόνον στην περίπτωση των ηλεκτρικών τοπικών θερμοσυσσωρευτών (να επιλεγεί μία δυνατότητα)	
"Ονομαστική θερμική ισχύς"	$P_{nom}$	2.0	kW	χειροκίνητος ρυθμιστής θερμικού φορτίου με ενσωματωμένο θερμοστάτη	[όχι]
"Ελάχιστη θερμική ισχύς (ενδεικτική)"	$P_{min}$	0.0	kW	"χειροκίνητος ρυθμιστής θερμικού φορτίου με ανάδραση θερμοκρασίας δωματίου και/ή θερμοκρασίας εξωτερικού χώρου"	[όχι]
"Μέγιστη συνεχής θερμική ισχύς"	$P_{max,C}$	1.948	kW	ηλεκτρονικός ρυθμιστής θερμικού φορτίου με ανάδραση θερμοκρασίας δωματίου ή/και θερμοκρασίας εξωτερικού χώρου	[όχι]
"Βοηθητική κατανάλωση ηλεκτρικής ενέργειας"				παραγωγή θερμότητας υποβοηθούμενη από ανεμιστήρα	[όχι]
"στην ονομαστική θερμική ισχύ"	$e_{lmax}$	N/A	kW	<b>Είδος θερμικής ισχύος/ρυθμιστή θερμοκρασίας δωματίου (να επιλεγεί μια δυνατότητα)</b>	
"στην ελάχιστη θερμική ισχύ"	$e_{lmin}$	N/A	kW	μονοβάθμια θερμική ισχύς και χωρίς ρυθμιστή θερμοκρασίας δωματίου	[όχι]
σε κατάσταση αναμονής	$e_{lSB}$	0.000516	kW	"δύο ή περισσότερες χειροκίνητες βαθμίδες χωρίς ρυθμιστή θερμοκρασίας δωματίου"	[όχι]
				"δύο ή περισσότερες χειροκίνητες βαθμίδες χωρίς ρυθμιστή θερμοκρασίας δωματίου"	[όχι]
				με ηλεκτρονικό ρυθμιστή θερμοκρασίας δωματίου	[ναι]
				"με ηλεκτρονικό ρυθμιστή θερμοκρασίας δωματίου και χρονοδιακόπτη ημέρας"	[όχι]
				"με ηλεκτρονικό ρυθμιστή θερμοκρασίας δωματίου και χρονοδιακόπτη εβδομάδας"	[όχι]
				<b>Άλλες δυνατότητες ρύθμισης (επιτρέπονται πολλές επιλογές)</b>	
				ρυθμιστής θερμοκρασίας δωματίου με ανιχνευτή παρουσίας	[όχι]
				"ρυθμιστής θερμοκρασίας δωματίου με ανιχνευτή ανοιχτού παραθύρου"	[όχι]
				με δυνατότητα ρύθμισης εξ αποστάσεως	[όχι]
				με ρυθμιστή προσαρμοζόμενης εκκίνησης	[όχι]
				με περιορισμό διάρκειας λειτουργίας	[όχι]
				με αισθητήρα θερμομέτρου μελανής σφαίρας	[όχι]

TESY Ltd - Head office  
 1166 Sofia, Sofia Park,  
 Building 16V, Office 2.1. 2nd Floor  
 PHONE: +359 2 902 6666,  
 FAX: +359 2 902 6660,  
 office@tesy.com



*Antes de su uso lea atentamente estas instrucciones y guárdelas para consultas futuras. ¡En caso de entregar este aparato a otro propietario, entregue también las instrucciones!*

Le agradecemos por elegir calentador de convección MC 2013. Es un aparato de calefacción durante el invierno según las necesidades de alcanzar una

temperatura agradable en la habitación. Si lo usa y mantiene de una manera correcta según las instrucciones, su aparato funcionará muchos años.

#### **PRECAUCIONES IMPORTANTES E INSTRUCCIONES DE SEGURIDAD:**

- Antes de conectar el aparato a la red eléctrica debe asegurarse de que el voltaje del suministro corresponde al indicado en la placa de características.



*Niños de menos de 3 años de edad no deben estar cerca del aparato sin supervisión permanente.*

*Niños de entre 3 y 8 años de edad pueden utilizar solamente el interruptor de encendido/apagado, a condición que el aparato esté instalado correctamente y esté listo para un funcionamiento normal, si tengan instrucciones para un uso seguro del aparato y entiendan el riesgo.*

*Niños de entre 3 y 8 años de edad no deben conectar el aparato a la red eléctrica, no deben ajustarlo, limpiarlo o ejercer un mantenimiento.*

*Niños mayores de 8 años y personas con minusvalías físicas o mentales, tal como personas sin conocimientos y experiencia necesarios no deben usar el aparato sin supervisión o sin instrucciones de un uso seguro del aparato y si no entiendan el riesgo. Los niños no deben jugar con el aparato. Los niños no deben limpiar el aparato sin supervisión.*



*¡ATENCIÓN! Algunas partes del aparato se pueden calentar durante su uso y causar quemaduras a los usuarios. Se necesita supervisión permanente si en la habitación donde está el aparato, hay niños o personas con minusvalías físicas o mentales.*

- No use el aparato para otro propósito que el previsto. Este aparato está previsto solamente para calentar viviendas. No está previsto para uso industrial o comercial. Cada uso diferente se considera como inadecuado y por lo tanto peligroso. El fabricante declina cualquier responsabilidad por los daños derivados de un uso incorrecto e imprudente del aparato. ¡La garantía no tendrá validez en caso de incumplimiento de estas instrucciones de seguridad!
- No salga de la vivienda mientras el aparato está encendido: verifique que lo ha apagado antes de salir. Siempre desenchufe el aparato de la red eléctrica cuando no vaya a usarlo.
- Guarde el aparato a una distancia de 100 cm. como mínimo de objetos inflamables como muebles, almohadas, sábanas, papel, ropa, cortinas, etc.
- No use el aparato en zonas donde se usan o guardan sustancias inflamables. No lo use en zonas donde hay gases inflamables o aerosoles. ¡Existe un riesgo muy grande de explosión o incendio!
- Evite la entrada de cuerpos extraños en las aberturas de ventilación, ya que esto puede causar una descarga eléctrica, incendio o daños al producto.
- ¡El aparato no es apropiado para criar animales y está previsto solamente para uso doméstico!
- No ponga objetos ningunos en la entrada y la salida de la corriente del aire a una distancia de 1 m en frente de y detrás del aparato como mínimo.
- La razón más común de recalentamiento es la acumulación de polvo en el aparato. Limpia las rejillas del aparato con una aspiradora regularmente

después de que haya lo desenchufado de la red eléctrica.

- ¡Nunca toque el aparato con manos mojados u húmedos – existe riesgo para la vida!
- ¡El enchufe debe ser siempre alcanzable para que se pueda desenchufar el aparato si se necesita lo más rápido posible! No estire el cable de alimentación o el aparato cuando lo desenchufa.
- ¡ATENCIÓN! El aire que sale mientras el aparato funciona es caliente (puede llegar a más que 100°C).
- En caso de que el cable de alimentación esté dañado póngase en contacto con el proveedor o con el vendedor para instrucciones.
- Para evitar recalentamiento no cubra el aparato.
- En caso de mal funcionamiento de este aparato, desconéctelo y no intente repararlo. Para cada tipo de reparación póngase en contacto con el servicio técnico oficial más cercano, donde sustituirán la pieza defectuosa con una original. El incumplimiento de estas instrucciones podría comprometer la seguridad del aparato.
- En caso de que no desee usar más un aparato de este tipo, le recomendamos que lo desconecte de la red eléctrica y corte el cable de alimentación para hacer el aparato inútil. Tome medidas para preservar de daños a los niños que podrían utilizar el aparato amortizado para juegos.
- No deje el aparato encendido cuando no lo necesita. Siempre desenchufe el aparato de la red eléctrica cuando no vaya a usarlo.
- ¡No ponga el aparato inmediatamente debajo de un enchufe!
- ¡ATENCIÓN! No use el aparato con un programador, contador u otro aparato para encenderlo automáticamente porque esto puede causar incendio si el aparato está cubierto o incorrectamente puesto.
- ¡Coloque el cable de alimentación de manera que no obstaculice el movimiento de personas en la habitación y que ellos no pisen sobre él! ¡Utilice solamente prolongadores autorizados, es decir que tienen un símbolo de homologación!
- ¡Para desplazar el aparato nunca lo haga estirando del cable de alimentación y no utilice el cable para transportar objetos!
- ¡No doble el cable de alimentación, ni lo introduzca en aberturas con bordes cortantes! ¡No deje el cable de alimentación en contacto con superficies calientes o con un fuego!
- ¡No use el aparato en la cercanía inmediata de baños, cabinas de ducha o piscinas!

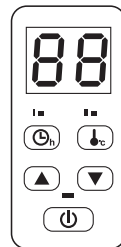
## EMBALAJE

- ¡Después de desembalar el aparato, verifique si todas las partes están dentro y si éste había sufrido algún daño! ¡Si verifique algún daño o falta de partes, contacte el vendedor!
- ¡No tire la caja original para el caso de que desee guardar o mover el aparato posteriormente sin riesgo de dañarlo!
- ¡Tire los materiales de embalaje en los sitios indicados! ¡Mantenga las bolsas de polietileno fuera del alcance de niños!

## MONTAJE Y USO DEL APARATO

Antes de encender su calentador de convección panel

- Ponga el calentador en la posición correcta antes de enchufarlo en la red eléctrica
- Elija un sitio apropiado para poner el calentador según las instrucciones de seguridad
- Potencia del aparato. „I” corresponde a 1000W, „II” corresponde a 2000W. La potencia total máxima cuando enciende los dos botones es 2000W



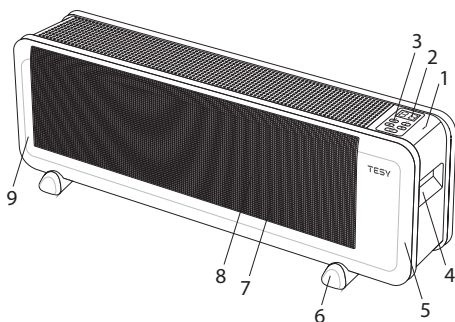
- El aparato tiene regulador electrónico. Para encenderlo pulse el botón . Después el indicador se iluminará e indicará que el calentador funciona a nivel I. Para encender el nivel II, pulse el . una vez. Pulsando los botones o cambia la potencia del calentador.
- Para elegir la temperatura deseada debe pulsar el botón con una imagen de termómetro. Después pulsando los botones o cambiará la temperatura (15°-32°). El símbolo del termómetro se iluminará y la pantalla digital indicará la temperatura elegida. En 6 segundos la pantalla dejará de parpadear e indicará la temperatura de la habitación.
- Para encender el temporizador pulse el botón . Después se encenderá el reloj. Pulsando los botones o elija el número de horas cuando funcionará el aparato y después éste se apagará automáticamente.
- Los niveles posibles están indicados.

## DESPLAZAR EL APARATO:

Si es necesario desplazar el aparato, desenchúfelo y toma las manijas para moverlo. Debe asegurarse que el aparato se ha enfriado porque mover un aparato caliente puede llevar consecuencias indeseables para el usuario como quemaduras o la presencia de objetos inflamables sobre el calentador durante su desplazamiento.

## PARTES DEL APARATO:

1. Indicador
2. Pantalla digital
3. Temporizador
4. Manijas
5. Parte derecha del calentador
6. Pies
7. Resistencia calentadora tipo MICA
8. Rejilla protectora
9. Parte izquierda del calentador



## INTERRUPTOR INTEGRADO EN CASO DE VOLCAMIENTO (CAÍDA)

El calentador tiene un interruptor integrado contra volcamiento. Si éste sufre un caso de volcamiento, se ejercerá una interrupción del suministro de la tensión. Deje que el aparato se enfríe por un tiempo y después póngalo en su posición habitual. El aparato continuará a funcionar normalmente.

## INTERRUPCIÓN AUTOMÁTICA DE SEGURIDAD

El calentador tiene un termostato integrado que se enciende y apaga el aparato automáticamente en caso de recalentamiento y después enciende el aparato de nuevo cuando éste se haya enfriado.



### ¡Atención!

La primera vez que enchufa el aparato es posible que éste emita algún olor. Es una cosa normal para el periodo inicial de su uso. Verifique que el calentador está puesto en una habitación bien ventilada y déjelo funcionar hasta que el olor desaparezca.

También es posible oír un ruido específico parecido a un chasquido mientras el calentador se está calentando. Es una cosa normal y el calentador funciona normalmente. Cuando el aparato se haya calentado, el ruido desaparecerá.

## LIMPIEZA

- Apague el calentador, desenchufe el aparato de la red eléctrica cuando lo va a limpiar.
- Limpie el cuerpo del aparato con un paño ligeramente húmedo, una aspiradora u un cepillo.
- ¡Para evitar el riesgo de una descarga eléctrica, no sumerja el calentador en agua!
- Nunca use bencina, disolvente o productos abrasivos para limpiar el aparato.

## CÓMO GUARDAR EL APARATO

- Desenchufe el calentador cuando no vaya a usarlo.
- Use la caja original para guardar el calentador cuando no vaya a usarlo. Así lo protegerá de polvo y suciedad sobrante.
- ¡No ponga el aparato en su caja cuando está caliente!
- Guarde el aparato en un espacio seco sin acceso directo de la luz solar.
- Está prohibido guardar el aparato en espacios húmedos.

## CONTENIDOS DE LA CAJA:

Calentador de convección	1
Pies	2 (izquierdo y derecho)
Instrucciones	1
Carta de garantía	1

## CARACTERÍSTICAS TÉCNICAS DEL APARATO:

Modelo	Potencia Nominal	Tensión Nominal	Frecuencia Nominal
MC2013	2000W	220-240V~	50Hz



**¡Atención! ¡Para evitar recalentamiento no cubra el aparato!**



### Indicaciones para protección medioambiental


¡Los electrodomésticos viejos contienen materiales valiosos y no se deben tirar con la basura habitual del hogar! Le pedimos que proteja los recursos y el medio ambiente y lleve su electrodoméstico viejo a los centros de reciclaje (si existen).

## CUADRO 2 REQUISITOS DE INFORMACIÓN QUE DEBEN CUMPLIR LOS APARATOS DE CALEFACCIÓN LOCAL ELÉCTRICOS

Identificador(es) del modelo: MC-2013/HV2001D

Partida	Símbolo	Valor1.	Unidad	Partida	Unidad
Potencia calorífica				Tipo de aportación de calor, únicamente para los aparatos de calefacción local eléctricos de acumulación (seleccione uno)	
Potencia calorífica nominal	$P_{nom}$	2.0	kW	control manual de la carga de calor, con termostato integrado	[no]
Potencia calorífica mínima (indicativa)	$P_{min}$	0.0	kW	control manual de la carga de calor con respuesta a la temperatura interior o exterior	[no]
Potencia calorífica máxima continuada	$P_{max,C}$	1.948	kW	control electrónico de la carga de calor con respuesta a la temperatura interior o exterior	[no]
Consumo auxiliar de electricidad				potencia calorífica asistida por ventiladores	[no]
A potencia calorífica nominal	$e_{l,max}$	N/A	kW	<b>Tipo de control de potencia calorífica/de temperatura interior (seleccione uno)</b>	
A potencia calorífica mínima	$e_{l,min}$	N/A	kW	potencia calorífica de un solo nivel, sin control de temperatura interior	[no]
En modo de espera	$e_{l,SB}$	0.000516	kW	Dos o más niveles manuales, sin control de temperatura interior	[no]
				con control de temperatura interior mediante termostato mecánico	[no]
				con control electrónico de temperatura interior	[sí]
				control electrónico de temperatura interior y temporizador diario	[no]
				control electrónico de temperatura interior y temporizador semanal	[no]
				<b>Otras opciones de control (pueden seleccionarse varias)</b>	
				control de temperatura interior con detección de presencia	[no]
				control de temperatura interior con detección de ventanas abiertas	[no]
				con opción de control a distancia	[no]
				con control de puesta en marcha adaptable	[no]
				con limitación de tiempo de funcionamiento	[no]
				con sensor de lámpara negra	[no]

TESY Ltd - Head office  
 1166 Sofía, Sofía Park,  
 Building 16V, Office 2.1. 2nd Floor  
 PHONE: +359 2 902 6666,  
 FAX: +359 2 902 6660,  
 office@tesy.com


 *Antes de utilizar este aparelho, leia o presente manual e guarde-o para futuras consultas. No caso de mudança do proprietário, o aparelho deve ser entregue acompanhado do manual do utilizador.*

Obrigado por ter escolhido o aquecedor elétrico de convecção MC 2013. É um aparelho que proporciona durante a época de Inverno um aquecimento conforme as necessidades para manter uma temperatura confortável

na divisão aquecida. Optando por uma utilização correta e cuidados adequados conforme as instruções dadas neste manual do utilizador, aumentará a vida útil do aparelho.

#### **PRECAUÇÕES IMPORTANTES E INSTRUÇÕES DE SEGURANÇA:**


- Antes de ligar o aparelho, certifique-se de que a voltagem indicada na placa do aparelho corresponde à voltagem da rede elétrica em casa.

 *As crianças com menos de 3 anos não devem aproximar-se do aparelho exceto se estiverem sob vigilância constante.*

*Crianças entre os 3 e 8 anos de idade só podem utilizar o botão ligar/desligar do aparelho, caso este último esteja montado e pronto para funcionar normalmente e as crianças sejam vigiadas ou instruídas para o uso em segurança do aparelho e compreendam os riscos potenciais.*

*Não é permitido ligar à corrente, configurar, limpar ou efetuar qualquer manutenção por crianças de 3 a 8 anos.*

*Este aparelho pode ser utilizado por crianças maiores de 8 anos de idade ou por pessoas com capacidades físicas, sensoriais ou mentais reduzidas ou com experiência e conhecimentos considerados insuficientes, quando estão supervisionadas ou tenham recebido instrução sobre a utilização em segurança do aparelho e compreendem os riscos. As crianças não devem brincar com o aparelho. As crianças quando não são acompanhadas não devem limpar ou efetuar qualquer manutenção do aparelho.*

 **ATENÇÃO:** *Algumas partes deste produto podem ficar muito quentes e causar queimaduras. Na presença de crianças ou pessoas vulneráveis deve ser prestada especial atenção com o aparelho.*

- Este aparelho deve ser utilizado para o fim a que se destina e para o qual foi concebido, i.e. aquecer compartimentos de habitação. O aparelho não se destina a aquecer estabelecimentos comerciais. Qualquer uso diferente será considerado incorreto e por conseguinte perigoso. O fabricante não assume responsabilidade por danos decorrentes de uso impróprio e insensato. A negligência das informações de segurança torna inválida a garantia do aparelho!
- Ao sair de casa, não deixe o aparelho ligado: certifique-se de que a chave está em posição desligada. Desligue sempre o aparelho da tomada.
- Deve manter os objetos facilmente incendiáveis tais como móveis, almofadas, lençóis, papel, roupa, cortinados, etc., a uma distância de pelo menos 100 cm do aquecedor elétrico.
- Não utilize o aparelho em zonas onde são utilizadas ou armazenadas substâncias inflamáveis. Não utilize o aparelho em zonas com atmosferas inflamáveis (por exemplo: em proximidade de gases ou aerossóis inflamáveis), porque existe um grande risco de explosão ou incêndio!
- Não insira nem coloque qualquer objeto nos orifícios de ventilação (na entrada ou saída), visto que tal ação pode causar choque elétrico, incêndio ou danificar o aparelho.
- O aparelho não é apropriado a ser utilizado em compartimentos onde se criam animais, sendo o mesmo destinado somente para uso doméstico!
- Certifique-se de que a entrada e a saída de fluxo de ar não são obstruídas por objetos: pelo menos a uma distância de 1 m a frente e 1 m atrás do aquecedor de convecção.



- A razão mais frequente de sobreaquecimento é a acumulação de musgo ou pó no aparelho. Limpe regularmente com o aspirador os orifícios de ventilação, sendo obrigatório desligar o aparelho da tomada antes de limpá-lo.
- Nunca toque no aparelho de mãos molhadas ou húmidas – existe perigo de morte!
- A tomada deve ser acessível a todo o momento para que a ficha fêmea seja tirada o mais rápido possível em caso de emergência! Nunca puxe o cabo de alimentação ou o próprio aparelho ao desligá-lo da rede.
- Preste atenção! A saída de ar fica quente durante o funcionamento (acima de 100°C).
- Se o cabo deste aparelho estiver danificado, pare de utilizar o aparelho e entre em contato com o fornecedor/vendedor para obter instruções complementares.
- Não cubra o aparelho. Caso esteja coberto existe um risco de sobreaquecimento.
- Se o aparelho não estiver a funcionar como deve ser, desligue-o, mas não o repare. Se precisar de reparação, entre em contato com o Centro de Assistência Técnica para suporte pós-venda. Nesse centro a peça defeituosa será substituída por outra peça original. O desrespeito desta condição compromete a segurança do aparelho.
- Se decidir deixar de utilizar este tipo de aparelho, recomendamos que o torne inutilizável cortando o fio depois de ter desligado o aparelho da rede. Recomendamos igualmente que tome as medidas de precaução necessárias para não permitir que, especialmente, as crianças brinquem com um dispositivo (aparelho) amortizado.
- Nunca deixe o aparelho desnecessariamente ligado. Desligue o aparelho da rede de alimentação quando tencionar não utilizar o aparelho durante muito tempo.
- Nunca coloque o aparelho diretamente abaixo da caixa da tomada!
- Atenção: Nunca utilize este aparelho com programador, contador ou outro aparelho que o liga automaticamente porque se o aparelho estiver coberto ou incorretamente colocado, existe um perigo de incêndio.
- Coloque o cabo de alimentação de forma a não incomodar e obstruir a passagem de pessoas e não ser pisado! Utilize somente extensões aprovadas e apropriadas para o aparelho, i.e. munidas da marca de conformidade!
- Nunca desloque o aparelho puxando-o pelo cabo bem como não utilize o cabo para o transporte de objetos!
- Não dobre o cabo, não o arraste por cantos agudos e não o coloque por cima de placas quentes ou fogo aberto!
- Nunca utilize o aparelho em proximidade de casas de banho, duches ou piscinas!

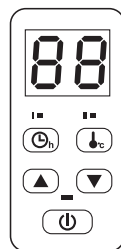
## EMBALAGEM

- Depois de tirar o aparelho da embalagem, certifique-se de que este não ficou danificado durante o transporte e todos os componentes estão presentes! Se constatar qualquer dano ou entrega incompleta, entre em contato com o vendedor autorizado!
- Não deite fora a caixa de embalagem original! Guarde a embalagem original para armazenamento futuro ou transporte a fim de evitar danos de transporte!
- Deite fora o material de embalagem de forma apropriada! As crianças não devem brincar com sacos de polietileno!

## INSTALAÇÃO E UTILIZAÇÃO DO APARELHO

Antes de ligar o painel aquecedor de convecção

- Coloque o aquecedor na posição correta de funcionamento antes de o ligar à rede elétrica
- Escolha o lugar adequado para o aparelho tendo em conta as instruções de segurança
- O aparelho tem potência „I” para 1000W, “II” para 2000W. Ligando as duas potências, a potência máxima total é de 2000W



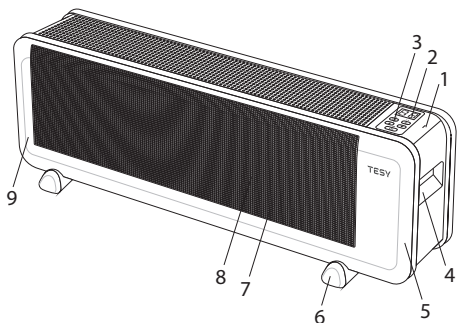
- O aparelho está equipado com regulador elétrico. Para ligar o aparelho carregue no botão de ligação . Depois de ligar o aquecedor, o indicador luminoso fica aceso o que é um sinal de que o aquecedor está a trabalhar na 1ª opção. Para ligar a segunda opção, carregue uma vez no botão . Ao carregar num dos botões ou altera a potência em que o aquecedor está a trabalhar.
- Para configurar a temperatura que deseja que o aparelho mantenha na divisão, carregue no botão com a imagem de termómetro, depois carregando no botão ou pode alterar a temperatura indicada (15°-32°). O símbolo do termómetro fica aceso e o ecrã digital indica a temperatura configurada. Passados 6 segundos o ecrã deixará de piscar, indicando a temperatura na divisão.
- Para configurar o temporizador carregue no botão para que o relógio fique ligado. Com os botões ou configure o número das horas durante as quais o aparelho estará em funcionamento para depois automaticamente passar a estado desligado.
- As possíveis opções dos níveis estão indicadas a título de informação.

## DESLOCAÇÃO DO APARELHO:

Se for necessário deslocar o aparelho, desligue a chave, tire o cabo da tomada e segure com as duas mãos o aparelho para o colocar no novo sítio, sendo preciso fazer a deslocação enquanto o aquecedor estiver frio (arrefecido). A deslocação de um aparelho ainda quente pode ter consequências indesejáveis para o utilizador, nomeadamente queimaduras ou quedas de materiais inflamáveis sobre o aquecedor durante a sua deslocação.

## DESCRIÇÃO DO APARELHO:

1. Indicador luminoso
2. Ecrã digital
3. Temporizador
4. Manípulos
5. Parte lateral direita do aquecedor
6. Pés
7. aquecedor MICA
8. Grelha protetora
9. Parte lateral esquerda do aquecedor



## SENSOR INCORPORADO DE ANTI-QUEDA

O aquecedor vem equipado de um sensor incorporado anti-queda. Caso o aquecedor caia, a alimentação será cortada. Deixe o aparelho durante algum tempo para arrefecer e volte a colocá-lo na posição certa. Ele voltará a funcionar normalmente.

## DESLIGAÇÃO AUTOMÁTICA PARA PROTEÇÃO

No aquecedor existe um dispositivo incorporado (termorregulador autoajustável), que se liga e desliga automaticamente no caso de sobreaquecimento e é ajustável no caso de arrefecimento da temperatura do aparelho.



### Importante!

É provável que sinta um cheiro específico ao ligar pela primeira vez o aparelho. Isto é normal durante o período inicial de funcionamento. Certifique-se de que o aquecedor está colocado numa divisão bem arejada e deixe-o a funcionar enquanto o cheiro desaparecer.

Pode ouvir um ruído específico que faz lembrar um estaladiço, enquanto o aquecedor estiver a aquecer. Isto é normal e o aquecedor trabalha em regime normal. Logo que o aquecedor fique aquecido, este barulho desaparece.

## LIMPEZA

- Em primeiro lugar é obrigatório carregar no botão para desligar o aparelho e tirar a ficha da tomada. Antes de começar a limpar o aquecedor, deixe-o a arrefecer desligando-o da tomada.
- Limpe o corpo com pano húmido, aspirador ou escova.
- Nunca coloque o aparelho em água – existe perigo de morte devido a choque elétrico!
- Nunca utilize gasolina, diluente ou produtos abrasivos para limpar o aparelho, porque podem danificar o revestimento do aparelho.

## ARMAZENAMENTO

- Antes de guardar o aquecedor, deixe-o arrefecer desligando-o da tomada.
- Utilize a embalagem original para guardar o aquecedor, caso este não seja utilizado por algum tempo. Guardando o produto na embalagem original, este fica protegido contra empoeiramento excessivo e poluição.
- Nunca coloque na embalagem o aparelho ainda quente!
- É preciso conservar o aparelho em lugar seco e protegido da luz direta do sol.
- É expressamente proibido armazenar o aparelho em compartimentos húmidos ou molhados.

## PEÇAS NA EMBALAGEM ORIGINAL:

Aquecedor de convecção	1 unidade
Pés	2 unidades (esquerda e direita)
Manual do utilizador	1 unidade
Carta de garantia	1 unidade

## PARÂMETROS TÉCNICOS DO APARELHO:

Modelo	Potência declarada	Tensão de alimentação declarada	Frequência declarada
MC2013	2000W	220-240V~	50Hz



**Atenção: para evitar o sobreaquecimento, não cubra o aparelho!**



### Indicações para proteção do meio ambiente

Os eletrodomésticos velhos contêm materiais valiosos e por isso não devem ser tratados como resíduos urbanos! Pedimos a sua colaboração para contribuir ativamente na proteção dos recursos e do meio ambiente, entregando o aparelho nos postos especializados para reciclagem (se houver tais).

**QUADRO 2 REQUISITOS DE INFORMAÇÃO PARA AQUECEDORES DE AMBIENTE LOCAL ELÉTRICOS**

Identificador(es) de modelo: MC-2013/HV2001D

Elemento	Símbolo	Valor1.	Unidade	Elemento	Unidade
Potência calorífica				Tipo de potência calorífica, apenas para os aquecedores de ambiente local elétricos de acumulação (selecionar uma opção)	
Potência calorífica nominal	$P_{nom}$	2.0	kW	Comando manual da carga térmica, com termostato integrado	[não]
Potência calorífica mínima (indicativa)	$P_{min}$	0.0	kW	Comando manual da carga térmica, com retroação da temperatura interior e/ou exterior	[não]
Potência calorífica contínua máxima	$P_{max,C}$	1.948	kW	Comando eletrónico da carga térmica, com retroação da temperatura interior e/ou exterior	[não]
Consumo de eletricidade auxiliar				Potência calorífica com ventilador	[não]
À potência calorífica nominal	$e_{l,max}$	N/A	kW	<b>Tipo de potência calorífica/comando da temperatura interior (selecionar uma opção)</b>	
À potência calorífica mínima	$e_{l,min}$	N/A	kW	Potência calorífica numa fase única, sem comando da temperatura interior	[não]
Em estado de vigília	$e_{l,SB}$	0.000516	kW	Em duas ou mais fases manuais, sem comando da temperatura interior	[não]
				Com comando da temperatura interior por termostato mecânico	[não]
				Com comando eletrónico da temperatura interior	[sim]
				Com comando eletrónico da temperatura interior e temporizador diário	[não]
				Com comando eletrónico da temperatura interior e temporizador semanal	[não]
				<b>Outras opções de comando (seleção múltipla possível)</b>	
				Comando da temperatura interior, com deteção de presença	[não]
				Comando da temperatura interior, com deteção de janelas abertas	[não]
				Com opção de comando à distância	[não]
				Com comando de arranque adaptativo	[não]
				Com limitação do tempo de funcionamento	[não]
				Com sensor de corpo negro	[não]

TESY Ltd - Head office  
 1166 Sofia, Sofia Park,  
 Building 16V, Office 2.1. 2nd Floor  
 PHONE: +359 2 902 6666,  
 FAX: +359 2 902 6660,  
 office@tesy.com

**!** Прочитайте внимательно настоящие инструкции прежде чем использовать этот отопительный прибор и сохраняйте эти указания для будущего пользования. При изменении владельца, эту инструкцию надо передать вместе с прибором!

Благодарим Вас, что выбрали конвектор MC 2013. Это устройство, которое предлагает отопление зимой в зависимости от нужд для достижения

комфортабельного тепла в отапливаемом помещении. При правильной эксплуатации и уходе, как указано в этой инструкции, прибор обеспечит Вам много лет полезного функционирования.

#### **ВАЖНЫЕ ПРЕДОХРАНИТЕЛЬНЫЕ МЕРЫ И ИНСТРУКЦИИ БЕЗОПАСНОСТИ:**

- Прежде чем подключите прибор – проверьте указанное на табличке напряжение соответствует или нет на напряжение электрической сети в доме.

**!** Детей меньше 3-х лет надо держать на расстоянии, если они не находятся под непрерывным наблюдением.

*Дети с 3-х до 8-ми лет могут пользоваться только кнопкой вкл./выкл. прибора, при условии, что прибор установлен и готов к нормальной работе и их наблюдали и инструктировали относительно его использования безопасным способом и они понимают, что это может быть опасным.*

*Детям с 3-х до 8-ми лет нельзя подключать прибор в розетку, настраивать, чистить или выполнять потребительскую поддержку.*

*Этот прибор можно пользоваться детьми старше 8 лет и лицами ограниченными физическими, сенсорными и умственными способностями, или у которых нет достаточного опыта и познания, если их не наблюдают или не инструктировали относительно безопасного использования прибора и они понимают опасность.*

*Детям нельзя играть с прибором. Очистка и абонентское обслуживание нельзя быть сделано детьми без наблюдения.*

**!** Некоторые части этого прибора могут стать очень горячими и могут привести к ожогам. Там, где присутствуют дети и уязвимые люди, должно быть удалено особое внимание.

- Этот прибор должен использоваться только по своему назначению, т.е. отапливать бытовые помещения. Прибор не предназначен для торговых целей. Любое другое употребление надо считать неправильным и следовательно опасным. Производитель не несет ответственность за ущербы, причиненные в результате неправильного и необоснованного использования. Несоблюдение информации безопасности приведет к потере гарантии прибора!
- Не уходите из дома, пока прибор включен: убедитесь, что прибор находится в выключенном положении. Всегда вынимайте вилку из розетки, когда не собираетесь использовать прибор в течение некоторого времени.
- Держите легковоспламеняющиеся предметы, как мебели, подушки, спальное белье, бумага, одежды, занавески и т.д. на расстоянии не меньше 100 см от конвекторной печи.
- Не используйте прибор в зонах, где используются или сохраняются легковоспламеняющиеся вещества. Не используйте прибор в зонах легковоспламеняющихся атмосфер (например: вблизи воспламеняющихся газов и аэрозолей) – существует очень большая опасность от взрыва и пожара!
- Не вставляйте и не допускайте посторонних предметов в отверстия для вентиляции (входящие или выходящие), так как это приведет к поражению электрическим током или создает опасность от пожара в конвекторе.

- Прибор не подходит для выращивания животных, и тот же предназначен только для домашнего использования!
- Берегите вход и выход воздушного потока свободные от предметов: не меньше 1 м перед и 1 м за конвектором.
- Наиболее распространенной причиной перегрева - накопление пуха и пыли в машине. Редовно очищайте пылесосом вентиляционные отверстия, а перед этим обязательно отключите прибор от электрической сети.
- Никогда не трогайте прибор мокрыми руками – существует опасность для жизни!
- Контакт должен быть доступен в любое время, так что вилку возможно бы освободить, если это необходимо, как можно быстрее! Никогда не тяните за сетевой шнур или сам прибор при выключении из сети.
- Обратите внимание! Выходящий воздух нагревается во время работы (больше 100°C).
- Если шнур питания поврежден, прекратите его использование и свяжитесь с поставщиком / продавцом для дополнительных инструкций для устранения проблемы в сервисном центре.
- Не накрывайте прибор. Если он накрыт существует опасность от перегрева и опасность от пожара.
- Если прибор поврежден или функционирует неправильно, остановите его и не ремонтируйте его. Для любого ремонта обратитесь за содействием к Сервисному Центру послепродажного обслуживания. Только там можно заменить дефектные части с оригинальными запасными. Несоблюдение этого условия может компрометировать безопасность прибора.
- Если решите переустановить использование прибора этого типа, рекомендуется сделать его неиспользуемым, прерывая шнур, после того, как выключили его из сети. Рекомендуется еще обезопасить, все, связанное с прибором, особенно для детей, которые могли быть использовать амортизированное устройство (прибор) для игры.
- Никогда не оставляйте прибор ненужно включен. Отключите его от сети, когда не будете пользоваться его долгое время.
- Прибор нельзя ставить непосредственно под розеткой!
- Внимание: Не используйте этот прибор с программатором, счетчиком или другим устройством, которое автоматически включает его, так как, если прибор накрыт или неправильно поставлен существует опасность от пожара.
- Поставьте шнур питания, так что не мешал бы на движение людей и чтобы не наступали на него! Используйте только утвержденные удлинители, которые подходят для устройства, т. е. имеют знак соответствия!

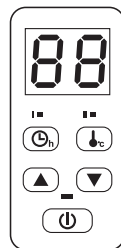
- Никогда не перемещайте прибор, дергая за шнур и не используйте шнур для переноски предметов!
- Не перегибайте кабель и не тяните его через острые края, не надо ставить его на горячей плите или на открытом огне!
- Никогда не пользуйте этот прибор в непосредственной близости до ванной, до душа или до бассейна!


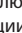
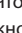
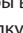
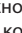


## УПАКОВКА

- После распаковки прибора, проверьте не поврежден ли он при транспорте и полностью ли он окомплектован! В случае констатирования повреждения или неполной поставки, свяжитесь с Вашим уполномоченным продавцом!
- Не выбрасывайте оригинальную коробку! Ее можно использовать для сохранения и транспортирования, чтобы избежать транспортные повреждения!
- Утилизация упаковочного материала должна быть сделана правильно. Детям нельзя позволять играть с пластиковыми пакетами!


## УСТАНОВКА И ИСПОЛЬЗОВАНИЕ ПРИБОРА

- Прежде чем включить Ваш панельный конвектор
- Поставьте конвектор в правильную рабочую позицию прежде чем включить его в электрической сети
- Выберите подходящее место для прибора, имея ввиду инструкции безопасности
- Прибор с мощностью „I” - для 1000W, „II” - для 2000W. Общая максимальная мощность, когда включены обе степени - 2000W



- Аппарат имеет электронный регулятор. Чтобы включить прибор нажмите кнопку включения . После того, как включите конвектор засветится лампочка индикации, что конвектор работает на I-вой степени. Чтобы включить и вторую степень нажмите кнопку  один раз. Нажимая какую-нибудь из кнопок  или  изменяется мощность работы конвектора.
- Чтобы установить желаемую температуру, которую хотите поддерживать прибор, нужно нажать кнопку  с индикацией термометра, потом, нажимая какую-нибудь из кнопок  или  изменяется температура (15°-32°). Символ с термометром засветится и цифровой дисплей будет показывать заданную температуру. Через

6 секунд дисплей перестанет мигать и покажет комнатную температуру.

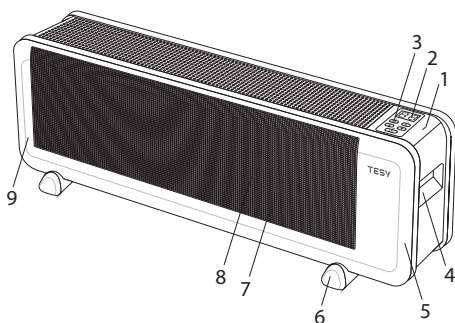
- Чтобы настроить таймер, нажмите кнопку , после этого засветятся часы. Через кнопки “▲” или “▼” задайте количество часов, в течение которых аппарат будет работать, после которых автоматически выключится.
- Возможные степени показаны индикативно.

### ПЕРЕМЕЩЕНИЕ ПРИБОРА:

Если нужно перемещение прибора, отключите через выключатель, выньте штепсель от розетки и двумя руками переместите прибор на новом месте, а перемещение нужно осуществить при холодном (отстышем) конвекторе. Перемещение теплого прибора может привести к нежеланным последствиям для потребителя, как сжигания или попадания горячих материалов на конвектор во время его перемещения.

### ОПИСАНИЕ ПРИБОРА

1. Сигнальная лампа
2. Цифровой дисплей
3. Таймер
4. Ручки
5. Правая страница конвектора
6. Ножи
7. МІСА нагреватель
8. Предохранительная решетка
9. Левая страница конвектора



### ВСТРОЕННЫЙ ВЫКЛЮЧАТЕЛЬ ПРОТИВ ПЕРЕВОРАЧИВАНИЯ (ПАДЕНИЯ)

Конвектор оснащен встроенным выключателем против переворачивания, если прибор перевернется, напряжение прервется. Оставьте его известное время пока охладиться и тогда поставьте его снова на место. Он восстановит свою нормальную работу.

### АВТОМАТИЧЕСКОЕ ЗАЩИТНОЕ ОТКЛЮЧЕНИЕ

В конвекторе есть и встроенное устройство (самовосстанавливаемый термовыключатель), который автоматически задействуется и отключается в случае перегрева и снова включается при понижении температуры прибора.



### Важно!

*Возможно при первом включении прибора ощутить специфический запах. Это нормально для первоначального периода работы. Убедитесь, что конвектор поставлен в хорошо вентилированном помещении оставьте его работать, пока запах исчезнет. Можете услышать и специфический шум, напоминающий шелк, пока конвектор нагревается. Это нормально и конвектор работает в нормальном режиме. Сразу после нагревания конвектора, этот тоизи шум исчезает.*

### ОЧИСТКА

- Обязательно надо отключить выключатель прибора и вынуть вилку из розетки в стене. Прежде чем начать чистить конвектор, оставьте его охладиться, отключая от розетки
- Протирайте корпус влажной тряпкой, пылесосом или щеткой.
- Никогда не погружайте прибор в воду – это опасно для жизни из-за поражения электрическим током!
- Никогда не используйте бензин, растворитель или жесткие абразивные чистящие средства, так как они могут повредить покрытие устройства.

### ХРАНЕНИЕ

- Перед хранением конвектора, оставьте его охладиться, отключая от розетки
- Используйте оригинальную упаковку для сохранения вентилятора если не будете пользоваться его известное время. Данный продукт защищен от пыли и грязи при сохранении его в оригинальной упаковке.
- Никогда не храните теплый прибор в его упаковке!
- Продукт нужно хранить в сухом и защищенном от прямых солнечных лучей месте.
- Категорически запрещается его хранение во влажных или мокрых помещениях.

### ОКМПЛЕКТОВКА В ЕДНА ОПАКОВКА:

Конвектор	1 шт
Ножи	2 шт
Инструкция	1 шт
Карта гарантии	1 шт

### ТЕХНИЧЕСКИЕ ПАРАМЕТРЫ ПРИБОРА:

Модель	Объявленная мощность	Объявленное напряжение	Объявленная частота
MC2013	2000W	220-240V~	50Hz



**Внимание: во избежание перегрева не накрывайте прибор!**



### Инструкции по защите окружающей среде

Старые электроприборы содержат ценные материалы и поэтому нельзя выбрасывать их вместе с бытовыми отходами! Мы просим вас содействовать своим активным вкладом для сохранения окружающей среды и нужно передать его в организованных пунктах (если есть такие)





*Būtinai perskaitykite šią instrukciją prieš pradėdami naudoti produktą, ir išsaugokite ją ateičiai. Keičiantis savininkui, eksploatavimo instrukcija turi būti perduota kartu su įrenginiu!*

Dėkojame, kad įsigijote konvektorinį šildytuvą MC 2013. Tai yra straipsnis, kuris suteikia šildymą žiemą, kiek reikia norint pasiekti komfortišką šilumą šildomoje

patalpoje. Teisingai eksploatuojant ir prižiūrint įrenginį, kaip aprašyta šioje instrukcijoje, įrenginys tarnaus jums daugelį metų naudingą funkcijavimą.

### **SVARBIOS APSAUGOS PRIEMONĖS IR SAUGUMO INSTRUKCIJOS:**

- Prieš montuodami šildytuvą, patikrinkite, ar nurodyta lentelėje įtampa atitinka elektros tinklo įtampą namuose (biure).



*Vaikai, jaunesni nei 3 metų, neturi būti prileidžiami prie įrenginio, išskyrus atvejus, kai jie nuolat prižiūrimi.*

*Vaikai nuo 3 iki 8 metų gali tik naudotis mygtuku jį/išj., su sąlyga, kad įrenginys yra sumontuotas ir paruoštas normaliam darbui, o vaikai yra stebimi ir buvo instruktuoti, kaip juo saugiai naudotis, ir supranta, kad tai gali būti pavojinga.*

*Vaikai nuo 3 iki 8 metų neturėtų įjungti įrenginio į tinklą, nustatinėti jo, valyti ar kitaip prižiūrėti.*

*Šį įrenginį gali naudoti vaikai vyresni nei 8 metų ir asmenys su ribotomis fizinėmis, emocinėmis arba protinėmis galimybėmis, taip pat su patirties ir žinių trūkumu, išskyrus atvejus, kai jie yra stebimi, arba juos instruktavo asmuo, atsakantis už jų saugumą, kaip elgtis su įrenginiu. Būtina stebėti, kad maži vaikai nežaistų su įrenginiu! Vaikai negali valyti ir prižiūrėti įrenginio, jeigu jie nėra stebimi.*



*Kai kurios įrenginio dalys gali labai įkaisti ir sukelti nudegimų pavojų. Ten, kur yra vaikų ir kitų pažeidžiamų asmenų, turi būti atkreipiamas ypatingas dėmesys.*

- Šis įrenginys turi būti naudojamas tik pagal paskirtį, t.y. buitinių patalpų apšildymui. Prietaisas nėra skirtas komerciniams tikslams. Bet koks kitoks pritaikymas laikomas neteisingu ir pavojingu. Gamintojas negali atsakyti už gedimus, kuriuos sukėlė neteisingas ir neprotingas įrenginio naudojimas. Dėl saugumo informacijos nesilaikymo įrenginio garantija tampa negaliojanti!
- Neišeikite iš namų, kol įrenginys yra įjungtas: įsitikinkite, kad mygtukas yra padėtyje "išjungta". Visada ištraukite įrenginio kištuką iš lizdo.
- Laikykitės lengvai užsiliepsnojančius daiktus, kaip baldai, pagalvės, patalynė, popierius, drabužiai, užuolaidos ir kt. bent 100 cm atstumu nuo krosnelės.
- Nenaudokite įrenginio zonos, kuriose naudojamas ar saugomos degios medžiagos. Nenaudokite įrenginio zonos, kuriose gali būti degių atmosferų (pavyzdžiui, arti dujų ar aerozolių) – yra labai didelis sprogo ir gaisro pavojus!
- Neleiskite, kad svetimkūniai patektų į ventilacijos angas (įleidimo ar išleidimo), nes tai gali sukelti elektros smūgį, gaisrą ar ventilatoriaus gedimą.
- Įrenginys netinka gyvūnų priežiūrai, jis skirtas tik naudojimui namuose!
- Laikyti įleidimo ir išleidimo srauto nemokamai daiktus: ne mažiau kaip 1 metro atstumu nuo priekyje ir vienas metras už konvektoriaus.
- Dažniausia priežastis, dėl perkaitimo yra pūkelių ir dulkių kaupimas į mašiną. Reguliariai reikia susiurbti ventilacijos angas, bet prieš to būtinai išjungti prietaisą iš tinklo.

- Niekada nelieskite įrenginio šlapiomis ar drėgnomis rankomis – yra pavojus gyvybei!
- Lizdas turi būti pasiekiamas bet kuriuo metu, kad pririnkus kištukas galėtų būti ištrauktas kiek galima greičiau! Niekada netraukite maitinimo laido arba paties įrenginio išjungdami jį iš tinklo.
- Atkreipkite dėmesį! Išeinantis oras įkaista darbo metu (daugiau nei iki 100°C).
- Jeigu maitinimo laidas bus pažeistas, saugumo tikslais nebenaudokite įrenginio ir kreipkitės į tiekėją / pardavėją už tolesnės instrukcijos.
- Neuždenkite įrenginio. Uždengtas įrenginys sukelia perkaitimo pavojų.
- Jeigu įrenginys netvarkingas arba neteisingai funkcionuoja, sustabdykite jį ir neremontuokite. Dėl bet kokio remonto kreipkitės į aptarnavimo po pardavimo centrą. Tik ten pakeis sugedusią dalį tokia pačia originalia dalimi. Šios sąlygos nesilaikymas gali privesti prie to, kad įrenginys nebus saugus.
- Jeigu nuspręsite nebenaudoti šio tipo įrenginio, rekomenduojama nuimti laidą, prieš tai išjungę jį iš tinklo. Jeigu nuspręsite nebenaudoti šio tipo įrenginio, rekomenduojama nuimti laidą, prieš tai išjungę jį iš tinklo. Rekomenduojama vengti visų pavijų, ypačiai saugoti įrenginį nuo vaikų, kurie gali panaudoti įrenginį žaidimams.
- Niekada nepalikite įrenginio įjungto, jeigu to nereikia. Išjunkite jį iš maitinimo tinklo, kai nenaudojate ilgesnį laiką.
- Įrenginio nerekomenduojama montuoti nedelsiant po lizdu!
- DĖMESIO: Nenaudokite šio įrenginio su programavimo įrenginiu, skaitikliu ar kitu įrenginiu, kuris automatiškai jį įjungia, nes jeigu įrenginys yra uždengtas arba neteisingai pastatytas, yra gaisro pavojus.
- Nutieskite maitinimo laidą taip, kad jis netrukdytų žmonių judėjimui ir kad ant jo neužmintų! Naudokite tik aprobuotus ilgintuvus, tinkančius įrenginiui, kadangi jie turi atitikties ženklą!
- Niekada neperstatykite įrenginio, tempdami už laido, taip pat nenaudokite daiktams pernešti!
- Netempkite laido per aštirus kampus ir nedėkite jo ant karštų paviršių arba prie atviros ugnies!
- Niekada nenaudokite šio įrenginio arti vonios, dušo ar baseino.

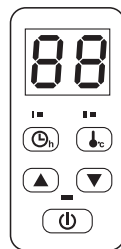
## PAKUOTĖ

- Išpakavę įrenginį, patikrinkite, ar jis gabenimo metu nebuvo pažeistas ir ar yra pilnai sukomplektuotas! Jeigu nustatėte pažeidimą arba nepilną komplektą, susisieki su savo įgaliotu pardavėju!
- Neišmeskite originalios pakuotės! Ją galima naudoti saugojimui ir gabenimui, siekiant išvengti pažeidimų! Neišmeskite originalios pakuotės! Ją galima naudoti saugojimui ir gabenimui, siekiant išvengti pažeidimų!
- Pakavimo medžiagą reikia tinkamai išmesti! Reikia saugoti, kad vaikai nežaistų su polietileno maišeliais!

## ĮRENGINIO MONTAVIMAS IR NAUDOJIMAS

Prieš pradėdami vartoti Jūsų skydeli konvektorių

- Pastatykite konvektorių į taisyklingą darbo poziciją prieš jį įjungdami į elektrinis tinklą;
- Parinkite įrenginiui tinkamą vietą, vadovaudamiesi saugumo instrukcija;
- Įrenginio galingumas „I“ – 1000W, „II“ – 2000W. Bendras maksimalus galingumas, kai įjungti abu lygiai, yra 2000W.



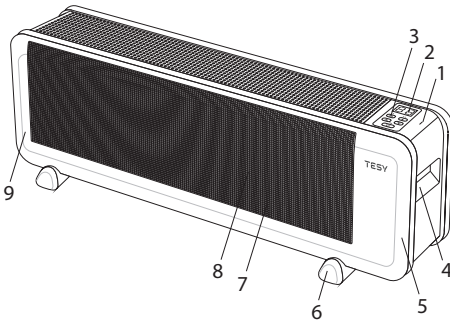
- Įrenginyje yra elektroninis reguliatorius. Norėdami įjungti įrenginį, paspauskite įjungimo mygtuką . Kai įjungsit konvektorių, užsidegs indikacijos lemputė, kad konvektorius veikia I lygiu. Norėdami įjungti ir antrą lygį, paspauskite mygtuką vieną kartą. Spaudžiant mygtukus arba , keičiasi konvektoriaus darbo galingumas.
- Norėdami nustatyti pageidaujamą temperatūrą, kurią palaikytų įrenginys, paspauskite mygtuką su termometro rodikliais, paskui spaudžiant mygtuką arba keičiasi temperatūros vertė (15°-32°). Simbolis su termometru užsidegs, ir skaitmeninis displejus rody s nustatytą temperatūrą. Po 6 sekundžių displejus nustos žybsėti ir parodys kambario temperatūrą.
- Siekdami nustatyti laikmatį, paspauskite mygtuką , po to, kai užsidegs laikrodis. Mygtukais arba nustatykite valandų skaičių, kuriomis įrenginys veiks, o paskui automatiškai išsijungs.
- Galimi lygiai rodomi indikatoriuje.

## ĮRENGINIO PERKĖLIMAS:

Jeigu reikia perkelti šitą įrenginį išjunkite rankenėles, atjunkite nuo maitinimo tinklo ir dviejomis rankomis perkelkite į naują vietą įrenginį. Perkėlimas turėtų būti atliekamas, kai įrenginys yra jau šaltas. Karšto įrenginio perkėlimas gali sukelti neigiamų pasekmių vartotojui, pavyzdžiui, deginimas ar degių medžiagų patekimo ant konvektoriaus per įrenginio perkėlimas laiko.

## ĮRENGINIO APRĄŠYMAS

1. Signalinė lempa;
2. Skaitmeninis displejus;
3. Laikmatis;
4. Rankenos;
5. Dešinioji konvektoriaus pusė;
6. Kojelės;
7. MICA šildytuvas;
8. Apsauginės grotelės;
9. Kairioji konvektoriaus pusė;



## ĮMONTUOTAS SAUGIKLIS NUO APVIRTIMO (KRITIMO)

Konvektoriuje įmontuotas saugiklis nuo apvirtimo, tuo atveju, jei įrenginys apvirstų, maitinimas nutrūks. Palikite jį tam tikrą laiką, kol atvės, ir tada pastatykite vėl. Įrenginys vėl pradės normaliai veikti.

## AUTOMATINIS APSAUGINIS IŠJUNGIMAS

Konvektoriuje yra įmontuotas įrengimas (savaiame atsistatantis termojungiklis), kuris automatiškai įsijungia ir išsijungia perkaitimo atveju, ir įsijungia, kai temperatūra sumažėja.



### Svarbu!

*Gali būti, kad, įjungę įrenginį pirmą kartą, jūs pajusite specifinį kvapą. Tai yra normalu darbo pradžioje. Įsitinkinkite, kad konvektorius yra gerai vėdinamoje patalpoje, ir palikite jį veikiantį, kol kvapas išnyks.*

*Galite išgirsti ir specifinį garsą, panašų į traskėjimą, kol kolvektorius šyla. Tai yra normalu, ir konvektorius dirba normaliu režimu. Kai tik konvektorius iššyla, garsas dingsta.*

## VALYMAS

- Būtinai iš pradžių išjunkite įrenginį ir ištraukite kištuką iš lizdo. Prieš valant konvektorių, leiskite jam atvėsti jį išjungti iš elektros tinklo.
- Valykite korpusą sausa šluoste, dulkių siurbliu arba šepečiu.
- Niekada netalpinkite įrenginio į vandenį – kyla pavojus gyvybei nuo elektrinio šoko!
- Niekada nenaudokite benzino, plonesni arba atšiaurių abrazyvinių valymo priemonių, nes jie sugadino įrenginio apdaila.

## LAIKYMAS

- Prieš laikyti konvektorių, būtinai iš pradžių išjunkite įrenginio jungiklį ir ištraukite kištuką iš kontakto sienoje.
- Jeigu kurį laiką įrenginys nenaudojamas, jį reikia apsaugoti nuo dulkių ir purvo, supakuojant į originalią pakuotę. Supakuojant į originalią pakuotę Jus apsaugokite savo produktą nuo dydelio dulkių ir nešvarumų pavojus.
- Niekada nepakuokite šilto įrenginio!
- Produktas turi būti saugomas sausoje ir apsaugotoje nuo tiesioginių saulės spindulių vietoje.
- Vienareikšmiškai draudžiama laikyti konvektorius drėgnose ir šlapiose vietose.

## SUKOMPLEKTUOTA VIENOJE PAKUOTĖJE:

Konvektorius	1 vnt.
Kojelės	2 vnt.
Instrukcija	1 vnt.
Garantinis talonas	1 vnt.

## ĮRENGINIO TECHINIAI PARAMETRAI:

Modelis	Galingumas	Elektros srovės įtampa	Dažnis
MC2013	2000W	220-240V~	50Hz



**Dėmesio: vengdami perkaitimo, neuždenkite įrenginio!**



### Aplinkosauginiai nurodymai

Senuose elektros prietaisuose yra vertingų medžiagų, ir dėl to jų nereikia išmesti kartu su buitineis atliekomis! Prašome aktyviai prisidėti prie aplinkos apsaugos ir atiduoti įrenginį į organizuotus supirkimo centrus (jeigu tokių yra)

## 2 LENTELĖ INFORMACIJOS APIE ELEKTRINIUS VIETINIUS PATALPŲ ŠILDYTUVUS REIKALAVIMAI

Modelio žymuo (-ens): MC-2013/HV2001D

Parametras	Ženklas	Vertė1.	Vienetas	Parametras	Vienetas
Šiluminė galia				Tiekiamosios šiluminės galios lygiai – tik elektrinių kaupiamųjų vietinių patalpų šildytuvų (pasirinkti vieną)	
Vardinė šiluminė galia	$P_{nom}$	2.0	kW	Rankinis šiluminės įkrovos valdiklis su integruotu termostatu	[ne]
Mažiausia šiluminė galia (orientacinė)	$P_{min}$	0.0	kW	Rankinis šiluminės įkrovos valdiklis su patalpos ir (arba) lauko temperatūros jutikliu	[ne]
Didžiausia nuolatinė šiluminė galia	$P_{max,C}$	1.948	kW	Elektroninis šiluminės įkrovos valdiklis su patalpos ir (arba) lauko temperatūros jutikliu	[ne]
Pagalbinės elektros energijos vartojamoji galia				Ventiliatorinis šilumos atidavimas	[ne]
Esant vardinei šiluminei galiai	$e_{l,max}$	N/A	kW	<b>Šiluminės galios lygiai/patalpos temperatūros reguliavimas (pasirinkti vieną)</b>	
Esant mažiausiai šiluminei galiai	$e_{l,min}$	N/A	kW	Vieno šiluminės galios lygio ir be patalpos temperatūros reguliavimo	[ne]
Pristabdytą veiksena	eI SB	0.000516	kW	Dviejų ar daugiau rankinių būdu nustatomų šiluminės galios lygių be patalpos temperatūros reguliavimo	[ne]
				Su mechaninio termostatinio patalpos temperatūros reguliavimo funkcija	[ne]
				Su elektroninio patalpos temperatūros reguliavimo funkcija	[taip]
				Elektroninis patalpos temperatūros reguliavimas ir paros laikmatis	[ne]
				Elektroninis patalpos temperatūros reguliavimas ir savaitės laikmatis	[ne]
				<b>Kitos valdymo pasirinktys (galimi keli variantai)</b>	
				Patalpos temperatūros reguliavimas su žmonių buvimo atpažintimi	[ne]
				Patalpos temperatūros reguliavimas su atviro lango atpažintimi	[ne]
				Su nuotolinio valdymo pasirinktimi	[ne]
				Su adaptyvioju šildymo pradžios momento nustatymu	[ne]
				Ribojamo veikimo laiko	[ne]
				Su spinduliavimo temperatūros jutikliu (angl. black bulb sensor)	[ne]

TESY Ltd - Head office

1166 Sofia, Sofia Park,

Building 16V, Office 2.1. 2nd Floor

PHONE: +359 2 902 6666,

FAX: +359 2 902 6660,

office@tesy.com



*Izlasiet šo instrukciju pirms ierīces lietošanas un uzglabājiet šo instrukciju turpmākai lietošanai. Mainoties preces īpašniekam, lietošanas instrukcija ir jānodod kopā ar to.*

Pateicamies Jums, ka esat izvēlējušies konvektoru MC 2013. Tas ir izstrādājums, kas ir paredzēts apsildīšanai ziemā atkarībā no komfortablās temperatūras, kuru

vēlaties apsildāmajā telpā. Pareizi ekspluatējot un apkopjot, kā tas ir aprakstīts šajā instrukcijā, ierīce Jūs nodrošinās ar pareizu funkcionēšanu daudzus gadus.

### **SVARĪGI PASĀKUMI AIZSARDZĪBAI UN DROŠĪBAS INSTRUKCIJA:**

- Pirms ierīces ieslēgšanas, pārbaudiet vai norādītais strāvas spriegums uz ierīces plāksnītes atbilst Jūsu mājas elektrības tīkla spriegumam.



*Bērnus, kas ir mazāki par 3 gadiem ir jātur attālumā no ierīces, vienīgi, ja tie nav nepārtrauktā uzraudzībā.*

*Bērni vecumā no 3 līdz 8 gadiem var izmantot ierīces pogu iesl./izsl. Ar noteikumu, ka ierīce ir instalēta un gatava normālam darbam un ja tie ir uzmanīti un instruēti saistībā ar ierīces drošu izmantošanu un ja bērni saprot, ka tā var būt bīstama.*

*Bērni vecumā no 3 līdz 8 gadiem nedrīkst ieslēgt ierīci kontaktā, to uzstādīt un tīrīt un veikt ierīces patērētāju kopšanu.*

*Šo ierīci var izmantot bērni vecāki par 8 gadiem un cilvēki ar nepietiekamām fiziskām, sensoriālām vai mentālām spējām, vai ar nepietiekošām zināšanām un pieredzi, ja tos pieskata vai instruē sakarā ar ierīces drošu izmantošanu un kad tie saprot par bīstamību. Bērni nedrīkst spēlēt ar ierīci. Ierīces tīrīšanu un kopšanu, ko veic patērētāji, nedrīkst veikt bērniem bez pieaugušo uzraudzības.*



*Šī produkta dažas daļas var palikt ļoti karstas un var izraisīt apdegumus. Tur kur uzturās bērni un neaizsargāti cilvēki, ir jābūt sevišķi vērīgiem.*

- Ierīce ir jāizmanto tikai paredzētajam mērķim, kam ir domāta, t.i. sadzīves telpu apsildīšanai. Ierīce nav paredzēta komerciālām vajadzībām. Lietošana citiem mērķiem tiek uzskatīta nepareiza, kā rezultātā – bīstama. Ražotājs nevar būt atbildīgs par bojājumiem, kas ir radušies nepareizas un nepamatotas lietošanas rezultātā. Neievērojot drošības noteikumus, ierīces garantijas laiks nebūs spēkā!
- Neizejiet no mājām, kamēr ierīce strādā. Pārlicinieties, ka slēdzis ir stāvoklī – izslēgts. Vienmēr atvienojiet vadu no strāvas kontaktligzdas.
- Novietojiet viegli uzliesmojošos priekšmetus, kā piemēram mēbeles, spilvenus, gultas veļu, papīru, drēbes, aizskarus un tt. vismaz 100 cm attālumā no konvektora.
- Nelietojiet ierīci zonās, kur izmanto vai glabā ugunsnedrošas vielas. Neizmantojiet ierīci zonās ar viegli uzliesmojošām atmosfērām (piemēram: uzliesmojošu gāzi vai aerosolus) – pastāv liela eksplozijas un ugunsgrēka varbūtība!
- Nelieciet un nepieļaujiet svešķermeņu nokļūšanu ventilatora atverēs (ieejošās un izejošās), tā kā tas var novest līdz strāvas sitienam, ugunsgrēkam vai konvektora bojājumiem.
- Ierīce nav paredzēta mājdzīvnieku apsildei, tā ir domāta tikai lietošanai mājas apstākļos!
- Turiet gaisa plūsmas ieeju un izeju brīvu no priekšmetiem: vismaz 1 m attālumā no konvektora priekšējās puses un 1 m aiz tā.
- Visbiežākais iemesls ierīces pārsilšanai – putekļu un

villas uzkrāšanās uz ierīces. Regulāri tīriet ar putekļu sūcēju ventilatora atveres, pirms tam izslēdzot ierīci no elektriskā tīkla.

- Nekad neaiztīciet ierīci ar mitrām vai slapjām rokām – var būt apdraudēta dzīvība!
- Kontaktam ir jābūt pieejamam katrā laikā, lai vajadzības gadījumā špelseli var ātri atbrīvot. Atslēdzot no elektrotīkla ierīces nekad nevelciet barojošo vadu vai pašu ierīci.
- Ņemiet vērā! Ierīces darba laikā izejošais gaiss sasilst (vairāk par 100°C).
- Ja ierīces vads ir bojāts, neizmantojiet to un sazinieties ar piegādātāju/pārdevēju lai saņemtu papildus instrukcijas kā atrisināt problēmu specializētā servisā.
- Nekad neapsedziet ierīci. Apsēgšanas gadījumā pastāv bīstamība no pārkaršanas un ugunsgrēka.
- Ja ierīce nedarbojās vai nepareizi funkcionē, izslēdziet to un neremontējiet. Visāda veida remontiem izmantojiet jūsu apdzīvotās vietas licenzētos servisa centrus. Tikai tur bojāto daļu nomainīs ar oriģinālu rezerves daļu. Šī noteikuma neievērošana kompromitēs ierīces drošību.
- Ja nolemsiet vairāk neizmantojot tāda tipa ierīci, tad ir ieteicams to padarīt par neizmantojamu, pēc atvienošanas no tīkla, nogrieziet vadu. Ieteicams visas bīstamības, kas ir saistītas ar ierīci, neitralizēt, sevišķi tās, kas ir saistītas ar bērniem, kas var izmantot amortizēto ierīci savām spēlēm.
- Nekad neatstājiet ierīci ieslēgtu bez vajadzības, izslēdziet radiatoru no tīkla, ja to ilgāku laiku nelietosiet
- Nenovietojiet radiatoru tiešā kontaktrozetes tuvumā, īpaši zem tās!
- Uzmanību: nelietojiet šo ierīci kombinācijā ar programatoru, skaitītāju vai ar citu iekārtu, kas to automātiski ieslēdz/izslēdz, jo ja ierīce ir apsegta vai nepareizi novietota, ir iespējams ugunsgrēks.
- Ierīces barojošo vadu novietojiet tā, lai tas netraucē cilvēku kustībai un lai tam neuzkāptu! Izmantojiet tikai pagarinātājus, kas ir piemēroti ierīcei, t.i. tiem ir atbilstības zīme!
- Nekad nepārvietojiet ierīci velkot to aiz vada un neizmantojiet vadu, lai pārvietotu priekšmetus!
- Nepārlokiet vadu un nevelciet to pāri asiem stūriem un nelieciet to uz karstām virsmām vai tuvu pie atklātas uguns!
- Nekad nelietojiet šo ierīci vannas istabās, dušas un peldbaseina tuvumā!

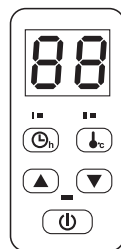
## IEPAKOJUMS

- Pēc ierīces izņemšanas no iepakojuma, pārbaudiet vai tā nav bojāta transportēšanas laikā un vai ir pilna komplektācija! Gadījumā, ja ir konstatēts bojājums un nav pilns komplekts, tad sazinieties ar Jūsu pilnvaroto pārdevēju!
- Neizmetiet ierīces veikala iepakojumu! To varat izmantot turpmākai ierīces saglabāšanai un transportēšanai, lai izvairītos no varbūtējajiem bojājumiem transportēto!
- Iepakojums ir jāizmet piemērotās tam vietās! Bērniem ir aizliegts spēlēt ar polietilēna maisiem!

## IERĪCES INSTALĒŠANA UN IZMANTOŠANA

Pirms Jūsu paneļa konvektora ieslēgšanas

- Novietojiet konvektoru pareizā darba pozīcijā pirms pieslēdzat to elektriskajam tīklam
- Izvēlaties pareizo vietu ierīcei, ņemot vērā drošības noteikumus
- Ierīces jauda. "I" ir 1000W, "II" ir 2000W. Kopējā maksimālā jauda, kad ir ieslēgti abi slēdži ir 2000W



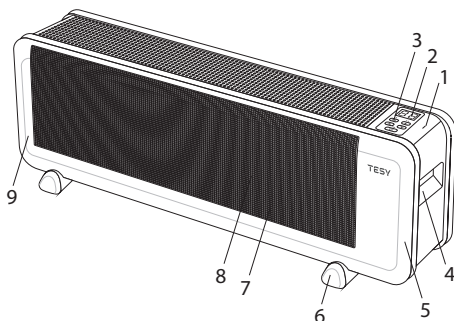
- Ierīce ir ar elektronisku regulatoru. Lai ieslēgtu ierīci nospiediet ieslēgšanas pogu ⏻. Kad ieslēgsiet konvektoru, iedegsies indikācijas lampiņa, ka konvektors strādā I pakāpē. Lai ieslēgtu otro pakāpi, nospiediet pogu ▲ vienreiz. Nospiežot pogas "▲" vai "▼" izmainās jauda ar kādu strādā konvektors.
- Lai uzstādītu Jums vēlamo temperatūru, kuru uzstūrēs ierīce, ir jānospiež poga ⏻ ar termometra rādītāju, pēc tam nospiediet pogas "▲" vai "▼" istabas temperatūras uzstādīšanai (15°-32°). Termometra simbols izgaismosies un ciparu displejs parādīs uzstādīto temperatūru. Pēc 6 sekundēm Displejs pārstās mirgot un parādīs uzstādīto temperatūru.
- Lai uzstādītu taimerī nospiediet pogu ⌚, pēc tam izgaismosies pulkstenis. Ar pogām "▲" vai "▼" uzstādiat stundu daudzumu, kuru laikā ierīce strādās un pēc tam automātiski izslēgsies.
- Iespējamās pakāpes ir parādītas indikatīvi.

## IERĪCES PĀRVIETOŠANA:

Ja ir nepieciešams pārvietot ierīci, tad izslēdziet slēdzi, izņemiet kontakt dakšu no kontakta un turot ar abām rokām ierīci pārnēsiet to uz jauno vietu. Pārvietošana ir jāveic tad, kad konvektors ir auksts (atdzisis). Karsta konvektora pārvietošana var novest līdz nevēlamām sekām, kā piemēram apdegumiem vai viegli uzliesmojošu priekšmetu nokļūšanu uz konvektora, tā pārvietošanas laikā.

## IERĪCES APRAKSTS

1. Signāllampiņa
2. Cīparu displejs
3. Taimeris
4. Rokturi
5. Konvektors labā pusē
6. Kājiņas
7. MICA sildītājs
8. Aizsargrežģis
9. Konvektora labā pusē



## ĪEMONTĒTAIS IZSLĒDZĒJS IERĪCES APGĀŠANĀS (KRIŠANAS) GADĪJUMAM

Konvektoram ir iemontēts izslēdzējs ierīces apgāšanās (krišanas) gadījumam, ja ierīce nokritis, tad barojošā sprieguma padeve būs partraukta. Atstājiet to uz zināmu laiku, lai atdziest un tad to nolieciet vertikāli. Ierīce atsāks normāli strādāt.

## AUTOMĀTISKAIS DROŠĪBAS SLĒDZIS

Konvektorā ir uzstādīta automātiska ierīce (patstāvīgs termoslēdzis), kas automātiski darbojas un izslēdzās, ja konvektors ir pārkaršis un tas ieslēgsies, kad konvektors ir atdzisis.



### Svarīgi!

Iespējams ieslēdzot pirmo reizi ierīci, sajūsitiet specifisku smaržu. Tas ir normāli, kad ierīce pirmo reizi darbojas. Pārliecinieties, ka konvektors atrodās labi vēdināmā telpā un atstājiet to lai strādā normālajā režīmā, kamēr smarža izzudis. Varat dzirdēt specifisku troksni, līdzīgu sprakšķim, kamēr konvektors iesilst. Tas ir normāli un konvektors strādā normālā režīmā. Kad konvektors iesils, šī skaņa izzudīs.

## KOPŠANA

- Obligāti vispirms izslēdziet ierīci ar slēdzi un izslēdziet barojošo vadu no tīkla. Pirms konvektora tīrīšanas, atstājiet lai tas atdziest.
- Slaukiet korpusu ar mīkstu un mitru lupatiņu, izmantojiet putekļsūcēju vai birzti.
- Nekad nelieciet ierīci ūdenī. Pastāv bīstamība dzīvībai no strāvas sitiena!
- Nekad neizmantojiet tīrīšanai benzīnu, šķīdinātājus vai rupjus abrazīvus tīrīšanas līdzekļus, tie sabojās ierīces segumu.

## UZGLABĀŠANA

- Pirms konvektora iepakojšanas, atstājiet, lai tas atdziest izslēdzot to no kontakta.
- Izmantojiet oriģinālo iepakojumu ierīces saglabāšanai, ja to neizmantosiet zināmu laiku. Ierīce būs pasargāta no putekļiem un būs tīrs, ja to uzglabāsiet oriģinālā iepakojumā.
- Nekad nelieciet siltu ierīci tās iepakojumā!
- Nepieciešams ierīci uzglabāt sausā un aizsargātā no tiešiem saules stariem vietā.
- Uzsveram, ka nedrīkst ierīci uzglabāt mitrās un slapjās telpās.

## VIENS KOMPLEKTS IEPAKOJUMĀ SATUR:

Konvektors	1 gb
Kājiņas	2 gb
Instrukcija	1 gb
Garantijas karte	1 gb

## IERĪCES TEHNISKIE PARAMETRI:

Modelis	Noteiktā jauda	Noteiktais barojošais spriegums	Nominālā frekvence
MC2013	2000W	220-240V~	50Hz



**Uzmanību: Lai izvairītos no pārkaršanas, neapsedziet ierīci!**



**Norādījumi apkārtējās vides aizsardzībai**  
Vecās elektroierīces satur vērtīgus materiālus, tāpēc neizmetiet tos kopā ar sadzīves atkritumiem! Lūdzam Jūs sadarboties apkārtējās vides resursu aizsardzībā un lūdzam nogādāt ierīci organizētajos uzpirkšanas punktos (ja tādi ir pieejami).



## 2. TABULA INFORMĀCIJAS PRASĪBAS ELEKTRISKAJIEM LOKĀLAJIEM TELPU SILDĪTĀJIEM

Modeļa identifikators(-i): MC-2013/HV2001D

Pozīcija	Apzīmējums	Vērtība1.	Vienība	Pozīcija	Vienība
Siltuma jauda				Siltuma pievades tips, tikai elektriskajiem siltumakumulācijas lokālajiem telpu sildītājiem (izvēlēties vienu)	
Nominālā siltuma jauda	$P_{nom}$	2.0	kW	manuāls siltumpadeves regulators ar integrētu termostatu	[nē]
Minimālā siltuma jauda (indikatīvi)	$P_{min}$	0.0	kW	manuāls siltumpadeves regulators ar informācijas pievadi par telpas un/vai ārtempu temperatūru	[nē]
Maksimālā nepārtrauktā siltuma jauda	$P_{max,C}$	1.948	kW	elektronisks siltumpadeves regulators ar informācijas pievadi par telpas un/vai ārtempu temperatūru	[nē]
Papildu elektroenerģijas patēriņš				siltuma jaudas regulēšana ar ventilatoru	
Pie nominālās siltuma jaudas	$e_{lmax}$	N/A	kW	<b>Siltuma jaudas/telpas temperatūras regulēšanas tips (izvēlēties vienu)</b>	
Pie minimālās siltuma jaudas	$e_{lmin}$	N/A	kW	vienpakāpes siltuma jauda bez telpas temperatūras regulēšanas	[nē]
Gaidstāves režīmā	$e_{lSB}$	0.000516	kW	manuāla divpakāpju vai daudzpakāpju siltuma jauda bez telpas temperatūras regulēšanas	[nē]
				ar mehānisku termostatu un telpas temperatūras regulēšanu	[nē]
				ar elektronisku telpas temperatūras regulēšanu	[jā]
				ar elektronisku telpas temperatūras regulēšanu un diennakts taimerī	[nē]
				ar elektronisku telpas temperatūras regulēšanu un nedēļas taimerī	[nē]
				<b>Citi vadības veidi (var izvēlēties vairākus)</b>	
				telpas temperatūras regulēšana ar klātbūtnes detektēšanu	[nē]
				telpas temperatūras regulēšana ar atvērta loga detektēšanu	[nē]
				ar tālvadības funkciju	[nē]
				ar adaptīvu palaišanas vadību	[nē]
				ar darbības laika ierobežojumu	[nē]
				ar siltuma starojuma sensoru melnas lodes formā	[nē]

TESY Ltd - Head office

1166 Sofia, Sofia Park,

Building 16V, Office 2.1. 2nd Floor

PHONE: +359 2 902 6666,

FAX: +359 2 902 6660,

office@tesy.com



Przeczytać niniejszą instrukcję przed użyciem urządzenia oraz zachować te wskazówki do późniejszego wykorzystania. W przypadku zmiany właściciela, instrukcję użytkowania należy przekazywać razem z urządzeniem.

Serdecznie dziękujemy za wybranie konwektora elektrycznego MC 2013. Jest to wyrób zapewniający ogrzewanie w zimie w zależności od tego, ile Państwo potrzebujecie aby osiągnąć komfortowego ciepła

w ogrzewanym pomieszczeniu. Przy odpowiednim użytkowaniu i konserwacji, jak jest opisano w niniejszej instrukcji, urządzenie zapewni Państwu wiele lat swej użytecznej pracy.

#### **WAŻNE INFORMACJE ORAZ INSTRUKCJE, DOTYCZĄCE BEZPIECZEŃSTWA:**

- Przed podłączeniem urządzenia - sprawdź czy napięcie, ukazane na tabliczce znamionowej, odpowiada napięciu dostarczanemu do Państwa domu.



*Należy pilnować, aby dzieci poniżej 3 roku życia znajdowały się z dala od grzejnika, chyba że są pod stałą opieką osoby dorosłej.*

*Dziutom w wieku od 3 lat do 8 lat można korzystać tylko z przycisku Wł. / Wył. urządzenia, przy tym pod warunkiem, że urządzenie było już wcześniej zainstalowane i jest gotowe do normalnej pracy oraz jedynie, jeśli są one nadzorowane i uprzednio instruowane, co do stosowania konwektora w sposób bezpieczny - i rozumieją, że może ono być niebezpieczne.*

*Dzieci w wieku od 3 lat do 8 lat nie powinny dopuszczać do podłączenia urządzenia do sieci zasilania, do ustawienia go, do czyszczenia urządzenia lub obsługi konserwacyjnej.*

*Dane urządzenie może być używane przez dzieci w wieku powyżej 8 lat i osób o ograniczonej sprawności fizycznej, sensorycznej lub umysłowej, lub nieposiadających niezbędnego doświadczenia oraz wiedzy tylko pod warunkiem, że są one nadzorowane lub poinstruowane na temat bezpiecznego korzystania z urządzenia i rozumieją możliwe zagrożenia. Dzieci nie powinny bawić się urządzeniem. Czyszczenie i obsługa nie powinny być przeprowadzone dziećmi bez nadzoru osób dorosłych.*



*Niektóre części tego produktu mogą stać się bardzo gorące i spowodować oparzenia. W obecności dzieci oraz osób nieobronnych kwestiom bezpieczeństwa należy zwrócić szczególną uwagę.*

- Dane urządzenie może być używane jedynie do celów, dla których jest ono przeznaczone, tj. do ogrzewania pomieszczeń mieszkaniowych. Urządzenie nie jest przeznaczone do celów handlowych. Każde inne zastosowanie będzie uznane za niewłaściwe a więc niebezpieczne. Producent nie ponosi odpowiedzialności za jakiegokolwiek szkody, wynikające z niewłaściwego i nadmiernego użycia urządzenia. Nieprzestrzeganie informacji dotyczących bezpieczeństwa unieważnia zobowiązania gwarancyjne producenta.
- Nie wolno wychodzić z domu, gdy urządzenie jest włączone: upewnijcie się, że przełącznik jest w pozycji „wyłączone”. Zawsze należy pamiętać o tym i wyjąć wtyczkę z gniazdka prądu elektrycznego
- Łatwopalne elementy - takie jak np. meble, poduszki, pościel, bielizna, papier, ubrania, zasłony itp. należy trzymać w odległości co najmniej 100 cm od grzejnika konwektorowego.
- Nie należy korzystać z urządzenia w miejscu, gdzie magazynuje się albo używa się z łatwopalnych

substancji. Nie należy korzystać z urządzenia w strefach o atmosferze palnej (jak np.: w pobliżu łatwopalnych gazów lub aerozoli) - istnieje wysokie ryzyko pożaru i wybuchu!

- Nie należy wkładać ani nie pozwalać żeby obce przedmioty trafiły do otworów wentylacyjnych (zarówno do wlotowych jak i do wylotowych), gdyż może to spowodować porażenie prądem, pożar lub zniszczenie konwektora.
- Urządzenie nie nadaje się do celów hodowlanych, przeznaczone jest jedynie do użytku domowego!
- Nie blokować przepływu powietrza na wewnątrz oraz na zewnątrz zasłaniając go rzeczami w odległości co najmniej 100 cm od konwektora z tyłu oraz z przodu.
- Najczęstszą przyczyną przegrzewania urządzenia jest nagromadzenie kłaczek i pyłu wewnątrz korpusu. Należy regularnie czyścić otwory wentylacyjne odkurzaczem. Przed tym jak to zrobić, konieczne jest odłączenie urządzenia od sieci.
- Nie wolno dotykać urządzenia mokrymi ani wilgotnymi rękoma - istnieje zagrożenie życia!
- Gniazdko musi być dostępne w każdej chwili, tak, żeby w razie konieczności można było jak najszybciej wyjąć wtyczkę! Nigdy nie wolno ciągnąć za przewód zasilający lub same urządzenie w celu odłączenia od zasilania.
- Zanotować sobie! Powietrze wylatujące z konwektora w czasie pracy się nagrzewa (do temperatury ponad 100°C).
- Jeśli przewód zasilający urządzenie ulegnie uszkodzeniu, należy natychmiast przerwać korzystanie z tamtego i skontaktować się ze sprzedawcą / dostawcą na temat otrzymania dalszych instrukcji.
- Nie pokrywać urządzenia. Może to doprowadzić do przegrzania nagrzewnicy.
- Jeśli urządzenie nie jest w porządku lub funkcjonuje nieprawidłowo, należy je wyłączyć, ale nie podejmować prób naprawić go. Na przedmiot jakiego byle remontu należy zwrócić się za pomocą do autoryzowanego centrum serwisowego obsługi posprzedażowej. Tylko w takim centrum serwisowym uszkodzona część zostanie zamieniona na oryginalną część zapasową. Nieprzestrzeżenie tego warunku spowoduje zagrożenie bezpieczeństwu urządzenia.

- W razie podjęcia decyzji zaprzestania korzystania z urządzenia tego typu, zalecamy, aby doprowadzić je do stanu uniemożliwiającego użytkowanie przecinając po odłączeniu od sieci przewód zasilający. Zaleca się również, aby zabezpieczyć się przed wszystkimi zagrożeniami, związanymi z tym urządzeniem, zwłaszcza co do dzieci, które mogłyby wykorzystać z amortyzowanego urządzenia do gry.
- Nigdy nie zostawiać urządzenia włączonym bez potrzeby. Najlepiej odłączyć je od sieci zasilania, gdy nie będzie z niego korzystano przez długi czas.
- Urządzenia nie powinno umieszczać bezpośrednio pod gniazdkiem prądu elektrycznego!
- **Uwaga:** Nie wolno używać urządzenia łącznie z programatorem, licznikiem lub innym urządzeniem do automatycznego włączenia go, gdy urządzenie zostało pokryte lub z powodu nieprawidłowego usytuowania go istnieje ryzyko pożaru.
- Kabel zasilający należy ułożyć tak, aby nie zakłócać ruchu w pobliżu oraz by nikt nie deptał po nim! Stosować wyłącznie atestowane przedłużacze, które są właściwe dla danego produktu, tj. posiadają Znak zgodności!
- Nigdy nie przesuwaj urządzenia ciągnąc za przewód i nie używaj przewodu do przenoszenia przedmiotów!
- Nie wolno zgniatać przewodu, ciągnąc go po ostrych krawędziach, stawiać go na gorącej płycie lub niedaleko ognia!
- Nigdy nie używać grzejnika w pobliżu wanny, prysznicza, zlewu lub basenu do pływania!

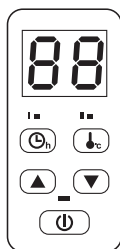
## OPAKOWANIE

- Po rozpakowaniu urządzenia należy sprawdzić, czy podczas transportowania nie zostało ono uszkodzone oraz czy jest w pełni wyposażone! W przypadku stwierdzenia uszkodzeń lub niekompletne dostawy, należy skontaktować się z autoryzowanym sprzedawcą!
- Nie wyrzucać oryginalnego opakowania! Może ono być używane do przechowywania oraz do transportu, w celu uniknięcia uszkodzenia podczas transportowania urządzenia!
- Usuwanie materiałów opakowaniowych należy dokonać w odpowiedni sposób! Zapobiegać jakichkolwiek możliwych sytuacji, gdy dzieci grałyby z plastikowymi workami!

## ZAMONTOWANIE I UŻYTKOWANIE URZĄDZENIA

Przed tym jak po raz pierwszy włączyć konwektor panelowy

- Umieścić grzejnik konwektorowy w prawidłowej pozycji roboczej przed pierwszym podłączeniem go do sieci zasilającej.
- Wybrać odpowiednie miejsce dla urządzenia z uwzględnieniem wskazówek bezpieczeństwa.
- Moc ogrzewcza urządzenia na pozycji "I" jest 800W „, na pozycji "II" stanowi 1200W. Łączna maksymalna moc przy włączeniu obydwu stopni stanowi 2000W.



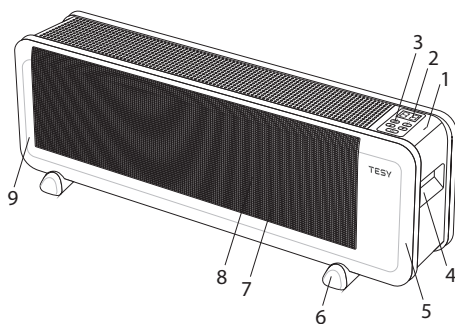
- Urządzenie wyposażone jest w elektroniczny regulator. Aby włączyć elektroniczny regulator, naciśnij przycisk zasilania . Po włączeniu grzejnika konwektorowego zapala się lampka, wskazująca, że grzejnik pracuje na I. stopniu. Aby włączyć drugi stopień ogrzewania, nacisnąć jeden raz przycisk . Naciśnięciem jednego z przycisków lub zmienia się moc ogrzewcza grzejnika konwektorowego.
- Aby ustawić żądaną temperaturę pomieszczenia, którą musi utrzymywać urządzenie, nacisnąć przycisk oznaczony obrazkiem termometru, a następnie naciskając jeden z przycisków lub zmienić wartość wskaźnika temperatury (15°-32°). Symbol termometru będzie się świecił, a cyfrowy wyświetlacz będzie pokazywać zadany poziom temperatury. Po 6 sekundach wyświetlacz przestanie mrugać i będzie dalej wyświetlał aktualną temperaturę w pomieszczeniu.
- Aby ustawić czasomierz, należy nacisnąć przycisk C\_h, co wywołuje wyświetlanie danych zegara. Dalej przyciskami lub zadać liczbę godzin pracy urządzenia, po minięciu którego zadanego czasu ono automatycznie się wyłączy.
- Możliwe stopnie pokazane są indykatorywnie.

## PRZENOSZENIE URZĄDZENIA:

Jeśli niezbędne jest przesunąć urządzenie do innego miejsca, najpierw należy je wyłączyć korzystając z przełącznika, potem odłączyć kabel zasilający od gniazdka i tylko wtedy trzymając obiema rękami za uchwyty przesunąć do nowej lokalizacji. Przenosić grzejnik wolno dopiero po tym jak grzejnik konwektorowy ostygnął (jest zimny). Przeniesienie gorącego urządzenia może doprowadzić do niepożądanych skutków dla konsumentów, takich jak poparzenie lub upadek konwektora na łatwopalne materiały podczas przemieszczenia go.

## OPIS URZĄDZENIA

10. Lampka ostrzegawcza
11. Cyfrowy wyświetlacz
12. Czasomierz
13. Uchwyty
14. Prawa strona grzejnika konwektorowego
15. Nóżki
16. Nagrzewnica MICA
17. Kratka ochronna
18. Lewa strona grzejnika konwektorowego



## ZINTEGROWANY PRZEŁĄCZNIK NA WYPADK PRZEWROCENIA SIĘ (SPADKU) KALORYFERA

Grzejnik konwektorowy posiada wbudowany wyłącznik przewróceniowy - w wypadku przewrócenia się urządzenia zasilanie zostanie wyłączone. Należy zostawić kaloryfer na jakiś czas, aby się ochłodził, a następnie wyprostować go ponownie. Normalny tryb działania urządzenia zostanie odzyskany.

Grzejnik konwektorowy wyposażony jest we wbudowane w urządzenie (automatyczny wyłącznik termiczny), który funkcjonować w trybie automatycznego wyłączania w przypadku przegrzania i ponownego wznowienia ogrzewania, gdy temperatura grzejnika spadnie do normalnego poziomu.

**! Ważne!**  
*Przy pierwszym użyciu grzejnika konwektorowego możliwe jest pojawienie się specyficznego nieprzyjemnego zapachu. Jest to normalne zjawisko w początkowym okresie funkcjonowania urządzenia. W takim przypadku należy upewnić się, że kaloryfer umieszczono w dobrze wentylowanym pomieszczeniu i poczekać, dopóki zapach zniknie. W trakcie nagrzewania się kaloryfera można też usłyszeć specyficzny hałas przypominający stukot. J Jest to normalnie, grzejnik pracuje w normalnym trybie. Jak tylko grzejnik konwektorowy się nagrzeje, ten hałas zniknie.*

**CZYSZCZENIE**

- Pamiętaj, aby najpierw wyłączyć urządzenie poprzez przełącznik i za tym wyjąć wtyczkę z gniazdka. Przed rozpoczęciem czyszczenia konwektora należy zostawić go ostudzić się, odłączony sprzet od sieci.
- Obudowę należy czyścić wilgotną szmatką, odkurzaczem lub szczotką.
- Nie wolno zanurzać urządzenia w wodzie - zagrożenie życia: porażenie prądem!
- Nigdy nie używać benzyny, rozpuszczalników ani żrących ściernych środków czyszczących, które mogą uszkodzić powłokę sprzetu.

**MAGAZYNOWANIE**


- Przed tym jak schować konwektor po użyciu go, zostawić odłączony od sieci sprzet ostudzić się.
- Jeśli konwektor nie będzie używany przez pewien czas, do przechowywania go używać oryginalnego opakowania. Produkt należy chronić przed nadmiernym zakurzeniem i zbrudnieniem przechowując go w oryginalnym opakowaniu.
- Nigdy nie przechowywać do opakowania gorącego urządzenia!
- Produkt powinien być przechowywany w suchym miejscu i chroniony przed bezpośrednim działaniem promieni słonecznych.
- Absolutny zakaz przechowywania go w miejscach wilgotnych lub mokrych.


**ZESTAW W JEDNYM OPAKOWANIU:**

Konwektor elektryczny	1 szt.
Nóżki	2 szt. (lewa i prawa)
Instrukcja obsługi	1 szt.
Karta gwarancyjna	1 szt.

**PARAMETRY TECHNICZNE URZĄDZENIA:**

Model:	Deklarowana moc	Deklarowane napięcie zasilające	Deklarowana częstotliwość prądu elektrycznego
MC2013	2000W	220-240V~	50Hz

 **Uwaga: Aby uniknąć przegrzania, nie nakrywaj urządzenia!**

 **Wytczne dotyczące ochrony środowiska**  
 Stare urządzenia elektryczne zawierają cenne materiały, a zatem nie należy wyrzucać je razem z odpadami z gospodarstwa domowego! Prosimy Państwa, aby pomóc własnym aktywnym wkładem, byśmy zachowali zasoby naturalne i ochronili środowisko. Urządzenia te należy przekazać do punktu zbiórki w celu poddania recyklingowi (gdy takie istnieją).

**TABELA 2 WYMAGI W ZAKRESIE INFORMACJI DOTYCZĄCE ELEKTRYCZNYCH MIEJSCOWYCH OGRZEWACZY POMIESZCZEŃ**

Identyfikator(-y) modelu: MC-2013/HV2001D

Parametr	Oznaczenie	Wartość <sup>1</sup>	Jednostka	Parametr	Jednostka
Moc cieplna				Sposób doprowadzania ciepła wyłącznie w przypadku elektrycznych akumulacyjnych miejscowych ogrzewaczy pomieszczeń (należy wybrać jedną opcję)	
Nominalna moc cieplna	P <sub>nom</sub>	2.0	kW	ręczny regulator doprowadzania ciepła z wbudowanym termostatem	[nie]
Minimalna moc cieplna (orientacyjna)	P <sub>min</sub>	0.0	kW	ręczny regulator doprowadzania ciepła z pomiarem temperatury w pomieszczeniu lub na zewnątrz	[nie]
Maksymalna stała moc cieplna	P <sub>max,C</sub>	1.948	kW	elektroniczny regulator doprowadzania ciepła z pomiarem temperatury w pomieszczeniu lub na zewnątrz	[nie]
Zużycie energii elektrycznej na potrzeby własne				moc cieplna regulowana wentylatorem	[nie]
Przy nominalnej mocy cieplnej	e <sub>lmax</sub>	N/A	kW	<b>Rodzaj mocy cieplnej/regulacja temperatury w pomieszczeniu (należy wybrać jedną opcję)</b>	
Przy nominalnej mocy cieplnej	e <sub>lmin</sub>	N/A	kW	jednostopniowa moc cieplna bez regulacji temperatury w pomieszczeniu	[nie]
W trybie czuwania	e <sub>l SB</sub>	0.000516	kW	co najmniej dwa ręczne stopnie bez regulacji temperatury w pomieszczeniu	[nie]
				mechaniczna regulacja temperatury w pomieszczeniu za pomocą termostatu	[nie]
				elektroniczna regulacja temperatury w pomieszczeniu	[tak]
				elektroniczna regulacja temperatury w pomieszczeniu ze sterownikiem dobowym	[nie]
				elektroniczna regulacja temperatury w pomieszczeniu ze sterownikiem tygodniowym	[nie]
				<b>Inne opcje regulacji (można wybrać kilka)</b>	
				regulacja temperatury w pomieszczeniu z wykrywaniem obecności	[nie]
				regulacja temperatury w pomieszczeniu z wykrywaniem otwartego okna	[nie]
				z regulacją na odległość	[nie]
				z adaptacyjną regulacją startu	[nie]
				z ograniczeniem czasu pracy	[nie]
				z czujnikiem ciepła promieniowania	[nie]

TESY Ltd - Head office  
 1166 Sofia, Sofia Park,  
 Building 16V, Office 2.1. 2nd Floor  
 PHONE: +359 2 902 6666,  
 FAX: +359 2 902 6660,  
 office@tesy.com



*Прочитајте ова упутства пре употребе овог уређаја и чувајте ова упутства за будућу употребу. При промени власника, инструкције се морају пренети заједно са уређајем.*

Хвала што сте одабрали конвектор МС 2013. Ово је уређај који обезбеђује грејање у зимском периоду колико је потребно да се постигне удобна топлата

у загрејаној просторији. Уз правилну употребу и бриге као што је описано у овом упутству, уређај ће обезбедити дугогодишњи корисни рад.

#### **ВАЖНЕ МЕРЕ ПРЕДОСТОРОЖНОСТИ И УПУТСТВА О БЕЗБЕДНОСТИ:**

- Пре спајања уређаја, проверите да ли је напон наведен на типској плочици одговара напону електричне мреже у вашем дому.



*Деца која су мања од три године, морају се држати на удаљености, осим ако нису под сталним надзором.*

*Деца у узрасту од три године до осам година могу користити само дугме укљ. / Искључивање јединице, под условом да је уређај инсталиран и спреман за нормалан рад и она су била под праћењем и су упућена на његову употребу на сигуран начин и разумеју да то може бити опасно.*

*Деца у узрасту од три године до 8 година не би требала укључивати уређај у утичницу, да га постављају да га очисте или да изводе корисничко одржавање.*

*Овај уређај се може користити од стране деце у доби над осам година и од стране особа са смањеним физичким, чулним или менталним способностима, или са недостатком искуства и знања, осим ако су оне под надзором или упућене у сигурно коришћење уређаја и разумеју опасности. Деца не би требало да се играју са уређајем. Чишћење и корисничко одржавање не треба бити учињено од стране деце без надзора.*



*Неки делови овог уређаја могу постати врло врући и изазвати опекотине корисницима. У случају да у просторијама, где се уређај користи су присутна деца и рањиви људи се треба посветити посебна пажња.*

- Овај уређај се мора користити само на сврху за коју је предвиђен, односно за загревање простора за живот. Уређај није намењен за трговачке сврхе. Било која друга употреба може се сматрати некоректном и стога опасном. Произвођач не може бити одговоран за штету насталу услед неправилне и неразумне употребе. Непοштовање информације о безбедности ће поништити узету гаранција уређаја!
- Не излазите из Ваше куће док је уређај укључен: проверите да ли је прекидач у позицији искључено. Увек уклањајте утикач уређаја из утичнице.
- Држите запаљиве предмете као што су намештај, јастуци, постељина, папир, одећа, завесе, итд на растојању од најмање 100 цм од конвекторне пећи.
- Немојте користити уређај у просторијама где се употребљавају или се држе запаљиви материјали. Немојте користити уређај у подручјима са запаљивом атмосфером (нпр. у близини запаљивих гасова или аеросола) - постоји екстремна опасност од експлозије и пожара!
- Не убаците стране предмете или дозволити да падне у вентилационим отворима (долазни или одлазни), јер ће то проузроковати електрични удар, пожар или оштећење у конвектору.
- Уређај није погодан за гајење животиња, а исти је намењен само за кућну употребу!



- Држите улаз и излаз ваздушног протока слободни од предмета: најмање на растојању од 1 м испред и 1 м иза конвектора.
- Најчешћи узрок прегревања је акумулација тканине и прашине у уређају. Редовно усисајте вентилацијске отворе, као што је претходно потребно искључити уређај из електричне мреже.
- Никада не додирујте уређај мокрым или влажним рукама – постоји опасност по живот!
- Утичница мора бити доступна у сваком тренутку да би могло да се утикач ослободи када је то потребно што је могуће брже! Никада не вуците кабл за напајање или сам уређај за искључења из мреже.
- Обратите пажњу! Излазни ваздух се загрева током рада (до више од 100°C).
- Ако кабл овог уређаја је оштећен, прекините његову употребу и обратите се добављачу / продавцу за даља упутства за уклањање проблема у специјализованом сервисном центру.
- Не покривајте уређај. Ако је покривен постоји опасност од прегревања и опасности од пожара.
- Ако уређај није у реду или функционира неисправно, искључите га и немојте га поправљајте. У свим поправкама обратите се сервисном центру за после продајну услугу. Само тамо ће заменити поковарени део са оригиналним резервним. Непоштовање овог услова ће угрозити безбедност уређаја.
- Ако одлучите да престанете да користите уређај овог типа, препоручљиво је да буде неупотребљив, и исећи кабл након што искључите мрежу. Такође се препоручује све опасности повезане са уређајем да буду заштићене, посебно за децу који би могли да користе амортизирани уређај за игру.
- Никада не остављајте уређај укључен непотребно. Искључите га из електричне мреже када нећете га користити дуже време.
- Уређај не треба да буде директно испод кутије утичнице!
- **Пажња:** Немојте користити овај уређај са програматором, тајмером или други уређајима који га аутоматски укључују, јер ако је покривен или погрешно постављен постоји опасност од пожара.
- Прикључите кабл за напајање, тако да не омета кретање људи и да не буде наступљан! Употребљавајте само одобрене продужне каблове који су одговарајући за уређај, односно да имају знак сагласности!
- Никада не премештајте уређај повлачењем кабла и не користите кабл за ношење предмета!
- Немојте савијати кабл и не повуците га преко оштре ивице и на стављајте га на вруће плоче или на отворени пламен!
- Никада немојте користити овај уређај у непосредној близини купаонице, туша или базена!

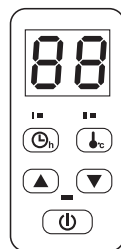
## ПАКОВАЊЕ

- Након што се распаковали уређај, проверите да ли за време превоза није увређен и потпуно опремљен! У случају да се утврди да је оштећен или је непотпуна испорука, обратите се Вашем овлашћеном продавцу!
- Не бацајте оригиналну кутију! Она би могла се користити за складиштење и транспорт да се избегне штета од транспорта!
- Располагање амбалаже мора бити на одговарајући начин! Деца се треба чувати да су под надзором и да се не играју са полиетиленским кесама!

## ИНСТАЛАЦИЈА И КОРИШЋЕЊЕ УРЕЂАЈА

Пре него што укључите Ваши панелни конвектор:

- Поставите конвектор у исправном радном положају пре него што прикључите га у електричну мрежу за напајање.
- Изаберите одговарајућу локацију за јединицу, узимајући у обзир безбедносна упутства.
- Уређај има снагу „I“ је за 1000W, „II“ је за 2000W. Укупна максимална снага када су укључена и два степена је 2000W



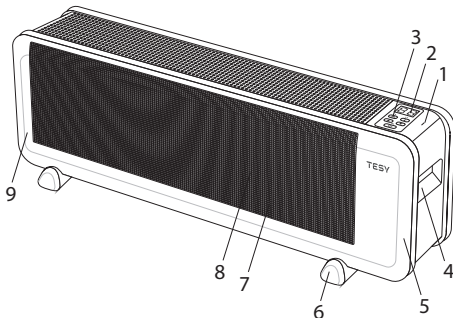
- Уређај је опремљен са електронским регулатором. Да бисте укључили јединицу притисните дугме за напајање . Након укључивања конвектор ће се упалити лампица за индикацију, да укаже да конвектор ради на првом степену. Да бисте пребацили на другом степену, пририсните дугме једном. Притиском неког од дугмади „“ или „“ се мења снага, на коју ради конвектор.
- Да бисте подесили жељену од Вас температуру, коју желите да одржава уређај мора притиснути дугме са индикацијом термометар, а затим притиском неког од дугмади „“ или „“ се промена вредност температуре (15°-32°). Символ термометар ће светлети и дигитални дисплеј ће показати подешену температуру. Након 6 секунди дисплеј ће престати да трепери и ће показати собну температуру.
- Да бисте подесили тајмер притисните дугме , затим ће упалити сат. Помоћу дугмади „“ или „“ број часова, током којих ће уређај радити, а затим ће се аутоматски искључити.
- Могући степени су приказани индикативно.

## ПРЕМешТАЊЕ УРЕЂАЈА:

Ако је премештање потребно искључите прекидачем, искључите плуг из електричне мреже и са обе руке померите уређај на нову локацију, а размештање треба се спровести кад је уређај хладан. Померање топлот уређаја може да доведе до нежељених последица по потрошача, као што су спаљивање или продора запаљивих материјала на конвектор током његовог премештања.

## ОПИС УРЕЂАЈА

1. Сигнална лампица
2. Дигитални дисплеј
3. Тајмер
4. Дршке
5. Десна страна конвектора
6. Ноге
7. МІСА грејач
8. Заштитна решетка
9. Лева страна конвектора



## УГРАЂЕН ПРЕКИДАЧ ЗА ПРЕОКРЕТАЊЕ (ПАДАЊЕ)

Конвектор има уграђен прекидач за преокретање уколико се исти преокрене, напајање ће бити поремећено. Дозволите му мало времена да се охлади и затим исправите га поново. Он ће обновити свој нормалан рад.

## АУТОМАТСКО СИГУРНОСНО ИСКЉУЧИВАЊЕ

У конвектору има уграђени уређај (самоузвратни термопрекидач) који се аутоматски активира и искључује у случају прегревања и ће се наставити при хлађењу температуре уређаја.



### Важно!

Могуће је током првог укључивања уређаја да осетите специфични мирис. То је нормално за почетни период рада. Уверите се да конвектор се налази у добро проветреном простору и оставите га да ради све док мирис нестане. Можете чути специфичан звук, који подсећа на пукање, док се конвектор загрева. То је нормално и конвектор ради у нормалном режиму. Одмах кад се конвектор загреја та бука нестаје.

## ЧИШЋЕЊЕ

- Обавезно прво искључите уређај из зидне утичнице. Пре чишћења конвектора, оставите га да се охлади искључивши га из контакта.
- Очистите корпус са влажном крпом, усисивачем или четком.
- Никада немојте потапати уређај у воду – постоји опасност по живота од струјног удара!
- Никада немојте користити бензин, разређивач или груба абразивна средства за чишћење, јер ће она оштетити површину уређаја.

## СКЛАДИШТЕЊЕ

- Пре складиштење конвектора, оставите га да се охлади искључивши га из контакта.
- Користите оригинално паковање за складиштење конвектора ако исти неће бити коришћен за неко време. Овај уређај је заштићен од прекомерне прашине и прљавштине, ако се враћа у свом оригиналном паковању.
- Никада не враћајте топли уређај у свом паковању!
- Овај уређај треба се чувати на сувом и заштићеном од директне сунчеве светлости месту.
- Изричито се забрањује његово складиштење у влажним или мокрим собама.

## ОПРЕМА У ЈЕДНОМ ПАКЕТУ:

Конвектор	1 комад
Ноге	2 комада (лева и десна)
Инструкција	1 комад
Гарантни лист	1 комад

## ТЕХНИЧКИ ПАРАМЕТРИ УРЕЂАЈА:

Модел	Објављена снага	Објављени напон за најајање	Објављена фреквенција
MC2013	2000W	220-240V~	50Hz




**Упозорење: Да би се избегло прегревање, не покривајте уређај!**



### Упуте за заштиту природне околине

Стари електрични уређаји садрже вредне материјале и стога не би требало их одлагати с комуналним смећем! Молим Вас да сарађујете са својим активним доприносом за заштиту природне околине и пренети уређај организованим центрима за куповање (ако такви постоје).


 Прочитайте дані інструкції перш ніж використовувати цей прилад і зберігайте ці інструкції для майбутнього використання. При зміні власника, інструкції з експлуатації повинні передаватися разом з приладом.

Дякуємо, що Ви вибрали конвектор MC 2013. Цей прилад забезпечує опалення в зимовий період в залежності від потреб досягнення комфортного

тепла в опалювальному приміщенні. При правильній експлуатації і догляду, як описано в цій інструкції, прилад забезпечить Вам багато років корисного функціонування.

### **ВАЖЛИВІ ЗАСТЕРЕЖЕННЯ ТА ІНСТРУКЦІЇ З ТЕХНІКИ БЕЗПЕКИ:**


- Перш ніж увімкнути прилад – переконайтеся, що зазначена напруга на типовій табличці відповідає напрузі, що подається у Ваш будинок.

 Дітей, віком менше 3 років, потрібно тримати на відстані, якщо вони не знаходяться під безперервним наглядом.

Діти, віком від 3 років до 8 років, можуть використовувати лише кнопку ввімк./вимк. приладу, за умови, що прилад встановлений правильно і готовий для нормальної роботи, а діти знаходяться під наглядом і обізнані з його безпечним використанням, і розуміють, що це може бути небезпечно.

Діти, віком від 3 років до 8 років, не повинні вмикати прилад в розетку, налаштовувати його, чистити або виконувати інше обслуговування користувачів.

Цей прилад може використовуватись дітьми старшими 8 років та особами з обмеженими фізичними, сенсорними або розумовими здібностями, чи з недостатнім досвідом та знаннями, якщо вони знаходяться під наглядом, або проінструктовані щодо безпечного використання приладу і розуміють небезпеки. Діти не повинні гратися з приладом. Очищення приладу та обслуговування користувачів не повинні проводитись дітьми без нагляду.

 Деякі частини цього виробу можуть стати дуже гарячими і викликати опіки. Там, де присутні діти та вразливі люди, потрібно приділяти особливу увагу.

- Цей пристрій повинен використовуватися тільки за призначенням, для якого був передбачений: для обігріву побутових приміщень. Прилад не призначений для використання в комерційних цілях. Будь яке інше використання вважається неправильним і тому небезпечним. Виробник не несе відповідальності за пошкодження, що випливають з неправильного і необґрунтованого використання приладу. Недотримання інформаційної безпеки робить недійсною домовлену гарантію на прилад!
- Не виходьте з дому, залишивши прилад включеним. Перед виходом переконайтеся, що вимикач знаходиться у вимкненому положенні. Завжди виймайте вилку приладу з розетки.
- Тримайте легкозаймисті предмети, такі як меблі, подушки, постільна білизна, папір, одяг, штори і т. д. на відстані принаймні 100 см від конвекторного обігрівача.
- Не використовуйте прилад в зонах, де використовуються чи зберігаються вогненебезпечні речовини. Не використовуйте прилад в зонах де є легкозаймисті атмосфери (наприклад: в безпосередній близькості від легкозаймистих газів або аерозолів) - існує дуже велика небезпека вибуху і пожежі!
- Не вставляйте і запобігайте потраплянню сторонніх тіл в отвори для вентиляції (вхідні або вихідні) тому, що це може призвести до ураження електричним струмом, пожежі або до інших ушкоджень конвектора.

- Прилад не підходить для використання для догляду тварин, а призначений тільки для домашнього використання!
- Тримайте вхід і вихід повітряного потоку вільними від сторонніх предметів: принаймні на відстані 1 м перед і 1 м за конвектором.
- Найбільш поширеною причиною перегрівання є скупчення бруду і пилу в приладі. Регулярно чистіть фільтросос вентиляційні отвори, а перед цим обов'язково вимкніть прилад з електричної мережі.
- Ніколи не чіпайте прилад мокрими або вологими руками - існує небезпека для життя!
- Розетка повинна бути доступна в будь-який час для того, щоб можна було при необхідності вийняти вилку якомога швидше! Ніколи не тягніть за шнур живлення при переміщенні або вимкненні приладу з мережі.
- Зверніть увагу! Відпрацьоване повітря нагрівається під час роботи (до вис. ніж 100°C).
- Якщо шнур живлення приладу пошкоджений, припиніть використання приладу і зверніться до постачальника (продавця) для отримання додаткових інструкцій.
- Не накривайте прилад. Якщо його покриття, існує небезпека перегріву й пожежі.
- Якщо прилад не в порядку або функціонує неправильно, вимкніть його з мережі та не ремонтуйте його самі. Для будь-яких ремонтних робіт звертайтеся за допомогою до Сервісного центру з після продажного гарантійного обслуговування. Тільки там можуть замінити пошкоджені частини оригінальними запасними частинами. Недотримання цієї умови порушує безпеку приладу.
- Якщо ви вирішили перестати використовувати прилад цього типу, рекомендується зробити його непридатним для використання, шляхом відрізання шнура живлення, після його вимкнення з мережі. Рекомендується забезпечити всі можливі безпеки, пов'язані з приладом, особливо маючи на увазі дітей, які могли б використовувати амортизований прилад (пристрій) для гри.
- Ніколи не залишайте прилад увімкненим без нагляду та коли це не потрібно. Вимикайте його з електромережі, коли ви його не використовуєте протягом тривалого часу.
- Прилад не повинен бути розміщений безпосередньо під штепсельним ящиком/розеткою!
- Увага: Не використовуйте цей прилад у поєднанні з програматором, лічильником або іншим приладом, який автоматично може його вимкнути, тому, що якщо прилад був покритий або неправильно розміщений, при його ненавмисному вмиканні існує небезпека пожежі
- Вставте шнур живлення, так щоб не заважав руху людей і щоб на нього не наступати! Використовуйте тільки затверджені подовжувачі, які підходять для пристрою, тобто мають знак відповідності!

- Ніколи не переставляйте прилад, тягнучи його за шнур, а також не використовуйте шнур для перенесення предметів!
- Не перегинайте шнур і не перетягуєте його через гострі краї і не доторкайтесь ним до гарячих плит та не наближайте його до відкритого вогню!
- Ніколи не використовуйте цей прилад в безпосередній близькості до ванної або душевої кімнати, чи басейну!

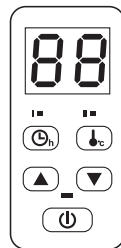
### УПАКОВКА







- Після розпакування приладу, перевірте, чи при транспортуванні прилад не був пошкоджений і чи повністю укомплектований! У разі, якщо встановлено пошкодження або неповне укомплектування приладу, зверніться до Вашого уповноваженого продавця!
- Не викидайте оригінальну коробку! Вона може бути використана для зберігання і транспортування приладу, щоб уникнути пошкоджень під час перевезення!
- Викидання пакувальних матеріалів проводиться належним чином! Діти не повинні гратися поліетиленовими мішками!

### УСТАНОВКА І ВИКОРИСТАННЯ ПРИЛАДУ


Перед тим як включити Ваш прилад конвектор

- Поставте конвектор у правильне робоче положення, перш ніж включити його в електричну мережу
- Виберіть відповідне місце для приладу, враховуючи вимоги інструкції по техніці безпеки
- Прилад має дві ступені потужності: „I” - 1000 Вт, „II” - 2000 Вт. Загальна максимальна потужність, коли вмикаються обидві ступені – 2000 Вт.



- Прилад оснащений терморегулятором (термостатом). Щоб ввімкнути прилад натисніть кнопку ввімкн./вимкн. . Після вмикання конвектора засвітиться лампочка підсвічування для індикації того, що конвектор працює на I-й ступені. Для того, щоб вимкнути і другу ступінь, натисніть кнопку  один раз. Шляхом натискання кнопки  чи  змінює потужність, на якій працює конвектор.
- Для того, щоб налаштувати температуру, яку Ви бажаєте, щоб підтримував прилад, потрібно натиснути кнопку  із зображенням термометра, після чого шляхом натискання будь-якої кнопки 

"чи" "▼" буде змінюватись значення температури (15°-32°). Кнопка із зображенням термометра засвітиться і цифровий дисплей буде показувати задану температуру. Через 6 секунд дисплей перестане мигати і покаже кімнатну температуру.

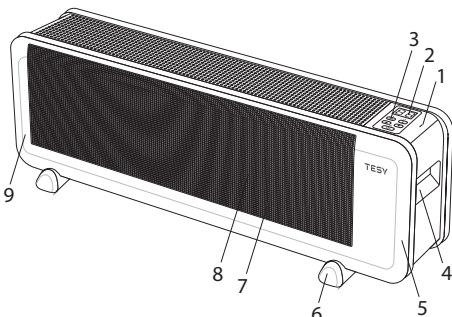
- Для налаштування таймера натисніть кнопку , після чого засвітиться кнопка із зображенням годинника. За допомогою кнопок "▲" или "▼" задайте кількість годин, після яких прилад буде вмикатись і після яких буде автоматично вимикатись.
- Можливі ступені вказані індикативно.

### ПЕРЕМІЩЕННЯ ПРИЛАДУ:

Якщо потрібно перемістити прилад, вимкніть живлення за допомогою кнопки ввімкн./вимкн., вийміть вилку з розетки, і обома руками перемістіть прилад на нове місце, при чому переміщення необхідно робити, коли конвектор холодний (оолов). Переміщення нагрітого приладу може призвести до небажаних наслідків для користувачів, таких, як опік або потрапляння легкозаймистих матеріалів на конвектор під час його переміщення.

### ОПИС ПРИЛАДУ

1. Сигнальна лампочка
2. Цифровий дисплей
3. Таймер
4. Ручки
5. Права сторона конвектора
6. Ніжки
7. MICA обігрівач
8. Запобіжна решітка
9. Ліва сторона конвектора



### ВБУДОВАНИЙ ВИМИКАЧ В РАЗІ ПЕРЕКИДАННЯ (ПАДІННЯ)

Конвектор має вбудований вимикач в разі перекидання, якщо прилад перекинеться, напруга живлення буде перервана. Залиште його на деякий час поки охолоне і потім його знову випряміть. Він відновити свою нормальну роботу.

### АВТОМАТИЧНЕ ЗАХИСНЕ ВІДКЛЮЧЕННЯ

Конвектор має і вбудований пристрій (самовідновлювальний термовимикач), який автоматично спрацює і відключиться у разі перегріву і відновлює роботу при охолодженні температури приладу.



### Важливо!

При першому вмиканні можлива поява специфічних запахів. Це нормально для початкового періоду роботи. Переконайтеся, що конвектор розміщений у добре вентильованому приміщенні і залиште його працювати, поки зникне запах. Можлива поява і специфічного шуму, схожого на потрiскування, в період поки конвектор нагрівається. Це нормально і конвектор працює в звичайному режимі. Відразу, як конвектор нагріється, цей шум зникне.

### ОЧИЩЕННЯ

- Обов'язково спочатку вимкніть прилад з допомогою вимикача і вийміть вилку з розетки в стіні. Перш ніж почати чистити конвектор, дайте йому охолонути, після його вимкнення з розетки
- Очищайте корпус вологою ганчіркою, пилососом або щіткою.
- Ніколи не мочіть прилад водою - існує небезпека для життя від ураження електричним струмом!
- Ніколи не використовуйте бензину, розчинників або грубих абразивних засобів для чищення, так як вони можуть пошкодити покриття приладу.

### ЗБЕРІГАННЯ

- Перед тим, як сховати конвектор у відведене для зберігання місце, дайте йому охолонути, вимкнувши його з розетки.
- Використовуйте оригінальну упаковку для зберігання конвектора, коли він не використовується протягом деякого часу. Зберігання виробу в оригінальній упаковці захищає його від надмірного пилу і бруду.
- Ніколи не вкладайте теплий прилад в упаковку!
- Прилад необхідно зберігати в сухому і захищеному від прямих сонячних променів місці.
- Строго забороняється зберігання приладу у вологих або мокрих приміщеннях.

### КОМПЛЕКТУВАННЯ ОДНІЄЇ УПАКОВКИ:

Конвектор	1 шт.
Ніжки	2 шт. (ліва і права)
Інструкція	1 шт.
Гарантійний талон	1 шт.

### ТЕХНІЧНІ ПАРАМЕТРИ ПРИЛАДУ:

Модель	Оголошена потужність	Оголошена напруга живлення	Оголошена частота
MC2013	2000 Вт	230 В ~	50 Гц



**Увага: щоб уникнути перегріву, не накривайте прилад!**



### Інструкції з охорони навколишнього середовища

Старі електричні прилади містять цінні матеріали, тому їх не треба викидати разом з побутовим сміттям! Просимо Вас сприяти захисту навколишнього середовища своїм активним внеском і передавати використані прилади в організовані відповідні пункти (якщо такі є).



*Lugege käesolev juhend läbi enne selle seadme kasutamist ja säilige käesolev kasutus- ja hoidmisjuhend tulevaseks kasutamiseks. Omaniku vahetamise korral tuleb kasutusjuhend koos seadmega üle anda!*

Täname teid, et te valisite konvektori MC 2013. See on toode, mis pakub kütet talvel olenes mugava soojuse vajaduste saavutamiseks kütavas ruumis. Nagu on

kirjeldatud selles kasutusjuhendis, garanteerib seade teid pikaajalist kasulikku funktsioneerimist õige kasutuse ja hoolitsuse korral.

#### **OLULISED PREVENTIIVSED MEETMED JA OHUTUSJUHENDID:**

- Enne seadme sisselülitamist kontrollige kas tüübisildil toodud pinge vastab teie kodus olevale elektrivõrgu pingele.



*Alla 3-aastased lapsed tuleb eemale hoida, kui nad ei ole pideva järelevalve all.*

*3 kuni 8-aastased lapsed võivad ainult seadme sisse/välja nuppu kasutada juhul, kui seade on installitud ja valmis tavalise töö jaoks ning nad on järelevalve all ja instrueeritud seadme ohutu kasutuse kohta ja saavad ohtudest aru.*

*3 kuni 8-aastased lapsed ei tohi seadet kontaktpesasse sisse lülitada, seadistada, puhastada või kasutaja hooldust teha.*

*See seade võib kasutada üle 8-aastaste laste ja füüsiliste, meeleliste või vaimsete oskustega või ebapiisavate kogemuse ja teadmistega isikute poolt, kui nad on järgitud või instrueeritud seadme ohutu kasutamise kohta ja saavad ohtudest aru. Lapsed ei tohi seadmega mängida. Puhastamist ja kasutaja hooldust ei tohi lapsed teha, kes ei ole järelevalve all.*



*Selle toote mõned osad võivad väga kuumaks saada ja põletusi tekitada. Seal, kus asuvad lapsed ja haavatavad isikud, tuleb pöörata eritähelepanu.*

- Seade kasutatakse ainult selleks eesmärgiks, mille jaoks on ettenähtud, ehk kodu ruumide kütmiseks. Seade ei ole ettenähtud ärieesmärgiks. Iga muu kasutamine peetakse ebaõigeks ja seetõttu ohtlikuks. Tootja ei vastuta ebaõige või ebamõistliku kasutamise tõttu tekkinud rikete eest. Ohutusinfost mitte kinnipidamine teeb seadme vastuvõetud garantii kehtetuks!
- Ärge minge kodust välja niikaua kui seade on sisselülitatud: veenduge, et lüliti on välja lülitatud asendis. Alati võtke seadme pistik pistikupesast välja.
- Hoidke kergsüttivad esemed, nagu mööblid, padjad, voodipesu, paber, riided, kardinad jne vähemalt 100 cm kaugusel konvektor-soojendist.
- Ärge kasutage seadet piirkondades, kus kasutatakse või hoitakse tuleohtlikke aineid. Ärge kasutage seadet piirkondades, kus on olemas süttivaid
- öhkkondi (näiteks: kergsüttivate gaaside või aerosoolide lähedal), kuna on olemas väga suur plahvatuse või tulekahju oht!
- Ärge sisestage ja laske väliskehasid (sisenevate või väljuvate) ventilatsioonivahendite sisse soojusventilaatoriga mudelite korral, sest see võib elektrilööki või tulekahju tekitada või seadet kahjustada.
- Seade ei sobi loomade kasvatamiseks ning on ettenähtud ainult kodukasutuse jaoks!
- Hoidke õhuvoolu väljapääsu esemetest vaba: vähemalt konvektorist 1 m ees ja 1 m taga kaugusel.
- Kõike sagedasem ülekuumenemise põhjuseks on seadmesse kiude ja tolmu kogumine. Puhastage ventilatsiooniavad tolmuimejaga regulaarselt ning enne seda seade tuleb kindlalt elektrivõrgust välja lülitada.



- Seadet märja kätega mitte kunagi puudutada, sest see on eluohtlik!
- Pistikupesa peab koguaeg kättesaadav olema selleks, et pistik saaks võimalikult kiiresti elektrivooluvõrgust välja võtta! Voolujuhet või seadet ise mitte kunagi tõmmata elektrivõrgust välja.
- Tähelepanu! Väljuv õhk soojeneb töötamise ajal (kuni üle 100 kraadini).
- Kui seadme voolujuhe on katki, katkestage selle kasutat ja võtke turustajaga/müüjaga ühendust, et lisa juhendid rikke kõrvaldamiseks spetsialiseeritud teeninduskeskuses saada.
- Ärge katke seadet. Katmise korral võib seade üle kuumendada ja tulekahju tekkida.
- Kui seade ei ole korras või töötab ebaõigelt, peatage see ja ärge seda ise parandage. Igasuguste paranduste jaoks tuleb Müügiigirgssesse Teeninduskeskusesse pöörduda. Ainult seal vahetatakse katkine osa. Sellest tingimusest mitte kinnipidamisel kahjustatakse seadme ohutus.
- Kui otsustate, et te seda liiki seadet enam ei kasutada, on soovitatav, et te teeksite seda mitte kasutatavaks juhtme äralõikamise kaudu pärast elektrivõrgust lahti ühendamist. Soovitatakse ka kõik seadmega seotud ohud ohutuks teha, eriti laste jaoks, kes võivad amortiseeritud seadist (seadet) mängimiseks kasutada.
- Seadet mitte kunagi asjata sisselülitatuna jätta. Lülitage seade elektrivõrgust välja, mil te seda pikaajaliseks ei kasuta.
- Seadet ei tohi otse pistikutoosi alla panna!
- **Tähelepanu:** Ärge seadet kasutage programmaatoriga, loendajaga või muu seadisega, mis lülitab seadme automaatselt sisse, kuna kui seade on kaetud on olemas tulekahjuoht.
- Pange voolujuhe nii, et see inimeste liikumist ei takistaks ja selle peale ei saaks astuda! Kasutage ainult lubatud pikendusjuhtmed, mis sobivad seadmele ehk neil on vastavuse märk!
- Seadet mitte kunagi ümber paigaldada juhtmega tõmmates ja juhete mitte esemete viimiseks kasutada!
- Ärge katkege juhete ja ärge seda läbi teravate servade tõmmake ja ärge pange seda kuumade plaatide või liigipääsetava lõke peale!
- Seda seadet mitte kunagi vannitoe, duši või ujula otsesel lähedusel kasutada!

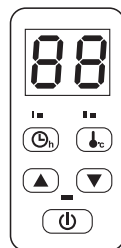
## PAKEND

- Pärast seadme pakendist väljavõtmist kontrollige kas seade ei ole transpordimisel rikki läinud, kontrollige kas seade on täielikult pakitud! Juhul kui on kindlaksmääratud rike või ebatäielik kohaletoimetamine, siis tuleb teie pädeva müüjaga ühendust võtta!
- Originaali pakendit mitte ära viisata! Seda võib hoidmiseks või transportimiseks kasutada rikete vältimiseks vedamise tulemusena!
- Pakendi materjali äraviskamine tuleb sobival viisil toimuda! Lapsed tuleb eemale hoida selleks, et nad ei mängiks polüetüleeni kottidega!

## SEADME INSTALLIMINE JA KASUTAMINE

Enne teie paneelkonvektori sisselülitamist

- Pange konvektor õigesse tööasendisse enne selle elektrivooluvõrgusse sisselülitamist.
- Valige sobiv koht seadme jaoks, ohutusjuhenditest kinni pidades.
- Seadmel on järgmine võimsus: „I“ 1000W jaoks, „II“ 2000W jaoks. Kogu maksimaalne võimsus, kui kaks astet on sisselülitatud on 2000W



- Seadmel on elektrooniline regulaator. Seadme sisselülitamiseks tuleb sisselülitamise nupule ⏻ vajutada. Pärast konvektori sisselülitamist hakkab näidulamp põlema ja näitab, et seade töötab I astmes. Teise astme sisselülitamiseks tuleb nupule ▲ ükskord vajutada. Nuppudele ▲ või ▼ vajutades muudetakse võimsus, millega konvektor töötab.
- Soovitud temperatuuri seadistamiseks, mida tahate, et seade hoiaks, tuleb nupule ⏴ vajutada, kus on näidatud termomeeter, seejärel ühele nupule ▲ või ▼ vajutades muudetakse temperatuuri väärtus (15°-32°). Termoteetri sümbol põleb ja digitaalsel ekraanil näidatakse seadistatud temperatuur. 6 sekundi pärast lõpetab vilkumise ja näitab toatemperatuuri.
- Taimeri seadistamiseks tuleb nupule ⌚ vajutada, seejärel põleb kell. Nupule ▲ või ▼ vajutades seadistage tundide arv, mille jooksul seade töötab ja seejärel lülitab end ise automaatselt välja.
- Võimalikud astmed on näitavalt toodud.

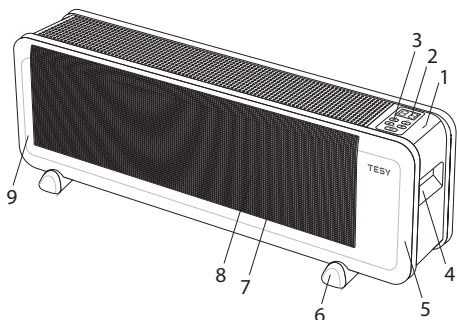


## SEADME ÜMBERPAIGALDAMINE:

Kui on vaja seadme ümberpaigaldamist, lülitage seadme välja topeltlüliti kaudu, võtke pistik kontaktpesast välja ja pange seade kahe käega uute kohta, kusjuures seadme ümberpaigaldamine peab toimuma, mil konvektor on külm (jahutatud). Sooja seadme ümberpaigaldamine võib ebasoovitav tagantjõrgi kasutajale olla, nagu põletus või kergsüttivate esemete konvektorile sattumine.

## SEADME KIRJELDUS

1. Signaallamp
2. Digitaalne ekraan
3. Taimer
4. Käepidemed
5. Konvektori parem pool
6. Jalad
7. MICA kuumuti
8. Kaitse võre
9. Konvektori vasak pool



## SISSEHITATUD ÜBERPÖÖRAMISE (KUKKUMISE) VÄLJALÜLITI

Konvektoril on sisseehitatud ümberpööramise väljalüliti. Juhul kui konvektor pöörab end üles, saab toite pinget katkestatud. Jätke konvektor mõneks ajaks jahtuma ja siis pange see jälle püsti. Konvektor taastab oma normaalsed tööd.

## AUTOMAATNE KAITSE VÄLJALÜLITAMINE

Konvektori sees on sisseehitatud seadis (taastuv termoväljalüliti), mis paneb end ise käima ja lülitab end ise välja automaatselt ülekuumenemise korral ja taastub seadme temperatuuri jahtumisel.



### Tähelepanu!

Esimesel sisselülitamisel on võimalik, et te tunnete spetsiifilist haisu. See on normaalne esmase töötamise perioodi ajal. Veenduge, et konvektor on pandud hästi ventileeritud ruumis ja jätke see töötama kuni hais üle läheb. On ka võimalik, et te kuulsite spetsiifilist müra, mis meenutab praksatust. See on normaalne ja konvektor töötab normaalses režiimis. Niipea kui konvektor soojeneb läheb see müra üle.

## PUHASTAMINE

- Esmalt tuleb seade kindlalt lülitiga välja lülitada ja seina kontaktist välja tõmmata. Enne kui te hakkate konvektorit puhastama tuleb see jahtuma lasta kontaktpesast väljalülitamise kaudu.
- Puhastage korpust märja rätikuga, tolmuimejaga või harjaga.
- Seadet mitte kunagi vette uppuda, kuna on olemas elektrilöögi eluohu!
- Bensiini, lahusti või abrasiivseid tooraineid mitte kunagi kasutada, kuna nad kahjustavad seadme katet.

## HOID

- Enne konvektori ärapanemist tuleb see jahtuma lasta pistikupesast välja lülitamise kaudu.
- Konvektori hoidmiseks kasutage originaalset pakendit, kui seadet ei kasutata mõneks ajaks. Toode kaitstakse liigse tolmamise ja reostamise vastu selle originaalsesse pakendisse ärapanemise kaudu.
- Sooja seadet mitte kunagi sellesse pakendisse ära panna!
- Seade tuleb kuivas ja kaitstud otsese päikesevalguse eest kohas hoida.
- Seadme hoidmine niisketes või märgades ruumides on rangelt keelatud.

## ÜHE PAKENDI KOMPLEKT:

konvektor	1
jalga (vasak ja parem)	2
kasutus- ja hoidmisjuhend	1
garantiikaart	1

## SEADME TEHNILISED PARAMEETRID:

Mudel	Teatatud võimsus	Teatatud voolupinge	Teatatud sagedus
MC2013	2000W	220-240V~	50Hz



**Tähelepanu: Ülekuumenemist vältimiseks seadist mitte katta!**




### Juhendid miljöösäästmise kohta

Vanad elektriseadmed sisaldavad väärtuslikke materjale ja selle pärast ei tohi neid koos koduprügiga ära visata! Palume teie aktiivse koostöö eest ressurside ja miljöösäästmiseks ja seadme korraldatud kokkukuustu punktidele (kui selliseid on olemas) üle anda.

**TABEL 2 ELEKTRI-KOHTKÜTTESEADMETE KOHTA NÕUTAV TEAVE**
**Mudeli tunnuskood(id):** MC-2013/HV2001D

Näitaja	Tähis	Väärtus1.	Ühik	Näitaja	Ühik
Soojusvõimsus				Sissetuleva soojuste liik, üksnes elektriliste soojust salvestavate kohtkütteseadmete puhul (valige üks)	
Nimisoojusvõimsus	$P_{nom}$	2.0	kW	Soojushulga käsijuhtseadis sisseehitatud termostaadiga	[ei]
"Minimaalne soojusvõimsus (soovituslik)"	$P_{min}$	0.0	kW	Soojushulga käsijuhtseadis toa- ja/või välistemperatuuri tagasisidega	[ei]
"Maksimaalne pidev soojusvõimsus"	$P_{max,C}$	1.948	kW	"Elektrooniline soojushulga juhtseadis toa- ja/või välistemperatuuri tagasisidega"	[ei]
"Lisaelektrienergia tarbimine"				Ventilaatoriga muudetav soojusvõimsus	[ei]
Nimisoojusvõimsusel	$e_{lmax}$	N/A	kW	<b>Soojusvõimsuse/toatemperatuuri seadistamise viis (valigeüks)</b>	
Minimaalsel soojusvõimsusel	$e_{lmin}$	N/A	kW	"Üheastmelise soojusvõimsusega, toatemperatuuri seadistamise võimaluseta"	[ei]
Ooteseisundis	$e_{lSB}$	0.000516	kW	Kahe või enama käsitsi valitava astmega, toatemperatuuri seadistamise võimaluseta	[ei]
				Toatemperatuuri seadistamine mehaanilise termostaadiga	[ei]
				Toatemperatuuri elektroonilise seadistamisega	[jah]
				"Toatemperatuuri elektroonilise seadistamise ja ööpäevataimeriga"	[ei]
				"Toatemperatuuri elektroonilise seadistamise ja nädalataimeriga"	[ei]
				<b>Muud juhtimisvõimalused (mitu valikut lubatud)</b>	
				"Toatemperatuuri seadistamine koos ruumis viibimise avastamisega"	[ei]
				"Toatemperatuuri seadistamine koos avatud akna avastamisega"	[ei]
				Kaugjuhtimisvõimalusega	[ei]
				Kohaneva käivitusjuhtimisega	[ei]
				Tööajapiiranguga	[ei]
				Musta lambiga anduriga	[ei]

TESY Ltd - Head office  
 1166 Sofia, Sofia Park,  
 Building 16V, Office 2.1. 2nd Floor  
 PHONE: +359 2 902 6666,  
 FAX: +359 2 902 6660,  
**office@tesy.com**


 Прочитајте тековните инструкции пред да го користите овој уред и чувајте ги овие упатства за понатамошна употреба. При промена на сопственикот, упатствата за употреба треба да се пренесува заедно со уредот.

Ви благодариме што го одбравте конвекторот MC 2013. Тоа е уред кој нуди греење во зимата од MC во зависност од потребите за постигнување на

удобната топлина во греењето просторија. При правилна употреба и нега, како што е опишано во овие упатства, уредот ќе ви обезбеди многу години корисно функционирање.

#### **ВАЖНИ ЗАШТИТНИ МЕРИ И УПАТСТВА ЗА БЕЗБЕДНОСТ:**


- Пред да го вклучите уредот - проверете дали наведениот напон на типската табличка одговара на напонот, доставен до вашиот дом.

 Децата на помалку од 3 години, треба да се чуваат надвор, освен ако не се под континуирано следење.

Деца на возраст од 3 години до 8 години можат само да користат копчето вкл. / искл. на уредот, под услов уредот да е инсталиран и е подготвен за нормална работа и биле забележани и наложени за неговата употреба на безбеден начин и разбираат дека може да е опасно.

Деца на возраст од 3 години до 8 години не треба да вклучуваат уредот во штекер, да го дотеруваат, да го чистат или да вршат корисничка поддршка.

Овој уред може да се користи од деца на возраст над 8 години и лица со намалени физички, сензорни или ментални способности, или со недоволни искуство и знаење, ако тие беа забележани или наложени за безбедно користење на уредот от и ги разбираат опасностите. Децата не треба да си играат со уредот. Чистење и потрошувачка одржување не треба да се прави од деца без надзор.

 Некои делови на овој производ може да станат многу жешки и да предизвикаат изгореници. Таму каде, присуствуваат деца и ранливи луѓе, треба да биде доделено посебно внимание.

- Овој уред треба да се користи само за намената за која е бил предвиден, односно да грее битни простории. Уредот не е наменет за комерцијални цели. Секоја различна употреба да се смета за несоодветна и затоа опасна. Производителот не може да носи одговорност за штета кои произлегуваат од неправилна и неразумна употреба. Непочитување на информациите за безбедност ќе го направи невалидно поетата гаранција за уредот!
- Не напуштајте вашиот дом, додека уредот е вклучен: бидете сигурни дека клучот е во исклучена положба. Секогаш го вадете приклучокот на уредот од контактот.
- Чувајте запаливи предмети, како мебел, перници, постелнина, хартија, облека, завеси итн на растојание од најмалку 100 см далеку од конвекторската печка.
- Не користете го уредот во зони каде се користат и чуваат чадат материи. Не користете го уредот во зони со запаливи атмосфери (на пример: во близина на запаливи гасови или аеросоли) - постои многу голема опасност од експлозија и пожар!
- Не оштетувајте и не дозволувајте туѓи тела да падне во отворите за вентилација (дојдовни или појдовни), бидејќи тоа ќе предизвика струен удар, пожар или оштетување во конвекторот.
- Уредот не е погодан за одгледување на животни,

и истиот е предвиден само за домашна употреба!

- Чувајте влезот и излезот на воздушното струење слободни од предмети: барем на растојание од 1 m пред и 1 m зад конвекторот.
- Најчестиот причина за прегревање е акумулација на мов и прав во уредот. Редовно чистете го со правосмукалка отворите за вентилација, како пред тоа задолжително го исклучите уредот од електричната мрежа.
- Никогаш не допирајте уредот со мокри и влажни раце - постои опасност за животот!
- Контактот треба да биде достапен во секое време, за да може приклучокот да биде ослободуван при потреба можно побрзо! Никогаш не влечете го кабелот за напојување или самиот уред при исклучување од мрежата.
- Обрнете внимание! Издувниот воздух се загрева за време на работа (до повеќе од 100°C).
- Ако кабелот за напојување на овој уред е оштетен, престанете неговата употреба и контактирајте со обезбедувачот / продавачот за дополнително инструкции за отстранување на проблемот во специјализиран сервис центар.
- Не покривај уредот. Ако е покриен има опасност од прегревање и опасност од пожар.
- Ако уредот не е во ред или функционира неправилно, запрете го и не го поправајте. За сите поправки контактирајте за помош кон сервисниот центар за попродажни услуги. Само таму ќе заменуваат неисправниот дел со оригинални резервни таква. Не почитувањето на овој услов ќе ја компромитира безбедноста на уредот.
- Ако одлучите да престанете да го користите уредот од овој тип, се препорачува да го направите неупотребливи, како исечете кабелот, откако сте го исклучиле од мрежата. Се препорачува уште сите опасности поврзани со уредот да бидат обезбедени, особено за деца кои би можеле да користат амортизираниот уред (апаратот) за игра.
- Никогаш не оставајте непотребно уредот вклучен. Исклучете го од струја кога нема да го користите подолго време.
- Уредот не треба да се става непосредно под приклучната кутија!
- Внимание: Не користете овој уред со програматор, бројач или друг уред кој автоматски го вклучува бидејќи, ако уредот е покриен или неправилно наместен постои опасност од пожар.
- Ставете го кабелот за напојување, па да не го попречува движењето на луѓето и да не биде наслучен! Користете само одобрени продолжни кабли, кои се погодни за уредот, односно имаат знак за сообразност!

- Никогаш не поместувајте уредот, како го повлекува за кабелот и не користете кабелот за пренесување на предмети!
- Не виткајте кабелот и не го влечете преку остри рабови и не го ставајте врз жешки плочи или отворен оган!
- Никогаш не го користете овој уред во близина на бања, до туш или до базен!

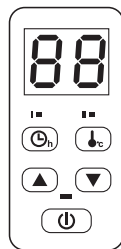
## ПАКУВАЊЕ

- По распакување на уредот, проверете дали при транспортот не е оштетен и дали е целосно опремен! Во случај дека биде констатирано оштетување или нецелосни испоракa, контактирајте со Вашиот овластен продавач!
- Не фрлајте оригиналната кутија! Таа би можела да се користи за складирање и транспорт, за да се избегне оштетување од превозува!
- Фрлањето на амбалажниот материјал треба да станува на соодветен начин! Децата треба да се чуваат да не си играат со полиетиленските торби!

## ИНСТАЛИРАЊЕ И КОРИСТЕЊЕ НА УРЕДОТ


Пред да го вклучите вашиот панелен конвектор:

- Ставете конвекторот во правилна работна позиција пред да го вклучите во електричната мрежа за напојување.
- Изберете соодветно место за уредот, земајќи во предвид упатствата за безбедност.
- Уредот е со моќност „I“ е за 1000W, „II“ е за 2000W. Вкупната максимална моќност кога се вклучат и двете степени е 2000W



- Уредот е со електронски регулатор. За да го вклучите уредот, притиснете го копчето за вклучување ⏻. Откако вклучите конвекторот ќе светне сијаличката за индикација дека конвекторот работи на I-ва степен. За да го вклучите и втората степен притиснете копчето ▲ еден пат. Со притискање на едно од копчињата ▲ или ▼ се менува моќноста на која работи конвекторот.
- За да поставите саканата температура која сакате да поддржува уредот, треба да кликнете на копчето ⏴ со индикација термометар, по што со притискање на едно од копчињата ▲ или ▼ се менува вредноста на температурата. Символот со термометарот

ќе светне и дигиталниот дисплеј ќе покажува подесената температура (15°-32°). По 6 секунди екранот ќе престане да трепка и ќе покаже собна температура.

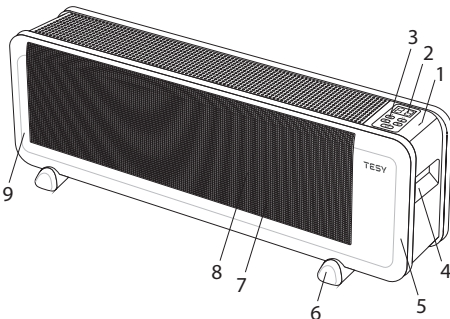
- За да поставите тајмерот притиснете копчето , по што ќе светне часовникот. Со копчињата “▲” или “▼” поставете бројот на часови во кои уредот ќе работи и по што автоматски ќе се исклучи.
- Можните степени се прикажани индикативно.

**ПОМЕСТУВАЊЕ НА УРЕДОТ:**

Ако е потребно поместување на уредот, исклучете преку двојниот клуч, извадете плуг од контактот и со две раце преку рачките поместете го уредот на новата локација, како преместувањето е потребно да се оствари при ладен (изладен) конвектор. Преместувањето на топол уред може да доведе до несакани последици за корисникот, како горење или паѓање на запаливи материјали врз конвекторот за време на неговото преместување.

**ОПИС НА УРЕДОТ**

1. Сигнална ламба
2. Дигитален дисплеј
3. Тајмер
4. Рачки
5. Десна страница на конвекторот
6. Нозе
7. МІСА грејач
8. Заштитна решетка
9. Лева страница на конвекторот



**ВГРАДЕН ПРЕКИНУВАЧ ЗА ПРЕВРТУВАЊЕ (ПАЃАЊЕ)**

Конвекторот има вграден прекинувач за превртување, во случај дека истиот се преврти, напонот ќе биде прекинат. Оставете го некое време додека се излади и тогаш го исправете повторно. Тој ќе се врати нормалната работа.

**АВТОМАТСКО ЗАШТИТНО ИСКЛУЧУВАЊЕ**

Во конвекторот има ли вграден уред (само повратни термо прекинувач), кој автоматски се активира и исклучува во случај на прегревање и ќе се обнови при ладење на температура на уредот.



**Важно!**

*Можно е при првото вклучување на уредот да се почувствува мирис. Тоа е нормално за почетниот период на работа. Осигурете се дека конвекторот е поставен во добро проветрена просторија и оставете го да работи додека исчезне мирисот. Може да слушнете и специфичен бучава, која наликува на пуцкање додека конвектор се загрева. Тоа е нормално и конвекторот работи во нормален режим. Веднаш штом конвектор се загрее оваа бучава исчезнува.*

**ЧИСТЕЊЕ**

- Задолжително прво исклучете го уредот од клучот на извадете го приклучокот од ѕидниот штекер. Пред да почнете да го чистите конвекторот, оставете го да се излади како го исклучите од контактот.
- Исчистете го куќиштето со влажна крпа, правосмукалка или четка.
- Никогаш не го потопувајте апаратот во вода - опасност за животот од струен удар!
- Никогаш не користете бензин, разредувач или груби абразивни производи за чистење, бидејќи тие ќе го оштетат премазот на уредот.

**СКЛАДИРАЊЕ**

- Пред да приберете конвекторот, оставете го да се излади како го исклучите од контактот.
- Користете оригиналното пакување за складирање на конвекторот ако истиот нема да се користи за некое време. Производот се штити од прекумерната посипување и загадување како се прибира во оригиналното пакување.
- Никогаш не ваѓајте топол уред во пакување му!
- Производот е потребно да се чува на суво и заштитено од директна сончева светлина локација.
- Експлицитно се забранува неговото чување во влажни или мокри простории.

**ОПРЕМУВАЊЕ ВО ЕДЕН ПАКЕТ:**

Конвектор	1 парче
Нозете	2 парчиња (лев и десен)
Упатство	1 парче
Гаранциска карта	1 парче

**ТЕХНИЧЕСКИ ПАРАМЕТРИ НА УРЕДА:**

Модел	Објавена мощност	Објавено захранващо напрежение	Објавена честота
MC2013	2000W	220-240V~	50Hz



**Внимание: за да се избегне прегревање, не покривајте уреда!**



**Указанија за опазване на околната средa**  
Старите електроуреди содржат ценни материјали и поради тоа не треба да се изврвљат заедно с битовата смеџ! Молим Ви да съдействате с активнија си принос за опазване на ресурсите и околната средa и да предоставите уреда в организираниите изкупвателни пунктове(ако има таква).





# TESY

TESY Ltd - Head office  
1166 Sofia, Sofia Park,  
Building 16V, Office 2.1. 2nd Floor  
PHONE: +359 2 902 6666,  
FAX: +359 2 902 6660,  
office@tesy.com