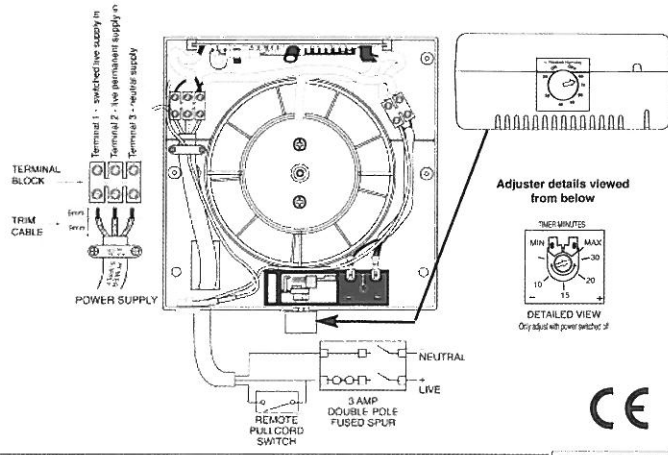


HUMIDITY OPERATED TIME DELAY CONTROL



The timer and humidity adjustments are as the normal instructions

100mm/4", 120mm/5" & 150mm/6" Mechanical Humidity Model with Timer



IMPORTANT :

Switch off mains supply before making any electrical connections. Installation must be supervised by a qualified electrician.

This appliance is not intended for use by persons (including children) with reduced physical, sensory or mental capabilities, or lack of experience and knowledge, unless they have been given supervision or instruction concerning use of the appliance by a person responsible for their safety.

Children should be supervised to ensure that they do not play with the appliance.

Precautions must be taken to avoid the back-flow of gases into the room from the open flue of gas or other open-flre appliances when mounted in outside windows or walls.

Maintenance : Switch off mains supply and isolate the fan before carryout any maintenance.

The front cover can be removed and cleaned with warm soapy water or polish.

The fan impellor and the inside of the fan can be cleaned using a warm damp cloth, care must be taken not to make the electrical connections wet.

It is recommended to check the electrical connections annually.

077217
0408

INSTALLATION INSTRUCTIONS FOR THE
100mm/4" 120mm/5" 150mm/6" ,230mm/9" & 300mm/12"
Range of Humidity, Timer, Mechanical
Humidity Manual, Automatic & Pullcord Fans

WARNING.

- All window fan models are to be installed using a flexible supply cord and are supplied with a supply cord with an internal cord anchorage.
- All wall fan models are for fixed wiring only, a flexible cord must not be used.

THROUGH A WINDOW (ALL MODELS) (DIAGRAMS 1/2/2A).

1. Cut a hole in the glass to suit fan. This is best cut by a qualified glazier, alternatively, measure your window and get a new piece of glass with a pre-cut from your glass merchant and replace.
2. Remove external grille by gently levering the top out with a small screwdriver and remove the four pozidrive screws and separate the two halves. Hold the fan in position over the hole on the inside of the window and then refit the four pozidrive screws from the Outside.

Hole Size Ø	
100mm	115 Ø
120mm	140 Ø
150mm	184 Ø
230mm	260 Ø
300mm	320 Ø

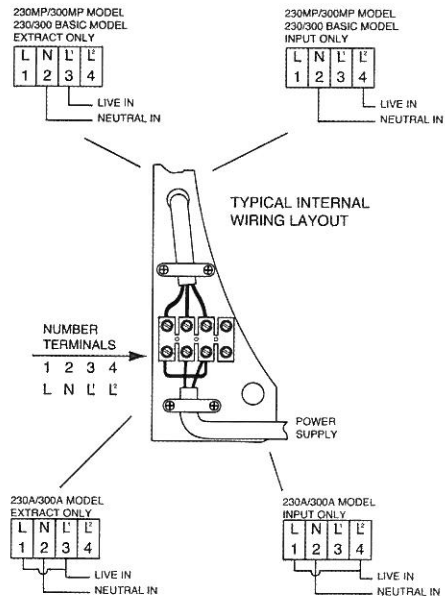
Caution – do not over tighten these screws as it is possible that you might crack the glass, replace the external grille.

3. Electrical: All wiring must comply with current IEE Regulations. If in any doubt call a qualified electrician.
NOTE: All flaps should open and close together. If they do not, remove the second flap and remove and replace until it locates properly. Connect the cable from the fan to a double pole fused spur having a contact separation of at least 3mm in all poles, must be used and fitted with a 3 amp fuse, and should be sited outside any room containing a shower or fixed bath. The fan should not be accessible to a person using either the shower or the bath.

THROUGH WALL FIXING (ALL MODELS) (DIAGRAM 1)

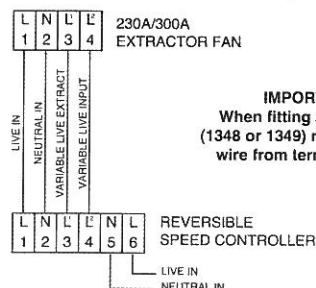
4. Cut a hole through the wall to suit fan and duct then fit the aluminium flexible duct through the wall (wall fixing kit supplied separately 1300/150mm - 1299/230mm - 1301/300mm) making sure that there is a slight tilt to the outside in case any water gets in through the external grille so it will not run into the room. Make good around the duct. If rigid duct is used to install the fan it must be a minimum of 290mm long, if flexible duct is used to install the fan it must be a minimum of 500mm (19 1/2 ") from the fan to the outlet grille
5. Remove the rear grille and casing. Separate the external grille and remove the two hole plugs at the top and bottom of the grille chassis. Hold against the outside wall directly over the duct and drill and plug the fixing holes. Screw the grille chassis to the wall and refit the grille. It is important to make sure that the two fixing holes are one above the other to allow the lugs on the grille to fit properly into their slots the right way up.

WIRING DIAGRAM



WIRING DIAGRAM

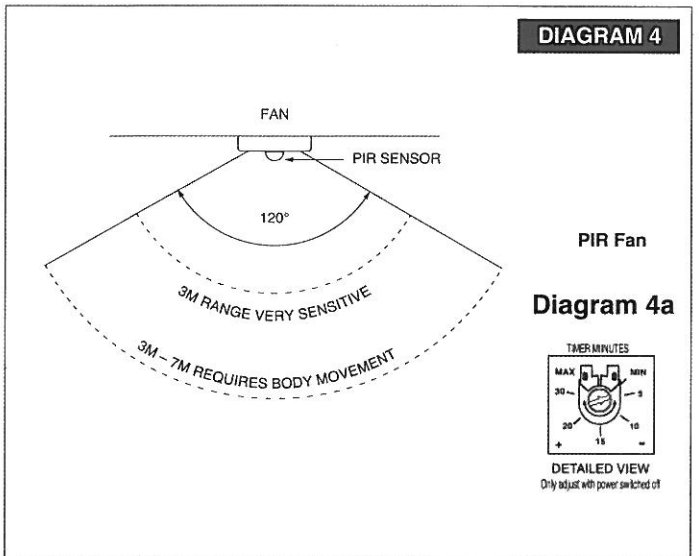
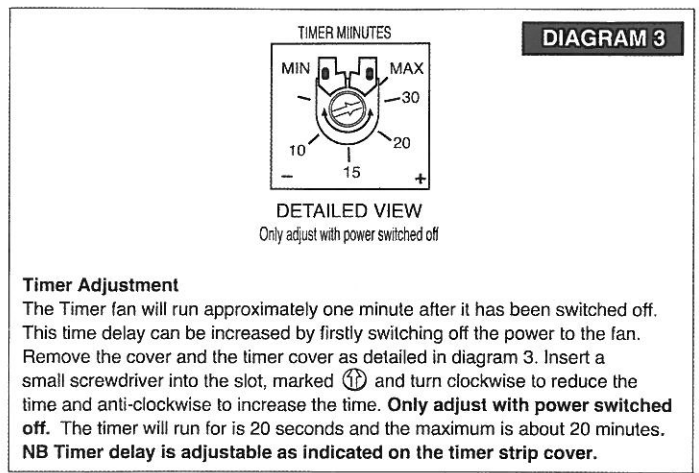
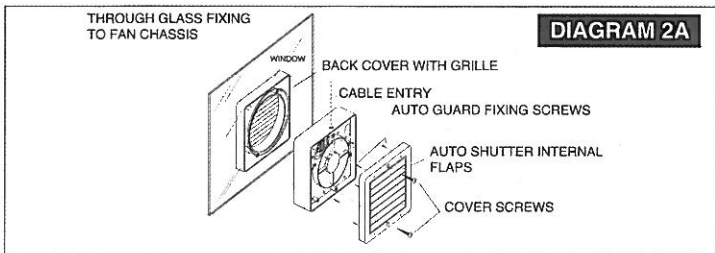
For the 230A/300A model using the reversible 2 speed controller Part No. 1348* and the variable, reversible speed controller part no. 1349*.



IMPORTANT
When fitting a controller (1348 or 1349) remove bridge wire from terminal block.

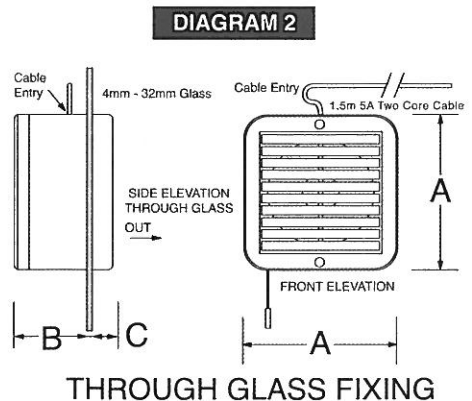
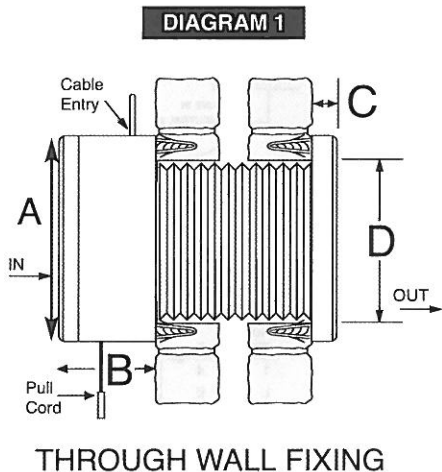
6. Remove the front grille by removing 2-hole plugs concealing 2-fixing screws which secure the front grille assembly to the main chassis. Remove these screws then carefully separate the two halves. Hold the body over the hole, first ensuring that the fan is level then mark four of the six fixing holes available (one in each corner). Drill and plug these holes. Screw the fan to the wall and refit the front grille and replace screw caps.
7. Make the electrical connection as described in Paragraph 3. If in any doubt call a qualified electrician.
8. **Electrical Connections: Humidity Model (DIAGRAM 5)**
For this fan unit to operate as a humidity fan with mechanical switch, a permanent live and neutral supply needs to be connected via a remote switch/fused spur unit. However, should the humidity rise above the pre-set level the Fan will switch on and continue to run until the humidity falls 5% below the pre-set level. In some cases, in a new house for example, the Fan will continue to run for extended periods, as the humidity will be high. It is, therefore, advisable that in normal situations the Fan is pre-set at between 70% and 80% RH. In exceptional circumstances e.g., very humid days in the Summer, the Fan may well switch on at 80%. This is not unusual and a higher setting may be preferable. This can be adjusted by turning the adjuster knob as indicated. (see diagram 3)
9. **Electrical Connections: PIR Model with Timer (DIAGRAM 4)**
The fan is sensitive to movement and will switch on when someone enters a room (according to timer run on) and switch off when room is vacated. Diagram 4 indicates the range of the PIR sensor.
Timer adjustment (DIAGRAM 4)
The fan is fitted with an electronic time delay switch which will run approximately one minute after it has been switched off. The time delay can be increased by firstly switching off the power to the fan, remove the front cover and the inner timer cover. Insert a small screwdriver into the slot, as shown in Diagram 4a. Turning clockwise increases the time and turning anti-clockwise reduces the time. Only adjust with the power switched off.
10. Ratings as marked on fan label. T. Max 40°C

NOTE:
Do not install within a shower cubicle (Use our range of shower fans) or anywhere else where there is a high risk of the fan being sprayed with water.
Fan to be fitted a minimum 2.3 metres from the floor.



Key to dimensions / mm

	A	B	C	D
100mm	163	90	30	98
120mm	182	92	32	118
150mm	203	105	23	150
230mm	286	125	25	230
300mm	362	145	29	300



CAUTION
Precautions must be taken to avoid the back-flow of gases into the room from the open flue of gas or other open-fire appliances when mounted in outside windows or walls.