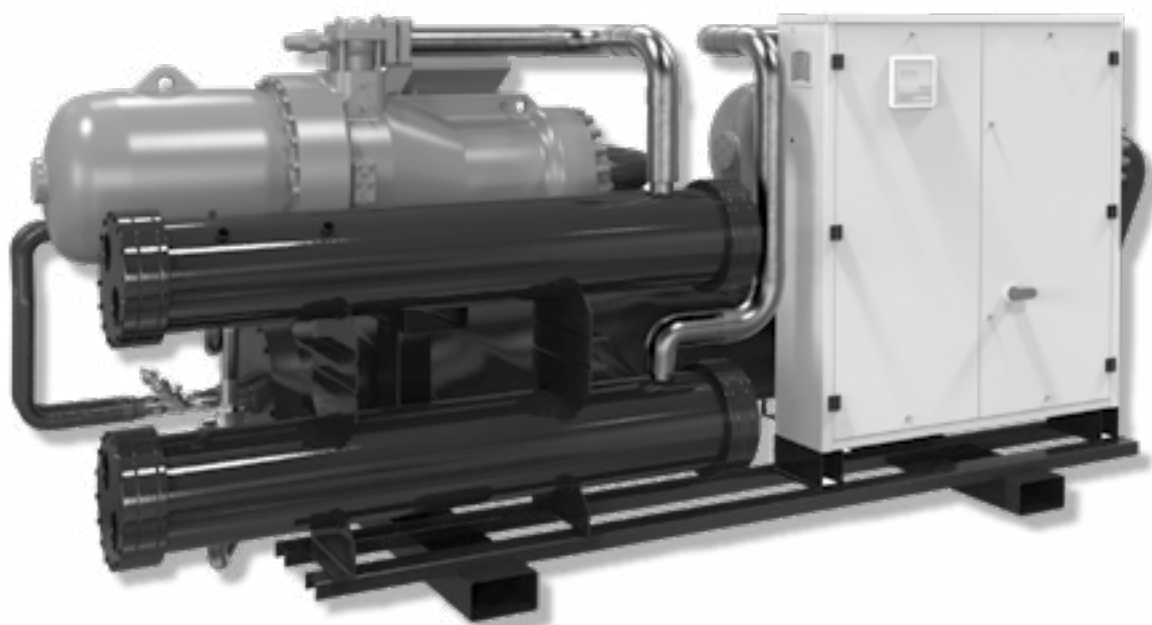


Installation and maintenance manual
 Manuel d'installation et de maintenance
 Installations- und Wartungshandbuch
 Manuale di installazione e di manutenzione
 Manual de instalación y de mantenimiento

SyScrew 440-1550

Water EVO CO/HP/RC



English

Français

Deutsch

Italiano

Español



444
↓
1567 kW



Water/water Cooled Screw Chillers

Réfrigérateurs Froid Seulement eau/eau à compresseurs à vis

Wassergekulte Wasserkühler mit Schraubenkompressoren

Refrigeratori Solo Freddo acqua/acqua con compressori a vite

Refrigeradores Sólo Frío agua/agua con compresores a tornillo

Part number / Code / Code / Codice / Código: **367236/G**

Supersedes / Annule et remplace / Annulliert und ersetzt / Annulla e sostituisce /

Anula y sustituye: **367236/F**

Notified Body / Organisme Notifié / Benannte Zertifizierungsstelle /

Organismo Notificato / Organismo Notificado N°. **0425**



Table of Contents

1 - FOREWORD

1.1 Introduction.....	2
1.2 Warranty.....	2
1.3 Emergency stop/Normal stop.....	2
1.4 An introduction to this manual.....	2

2 - SAFETY

2.1 Foreword.....	3
2.2 Definitions.....	4
2.3 Access to the unit.....	4
2.4 General precautions.....	4
2.5 Precautions against residual risks.....	4
2.6 Precautions during maintenance operations.....	5
2.7 Safety labels.....	6 & 7
2.8 Safety regulations.....	8 to 10

3 - TRANSPORT, LIFTING AND POSITIONING

3.1 Inspection.....	11
3.2 Lifting.....	11
3.3 Anchoring.....	12
3.4 Storage.....	12

4 - INSTALLATION

4.1 Positioning of the unit.....	13
4.2 Spring isolator installation.....	13
4.3 Hydraulic connection of the evaporator.....	14 & 15
4.4 Hydraulic connection of the condenser.....	16
4.5 Hydraulic connections.....	16
4.6 Connection of water temperature sensors (on shell and tube evaporator).....	17
4.7 Connection of water temperature sensors (on shell and tube condenser/s).....	18
4.8 Power supply.....	19
4.9 Electrical connections.....	19 & 20

5 - START-UP

5.1 Preliminary check.....	20
5.2 Start-up.....	20
5.3 Checking the operation.....	20
5.4 Delivery to the customer.....	20

6 - CONTROL

6.1 Display.....	23
6.2 Setpoint.....	25
6.3 Protection and Safety Equipment.....	26

7 - PRODUCT DESCRIPTION

7.1 Introduction.....	27
7.2 General specifications.....	27
7.3 Compressors.....	27
7.4 Refrigeration circuits.....	27
7.5 Water heat exchanger.....	28
7.6 Electrical power supply and control system.....	28
7.7 Accessories.....	28

8 - TECHNICAL DATA

8.1 Pressure drops.....	31
8.2 Technical data.....	33 to 38
8.3 Unit electrical data.....	39 & 40
8.4 Position of shock adsorbers and weight distribution on supports.....	41
8.5 Dimensional Drawings.....	43 to 50
8.6 Service spaces.....	51

9 - MAINTENANCE

9.1 General requirements.....	52
9.2 Planned maintenance.....	52
9.3 Refrigerant charge.....	53
9.4 Compressor.....	53
9.5 Condenser.....	53
9.6 Dehydrating filter.....	53
9.7 Sight glass.....	54
9.8 Electronic expansion valve.....	54
9.9 Evaporator.....	54

10 - TROUBLESHOOTING..... 55

11 - SPARE PARTS

11.1 Spare part list.....	56
11.2 Oil for compressors.....	56
11.3 Wiring diagrams.....	56

12 - DISMANTLING, DEMOLITION AND SCRAPPING

12.1 Generalities.....	57
12.2 RAEE Directive.....	57

1 - Foreword

1.1 Introduction

Units, manufactured to state-of-the-art design and implementation standards, ensure top performance, reliability and fitness to any type of air-conditioning systems.

These units are designed for cooling water or glycoled water (and for water heating in heat pump models) and are unfit for any purposes other than those specified in this manual.

This manual includes all the information required for a proper installation of the units, as well as the relevant operating and maintenance instructions.

It is therefore recommended to read this manual carefully before installation or any operation on the machine. The chiller installation and maintenance must be carried out by skilled personnel only (where possible, by one of Authorised Service Centers).

The manufacturer may not be held liable for any damage to people or property caused by improper installation, start-up and/or improper use of the unit and/or failure to implement the procedures and instructions included in this manual.

1.2 Warranty

These units are delivered complete, tested and ready for being operated. Any form of warranty will become null and void in the event that the appliance is modified without manufacturer's preliminary written authorisation.

This warranty shall apply providing that the installation instructions have been complied with (either issued by manufacturer, or deriving from the current practice), and the Form 1 ("Start-up") has been filled-in and mailed to manufacturer (attn. After-Sales Service).

In order for this warranty to be valid, the following conditions shall be met:

- The machine must be operated only by skilled personnel from Authorised After-Sales Service.
- Maintenance must be performed only by skilled personnel - from one of Authorised After-Sales Centers.
- Use only original spare parts.
- Carry out all the planned maintenance provided for by this manual in a timely and proper way.

Failure to comply with any of these conditions will automatically void the warranty.

1.3 Emergency stop / Normal stop

The emergency stop of the unit can be enabled using the master switch on the control panel (move down the lever).



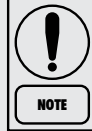

For a normal stop, press the relevant push-buttons.

To restart the appliance, follow the procedure detailed in this manual.

1.4 An introduction to the manual

For safety reasons, it is imperative to follow the instructions given in this manual. In case of any damage caused by non-compliance with these instructions, the warranty will immediately become null and void.

Conventions used throughout the manual:


	The Danger sign recalls your attention to a certain procedure or practice which, if not followed, may result in serious damage to people and property.
	The Warning sign precedes those procedures that, if not followed, may result in serious damage to the appliance.
	The Notes contain important observations.
	The Useful Tips provide valuable information that optimises the efficiency of the appliance.

This manual and its contents, as well as the documentation which accompanies the unit, are and remain the property of manufacturer, which reserves any and all rights thereon. This manual may not be copied, in whole or in part, without manufacturer's written authorization.


2 - Safety


2.1 Foreword

These units must be installed in conformity with the provisions of Machinery Directive 2006/42/EC, Pressure Equipment Directive 2014/68/EU, Electromagnetic Compability Directive 2014/30/EU, as well as with other regulations applicable in the country of installation. If these provisions are not complied with, the unit must not be operated.

	<p>The unit must be grounded, and no installation and/or maintenance operations may be carried out before deenergising the electrical panel of the unit.</p>
---	--


Failure to respect the safety measures mentioned above may result in electrocution hazard and fire in the presence of any short-circuits.


	<p>Inside the heat exchangers, the compressors and the refrigeration lines, this unit contains liquid and gaseous refrigerant under pressure. The release of this refrigerant may be dangerous and cause injuries.</p>
---	--


	<p>The units are not designed to be operated with natural refrigerants, such as hydrocarbons. Manufacturer may not be held liable for any problems deriving from the replacement of original refrigerant or the introduction of hydrocarbons.</p>
---	---


Units are designed and manufactured according to the requirements of European Standard PED 2014/68/EU (pressure vessels directive).


- The used refrigerants are included in group II (non-hazardous fluids).
- The maximum working pressure values are mentioned on the unit's data plate.
- Suitable safety devices (pressure switches and safety valves) have been provided, to prevent any anomalous overpressure inside the plant.
- The vents of the safety valves are positioned and oriented in such a way as to reduce the risk of contact with the operator, in the event that the valve is operated. Anyway, the installer will convey the discharge of the valves far from the unit.
- Dedicated guards (removable panels with tools) and danger signs indicate the presence of hot pipes or components (high surface temperature).

	<p>The guards of the fans (only for RC units, with remote air exchangers) must be always mounted and must never be removed before de-energising the appliance.</p>
---	--

	<p>It is the User's responsibility to ensure that the unit is fit for the conditions of intended use and that both installation and maintenance are carried out by experienced personnel, capable of respecting all the recommendations provided by this manual.</p> <p>It is important that the unit is adequately supported, as detailed in this manual. Non-compliance with these recommendations may create hazardous situations for the personnel.</p>
---	---

	<p>The unit must rest on a base which meets the characteristics specified in this manual; a base with inadequate characteristics is likely to become a source of serious injury to the personnel.</p>
---	---

	<p>The unit has not been design to withstand loads and/or stress that may be transmitted by adjacent units, piping and/or structures.</p> <p>Each external load or stress transmitted to the unit may break or cause breakdowns in the unit's structure, as well as serious dangers to people. In these cases, any form of warranty will automatically become null and void.</p>
---	--

	<p>The packaging material must not be disposed of in the surrounding environment or burnt.</p>
---	--

2 - Safety (continued)

2.2 Definitions

OWNER: means the legal representative of the company, body or individual who owns the plant where unit has been installed; he/she has the responsibility of making sure that all the safety regulations specified in this manual are complied with, along with the national laws in force.

INSTALLER: means the legal representative of the company who has been given by the owner the job of positioning and performing the hydraulic, electric and other connections of unit to the plant; he/she is responsible for handling and properly installing the appliance, as specified in this manual and according to the national regulations in force.

OPERATOR: means a person authorised by the owner to do on unit all the regulation and control operations expressly described in this manual, that must be strictly complied with, without exceeding the scope of the tasks entrusted to him.

ENGINEER: means a person authorised directly by manufacturer or, in all EC countries, excluding Italy, under his full responsibility, by the distributor of product, to perform any routine and extraordinary maintenance operations, as well as any regulation, control, servicing operations and the replacement of pieces, as may be necessary during the life of the unit.

2.3 Access to the unit

The unit must be placed in an area which can be accessed also by OPERATORS and ENGINEERS; otherwise the unit must be surrounded by a fence at not less than 2 meters from the external surface of the machine.

OPERATORS and ENGINEERS must enter the fenced area only after wearing suitable clothing (safety shoes, gloves, helmet etc.). The INSTALLER personnel or any other visitor must always be accompanied by an OPERATOR.

For no reason shall any unauthorised personnel be left alone in contact with the unit.

2.4 General precautions

The OPERATOR must simply use the controls of the unit; he must not open any panel, other than the one providing access to the control module.

The INSTALLER must simply work on the connections between plant and machine; he must not open any panels of the machine and he must not enable any control.

When you approach or work on the unit, follow the precautions listed below:

- do not wear loose clothing or jewellery or any other accessory that may be caught in moving parts
- wear suitable personal protective equipment (gloves, goggles etc.) when you have to work in the presence of free flames (welding operations) or with compressed air
- if the unit is placed in a closed room, wear ear protection devices
- cut off connecting pipes, drain them in order to balance the pressure to the atmospheric value before disconnecting them,

disassemble connections, filters, joints or other line items

- do not use your hands to check for any pressure drops
- use tools in a good state of repair; be sure to have understood the instructions before using them
- be sure to have removed all tools, electrical cables and any other objects before closing and starting the unit again

2.5 Precautions against residual risks

Prevention of residual risks caused by the control system

- be sure to have perfectly understood the operating instructions before carrying out any operation on the control panel
- when you have to work on the control panel, keep always the operating instructions within reach
- start the unit only after you have checked its perfect connection to the plant
- promptly inform the ENGINEER about any alarm involving the unit
- do not reset manual restoration alarms unless you have identified and removed their cause

Prevention of residual mechanical risks

- install the unit according to the instructions provided in this manual
- carry out all the periodical maintenance operations prescribed by this manual
- wear a protective helmet before accessing the interior of the unit
- before opening any panelling of the machine, make sure that it is secured to it by hinges
- do not touch air cooled coils (RC versions) or shell and tube condensers (CO / HP versions) without protective gloves
- do not remove the guards from moving elements while the unit is running
- check the correct position of the moving elements' guards before restarting the unit

Prevention of residual electrical risks

- connect the unit to the mains according to the instructions provided in this manual
- periodically carry out all the maintenance operations specified by this manual
- disconnect the unit from the mains by the external disconnecting switch before opening the electrical board
- check the proper grounding of the unit before start-up
- check all the electrical connections, the connecting cables, and in particular the insulation; replace worn or damaged cables

2 - Safety (continued)

- periodically check the board's internal wiring
- do not use cables having an inadequate section or flying connections, even for limited periods of time or in an emergency

Prevention of other residual risks

- make sure that the connections to the unit conform to the instructions provided in this manual and on the unit's panelling
- if you have to disassemble a piece, make sure that it has been properly mounted again before restarting the unit
- do not touch the delivery pipes from the compressor, the compressor and any other piping or component inside the machine before wearing protective gloves
- keep a fire extinguisher for electrical appliances near the machine
- on the units installed indoor, connect the safety valve of the refrigeration circuit to a piping network that can channel any overflowing refrigerant outside
- remove and leak of fluid inside and outside the unit
- collect the waste liquids and dry any oil spillage
- periodically clean the compressor compartment, to remove any fouling
- do not store flammable liquids near the unit
- do not disperse the refrigerant and the lubricating oil into the environment
- weld only empty pipes; do not approach flames or other sources of heat to refrigerant pipes
- do not bend/hit pipes containing fluids under pressure

2.6 Precautions during maintenance operations

Maintenance operations can be carried out by authorised technicians only.

Before performing any maintenance operations:

- disconnect the unit from the mains with the external disconnecting switch

- place a warning sign "do not turn on - maintenance in progress" on the external disconnecting switch
- make sure that on-off remote controls are inhibited
- wear suitable personal protective equipment (helmet, safety gloves, goggles and shoes etc.)

To carry out any measurements or checks which require the activation of the machine:

- work with the electrical board open only for the necessary time
- close the electrical board as soon as the measurement or check has been completed
- for outdoor units, do not carry out any operations in the presence of dangerous climatic conditions (rain, snow, mist etc.)

The following precautions must be always adopted:

- do not scatter the fluids of the refrigeration circuit in the surrounding environment
- when replacing an eprom or electronic cards, use always suitable devices (extractor, antistatic bracelet, etc.)
- to replace a compressor, the evaporator, the condensing coils or any other weighty element, make sure that the lifting equipment is consistent with the weight to be lifted
- in units connected to a air remote condenser, do not access the fan compartment unless you have disconnected the machine by the disconnecting switch on the board and you have placed a warning sign "do not turn on - maintenance in progress"
- contact manufacturer for any modifications to the refrigeration, hydraulic or wiring diagram of the unit, as well as to its control logics
- contact manufacturer if it is necessary to perform very difficult disassembly and assembly operations
- use only original spare parts purchased directly from manufacturer or the official retailers of the companies on the recommended spare parts list
- contact manufacturer if it is necessary to handle the unit one year after its positioning on site or if you wish to dismantle it.

2 - Safety (continued)

2.7 Safety labels

Identification of the refrigerant - External door						
Electrical warning - Adjacent to the master switch						
<table border="1"> <tr> <td style="text-align: center;"> </td> <td style="text-align: center;"> ATTENZIONE ! Prima di aprire togliere tensione </td> <td style="text-align: center;"> ATTENTION ! Enlever l'alimentation électrique avant d'ouvrir </td> </tr> <tr> <td style="text-align: center;"> ACHTUNG ! Vor öffnen des gehäuses hauptschalter ausschalten </td> <td style="text-align: center;"> CAUTION ! Disconnect electrical supply before opening </td> <td style="text-align: center;"> ATENCIÓN ! Cortar la corriente antes de abrir el aparato </td> </tr> </table>		ATTENZIONE ! Prima di aprire togliere tensione	ATTENTION ! Enlever l'alimentation électrique avant d'ouvrir	ACHTUNG ! Vor öffnen des gehäuses hauptschalter ausschalten	CAUTION ! Disconnect electrical supply before opening	ATENCIÓN ! Cortar la corriente antes de abrir el aparato
	ATTENZIONE ! Prima di aprire togliere tensione	ATTENTION ! Enlever l'alimentation électrique avant d'ouvrir				
ACHTUNG ! Vor öffnen des gehäuses hauptschalter ausschalten	CAUTION ! Disconnect electrical supply before opening	ATENCIÓN ! Cortar la corriente antes de abrir el aparato				
Read the instruction on the electrical board						
On the compressor box						
<table border="1"> <tr> <td style="text-align: center;"> </td> <td style="text-align: center;"> DO NOT OPEN THE PANEL WHILE UNIT IS RUNNING </td> </tr> <tr> <td style="text-align: center;"> </td> <td style="text-align: center;"> WARNING </td> </tr> </table>		DO NOT OPEN THE PANEL WHILE UNIT IS RUNNING		WARNING		
	DO NOT OPEN THE PANEL WHILE UNIT IS RUNNING					
	WARNING					
Circuit drain - Outside, on the right-hand front column						
<table border="1"> <tr> <td style="text-align: center;"> </td> <td> ATTENTION! Don't leave the unit with water inside hydraulic circuit during winter or when it is in stand by. ATTENZIONE! Non lasciare l'unità con acqua nel circuito idraulico durante l'inverno o quando non è funzionante. ATTENTION! Ne laissez pas l'unité avec de l'eau dans le circuit hydraulique pendant l'hiver ou quand elle ne travaille pas. WARNUNG! Lassen Sie nicht das Wasser in die Schaltung während des Winters oder wenn es nicht funktioniert. ¡ATENCIÓN! No deje el agua en el circuito hidráulico durante el invierno o cuando no está trabajando. </td> </tr> </table>		ATTENTION! Don't leave the unit with water inside hydraulic circuit during winter or when it is in stand by. ATTENZIONE! Non lasciare l'unità con acqua nel circuito idraulico durante l'inverno o quando non è funzionante. ATTENTION! Ne laissez pas l'unité avec de l'eau dans le circuit hydraulique pendant l'hiver ou quand elle ne travaille pas. WARNUNG! Lassen Sie nicht das Wasser in die Schaltung während des Winters oder wenn es nicht funktioniert. ¡ATENCIÓN! No deje el agua en el circuito hidráulico durante el invierno o cuando no está trabajando.				
	ATTENTION! Don't leave the unit with water inside hydraulic circuit during winter or when it is in stand by. ATTENZIONE! Non lasciare l'unità con acqua nel circuito idraulico durante l'inverno o quando non è funzionante. ATTENTION! Ne laissez pas l'unité avec de l'eau dans le circuit hydraulique pendant l'hiver ou quand elle ne travaille pas. WARNUNG! Lassen Sie nicht das Wasser in die Schaltung während des Winters oder wenn es nicht funktioniert. ¡ATENCIÓN! No deje el agua en el circuito hidráulico durante el invierno o cuando no está trabajando.					

Identification of the unit - Outside, on the right-hand front column																																																				
<table border="1"> <tr> <td colspan="2"> CODICE PRODOTTO NEUTRO <input type="text"/> PRODUCT CODE </td> </tr> <tr> <td> </td> <td> </td> </tr> <tr> <td colspan="2"> MODELLO <input type="text"/> MODEL </td> </tr> <tr> <td> </td> <td> 0425 </td> </tr> <tr> <td colspan="2"> MO.NO <input type="text"/> </td> </tr> <tr> <td colspan="2"> MATRICOLA <input type="text"/> SERIAL NO. </td> </tr> <tr> <td colspan="2"> ANNO DI COSTRUZIONE <input type="text"/> Manuf. Year </td> </tr> <tr> <td> REFR. <input type="checkbox"/> GWP <input type="checkbox"/> </td> <td> CIRCUIT CHARGE (Kg) <input type="checkbox"/> 1 <input type="checkbox"/> 2 <input type="checkbox"/> 3 <input type="checkbox"/> 4 (tCO₂eq) </td> </tr> <tr> <td colspan="2"> PS (LATO ALTA / LATO BASSA) bar <input type="text"/> PS (HIGH / LOW SIDE) </td> </tr> <tr> <td colspan="2"> TS (ALTA / BASSA) °C <input type="text"/> TS (HIGH / LOW) </td> </tr> <tr> <td colspan="2"> ALIM. POTENZA MAIN SUPPLY V / PH / Hz <input type="text"/> </td> </tr> <tr> <td colspan="2"> CORRENTE DI SPUNTO LRA (max) A <input type="text"/> </td> </tr> <tr> <td colspan="2"> CORRENTE A PIENO CARICO FLA (max) A <input type="text"/> </td> </tr> <tr> <td colspan="2"> POTENZA ASSORBITA POWER INPUT (max) Kw <input type="text"/> </td> </tr> <tr> <td colspan="2"> PRESS. MAX ESERCIZIO ACQUA MAX WATER OPERATING PRESSURE bar <input type="text"/> </td> </tr> <tr> <td colspan="2"> MASSA MASS Kg <input type="text"/> </td> </tr> <tr> <td colspan="2"> SYSTEMAIR S.r.l. Via XXV Aprile 29 20825 BARLASSINA MB ITALIA MADE IN ITALY COD.NO: P35952 </td> </tr> <tr> <td colspan="2"> MODELLO: MODEL </td> </tr> <tr> <td colspan="2"> MATRICOLA: SERIAL NO. </td> </tr> <tr> <td colspan="2"> CODICE: PRODUCT CODE ANNO DI COSTRUZIONE Manuf. Year </td> </tr> <tr> <td colspan="2"> MODELLO: MODEL </td> </tr> <tr> <td colspan="2"> MATRICOLA: SERIAL NO. </td> </tr> <tr> <td colspan="2"> CODICE: PRODUCT CODE ANNO DI COSTRUZIONE Manuf. Year </td> </tr> <tr> <td colspan="2"> MODELLO: MODEL </td> </tr> <tr> <td colspan="2"> MATRICOLA: SERIAL NO. </td> </tr> <tr> <td colspan="2"> CODICE: PRODUCT CODE ANNO DI COSTRUZIONE Manuf. Year </td> </tr> </table>	CODICE PRODOTTO NEUTRO <input type="text"/> PRODUCT CODE				MODELLO <input type="text"/> MODEL			0425	MO.NO <input type="text"/>		MATRICOLA <input type="text"/> SERIAL NO.		ANNO DI COSTRUZIONE <input type="text"/> Manuf. Year		REFR. <input type="checkbox"/> GWP <input type="checkbox"/>	CIRCUIT CHARGE (Kg) <input type="checkbox"/> 1 <input type="checkbox"/> 2 <input type="checkbox"/> 3 <input type="checkbox"/> 4 (tCO ₂ eq)	PS (LATO ALTA / LATO BASSA) bar <input type="text"/> PS (HIGH / LOW SIDE)		TS (ALTA / BASSA) °C <input type="text"/> TS (HIGH / LOW)		ALIM. POTENZA MAIN SUPPLY V / PH / Hz <input type="text"/>		CORRENTE DI SPUNTO LRA (max) A <input type="text"/>		CORRENTE A PIENO CARICO FLA (max) A <input type="text"/>		POTENZA ASSORBITA POWER INPUT (max) Kw <input type="text"/>		PRESS. MAX ESERCIZIO ACQUA MAX WATER OPERATING PRESSURE bar <input type="text"/>		MASSA MASS Kg <input type="text"/>		SYSTEMAIR S.r.l. Via XXV Aprile 29 20825 BARLASSINA MB ITALIA MADE IN ITALY COD.NO: P35952		MODELLO: MODEL		MATRICOLA: SERIAL NO.		CODICE: PRODUCT CODE ANNO DI COSTRUZIONE Manuf. Year		MODELLO: MODEL		MATRICOLA: SERIAL NO.		CODICE: PRODUCT CODE ANNO DI COSTRUZIONE Manuf. Year		MODELLO: MODEL		MATRICOLA: SERIAL NO.		CODICE: PRODUCT CODE ANNO DI COSTRUZIONE Manuf. Year	
CODICE PRODOTTO NEUTRO <input type="text"/> PRODUCT CODE																																																				
MODELLO <input type="text"/> MODEL																																																				
	0425																																																			
MO.NO <input type="text"/>																																																				
MATRICOLA <input type="text"/> SERIAL NO.																																																				
ANNO DI COSTRUZIONE <input type="text"/> Manuf. Year																																																				
REFR. <input type="checkbox"/> GWP <input type="checkbox"/>	CIRCUIT CHARGE (Kg) <input type="checkbox"/> 1 <input type="checkbox"/> 2 <input type="checkbox"/> 3 <input type="checkbox"/> 4 (tCO ₂ eq)																																																			
PS (LATO ALTA / LATO BASSA) bar <input type="text"/> PS (HIGH / LOW SIDE)																																																				
TS (ALTA / BASSA) °C <input type="text"/> TS (HIGH / LOW)																																																				
ALIM. POTENZA MAIN SUPPLY V / PH / Hz <input type="text"/>																																																				
CORRENTE DI SPUNTO LRA (max) A <input type="text"/>																																																				
CORRENTE A PIENO CARICO FLA (max) A <input type="text"/>																																																				
POTENZA ASSORBITA POWER INPUT (max) Kw <input type="text"/>																																																				
PRESS. MAX ESERCIZIO ACQUA MAX WATER OPERATING PRESSURE bar <input type="text"/>																																																				
MASSA MASS Kg <input type="text"/>																																																				
SYSTEMAIR S.r.l. Via XXV Aprile 29 20825 BARLASSINA MB ITALIA MADE IN ITALY COD.NO: P35952																																																				
MODELLO: MODEL																																																				
MATRICOLA: SERIAL NO.																																																				
CODICE: PRODUCT CODE ANNO DI COSTRUZIONE Manuf. Year																																																				
MODELLO: MODEL																																																				
MATRICOLA: SERIAL NO.																																																				
CODICE: PRODUCT CODE ANNO DI COSTRUZIONE Manuf. Year																																																				
MODELLO: MODEL																																																				
MATRICOLA: SERIAL NO.																																																				
CODICE: PRODUCT CODE ANNO DI COSTRUZIONE Manuf. Year																																																				
Gravity centre - Base																																																				
<table border="1"> <tr> <td style="writing-mode: vertical-rl; transform: rotate(180deg);"> TENERE SU QUESTA LINEA GANCIO DI SOLLEVAMENTO </td> <td style="text-align: center;"> </td> <td style="writing-mode: vertical-rl; transform: rotate(180deg);"> KEEP LIFT HOOK ON THIS LINE </td> </tr> </table>	TENERE SU QUESTA LINEA GANCIO DI SOLLEVAMENTO		KEEP LIFT HOOK ON THIS LINE																																																	
TENERE SU QUESTA LINEA GANCIO DI SOLLEVAMENTO		KEEP LIFT HOOK ON THIS LINE																																																		
Grounding connection on the electrical board, adjacent to the connection																																																				

2 - Safety (continued)

Start-up warning - Outside the door of the electrical board

GB ATTENTION, IMPORTANT NOTICE FOR COMMISSIONING

Before the start of mobile work:

- Make the charging connection has been removed.
- Wait at least 30 minutes, compressor suction and discharge valves. Wait the valves have been opened inside cabin.
- At start of mobile commissioning (before the starting test, if necessary) open check the cap.
- Wait for electrical circuit correct installation.
- Wait three to five minutes in the refrigerant circuit.
- Wait the compressor oil level has been checked at least 10 hours before the starting (check compressor body by eye hand).
- The compressor oil level through the compressor sight glass.
- The compressor valve has been correctly closed.

I ATTENZIONE, ISTRUZIONE PER IL PRIMO AVVIAMENTO

Prima di cominciare i lavori:

- Verificare che la connessione di alimentazione sia stata rimossa.
- Attendere almeno 30 minuti, per consentire al compressore di scaricare il refrigerante. Attendere che i valvoloni siano aperti.
- Prima di iniziare i lavori di commissioning (prima del test di avviamento, se necessario) controllare lo stato della valvola di sicurezza.
- Attendere da tre a cinque minuti nel circuito del refrigerante.
- Verificare il livello dell'olio nel compressore almeno 10 ore prima di iniziare i lavori (controllare il corpo del compressore).
- Controllare il livello dell'olio attraverso il vetro di osservazione.
- Verificare che la valvola del compressore sia correttamente chiusa.

D ACHTUNG, WICHTIGE INSTRUCTIONS AN DER WERKSTÄTTE

Beim Inbetriebnahme der Kälteanlage beachten:

- Bevor die Inbetriebnahme beginnt, die Stromzufuhr zum Kompressor nach Abschaltung des Ladegeräts sicherstellen und warten.
- Warten Sie mindestens 30 Minuten, damit das Kältemittel aus den Ventilen abfließen kann.
- Bevor Sie mit dem Inbetriebnahme (vor dem Test) beginnen, überprüfen Sie den Zustand der Sicherheitsventile.
- Warten Sie 3 bis 5 Minuten im Kältemittelsystem.
- Überprüfen Sie das Öl im Kompressor mindestens 10 Stunden vor dem Inbetriebnahme (prüfen Sie das Öl im Kompressor).
- Überprüfen Sie das Öl durch das Ölfenster.
- Überprüfen Sie, ob das Ventil des Kompressors richtig geschlossen ist.

F ATTENTION, INSTRUCTIONS POUR LA PREMIERE MISE EN ROUTE

Avant le démarrage de la machine:

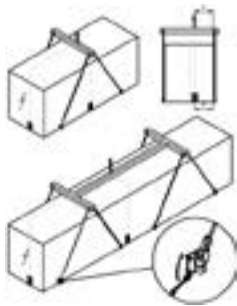
- Assurez-vous que la connexion d'alimentation est supprimée.
- Attendez au moins 30 minutes, pour permettre au compresseur de décharger le réfrigérant. Attendez que les vannes soient ouvertes.
- Avant de commencer les travaux de commissioning (avant le test de démarrage, si nécessaire) vérifiez l'état de la vanne de sécurité.
- Attendez de 3 à 5 minutes dans le circuit du réfrigérant.
- Vérifiez le niveau d'huile du compresseur au moins 10 heures avant de commencer les travaux (vérifiez le corps du compresseur).
- Contrôlez le niveau d'huile à travers le verre d'observation.
- Vérifiez que la vanne du compresseur est correctement fermée.

E ATENCIÓN, INSTRUCCIONES PARA LA PRIMERA PUESTA EN MARCHA

Antes de comenzar los trabajos:

- Eliminar la conexión de alimentación de la máquina.
- Esperar al menos 30 minutos, para permitir que el compresor desahogue el refrigerante. Esperar a que las válvulas estén abiertas.
- Antes de comenzar los trabajos de puesta en marcha (antes de la prueba de arranque, si es necesario) comprobar el estado de la válvula de seguridad.
- Esperar de 3 a 5 minutos en el circuito del refrigerante.
- Comprobar el nivel de aceite del compresor al menos 10 horas antes de comenzar los trabajos (comprobar el cuerpo del compresor).
- Controlar el nivel de aceite a través del vidrio de inspección.
- Comprobar que la válvula del compresor está correctamente cerrada.

Instruction for the lifting



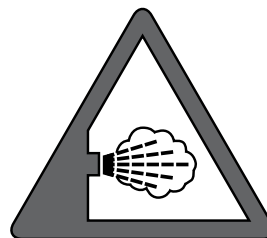
Fitting identification - Adjacent to fittings

EIN - INLET
ENTRÉE - ENTRATA
AUS - OUTLET
SORTIE - USCITA

Final Test Certificate - Inside the external door

QUALITY CHECK PROOF			
MODEL/TYPE MODELLO/TIPO	SERIAL NUMBER-PRODUCTION LOT N° DI SERIE-LOTTO DI PRODUZIONE	P. NUMBER CODE CODICE	MANUFACTURED YEAR ANNO DI COSTRUZIONE
NUMBER CHECK	DESCRIPTION OF INSPECTION	INSPECTOR REFERENCE	
NUMERO CONTROLLI	DESCRIZIONE DEI TEST DI CONTROLLO	TIMBRO OPERATORE	
01	PRELIMINARY PROOF PRESSURE TEST AND LEAK TEST WITH ELIUM AND NITROGEN AT MINIMUM 10 BAR (REFRIGERANT SIDE) IN COMPLIANCE WITH TEST SPECIFICATION - MARK WITH PENS PROVA PRELIMINARE DI PRESSIONE E TENUTA CIRCUITO CON ELIO E AZOTO AD ALMENO 10 BAR (LATO REFRIGERANTE), IN ACCORDO ALLA SPECIFICA DI COLLAUDO - SEGNARE CON PENNARELLO CARRY OUT AN ADDITIONAL LEAK TEST WITH ELIUM AND NITROGEN AT 2,5 BAR (WATER SIDE) - MARK WITH PENS EFFETTUARE UNA PROVA PRELIMINARE DI TENUTA CON ELIO E AZOTO A 2,5 BAR (LATO ACQUA) - SEGNARE CON PENNARELLO		
02	VACUUM TEST CARRIED OUT VUOTO ESEGUITO		
03	REFRIGERANT CHARGE CARICA REFRIGERANTE		
04	CHECK WIRINGS CABLE CONNECTION VERIFICA CABLAGGIO ELETTRICO		
05	SAFETY TEST: CONTINUITY, INSULATION, DIELECTRICAL STRENGTH PROVE DI SICUREZZA: CONTINUITÀ, ISOLAMENTO, RIGIDITÀ		
06	RUNNING TEST WITH SAFETY DEVICES COLLAUDO FUNZIONALE COMPLETO CON INTERVENTO SICUREZZA E RILIEVI		
07	LEAK TEST ON REFRIGERANT CIRCUIT DURING RUNNING CONDITION - MARK WITH PEN VERIFICA TENUTA CIRCUITO REFRIGERANTE DURANTE IL FUNZIONAMENTO - SEGNARE CON PENNARELLO		
08	FINAL LEAK TEST ON REFRIGERANT CIRCUIT AFTER RUNNING - MARK WITH PENS VERIFICA FINALE TENUTA CIRCUITO REFRIGERANTE DOPO IL COLLAUDO FUNZIONALE - SEGNARE CON PENNARELLO		
09	CHECK ASSEMBLY PARTS VERIFICA ASSEMBLAGGIO PARTI		
10	CHECK MOUNTED ACCESSORIES OR SUPPLY LOOSE CONTROLLO ACCESSORI MONTATI E/O FORNITI A BORDO UNITÀ		
11	CHECK DOCS SUPPLY (CE, IOM, START UP FORM, WIRING DIAGRAM, RULE) VERIFICA DOCUMENTI FORNITI CON L'UNITÀ		
12	CHECK STICKERS, LABELLING VERIFICA TARGHETTE		
13	AESTHETICAL CHECK AND CLEANING CONTROLLO ESTETICO PULIZIA		
14	CHECK TEST SHEET AND CHECK LIST FILLED UP CONTROLLO COMPILAZIONE SCHEDA DI COLLAUDO E CHECK LIST		

Warning - Safety valve vents



Warning - High temperature zone adjacent to hot pipes or components



2 - Safety (continued)

2.8 Safety regulations

REFRIGERANT DATA	SAFETY DATA: R134a
Toxicity	Low
Contact with skin	<p>If sprayed, the refrigerant is likely to cause frost burns. If absorbed by the skin, the danger is very limited; it may cause a slight irritation, and the liquid is degreasing. Unfreeze the affected skin with water.</p> <p>Remove the contaminated clothes with great care - in the presence of frost burns, the clothes may stick to the skin. Wash with plenty of warm water the affected skin.</p> <p>In the presence of symptoms such as irritation or blisters, obtain medical attention.</p>
Contact with eyes	<p>Vapours do not cause harmful effects. The spraying of refrigerant may cause frost burns.</p> <p>Wash immediately with a proper solution or with tap water for at least 10 minutes, and then obtain medical attention.</p>
Ingestion	<p>Very unlikely - should something happen, it will cause frost burns.</p> <p>Do not induce vomiting. Only if the patient is conscious, wash out mouth with water and give some 250 ml of water to drink. Then, obtain medical attention.</p>
Inhalation	<p>R134a: remarkable concentrations in the air may have an anaesthetic effect, up to fainting.</p> <p>The exposure to considerable amounts may cause irregular heartbeat, up to the sudden death of the patient. Very high concentrations may result in the risk of asphyxia, due to the reduction in the oxygen percentage in the atmosphere. Remove the patient to fresh air and keep warm and at rest.</p> <p>If necessary, give oxygen. In case of breathing difficulties or arrest, proceed with artificial respiration.</p> <p>In case of cardiac arrest, proceed with cardiac massage. Then, obtain medical attention.</p>
Recommendations	<p>Semiotics or support therapy is recommended. Cardiac sensitisation has been observed that, in the presence of circulating catecholamines such as adrenalin, may cause cardiac arrhythmia and accordingly, in case of exposure to high concentrations, cardiac arrest.</p>
Prolonged exposure	<p>R134a: a study on the effects of exposure to 50,000 ppm during the whole life of rats has identified the development of benign testicle tumour.</p> <p>This situation should therefore be negligible for personnel exposed to concentrations equal to or lower than professional levels.</p>
Professional levels	R134a: Recommended threshold: 1000 ppm v/v - 8 hours TWA.
Stability	R134a: Not specified
Conditions to avoid	Do not use in the presence of flames, burning surfaces and excess humidity.
Hazardous reactions	<p>May react with sodium, potassium, barium and other alkaline metals.</p> <p>Incompatible substances: magnesium and alloys with magnesium concentrations > 2%.</p>
Hazardous decomposition products	R134a: Halogen acids produced by thermal decomposition and hydrolysis.

2 - Safety (continued)

2.8 Safety regulations (continued)

REFRIGERANT DATA	SAFETY DATA: R134a
General precautions	Do not inhale concentrated vapours. Their concentration in the atmosphere should not exceed the minimum preset values and should be maintained below the professional threshold. Being more weighty than the air, the vapour concentrates on the bottom, in narrow areas. Therefore, the exhaust system must work at low level.
Respiratory system protection	If you are in doubt about the concentration in the atmosphere, it is recommended to wear a respirator approved by an accident-prevention Authority, of the independent or oxygen type.
Storage	Cylinders must be stored in a dry and fresh place, free from any fire hazard, far from direct sunlight or other sources of heat, radiators etc. Keep a temperature below 45 °C.
Protective clothing	Wear overalls, protective gloves and goggles or a mask.
Accidental release measures	It is important to wear protective clothing and a respirator. Stop the source of the leak, if you can do this without danger. Negligible leaks can be left evaporating under the sun, providing that the room is well ventilated. Considerable leaks: ventilate the room. Reduce the leak with sand, earth or other absorbing substances. Make sure that the liquid does not channelled into gutters, sewers or pits where the vapours are likely to create a stuffy atmosphere.
Disposal	The best method is recovery and recycling. If this method is not practicable, dispose according to an approved procedure, that shall ensure the absorption and neutralization of acids and toxic agents.
Fire fighting information	R134a: Not flammable in the atmosphere.
Cylinders	The cylinders, if exposed to fire, shall be cooled by water jets; otherwise, if heated, they may explode.
Protective fire fighting equipment	In case of fire, wear an independent respirator and protective clothing.

2 - Safety (continued)

2.8 Safety regulations (continued)

LUBRICANT OIL DATA	SAFETY DATA: POLYESTER OIL (POE)
Classification	Not harmful.
Contact with skin	May cause slight irritation. Does not require first aid measures. It is recommended to follow usual personal hygiene measures, including washing the exposed skin with soap and water several times a day. It is also recommended to wash your overalls at least once a week.
Contact with eyes	Wash thoroughly with a suitable solution or tap water.
Ingestion	Seek medical advice immediately.
Inhalation	Seek medical advice immediately.
Conditions to avoid	Strong oxidising substances, caustic or acid solutions, excess heat. May corrode some types of paint or rubber.
Protection of the respiratory system	Use in well ventilated rooms.
Protective clothing	Always wear protective goggles or a mask. Wearing protective gloves is not mandatory, but is recommended in case of prolonged exposure to refrigerant oil.
Accidental release measures	It is important to wear protective clothing and, especially, goggles. Stop the source of the leak. Reduce the leak with absorbing substances (sand, sawdust or any other absorbing material available on the market).
Disposal	The refrigerant oil and its waste will be disposed of in an approved incinerator, in conformity with the provisions and the local regulations applicable to oil waste.
Fire fighting information	In the presence of hot liquid or flames, use dry powder, carbon dioxide or foam. If the leak is not burning, use a water jet to remove any vapours and to protect the personnel responsible for stopping the leak.
Cylinders	The cylinders exposed to a fire will be cooled with water jets in case of fire.
Fire fighting protective equipment	In case of fire, wear an independent respirator.

3 - Transport, Lifting and Positioning

Refrigerators are supplied assembled (apart from standard antivibrating rubber supports, that will be installed on site). The equipment are full of refrigerant and oil, in the quantity required for a proper operation.

3.1 Inspection

When the unit is delivered, it is recommended to check it carefully and to identify any damage occurred during transportation. The goods are shipped ex-factory, at the buyer's risk. Check that the delivery includes all the components listed in the order.

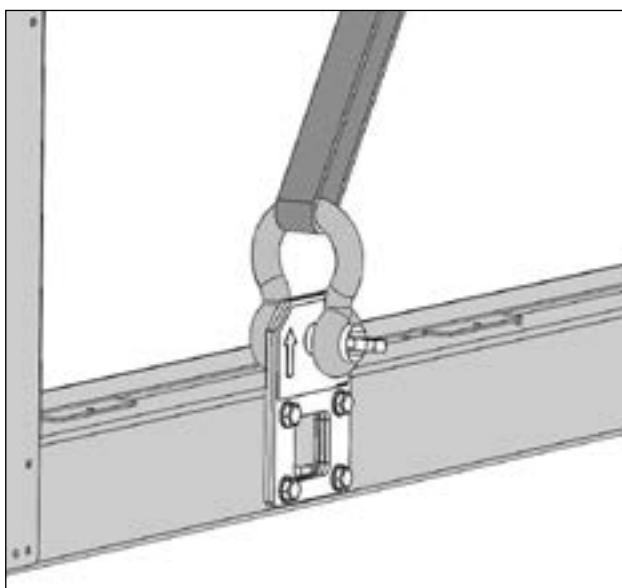
In case of damage, note it down on the carrier's delivery note and issue a claim according to the instructions provided in the delivery note.

In the presence of any serious damage, that does not affect the surface only, it is recommended to inform manufacturer immediately.

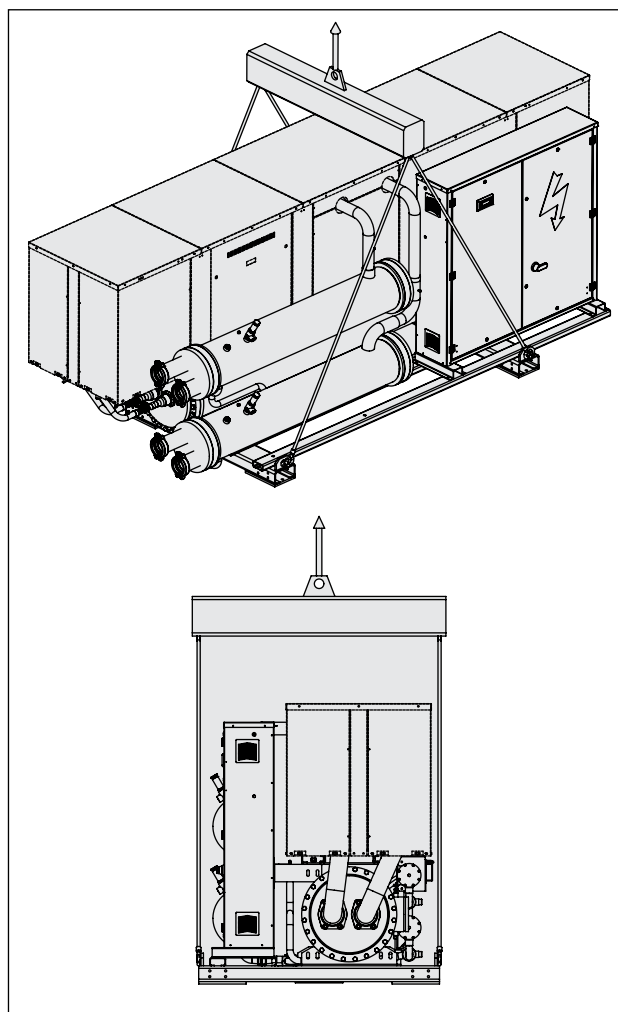
Please note that manufacturer may not be held liable for any damage to the equipment during transportation, even though the carrier has been appointed by the factory.

3.2 Lifting

The unit must be lifted by using the hooks inserted into the relevant eyebolts (see the figure).



It is recommended to use a spacer to prevent cables from damaging the unit (see the figure). For sizes equipped with 1 compressor (440-770) the minimum size of the spacer is 1350 mm. For sizes equipped with 2 compressors (860-1550) the minimum size of the spacer is 1520 mm.



Before positioning the unit, make sure that the place of installation is appropriate and sturdy enough to hold the weight and to withstand the stress caused by the operation of the whole assembly.



Do not displace the unit on rollers, and do not lift it with a lift truck.

Unit must be lifted carefully.

To lift unit slowly and regularly.

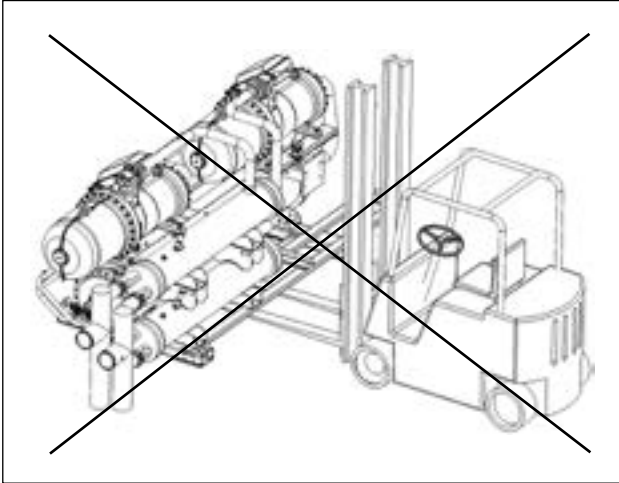
To lift and displace the unit:

- Insert and secure eyebolts into the holes marked on the frame.
- Insert spacer between cables.
- Hook near the barycentre of the unit.
- The cables must be long enough to form, if tensioned, an angle of at least 45° with respect to the horizontal plane.

3 - Transport, Lifting and Positioning (continued)



For lifting operations, use only tools and material fit for this purpose, in accordance with accident-prevention regulations.



During the lifting and handling of the unit, be careful not to damage the electrical board, installed on one side of the unit.

The sides of the unit must be protected by cardboard or plywood sheets.



It is recommended not to remove the protective plastic envelope, that should prevent scraps from penetrating into the appliance and any damage to the surfaces, until the unit is ready for operation.

3.3 Anchoring

It is not essential to secure the unit to the foundations, unless in areas where there is a serious risk of earthquake, or if the appliance is installed on the top of a steel frame.

3.4 Storage

When the unit is to be stored before installation, adopt a few precautions to prevent any damage or risk of corrosion or wear:

- plug or seal every single opening, such as water fittings
- do not store the appliance in a room where the temperature exceeds 50 °C for the units using R134a and, if possible, do not expose to direct sunlight
- minimum storage temperature is -25 °C
- it is recommended to store the unit in a roof where traffic is minimized, to prevent the risk of accidental damage
- the unit must not be washed with a steam jet
- take away and leave to the site manager all the keys providing access to the control board

Finally, it is recommended to carry out visual inspections at regular intervals.

4 - Installation

4.1 Positioning of the unit



Before installing the unit, make sure that the structure of the building and/or the supporting surface can withstand the weight of the appliance. The weights of the units are listed in Chapter 8 of this manual.

These units have been designed for indoor installation on a solid surface. Standard accessories include antivibrating rubber supports, that must be positioned under the base.

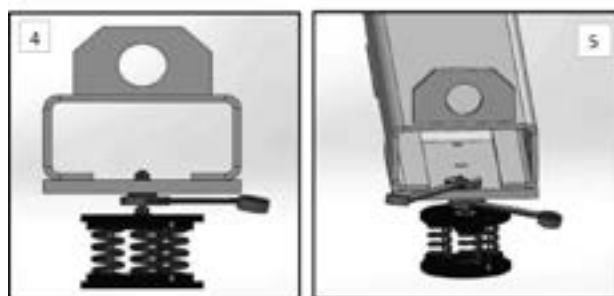
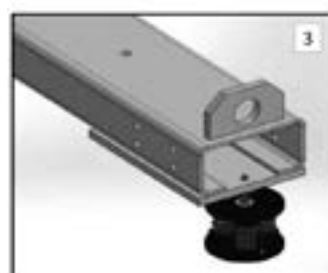
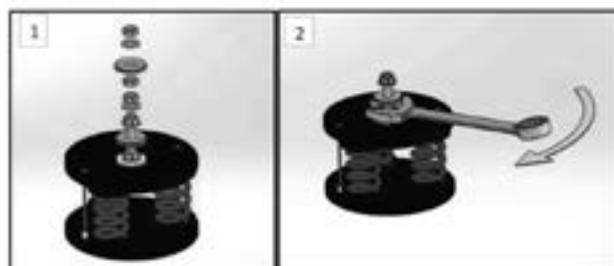
When the unit is to be installed on the ground, it is necessary to provide a concrete base, to ensure a uniform distribution of the weights.

As a general rule, no special sub-bases are required. However, if the unit is to be installed on the top of inhabited rooms, it is advisable to rest it on spring shock absorbers (optional), that will minimise the transmission of any vibration to the structures.

To choose the place of installation of the unit, bear in mind to guarantee all the necessary spaces for air circulation and maintenance operations (see Chapter 9).

4.2 Spring Isolator Installation

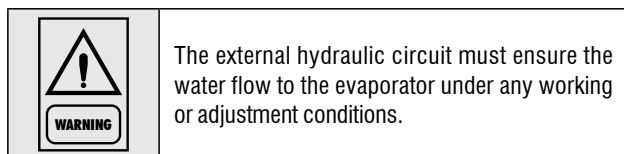
- Prepare the base, that must be flat and plane.
- Lift the appliance and insert shock absorbers as follows:



4 - Installation (continued)

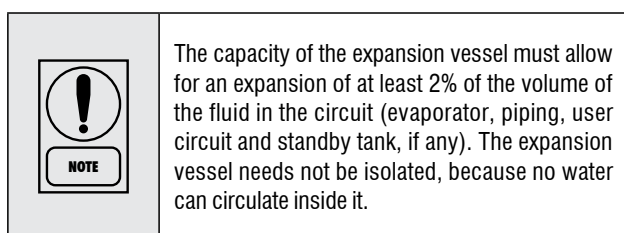
4.3 Hydraulic connection of the evaporator

The flow switch and the filter water, although not included in the supply, must always be fitted such as plant components. Their installation is mandatory for warranty.



The circuit shall be composed by the following elements:

- A circulation pump which can ensure the necessary capacity and discharge head.
- The capacity of the primary hydraulic circuit should not be less than 7.5 litres/KW of cooling capacity, in order to prevent the repeated start-up of the compressor and any damage to it. If the water capacity in the primary piping of the circuit and in the evaporator is lower than this value, an insulated storage tank shall be installed.
- A membrane expansion vessel provided with safety valve with vent, that must be visible.

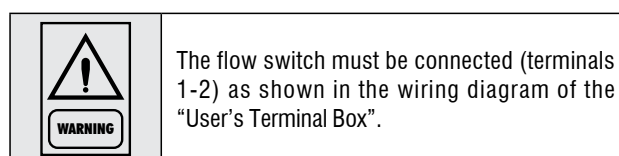


A flow switch will stop the unit when the water is not circulating or a flow rate problem occurs.

To install the flow switch, follow the manufacturer's instructions.

As a general rule, the flow switch shall be mounted on a horizontal pipe, at a distance from the curves equal to 10 times the diameter of the pipe and far from valves or other components that are likely to hinder the water flow upstream of or downstream from the flow switch.

- The bleed valves must be mounted on the highest point of the piping.
- The stop valves must be mounted on the piping of the water entering/leaving the evaporator.
- The drain points (provided with plugs, cocks etc.) must be arranged in the lowest point of the piping.



RECOMMENDED WATER COMPOSITION		
PH	7,5 - 9	
Electrical conductivity	10 - 500	μS/cm
Total hardness	4,5 - 8,5	dH
Temperature	< 60	[°C]
Alkalinity (HCO ₃ ⁻)	70-300	ppm
Alkalinity / Sulphates (HCO ₃ ⁻ / SO ₄ ²⁻)	> 1	ppm
Sulphates (SO ₄ ²⁻)	< 70	ppm
Chlorides (Cl)	< 50	ppm
Free Chlorine	< 0,5	ppm
Phosphates (PO ₄ ³⁻)	< 2	ppm
Ammonia (NH ₃)	< 0,5	ppm
Ammonium Ion (NH ₄ ⁺)	< 2	ppm
Manganese Ion (Mn ²⁺)	< 0,05	ppm
Free Carbon Dioxide (CO ₂)	< 5	ppm
Hydrogen Sulfide (H ₂ S)	< 0,05	ppm
Oxygen Content	< 0,1	ppm
Nitrates (NO ₃ ⁻)	< 100	ppm
Manganese (Mn)	< 0,1	ppm
Iron (Fe)	< 0,2	ppm
Aluminium (Al)	< 0,2	ppm

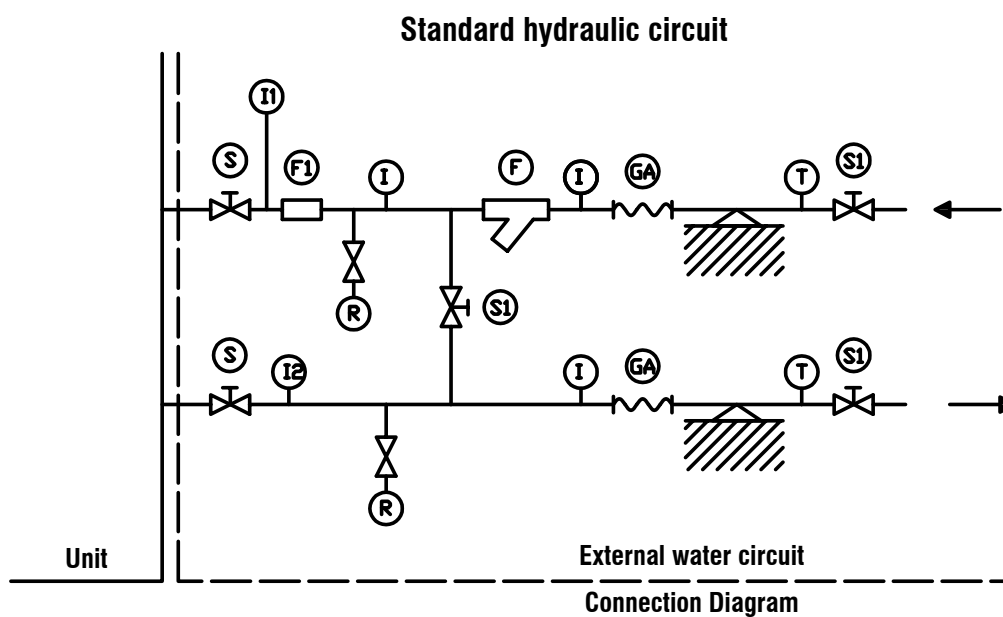
Caution

If the water circuit is to be drained for a time exceeding one month, the circuit must be fully charged with nitrogen to prevent any risk of corrosion by differential venting

4 - Installation (continued)

Then:

- Provide the evaporator with a by-pass circuit equipped with a valve to wash the plant.
- Insulate the piping, to prevent the risk of heat loss.
- Position a filter on the suction side of the evaporator of the heat recovery condenser.



COMPONENTS			
I	Pressure gauge connection	R	Drain cock
S	Gate valve	T	Thermometer
F1	Flow Switch	F	Filter
GA	Flexible hoses	I1/I2	Pressure gauge connection to measure pressure drop or head pressure



Before filling the circuit, it is important to check that it is free from any foreign matter, sand, gravels, rust, welding deposits, waste and other materials that may damage the evaporator.



If necessary, the water required to fill the circuit must be treated to obtain the requested pH.

When cleaning the lines, it is recommended to create a circuit by-pass. It is important to mount a filtering medium (30 mesh) upstream of the chiller.

4 - Installation (continued)

4.4 Hydraulic connection of the condenser



The external hydraulic circuit must ensure the water flow to the condenser under any working or adjustment conditions.

The cooling of the units is generally ensured by connecting the condenser to a cooling tower, though the units can be cooled also with well water.

In the presence of a water-cooled condenser, it is necessary to check the flow rate and/or the temperature of the cooling fluid that flows through the condenser, so as to maintain the refrigerant pressure at values that can ensure a satisfactory operation.

When a cooling tower is used, the simplest regulation methods consist of checking the operation or the speed of the fan or the air volume, by means of a damper, once the pilot thermostat has been installed in the basin of the tower.

Alternatively, or if no water from a cooling tower is used, you can adopt a recirculation system provided with a 3-way valve.

This circuit shall consist of:

- A circulation pump that can ensure the necessary capacity and discharge head.
- A flow meter to turn off the appliance when no water is circulating.



The flow meter must be connected in series, as shown in the wiring diagram of the control panel.

4.5 Hydraulic connection

The water inlet/outlet fittings shall conform to the instructions provided by the plates affixed near the connection points.

To install the flow meter, follow the manufacturer's instructions.

As a general rule, the flow meter shall be mounted on a horizontal pipe, at a distance from the curves equal to 10 times the diameter of the pipe and far from valves or other components that are likely to hinder the water flow upstream of or downstream from the flow meter.

- The bleed valves must be mounted on the highest point of the piping.
- The stop valves must be mounted on the piping of the water entering/leaving the condenser.
- The discharge points (provided with plugs, cocks etc.) must be arranged in the lowest point of the piping.

Furthermore:

- Provide the condenser with a by-pass circuit, equipped with a shutoff valve.
- Insulate piping, to prevent the risk of heat loss.
- Install a filter on the suction side of the condenser.
- A three-way valve should be installed on-site. It permits to bypass the condenser for correct operation at low return water temperature. The best position is close to the condenser.

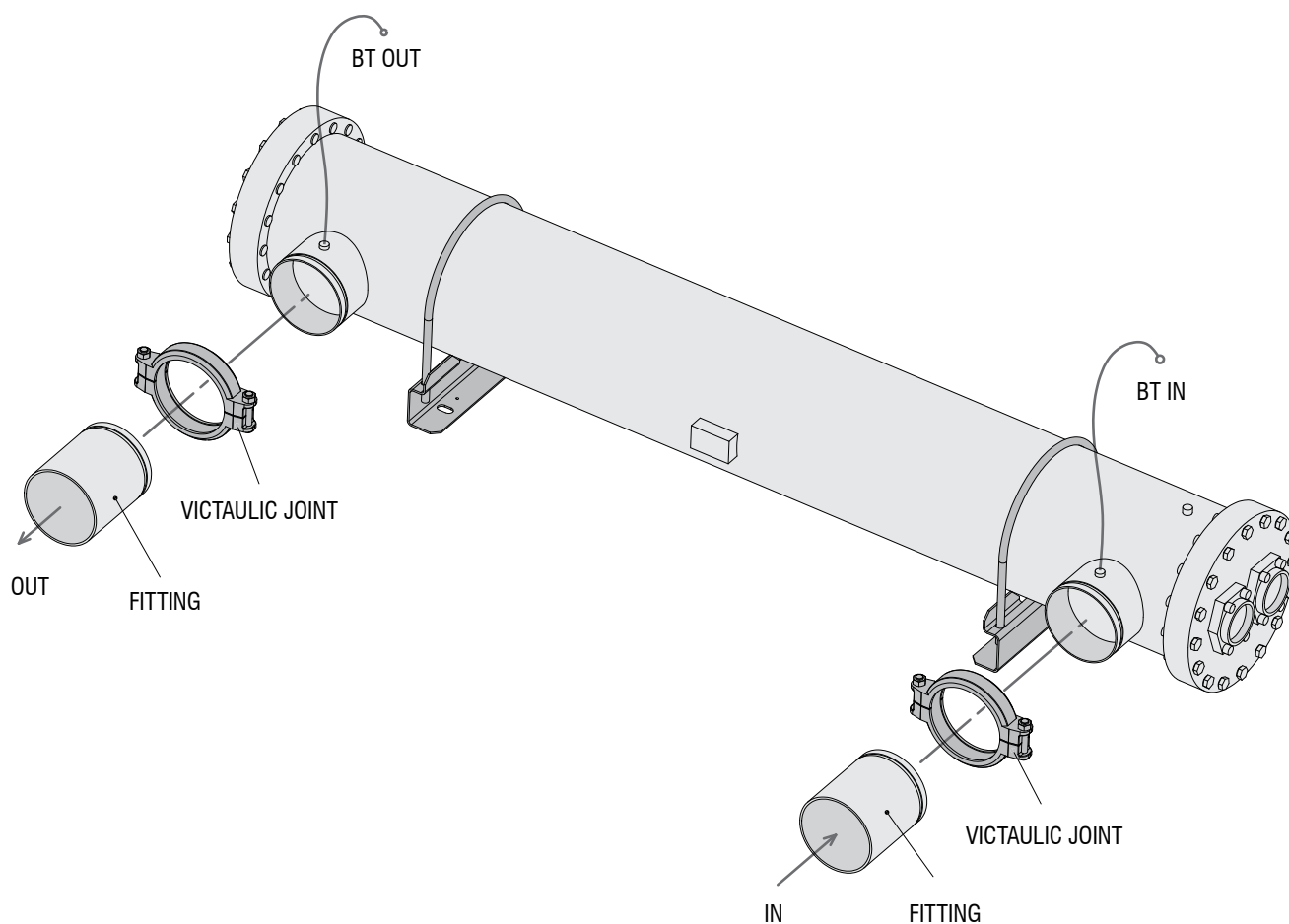
To install the flow meter, follow the diagram illustrated in paragraph 4.3.

4 - Installation (continued)

4.6 Connection of water temperature sensors (on shell and tube evaporator)

The units are provided with fittings for hydraulic connections between heat exchangers and plant.

Each fitting is complete with sensor well to fasten temperature sensor (BT-IN and BT-OUT). Fittings are supplied separate and must be mounted during the installation of the unit.



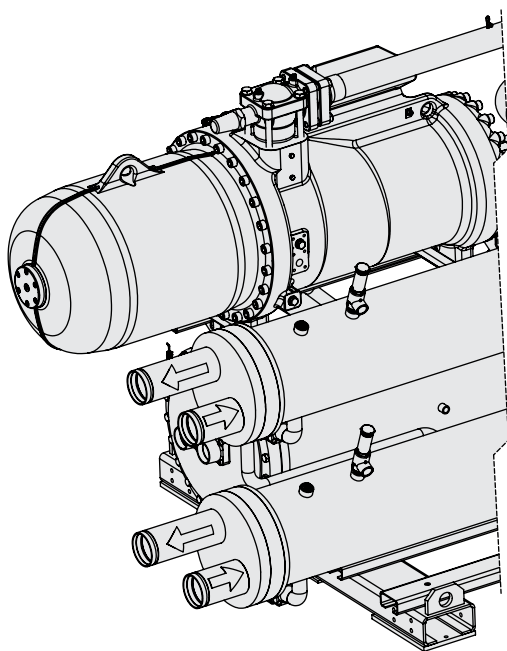
4 - Installation (continued)

4.7 Connection of water temperature sensors (on shell and tube condenser/s)

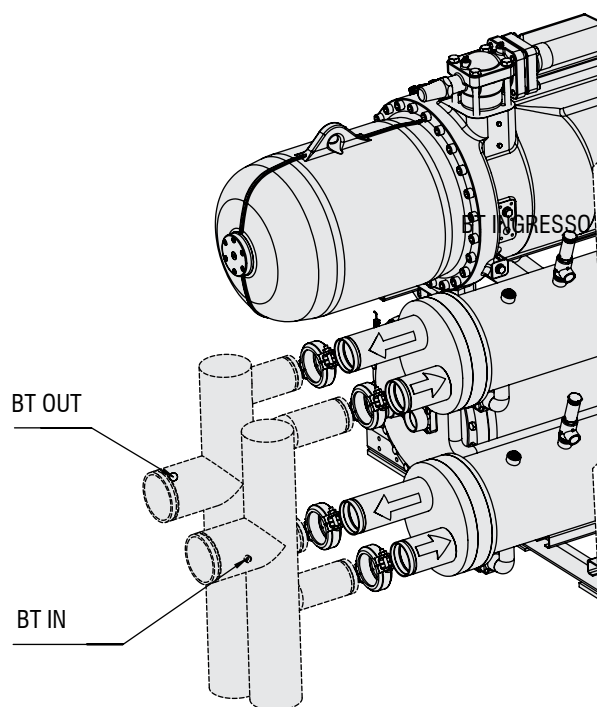
Hydraulic connections between condenser/s and plant are supplied separately and must be installed during the installation of the unit. Inlet / outlet water temperature probes should be placed inside

dedicated water probes pockets to be provided over the installation. Kit manifold accessory (offered as an option for units equipped with two compressors) is already including water probes pockets.

CONNECTION STANDARD





CONNECTION WITH MANIFOLD KIT




4 - Installation (continued)

4.8 Power supply

	<p>Before carrying out any operations on the electrical system, make sure that the unit is deenergised.</p>
---	---

	<p>It is important that the appliance is grounded.</p>
---	---

	<p>The company in charge of the installation shall conform to the standards applicable to outdoor electrical connections.</p>
---	---

The manufacturer may not be held liable for any damage and/or injury caused by failure to comply with these precautions.

The unit conforms to EN 60204-1.

The following connections shall be provided:

- A 3-phase and grounding connection for the power supply circuit.
- The electrical distribution system shall meet the power absorbed by the appliance.
- The disconnecting and magnetothermal switches must be sized to control the starting current of the unit.
- The power supply lines and the insulation devices must be designed in such a way that every line independent.
- It is recommended to install differential switches, to prevent any damage caused by phase drops.
- The fans and compressors are supplied through contactors controlled from the control panel.
- Each motor is provided with an internal safety thermal device and external fuses.
- The power supply cables must be inserted into dedicated openings on the front of the unit, and they will enter the electrical board through holes drilled on the bottom of the board.


4.9 Electrical connections

The unit must be installed on site according to the Machinery Directive 2006/42/EC, Electromagnetic Compatibility Directive 2014/30/EU and the usual procedures and standards applicable in the place of installation.

The unit must not be operated if its installation has not been carried out according to the instructions provided in this manual.

The power supply lines must consist of insulated copper conductors, dimensioned for the maximum absorbed current.


Connection to terminals must be performed according to the diagram of connections (User's Terminal Box) provided in this manual and according to the wiring diagram which accompanies the unit.

	<p>Before connecting the power supply lines, check that the available voltage value does not exceed the range specified in the Electric Data (Chapter 8).</p>
---	---

For 3-phase systems, check also that the unbalance between the phases does not exceed 2%. To perform this check, measure the differences between the voltage of each phase couple and their mean value during operation.

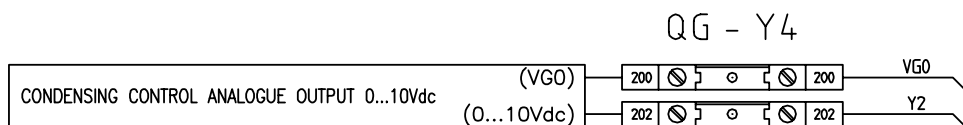
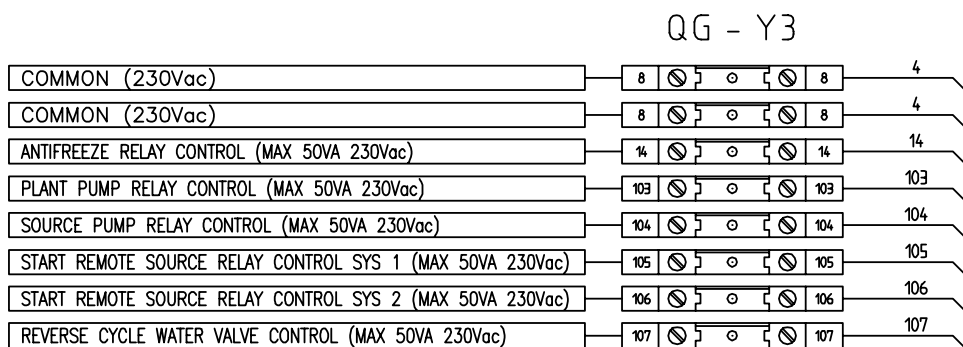
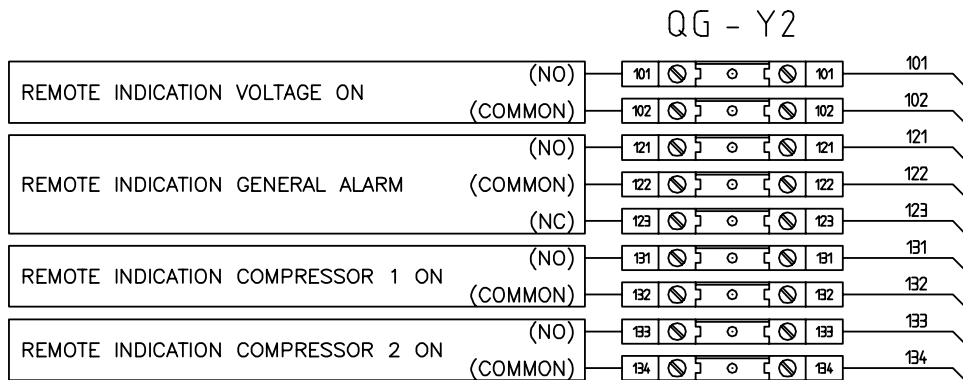
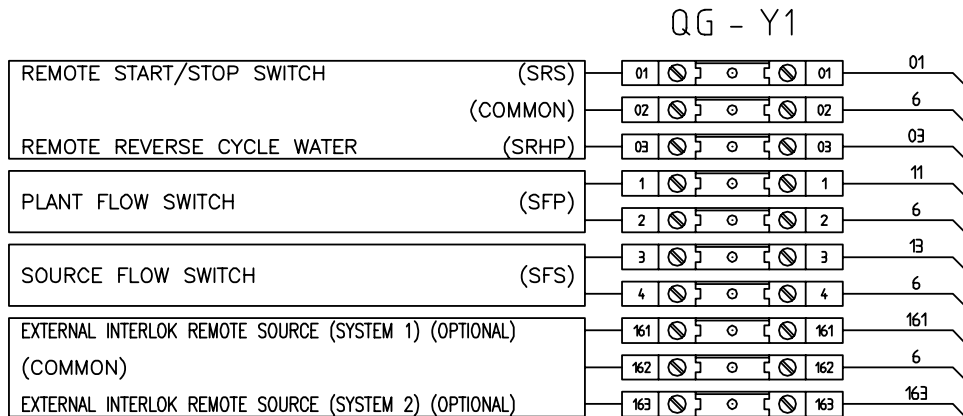
The maximum % value of these differences (unbalance) must not exceed 2% of the mean voltage.

If the unbalance is unacceptable, contact the Energy Distributor to solve this problem.

	<p>Supplying the unit through a line whose unbalance exceeds the permissible value will automatically void the warranty.</p>
---	--

4 - Installation (continued)

Electrical connections



5 - Start-Up



The unit must be started for the first time by personnel suitably trained by one Authorised Service Centre. Failure to meet this requirement will immediately void the warranty.



The operations carried out by authorised personnel are limited to the start-up of the unit, and do not include any other operation on the plant, such as, for example, electrical and hydraulic connections etc.

All the other operations before start-up, including oil pre-heating for at least 12 hours, must be performed by the Installer.

5.1 Preliminary check

The checks listed below shall be performed before starting the unit and before the arrival of the personnel authorised.

- Check the section of power supply and grounding cables; make sure that terminals are tightened and check the correct operation of contactors, with the main switch open.
- Check that any voltage and phase variation in the power supply does not exceed the prefixed thresholds.
- Connect the contacts of the flow switch and the thermal relay of the pump and of the other devices (if any), to terminals 1-2 and 3-4, respectively.
- Check that the components of the external water circuit (pump, user equipment, filters, power supply tank and reservoir, if any) have been installed properly, and according to the manufacturer's instructions.
- Check the filling of the hydraulic circuits, and make sure that the fluid circulation is correct, without any trace of leaks and air bubbles. If you use ethylene glycol as antifreeze, check that its percentage is correct.
- Check that the direction of rotation of the pumps is correct, and that fluids have been circulating for at least 12 hours for both pumps. Then, clean the filters on the suction side of the pumps.
- Adjust the liquid distribution network in such a way that the flow rate is within the specified range.
- Check that the water quality is up to the specifications.
- Check that oil heaters, if any, have been turned on at least 12 hours before.

5.2 Start-up

Start-up sequence:

- Turn on the Main switch (at least 12 hours before).
- Check that the oil in the compressor has reached the requested temperature (the minimum temperature outside the pan must be approx. 40°C) and that the auxiliary control circuit is energised.
- Check the operation of all the external equipment, and make sure that the control devices of the plant are properly calibrated.
- Start the pump and check that the water flow is correct.
- Set the desired fluid temperature on the control board.
- Start the appliance (see Chapter 6).

- Check the correct direction of rotation of compressors. Compressors cannot compress the refrigerant when they rotate in the opposite direction. To make sure that they are rotating in the correct direction, simply check that, just after the start-up of the compressor, the pressure drops on the LP side and rises on the HP side. Furthermore, if a compressor rotate in the opposite direction, there is a considerable rise in the sound level of the unit, as well as in a dramatic reduction of current absorption compared to normal values. In case of wrong rotation, the compressor can be definitely damaged. Phase monitor is assembled in the unit as a standard to prevent wrong compressors rotation.
- After about 15 minutes of operation check that there are no bubbles, through the sight glass on the liquid line.



The presence of bubbles may indicate that a part of the refrigerant charge has been released in one or more points. It is important to remove these leaks before proceeding.

- Repeat the start-up procedure after removing the leaks.
- Check the oil level in the compressor's sight glass.

5.3 Checking the operation

Check the following:

- The temperature of the water entering the evaporator.
- The temperature of the water leaving the evaporator.
- The level of the water flow rate in the evaporator, if possible.
- The temperature of the water entering the condenser.
- The temperature of the water leaving the condenser.
- The level of the water flow rate in the condenser, if possible.
- The current absorption upon the start of the compressor and in case of stabilised operation.

Check that the condensing and evaporation temperatures, during operation at high and low pressure detected by the pressure gauges of the refrigerant, are within the following range:

(On the units not provided with HP/LP pressure gauges for the refrigerant, connect a pressure gauge to the Schrader valves on the refrigeration circuit).

HP side	Approx. 2 to 7 °C above the temperature of condenser leaving water temperature, for 134a units.
LP side	Approx. 2 to 7 °C below the temperature of the leaving chilled water, for R134a units.

5.4 Delivery to the customer

- Train the user according to the instructions provided in Section 6.

6 - Control

6 General information

Introduction

This document contains the information and the operating instructions for 1/2 screw compressors of step type.

This information is for the after-sales service and the production operators, for the end-of-line testing.

Main characteristics

- Microprocessor control
- User-friendly keyboard
- Proportional control (RWT)
- Neutral zone control on the leaving water temperature (LWT)
- Access code to enter the Manufacturer's Level
- Access code to enter the Assistance Level
- Alarm and LED
- Backlighted LCD
- Rotation of the compressor operation
- Night mode (or Low Noise) control
- Counting of the pump/compressors' hours of operation
- Display of discharge and suction pressure values
- Display of temperature sensor
- History of stored alarms (option)
- RS485 serial port to connect the chiller control to a BMS network.

The following accessories can be also connected:

- Remote Display Terminal
- Wire Remote Control.
- Double set point.

The control system consists of:

- a) Main Board. Units are provided with a microprocessor card which is fully programmed by default for the control of a chiller equipped with a HP transducer and a LP transducer for each circuit.
- b) EEV controllers (two separate drivers) to the management of the electronic expansion valves.
- c) Keyboard & Display Terminal.





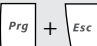



The terminal makes it possible to carry out the following operations:

- the initial configuration of the machine
- the change of all the main operating parameters
- the display of the detected alarms
- the display of all the measured quantities

The terminal and the card are connected by a 6-way phone cable.

The connection of the terminal to the basic card is not essential for the normal operation of the controller.

6 - Control (continued)

	Esc key: allows you to move from one mask to another.
	Alarm key: used to display the alarms, to reset them in manual. Press it one to display the mask of the activated alarm, press it again to reset the alarm signal.
	Prg+Esc keys: Pressing these keys at the same time, allows you to turn the unit on/off.
	Up-down keys: allows you to set the control parameters' values and to move from one mask to another (not backlighted).
	Enter key: used to move the cursor inside the masks and to save the values of the set parameters.
	Alarm + Enter keys: press these keys at the same time to enter the "historical alarm" after 1' come back at status machine menu.

6.1 Display/Keyboard



The display is an LCD 8 lines x 22 columns. The quantities and the information about the operation of the unit are alternated in the form of subsequent screens, named "masks".

It is possible to move inside the masks with the terminal keys as described below.

Arrows key - Up/Down/Enter

If the cursor is in the top left-hand corner (Home), press the UP/DOWN keys to access the subsequent masks associated to the selected branch. If a mask includes some value setting fields and you press the ENTER key, the cursor will reach these fields.

Once you have reached the quantity setting field, you can modify any value (within the expected limits) by pressing the UP/DOWN keys.

After you have selected the desired value, press the ENTER key again to store it.

6 - Control (continued)

Alarms

Alarm code	Description	Notes
1	Main board - EPROM Failure	
2	Main board - Clock card Failure	
3	Main board - External air temperature sensor fault	
4	Main board - Return Water temperature sensor fault (evaporator)	
5	Main board - Leaving Water temperature Sys 1 sensor fault (evaporator)	
6	Main board - Leaving Water temperature Sys 2 sensor fault (evaporator)	
7	Main board - Low pressure sys 1 sensor fault	
8	Main board - Low pressure sys 2 sensor fault	
9	Main board - High pressure sys 1 sensor fault	
10	Main board - High pressure sys 2 sensor fault	
11	Main board - Discharge temperature sys 1 sensor fault	
12	Main board - Discharge temperature sys 2 sensor fault	
13	Main board - Return Water temperature sensor fault (condenser)	
14	Main board - Leaving Water temperature sensor fault (condenser)	
16	Serious alarm (SQZ)	
17	Flow switch / Plant interlock	
18	Oil Safety Sys 1 manual reset	
19	Oil Safety Sys 2 manual reset	
20	High pressure switch Sys 1	
21	High pressure switch Sys 2	
22	Low pressure Sys 1 switch manual reset	
23	Low pressure Sys 2 switch manual reset	
24	Thermal protection compressor 1 Sys 1 manual reset	
27	Thermal protection compressor 1 Sys 2 manual reset	
32	Remote condenser Fan Thermal protection Sys 1 (RC version only)	
34	Remote condenser Fan Thermal protection Sys 2 (RC version only)	
35	Low refrigerant cutout Sys 1 manual reset	
36	Low refrigerant cutout Sys 2 manual reset	
37	Low pressure alarm Sys 1 manual reset	
38	Low pressure alarm Sys 2 manual reset	
39	Out of envelope Sys 1 manual reset	
40	Out of envelope Sys 2 manual reset	
41	High pressure Sys 1 manual reset	
42	High pressure Sys 2 manual reset	
43	High limit discharge temperature Sys1 manual reset	
44	High limit discharge temperature Sys2 manual reset	
45	ΔT Water Too High Sys 1	
46	ΔT Water Too High Sys 2	
47	Wrong Water Trend Sys 1	
48	Wrong Water Trend Sys 2	
49	Antifreeze alarm manual reset Sys 1	
50	Antifreeze alarm manual reset Sys 2	
52	Plant pump maintenance	
53	Compressor 1 Sys 1 maintenance	
56	Compressor 1 Sys 2 maintenance	
59	Driver 1 LAN disconnected manual reset	
60	Driver 2 LAN disconnected manual reset	
61	EPROM Error Driver 1	
62	EPROM Error Driver 2	
63	Driver 1 S1 Sensor fault	
65	Driver 1 S2 Sensor fault	
67	Driver 2 S1 Sensor fault	
68	Driver 2 S2 Sensor fault	
69	EEV motor Error (Check wiring) Sys 1	
70	EEV motor Error (Check wiring) Sys 2	
71	Driver 1 Battery alarm	

6 - Control (continued)

Alarm code	Description	Notes
72	Driver 2 Battery alarm	
73	Autotune alarm Sys 1	
74	Autotune alarm Sys 2	
75	Low suction alarm Sys 1	
76	Low suction alarm Sys 2	
79	Expansion board 1 OFF LINE	
80	Expansion board 2 OFF LINE	
83	Expansion board 1 - Chillernet sensor fault	
84	Expansion board 1 - 4-20 mA remote set-point fault	
87	Low delta pressure Sys 1 manual reset	
88	Low delta pressure Sys 2 manual reset	
89	Flow switch / Source interlock	
90	Source pump maintenance	
118	Oil Safety Sys 1 auto reset	
119	Oil Safety Sys 2 manual reset	
122	Low pressure Sys 1 switch auto reset	
123	Low pressure Sys 2 switch auto reset	
124	Thermal protection compressor 1 Sys 1 auto reset	
127	Thermal protection compressor 1 Sys 2 auto reset	
132	Fan Thermal protection Group 2 Sys 1 auto reset	
134	Fan Thermal protection Group 2 Sys 2 auto reset	
135	Low refrigerant cutout Sys 1 auto reset	
136	Low refrigerant cutout Sys 2 auto reset	
137	Low pressure alarm Sys 1 auto reset	
138	Low pressure alarm Sys 2 auto reset	
139	Out of envelope Sys 1 auto reset	
140	Out of envelope Sys 2 auto reset	
141	High pressure Sys 1 auto reset	
142	High pressure Sys 2 auto reset	
143	High limit discharge temperature Sys1 auto reset	
144	High limit discharge temperature Sys2 auto reset	
159	Driver 1 LAN disconnected automatic reset	
160	Driver 2 LAN disconnected automatic reset	
187	Low delta pressure Sys 1 auto reset	
188	Low delta pressure Sys 2 auto reset	

6.2 Setpoint

Pressing the Set key allows you to enter the Set point level accessible to the user. The parameters that can be set are listed below, along with the limit values and the default values (standard shop settings):

User parameters	Control mode	Min value	Max value	Default
Cooling Setpoint	RWT Return Control	9	15	10
	LWT Leaving Control	6	15	8
Heating Setpoint	RWT Return Control	25	54	40
	LWT Leaving Control	30	60	45
Cooling Setpoint - glycol water	RWT Return Control	-5	15	10
	LWT Leaving Control	-8	15	8
Proportional band	RWT Return Control	1	10	5
Neutral band	LWT Leaving Control	1	6	2
Languages	—	ITA ENG FRE GER SPA		ITA
System On/Off				
System 1 #	—	OFF	ON	OFF
System 2 #	—	OFF	ON	OFF
Unit management		Cooling		

6 - Control (continued)

6.3 Protection and Safety Equipment

Refrigeration system

The units are filled with R134a refrigerant fluid of non hazardous type (group II). Safety device (pressure switch and safety valves) with the sets below indicated are provided on the discharge and suction line of each circuit.

Discharge Line

Pressure relief valve 22 bar.
Pressure switch 19.8 bar for HP/RC/BC version,
15.5 bar for CO version.

Suction line

Pressure relief valve 14.5 bar.
Pressure switch 0.5 bar.

Frost Protection for the Chilled Fluid

If the leaving water temperature drops below 4 °C (standard value for a non-glycol unit) the machine's antifreeze alarm is activated. If the circulating fluid is water, before the beginning of the cold season it is advisable to drain the circuit to prevent water frosting.

If the circuit cannot be drained, it is essential to avoid de-energizing the unit, so as to permit the activation, when necessary, of the frost protection.

Compressor protection

Compressors are equipped with a heating element to prevent oil dilution, which may result in remarkable risks of failure of compressors.

The windings of the compressors' motors are provided with a thermal protection.

An accessory kit for thermal protection (ACB) is available, for any overcurrent of compressors, which shall be shop-mounted.

Flow switch

A flow switch must be installed, to prevent the unit working in case of insufficient circulation of the chilled fluid.



The electrical flow switch must be carefully installed, according to the instructions given by the Manufacturer.

The electrical flow switch must be installed on the pressing side of the circulation pump for the fluid, just upstream of the heat exchanger's inlet. The electrical flow switch must be installed in a horizontal straight length of piping, in a position reasonably far (both upstream and downstream) from localized pressure drops (curves, valves etc.).

7 - Product Description

7.1 Introduction

SyScrew Water EVO units are designed for indoor installation. They can be equipped with one or two circuits (depending on the model) and may be used to cool water to the evaporator and / or to heat water to the condenser. When heating capacity is not the required useful effect, it is necessary to match the unit with a cooling tower or well water in order to reject condenser heat load.

The units are suitable for indoor installation. This series includes the following versions:

VERSION	DESCRIPTION
Super Low Noise version (S)	Water cooled or air cooled (RC version) chillers operating with R134a refrigerant.

CO versions are equipped with dedicated compressors optimized for low condensing pressure.

Special Version

Brine version: units with dedicated evaporators to allow operation with brine (ethylene or propylene) temperature down to -8 °C.

Available options:

OPTIONS	DESCRIPTION
Desuperheater (D)	The heat recovery is carried out by a desuperheater mounted on the compressor's discharge line.
Totally heat recovery	Not available. For information, please contact commercial office.

7.2 General specifications

The units are supplied complete and provided with all connecting pipes for the refrigerant and internal wiring.

The refrigeration circuit of each unit undergoes a pressure test, is drained, vacuumised, dehydrated and filled with refrigerant, and includes the necessary oil. Once assembled, each unit is subjected to a complete final testing and the correct operation of all refrigeration circuits is checked.

The base and the frame of each unit are made of very thick galvanised sheet, and are secured by screw and stainless bolts. All panels are secured by screw and tropicalised steel bolts, they can be disassembled for easy access to internal components.

All galvanised steel parts are painted with white polyester resin, to ensure the resistance of the unit to corrosion and weather agents over time.

7.3 Compressors

The units are provided with high power, high efficiency and low vibration level semi-hermetic screw compressors (oil injection or external cooling with plate-type exchangers) to reduce the compressor's discharge temperature (on request for special application).

The capacity control can be both of the step type (as standard) or of the stepless type (on request). It is handled by capacity control solenoid valves, handled by the microprocessor of the appliance.

The motor's terminals are weatherproof, according to standard IP-54.

7.4 Refrigeration circuits

Units are equipped with one or two independent circuits with screw compressors and shell and tube heat exchanger.

Each refrigerant circuit includes: a service valve for refrigerant filling, shutoff valves for suction lines (on request), as well as for the delivery and liquid lines, an electronic expansion valve, that completely closed (as a solenoid valve) makes it possible to start/stop the compressor, a dehydrating cartridge filter, a sight glass with humidity indicator.

Furthermore, each circuit is equipped with safety devices in accordance with PED 2014/68/EU: high and low pressure switches, safety valves providing protection in case of fire or malfunction of compressors.

7 - Product Description (continued)

7.5 Water heat exchangers

Evaporator

The units are provided with a direct-expansion refrigerant/water shell and tube heat exchanger with several refrigeration circuits.

Evaporators are insulated with flexible insulation, based on closed cell synthetic rubber in black color, 9 mm thick, highly resistant to water and to water vapour. A synthetic leather coating, 1.1 mm thick, protects the outer surface.

Condenser

All units are equipped with one or two condensers, one each circuit. Heat exchanger is shell and tube type, arranged for inspection, cleaning and maintenance operation.

Desuperheater

All units are available with desuperheaters (DSH). DSH is refrigerant/water heat exchanger with brazed plates.

DSH is fitted on the compressor discharge pipe and it's dimensioned to recover about the 10% of total rejected heat. Units with a single compressor are provided with a single heat exchanger, while units with two compressors are provided with two heat exchangers, one each circuit

Total heat recovery condenser

All units are available with total heat recovery condenser (THRC). THRC is refrigerant / water heat exchanger with brazed plates or shell and tube, according to chiller size. THRC is fitted on the compressor discharge line in series with the standard condensing circuit. Heat recovery function is enabled supplying heat recovery exchanger with water. Units with a single compressor are provided with a single heat exchanger, while units with two compressors are provided with two heat exchangers, one each circuit. Heat recovery condensers are insulated with flexible insulation, based on closed cell synthetic rubber in black color, 9 mm thick.

7.6 Electric power supply and control system

All units are provided with a microprocessor and a "Chiller Control" system.

The electrical connection of the controls and the startup units for the motor are carried out and tested in the factory. The power supply and control components are separate and accessible from different doors.

A door stop disconnecting switch is always mounted on the door of the unit. Protection level is in accordance with IP54 standard.

The power supply compartment includes:

- Master switch
- Network isolator, contactors, compressor fuses

Control panel includes:

- A transformer for auxiliaries, fuses, relay and electronic card, a thermostat for the compressor's delivery temperature
- The keyboard and the display of the "Chiller-Control" microcomputer, mounted on the door of the control section.

7.7 Accessories

List of available accessories, provided separately, to be mounted on site by the installer:

Water flow switch

Prevents the operation of the unit when the chilled fluid is insufficient. It is advisable to install a flow switch, to ensure the correct operation of the unit.

Water filter

Filter to be mounted on the suction side of the water heat exchanger. It is mandatory to install a water filter to remove impurities from the water supply.

Antivibrating supports (AVM)

Isolating spring supports, equipped with bolts for fastening to the base. They are supplied separated from the unit and must be mounted on site by the customer, at his own expense.

Remote wall terminal

Makes it possible to check the unit through a remote terminal, up to a maximum distance of 400 meters.

Modem GSM

Makes it possible to check the working mode or the switching on/off of the unit via SMS. In case of any alarms, the unit sends an SMS to the user.

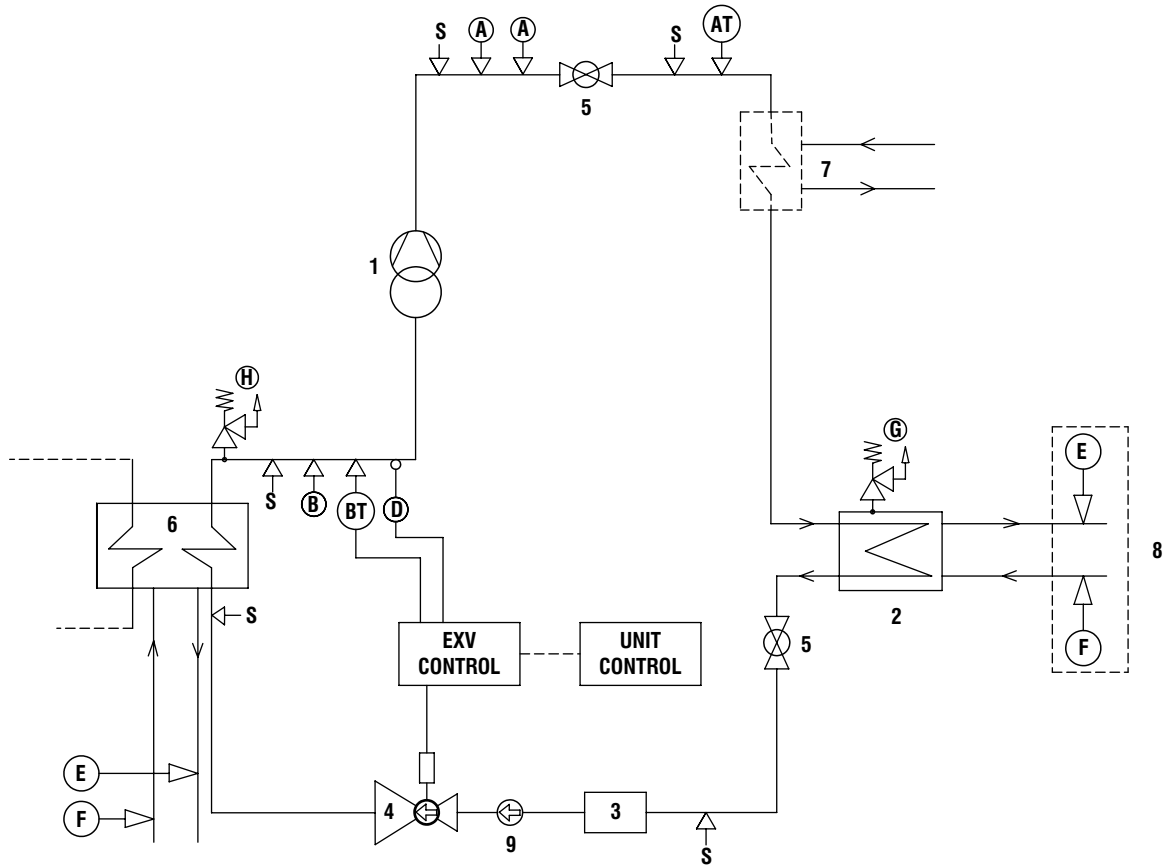
RS-485 serial card (for MODBUS or LONWORK or BACNET)

A communication interface makes it possible to control and manage the unit from a local station, with RS485 connection, up to a distance of 1000 m.

It is possible to obtain the remote control and the management, by inserting the control into the management plant of the building.

7 - Product Description (continued)

Refrigerant circuit - CO/HP/BC versions



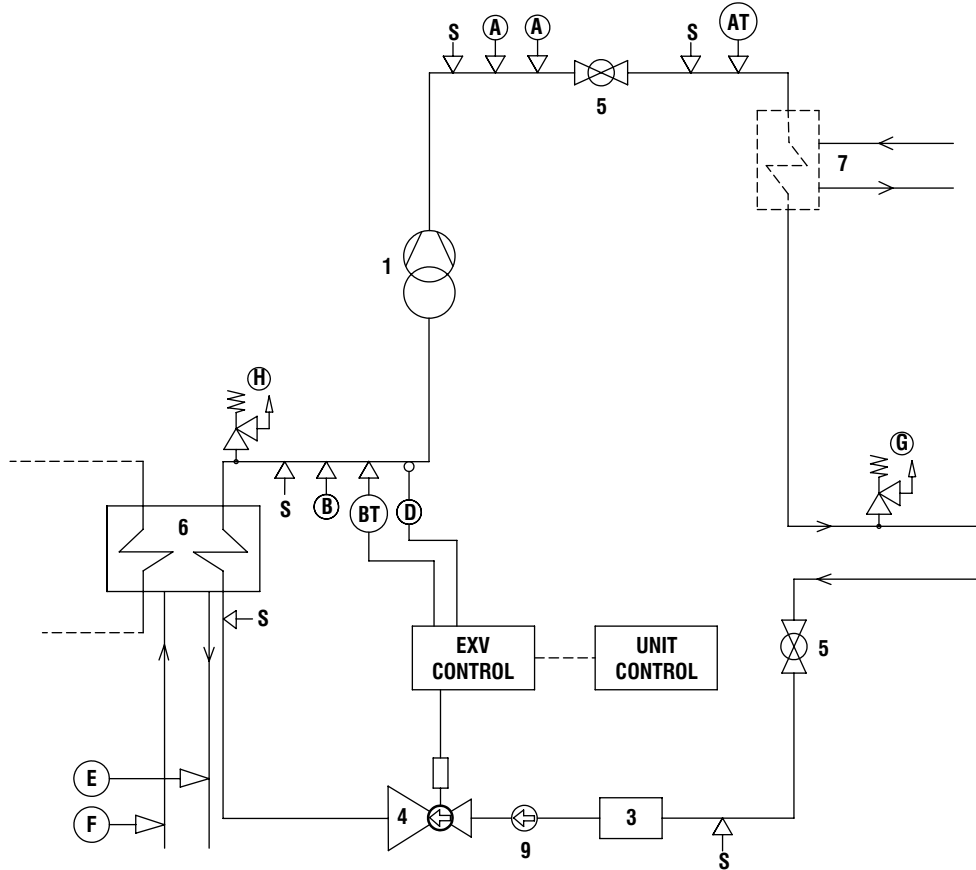
COMPONENTS	
1	Compressor (Screw type)
2	Water cooled condenser
3	Filter drier
4	Electronic expansion valve
5	Globe valve
6	Heat exchanger (Shell & Tube Type)
7	Desuperheater (Optional)
8	Water temperature sensor (HP version only)
9	Sight glass

SAFETY / CONTROL DEVICES	
A	High pressure switch 15.5 bar (CO) 19.8 bar (HP/BC)
B	Low pressure switch (0.5 bar)
AT	High pressure transducer
BT	Low pressure transducer
D	Suction temperature sensor
E	Outlet water temperature sensor
F	Inlet water temperature sensor
G	PED pressure relief valve HP side (22 bar)
H	PED pressure relief valve LP side (14.5 bar)
S	Shrader connection (Service only)
↓	Pipe connection with Shrader valve

Note: For reasons of readability, one circuit only is shown.

7 - Product Description (continued)

Refrigerant circuit - RC version



COMPONENTS	
1	Compressor (Screw type)
3	Filter drier
4	Electronic expansion valve
5	Globe valve
6	Heat exchanger (Shell & Tube Type)
7	Desuperheater (Optional)
9	Sight glass

SAFETY / CONTROL DEVICES	
A	High pressure switch (19.8 bar)
B	Low pressure switch (0.5 bar)
AT	High pressure transducer
BT	Low pressure transducer
D	Suction temperature sensor
E	Outlet water temperature sensor
F	Inlet water temperature sensor
G	PED pressure relief valve HP side (22 bar)
H	PED pressure relief valve LP side (14.5 bar)
S	Schrader connection (Service only)
↓	Pipe connection with Schrader valve

8 - Technical Data

8.1 Pressure drops

Evaporator Pressure drop

Model	Nom. Capacity	Qnom.	Qmax.	Qmin.	K	Dp nom	DP max	DP min
	kW	l/h	l/h	l/h	kPa/(l/h) ^ 2	kPa	kPa	kPa
440	446	76696	127827	54783	7.297E-09	42.9	119.2	21.9
490	496	85256	142094	60897	4.149E-09	30.2	83.8	15.4
570	573	98502	164170	70359	5.354E-09	52.0	144.3	26.5
630	639	109937	183229	78527	5.354E-09	64.7	179.8	33.0
700	710	122159	203598	87256	2.021E-09	30.2	83.8	15.4
770	789	135759	226266	96971	2.021E-09	37.2	103.5	19.0
860	878	151049	251749	107892	1.824E-09	41.6	115.6	21.2
920	939	161546	269244	115390	1.824E-09	47.6	132.2	24.3
990	1002	172290	287150	123064	1.435E-09	42.6	118.3	21.7
1070	1075	184901	308168	132072	1.392E-09	47.6	132.2	24.3
1130	1137	195575	325959	139697	1.392E-09	53.2	147.9	27.2
1220	1227	211038	351730	150742	7.245E-10	32.3	89.6	16.5
1280	1289	221624	369374	158303	7.245E-10	35.6	98.8	18.2
1400	1434	246703	411172	176217	1.020E-09	62.1	172.5	31.7
1550	1574	270809	451349	193435	1.020E-09	74.8	207.8	38.2

Condenser pressure drops

Model	Nom. Capacity	Qnom.	Qmax.	Qmin.	K	Dp nom	DP max	DP min
	kW	l/h	l/h	l/h	kPa/(l/h) ^ 2	kPa	kPa	kPa
440	530	91178	151964	56987	6.320E-09	52.5	146.0	20.5
490	590	101472	169120	63420	4.928E-09	50.7	141.0	19.8
570	680	116977	194961	73110	3.997E-09	54.7	151.9	21.4
630	760	130648	217746	81655	2.007E-09	34.3	95.2	13.4
700	846	145519	242532	90949	2.007E-09	42.5	118.0	16.6
770	939	161566	269276	100979	1.958E-09	51.1	142.0	20.0
860	522	89857	149761	56160	6.320E-09	51.0	141.8	19.9
920	525	90315	150525	56447	6.320E-09	51.6	143.2	20.1
	592	101844	169741	63653	4.928E-09	51.1	142.0	20.0
990	596	102507	170845	64067	4.928E-09	51.8	143.8	20.2
1070	601	103347	172245	64592	4.928E-09	52.6	146.2	20.6
	678	116541	194234	72838	3.997E-09	54.3	150.8	21.2
1130	676	116249	193749	72656	3.997E-09	54.0	150.1	21.1
1220	686	118001	196668	73751	3.997E-09	55.7	154.6	21.7
	774	133065	221775	83166	3.138E-09	55.6	154.3	21.7
1280	767	131888	219813	82430	3.138E-09	54.6	151.6	21.3
1400	853	146721	244535	91701	1.958E-09	42.2	117.1	16.5
1550	935	160884	268140	100552	1.958E-09	50.7	140.8	19.8

8 - Technical Data (continued)

Desuperheater pressure drop

Model	Nom. Capacity	Qnom.	Qmax.	Qmin.	K	Dp nom	DP max	DP min
	kW	l/h	l/h	l/h	kPa/(l/h) ²	kPa	kPa	kPa
440	34	5927	9878	3704	2.285E-08	0.8	2.2	0.3
490	38	6596	10993	4122	2.285E-08	1.0	2.8	0.4
570	44	7603	12672	4752	1.380E-08	0.8	2.2	0.3
630	49	8492	14154	5308	1.380E-08	1.0	2.8	0.4
700	not available							
770	not available							
860	34	5841	9734	3650	2.285E-08	0.8	2.2	0.3
920	36	6245	10409	3903	2.285E-08	0.9	2.5	0.3
990	39	6663	11105	4164	2.285E-08	1.0	2.8	0.4
1070	42	7146	11911	4466	1.380E-08	0.7	2.0	0.3
1130	44	7556	12594	4723	1.380E-08	0.8	2.2	0.3
1220	47	8160	13599	5100	1.380E-08	0.9	2.6	0.4
1280	50	8573	14288	5358	1.380E-08	1.0	2.8	0.4
1400	not available							
1550	not available							

(*) Capacity referred to only one circuit.

8 - Technical Data (continued)

8.2 Technical data

SyScrew Water EVO CO _ / S		440	490	570	630	700	770	860
Power supply	V/Ph/Hz	400 (± 10%) / 3 / 50						
Number of refrigerant circuits		1						2
Start-up Type		SD						
Total capacity steps	%	50-75-100						25-50-62-75-87-100
COMPRESSOR								
Number		1						2
Type		Screw						
INTERNAL HEAT EXCHANGER (EVAPORATOR)								
Number		1						
Type		Shell & tube (Pure counterflow)						
Water connections	inch	6	6	6	6	8	8	8
EXTERNAL HEAT EXCHANGER (CONDENSER)								
Number		1						2
Type		Shell & tube						
Water connections	inch	4	4	5	5	5	5	4
REFRIGERANT								
Type / GWP		R134a / 1430						
Charge (1)	kg	55	61	64	76	78	80	64+64
	tCO ₂ eq	78,7	87,2	91,5	108,7	111,5	114,4	91,5 + 91,5
DESUPERHEATER								
Number		1						2
Type		PHE						
Water connections	inch	2"1/2				N.A.		2"1/2
WEIGHT (_ VERSION)								
Shipping	kg	2509	2538	2701	2807	3185	3252	5124
Operating	kg	2690	2725	2918	3040	3523	3597	5579
WEIGHT (S VERSION)								
Shipping	kg	2703	2732	2895	3001	3379	3446	5511
Operating	kg	2884	2919	3112	3234	3717	3791	5966
DIMENSIONS (_ VERSION)								
Length	mm	3620	3620	4210	4210	4180	4180	4400
Width	mm	1350	1350	1350	1350	1350	1350	1520
Height	mm	1650	1650	1650	1650	1650	1650	1710
DIMENSIONS (S VERSION)								
Length	mm	3620	3620	4210	4210	4180	4180	4650
Width	mm	1350	1350	1350	1350	1350	1350	1520
Height	mm	1750	1750	1750	1750	1750	1750	1770

(1) The refrigerant value are indicative values for standard units. The actual data are indicated on the unit label.

8 - Technical Data (continued)

SyScrew Water EVO CO _ / S		920	990	1070	1130	1220	1280	1400	1550
Power supply	V/Ph/Hz	400 (± 10%) / 3 / 50							
Number of refrigerant circuits		2							
Start-up Type		SD							
Total capacity steps	%	25-50-62-75-87-100							
COMPRESSOR									
Number		2							
Type		Screw							
INTERNAL HEAT EXCHANGER (EVAPORATOR)									
Number		1							
Type		Shell & tube (Pure counterflow)							
Water connections	inch	8	10	10	10	10	10	10	10
EXTERNAL HEAT EXCHANGER (CONDENSER)									
Number		2							
Type		Shell & tube							
Water connections	inch	4	4	4 / 5	5	5	5	5	5
REFRIGERANT									
Type / GWP		R134a / 1430							
Charge (1)	kg	64+64	64+64	71+76	74+76	76+78	77+80	84+87	91+94
	tCO ₂ eq	91,5 + 91,5	91,5 + 91,5	101,5 + 108,7	105,8 + 108,7	108,7 + 111,5	110,1 + 114,4	120,1 + 124,4	130,1 + 134,4
DESUPERHEATER									
Number		2							
Type		PHE							
Water connections	inch	2"1/2						N.A.	
WEIGHT (_ VERSION)									
Shipping	kg	5154	5266	5400	5505	5596	5638	6132	6227
Operating	kg	5615	5826	5948	6055	6126	6175	6793	6888
WEIGHT (S VERSION)									
Shipping	kg	5541	5653	5787	5892	5983	6025	6519	6614
Operating	kg	6002	6213	6335	6442	6513	6562	7180	7275
DIMENSIONS (_ VERSION)									
Length	mm	4400	4600	4650	4650	4650	4650	5350	5350
Width	mm	1520	1520	1520	1520	1520	1520	1520	1520
Height	mm	1710	1710	1710	1710	1710	1710	1710	1710
DIMENSIONS (S VERSION)									
Length	mm	4650	4650	4650	4650	4650	4650	5400	5400
Width	mm	1520	1520	1520	1520	1520	1520	1520	1520
Height	mm	1770	1770	1770	1770	1770	1770	1770	1770

(1) The refrigerant value are indicative values for standard units. The actual data are indicated on the unit label.

8 - Technical Data (continued)

SyScrew Water EVO HP _ / S		440	490	570	630	700	770	860
Power supply	V/Ph/Hz	400 (± 10%) / 3 / 50						
Number of refrigerant circuits		1						2
Start-up Type		SD						
Total capacity steps	%	50-75-100						25-50-62-75-87-100
COMPRESSOR								
Number		1						2
Type		Screw						
INTERNAL HEAT EXCHANGER (EVAPORATOR)								
Number		1						
Type		Shell & tube (Pure counterflow)						
Water connections	inch	6	6	6	6	8	8	8
EXTERNAL HEAT EXCHANGER (CONDENSER)								
Number		1						2
Type		Shell & tube						
Water connections	inch	4	4	5	5	5	5	4
REFRIGERANT								
Type / GWP		R134a / 1430						
Charge (1)	kg	55	61	64	76	78	80	64+64
	tCO ₂ eq	78,7	87,2	91,5	108,7	111,5	114,4	91,5 + 91,5
DESUPERHEATER								
Number		1						2
Type		PHE						
Water connections	inch	2"1/2				N.A.		2"1/2
WEIGHT (_ VERSION)								
Shipping	kg	2509	2538	2701	2807	3185	3252	5124
Operating	kg	2690	2725	2918	3040	3523	3597	5579
WEIGHT (S VERSION)								
Shipping	kg	2703	2732	2895	3001	3379	3446	5511
Operating	kg	2884	2919	3112	3234	3717	3791	5966
DIMENSIONS (_ VERSION)								
Length	mm	3620	3620	4210	4210	4180	4180	4400
Width	mm	1350	1350	1350	1350	1350	1350	1520
Height	mm	1650	1650	1650	1650	1650	1650	1710
DIMENSIONS (S VERSION)								
Length	mm	3620	3620	4210	4210	4180	4180	4650
Width	mm	1350	1350	1350	1350	1350	1350	1520
Height	mm	1750	1750	1750	1750	1750	1750	1770

(1) The refrigerant value are indicative values for standard units. The actual data are indicated on the unit label.

8 - Technical Data (continued)

SyScrew Water EVO HP _ / S		920	990	1070	1130	1220	1280	1400	1550
Power supply	V/Ph/Hz	400 (± 10%) / 3 / 50							
Number of refrigerant circuits		2							
Start-up Type		SD							
Total capacity steps	%	25-50-62-75-87-100							
COMPRESSOR									
Number		2							
Type		Screw							
INTERNAL HEAT EXCHANGER (EVAPORATOR)									
Number		1							
Type		Shell & tube (Pure counterflow)							
Water connections	inch	8	10	10	10	10	10	10	10
EXTERNAL HEAT EXCHANGER (CONDENSER)									
Number		2							
Type		Shell & tube							
Water connections	inch	4	4	4 / 5	5	5	5	5	5
REFRIGERANT									
Type / GWP		R134a / 1430							
Charge (1)	kg	64+64	64+64	71+76	74+76	76+78	77+80	84+87	91+94
	tCO ₂ eq	91,5 + 91,5	91,5 + 91,5	101,5 + 108,7	105,8 + 108,7	108,7 + 111,5	110,1 + 114,4	120,1 + 124,4	130,1 + 134,4
DESUPERHEATER									
Number		2							
Type		PHE							
Water connections	inch	2"1/2						N.A.	
WEIGHT (_ VERSION)									
Shipping	kg	5154	5266	5400	5505	5596	5638	6132	6227
Operating	kg	5615	5826	5948	6055	6126	6175	6793	6888
WEIGHT (S VERSION)									
Shipping	kg	5541	5653	5787	5892	5983	6025	6519	6614
Operating	kg	6002	6213	6335	6442	6513	6562	7180	7275
DIMENSIONS (_ VERSION)									
Length	mm	4400	4600	4650	4650	4650	4650	5350	5350
Width	mm	1520	1520	1520	1520	1520	1520	1520	1520
Height	mm	1710	1710	1710	1710	1710	1710	1710	1710
DIMENSIONS (S VERSION)									
Length	mm	4650	4650	4650	4650	4650	4650	5400	5400
Width	mm	1520	1520	1520	1520	1520	1520	1520	1520
Height	mm	1770	1770	1770	1770	1770	1770	1770	1770

(1) The refrigerant value are indicative values for standard units. The actual data are indicated on the unit label.

8 - Technical Data (continued)

SyScrew Water EVO RC _ / S		440	490	570	630	700	770	860
Power supply	V/Ph/Hz	400 (± 10%) / 3 / 50						
Number of refrigerant circuits		1						2
Start-up Type		SD						
Total capacity steps	%	50-75-100						25-50-62-75-87-100
COMPRESSOR								
Number		1						2
Type		Screw						
INTERNAL HEAT EXCHANGER (EVAPORATOR)								
Number		1						
Type		Shell & tube (Pure counterflow)						
Water connections	inch	6	6	6	6	8	8	8
REMOTE CONDENSER CONNECTIONS								
Type		To be brazed						
Inlet refrigerant connections Circuit 1	inch	1.5/8"	1.5/8"	2.1/8"	2.1/8"	2.1/8"	2.1/8"	1.5/8"
Outlet refrigerant connections Circuit 1	inch	3.1/8"	3.1/8"	3.5/8"	3.5/8"	4.1/8"	4.1/8"	3.1/8"
Inlet refrigerant connections Circuit 2	inch	-	-	-	-	-	-	1.5/8"
Outlet refrigerant connections Circuit 2	inch	-	-	-	-	-	-	3.1/8"
REFRIGERANT								
Type / GWP		R134a / 1430						
Charge (1)	kg	55	61	64	76	78	80	64+64
	tCO ₂ ,eq	78,7	87,2	91,5	108,7	111,5	114,4	91,5 + 91,5
DESUPERHEATER								
Number		1						2
Type		PHE						
Water connections	inch	2"1/2				N.A.		2"1/2
WEIGHT (_ VERSION)								
Shipping	kg	2159	2169	2285	2305	2676	2716	4425
Operating	kg	2302	2312	2456	2476	2952	2992	4804
WEIGHT (S VERSION)								
Shipping	kg	2353	2363	2479	2499	2870	2910	4812
Operating	kg	2496	2506	2650	2670	3146	3186	5191
DIMENSIONS (_ VERSION)								
Length	mm	3620	3620	4210	4210	4180	4180	4400
Width	mm	1350	1350	1350	1350	1350	1350	1520
Height	mm	1650	1650	1650	1650	1650	1650	1710
DIMENSIONS (S VERSION)								
Length	mm	3620	3620	4210	4210	4180	4180	4650
Width	mm	1350	1350	1350	1350	1350	1350	1520
Height	mm	1750	1750	1750	1750	1750	1750	1770

(1) The value is representing the contribution to the global refrigerant charge given by the standard unit only. Contribution of connection piping and remote condenser is not included here.

8 - Technical Data (continued)

SyScrew Water EVO RC _ / S		920	990	1070	1130	1220	1280	1400	1550
Power supply	V/Ph/Hz	400 (± 10%) / 3 / 50							
Number of refrigerant circuits		2							
Start-up Type		SD							
Total capacity steps	%	25-50-62-75-87-100							
COMPRESSOR									
Number		2							
Type		Screw							
INTERNAL HEAT EXCHANGER (EVAPORATOR)									
Number		1							
Type		Shell & tube (Pure counterflow)							
Water connections	inch	8	10	10	10	10	10	10	10
REMOTE CONDENSER CONNECTIONS									
Type		To be brazed							
Inlet refrigerant connections Circuit 1	inch	1.5/8"	1.5/8"	2.1/8"	2.1/8"	2.1/8"	2.1/8"	2.1/8"	2.1/8"
Outlet refrigerant connections Circuit 1	inch	3.1/8"	3.1/8"	3.1/8"	3.1/8"	3.1/8"	3.1/8"	4.1/8"	4.1/8"
Inlet refrigerant connections Circuit 2	inch	1.5/8"	1.5/8"	2.1/8"	2.1/8"	2.1/8"	2.1/8"	2.1/8"	2.1/8"
Outlet refrigerant connections Circuit 2	inch	3.1/8"	3.1/8"	3.1/8"	3.1/8"	3.1/8"	3.1/8"	4.1/8"	4.1/8"
REFRIGERANT									
Type / GWP		R134a / 1430							
Charge (1)	kg	64+64	64+64	71+76	74+76	76+78	77+80	84+87	91+94
	tCO ₂ eq	91,5 + 91,5	91,5 + 91,5	101,5 + 108,7	105,8 + 108,7	108,7 + 111,5	110,1 + 114,4	120,1 + 124,4	130,1 + 134,4
DESUPERHEATER									
Number		2							
Type		PHE							
Water connections	inch	2"1/2						N.A.	
WEIGHT (_ VERSION)									
Shipping	kg	4435	4526	4613	4673	4739	4759	5073	5153
Operating	kg	4814	4998	5071	5131	5170	5190	5596	5676
WEIGHT (S VERSION)									
Shipping	kg	4822	4913	5000	5060	5126	5146	5460	5540
Operating	kg	5201	5385	5458	5518	5557	5577	5983	6063
DIMENSIONS (_ VERSION)									
Length	mm	4400	4600	4650	4650	4650	4650	5350	5350
Width	mm	1520	1520	1520	1520	1520	1520	1520	1520
Height	mm	1710	1710	1710	1710	1710	1710	1710	1710
DIMENSIONS (S VERSION)									
Length	mm	4650	4650	4650	4650	4650	4650	5400	5400
Width	mm	1520	1520	1520	1520	1520	1520	1520	1520
Height	mm	1770	1770	1770	1770	1770	1770	1770	1770

(1) The value is representing the contribution to the global refrigerant charge given by the standard unit only. Contribution of connection piping and remote condenser is not included here.

8 - Technical Data (continued)

8.3 Electrical data - SyScrew Water EVO CO

Model	System	Circuit	Com-pressor start mode	Nominal power input	Nominal current input	Maximum power input	Maximum current input - FLA	Start-up current - LRA	Nominal power factor	Corrected power factor*	Carter oil absorbed power (230 Vac)
				(kW)	(A)	(kW)	(A)	(A)	-	-	(W)
440	1	1	S/D	84	141	132	233	318	0,86	> 0.90	300
490	1	1	S/D	94	157	147	266	436	0,87	> 0.90	300
570	1	1	S/D	107	175	167	306	465	0,89	> 0.90	300
630	1	1	S/D	120	203	186	345	586	0,86	> 0.90	300
700	1	1	S/D	136	227	220	378	650	0,86	> 0.90	300
770	1	1	S/D	150	255	240	411	805	0,85	> 0.90	300
860	1	2	S/D	83	139	132	233	318	0,87	> 0.90	300
	2		S/D	83	139	132	233	318	0,87	> 0.90	300
920	1	2	S/D	84	141	132	233	318	0,86	> 0.90	300
	2		S/D	94	157	147	266	436	0,87	> 0.90	300
990	1	2	S/D	95	158	147	266	436	0,87	> 0.90	300
	2		S/D	95	158	147	266	436	0,87	> 0.90	300
1070	1	2	S/D	95	158	147	266	436	0,87	> 0.90	300
	2		S/D	108	176	167	306	465	0,89	> 0.90	300
1130	1	2	S/D	107	175	167	306	465	0,89	> 0.90	300
	2		S/D	107	175	167	306	465	0,89	> 0.90	300
1220	1	2	S/D	109	177	167	306	465	0,89	> 0.90	300
	2		S/D	124	209	186	345	586	0,86	> 0.90	300
1280	1	2	S/D	123	207	186	345	586	0,86	> 0.90	300
	2		S/D	123	207	186	345	586	0,86	> 0.90	300
1400	1	2	S/D	136	227	220	378	650	0,86	> 0.90	300
	2		S/D	136	227	220	378	650	0,86	> 0.90	300
1550	1	1	S/D	148	250	240	411	805	0,86	> 0.90	300
	2	2	S/D	148	250	240	411	805	0,86	> 0.90	300

S Version			440	490	570	630	700	770	860	920	990	1070	1130	1220	1280	1400	1550
Current input	Nominal	A	141	157	175	203	227	255	278	298	316	334	350	386	414	454	500
	Maximum	A	233	266	306	345	378	411	466	499	532	572	612	651	690	756	822
Power input	Nominal	kW	84	94	107	120	136	150	167	178	190	203	215	233	245	272	296
	Maximum	kW	132	147	167	186	220	240	264	279	294	314	334	353	372	440	480
Max Start-up current		A	318	436	465	586	650	805	551	669	702	731	771	892	931	1028	1216
UNIT (aM) FUSES		A	250	315	315	400	400	500	630	630	630	630	630	800	800	800	1000
Phase WIRE SECTION		mm ²	120	185	185	240	240	2x185	2x185	2x185	2x185	2x185	2x185	2x240	2x240	2x240	2x300

(*) Power factor correction capacitor option.

8 - Technical Data (continued)

Electrical data - SyScrew Water EVO HP-RC-BC

Model	System	Circuit	Com-pressor start mode	Nominal power input	Nominal current input	Maximum power input	Maximum current input - FLA	Start-up current - LRA	Nominal power factor*	Corrected power factor**	Carter oil absorbed power (230 Vac)
				(kW)	(A)	(kW)	(A)	(A)	-	-	(W)
440	1	1	S/D	100	166	144	280	436	0,87	> 0.90	300
490	1	1	S/D	111	181	161	310	465	0,89	> 0.90	300
570	1	1	S/D	129	217	188	320	586	0,86	> 0.90	300
630	1	1	S/D	145	242	212	360	650	0,87	> 0.90	300
700	1	1	S/D	168	278	240	413	805	0,87	> 0.90	300
770	1	1	S/D	178	300	259	447	917	0,86	> 0.90	300
860	1	2	S/D	99	165	144	280	436	0,86	> 0.90	300
	2		S/D	99	165	144	280	436	0,86	> 0.90	300
920	1	2	S/D	99	165	144	280	436	0,87	> 0.90	300
	2		S/D	111	181	161	310	465	0,89	> 0.90	300
990	1	2	S/D	113	183	161	310	465	0,89	> 0.90	300
	2		S/D	113	183	161	310	465	0,89	> 0.90	300
1070	1	2	S/D	113	183	161	310	465	0,89	> 0.90	300
	2		S/D	131	220	188	320	586	0,86	> 0.90	300
1130	1	2	S/D	130	218	188	320	586	0,86	> 0.90	300
	2		S/D	130	218	188	320	586	0,86	> 0.90	300
1220	1	2	S/D	132	220	188	320	586	0,86	> 0.90	300
	2		S/D	149	246	212	360	650	0,88	> 0.90	300
1280	1	2	S/D	147	244	212	360	650	0,87	> 0.90	300
	2		S/D	147	244	212	360	650	0,87	> 0.90	300
1400	1	2	S/D	168	278	240	413	805	0,87	> 0.90	300
	2		S/D	168	278	240	413	805	0,87	> 0.90	300
1550	1	1	S/D	176	297	259	447	917	0,86	> 0.90	300
	2	2	S/D	176	297	259	447	917	0,86	> 0.90	300

S Version			440	490	570	630	700	770	860	920	990	1070	1130	1220	1280	1400	1550
Current input	Nominal	A	166	181	217	242	278	300	330	346	366	403	436	466	488	556	594
	Maximum	A	280	310	320	360	413	447	560	590	620	630	640	680	720	826	894
Power input	Nominal	kW	100	111	129	145	168	178	197	210	225	244	259	280,9	294	335	352
	Maximum	kW	155	175	204	222	254	277	310	330	350	379	408	426	444	508	554
Max Start-up current		A	436	465	586	650	805	917	716	745	775	896	906	970	1010	1218	1364
UNIT (aM) FUSES		A	315	315	400	400	500	500	630	630	630	800	800	800	800	1000	1000
Phase WIRE SECTION		mm ²	185	185	240	240	2x185	2x185	2x185	2x185	2x185	2x240	2x240	2x240	2x240	2x300	2x300

(*) Data valid for HP version.

(**) Power factor correction capacitor option.

8 - Technical Data (continued)

8.4 Position of shock adsorbers and weight distribution on supports

SYSCREW WATER CO/HP/BC _	Weight distribution				Operating weight kg	Shipping weight kg	P coordinates		CG	
	F1	F2	F3	F4			a	b	x	y
	kg	kg	kg	kg			mm	mm	mm	mm
440	619	764	581	726	2690	2509	1050	2200	582	1069
490	634	773	589	729	2725	2538	1050	2200	579	1064
570	683	832	627	776	2918	2701	1050	2200	579	1057
630	746	861	659	774	3040	2807	1050	2200	565	1037
700	826	1021	740	936	3523	3185	1050	2200	583	1047
770	849	1042	756	949	3597	3252	1050	2200	581	1043
860	1242	1783	1006	1548	5579	5124	1220	2400	728	1099
920	1254	1791	1016	1553	5615	5154	1220	2400	727	1098
990	1301	1861	1052	1612	5826	5266	1220	2400	727	1097
1070	1325	1886	1088	1649	5948	5400	1220	2400	725	1104
1130	1374	1934	1094	1654	6055	5505	1220	2400	723	1089
1220	1391	1951	1112	1672	6126	5596	1220	2400	722	1091
1280	1413	1970	1117	1674	6175	5638	1220	2400	720	1085
1400	1397	2109	1288	1999	6793	6132	1220	2400	738	1161
1550	1409	2141	1303	2035	6888	6227	1220	2400	740	1163

SYSCREW WATER CO/HP/BC _ S	Weight distribution				Operating weight kg	Shipping weight kg	P coordinates		CG	
	F1	F2	F3	F4			a	b	x	y
	kg	kg	kg	kg			mm	mm	mm	mm
440	651	829	613	791	2884	2703	1050	2200	590	1071
490	666	838	622	794	2919	2732	1050	2200	587	1067
570	716	897	659	840	3112	2895	1050	2200	586	1060
630	778	926	691	839	3234	3001	1050	2200	573	1041
700	858	1086	773	1001	3717	3379	1050	2200	589	1049
770	882	1107	789	1014	3791	3446	1050	2200	587	1046
860	1309	1910	1073	1674	5966	5511	1220	2400	733	1105
920	1321	1918	1083	1680	6002	5541	1220	2400	731	1105
990	1368	1988	1119	1739	6213	5653	1220	2400	732	1104
1070	1392	2013	1155	1776	6335	5787	1220	2400	730	1110
1130	1440	2061	1160	1781	6442	5892	1220	2400	727	1096
1220	1457	2078	1179	1799	6513	5983	1220	2400	726	1097
1280	1480	2097	1184	1801	6562	6025	1220	2400	725	1092
1400	1400	2299	1291	2190	7180	6519	1220	2400	763	1163
1550	1412	2332	1306	2226	7275	6614	1220	2400	764	1165

8 - Technical Data (continued)

Position of shock adsorbers and weight distribution on supports

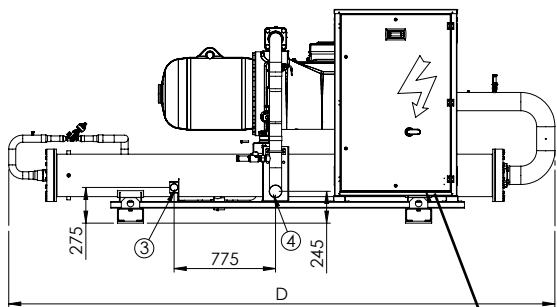
SYSCREW WATER RC _	Weight distribution				Operating weight kg	Shipping weight kg	P coordinates		CG	
	F1	F2	F3	F4			a	b	x	y
	kg	kg	kg	kg			mm	mm	mm	mm
440	401	675	476	750	2302	2159	1050	2200	650	1172
490	402	678	478	754	2312	2169	1050	2200	650	1171
570	426	726	502	802	2456	2285	1050	2200	653	1169
630	429	732	506	809	2476	2305	1050	2200	654	1168
700	507	890	586	969	2952	2676	1050	2200	661	1159
770	513	903	593	983	2992	2716	1050	2200	662	1159
860	811	1611	791	1591	4804	4425	1220	2400	813	1190
920	810	1613	794	1597	4814	4435	1220	2400	813	1192
990	844	1676	823	1655	4998	4526	1220	2400	813	1190
1070	842	1690	846	1694	5071	4613	1220	2400	814	1202
1130	865	1727	839	1701	5131	4673	1220	2400	815	1188
1220	866	1736	849	1719	5170	4739	1220	2400	815	1192
1280	874	1749	846	1721	5190	4759	1220	2400	816	1187
1400	823	1775	1023	1975	5596	5073	1220	2400	818	1285
1550	832	1803	1035	2006	5676	5153	1220	2400	819	1286

SYSCREW WATER RC _ S	Weight distribution				Operating weight kg	Shipping weight kg	P coordinates		CG	
	F1	F2	F3	F4			a	b	x	y
	kg	kg	kg	kg			mm	mm	mm	mm
440	433	740	508	815	2496	2353	1050	2200	654	1166
490	435	743	510	818	2506	2363	1050	2200	654	1166
570	458	790	535	867	2650	2479	1050	2200	657	1163
630	461	797	538	874	2670	2499	1050	2200	657	1163
700	540	954	619	1033	3146	2870	1050	2200	663	1155
770	546	967	626	1047	3186	2910	1050	2200	664	1155
860	878	1738	858	1718	5191	4812	1220	2400	812	1191
920	877	1739	861	1723	5201	4822	1220	2400	812	1193
990	911	1803	890	1782	5385	4913	1220	2400	812	1191
1070	908	1817	912	1821	5458	5000	1220	2400	813	1202
1130	931	1854	905	1828	5518	5060	1220	2400	814	1189
1220	933	1863	915	1845	5557	5126	1220	2400	814	1192
1280	941	1876	913	1848	5577	5146	1220	2400	815	1188
1400	827	1966	1026	2165	5983	5460	1220	2400	842	1280
1550	835	1994	1038	2196	6063	5540	1220	2400	843	1280

8 - Technical Data (continued)

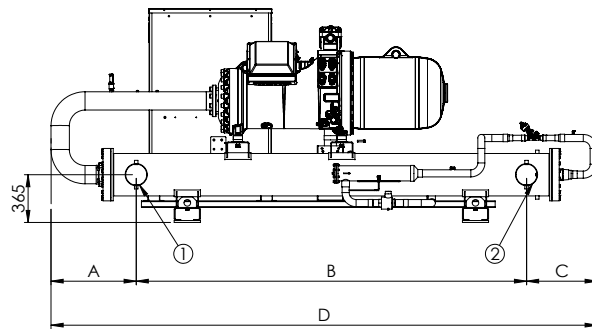
8.5 Dimensional drawings - SyScrew 440-770 Water EVO RC

Front view

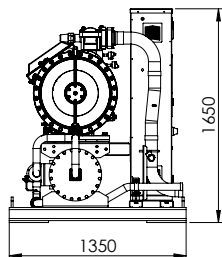


ELECTRICAL POWER SUPPLY FROM ELECTRIC BOX BOTTOM

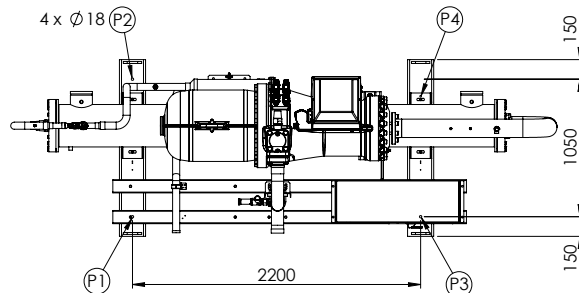
Side view



Back view



Top view



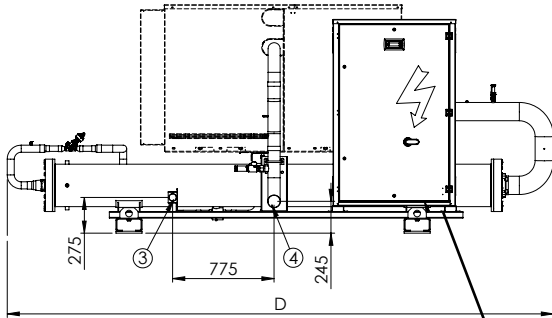
1	Evaporator water inlet victaulic connection
2	Evaporator water outlet victaulic connection
3	Liquid connection
4	Discharge connection
P1, P2, P3, P4	AVM position

Size	A	B	C	D	dia 1-2	dia 3	dia 4
440-490	650	2410	560	3620	DN150 (6")	1 5/8"	3 1/8"
570-630	680	2980	550	4210	DN150 (6")	2 1/8"	3 5/8"
700-770	720	2860	600	4180	DN200 (8")	2 1/8"	4 1/8"

8 - Technical Data (continued)

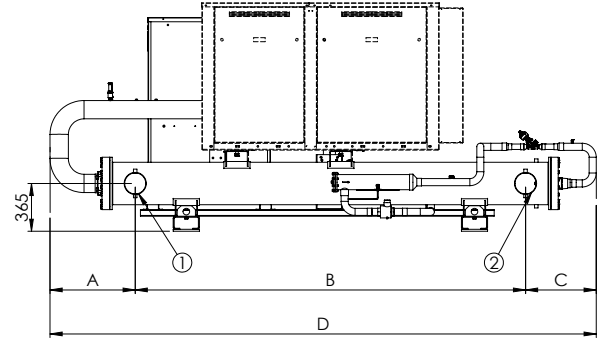
Dimensional drawings - SyScrew 440-770 Water EVO RC_S

Front view

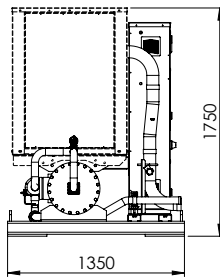


ELECTRICAL POWER SUPPLY
FROM ELECTRIC BOX BOTTOM

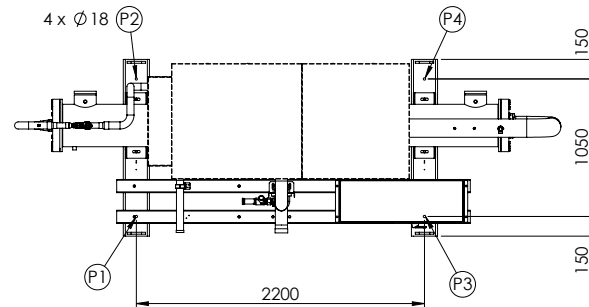
Side view



Back view



Top view



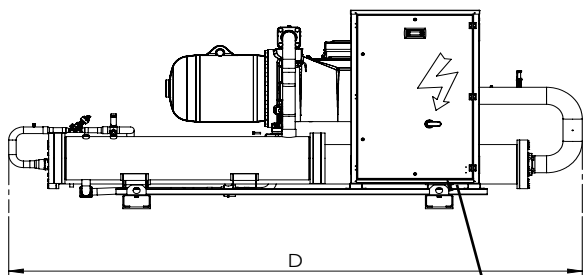
1	Evaporator water inlet victaulic connection
2	Evaporator water outlet victaulic connection
3	Liquid connection
4	Discharge connection
P1, P2, P3, P4	AVM position

Size	A	B	C	D	dia 1-2	dia 3	dia 4
440-490	650	2410	560	3620	DN150 (6")	1 5/8"	3 1/8"
570-630	680	2980	550	4210	DN150 (6")	2 1/8"	3 5/8"
700-770	720	2860	600	4180	DN200 (8")	2 1/8"	4 1/8"

8 - Technical Data (continued)

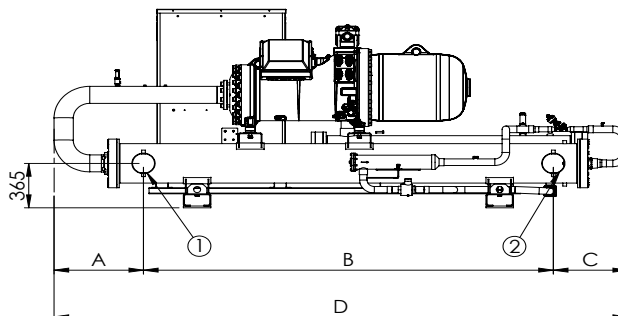
Dimensional drawings - SyScrew 440-770 Water EVO CO / HP

Front view

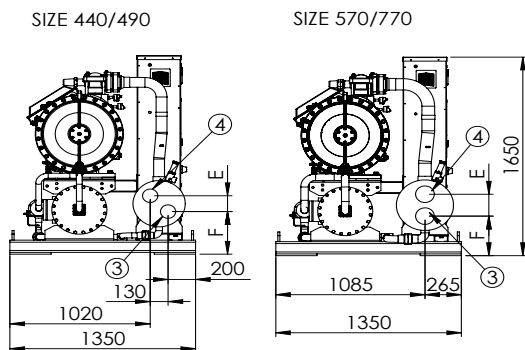


ELECTRICAL POWER SUPPLY FROM ELECTRIC BOX BOTTOM

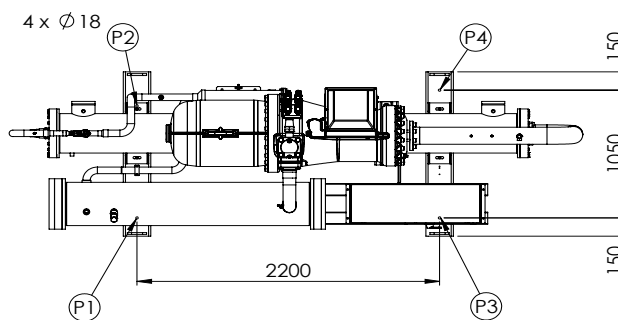
Side view



Back view



Top view



1	Evaporator water inlet victaulic connection
2	Evaporator water outlet victaulic connection
3	Condenser water inlet victaulic connection
4	Condenser water outlet victaulic connection
P1, P2, P3, P4	AVM position

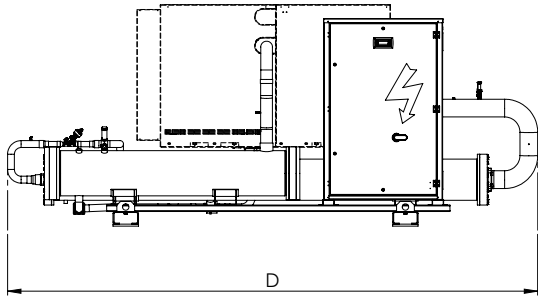
Size	A	B	C	D
440-490	650	2410	560	3620
570	680	2980	550	4210
630	680	2980	550	4210
700-770	720	2860	600	4180

Size	E	F	dia 1-2	dia 3-4
440-490	130	350	DN150 (6")	DN100 (4")
570	180	325	DN150 (6")	DN125 (5")
630	210	335	DN150 (6")	DN125 (5")
700-770	210	335	DN200 (8")	DN125 (5")

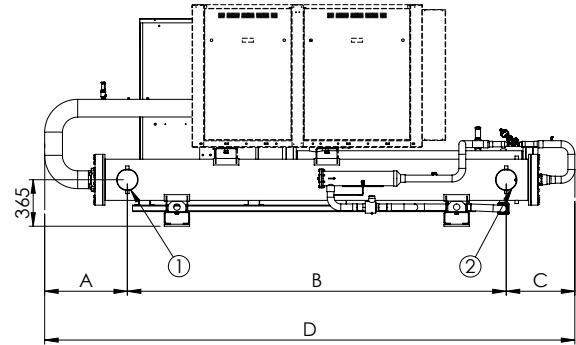
8 - Technical Data (continued)

Dimensional drawings - SyScrew 440-770 Water EVO CO / HP_S

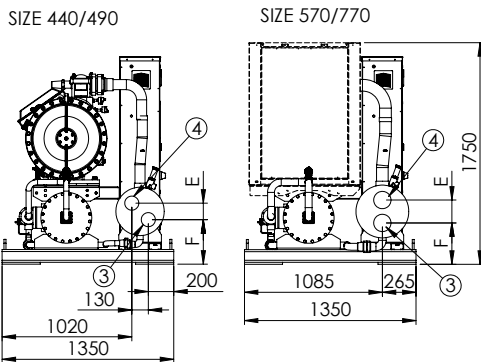
Front view



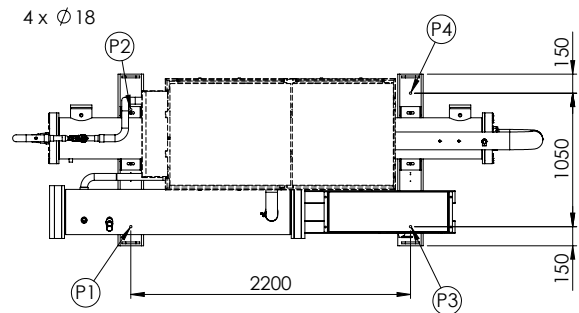
Side view



Back view



Top view



1	Evaporator water inlet victaulic connection
2	Evaporator water outlet victaulic connection
3	Condenser water inlet victaulic connection
4	Condenser water outlet victaulic connection
P1, P2, P3, P4	AVM position

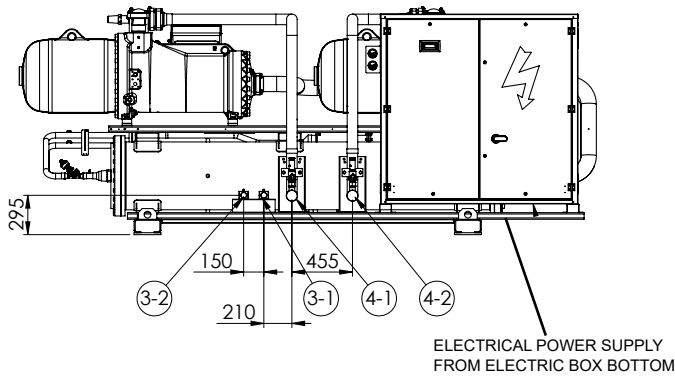
Size	A	B	C	D
440-490	650	2410	560	3620
570	680	2980	550	4210
630	680	2980	550	4210
700-770	720	2860	600	4180

Size	E	F	dia 1-2	dia 3-4
440-490	130	350	DN150 (6")	DN100 (4")
570	180	325	DN150 (6")	DN125 (5")
630	210	335	DN150 (6")	DN125 (5")
700-770	210	335	DN200 (8")	DN125 (5")

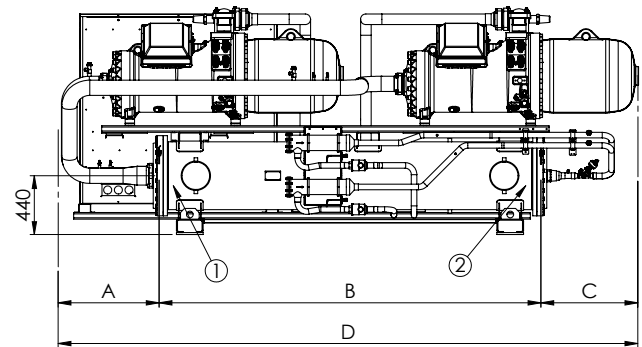
8 - Technical Data (continued)

Dimensional drawings - SyScrew 860-1550 Water EVO RC

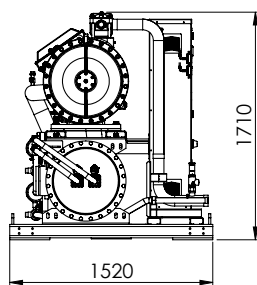
Front view



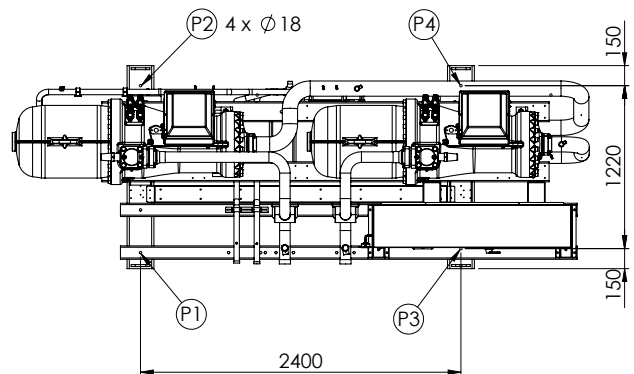
Side view



Back view



Top view



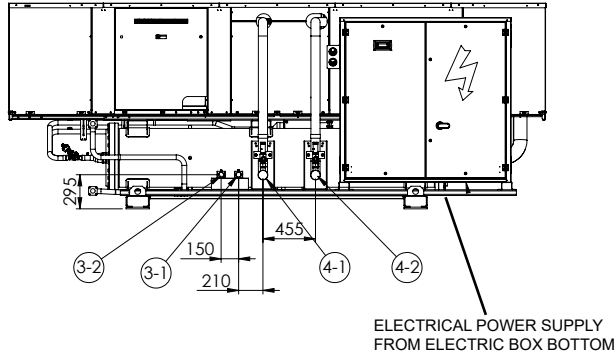
1	Evaporator water inlet victaulic connection
2	Evaporator water outlet victaulic connection
3-1	Liquid connection circ 1
3-2	Liquid connection circ 2
4-1	Discharge connection circ 1
4-2	Discharge connection circ 2
P1, P2, P3, P4	AVM position

Size	A	B	C	D	dia 1-2	dia 3	dia 4
860	1090	2310	1000	4400	DN200 (8")	1 5/8"	3 1/8"
920	1090	2310	1000	4400	DN200 (8")	1 5/8"	3 1/8"
990	850	2860	890	4600	DN250 (10")	1 5/8"	3 1/8"
1070	850	2860	940	4650	DN250 (10")	2 1/8"	3 1/8"
1130	850	2860	940	4650	DN250 (10")	2 1/8"	3 1/8"
1220	850	2860	940	4650	DN250 (10")	2 1/8"	3 1/8"
1280	850	2860	940	4650	DN250 (10")	2 1/8"	3 1/8"
1400	860	3570	920	5350	DN250 (10")	2 1/8"	4 1/8"
1550	860	3570	920	5350	DN250 (10")	2 1/8"	4 1/8"

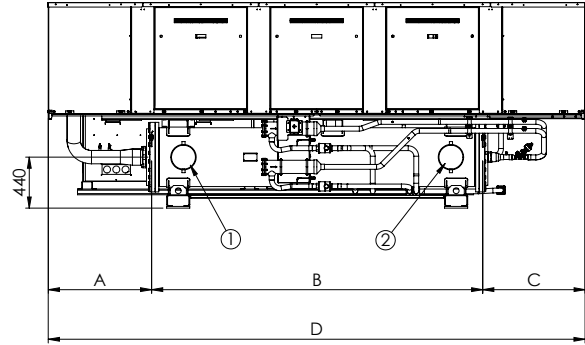
8 - Technical Data (continued)

Dimensional drawings - SyScrew 860-1550 Water EVO RC_S

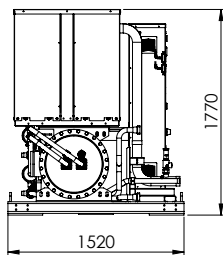
Front view



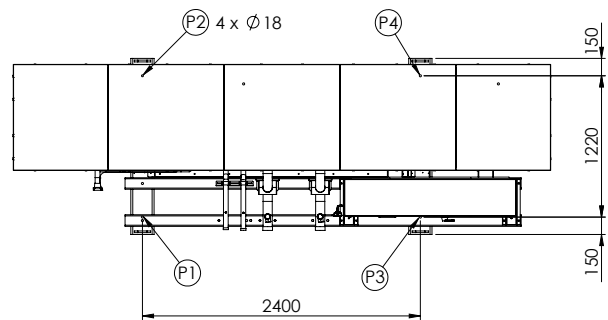
Side view



Back view



Top view



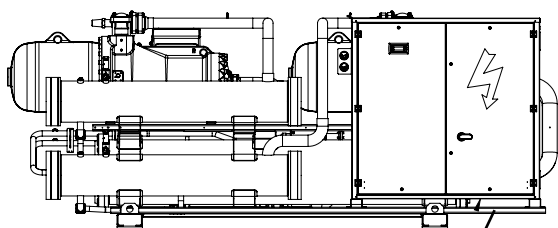
1	Evaporator water inlet victaulic connection
2	Evaporator water outlet victaulic connection
3-1	Liquid connection circ 1
3-2	Liquid connection circ 2
4-1	Discharge connection circ 1
4-2	Discharge connection circ 2
P1, P2, P3, P4	AVM position

Size	A	B	C	D	dia 1-2	dia 3	dia 4
860	1170	2310	1170	4650	DN200 (8")	1 5/8"	3 1/8"
920	1170	2310	1170	4650	DN200 (8")	1 5/8"	3 1/8"
990	890	2860	900	4650	DN250 (10")	1 5/8"	3 1/8"
1070	890	2860	900	4650	DN250 (10")	2 1/8"	3 1/8"
1130	890	2860	900	4650	DN250 (10")	2 1/8"	3 1/8"
1220	890	2860	900	4650	DN250 (10")	2 1/8"	3 1/8"
1280	890	2860	960	4710	DN250 (10")	2 1/8"	3 1/8"
1400	910	3570	920	5400	DN250 (10")	2 1/8"	4 1/8"
1550	910	3570	920	5400	DN250 (10")	2 1/8"	4 1/8"

8 - Technical Data (continued)

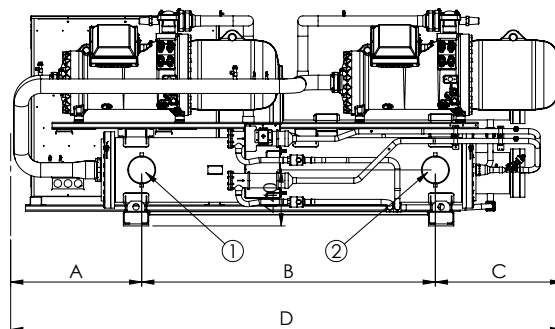
Dimensional drawings - SyScrew 860-1550 Water EVO CO / HP

Front view

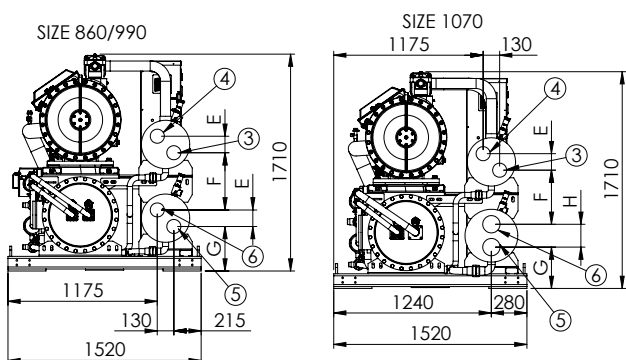


ELECTRICAL POWER SUPPLY
FROM ELECTRIC BOX BOTTOM

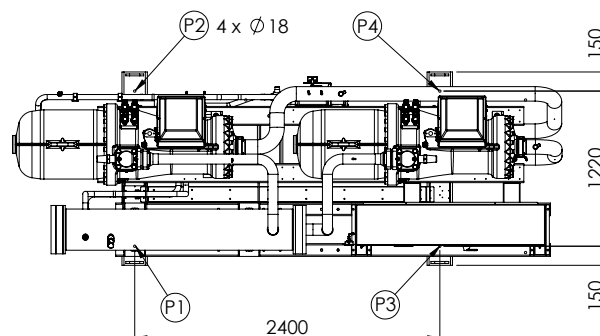
Side view



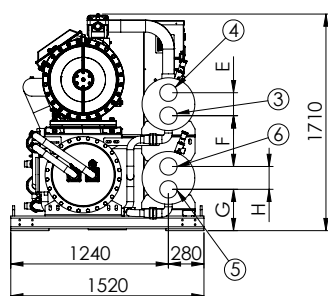
Back view



Top view



SIZE 1130/1550



Size	A	B	C	D	E	F	G	H
860	1090	2310	1000	4400	130	450	350	-
920	1090	2310	1000	4400	130	450	350	-
990	850	2860	890	4600	130	450	350	-
1070	850	2860	940	4650	130	425	325	180
1130	850	2860	940	4650	180	400	325	180
1220	850	2860	940	4650	180	400	325	180
1280	850	2860	940	4650	180	400	325	180
1400	860	3570	920	5350	210	450	310	210
1550	860	3570	920	5350	210	450	310	210

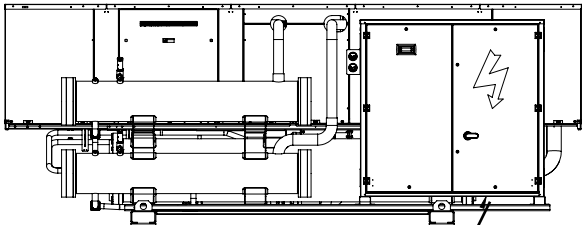
1	Evaporator water inlet victaulic connection
2	Evaporator water outlet victaulic connection
3-5	Condenser water inlet victaulic connection
4-6	Condenser water outlet victaulic connection
P1, P2, P3, P4	AVM position

Size	dia 1-2	dia 3	dia 4	dia 5	dia 6
860	DN200 (8")	DN100 (4")	DN100 (4")	DN100 (4")	DN100 (4")
920	DN200 (8")	DN100 (4")	DN100 (4")	DN100 (4")	DN100 (4")
990	DN250 (10")	DN100 (4")	DN100 (4")	DN100 (4")	DN100 (4")
1070	DN250 (10")	DN100 (4")	DN100 (4")	DN125 (5")	DN125 (5")
1130	DN250 (10")	DN125 (5")	DN125 (5")	DN125 (5")	DN125 (5")
1220	DN250 (10")	DN125 (5")	DN125 (5")	DN125 (5")	DN125 (5")
1280	DN250 (10")	DN125 (5")	DN125 (5")	DN125 (5")	DN125 (5")
1400	DN250 (10")	DN125 (5")	DN125 (5")	DN125 (5")	DN125 (5")
1550	DN250 (10")	DN125 (5")	DN125 (5")	DN125 (5")	DN125 (5")

8 - Technical Data (continued)

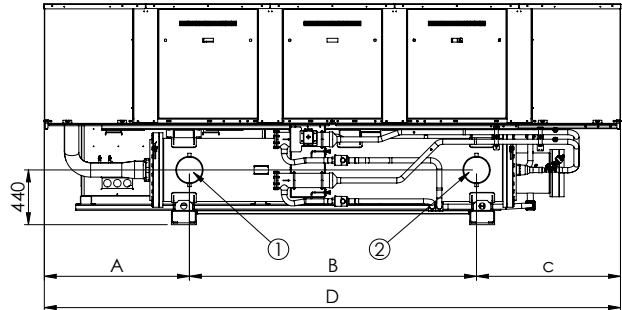
Dimensional drawings - SyScrew 860-1550 Water EVO CO / HP_S

Front view

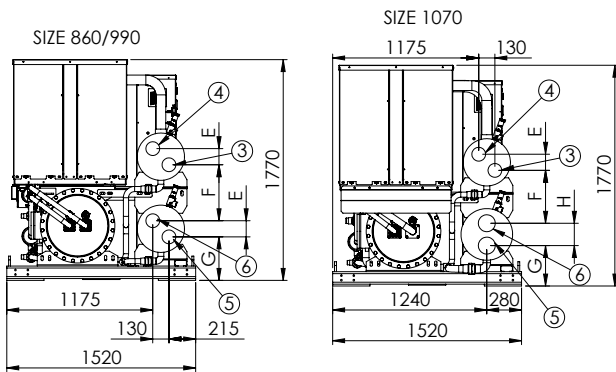


ELECTRICAL POWER SUPPLY FROM ELECTRIC BOX BOTTOM

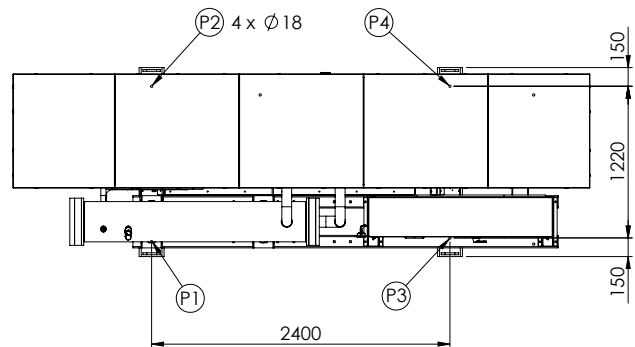
Side view



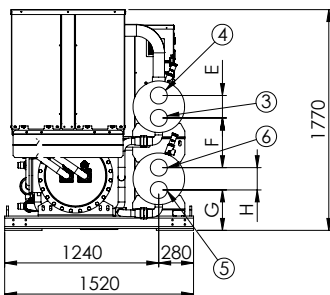
Back view



Top view



SIZE 1130/1550



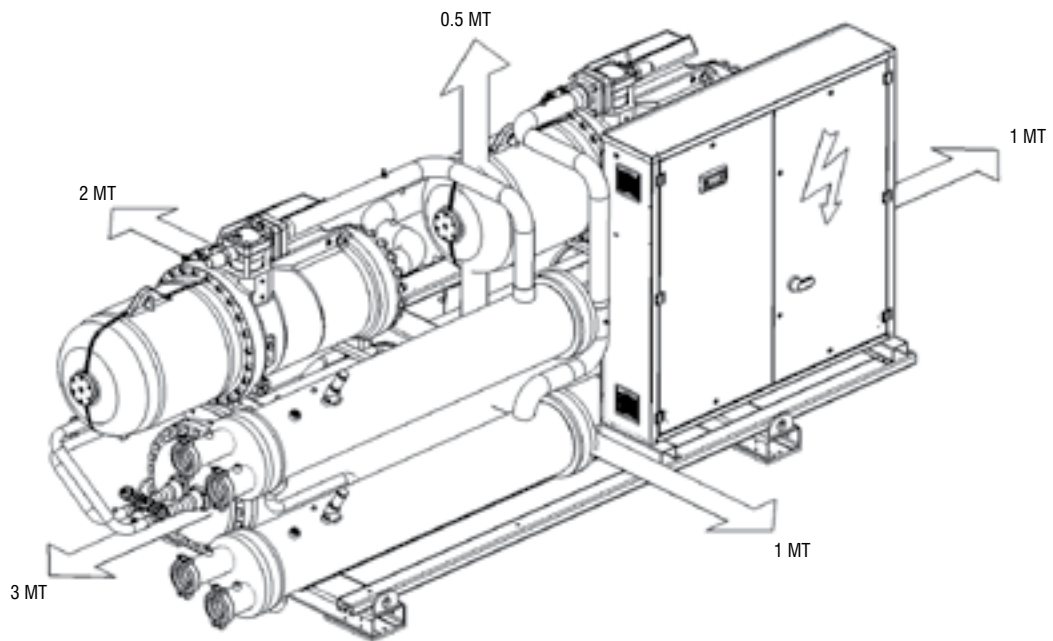
Size	A	B	C	D	E	F	G	H
860	1170	2310	1170	4650	130	450	350	-
920	1170	2310	1170	4650	130	450	350	-
990	890	2860	900	4650	130	450	350	-
1070	890	2860	900	4650	130	425	325	180
1130	890	2860	900	4650	180	400	325	180
1220	890	2860	900	4650	180	400	325	180
1280	890	2860	900	4650	180	400	325	180
1400	910	3570	920	5400	210	450	310	210
1550	910	3570	920	5400	210	450	310	210

1	Evaporator water inlet victaulic connection
2	Evaporator water outlet victaulic connection
3-5	Condenser water inlet victaulic connection
4-6	Condenser water outlet victaulic connection
P1, P2, P3, P4	AVM position

Size	dia 1-2	dia 3	dia 4	dia 5	dia 6
860	DN200 (8")	DN100 (4")	DN100 (4")	DN100 (4")	DN100 (4")
920	DN200 (8")	DN100 (4")	DN100 (4")	DN100 (4")	DN100 (4")
990	DN250 (10")	DN100 (4")	DN100 (4")	DN100 (4")	DN100 (4")
1070	DN250 (10")	DN100 (4")	DN100 (4")	DN125 (5")	DN125 (5")
1130	DN250 (10")	DN125 (5")	DN125 (5")	DN125 (5")	DN125 (5")
1220	DN250 (10")	DN125 (5")	DN125 (5")	DN125 (5")	DN125 (5")
1280	DN250 (10")	DN125 (5")	DN125 (5")	DN125 (5")	DN125 (5")
1400	DN250 (10")	DN125 (5")	DN125 (5")	DN125 (5")	DN125 (5")
1550	DN250 (10")	DN125 (5")	DN125 (5")	DN125 (5")	DN125 (5")


8 - Technical Data (continued)


8.6 Service spaces



9 - Maintenance

Carefully read the “Safety” section of this manual before carrying out any maintenance operations.

	<p>Do not discharge the refrigerant into the atmosphere while the refrigeration circuits are being drained. Use appropriate recovery equipment.</p> <p>When the recovered refrigerant cannot be re-used, return it to the manufacturer.</p>
---	---

	<p>Do not throw away the waste oil of the compressor, because it contains refrigerant in solution.</p> <p>The waste oil must be returned to the manufacturer.</p>
---	---

Unless otherwise specified, the operations described below may be carried out only by a trained maintenance operator.

9.1 General requirements

Units have been designed for continuous operation, providing that they are subjected to regular maintenance, within the limits specified in this manual. Each unit must be serviced according to the programme by the User/Customer, and must be inspected at regular intervals by the personnel of one authorised Service Centers.

It is the responsibility of the User to meet these maintenance requirements and/or to enter into an agreement with one of authorised Service Centers, so as to properly safeguard the operation of the appliance.

During the warranty period, in case of damage or failures caused by improper maintenance, manufacturer will not refund the costs incurred to repair the appliance in its original state.

The provisions of this section apply only to standard units; according to the order requirements, other documentation may be added, concerning any modifications or supplementary accessories.

9.2 Planned maintenance


Maintenance inspections must be carried out according to the program below, by a qualified person.


As a general rule, units cannot be repaired directly by the user, who shall not try to service or repair any failures or anomalies identified during daily inspections. If you are in doubt, please contact authorised Service Centre.

Operations	Daily	Weekly	Monthly	Beginning of season	End of season
Check the temperature of the leaving fluid	●				
Check the pressure drops in the heat exchanger		●			
Check for electric absorption		●			
Check suction pressure and temperature		●			
Check delivery pressure and temperature		●			
Check the oil level in the compressor		●			
Check that there are no gas bubbles in the liquid line		●			
Check that the fins of the external coil are clean (if any)			●		
Check the operation of the oil heaters			●		
Check the remote control switches			●		
Check the operation of the LP pressure switch				●	
Check the operation of the HP pressure switch				●	
Check the insulation of the heat exchanger				●	
Check that terminals are tightened				●	
Check that the terminals' screws are tightened				●	
Clean the exterior of the unit with water and soap				●	
Check the density of the antifreeze (if any)				●	●
Check the operation of the flow switches				●	
Check the operation of the solenoid valve				●	●

9 - Maintenance (continued)

9.3 Refrigerant charge

	<p>Do not inject refrigerant liquid into the LP side of the circuit. Be very careful, and charge the circuit properly.</p> <p>If the charge is insufficient, the efficiency of the unit will be lower than expected. In the worst of cases the LP pressure switch may be activated, resulting in the halting of the unit.</p> <p>In the presence of an excess charge, the condensing pressure will rise (in the worst of cases, the HP pressure switch may be activated, resulting in the stop of the equipment), and the consumption will increase as well.</p>
---	---

	<p>It is strictly forbidden to use the compressor as a vacuum pump to drain the plant.</p>
---	---

Fill the refrigeration circuit after it has been drained for maintenance purposes (leaks, replacement of the compressor etc.). The amount of the charge is indicated on the plate affixed to the unit.

Before refilling, it is important to drain and de-hydrate the circuit, thus obtaining a minimum abs. pressure value of 0.06 mbar.

Inject the refrigerant fluid before removing the vacuum, then fill the circuit up to 90% of the total gas requirement (in liquid form). The appliance must be filled through the filling valve on the liquid line, on the outlet side of the condenser.


It is recommended to connect the refrigerant cylinder to the filling valve on the liquid line, and to arrange it in such a way as to inject only liquid refrigerant.


Then start the compressor and let the gas flow from the cylinder, up until the liquid flow, which can be observed through the sight glass, is limpid.

9.4 Compressor

Compressors are delivered with the necessary charge of lubricating oil. During normal operation, this charge is sufficient for the whole life of the unit, providing that the efficiency of the refrigeration circuit is satisfactory and if it has not been overhauled.

If the compressor needs to be replaced (following a mechanical failure or if burnt), contact one of manufacturer.

	<p>If the compressor had to be replaced (due to burning of the winding or to mechanical failure), please contact one of the Authorized Service Centers.</p>
---	--

	<p>Compressors use polyester oil. During maintenance operations on the compressor, or if you have to open the refrigerant circuit in any point, remember that this type of oil is highly hygroscopic, and accordingly it is important that it is not left exposed to the weather for prolonged periods, as this would require the replacement of the oil.</p>
---	--

9.5 Condenser

Check at regular intervals that the water side of the heat exchanger is perfectly clean. To do this, measure the pressure drop, water side or measure the temperature of the liquid leaving and entering the heat exchanger, and compare it to the condensing temperature..

To obtain an effective heat exchange, the difference between the temperature of the leaving water and the saturated condensing temperature must be in the 3 - 5°C range. A greater difference would indicate a low efficiency of the heat exchanger (i.e. the heat exchanger is dirty).

In this case, the heat exchanger must be subjected to chemical cleaning, an operation that shall be carried out by authorised engineers.

For other maintenance operations (extraordinary overhauling, replacement of the heat exchanger etc.), contact an authorised Service Centre.

9.6 Dehydrating filter

The refrigeration circuits are provided with dehydrating filters.

The filter clogging is marked by the presence of air bubbles in the sight glass, or by the difference between the temperatures measured downstream from and upstream of the drying filter. If, once the cartridge has been cleaned, there are still some air bubbles, the appliance has lost a part of the refrigerant charge in one or more points, that must be identified and serviced.

9 - Maintenance (continued)

9.7 Sight glass

The sight glass is used for inspecting the refrigerant flow and the humidity % of the refrigerant. The presence of bubbles indicates that the dehydrating filter is clogged or the charge insufficient.

A colour indicator is positioned inside the sight glass. If you compare the colour of the indicator to the scale on the ring of the sight glass, you can calculate the percentage of humidity of the refrigerant. If it is excessive, replace the filter's cartridge, operate the appliance for 1 day and then check the humidity % again. When the humidity % is within the pre-determined range, no other operations are required. If the humidity % is still too high, replace the dehydrating filter again, start the unit and operate it for another day.

9.8 Electronic expansion valve

The circuit of the unit is equipped with electronic expansion valve.

The valve is calibrated for an overheating of 6 °C.

Procedure to check for overheating:

- Measure the suction pressure with the pressure gauges on the board of the unit or using a pressure gauge connected to the service valve on the suction side.
- From the pressure gauge's temperature scale, measure the saturated suction temperature (Tsa) which corresponds to the pressure value.
- Using a contact pressure gauge affixed to the outlet fitting of the gas of the evaporator, measure the actual temperature (Tse).

Overheating calculation (S):

$$S = Tse - Tsa$$

Overheating is regulated through the expansion valve.

If the electronic expansion valve cannot be regulated, it is probably broken, and shall be replaced. The replacement must be carried out by a Service Centre.

9.9 Evaporator

Check at regular intervals that the water side of the heat exchanger is perfectly clean. To do this, measure the pressure drop, water side (see Section 8) or measure the temperature of the liquid leaving and entering the heat exchanger, and compare it to the evaporation temperature.

To obtain an effective heat exchange, the difference between the temperature of the leaving water and the saturated evaporating temperature must be in the 2 - 4 °C range. A greater difference would indicate a low efficiency of the heat exchanger (i.e. the heat exchanger is dirty).

In this case, the heat exchanger must be subjected to chemical cleaning, an operation that shall be carried out by authorised engineers.

For other maintenance operations (extraordinary overhauling, replacement of the heat exchanger etc.), contact an authorised Service Centre.

10 - Troubleshooting

The table below lists the anomalies of operation of the unit, the relevant causes and the corrective measures. For anomalies of any other type or not listed, contact one of authorised Service Centre for technical assistance.

Anomaly	Cause	Operation
The unit continues to work, but without cooling	Insufficient charge of refrigerant.	Refill.
	The dehydrating filter is clogged.	Replace.
Ice on the suction line	Wrong calibration of overheating.	Increase overheating.
		Check the charge.
Excessive noise	Vibration of lines.	Check the clamping brackets, if any.
	Whistler emitted by the thermostatic expansion valve.	Refill.
		Check the dehydrating filter.
	Noisy compressor.	Seized bearings; replace the compressor.
Check that the compressor's locknuts are tightened.		
Low oil level in the compressor	One or more gas or oil leaks in the circuit.	Identify and remove leaks.
	Mechanical failure of the compressor.	Request the intervention of a Service Centre.
	Anomaly of the oil heater of the compressor's base.	Check the electric circuit and the resistor of the heater of the motor base, and replace defective components.
One or both compressors are not working	Breaking of the electric circuit.	Check the electric circuit and detect any ground dispersions and short circuits. Check fuses.
	Intervention of the HP pressure switch.	Reset the pressure switch and the control panel and restart the appliance. Identify and remove the cause that enabled the pressure switch.
	The fuse of the control circuit is broken.	Check for ground dispersions and short circuits. Replace fuses.
	Loosened terminals.	Check and tighten.
	Halt caused by thermal overload of the electric circuit.	Check the operation of check and safety devices. Identify and remove the cause.
	Wrong wiring.	Check wiring of check and safety devices.
	The line voltage is too low.	Check voltage. If problems regard the system, solve them. If they are caused by the distribution network, inform the Energy Distributor.
	Short-circuit of the compressor's motor.	Check the continuity of the winding.
Seized compressor.	Replace the compressor.	
Activation of the LP alarm, stop of the unit	Gas leak.	Identify and remove the leak.
	Insufficient charge.	Refill.
	Failure of the pressure switch.	Replace the pressure switch.
Activation of the HP alarm, stop of the unit	Failure of the pressure switch.	Check the operation of the pressure switch, replace it if defective.
	The delivery valve is partially closed.	Open the valve and replace it, if faulty.
	Substances with condensable gases in the circuit.	Drain the circuit.
	The fan of the condenser is stopped.	Check cables and motor. If defective, repair or replace.
The liquid line is too hot	Insufficient charge.	Identify and remove the cause of the loss of charge and refill.
Frosting of the liquid line	The valve of the liquid line is partially closed.	Check that valves are open.
	The liquid filter is clogged.	Replace the cartridge or the filter.

11 - Spare Parts

11.1 Spare part list

The table below shows the list of spare parts recommended during the first two years of operation.

Component	Number
HP pressure switch	2 / 4
LP pressure switch	2 / 4
Gas filter	1 / 2
Electronic expansion valve	1 / 2
Auxiliary relays	2
Compressor's fuses	3 / 6
Auxiliary fuses	6
Set of compressor contactors	1
Water sensor	2
Electronic card	1
Keyboard	1
Compressor oil resistor	1 / 2

11.2 Oil for compressors

The compressors are lubricated with Ester oil BSE 170 (Viscosity of 170 St / 40 °C).

11.3 Wiring diagrams

The wiring diagrams are installed inside the doors of the electrical panels of the unit. Any request for wiring diagrams shall be forwarded to manufacturer's Service Centre.

12 - Dismantling, Demolition and Scrapping



During the draining of the refrigeration circuits, do not let the refrigerant overflow in the surrounding atmosphere.

The circuit must be drained using suitable recovery equipment.



Do not disperse the waste oil of the compressors in the environment, since it contains some dissolved refrigerant.

For the disposal, contact the competent authority for information.

Unless otherwise specified, the maintenance operations listed below may be carried out by any trained maintenance operator.

12.1 Generalities

Open each line that supplies the unit, including the ones of control circuits. Make sure that all disconnecting switches are secured in the off position. The power cables can be disconnected and disassembled. Refer to Chapter 4 for the position of connection points.

Remove all the refrigerant from the refrigeration circuits of the unit and store it in suitable containers, using a recovery unit. If its characteristics have remained the same, the refrigerant can be used again. Contact the competent authority to obtain information about disposal. In **NO** event shall the refrigerant be discharged into the atmosphere. The oil in each refrigeration circuit must be drained and collected into a suitable container; then it shall be disposed of in conformity with local regulations that apply to the disposal of waste lubricants. Any oil spillage must be recovered and disposed of in like manner.

Isolate the unit's heat exchangers from the external hydraulic circuits and drain the heat exchange sections of the plant.



If no shutoff valves have been provided, it may be necessary to drain the whole plant.

If a glycoled solution or a similar fluid has been used in the hydraulic circuits, or if chemical additives have been added to the circulating water, the circulating fluid MUST be drained in a proper way.

For NO reason shall a circuit containing glycoled water or a similar solution be discharged directly into the drains or surface waters.

After draining operations, the piping of the hydraulic networks can be disconnected and disassembled.

Once they have been disconnected as specified, the packaged units can be disassembled in a single piece. First of all, disassemble the anchoring screws and then lift the unit from the position of installation, and hook it to the lifting points provided, using suitable lifting equipment.

To this end, refer to Chapter 4 for the installation of these appliances, to Chapter 8 for their weights and Chapter 3 for handling.

The units that, once disconnected, cannot be removed in a single piece, must be dismantled on site; in this case, be very careful with the weight and handling of every single component.

It is always advisable to dismantle the units following the installation steps, but in reverse.



Some residues of oil, glycoled water or similar solutions may remain in certain parts of the unit. These residues must be recovered and disposed of according to the procedures specified above.

It is very important to ensure that, while a component of the unit is being removed, all the others are properly supported.



Use only lifting means of adequate capacity.

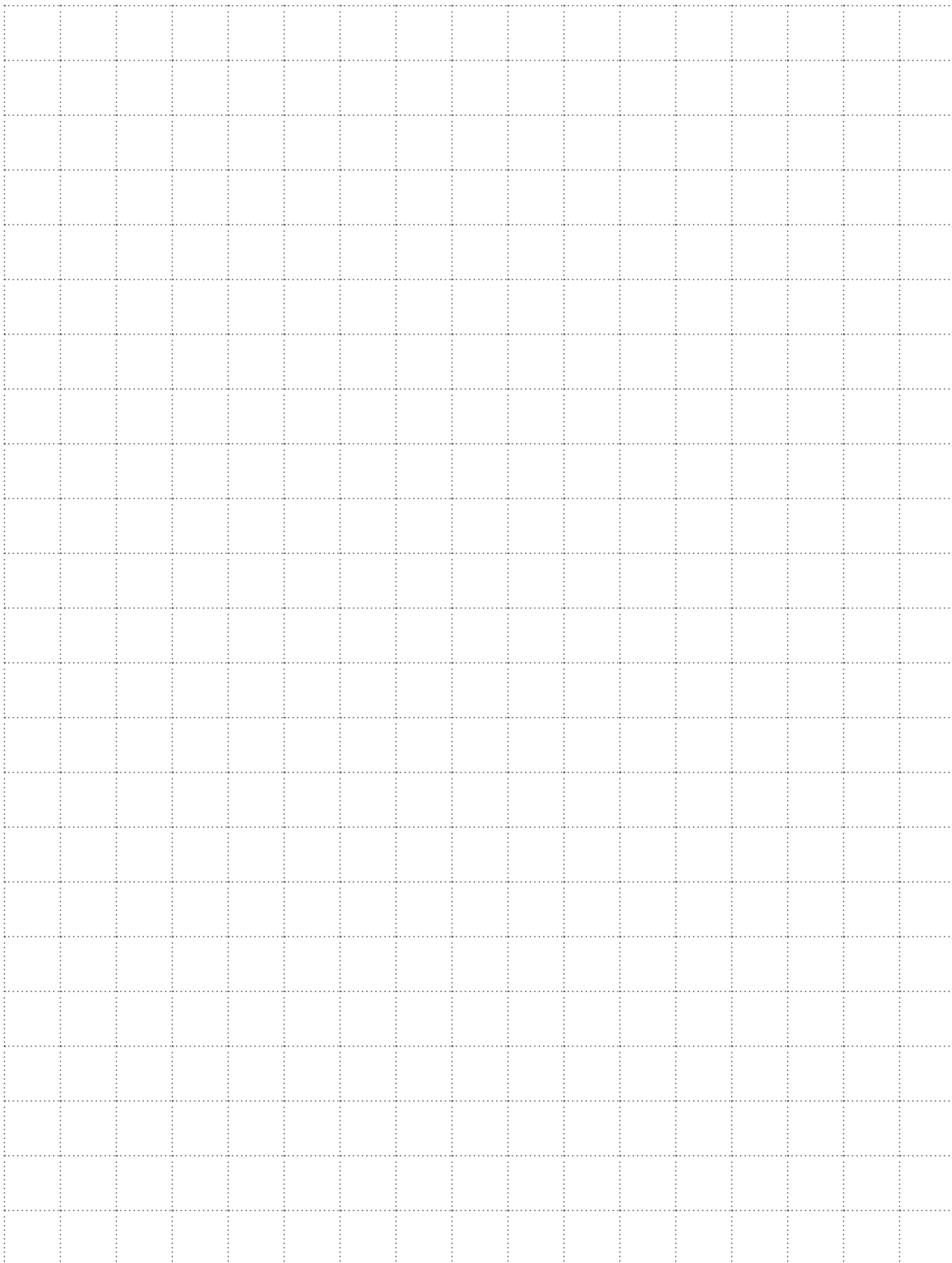
Once disassembled, the components of the unit can be disposed of in conformity with current regulations.

12.2 RAEE Directive (only UE)



- The RAEE Directive requires that the disposal and recycling of electrical and electronic equipment must be handled through a special collection, in appropriate centers, separate from that used for the disposal of mixed urban waste.
- The user has the obligation not to dispose of the equipment at the end of the useful life as municipal waste, but to send it to a special collection center.
- The units covered by the RAEE Directive are marked with the symbol shown above.
- The potential effects on the environment and human health are detailed in this manual.

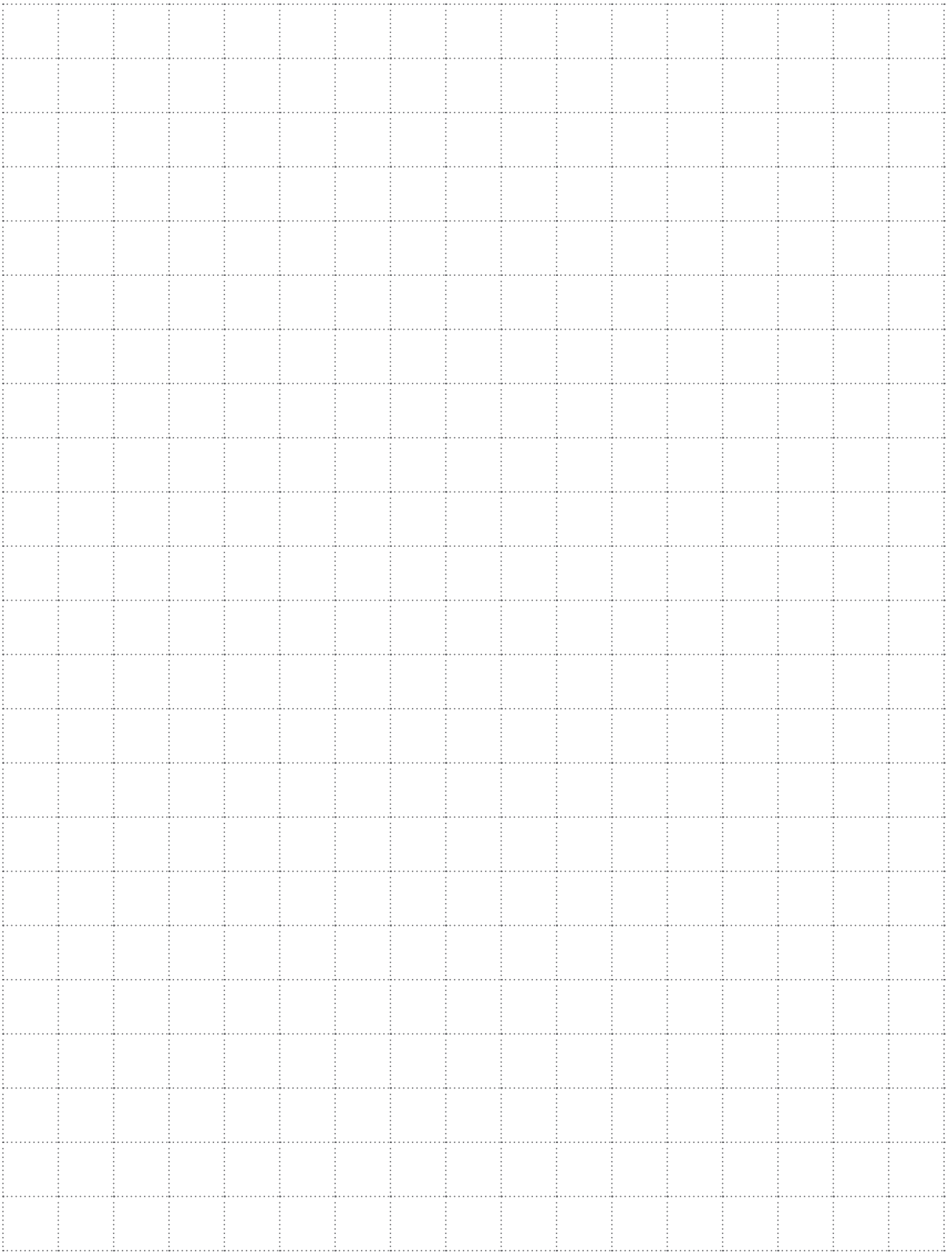
Notes



Notes

A large grid of dotted lines for writing notes, consisting of 20 columns and 30 rows.

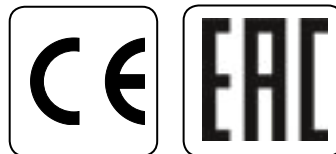
Notes



Systemair srl
Via XXV Aprile, 29
20825 Barlassina (MB)
Italy

Tel. +39 0362 680 1
Fax +39 0362 680 693

www.systemair.com



As part of our ongoing product improvement programme, our products are subject to change without prior notice. Non contractual photos.

Dans un souci d'amélioration constante, nos produits peuvent être modifiés sans préavis. Photos non contractuelles.

In dem Bemühen um ständige Verbesserung können unsere Erzeugnisse ohne vorherige Ankündigung geändert werden. Fotos nicht vertraglich bindend.

A causa della politica di continua miglioria posta in atto dal costruttore, questi prodotti sono soggetti a modifiche senza alcun obbligo di preavviso. Le foto pubblicate non danno luogo ad alcun vincolo contrattuale.

Con objeto de mejorar constantemente, nuestros productos pueden ser modificados sin previo aviso. Fotos no contractuales.

