

SysTemp **NEW**

Close Control
Engineering Data Manual



Key points

SySmart Control

Advanced electronic control system is conceived and designed to provide an energy savings and the optimized management of the entire unit. Thanks to the control via Modbus® Master protocol, all key components of the unit are continuously supervised, with over 50 different variables that ensure the real-time monitoring of all operating cycles. Integrated RS485 Modbus® card, BACnet™, Lon-Works® and SNMP gateway interfaces provide easy and quick interfacing with supervision systems and building management systems (BMS).

EC fans

State-of-the-art electronic fans allow very high performance levels to be achieved with minimum energy impact.

Energy valve

The chilled water units of the Systemair close control air conditioning range can be equipped with electronically controlled valves which allow the regulation and continuous monitoring of the water flow rate, inlet and outlet temperatures, and thus cooling capacity.

Electronic expansion valve

Electronic expansion valve maximizes the performance of direct expansion cooling circuits, especially under partialisation conditions, reduces the cooling circuit locking risk. By optimizing working conditions, it is possible to increase the cooling circuit energy efficiency by more than 40% compared to a system provided with a mechanical thermostatic expansion valve (TEV).

DC Compressors

DC compressors with inverter regulation, which allow the delivered cooling capacity to be varied, maximizing the motor performance and reducing energy consumption. Thanks to the inverter control system, the brushless DC

motor and the “High Pressure Shell” system, it is possible to ensure the system high functional efficiency, minimising the need to service the cooling circuit.

SysDrive

All direct expansion units are equipped with an innovative control system of the cooling circuit, which allows simplified management, easier maintenance and optimized operational safety. The advanced management system allows the display and monitoring of the operating conditions of the completely cooling cycle, from both the local display and the supervision systems as well as building management systems (BMS).

Smart Net

SysTemp range are equipped with an innovative control system in a local network (LAN) which allows them to be managed and serviced more easily while improving operational safety. Taking advantage of the modulation capabilities of its components, this system makes it possible to actively share the workload among all the units in the local network.

Free Cooling

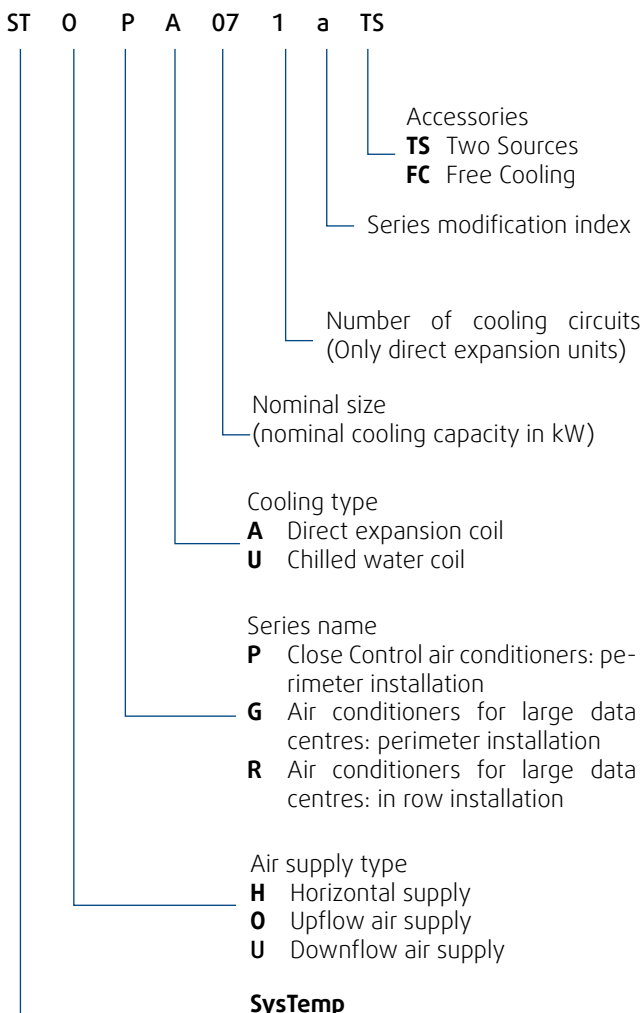
Innovative Free Cooling systems able to achieve energy saving of over 50% compared to a conventional air conditioner and to ensure high energy saving combined with the efficiency and reliability.

DualPower

Specific units are provided with two very independent cooling source DX and CW. The DualPower system is very flexible and allows three different types: the chilled water primary source, the direct expansion primary source, both source of the unit are chilled water coils.

Unit identification and specifications

Unit identification



General

The air conditioners have been specifically designed and manufactured for close control air conditioning where the handling almost exclusively sensible heat loads is a fundamental requirement.

The typical applications are computer rooms, digital telephone exchanges, switch rooms, weather stations, medical laboratories, CAT and MR scanners, as well as any other application where a sensible heat load must be dissipated without modifying the relative humidity.

The series, which can be either upflow or downflow, offers a large range of accessories and variations in design, allowing for maximum flexibility in the use of the units.

Cabinet and frame structure

The structure is made by aluminum profiles painted in anthracite colour RAL 7024. Panels are made by hot-galvanized sheet steel 1mm-thickness, painted in anthracite colour RAL 7024 too.

The insulation is high density, A1 class fire-resistance polyurethane sheets as per norm UNI/ISO 3795, self-extinguishing, protected by a plastic film out friction. The doors are fastened to the structure with hinges and safety access keys.

Valid for models:

- ST OPA/UPA 361-422-461-512-662-852-932
- ST OPU/UPU 80-110-160-220
- ST UGA 461-612-932
- ST UGU 70-150-230-300.

The structure is riveted monobloc made by hot-galvanized sheet steel of 1mm-thickness painted in anthracite colour RAL 7024. Thermal acoustic insulation system consisting of 23mm thickness for the sides panel and 12 or 20 mm for the back panel according to the unit model.

The insulation is high density, A1 class fire-resistance polyurethane sheets as per norm UNI/ISO 3795, self-extinguishing, protected by a plastic film out friction. The doors are fastened to the structure with hinges and safety access keys.

Valid for models:

- ST OPA/UPA 71-141-211-251-301-302
- ST OPU/UPU 10-20-30-50
- ST HRA 121-231-361
- ST HRU 20-40.

Supply fan section

Supply fan section composed of one or more EC electric brushless plug fans fixed to the structure of the machine.

Supply air plug fans are electronic commutated, backward blades made of fiberglass statically and dynamically balanced with electronic brushless motor, which allow very high performance levels to be achieved with minimum energy impact. Direct current brushless motor with external rotor coupled directly to electronic adjustment; this allows for continuous fan speed variation according to the control signal Modbus Master coming from the microprocessor of the machine. Maintenance-free ball bearings.

Motor Protection: IP 54 (according to EN 60529).

Airflow versions

- Up-flow unit has a front panel with air inlet grille and air discharge from the top
- Up-flow unit has a closed front panel, suction from the bottom and air discharge from the top
- Down-flow unit has a closed front panel, air inlet from the top and discharge from the bottom
- Frontal-flow unit has an air discharge from front panel with grille, air inlet from the top.

Filtering section

Self-extinguishing filtering surfaces high efficiency; 48 mm thick.

The filters are installed upstream of the cooling coil in an inclined position with an ample filtering surface. The low air speed crossing the coil assures a lower power consumption.

The filters are disposable. They cannot be regenerated or washed. The machine includes provision for the use of a differential pressure probe to allow display of the clogged filter-warning signal.

G4 Class Filters is standard (MERV8 Class)

Classification EN 779:2002

Flame resistance F1 – DIN 5343

Average filtering >90%

Efficiency 23-30%

DX circuit/s (standard execution)

The DX circuit/s include:

- Electronic expansion valve/s (EEV).
The electronic expansion valve (EEV), servo activated with a stepper motor laminates the refrigerant flow in modulating way using a pressure sensor and a temperature as its sensory components. Both sensors are applied on the refrigerant outlet from the evaporator and will be read and processed by a controller that calculates the optimal opening of the valve in real-time to guarantee the actual and appropriate required refrigerant flow to the evaporator.
- It is so granted the best refrigerant overheating
- Filter/s dryer with sight glass (moisture indicator)
- Oversized liquid receiver/s
- High pressure switch/es with manual reset
- Auto reset low-pressure managed by software
- Suction and discharge service valves on each circuit
- Check valves on the supply and liquid pipes.

The units are supplied with the circuit/s pressurized to 3 bar by nitrogen.

Free cooling and units with water-cooled condenser are supplied with the complete HFC R410a refrigerant charge.

Valid for units with direct expansion circuit only.

Compressors

Scroll hermetic compressors mounted on vibration isolators. The system includes a manual high-pressure reset switch; auto reset low-pressure managed by software.

The compressor of models 301-302-662-852 is positioned in a separate compartment out of the airflow. In all other units, the compressor is inside the airflow.

Valid for units direct expansion circuit only.

DX coil

The coil frame is made of hot dipped galvanized metal sheet with copper tubes expanded into aluminum fins. Valid for units with direct expansion circuit only.

Chilled water circuit

Standard equipped with 2 or 3 way valve, (ball valve), modulating actuator for controlling the water flow. Valid for units with chilled water circuit only.

Coil

The coil frame is made of hot dipped galvanized metal sheet with copper tubes expanded into aluminum fins. Valid for units with chilled water circuit only.

Drain pan

Condensate drain tray is made by 304 stainless steel, 1 mm-thickness.

Valid for models:

- ST OPA/UPA 361-422-461-512-662-852-932
- ST OPU/UPU 80-110-160-220
- ST UGA 461-612-932

- ST UGU 70-150-230-300.

For the units with monobloc structure the drain tray is made by galvanized steel of 1mm-thickness painted in anthracite colour RAL 7024.

Valid for models:

- ST OPA/UPA 071-141-211-251-301-302
- ST OPU/UPU 10-20-30-50
- ST HRA 121-231-361
- ST HRU 20-40.

Electrical panel

The machines are equipped with a complete electrical control panel with:

- A yellow/red main switch with door-locking function on the outside of the panel
- Protection of utilities against short-circuits and overloading (valid also as a standard for condensing temperature exceeding 55°C)
- Single-phase isolation transformer to power the auxiliary circuit at 24 Volt AC.

Microprocessor control system and user display

The user terminal is fitted with a graphic LCD single-color display (black with white LED back lighting) of 128 x 64 pixel, with 6-key pad (with pre-set functions), to view information on the units' control software. A remote control terminal is available.

A microprocessor-based control system with LED numerical display forecasts observation of the following values:

- Temperature set-point (read and write)
- Suction Temperature (read)
- Supply Temperature (read)
- Humidity set-point (read and write)
- Suction humidity (accessory)
- Supply humidity (accessory)
- Date and time.

The operating modes are shown on the display panel with dedicated icons.

Alarm condition are signalled with an audible and visual alarm.

The keyboard LEDs will indicate active alarm, power supply presence and unit conditions.

Alarms log

Unit memory records 100 recent alarms with time and date stamp for each alarm with LI-FO logic management.

Alarm monitor

The control system monitors unit operation and activate an audible and visual alarm in the event either of the following factories present alarm conditions occurs:

- High / Low temperature
- High / Low humidity
- Clogged filter
- Fan/s alarm
- Humidifier alarms
- Cooling circuits components alarm (for units with chilled

water circuit only)

- Water leakage under unit
- Power lost
- Sensors and probes alarms
- Fire/Smoke detection alarm, (customizable Digital Input). (Terminal Block for connection of an external smoke/fire alarm signal)

- Customizable digital outputs/input

- Customizable digital outputs

The microprocessor is able to control up to four digital outputs freely configurable by the user.

It is possible to configure one of the following types of control for each digital output:

- Water pump control
- Condensing unit control
- Unit status signal
- Cooling / heating status signal
- Humidification / dehumidification status signal
- Free cooling status signal
- General alarm signal
- Non-critical alarm signal
- Critical alarm signal
- Dirty filters alarm signal
- Cooling / heating alarm signal
- Fans alarm signal
- Temperature alarm signal
- Humidity alarm signal
- Flooding / condensate drain alarm signal.

Customizable digital input

The microprocessor is able to control up to four digital Inputs freely configurable by the user.

It is possible to configure one of the following types of controls for each digital input:

- Fire/Smoke Alarm
- General water pump alarm
- External humidifier general alarm
- General supply fans alarm
- Condenser 1 and 2 general alarm
- Dry cooler general alarm
- Gas leak detector alarm
- Condensing unit generic alarm
- Non-critical generic alarm
- Critical generic alarm
- STOP cooling, heating, humidification, dehumidification, heating & humidification, cooling & heating & humidification, free cooling
- Free cooling override
- 2nd Source two sources override.

Total run hours

Menu displays accumulative components operating hours for major components including compressors, fan motor, humidifier and reheat.

Auto restart system

The units will automatically restart after a power loss, providing a power supply failure alarm as signaling.

Temperature and humidity recorder

A daily and weekly graphics charts of the temperature and humidity, (if the humidity sensor is installed), detected every two hours are displayed on the display panel.

Temperature and humidity probe

Temperature range -10...60 °C NTC - accuracy +/-0,9°C

Humidity range 10...90% - accuracy U.R ±0,5% (suitable for remote installation).

Supply limit temperature probe

To control the temperature limit of the system with activated adjustment of the components to prevent the alarm thresholds from being exceeded.

Sensor calibration

Menu allows unit sensors to be calibrated by using external sensors as reference.

System/Network setup

Local network can manage up to 12 units.

Available network logic: Duty/Stand-By or Smart net.

Temperature control type

It is possible to select the following type of control:

- P (proportional)
- PI (proportional integral)
- PID (proportional integral and derivative).

SysDrive management system

It allows the user to monitor the following values reading of the cooling cycle as:

- Evaporating pressure and temperature
- Condensing pressure and temperature
- Superheat
- DE superheat
- Sub cooling
- Compressor discharge temperature

Valid for units direct expansion circuit only.

Supervision and RS 485 card for remote communication**Supervision**

It is possible to monitor and control every operative aspect of the system, via a supervision system or BMS (Building Management System).

The unit has the Modbus output connection as standard protocol. Up to 12 units can be connected to one gateway. Gateway can be supplied with the units. (Accessory)

The Gateway is required for LONWORKS, BACNET, SNMP interface.

Supported Protocols Different from the Standard MODBUS RTU

WEB/GSM (web server)

Consisting in an electronic interface for connection to control systems communication via Internet and for sending alarm SMS via GSM modem. The supervisor software is included in the gateway system.

LONWORKS communication gateway

Consisting in an electronic interface for connection to control systems by Lonworks communication protocol. The units have to be controlled by supervisory software developed by the manufacturer or third parties.

BACNET MS/TP gateway

Consisting in an electronic interface for connection to control systems by Bacnet MS/TP communication protocol. The units have to be controlled by supervisory software developed by the manufacturer or third parties.

BACNET IP gateway

Consisting in an electronic interface for connection to control systems by Bacnet IP communication protocol. The units have to be controlled by supervisory software developed by the manufacturer or third parties.

SNMP gateway

Consisting in an electronic interface for connection to control systems by SNMP communication protocol. The units have to be controlled by supervisory software developed by the manufacturer or third parties.

MODBUS IP gateway

Consisting in an electronic interface for connection to control systems by MODBUS IP communication protocol. The units have to be controlled by supervisory software developed by the manufacturer or third parties.

Available close control accessories

Inverter on the compressor

DC brushless technology, driven by frequency driver (inverter), mounted on vibration isolators. The system includes a manual high-pressure reset switch; auto reset low-pressure managed by software. Valid for units direct expansion circuit only.

Energy valve system

Equipped with 2 way valve (ball valve), in/out water temperature sensor and water flow meter for controlling water flow through the coil and calculating the total cooling capacity and the EER viewable on the unit display. Valid for units chilled water circuit only.

Air filter F7 class filters (MERV13 Class)

Classification EN 779:2012

Flame resistance F1 – DIN 5343

Average arrestance >95%

Efficiency 80-90%

Air filter M5 class filters (MERV10 Class)

Classification EN 779:2002

Flame resistance F1 – DIN 5343

Average arrestance >95%

Efficiency 40-60%

Electric reheat coils

It consists of a low-thermal inertia electrical heater up to 3 stages, with its contactor and safety switch to prevent overheating.

The heating material is NIKROTHAL 40

Other components present in small parts are C, Mn and Fe.

% Chemical Composition: Si: 1.6 – 2.5, Cr: 18 – 21, Ni: 34 – 37.

Humidifier system

Immersed Electrode modulating humidifier consists in an immersed electrode humidifier complete with water filling valve, drain valve and piping. Steel distribution nozzle and circuit board for control and management of general operation and alarm detection.

Condensate pump system

It consists in an electric condensate drain pump supplied pre-installed and connected to the condensate drain tray and humidifier drain. It is ETL labelled. The ETL Mark is proof of product compliance to North American safety standards.

High temperature and smoke detection sensors

FIRE/SMOKE detection alarm consists terminal blocks, (customizable digital input), and sensors to detect smoke and high temperature which will have the unit switched off in event of fire alarm.

Water leak detector

Consisting in a flood detection probe supplied with the appliance and an electronic detection board with a water detection alarm voltage-free contact. Additional probes are available.

Discharge air shut-off damper

Consisting in an air flow shut-off motorised damper installed on the air supply with an ON-OFF motor installed on the air intake. Gravitational damper in up-flow air discharge.

Air distribution system and support devices

- **Discharge air plenum with FRONT / REAR grille**

Consists of a structure made of hot-galvanised metal sheet and a frame made of aluminium profiles, painted in anthracite colour, high up to a 550 mm. The structure is internally insulated by have a thermal acoustic insulation, consisting of 23 mm-thickness, high density, self-extinguishing, fire-resistance polyurethane sheets as per norm UNI/ISO 3795, protected by a plastic friction-proof superficial film. A distribution system with a frontal aluminium grille is provided.

The plenum is suitable to be positioned over or under the unit, the height of the plenum of the OPA/UPA 71/141 and OPU/UPU 10/20 is 450 mm.

- **Discharge plenum with front and two sides air discharge**

Consists of a structure made of hot-galvanised metal sheet and a frame made of aluminium profiles, painted in anthracite colour, high up to a 550 mm. The structure is internally insulated by have a thermal acoustic insulation, consisting of 23 mm-thick, high density, self-extinguishing fire-resistance polyurethane sheets as per norm UNI/ISO 3795, protected by a plastic friction-proof superficial film. A distribution system with a frontal and two side grilles is provided. The height of the plenum of the OPA/UPA 71/141 and OPU/UPU 10/20 is up to 450 mm.

- **Free-cooling air plenum with modulating dampers**

Consists of a structure made of hot-galvanised metal sheet and a frame made of aluminium profiles, painted in anthracite colour, high up to a 900 mm. The structure is internally insulated by have a thermal acoustic insulation, consisting of 23 mm-thickness, high density, self-extinguishing, fire-resistance polyurethane sheets as per norm UNI/ISO 3795, protected by a plastic friction-proof superficial film.

A couple of shut-off motorised dampers equipped with a modulating motor are installed on the air plenum to provide free-cooling function mixing indoor and outdoor air. The plenum is suitable to be positioned over or under the UP units. The height of the plenum for UP series / sizes 071/141 is 580 mm, height for UP series / sizes from 211 to 932 is 850 mm, height for UG series is 900 mm.

Floor stand

Adjustable Under base (height up to 600mm) made of hot-galvanised tubular metal structure with relevant feet. The under-base comes demounted in a package with the installation manual.

Protected line and air condenser regulator

Consisting in an electrical line protected from overload and short-circuits and a FSC, single-phase fan speed control, with phase cutting regulation for air condenser fan regulation to maintain a constant condensing temperature, or EC fan speed control by 0-10 signal.

Valid for units with direct expansion circuit only.

Plate water condenser

- Consisting in a galvanised steel plate water condenser sized for water supplied from a dry-cooler or another external water font.

Two-Way water flow adjustment pressure controlled valve. Consisting in a two-way ball valve for constant condensing control by 0-10V signal from microprocessor, and a water condenser installed.

Valid for units with direct expansion circuit only.

Extremely low external temperature kit

Consisting in a LAC valve, in addition to a non-return valve installed on discharge pipe and an oversize liquid receiver (already included in the standard delivery) for units to be installed in extremely cold climates.

Valid for units with direct expansion circuit only.

Technical and testing documentation

The unit are supplied with the technical documentation required by current international reference regulations regarding correct construction and production of the unit, such as: complete wiring diagram, declaration of conformity.

Technical manuals enclosed in an USB pen drive.

Unit testing

The units are provided after having been tested by the manufacturer. The testing procedure includes a leak test by pressurisation with dry air at 30 Bars for 48 hours of the cooling circuit, an electrical safety test in accordance with the applicable regulation and a functional unit test with settings being implemented on the microprocessor, all the components installed and any accessories supplied.

Air cooled condenser and dry cooler

- Versions for horizontal and vertical installation and with V-shaped structure.
- Turbocoil heat exchangers made of hot dipped galvanized metal sheet with copper tubes expanded into aluminum fins
- Casing made of galvanised steel, powder coated Epoxy-Polyester RAL 9003 resistant to corrosion
- High-efficiency, low-consumption motors, statically and dynamically balanced, with permanently greased bearings, in-built overheat protection and integrated protection grilles
- Valid for units with direct expansion circuit only.

Available air-cooled condenser and dry cooler accessories

- Latest generation EC fans for high-energy savings, reduced noise levels and better regulation of the number of revolutions
- Fins coated with ALUPAINT for better aluminum corrosion protection. (ACC only)
- Configuration with multiple circuits or sub cooling circuits

TMC H/V - Horizontal (horizontal installation) and Vertical (vertical installation) series

Horizontal installation



Vertical installation





SystemTemp P

The P Series close control air conditioners have constructional and operating characteristics suitable for environments where thermal loads of a sensitive nature prevail.

Although optimised for data centers, the technical characteristics of the P series make these units suitable for various types of special applications, such as metrology laboratories, TV production studios, recording and conservation rooms for musical instruments, museums and archives, control rooms in power stations and railway junctions.

In addition, their application proves ideal for various industrial sectors: optics, electronics, electromedical equipment, production of electrical or electronic equipment, production of musical instruments, etc.

P series air conditioners offer:

- Temperature and humidity close control.
- A high delivered cooling capacity to footprint ratio, which makes it easier to design the environments to be air conditioned.
- Very high values of energy efficiency, which translate into lower CO₂ emissions into the environment, and in particularly low operating costs.
- High flexibility of use, thanks to the wide range of accessories which can be selected.

Technical feature

- Very high EER (Energy Efficiency Ratio)
- Limited footprint
- Dark gray RAL 7024 metal structure
- Panels with thermo-acoustic insulation
- Electrical panel complete with control and safety devices
- **SySmart** control microprocessor with graphic display
- G4-class efficiency air filters with dirty filter alert
- Return air temperature sensor
- Supply air temperature sensor
- Electronic **EC fans**
- R410A scroll compressors
- Electronic expansion valves with **SysDrive** system
- Three-way control valves
- Unit shutdown system for the presence of fire
- RS485 Modbus® RTU slave card



Air Conditioners with downflow air supply



Standard version with top air intake and downflow air supply, with stand for raised floors.



Version with top air intake and front air supply through air distribution plenum with adjustable grilles.



Version with top air intake and front air supply through front panel.

ST UPA: Direct expansion air conditioners with downflow air supply and aircooled or watercooled condensers

ST UPA		71	141	211	251	301	302	361	422	461	512	662	852	932
Performance														
Total cooling capacity (1)	kW	7,8	14,8	21,4	26,4	33,2	31,1	37,9	43,7	47,9	54,7	68,2	85,9	94,2
Sensible cooling capacity	kW	7,5	13,6	21,4	25,7	32,0	31,1	37,9	43,7	47,4	53,0	65,2	73,0	85,4
EER (2)		3,68	3,34	3,30	3,25	3,08	3,24	3,42	3,36	3,50	3,35	3,15	3,20	3,58
Air flow rate	m ³ /h	2.200	3.200	7.000	7.000	8.700	8.700	14.500	14.500	14.500	14.500	17.900	17.900	20.700
Noise level (3)	dB(A)	51	57	57	58	62	61	60	60	60	60	63	64	62
Dimensions and weights														
Width	mm	750	750	860	860	1.410	1.410	1.750	1.750	1.750	1.750	2.300	2.300	2.640
Depth	mm	601	601	880	880	880	880	880	880	880	880	880	880	880
Height	mm	1.990	1.990	1.990	1.990	1.990	1.990	1.990	1.990	1.990	1.990	1.990	1.990	1.990
Net weight	kg	150	205	260	285	360	385	440	485	450	500	640	660	860
Free Cooling		○	○	○	○	●	●	○	○	○	○	●	●	○
Two Sources		○	○	●	○	●	●	○	○	○	○	●	●	○

ST UPU: Chilled water air conditioners with downflow air supply

ST UPU		10	20	30	50	80	110	160	220
Performance									
Total cooling capacity (1)	kW	10,1	18,2	32,4	43,6	66,8	80,2	121,9	160,3
Sensible cooling capacity	kW	9,4	15,7	29,8	38,1	62,1	72,0	109,7	144,0
EER (2)		30,6	26,0	25,1	20,8	25,0	23,1	22,2	23,1
Air flow rate	m ³ /h	2.200	3.200	7.400	8.200	15.400	17.000	26.000	34.000
Noise level (3)	dB(A)	51	57	59	63	61	62	65	65
Dimensions and weights									
Width	mm	750	750	860	860	1.750	1.750	2.640	3.495
Depth	mm	601	601	880	880	880	880	880	880
Height	mm	1.990	1.990	1.990	1.990	1.990	1.990	1.990	1.990
Net weight	kg	115	160	225	240	340	360	540	700
Two Sources		○	○	○	●	○	●	●	○

Notes:

- (1) Performance refers to: R410A refrigerant; condensing temperature 45°C; incoming air 24°C-45%Rh; water 7/12°C; external static pressure 30 Pa. The declared performance does not take into account the heat generated by fans, which must be added to the system thermal load.
- (2) EER (Energy Efficiency Ratio) = total cooling capacity / compressors power consumption + fans power consumption (air cooled condensers excluded).
- (3) Sound levels at a 2 m distance, in a free field, as per UNI EN ISO 3744:2010.

Air Conditioners with upflow air supply



Standard version with front air intake and upflow air supply.



Version with front air intake and supply, through air distribution plenum with adjustable grilles.



Version with air intake from the bottom, stand for raised floor, blind front panel and upflow air supply.

ST OPA: Direct expansion air conditioners with upflow air supply and aircooled or watercooled condensers

ST OPA		71	141	211	251	301	302	361	422	461	512	662	852	932
Performance														
Total cooling capacity (1)	kW	7,8	14,8	21,4	26,4	33,2	31,1	37,9	43,7	47,9	54,7	68,2	85,9	94,2
Sensible cooling capacity	kW	7,5	13,6	21,4	25,7	32,0	31,1	37,9	43,7	47,4	53,0	65,2	73,0	85,4
EER (2)		3,77	3,46	3,37	3,29	3,18	3,35	3,50	3,42	3,57	3,40	3,26	3,29	3,63
Air flow rate	m ³ /h	2.200	3.200	7.000	7.000	8.700	8.700	14.500	14.500	14.500	14.500	17.900	17.900	20.700
Noise level (3)	dB(A)	51	57	56	57	60	59	59	59	59	59	62	62	61
Dimensions and weights														
Width	mm	750	750	860	860	1.410	1.410	1.750	1.750	1.750	1.750	2.300	2.300	2.640
Depth	mm	601	601	880	880	880	880	880	880	880	880	880	880	880
Height	mm	1.990	1.990	1.990	1.990	1.990	1.990	1.990	1.990	1.990	1.990	1.990	1.990	1.990
Net weight	kg	150	205	260	285	360	385	440	485	450	500	640	660	860
Free Cooling		o	o	o	o	•	•	o	o	o	o	•	•	o
Two Sources		o	o	•	o	•	•	o	o	o	o	•	•	o

ST OPU: Chilled water air conditioners with upflow air supply

ST OPU		10	20	30	50	80	110	160	220
Performance									
Total cooling capacity (1)	kW	10,1	18,2	32,4	43,6	66,8	80,2	121,9	160,3
Sensible cooling capacity	kW	9,4	15,7	29,8	38,1	62,1	72,0	109,7	144,0
EER (2)		36,0	33,0	28,0	24,4	27,8	28,0	27,1	28,0
Air flow rate	m ³ /h	2200	3200	7400	8200	15400	17000	26000	34000
Noise level (3)	dB(A)	51	57	58	61	60	61	63	64
Dimensions and weights									
Width	mm	750	750	860	860	1750	1750	2640	3495
Depth	mm	601	601	880	880	880	880	880	880
Height	mm	1990	1990	1990	1990	1990	1990	1990	1990
Net weight	kg	115	160	225	240	340	360	540	700
Two Sources		o	o	o	•	o	•	•	o

Notes:

- (1) Performance refers to: R410A refrigerant; condensing temperature 45°C; incoming air 24°C-45%Rh; water 7/12°C; external static pressure 30 Pa. The declared performance does not take into account the heat generated by fans, which must be added to the system thermal load.
- (2) EER (Energy Efficiency Ratio) = total cooling capacity / compressors power consumption + fans power consumption (air cooled condensers excluded).
- (3) Sound levels at a 2 m distance, in a free field, as per UNI EN ISO 3744:2010.

Available accessories

Direct expansion:

- Brushless **DC compressors** with inverter regulation and integrated oil separator
- Power supply line for remote condenser
- Power supply line with speed regulator for remote condenser
- Condensing regulation with 0-10V signal for remote condenser with **EC fans**
- LT Kit for operation with low temperature outside air with remote condenser
- Water-cooled condenser
- Water-cooled condenser with a condensing temperature control valve

Chilled water:

- Two-way control valves
- Inlet and outlet water temperature sensors
- **Energy valve** kit

Heating:

- Low thermal inertia electric heaters with stage control
- Low thermal inertia electric heaters with modulating control (available on request on selected models only)
- Hot water heating coils with 2- or 3-way control valve (available on request on selected models only)

Humidification:

- Room humidity probe
- Supply humidity probe
- Immersed electrodes humidifier

Mechanical and structural:

- Condensate drain pump
- Condensate and humidifier drain pump
- Supply overpressure relief damper
- F7 efficiency class intake air filter (EU7)
- M5 efficiency class intake air filter (EU5)
- Soundproofed duct section on the supply line
- Distribution plenum with adjustable grilles
- Free-cooling air plenum with modulating dampers (UPA series only)
- Height adjustable stand for installation with raised floor
- Grilled panels for front supply
- Closed panels for air intake from the bottom
- Panels with sandwich counter panelling (available on request on request on selected models only)
- Panels with reinforced acoustic lining (available on request on request on selected models only)

Electrical:

- Alternative voltages available: 460V/3ph/60Hz - 380V/3ph/60Hz - 230V/3ph/60Hz
- Electrical supply line without neutral
- Automatic transfer switch (ATS), Basic version
- Automatic transfer switch (ATS), Advanced version

Regulation:

- Constant air flow control
- Constant pressure control
- Local network set up and connection cable
- User terminal for remote installation
- Flooding detection system

SystemTemp G

G series close control air conditioners have constructional and operating characteristics suitable for meeting the design criteria of the latest generation data centers.

When designing air conditioning systems for large data centers, the need for electrical cable housing and the enormous air volumes required to cool down the servers have made it essential to increase the height of raised floors up to the current 550/1,000-millimetre level. A large space below the air conditioner for the installation of an adjustable stand has thus created. It was therefore decided to use this large space to house supply fans.

Without increasing the footprint of the machine, and only exploiting space where it is provided, great advantages have been obtained:

- With the same air conditioner footprint, it has been possible to increase the front section of the coil by about 40-50% by reducing the pressure drop on the air side, and thus the fan energy consumption.
- Increasing the size of the air filters installed upstream of the cold coil allows a significant reduction in load losses and replacement frequency for maintenance.
- Increased efficiency of the fans which, installed in the stand, expel treated air horizontally and completely unobstructedly.

Technical feature

- Very high EER (Energy Efficiency Ratio)
- Limited footprint
- Dark gray RAL 7024 metal structure
- Panels with thermo-acoustic insulation
- Electrical panel complete with control and safety devices
- **SySmart** control microprocessor with graphic display
- G4-class efficiency air filters with dirty filter alert
- Return air temperature sensor
- Supply air temperature sensor
- Electronic **EC fans**
- R410A scroll compressors
- Electronic expansion valves with **SysDrive** system
- Two-way control valves
- Unit shutdown system for the presence of fire
- RS485 Modbus® RTU slave card



Air Conditioners with downflow air supply



Standard version for data center perimetral installation: the height of the raised floor must be at least 550 mm.



Standard version for data center perimetral installation with raised floor height less than 550 mm. In this case the stand, having a fixed height of 550 mm provided with side closing panels, must be installed above the floor. However, please make sure that the ceiling height allows good air intake.



Version for installation outside the data center, with no raised floor and rear supply line. In this case the stand, having a fixed height of 550 mm, is provided with side closing panels and rear supply grilles. The installation of a plenum with a rear air intake system is optional, in the absence of a duct system.

ST UGA: Direct expansion air conditioners with downflow air supply and aircooled or water cooled condensers

ST UGA		461	612	932
Performance				
Total cooling capacity (1)	kW	49,3	62,2	103,8
Sensible cooling capacity (1)	kW	48,2	54,8	103,8
EER (2)		3,87	3,25	4,07
Air flow rate	m ³ /h	9.500	10.000	19.000
Noise level (3)	dB(A)	57	58	59
Dimensions and weights				
Width	mm	1.490	1.490	2.390
Depth	mm	921	921	921
Height	mm	1.990+550		
Net weight	kg	500	500	720

ST UGU: Chilled water air conditioners with downflow air supply

ST UGU		70	150	230	300
Performance					
Total cooling capacity (1)	kW	43,3	85,1	124,4	170,2
Sensible cooling capacity (1)	kW	43,3	85,1	124,4	170,2
EER (2)		31,12	32,48	34,65	39,13
Air flow rate	m ³ /h	9.500	19.000	28.500	38.000
Noise level (3)	dB(A)	57	59	61	60
Dimensions and weights					
Width	mm	1.320	2.220	3.120	4.020
Depth	mm	921	921	921	921
Height	mm	1.990+550			
Net weight	kg	400	620	930	1.250

Notes:

- (1) Performance refers to: R410A refrigerant; condensing temperature 45°C; incoming air 32°C-30%Rh; water 15/20°C; external static pressure 30 Pa, ventilated plenum, height 1000 mm. The declared performance does not take into account the heat generated by fans, which must be added to the system thermal load.
- (2) EER (Energy Efficiency Ratio) = total cooling capacity / compressors power consumption + fans power consumption (air cooled condensers excluded).
- (3) Sound levels at a 2 m distance, in a free field, as per UNI EN ISO 3744:2010.

Available accessories

Direct expansion:

- Brushless **DC compressors** with inverter regulation and integrated oil separator
- Power supply line for remote condenser
- Power supply line with speed regulator for remote condenser
- Condensing regulation with 0-10V signal for remote condenser with **EC fans**
- LT kit for operation with low temperature outside air with remote condenser
- Water-cooled condenser
- Water-cooled condenser with a condensing temperature control valve

Chilled water:

- Three-way control valves
- Inlet and outlet water temperature sensors
- **Energy valve** kit

Heating:

- Low thermal inertia electric heaters with stage control
- Low thermal inertia electric heaters with modulating control (available on request on selected models only)
- Hot water heating coils with 2- or 3-way control valve (available on request on selected models only)

Humidification:

- Room humidity probe
- Supply humidity probe
- Immersed electrodes humidifier

Mechanical and structural:

- Condensate drain pump
- Condensate and humidifier drain pump
- Supply overpressure relief damper
- M5 efficiency class intake air filter (EU5)
- Front or rear intake plenum
- Free-cooling air plenum with modulating dampers (UGA series only)
- Ventilated stand with panelling for front or rear supply
- Ventilated stand with panelling for bottom supply (installation on the raised floor)
- Panels with sandwich counter-panelling
- Panels with reinforced acoustic lining

Electrical:

- Alternative voltages available: 460V/3ph/60Hz - 380V/3ph/60Hz - 230V/3ph/60Hz
- Electrical supply line without neutral
- Automatic transfer switch (ATS), Basic version
- Automatic transfer switch (ATS), Advanced version

Regulation:

- Constant air flow control
- Constant pressure control
- Local network set up and connection cable
- User terminal for remote installation
- Flooding detection system



SystemTemp R

R series close control air conditioners are built and sized in such a way that they can be installed alongside data center racks. In air conditioning systems for large data centers, the adoption of the following design concepts has in fact become an established custom:

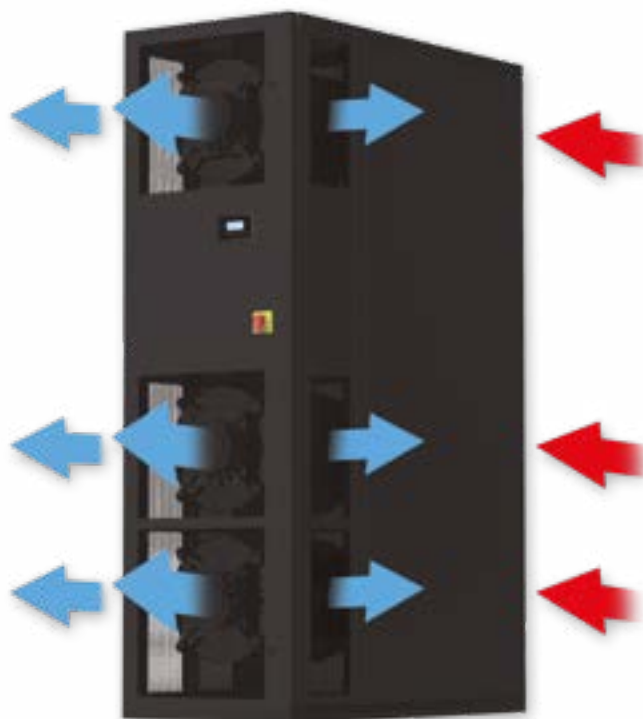
- The racks containing servers are increasingly positioned according to the Hot Aisle and Cold Aisle layout.
- Air temperatures are allowed to rise up to 30-35°C in the hot aisle and 20-25°C in the cold one, with very low humidity (never above 30%).
- Server performance is increasingly on the rise, while server sizes are increasingly reduced. As a result, many more servers can be installed in a rack, so some of these racks can be eliminated as they are empty. At the same time, heat dissipation increases, thereby requiring more power from air conditioners. R series air conditioners are designed and built so as to fit into this plant layout perfectly. As a matter of fact:
 - They exploit the space left free from racks and allow cold air to be distributed as close as possible to servers, that is, where heat is generated.
 - They feature rear intake from the hot aisle and front supply to the cold aisle with a horizontal flow. The horizontal flow reduces internal pressure drop, with a consequent reduction in the power draw of the fan.

Technical feature

- Very high EER (Energy Efficiency Ratio)
- Limited footprint
- Dark gray RAL 7024 metal structure
- Panels with thermo-acoustic insulation
- Front and rear accessibility for easy maintenance
- Cooling, electric and water top/bottom connections
- Electrical panel complete with control and safety devices
- **SySmart** control microprocessor with graphic display
- G4-class efficiency air filters with dirty filter alert
- Return air temperature sensor
- Supply air temperature sensor
- Electronic **EC fans**
- Brushless DC compressors with R410A inverter regulation
- Electronic expansion valves with **SysDrive** system
- Three-way control valves
- Unit shutdown system for the presence of fire
- RS485 Modbus® RTU slave car



Air Conditioners with horizontal air supply



Version for "in row" installation with front and side air supply

ST HRA: Direct expansion air conditioners with horizontal supply

ST HRA		121	231	361
Performance				
Total cooling capacity (1)	kW	8,6	19,6	31,4
Sensible cooling capacity	kW	8,5	16,4	25,7
EER(2)		2,92	3,19	3,32
Air flow rate	m ³ /h	3.000	6.000	6.800
Noise level (3)	dB(A)	50	52	54
Dimensions and weights				
Width	mm	300	600	600
Depth	mm	1.200	1.222	1.222
Height	mm	1.970	1.985	1.985
Net weight	kg	190	215	215
Free Cooling		○	●	○

ST HRU: Chilled water air conditioners with horizontal supply

ST HRU		20	40
Performance			
Total cooling capacity (1)	kW	21,2	31,6
Sensible cooling capacity	kW	21,2	31,6
EER(2)		16,0	25,7
Air flow rate	m ³ /h	6.000	9.000
Noise level (3)	dB(A)	56	61
Dimensions and weights			
Width	mm	300	600
Depth	mm	1.200	1.222
Height	mm	1.970	1.985
Net weight	kg	120	190
Two Sources		○	●

Notes:

(1) Performance refers to: R410a refrigerant; condensing temperature 45°C; incoming air 32°C-30%Rh; water 15/20°C; external static pressure 30 Pa. The declared performance does not take into account the heat generated by fans, which must be added to the system thermal load.

(2) EER (Energy Efficiency Ratio) = total cooling capacity / compressors power consumption + fans power consumption (air cooled condensers excluded).

(3) Sound levels at a 2 m distance, in a free field, as per UNI EN ISO 3744:2010.

Available accessories

Direct expansion:

- Power supply line for remote condenser
- Power supply line with speed regulator for remote condenser
- Condensing regulation with 0-10V signal for remote condenser with **EC fans**
- LT Kit for operation with low temperature outside air with remote condenser
- Water-cooled condenser
- Water-cooled condenser with a condensing temperature control valve

Chilled water:

- Two-way control valves
- Inlet and outlet water temperature sensors

Heating:

- Low thermal inertia electric heaters with stage control

Humidification:

- Room humidity probe
- Supply humidity probe
- Immersed electrodes humidifier

Mechanical and structural:

- Condensate drain pump
- M5 efficiency class intake air filter (EU5)
- Closed front panel for side supply
- Closed side panels for front supply
- Wheels for handling

Electrical:

- Alternative voltages available 460V/3ph/60Hz - 380V/3ph/60Hz - 230V/3ph/60Hz
- Electrical supply line without neutral
- Automatic transfer switch (ATS), Basic version
- Automatic transfer switch (ATS), Advanced version

Regulation:

- Constant air flow control
- Constant pressure control
- Local network set up and connection cable
- User terminal for remote installation
- Flooding detection system

TMC

Remote condensers and dry coolers for Close Control units.

Technical features

- Versions for horizontal and vertical installation and with V-shaped structure.
- Turbocoil heat exchangers made of hot dipped galvanized metal sheet with copper tubes expanded into aluminum fins
- Casing made of galvanised steel, powder coated Epoxy-Polyester RAL 9003 resistant to corrosion
- High-efficiency, low-consumption motors, statically bearings, in-built overheat protection and integrated protection grilles
- Valid for units direct expansion circuit only.

Accessories

- Latest generation EC fans for high-energy savings, reduced noise levels and better regulation of the number of revolutions
- Fins coated with ALUPAINT® for a better aluminum corrosion protection (ACC only)
- Configuration with multiple circuits or sub cooling circuits
- Vibration-damping kits
- Electrical panel complete with control, safety devices and fans wiring
- The Whisperer silencers
- Dry and Spray system Water Spray System.



Main technical data

Operating range Air Conditioners

Type		Direct Expansion	Chilled Water
Maximum Temperature (Air infeed)	°C	40	40
Minimum Temperature (Air infeed)	°C	20	18
Minimum Humidity (Air infeed)	%	60	60
Maximum Humidity (Air infeed)	%	25	25
Storage Conditions	°C	Temperature from -20°C to + 45°C - Humidity 10%Ur to 90 %Ur non condensing – Store in a room that is closed and protected from external atmospheric agents.	

Operating limit TMC Air Cooled Condenser

Type		Air infeed temperature
Maximum Temperature	°C	55
Minimum Temperature	°C	-40
Storage Conditions	°C	Temperature from -20°C to + 45°C - Humidity 10%Ur to 90 %Ur non condensing – Store in a room that is closed and protected from external atmospheric agents.

Chemical characteristics of the water supply

Type		Min	Max
Hydrogen ion activity	pH	7	8,5
Specific conductivity at 20 °C	µS/cm	350	750

Notes: More information you can find in an installation manual.

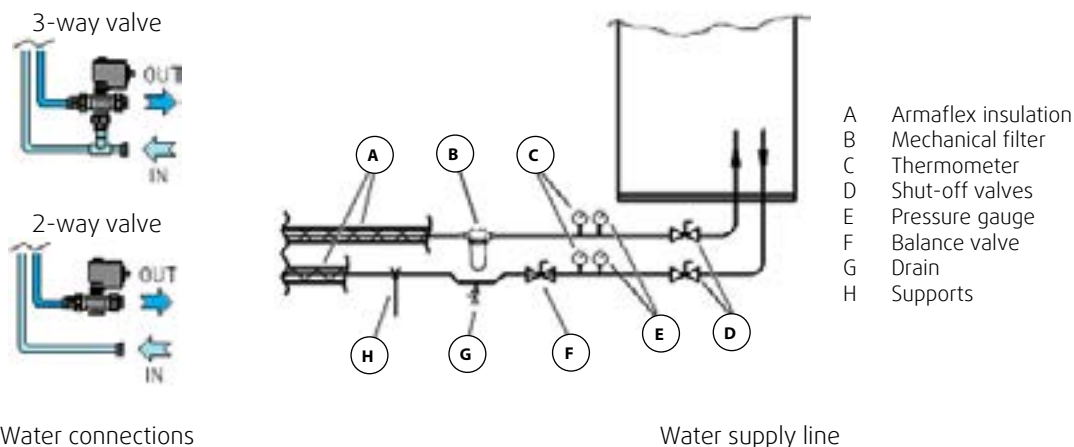
Water circuits

Type		Chilled Water	Hot Water	Internal Humidifier	Plate Condenser
Maximum Pressure	bar (MPa)	16 (1.6)	16 (1.6)	8 (0.8)	16 (1.6)
Minimum Pressure	bar (MPa)	-	-	1 (0.1)	1 (0.1)
Maximum adjustment valve ΔP	bar (kPa)	2.5 (250)	2.5 (250)	-	2.5 (250)
Maximum Temperature	°C	-	85	40	45
Minimum Temperature	°C	5	-	5	-10

Electrical data

Characteristics of the standard unit supply line				
Type	%	Nominal	Minimum	Maximum
400 V – 3 phase – 50 Hz				
Voltage tolerance limits:	± 15%	400 V	340 V	460 V
Difference of voltage between the phases	± 2%	0 V	- 8 V	+ 8 V
Frequency tolerance	± 2%	50 Hz	49 Hz	51 Hz
460 V – 3 phase – 60 Hz				
Voltage tolerance limits:	± 15%	460 V	391 V	529 V
Difference of voltage between the phases	± 2%	0 V	- 8 V	+ 8 V
Frequency tolerance	± 2%	60 Hz	58.8 Hz	61.2 Hz
380 V – 3 phase – 60 Hz				
Voltage tolerance limits:	± 15%	380 V	323 V	437 V
Difference of voltage between the phases	± 2%	0 V	- 7.6 V	+ 7.6 V
Frequency tolerance	± 2%	60 Hz	58.8 Hz	61.2 Hz

Water circuit connections



Water connections

Water supply line

Cooled water coil connection

Standard models		Dimensions Ø (Inches)	
		Inlet	Outlet
ST OPU ST UPU	10	3/4" Female	3/4" Female
	20	1" Female	1" Female
	30 - 50	1 1/4" Female	1 1/4" Female
	80 - 110	1 1/2" Female	1 1/2" Female
	160	2" Female	2" Female
	220	2 1/2" Female	2 1/2" Female
ST UGU	70	1 1/2" Female	1 1/2" Female
	150	2" Female	2" Female
	230 - 300	2 1/2" Female	2 1/2" Female
ST HRU	20	1" Female	1" Female
	40	1 1/4" Female	1 1/4" Female

Chilled water coil connection-two sources design (accessory)

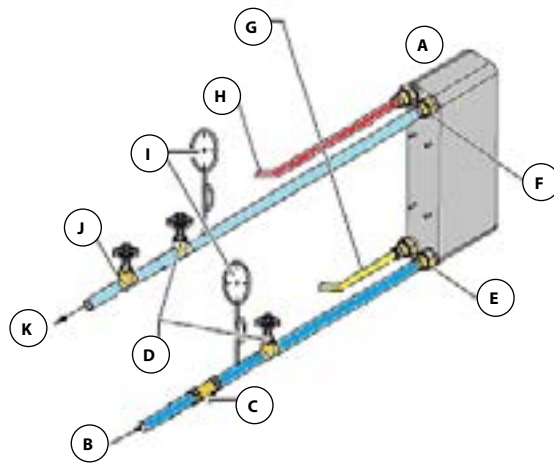
Standard models		Dimensions Ø (Inches)	
		Inlet	Outlet
ST OPU/UPU	50	3/4" Female	3/4" Female
ST OPA ST UPA	211	1" Female	1" Female
	301 - 302 - 50	1 1/4" Female	1 1/4" Female
	160 - 662 - 852	1 1/2" Female	1 1/2" Female
ST HRU	40	1 1/4" Female	1 1/4" Female
ST HRA	231	1" Female	1" Female

Free Cooling unit water circuits connection (accessory)

Standard models		Dimensions Ø (Inches)	
		Inlet	Outlet
ST OPA ST UPA	301 - 302	1 1/4" Female	1 1/4" Female
	662 - 852	1 1/2" Female	1 1/2" Female
ST HRA	231	1" Female	1" Female

Water condenser connection (accessory)

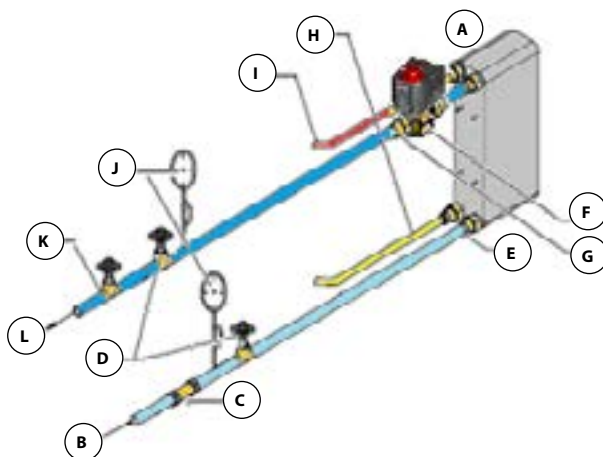
Standard models		Dimensions Ø (Inches)	
		Standard	With pressure adjustment valve
ST OPA ST UPA	71 - 141 - 211	3/4" Male	1" Female
	251	3/4" Male	1 1/4" Female
	301 - 361 - 461	1 1/4" Male	1 1/4" Female
	302 - 422	2 x 3/4" Male	2 x 1" Female
	512	2 x 3/4" Male	2 x 1 1/4" Female
	662 - 852 - 932	2 x 1 1/4" Male	2 x 1 1/4" Female
ST UGA	461	1 1/4" Male	1 1/4" Female
	612 - 932	2 x 1 1/4" Male	2 x 1 1/4" Female
ST HRA	231	1 1/4" Male	1 1/4" Female
	361	1 1/4" Male	1 1/4" Female



- A Plate condenser
- B Condenser water inlet
- C Water drain
- D Shut-off valves
- E Inlet
- F Outlet
- G Liquid line
- H Hot gas line
- I Thermometers and pressure gauges
- J Balance valve
- K Condenser water outlet

Water connections

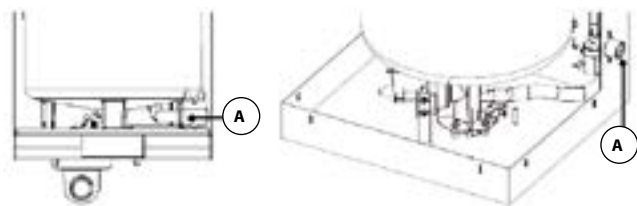
Condensation pressure adjustment modulating valve (accessory)



- A Plate condenser
- B Condenser water inlet
- C Water drain
- D Shut-off valves
- E Inlet
- F Condensation pressure adjustment modulating valve (accessory)
- G Outlet
- H Liquid line
- I Hot gas line
- J Thermometers and pressure gauges
- K Balance valve
- L Condenser water outlet

Water connections

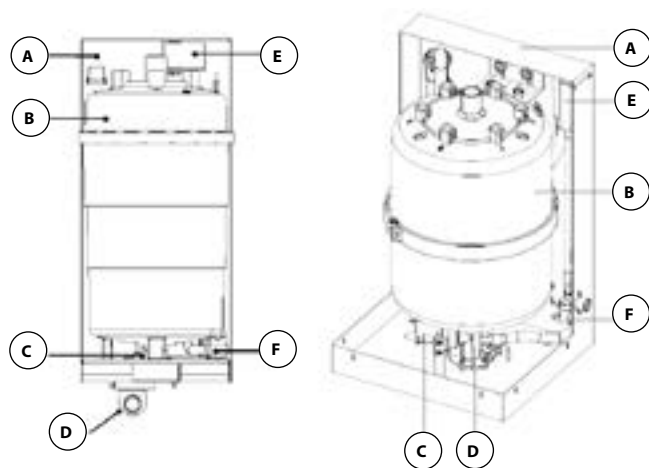
Water condenser connection of the submerged electrode humidifier



Ø Diameter hydraulic connection (A)	
Hose (mm)	Threaded Fitting (Inches)
6 (mm)	¾" Male

Internal humidifier components

Humidifier cylinder

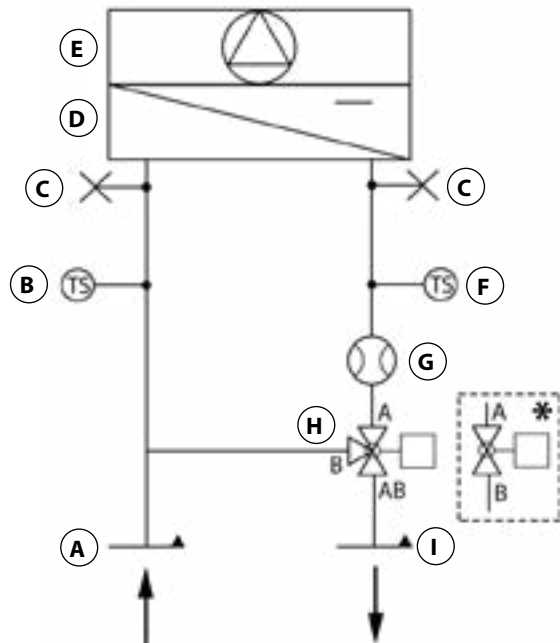


- A Load-bearing structure
- B Cylinder
- C Solenoid valve/drainage pump
- D Drainage fitting
- E Filling tank + conductivity meter
- F Supply solenoid valve

Internal humidifier components

Chilled water hydraulic circuit

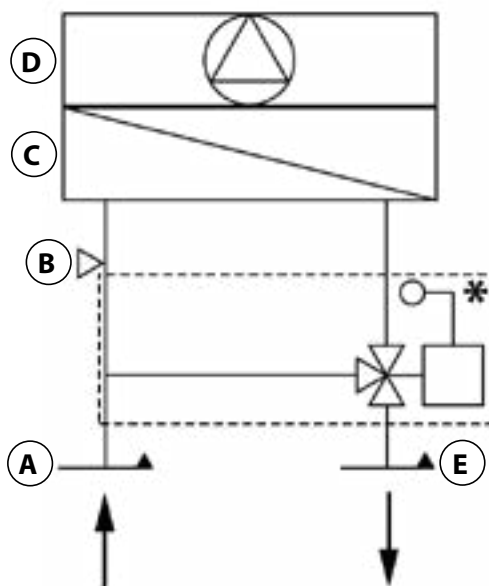
The following image represents the hydraulic circuit of chilled water units with two/three-way valves.



- A Water inlet
 - B Inlet water temperature (accessory)
 - C Manual vent valves
 - D Chilled water coil
 - E Fan
 - F Outlet water temperature (accessory)
 - G Water flow measuring device (accessory)
 - H 3-way ball valve
 - I Water outlet
- * 2-way ball valve (accessory)

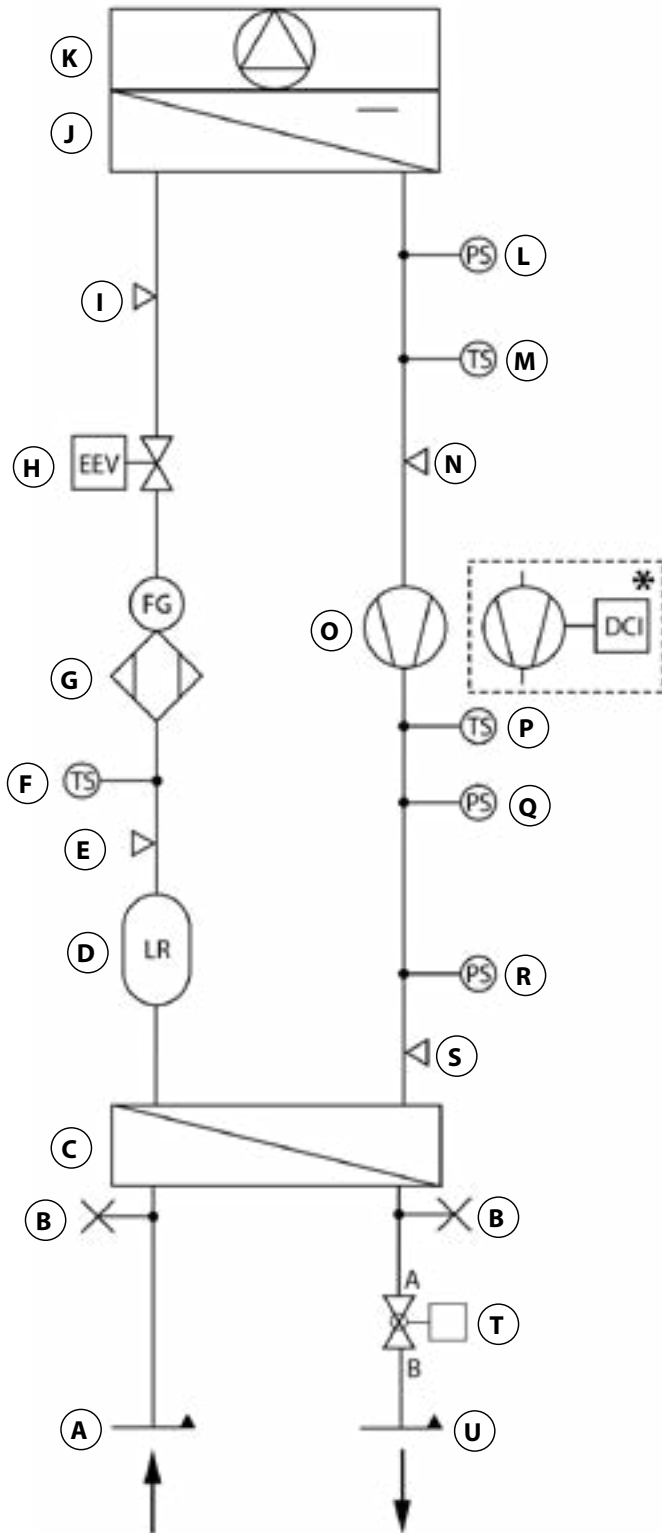
Air cooled condenser cooling circuit

The following image represents the cooling circuit of an air-cooled condenser.



- A Hot gas line
 - B Pressure intake 1/4" SAE
 - C Air-cooled condenser
 - D Fan
 - E Liquid line
- * Valve for checking condensation pressure (LT kit accessory)

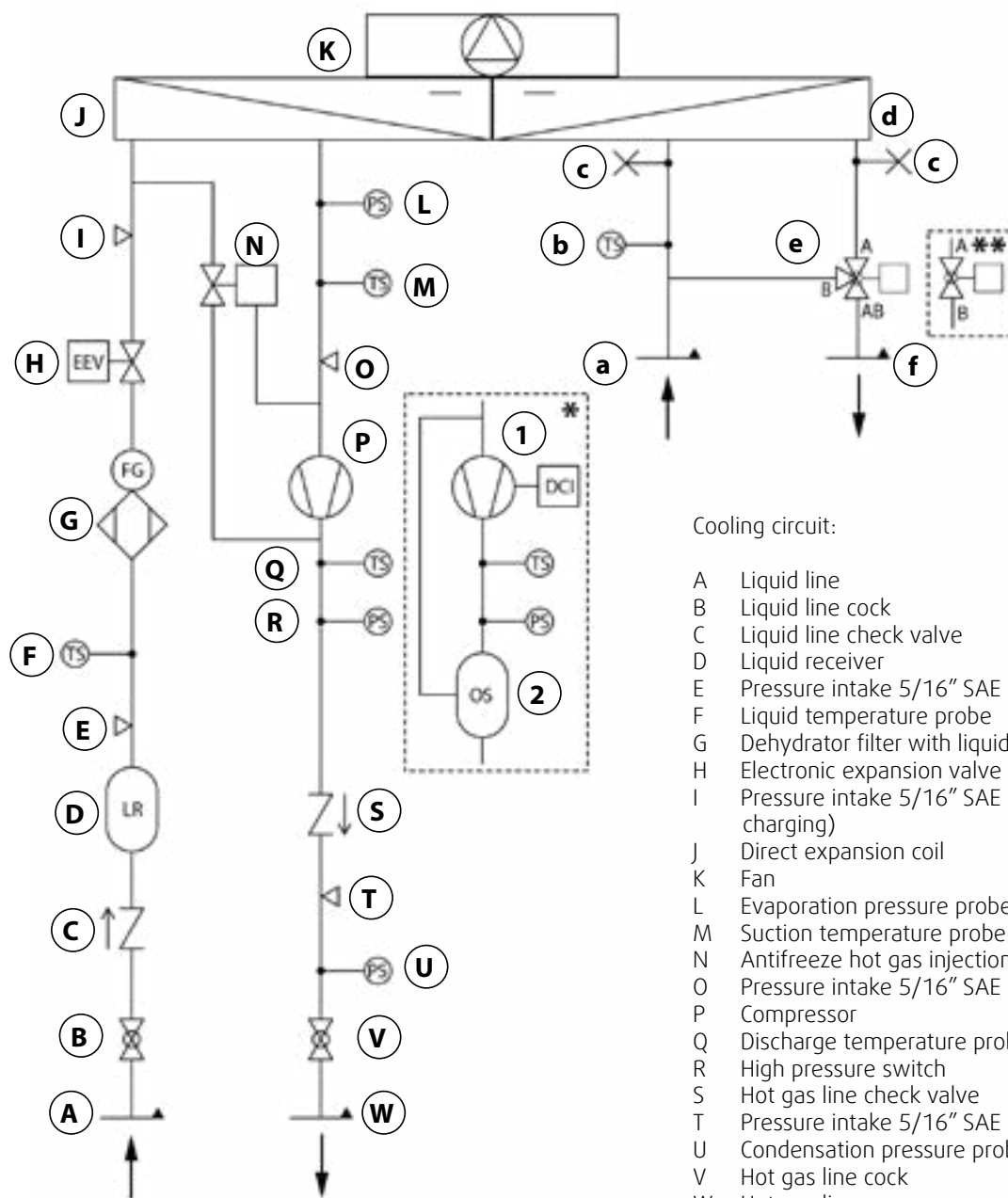
The following image represents the cooling circuit in units with water condenser.



- A Water inlet
 - B Manual vent valves
 - C Water-cooled condenser
 - D Liquid receiver
 - E Pressure intake 5/16" SAE
 - F Liquid temperature probe
 - G Dehydrator filter with liquid sight glass
 - H Electronic expansion valve
 - I Pressure intake 5/16" SAE (for refrigerant charging)
 - J Direct expansion coil
 - K Fan
 - L Evaporation pressure probe
 - M Suction temperature probe
 - N Pressure intake 5/16" SAE
 - O Compressor
 - P Discharge temperature probe
 - Q High pressure switch
 - R Condensation pressure probe
 - S Pressure intake 5/16" SAE
 - T Adjustment valve of water-cooled condenser (accessory)
 - U Water outlet
- * DC inverter compressor (accessory)

CW/DX two sources cooling circuit unit

The following image illustrates the cooling circuit of the Two Sources units, with a chilled water (CW) and direct expansion (DX) circuit.



Cooling circuit:

- A Liquid line
- B Liquid line cock
- C Liquid line check valve
- D Liquid receiver
- E Pressure intake 5/16" SAE
- F Liquid temperature probe
- G Dehydrator filter with liquid sight glass
- H Electronic expansion valve
- I Pressure intake 5/16" SAE (for refrigerant charging)
- J Direct expansion coil
- K Fan
- L Evaporation pressure probe
- M Suction temperature probe
- N Antifreeze hot gas injection valve
- O Pressure intake 5/16" SAE
- P Compressor
- Q Discharge temperature probe
- R High pressure switch
- S Hot gas line check valve
- T Pressure intake 5/16" SAE
- U Condensation pressure probe
- V Hot gas line cock
- W Hot gas line

* DC inverter compressor (accessory):

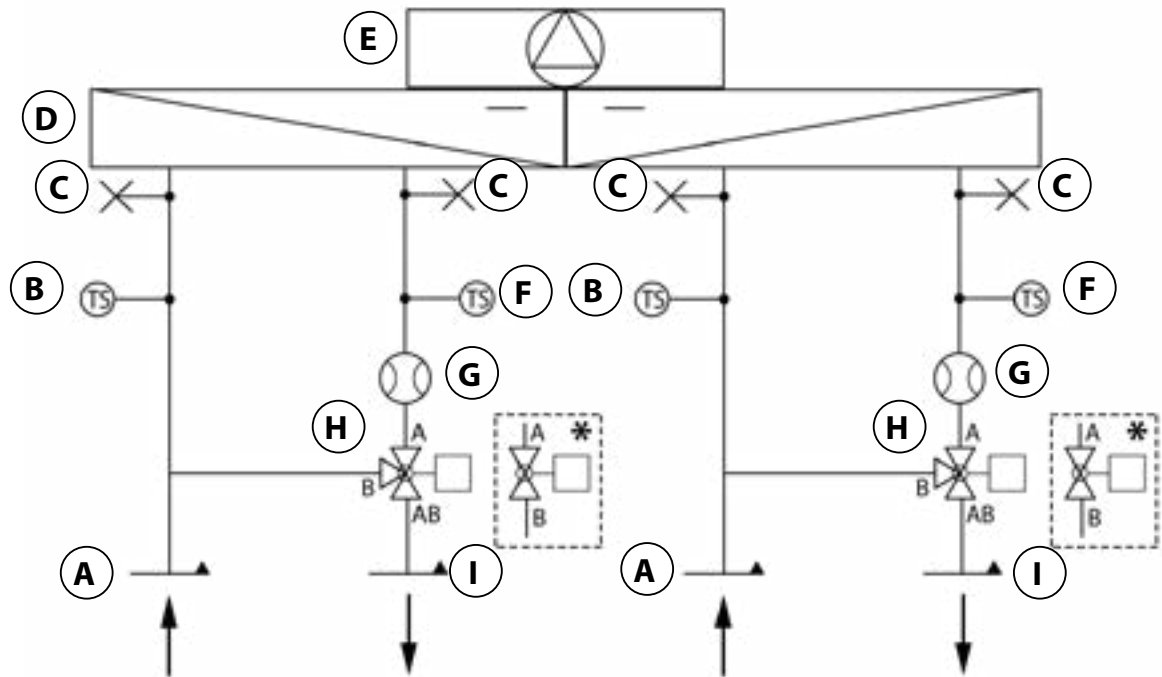
- 1 DC inverter compressor
- 2 Oil separator

Water circuit:

- a Water inlet
- b Inlet water temperature
- c Manual vent valves
- d Chilled water coil
- e 3-way ball valve
- f Water outlet

** 2-way ball valve (accessory)

The following image illustrates the cooling circuit of the Two Sources units, with a double chilled water (CW) circuit.

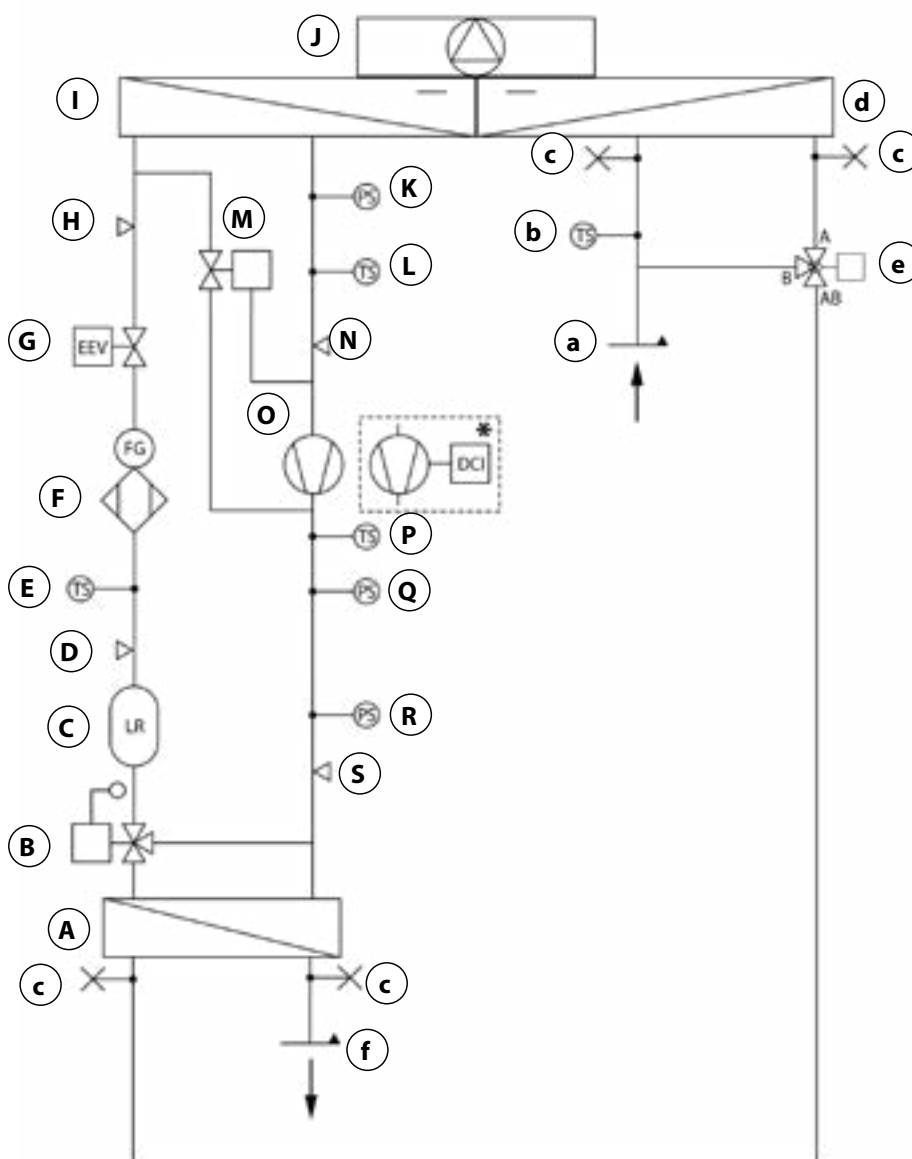


- A Water inlet
- B Inlet water temperature (accessory)
- C Manual vent valves
- D Chilled water coil
- E Fan
- F Outlet water temperature (accessory)
- G Water flow measuring device (accessory)
- H 3-way ball valve
- I Water outlet

* 2-way ball valve (accessory)

Free Cooling circuit

The following image represents the cooling circuit of the Free Cooling units.



Cooling circuit:

- | | | | |
|---|--|---|------------------------------------|
| A | Water-cooled condenser | K | Evaporation pressure probe |
| B | Valve to check condensation pressure | L | Suction temperature probe |
| C | Liquid receiver | M | Antifreeze hot gas injection valve |
| D | Pressure intake 5/16" SAE | N | Pressure intake 5/16" SAE |
| E | Liquid temperature probe | O | Compressor |
| F | Dehydrator filter with liquid sight glass | P | Discharge temperature probe |
| G | Electronic expansion valve | Q | High pressure switch |
| H | Pressure intake 5/16" SAE (for refrigerant charging) | R | Condensation pressure probe |
| I | Direct expansion coil | S | Pressure intake 5/16" SAE |
| J | Fan | | |
- * DC inverter compressor (accessory)

Water circuit:

- | | |
|---|-------------------------|
| a | Water inlet |
| b | Inlet water temperature |
| c | Manual vent valves |
| d | Chilled water coil |
| e | 3-way ball valve |
| f | Water outlet |

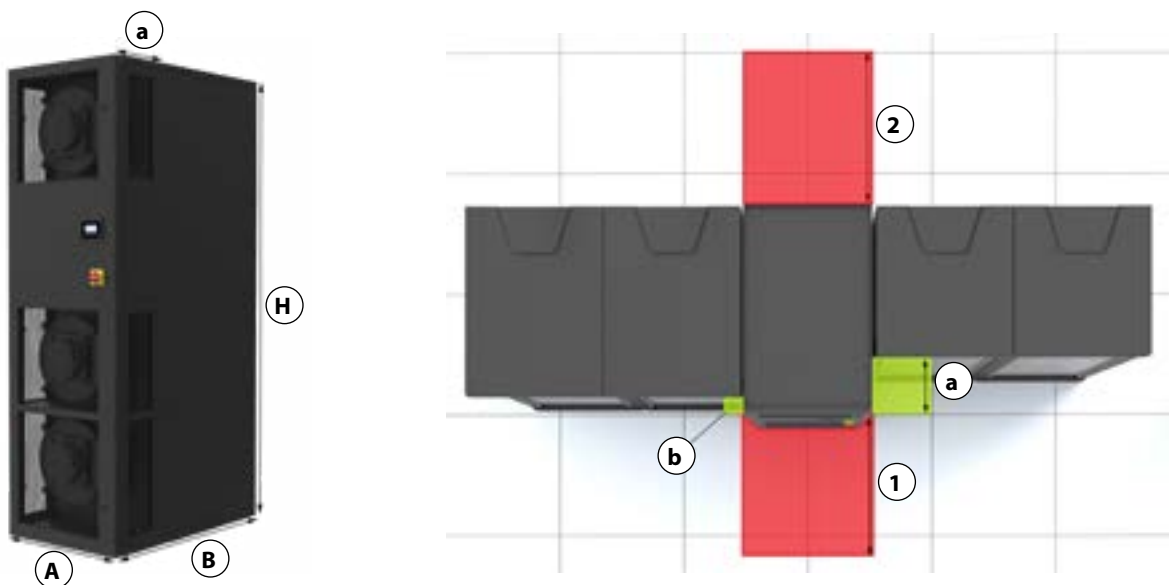
Weights

Standard Model	Weight (kg)	Standard Model	Weight (kg)	Standard Model	Weight (kg)
P Series					
071	150	302	385	10	115
141	205	422	485	20	160
211	260	512	500	30	225
251	285	662	640	50	240
301	360	852	660	80	340
361	440	932	860	110	360
461	450			160	540
				220	700
G Series					
461	500	70	400	300	1250
612	500	150	620		
932	720	230	930		
R Series					
121	190			20	120
231	215			40	190
361	215				

Dimensions and clearances

Standard Model	Plan dimensions						
	Dimensions (mm)			Clearances (mm)		Scheduled maintenance (mm)	
	Length	Depth	Height	Front and side intake	Front intake only	Front	Rear
	A	B	H	a	b	1	2
R Series Units							
20-121	300	1200	1970+70*	200	-	800	800
40 - 231- 361	600	1222	1985+30*	315	45	800	800

* Height of the "Wheel Kit" accessory



Series R clearance spaces

Dimensions and clearances

Standard Model	Plan dimensions						
	Dimensions (mm)			Clearances (mm)		Scheduled maintenance (mm)	
	Length	Depth	Height	Upper	Lower	Front	Left
	A	B	H	a	b	1	2
P Series Units							
071 - 141	750	601	1990	300	300	750	-
10 - 20						-	
211 - 251	860	-				600	
30 - 50							
301 - 302	1410	-					
361 - 461 - 422 - 512	1750	880				860	-
80 - 110							
662 - 852	2300	-					
932	2640	-					
160							
220	3495	-					
G Series Units							
70	1320	921	1990	300	550*	860	-
461 - 612	1490						
150	2220						
932	2390						
230	3120						
300	4020						

* Minimum height of ventilating plinth.
Check definitive height when placing the order.



Series P clearance spaces





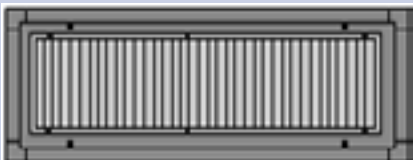
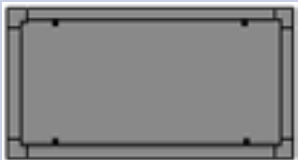
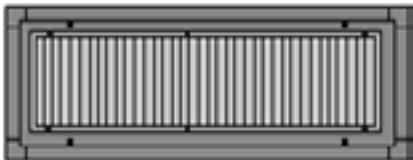
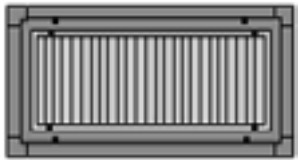
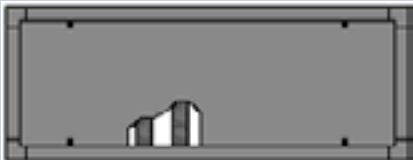
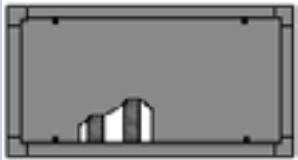
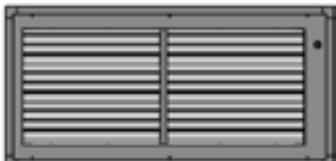
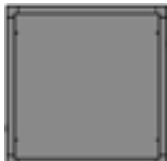
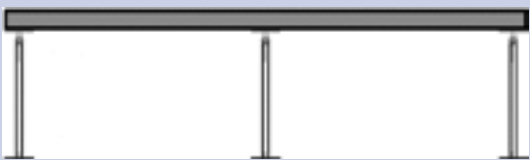

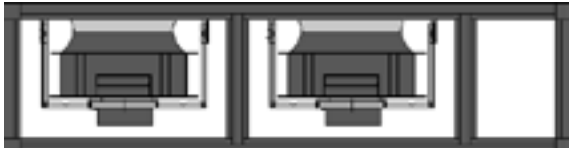

Series G clearance spaces

Plenum and base frame (accessory)

Various types of air distribution plenum and base frame are available as accessories for both the Under (U) and Over (O) versions of the unit.

When installing plenums and base frame, it is advisable to place a gasket (rubber or similar material) of an adequate thickness and length, between them and the machine to avoid transmitting vibrations to the structure. Placing this gasket in between also ensures the air seal between the two elements and contains the noise level of the installation.

Below are the various types of available plenums and base frame:

Type	Front view	Right - Left Side View
Plenum with opaque panels (Drilling must be carried out by the customer)		
Plenum with front grille		
Plenum with front and side grilles		
Soundproofed duct section		
Free-cooling plenum		
Series P Adjustable Bases		
G series unit ventilated base frame		

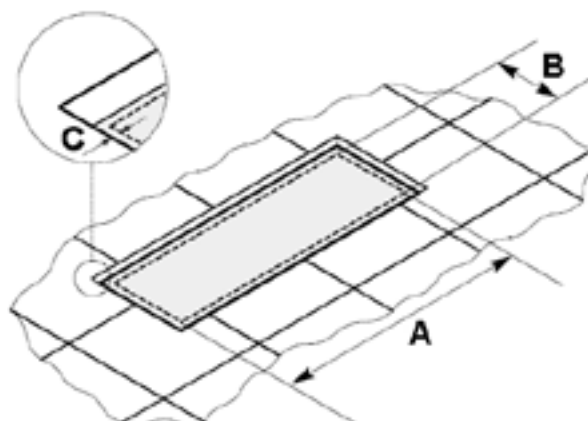
Dimensions and clearances plenum and plinth

P series - Plenum and soundproofed duct section	Plan dimensions - standard model dimensions (mm)		
	Length	Depth	Height
071 - 141 - 10 - 20	750	580	450/550 (lower plenum)
211 - 251 - 30 - 50	860	850	550
301 - 302	1410		
361 - 461 - 422 - 512 - 80 - 110	1750		
662 - 852	2300		
932 - 160	2640		
220	3495		
P series - Free-cooling plenum *	Length	Depth	Height
071 - 141 - 10 - 20	750	580	580
211 - 251 - 30 - 50	860	850	850
301 - 302	1410		
361 - 461 - 422 - 512 - 80 - 110	1750		
662 - 852	2300		
932 - 160	2640		
220	3495		
P series - Adjustable base frame	Length	Depth	Height
071 - 141 - 10 - 20	750	580	330 / 400 530 / 600
211 - 251 - 30 - 50	860	850	
301 - 302	1410		
361 - 461 - 422 - 512 - 80 - 110	1750		
662 - 852	2300		
932 - 160	2640		
220	3495		
G series - Plenum and soundproofed duct section	Length	Depth	Height
70	1320	900	550
461 - 612	1490		
150	2220		
932	2390		
230	3120		
300	4020		
G series - Free-cooling plenum *	Length	Depth	Height
70	1320	900	550
461 - 612	1490		
150	2220		
932	2390		
230	3120		
300	4020		
G series - Adjustable base frame	Length	Depth	Height
70	1320	900	550 1000
461 - 612	1490		
150	2220		
932	2390		
230	3120		
300	4020		

* Damper depth: 130 mm

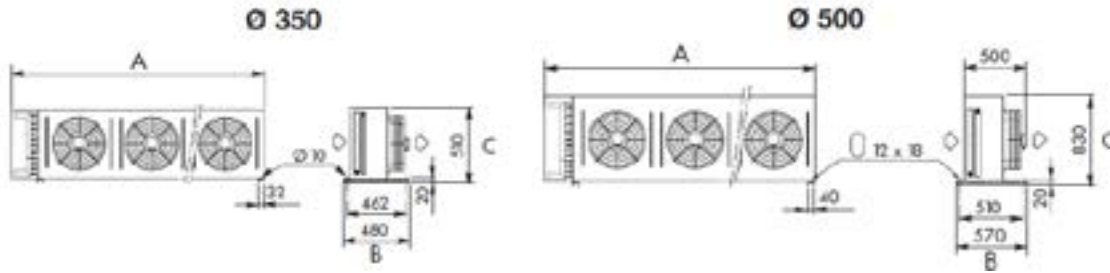
Sizing the hole for the installation of the base frame in the finished floor surface

P series Plinth plan dimensions - Dimensions (mm)	Length	Depth	Tolerance
	A	B	C
071- 141 - 10 - 20	750	580	
211 - 251 - 30 - 50	860	850	10
301 - 302	1410		
361 - 461 - 422 - 512 - 80 - 110	1750		
662 - 852	2300		
932 - 160	2640		
220	3495		
G series ventilated base frame plan dimensions - Dimensions (mm)	Length	Depth	Tolerance
	A	B	C
70	1320	900	10
461 - 612	1490		
150	2220		
932	2390		
230	3120		
300	4020		

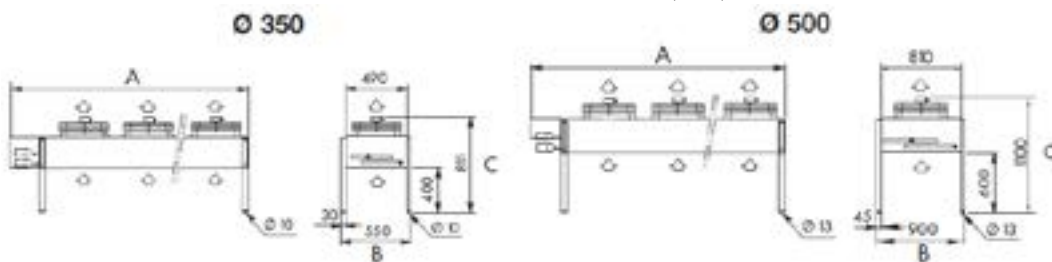


TMC Dimensions

Vertical Installation (V)



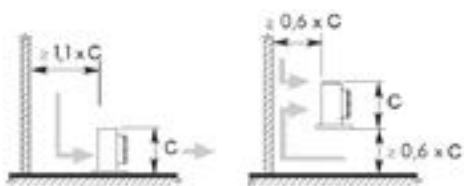
Horizontal Installation (H)



Standard models	Length (A) mm	Depth (B) mm		Height (C) mm		Weight Kg
		V	H	V	H	
TMC 11	880	480	550	510	811	27
TMC 19						44
TMC 31	1220	570	900	830	1100	67
TMC 35						71
TMC 40	2220	570	900	830	1100	104
TMC 49						112
TMC 55						112
TMC 63						120
TMC 84	3220	570	900	830	1100	157
TMC 92						170

TMC Clearances

Vertical Installation (V)



Horizontal Installation (H)

