

# SyScrew 370-1250 Air EVO

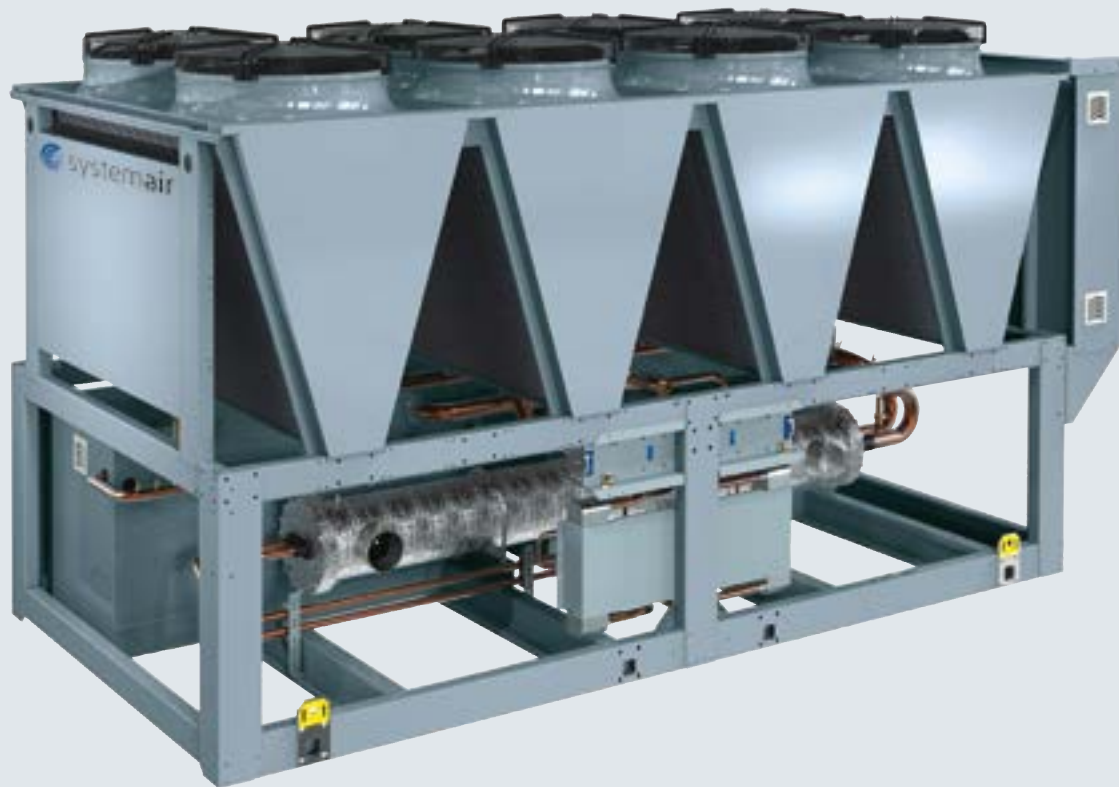
Air Cooled Chillers with or without total heat recovery  
Engineering Data Manual



R134a

R513A

364 to 1250 kW





## Features & Strength Points

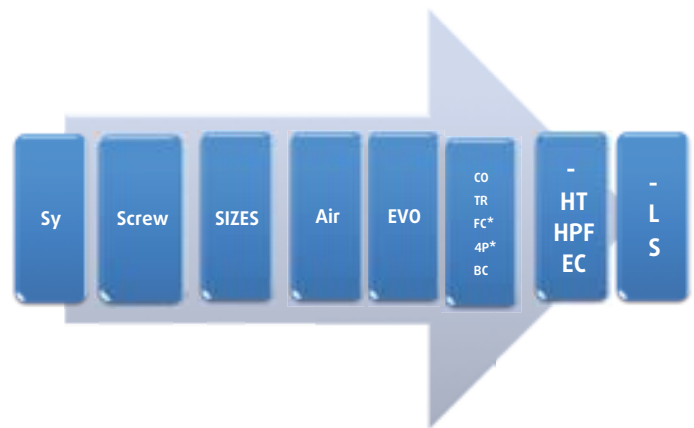
Technology and the research created the straight-way of evolution from Good to Great: **Welcome to SyScrew Air EVO.**

A completely new generation of modern Systemair Air Cooled Chiller which were developed and built consistently according to the market target: "Highest efficiency at Lowest environment impact".

In SyScrew Air EVO range, all this has become possible thanks to a new modular concept, equipped with new microchannel coils and optimized screw compressors and new pure counter flow evaporator.

- New Microchannel coils.
- High efficiency [shell and tube counter flow](#) evaporator.
- All the versions keep the [same configuration of the base units](#) (same structure, electrical board, compressors and coils).
- [Electronic expansion devices](#) on all units as standard.
- [Compressors box is standard on all units](#) – internal sound-proofing for Super Low Noise (SLN) version.
- High Temperature (HT) for high operating limits. The version is equipped with axial fans of large diameter (electronic brushless type motor-EC).
- [External electrical box](#) to improve internal aerodynamic (more air flow; which increases heat rejection by the coils).
- [Hydro kits](#) without buffer tank but with pump(s) only, fitted on board of the chiller to perform outstandingly the package solution and the plug & play concept.
- Polar version for application with low air temperature -18°C.
- Brine version for application with low water temperature below 0°C.
- R513A refrigerant available as low GWP alternative to R134a.

# Specifications



CO = Cooling Only; TR = Total Heat Recovery; FC = Free Cooling; 4P = 4 Pipe; BC = Brine Application; Version - = BLN; HT = HT; HPF = HPF; Version - = BLN; L = LN; S = Super LN; For HT and HPF not available L and S; \* Not available.

## General

The new units have been designed to operate with R134a and R513A refrigerants. All components have been optimized for these refrigerants. Each unit consists of **two independent refrigerant circuits** complete with screw compressors and one double circuit pure counterflow shell and tube heat exchanger. The condenser section is complete with new microchannel finned coils, of monobloc type, and new optimized fan deck. All the units are equipped with **electronic expansion valves**, one for each circuit. The units are available in **13 sizes**, with a nominal capacity range from 364 to 1250 kW.

The version can be supplied with **3 acoustic options**:

- **Basic Low Noise (-)**: The units are equipped with **delta connected fan motors**. The chillers are not supplied with fan speed controller, but fitted with **compressors box** to reduce the noise emissions.
- **Low Noise (L)**: The units are equipped with **star connected fan motors**. The chillers are not supplied with fan speed controller, but fitted with **compressors box** to reduce the noise emissions.
- **Super Low Noise (S)**: The units are equipped with **star connected fan motors complete with optimized full bell-mouth with static blades (motor suspension) and short diffusor**, fitted with a speed controller which allows the units to operate with a very low rpm. The chillers are supplied with **acoustically insulated (SLN) compressors box and flexible pipes as well as mufflers on compressor discharge lines**.

In addition to the Standard version, the ranges offer **2 more versions**:

- **HT (High Temperature) version**: It has same equipment as that of the Standard version, except that the units are equipped with **special inverter fans**, of large diameter, driven by EC (**electronic brushless type**) motors with **integrated electronic inverter**. The HT version can be supplied with Basic Low Noise acoustic option only.

- **HPF (High Pressure Fan) version**: It has same equipment as STD units, except that the units are equipped with **special inverter fans** driven by EC motors with **integrated electronic inverter**. The HPF version provides external static pressure up to **120 Pa**. This version can be supplied with acoustic option only.

Also, **2 heat recovery options** are available:

- **Desuperheater**: All the versions can be supplied with plate type heat exchangers fitted, one on each refrigerant circuit, on the compressor discharge line to recover about **20 % of the total heat** rejected to the condensers.
- **Totally Heat Recovery**: The versions of the **cooling only** units can be supplied with suitable heat exchanger (double circuit plate or S&T type) to recover **100 % of heat rejection** by the condensers. 4-way valves and a field installed control sensor are also provided to ensure the cooling/heat recovery mode changeover.

## Special Versions

- **Polar Version**: Special version with Electronic fans and dedicate devices on refrigeration system allow the units to operate at ambient temperature down to **-18°C**.
- **Brine Version**: Special Version with dedicate devices on refrigeration system allow the units to operate with brine (ethylenic or propylenic glycol) down to **-8°C**.

## Cabinet and structure

The unit cabinet and structure are made of heavy gauge galvanized steel. All the galvanized steel components are individually painted, with a polyester powder based painting (**RAL 7040**), under a special painting process before the assembly of the unit. This painting system performs and stands a homogeneous protection of the corrosion. All parts of the structure are totally fastened with stainless steel bolts and rivets.

### Refrigerant circuits

All the units are composed of two independent and separate refrigerant circuits. Each refrigerant circuit is equipped with discharge line shutoff valves, filter-drier with solid core, sight glass and [electronic expansion valve](#). Some units are equipped with economic system (ECO) to improve the performances and the efficiency. The functional diagram of each circuit is shown in the section "Refrigerant flow diagram".

### Semi-hermetic screw compressors

The compressors installed in the units are of semi-hermetic screw type integrating a step type or stepless type (on request) cooling capacity control system.

All compressors are fitted with an electronic control system ensuring the following functions:

- Protection against high temperature and excessive load;
- Correct direction of rotation;
- Phase monitoring.

The main features of cooling capacity control of each compressor are stated below:

- Compressor capacity reduction by means of solenoid valves ;
- Capacity reduction steps relating to each compressor:
  - standard compressors: 25% (at start-up and pump down), 50%, 75% and 100%.
  - stepless compressors: infinity steps between 50% and 100%.
- Capacity steps on 2 refrigerant circuit units:
  - standard compressors: 6 steps (25%, 50%, 63%, 75%, 87% and 100%).
  - stepless compressors: 25 to 100%.

Furthermore, the screw compressors are provided with control devices to make the units more reliable:

- Electric motor temperature sensor;
- Discharge temperature sensor.

The compressors are supplied a Star-Delta starting system. Also soft starter is available on request (refer to section "Compressor electrical data").

### Evaporator

Evaporator is of a new generation shell and tube, of pure counter flow type heat exchanger. It is insulated with a 19 mm thick closed cell polyethylene foam material and is fitted with an electric heater on the external surface to prevent the unit from freezing at a low temperature (down to -18 °C) when the unit is off.

Water connections of heat exchanger are of Victaulic type supplied with coupling stub pipe to be welded.

### Condenser coils

The condenser coils are of microchannel type, made of 100% aluminium (fins, tubes and headers) with the exception of pipe couplings which are in copper.

### Condenser fans

For each size, all versions keep the same number of fans. Large diameter, direct drive axial type fans with asynchronous three-phase motors are used in all acoustic versions (-,L,S) of STD units. Special inverter fans with electronic brushless type motors are used in HT and HPF units. On high pressure fans of HPF units, the external static pressure ( $\leq 120$  Pa) can be adjusted on site to match the customer demand directly from the electronic control panel of the unit. Fans are equipped with externally mounted nozzle profile housing which generates low sound levels.

### Fan speed control

The airflow is controlled in order to operate at a low ambient temperature. On standard unit equipped with axial fans, the air flow control is:

- step type for - and L versions without fan speed controls, achieved by switching off some fans of each circuit in function of condensing pressure corrected by external temperature.
- stepless type for S version, achieved by an electronic fan speed control, supplied as standard, in function of condensing pressure.

The pressure actuated stepless type fan speed controller can be supplied as optional on - and L versions. It allows the units to operate in cooling mode at ambient temperature down to -10 °C.

On HPF units with electronic axial fans, the pressure actuated stepless type fan speed control is supplied as standard, because these electronic fans are already equipped with an integrated fan speed control (fan speed range: 50 to 1100 rpm; ambient temperature limit: -10 °C).

### Electrical board

The electrical board is located in a metal case arranged outside the unit. The metal case has an IP54 protection rating and is complete with grilles for natural air ventilation.

### Electronic control

The units are supplied with the new microprocessor-based electronic control and management system ensuring the following functions:

- Management of the operation of compressors:
  - Power on/off
  - Anticycle management
  - Unloading for high pressure or high compressor pressure ratio (integrated inside the curves of compressor operating limits).
- Chilled water temperature regulation (control option on inlet water temperature RWT (P+I type) or outlet water temperature LWT (neutral band type) of the evaporator.
- Control of superheating on suction line.
- Evaporator antifreeze protection.
- Management of high and low pressure alarms.
- Management of the compressors on the two circuits.

- Management of the electronic expansion valves by means of EEV controller.
- Management of external interlocks.
- Management of the remote control:
  - Unit power on/off
  - Summary alarm signals
- Remote signalling, by free contacts:
  - Voltage presence.
  - Compressors in operation.
  - Circuit alarm unit.
- Management of the hydro kit: start-up of pump.
- Management of the heat recovery mode by means of inlet water temperature sensor at the heat recovery condenser.

The unit controller can also clearly show all control parameters of the machine on the liquid crystal display, such as:

- Display of superheating value.
- Display of the temperature at the evaporator inlet and outlet.
- Display of the ambient air temperature.
- Display of the circuit 1 and circuit 2 discharge pressure and suction pressure.
- Display of the set point.
- Display of opening steps of EEV.
- Display of speed control signal (voltage) of fans.
- Display of the various alarm and operation status:
  - Compressor start-up alarm (discharge pressure check).
  - Low / High pressure.
  - Low / High super-heating.
  - Evaporator antifreeze.
  - Flow switch signal for lack of water.
  - Control of the compressor operating hours.
  - Compressors in operation.
  - Pump in operation.
  - Thermal protection of compressors.
  - Thermal protection of fans.
  - Faulty sensors.

### Control and safety devices

Each unit is fitted with the following devices:

#### Safety:

- Power disconnect switch with an emergency stop function.
- Safety valve on the discharge line (HP side) set to 21 bar.
- Safety valve on the suction line (LP side) set to 14.5 bar.
- HP switches (double on each circuit) set to 19 bar, manual reset to be reinitialized from control board.
- LP switches (one for each circuit) set to 0.5 bar, manual reset to be reinitialized from control board.
- Antifreeze temperature sensor (set to +4 °C) on the evaporator.
- Discharge gas temperature protection, on the discharge line of each compressor.

#### Control:

- HP and LP transducers.
- Evaporator water inlet temperature sensor.
- Evaporator water outlet temperature sensor (with an antifreeze function).
- Suction temperature sensor for EEV control.
- Ambient air temperature sensor.
- Heat recovery condenser temperature sensor.

### Conformity with standards

The following applies to all the sizes and versions of units:

- Machine Directive: 2006/42/EC.
- Low Voltage Directive: 2006/95/EC.
- Electromagnetic Compatibility Directive: 2014/30/EU.
- Pressure Equipment Directive: 2014/68/EU.

### Standard equipment

- Set point timer/clock card.
- Back light display.
- Digital pressure and temperature reading.
- High ambient pressure control.
- Sequence phase control.
- Electronic expansion valves.
- Compressor part Windings or Star/Delta starting.
- Control circuit transformer 400 V/230 V.
- Data logger.
- Power supply without neutral.
- Main switch.
- Refrigerant R134a or R513A.
- PED approval.
- Evaporator antifreeze electric heater.
- Shell and tube evaporator.
- Compressor box.
- Compressor acoustic box (S version only).
- Water pump acoustic box (S version only).
- Left hand water connection.

### Optional hydro kits

On board hydro kits and remote hydro kits are available.

On board hydro kits can be supplied without buffer tank but with pump(s) only (in standard or high pressure version), while remote hydro kits are always supplied with internal tank and pump(s). The HPT models can be used as remote hydro kits for field installation.

The on board hydro kit, located inside the unit, with has the following components:

- Single or double pump with low static pressure (150 kPa) or high static pressure (250 kPa),
- Expansion tank,
- Water filter,
- Shut-off valves,
- Safety valve,
- Automatic air vent valve,
- Thermal insulation for pipes and water pump(s),
- Antifreeze electric heater for hydraulic pipes (available

- on request),
- The water pump(s) is supplied with sound proof box for units in S version.

**Factory-installed options**

- ModBus protocol kit for BMS (RS485 or Ethernet).
- Lonwork protocol kit for BMS (RS485).
- Bacnet protocol kit for BMS (RS485 or Ethernet).
- Double set point.
- Stepless capacity control.
- Compressors soft starter.
- Pressure actuated stepless fan speed controller for low ambient operation (-10 °C) (- & L versions).
- Power factor correction capacitors.
- Automatic circuit breakers.
- HP & LP manometers.
- Compressor liquid injection.
- Compressor oil cooler.
- Compressoir oil switch (standard on stepless control option).
- Condenser coils with E-Coating.
- High static pressure fans (ESP<120 Pa) for HPF version.

- Chiller grilles.
- Water pump acoustic box.
- Total heat recovery (TR).
- Desuperheater.
- On board hydro kits without buffer tank, with 1 or 2 low or high pressure pump(s) and relevant accessories.

**Field-installed accessories**

- Remote ON/OFF control.
- ModBus protocol kit for BMS (RS485 or Ethernet).
- Lonwork protocol kit for BMS (RS485).
- Bacnet protocol kit for BMS (RS485 or Ethernet).
- Remote keyboard panel.
- Master and slaves control, up to 4 units max.
- Chiller grilles.
- Spring anti-vibration mounts for basic unit.
- Spring anti-vibration mounts for internal hydro kit.
- Flow switch.
- Water filter.
- Remote hydro kits with buffer tank, 1 or 2 low or high pressure pump(s), relevant accessories and with or without tank antifreeze heater.

**Accessories & Options**

SyScrew 370-1250 Air EVO	Delivery	Abbreviation	Description & Befenit
Set point timer/Clock card	Std	CLK	To schedule 4 different interval time with different active water T setpoint.
Back light display	Std		User Display panel mounted. Suggested for outdoor installation.
Digital pressures and temperatures reading Kit	Std		Pressure Transducers & Sensors to show the Discharge and Suction pressure and temperature during running condition.
High pressure control on capacity	Std		Functions able to protect multistage circuit from High discharge pressure values. Circuit is partloaded whenever the Discharge pressure is too high to prevent HP tripping.
Sequence phases control	Std	PHC	It allows to check the correct sense R-S-T of electric supply phases for 400/3/50 units.
Electronic expansion valves	Std	EEV	It is the device able to control the refrigerant flow on suction line trough a stepper motor in order to keep the superheat as constant as possible.
Control circuit transformer 400V/230V	Std	TRF	Voltage transformer to provide correctly the separated voltage to the auxiliary line.
Data logger	Std	DL	Record continuously the essential thermodynamic operating parameters, during the last hours. This facilitates debug and service activity on field.
Power supply without neutral	Std	3PH	Unit to be supplied with 400/3/50. No need of Neutral cable.
Main switch	Std		Front operated switch-disconnector with direct mounted handle to cut the power Supply Line according CE standards.
Antifreeze electric heater kit	Std	EEH	Electrical Heater protects the plate exchanger.
Remote On/Off control	Accessory		It enables the operator to power on the unit when it is in standby mode, to display alarms and switch over cooling-heat pump. Maximum length: 50mt.
Remote keyboard panel	Accessory		Makes it possible to control the unit through the remote terminal, up to a maximum distance of 400mt of telephone cable.
Modbus protocol kit for BMS (RS485)	Std	MBS	It permits the integration of the unit with BMS with Modbus protocol trough RS485 port.
Lonwork protocol kit for BMS (RS485)	Option	LON	It permits the integration of the unit with BMS with Lonwork Network.
Bacnet protocol kit for BMS (RS485)	Option	BAC	It permits the integration of the unit with BMS with Bacnet protocol trough RS485 port.

## Accessories & Options (continued)

SyScrew 370-1250 Air EVO	Delivery	Abbreviation	Description & Befenit
Modbus / Bacnet protocol kit for BMS (Ethernet)	Option		It permits the integration of the unit with BMS with Modbus or Bacnet protocol trough Ethernet port (TCP/IP).
Softstarter for compressor	Option	SS	An electronic device that automatically starts up the compressors gradually. The starting current can be reduced by up to 40% of the direct on line value.
Low ambient kit (pressostatic stepless fan speed control)	Option	FSC	Electronic speed controllers are designed to control the speed of fan motors in Air Cooled Chiller and Heatpump. Fan Speed controlled by Condensing Pressure in cool mode or by Air Temp in heat mode. Using variable fan speed controllers offers following benefits in commercial refrigeration or air-conditioning applications High Efficiency, Low Noise level, Low air temperature in cool mode and High air temperature in heat mode.
Double set point	Option	DSP	Can manage two different applications (set point) selected by remote dry contact Circuit 1 and Circuit 2. On/Off or Part Load by remote Dry contact.
Power factor corrector capacitors	Option	PFC	The purpose of the power factor corrector capacitor is to minimize the input current distortion and make the current in phase with the voltage. Target is to keep Power Factor about 0.90 in any running condition.
Sequencer for up to 4 chillers installation	Accessory	SEQ	It can easily pilot up to 4 units, chiller or heat pumps, belonging to the same family, fitted in parallel, 50 metres apart maximum.
Automatic circuit breaker	Option	ACB	ACB is an automatically operated electrical switch designed to protect an electrical circuit from damage caused by overload or short circuit. Providing Magnetic and Thermal protection to Fan and Compressor motors.
Mechanical gauges kit (HP and LP manometers)	Option	KM	Pressure gauges that display the operating pressure in the high and low pressure sections of the refrigerant circuit.
E-coating MCHX	Option		It is a treatment fo MCHX coil for medium level of pollution and for marine atmosphere.
Chiller grilles	Option	KG	Grilles to protect unit avoiding possible intrusion into the unit.
Total heat recovery	Option	TR	Additional exchanger in order to recover 100% of capacity for Domestic Hot Water application.
Desuperheater	Option	D	Additional exchanger in order to recover 20% of capacity for Domestic Hot Water application.
Flow switch	Accessory	FS	Prevents the operation of the unit if the circulating chilled fluid is insufficient. It is recommended to install a flow switch to ensure the correct operation of the unit.
Water filter	Accessory		Filter to remove impurities from the water supply.
Polar Version	Option		Special version with Electronic fans and dedicate devices on refrigeration system allow the units to operate at ambient temperature down to -18°C.
Brine Version	Option		Special Version with dedicate devices on refrigeration system allow the units to operate with brine (ethyleneic or propyleneic glycol) down to -8°C.

Accessories are loosed and to install in the field. Options are mounted in factory.



## EN 14511

Starting 2012 Campaign Eurovent Certification Company took decision to start certify only performances declared in according severe European Standard EN14511.

### BEFORE 2012: GROSS PERFORMANCES

Before this date all capacity performances are declared, measured and certified by Eurovent, as GROSS performances. COOLING or HEATING CAPACITY was rated without taking in account the negative contribution of the heat exchanger Pressure Drop or the positive contribution of the Head Available prevalence in example.

OWER INPUT was rated as pure sum of all power input contribution from all motors fitted on the unit. Without taking in account the correction due to power spent to win the exchanger Pressure Drop in example.

### AFTER 2012: NET PERFORMANCES

After this date all data are certified according EN14511. Mainly consequences in example on Water chiller or heatpump are: COOLING or HEATING CAPACITY is now rated taking in account the negative contribution of the heat exchanger Pressure Drop or the positive contribution of the Head Available prevalence in example. In case of Water to Water unit, in example, both exchanger Pressure Drop values are taken in account in the formula.

POWER INPUT is now rated as all power input contribution from all motors fitted on the unit taking in account also the correction due to power spent to win the exchanger Pressure Drop in example.

As an important consequence of these new rules setted by Eurovent is that EER, COP and ESEER are also affected by these correction. All efficiency index are now calculated, measured and certified according new rules setted by Eurovent according EN14511.

Air to water unit (non ducted outdoor):

	Indoor pump is an integral part		Indoor pump is not an integral part	
	ECC 2011 (gross)	EN14511	ECC 2011 (gross)	EN14511
Ph	$Ph_m^{(1)}$	$Ph_m - \frac{q_{wi} \Delta p_{e,wi}}{\eta_{pi}}$	$Ph_m$	$Ph_m + \frac{q_{wi} (-\Delta p_{i,wi})}{\eta_{pi}}$
Pc	$Pc_m^{(1)}$	$Pc_m + \frac{q_{wi} \Delta p_{e,wi}}{\eta_{pi}}$	$Pc_m$	$Pc_m - \frac{q_{wi} (-\Delta p_{i,wi})}{\eta_{pi}}$
Pe	$Pe_m^{(1)}$	$Pe_m - \frac{q_{wi} \Delta p_{e,wi}}{\eta_{pi}}$	$Pe_m$	$Pe_m + \frac{q_{wi} (-\Delta p_{i,wi})}{\eta_{pi}}$

(1) Measured with the indoor pump not running.

Where:

Ph = NET heating capacity.

Pc = NET cooling capacity.

Pe = electrical power input.

Ph<sub>m</sub> = is the gross heat capacity, expressed in Watts.

Pc<sub>m</sub> = is the gross cool capacity, expressed in Watts.

q<sub>wi</sub> = is the nominal liquid flow rate.

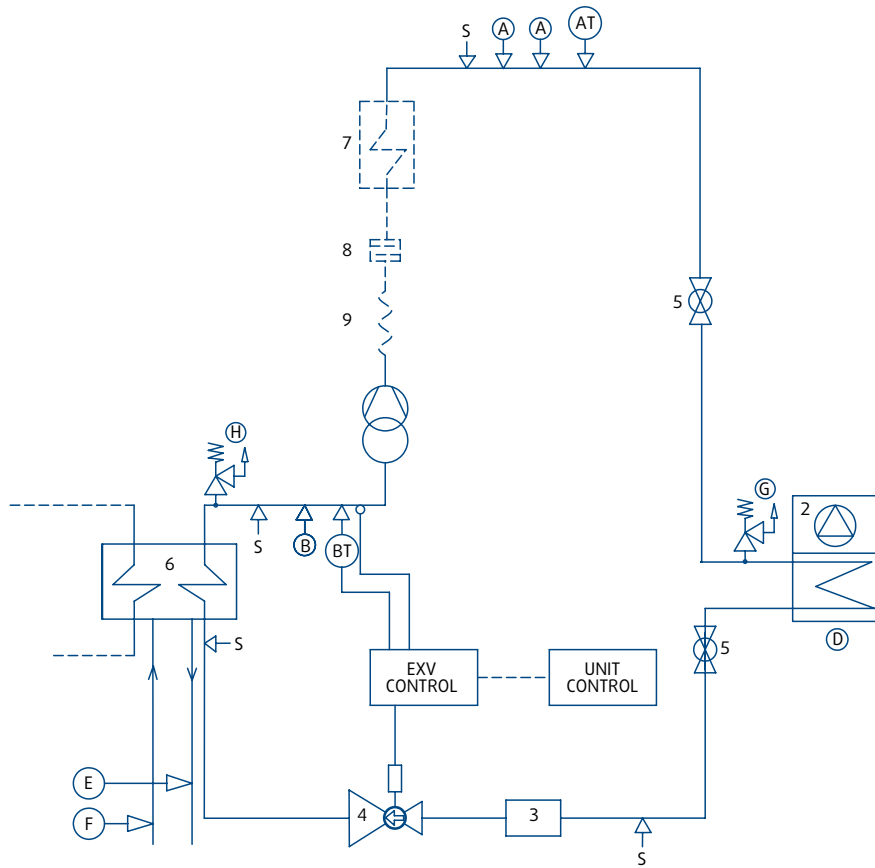
Δ<sub>pe,wi</sub> = is the measured available external static pressure.

Δ<sub>pi,wi</sub> = is the measured internal static pressure difference.

η<sub>pi</sub> = is the efficiency of the pump.

Reference: Guidelines for the declaration of performances according to EN14511 (available a copy upon request for Systemair customer).

## Refrigerant Flow Diagram sizes 370-400-500-750-1000



### COMPONENTS

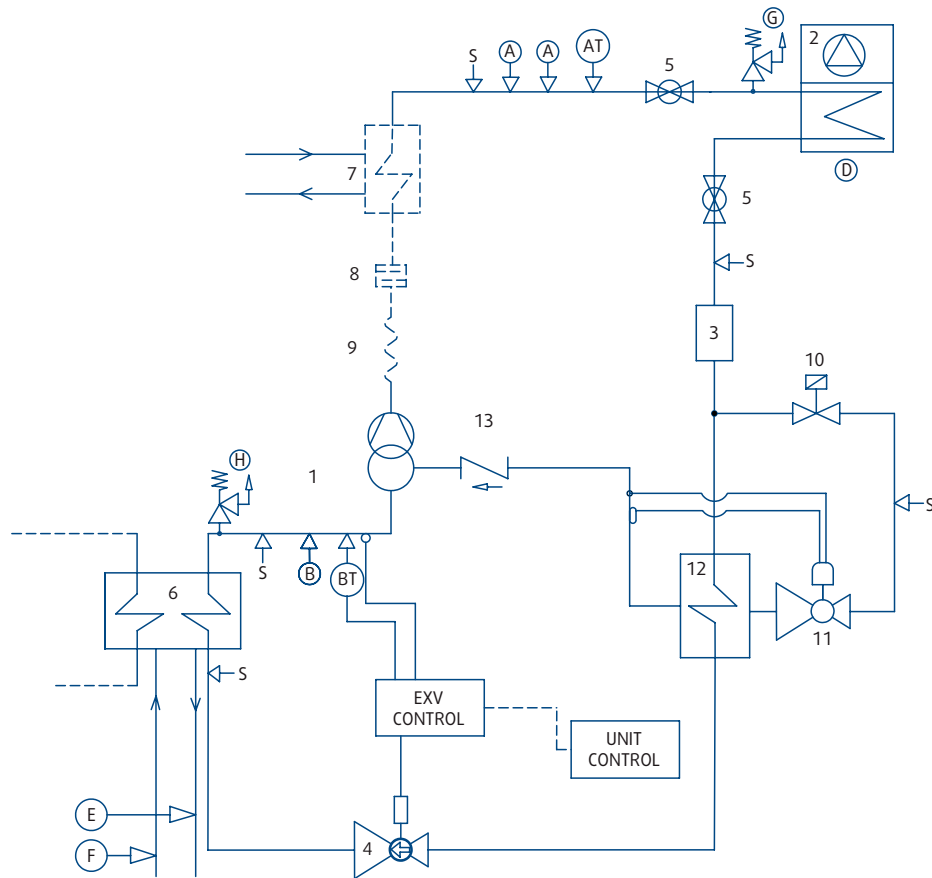
- 1 Compressor (Screw type)
- 2 Air cooled condenser
- 3 Filter drier
- 4 Electronic expansion valve
- 5 Globe valve
- 6 Heat exchanger (Shell & Tube Type)
- 7 Desuperheater (Optional)
- 8 Muffler (Optional)
- 9 Anti-vibration pipe (Optional)

### SAFETY/CONTROL DEVICES

- A High pressure switch (19 bar)
- AT High pressure transducer
- B Low pressure switch (0.5 bar)
- BT Low pressure transducer
- D Air temperature sensor
- E Outlet water temperature sensor
- F Inlet water temperature sensor
- G PED pressure relief valve HP side (21 bar)
- H PED pressure relief valve LP side (14.5 bar)
- S Schrader connection (Service only)
- ↓ Pipe connection with Schrader valve

Note: For reasons of readability, one circuit only is shown. The second circuit is identical.

## Refrigerant Flow Diagram sizes 450-570-650-700-850-950-1100-1250



### COMPONENTS

- 1 Compressor (Screw type)
- 2 Air cooled condenser
- 3 Filter drier
- 4 Electronic expansion valve
- 5 Globe valve
- 6 Heat exchanger (Shell & Tube Type)
- 7 Desuperheater (Optional)
- 8 Muffler (Optional)
- 9 Anti-vibration pipe (Optional)
- 10 Solenoid valve (ECO)
- 11 Thermostatic expansion valve (ECO)
- 12 Heat exchanger (Phetype) (ECO)
- 13 Non return valve (ECO)

### SAFETY/CONTROL DEVICES

- A High pressure switch (19 bar)
- AT High pressure transducer
- B Low pressure switch (0.5 bar)
- BT Low pressure transducer
- D Air temperature sensor
- E Outlet water temperature sensor
- F Inlet water temperature sensor
- G PED pressure relief valve HP side (21 bar)
- H PED pressure relief valve LP side (14.5 bar)
- S Schrader connection (Service only)
- ↓ Pipe connection with Schrader valve

## Operating Limits

SyScrew 370-1250 Air EVO				370		400		450		500	
				Min	Max	Min	Max	Min	Max	Min	Max
Chilled liquid	Liquid outlet temperature	Water outlet	°C	from 0 to +15 (from 0 to +5 with Water/Glycol)							
		Brine outlet <sup>1</sup>	°C	from -8 to +15							
		Temperature spread	K	from +8 to +3							
	Flow rate <sup>2</sup>	mc/h	45	105	51	119	55	128	62	144	
	Pressure drop <sup>2</sup>	kPa	9	47	11	59	12	68	10	52	
Maximum operating pressure			bar	10							
Ambient	Air entering temperature	Cooling (BLN)	°C	from 0 to +49							
		Cooling (L/S)	°C	from 0 to +47							
		Cooling HT <sup>3</sup>	°C	from -10 to 51							
		Minimum ext. air <sup>4</sup>	°C	-18	-18	-18	-18				
	External static pressure	Standard fans	Pa	0							
High pressure fans		Pa	< 120								
Recommended system chilled water volume <sup>5</sup>			l	2.736	3.115	3.349	3.779				
Minimum capacity step			%	25	25	25	25				
Power supply voltage			V	400 V+/-10%, 3 Ø, 50 Hz (nominal)							

SyScrew 370-1250 Air EVO				570		650		700		750	
				Min	Max	Min	Max	Min	Max	Min	Max
Chilled liquid	Liquid outlet temperature	Water outlet	°C	from 0 to +15 (from 0 to +5 with Water/Glycol)							
		Brine outlet <sup>1</sup>	°C	from -8 to +15							
		Temperature spread	K	from +8 to +3							
	Flow rate <sup>2</sup>	mc/h	69	161	77	180	88	205	92	215	
	Pressure drop <sup>2</sup>	kPa	12	65	15	81	19	104	17	92	
Maximum operating pressure			bar	10							
Ambient	Air entering temperature	Cooling (BLN)	°C	from 0 to +49							
		Cooling (L/S)	°C	from 0 to +47							
		Cooling HT <sup>3</sup>	°C	from -10 to 51							
		Minimum ext. air <sup>4</sup>	°C	-18	-18	-18	-18				
	External static pressure	Standard fans	Pa	0							
High pressure fans		Pa	< 120								
Recommended system chilled water volume <sup>5</sup>			l	4.224	4.703	5.363	5.627				
Minimum capacity step			%	25	25	25	25				
Power supply voltage			V	400 V+/-10%, 3 Ø, 50 Hz (nominal)							

SyScrew 370-1250 Air EVO				850		950		1000		1100		1250	
				Min	Max	Min	Max	Min	Max	Min	Max	Min	Max
Chilled liquid	Liquid outlet temperature	Water outlet	°C	from 0 to +15 (from 0 to +5 with Water/Glycol)									
		Brine outlet <sup>1</sup>	°C	from -8 to +15									
		Temperature spread	K	from +8 to +3									
	Flow rate <sup>2</sup>	mc/h	103	241	125	276	125	293	138	321	154	359	
	Pressure drop <sup>2</sup>	kPa	21	116	12	67	13	71	16	87	20	109	
Maximum operating pressure			bar	10									
Ambient	Air entering temperature	Cooling (BLN)	°C	from 0 to +49									
		Cooling (L/S)	°C	from 0 to +47									
		Cooling HT <sup>3</sup>	°C	from -10 to 51									
		Minimum ext. air <sup>4</sup>	°C	-18	-18	-18	-18	-18	-18				
	External static pressure	Standard fans	Pa	0									
High pressure fans		Pa	< 120										
Recommended system chilled water volume <sup>5</sup>			l	7.227	8.404	7.658	8.404	9.395					
Minimum capacity step			%	25	25	25	25						
Power supply voltage			V	400 V+/-10%, 3 Ø, 50 Hz (nominal)									

<sup>1</sup> Special Unit (BRINE VERSION).

<sup>2</sup> Total unit flow rate and pressure drop are given for BLN unit.

Caution: Minimum flow rates may only be used with brine solutions after reprogramming unit parameters.

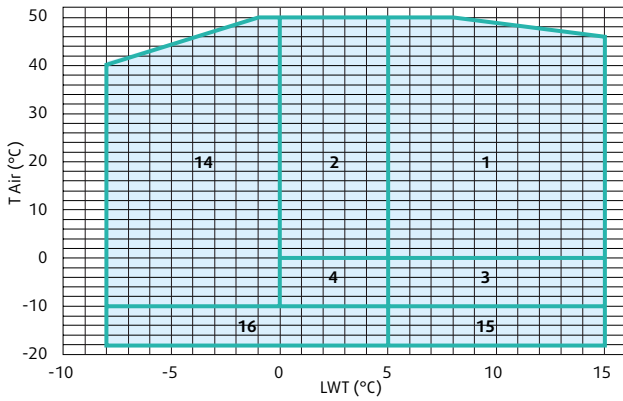
<sup>3</sup> Max. ambient air temperature over 50 °C in part loaded conditions.

<sup>4</sup> Special Unit (POLAR VERSION).

<sup>5</sup> Table shows minimum water / brine volume of system (about 7.5 lt/kW).

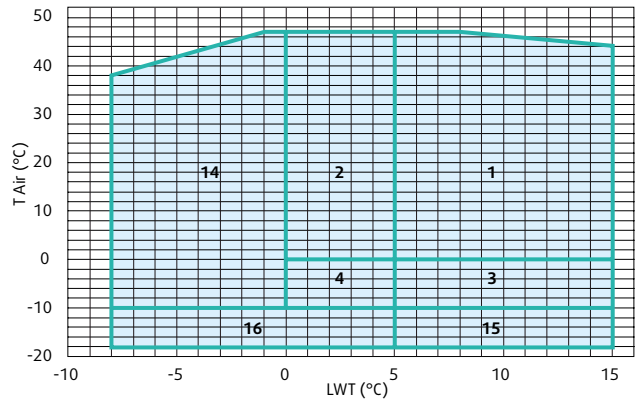
## Operating Limits and Correction Factors

### STD Version



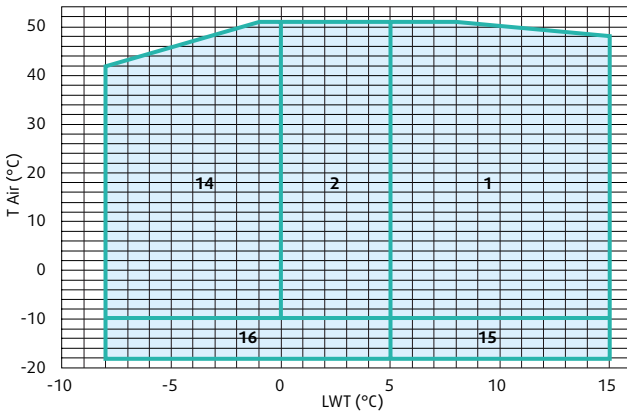
- 1 Water.
- 2 Water + Glycol.
- 3 Water + FSC.
- 4 Water + Glycol + FSC.
- 14 Brine Version.
- 15 Polar Version.
- 16 Polar + Glycol.
- 1 + 2 Standard unit.

### L/S Version



- 1 Water.
- 2 Water + Glycol.
- 3 Water + FSC.
- 4 Water + Glycol + FSC.
- 14 Brine Version.
- 15 Polar Version.
- 16 Polar + Glycol.
- 1 + 2 Standard unit.

### HT Version



- 1 Water.
- 2 Water + Glycol.
- 3 Water + FSC.
- 4 Water + Glycol + FSC.
- 14 Brine Version.
- 15 Polar Version.
- 16 Polar + Glycol.
- 1 + 2 Standard unit.

### Fouling factors

EVAPORATOR			CONDENSER		
Fouling factor (m <sup>2</sup> ·°C/kW)	Cooling capacity factor	Power input factor	Fouling factor (m <sup>2</sup> ·°C/kW)	Cooling capacity factor	Power input factor
0.044	1.000	1.000	0.044	1.000	1.000
0.088	0.987	0.995	0.088	0.987	1.023
0.176	0.964	0.985	0.176	0.955	1.068
0.352	0.915	0.962	0.352	0.910	1.135

### Altitude factors

Altitude (m)	Cooling capacity factor	Power input factor
0	1.000	1.000
600	0.987	1.010
1.200	0.973	1.020
1.800	0.958	1.029
2.400	0.943	1.038

## Technical Data - SyScrew Air EVO CO R134a (STD/HT/HPF) - \_Version

### Standard, High Temperature and High Pressure Fan versions

Model		370	400	450	500	570	650
Nominal cooling capacity <sup>1</sup>	kW	364,1	414,5	445,5	502,9	562,1	625,5
Input power <sup>1</sup>	kW	112,7	130,4	143,5	159,9	176,5	197,7
EER <sup>1</sup> / Energy Efficiency Class		3,23/A	3,18/A	3,11/A	3,15/A	3,18/A	3,16/A
EER 75%		3,65	3,57	3,46	3,53	3,56	3,53
EER 50%		4,18	4,08	3,97	4,04	4,10	4,07
EER 25%		4,58	4,40	4,34	4,36	4,36	4,33
ESEER		4,07	3,96	3,86	3,92	3,95	3,93
SEER		4,125	4,125	4,125	4,125	4,125	4,125
η <sub>s,c</sub>		162%	162%	162%	162%	162%	162%
EER* / Energy Efficiency Class*		3,27/A	3,21/A	3,14/A	3,18/A	3,22/A	3,19/A
ESEER*		4,12	4,00	3,90	3,96	3,99	3,96
SEER*		4,15	4,125	4,325	4,15	4,125	4,125
η <sub>s,c</sub> *		163%	162%	170%	163%	162%	162%
EER**		3,02	2,95	2,90	2,96	2,98	2,98
Number of refrigerant circuits		2					
Total capacity steps	%	25-50-62-75-87-100					
<b>Compressor</b>							
Number/ Type		2/Screw					
N° of loading stages		0/50/75/100					
<b>Evaporator</b>							
Number/ Type		1/Shell&Tube					
Water flow	m <sup>3</sup> /h	62,7	71,4	76,8	86,7	96,9	107,8
Pressure drop	kPa	17	21	24	19	23	29
Water volume	l	149	142	142	246	246	237
Antifreeze Heater	W	200	200	200	300	300	300
<b>Air cooled condenser</b>							
Number of coils		8	10	10	10	12	12
Total coil face area per coil	m <sup>2</sup>	2,3	2,3	2,3	2,3	2,3	2,3
<b>Fans</b>							
Number of fans		8	10	10	10	12	12
Nominal speed	rpm	900	900	900	900	900	900
Total airflow	m <sup>3</sup> /h	183.960	230.040	230.040	230.040	276.120	276.120
Total input power	kW	16,8	21,0	21,0	21,0	25,2	25,2
Total input power*	kW	15,6	19,5	19,5	19,5	23,4	23,4
Total input power**	kW	24,8	31,0	31,0	31,0	37,2	37,2
External static pressure	Pa	0 - 120 Pa**					
<b>Water Connections (Evaporator)</b>							
Type		Victaulic					
Inlet Diameter/Outlet Diameter	inch	6/6	6/6	6/6	8/8	8/8	8/8
<b>Water Connections (Desuperheater)</b>							
Type		Male GAS Threaded					
Inlet Diameter/Outlet Diameter	inch	1"1/2/1"1/2	1"1/2/1"1/2	1"1/2/1"1/2	1"1/2/1"1/2	1"1/2/1"1/2	2"/2"
<b>Weight</b>							
Shipping	kg	3.430	3.790	3.820	4.650	5.010	5.050
Operating	kg	3.580	3.930	3.960	4.900	5.260	5.290
<b>Additional weight</b>							
Desuperheater versions	kg	77	87	95	108	94	114
<b>Dimensions</b>							
Length	mm	4.600	5.700	5.700	5.700	6.700	6.700
Width	mm	2.200	2.200	2.200	2.200	2.200	2.200
Height	mm	2.510	2.510	2.510	2.510	2.510	2.510
<b>Acoustic Data</b>							
Sound power level <sup>2</sup>	dB(A)	97	98	98	98	99	99
Sound pressure level at 10 m <sup>3</sup>	dB(A)	65	66	66	66	67	67

<sup>1</sup> Data refers to 7°C leaving chilled water temperature and 35°C condenser air temperature, according EN14511 standard

<sup>2</sup> Sound levels are at fully loaded conditions. Sound power level values refer to ISO standard 3744

<sup>3</sup> Sound pressure levels refer to ISO Standard 3744, parallelepiped shape

\* High Temperature Units (HT) with inverter fans

\*\* HPF Units with high static pressure fans

**Standard, High Temperature and High Pressure Fan versions**

Model		700	750	850	950	1000	1100	1250
Nominal cooling capacity <sup>1</sup>	kW	712,9	748,2	837,8	961,8	1.019,0	1.117,9	1.249,1
Input power <sup>1</sup>	kW	223,5	238,4	262,4	288,6	312,8	340,0	394,0
EER <sup>1</sup> / Energy Efficiency Class		3,19/A	3,14/A	3,19/A	3,33/A	3,26/A	3,29/A	3,17/A
EER 75%		3,56	3,52	3,57	3,72	3,69	3,67	3,55
EER 50%		4,10	4,03	4,11	4,29	4,25	4,23	4,09
EER 25%		4,37	4,35	4,37	4,57	4,55	4,50	4,38
ESEER		3,96	3,91	3,96	4,14	4,11	4,08	3,95
SEER		4,125	4,125	4,1	4,125	4,125	4,175	4,225
η <sub>s,c</sub>		162%	162%	161%	162%	162%	164%	166%
EER* / Energy Efficiency Class*		3,22/A	3,17/A	3,22/A	3,36/A	3,29/A	3,32/A	3,19/A
ESEER*		4,00	3,95	3,99	4,17	4,15	4,12	3,97
SEER*		4,125	4,125	4,125	4,125	4,15	4,125	4,225
η <sub>s,c</sub> *		162%	162%	162%	162%	163%	162%	166%
EER**		3,00	2,97	3,01	3,14	3,06	3,09	2,98
Number of refrigerant circuits		2						
Total capacity steps	%	25-50-62-75-87-100						
<b>Compressor</b>								
Number/ Type		2/Screw						
N° of loading stages		0/50/75/100						
<b>Evaporator</b>								
Number/ Type		1/Shell&Tube						
Water flow	m <sup>3</sup> /h	123,0	129,0	144,5	165,7	175,6	192,7	215,4
Pressure drop	kPa	38	33	42	24	26	31	39,3
Water volume	l	228	276	276	379	367	356	356
Antifreeze Heater	W	300	300	300	300	300	300	300
<b>Air cooled condenser</b>								
Number of coils		14	14	16	18	20	22	24
Total coil face area per coil	m <sup>2</sup>	2,3	2,3	2,3	2,3	2,3	2,3	2,3
<b>Fans</b>								
Number of fans		14	14	16	18	20	22	24
Nominal speed	rpm	900	900	900	900	900	900	900
Total airflow	m <sup>3</sup> /h	321.840	321.840	367.920	414.000	460.080	506.160	552.240
Total input power	kW	29,4	29,4	33,6	37,8	42,0	46,2	50,4
Total input power*	kW	27,3	27,3	31,2	35,1	39,0	42,9	46,8
Total input power**	kW	43,4	43,4	49,6	55,8	62,0	68,2	74,4
External static pressure	Pa	0 - 120 Pa**						
<b>Water Connections (Evaporator)</b>								
Type		Victaulic						
Inlet Diameter/Outlet Diameter	inch	8/8	8/8	8/8	8/8	10/10	10/10	10/10
<b>Water Connections (Desuperheater)</b>								
Type		Male GAS Threaded						
Inlet Diameter/Outlet Diameter	inch	2"/2"	2"/2"	2"/2"	2"/2"	2"/2"	2"1/2/2"1/2	2"1/2/2"1/2
<b>Weight</b>								
Shipping	kg	5.430	6.330	6.690	7.380	7.850	8.240	8.650
Operating	kg	5.660	6.610	6.970	7.760	8.210	8.610	9.010
<b>Additional weight</b>								
Desuperheater versions	kg	114	126	184	184	184	207	207
<b>Dimensions</b>								
Length	mm	7.800	7.800	8.800	9.900	10.900	12.000	13.000
Width	mm	2.200	2.200	2.200	2.200	2.200	2.200	2.200
Height	mm	2.510	2.510	2.510	2.510	2.510	2.510	2.510
<b>Acoustic Data</b>								
Sound power level <sup>2</sup>	dB(A)	99	100	100	101	101	102	103
Sound pressure level at 10 m <sup>3</sup>	dB(A)	67	67	67	68	68	69	70

<sup>1</sup> Data refers to 7°C leaving chilled water temperature and 35°C condenser air temperature, according EN14511 standard

<sup>2</sup> Sound levels are at fully loaded conditions. Sound power level values refer to ISO standard 3744

<sup>3</sup> Sound pressure levels refer to ISO Standard 3744, parallelepiped shape

\* High Temperature Units (HT) with inverter fans

\*\* HPF Units with high static pressure fans

## Technical Data - SyScrew Air EVO CO R513A (STD/HT/HPF) - \_Version

### Standard, High Temperature and High Pressure Fan versions

Model		370	400	450	500	570	650
Nominal cooling capacity <sup>1</sup>	kW	360,4	410,4	441,1	497,9	556,4	619,2
Input power <sup>1</sup>	kW	118,6	137,3	151,0	168,2	186,1	208,5
EER <sup>1</sup> / Energy Efficiency Class		3,04/B	2,99/B	2,92/B	2,96/B	2,99/B	2,97/B
EER 75%		3,67	3,59	3,48	3,55	3,58	3,55
EER 50%		4,20	4,10	3,99	4,06	4,12	4,09
EER 25%		4,60	4,42	4,36	4,38	4,38	4,35
ESEER		4,09	3,98	3,88	3,94	3,97	3,94
SEER		4,10	4,10	4,10	4,10	4,10	4,10
η <sub>s,c</sub>		161%	161%	161%	161%	161%	161%
EER* / Energy Efficiency Class*		3,07/B	3,02/B	2,95/B	2,99/B	3,02/B	3,00/B
ESEER*		4,13	4,02	3,92	3,98	4,01	3,97
SEER*		4,10	4,10	4,25	4,10	4,10	4,10
η <sub>s,c</sub> *		161%	161%	167%	161%	161%	161%
EER**		2,85	2,79	2,74	2,79	2,81	2,81
Number of refrigerant circuits		2					
Total capacity steps	%	25-50-62-75-87-100					
<b>Compressor</b>							
Number/ Type		2/Screw					
N° of loading stages		0/50/75/100					
<b>Evaporator</b>							
Number/ Type		1/Shell&Tube					
Water flow	m <sup>3</sup> /h	62,1	70,7	76,0	85,8	95,9	106,8
Pressure drop	kPa	17	21	24	19	23	29
Water volume	l	149	142	142	246	246	237
Antifreeze Heater	W	200	200	200	300	300	300
<b>Air cooled condenser</b>							
Number of coils		8	10	10	10	12	12
Total coil face area per coil	m <sup>2</sup>	2,3	2,3	2,3	2,3	2,3	2,3
<b>Fans</b>							
Number of fans		8	10	10	10	12	12
Nominal speed	rpm	900	900	900	900	900	900
Total airflow	m <sup>3</sup> /h	183.960	230.040	230.040	230.040	276.120	276.120
Total input power	kW	16,8	21,0	21,0	21,0	25,2	25,2
Total input power*	kW	15,6	19,5	19,5	19,5	23,4	23,4
Total input power**	kW	24,8	31,0	31,0	31,0	37,2	37,2
External static pressure	Pa	0 - 120 Pa**					
<b>Water Connections (Evaporator)</b>							
Type		Victaulic					
Inlet Diameter/Outlet Diameter	inch	6/6	6/6	6/6	8/8	8/8	8/8
<b>Water Connections (Desuperheater)</b>							
Type		Male GAS Threaded					
Inlet Diameter/Outlet Diameter	inch	1"1/2/1"1/2	1"1/2/1"1/2	1"1/2/1"1/2	1"1/2/1"1/2	1"1/2/1"1/2	2"1/2"
<b>Weight</b>							
Shipping	kg	3.430	3.790	3.820	4.650	5.010	5.050
Operating	kg	3.580	3.930	3.960	4.900	5.260	5.290
<b>Additional weight</b>							
Desuperheater versions	kg	77	87	95	108	94	114
<b>Dimensions</b>							
Length	mm	4.600	5.700	5.700	5.700	6.700	6.700
Width	mm	2.200	2.200	2.200	2.200	2.200	2.200
Height	mm	2.510	2.510	2.510	2.510	2.510	2.510
<b>Acoustic Data</b>							
Sound power level <sup>2</sup>	dB(A)	97	98	98	98	99	99
Sound pressure level at 10 m <sup>3</sup>	dB(A)	65	66	66	66	67	67

<sup>1</sup> Data refers to 7°C leaving chilled water temperature and 35°C condenser air temperature, according EN14511 standard

<sup>2</sup> Sound levels are at fully loaded conditions. Sound power level values refer to ISO standard 3744

<sup>3</sup> Sound pressure levels refer to ISO Standard 3744, parallelepiped shape

\* High Temperature Units (HT) with inverter fans

\*\* HPF Units with high static pressure fans



**Standard, High Temperature and High Pressure Fan versions**

Model		700	750	850	950	1000	1100	1250
Nominal cooling capacity <sup>1</sup>	kW	705,8	740,8	829,4	952,1	1008,8	1106,7	1236,6
Input power <sup>1</sup>	kW	235,3	251,1	276,5	304,2	329,7	358,2	415,0
EER <sup>1</sup> / Energy Efficiency Class		3,00/B	2,95/B	3,00/B	3,13/B	3,06/B	3,09/B	2,98/B
EER 75%		3,58	3,54	3,59	3,74	3,71	3,69	3,57
EER 50%		4,12	4,05	4,13	4,31	4,27	4,25	4,11
EER 25%		4,39	4,37	4,39	4,59	4,57	4,52	4,40
ESEER		3,98	3,93	3,98	4,16	4,12	4,10	3,97
SEER		4,10	4,10	4,10	4,10	4,10	4,10	4,13
η <sub>s,c</sub>		161%	161%	161%	161%	161%	161%	162%
EER* / Energy Efficiency Class*		3,03/B	2,97/B	3,03/B	3,16/A	3,09/B	3,12/A	3,01/B
ESEER*		4,02	3,96	4,01	4,20	4,16	4,14	4,00
SEER*		4,10	4,10	4,10	4,10	4,10	4,10	4,13
η <sub>s,c</sub> *		161%	161%	161%	161%	161%	161%	162%
EER**		2,83	2,79	2,84	2,96	2,89	2,91	2,82
Number of refrigerant circuits		2						
Total capacity steps	%	25-50-62-75-87-100						
<b>Compressor</b>								
Number/ Type		2/Screw						
N° of loading stages		0/50/75/100						
<b>Evaporator</b>								
Number/ Type		1/Shell&Tube						
Water flow	m <sup>3</sup> /h	121,8	127,7	143,1	164,1	173,9	190,8	213,3
Pressure drop	kPa	38	33	42	24	26	31	39
Water volume	l	228	276	276	379	367	356	356
Antifreeze Heater	W	300	300	300	300	300	300	300
<b>Air cooled condenser</b>								
Number of coils		14	14	16	18	20	22	24
Total coil face area per coil	m <sup>2</sup>	2,3	2,3	2,3	2,3	2,3	2,3	2,3
<b>Fans</b>								
Number of fans		14	14	16	18	20	22	24
Nominal speed	rpm	900	900	900	900	900	900	900
Total airflow	m <sup>3</sup> /h	321.840	321.840	367.920	414.000	460.080	506.160	552.240
Total input power	kW	29,4	29,4	33,6	37,8	42,0	46,2	50,4
Total input power*	kW	27,3	27,3	31,2	35,1	39,0	42,9	46,8
Total input power**	kW	43,4	43,4	49,6	55,8	62,0	68,2	74,4
External static pressure	Pa	0 - 120 Pa**						
<b>Water Connections (Evaporator)</b>								
Type		Victaulic						
Inlet Diameter/Outlet Diameter	inch	8/8	8/8	8/8	8/8	10/10	10/10	10/10
<b>Water Connections (Desuperheater)</b>								
Type		Male GAS Threaded						
Inlet Diameter/Outlet Diameter	inch	2"/2"	2"/2"	2"/2"	2"/2"	2"1/2/2"1/2	2"1/2/2"1/2	2"1/2/2"1/2
<b>Weight</b>								
Shipping	kg	5.430	6.330	6.690	7.380	7.850	8.240	8.650
Operating	kg	5.660	6.610	6.970	7.760	8.210	8.610	9.010
<b>Additional weight</b>								
Desuperheater versions	kg	114	126	184	184	184	207	207
<b>Dimensions</b>								
Length	mm	7.800	7.800	8.800	9.900	10.900	12.000	13.000
Width	mm	2.200	2.200	2.200	2.200	2.200	2.200	2.200
Height	mm	2.510	2.510	2.510	2.510	2.510	2.510	2.510
<b>Acoustic Data</b>								
Sound power level <sup>2</sup>	dB(A)	99	100	100	101	101	102	103
Sound pressure level at 10 m <sup>3</sup>	dB(A)	67	67	67	68	68	69	70

<sup>1</sup> Data refers to 7°C leaving chilled water temperature and 35°C condenser air temperature, according EN14511 standard

<sup>2</sup> Sound levels are at fully loaded conditions. Sound power level values refer to ISO standard 3744

<sup>3</sup> Sound pressure levels refer to ISO Standard 3744, parallelepiped shape

\* High Temperature Units (HT) with inverter fans

\*\* HPF Units with high static pressure fans

## Technical Data - SyScrew Air EVO CO\_L R134a (STD)

### Standard and Inverter Fans versions

Model		370	400	450	500	570	650
Nominal cooling capacity <sup>1</sup>	kW	354,6	401,7	438,5	478,8	547,5	610,5
Input power <sup>1</sup>	kW	111,8	126,4	142,5	159,0	176,4	199,6
EER <sup>1</sup> / Energy Efficiency Class		3,17/A	3,18/A	3,08/B	3,01/B	3,10/A	3,06/B
EER 75%		3,70	3,68	3,57	3,50	3,60	3,55
EER 50%		4,29	4,25	4,09	4,09	4,12	4,06
EER 25%		4,34	4,93	4,90	4,69	4,94	4,87
ESEER		4,07	4,19	4,07	4,00	4,11	4,05
SEER		4,225	4,275	4,25	4,2	4,2	4,1
η <sub>s,c</sub>		166%	168%	167%	165%	165%	161%
Number of refrigerant circuits		2					
Total capacity steps	%	25-50-62-75-87-100					
<b>Compressor</b>							
Number		2					
Type		Screw					
N°of loading stages		0/50/75/100					
<b>Evaporator</b>							
Number		1					
Type		Shell & tube					
Water flow	m <sup>3</sup> /h	61,1	69,2	75,6	82,5	94,3	105,3
Pressure drop	kPa	16	20	24	17	22	28
Water volume	l	149	142	142	246	246	237
Antifreeze Heater	W	200	200	200	300	300	300
<b>Air cooled condenser</b>							
Number of coils		8	10	10	10	12	12
Total coil face area per coil	m <sup>2</sup>	2,3	2,3	2,3	2,3	2,3	2,3
<b>Fans</b>							
Number of fans		8	10	10	10	12	12
Nominal speed	rpm	700	700	700	700	700	700
Total airflow	m <sup>3</sup> /h	152.640	191.160	191.160	191.160	229.320	229.320
Total input power	kW	9,2	11,5	11,5	11,5	13,8	13,8
Total input power*	kW	6,6	8,2	8,2	8,2	9,8	9,8
<b>Water Connections (Evaporator)</b>							
Type		Victaulic					
Inlet Diameter	inch	6	6	6	8	8	8
Outlet Diameter	inch	6	6	6	8	8	8
<b>Water Connections (Desuperheater)</b>							
Type		Male GAS Threaded					
Inlet Diameter	inch	1" 1/2	1" 1/2	1" 1/2	1" 1/2	1" 1/2	2"
Outlet Diameter	inch	1" 1/2	1" 1/2	1" 1/2	1" 1/2	1" 1/2	2"
<b>Weight</b>							
Shipping	kg	3.430	3.790	3.820	4.650	5.010	5.050
Operating	kg	3.580	3.930	3.960	4.900	5.260	5.290
<b>Additional weight</b>							
Desuperheater versions	kg	77	87	95	108	94	114
<b>Dimensions</b>							
Length	mm	4.600	5.700	5.700	5.700	6.700	6.700
Width	mm	2.200	2.200	2.200	2.200	2.200	2.200
Height	mm	2.510	2.510	2.510	2.510	2.510	2.510
<b>Acoustic Data</b>							
Sound power level <sup>2</sup>	dB(A)	91	92	92	92	93	93
Sound pressure level at 10 m <sup>3</sup>	dB(A)	59	60	60	60	61	61

<sup>1</sup> Data refers to 7°C leaving chilled water temperature and 35°C condenser air temperature, according EN14511 standard.

<sup>2</sup> Sound levels are at fully loaded conditions. Sound power level values refer to ISO standard 3744.

<sup>3</sup> Sound pressure levels refer to ISO Standard 3744, parallelepiped shape.

**Standard and Inverter Fans versions**

Model		700	750	850	950	1000	1100	1250
Nominal cooling capacity <sup>1</sup>	kW	702,3	722,2	814,4	922,4	981,4	1.086,0	1.213,9
Input power <sup>1</sup>	kW	224,3	237,7	264,2	288,3	309,8	339,3	395,9
EER <sup>1</sup> / Energy Efficiency Class		3,13/A	3,04/B	3,08/B	3,20/A	3,17/A	3,20/A	3,07/A
EER 75%		3,63	3,53	3,58	3,71	3,68	3,71	3,55
EER 50%		4,16	4,12	4,09	4,25	4,30	4,25	4,07
EER 25%		4,98	4,74	4,91	5,09	4,94	5,09	4,88
ESEER		4,14	4,04	4,08	4,23	4,21	4,24	4,06
SEER		4,1	4,1	4,1	4,1	4,175	4,225	4,375
η <sub>s,c</sub>		161%	161%	161%	161%	164%	166%	172%
Number of refrigerant circuits		2						
Total capacity steps	%	25-50-62-75-87-100						
<b>Compressor</b>								
Number		2						
Type		Screw						
N°of loading stages		0/50/75/100						
<b>Evaporator</b>								
Number		1						
Type		Shell & tube						
Water flow	m <sup>3</sup> /h	121,1	124,5	140,5	158,9	169,1	187,2	215,4
Pressure drop	kPa	37	31	39	22	24	30	39,3
Water volume	l	228	276	276	379	367	356	356
Antifreeze Heater	W	300	300	300	300	300	300	300
<b>Air cooled condenser</b>								
Number of coils		14	14	16	18	20	22	24
Total coil face area per coil	m <sup>2</sup>	2,3	2,3	2,3	2,3	2,3	2,3	2,3
<b>Fans</b>								
Number of fans		14	14	16	18	20	22	24
Nominal speed	rpm	700	700	700	700	700	700	700
Total airflow	m <sup>3</sup> /h	267.480	267.480	305.640	343.800	381.960	420.120	458.280
Total input power	kW	16,1	16,1	18,4	20,7	23,0	25,3	27,6
Total input power*	kW	11,5	11,5	13,1	14,8	16,4	18,0	19,7
<b>Water Connections (Evaporator)</b>								
Type		Victaulic						
Inlet Diameter	inch	8	8	8	8	10	10	10
Outlet Diameter	inch	8	8	8	8	10	10	10
<b>Water Connections (Desuperheater)</b>								
Type		Male GAS Threaded						
Inlet Diameter	inch	2"	2"	2"	2"	2"	2" 1/2	2" 1/2
Outlet Diameter	inch	2"	2"	2"	2"	2"	2" 1/2	2" 1/2
<b>Weight</b>								
Shipping	kg	5.430	6.330	6.690	7.380	7.850	8.240	8.650
Operating	kg	5.660	6.610	6.970	7.760	8.210	8.610	9.010
<b>Additional weight</b>								
Desuperheater versions	kg	114	126	184	184	184	207	207
<b>Dimensions</b>								
Length	mm	7.800	7.800	8.800	9.900	10.900	12.000	13.000
Width	mm	2.200	2.200	2.200	2.200	2.200	2.200	2.200
Height	mm	2.510	2.510	2.510	2.510	2.510	2.510	2.510
<b>Acoustic Data</b>								
Sound power level <sup>2</sup>	dB(A)	94	94	94	95	95	96	103
Sound pressure level at 10 m <sup>3</sup>	dB(A)	61	61	61	62	62	63	70

<sup>1</sup> Data refers to 7°C leaving chilled water temperature and 35°C condenser air temperature, according EN14511 standard.

<sup>2</sup> Sound levels are at fully loaded conditions. Sound power level values refer to ISO standard 3744.

<sup>3</sup> Sound pressure levels refer to ISO Standard 3744, parallelepiped shape.

## Technical Data - SyScrew Air EVO CO\_L R513A (STD-EC)

### Standard and Inverter Fans versions

Model		370	400	450	500	570	650
Nominal cooling capacity <sup>1</sup>	kW	351,1	397,7	434,2	474,0	542,0	604,4
Input power <sup>1</sup>	kW	117,8	133,0	149,7	167,5	186,3	209,9
EER <sup>1</sup> / Energy Efficiency Class		2,98/B	2,99/B	2,90/B	2,83/C	2,91/B	2,88/C
EER 75%		3,72	3,70	3,59	3,52	3,62	3,57
EER 50%		4,31	4,27	4,11	4,11	4,14	4,08
EER 25%		4,36	4,95	4,92	4,71	4,96	4,89
ESEER		4,09	4,20	4,09	4,02	4,12	4,06
SEER		4,14	4,20	4,18	4,13	4,13	4,10
$\eta_{s,c}$		163%	165%	164%	162%	162%	161%
EER <sup>*</sup> /Energy Efficiency Class <sup>*</sup>		3,05/B	3,07/B	2,97/B	2,89/C	2,97/B	2,94/B
ESEER <sup>*</sup>		4,18	4,31	4,18	4,10	4,21	4,14
SEER <sup>*</sup>		4,24	4,31	4,27	4,21	4,22	4,18
$\eta_{s,c}^*$		166%	169%	168%	166%	166%	164%
Number of refrigerant circuits		2					
Total capacity steps	%	25-50-62-75-87-100					
<b>Compressor</b>							
Number		2					
Type		Screw					
N°of loading stages		0/50/75/100					
<b>Evaporator</b>							
Number		1					
Type		Shell & tube					
Water flow	m <sup>3</sup> /h	60,5	68,5	74,8	81,7	93,4	104,2
Pressure drop	kPa	16	20	24	17	22	28
Water volume	l	149	142	142	246	246	237
Antifreeze Heater	W	200	200	200	300	300	300
<b>Air cooled condenser</b>							
Number of coils		8	10	10	10	12	12
Total coil face area per coil	m <sup>2</sup>	2,3	2,3	2,3	2,3	2,3	2,3
<b>Fans</b>							
Number of fans		8	10	10	10	12	12
Nominal speed	rpm	700	700	700	700	700	700
Total airflow	m <sup>3</sup> /h	152.640	191.160	191.160	191.160	229.320	229.320
Total input power	kW	9,2	11,5	11,5	11,5	13,8	13,8
Total input power <sup>*</sup>	kW	6,6	8,2	8,2	8,2	9,8	9,8
<b>Water Connections (Evaporator)</b>							
Type		Victaulic					
Inlet Diameter	inch	6	6	6	8	8	8
Outlet Diameter	inch	6	6	6	8	8	8
<b>Water Connections (Desuperheater)</b>							
Type		Male GAS Threaded					
Inlet Diameter	inch	1" 1/2	1" 1/2	1" 1/2	1" 1/2	1" 1/2	2"
Outlet Diameter	inch	1" 1/2	1" 1/2	1" 1/2	1" 1/2	1" 1/2	2"
<b>Weight</b>							
Shipping	kg	3.430	3.790	3.820	4.650	5.010	5.050
Operating	kg	3.580	3.930	3.960	4.900	5.260	5.290
<b>Additional weight</b>							
Desuperheater versions	kg	77	87	95	108	94	114
<b>Dimensions</b>							
Length	mm	4.600	5.700	5.700	5.700	6.700	6.700
Width	mm	2.200	2.200	2.200	2.200	2.200	2.200
Height	mm	2.510	2.510	2.510	2.510	2.510	2.510
<b>Acoustic Data</b>							
Sound power level <sup>2</sup>	dB(A)	91	92	92	92	93	93
Sound pressure level at 10 m <sup>3</sup>	dB(A)	59	60	60	60	61	61

<sup>1</sup> Data refers to 7°C leaving chilled water temperature and 35°C condenser air temperature, according EN14511 standard.

<sup>2</sup> Sound levels are at fully loaded conditions. Sound power level values refer to ISO standard 3744.

<sup>3</sup> Sound pressure levels refer to ISO Standard 3744, parallelepiped shape.

<sup>\*</sup> High Efficiency Units (EC) with inverter fans.

**Standard and Inverter Fans versions**

Model		700	750	850	950	1000	1100	1250
Nominal cooling capacity <sup>1</sup>	kW	695,2	714,9	806,3	913,2	971,6	1075,2	1201,7
Input power <sup>1</sup>	kW	236,5	250,0	278,0	303,4	326,0	357,2	415,9
EER <sup>1</sup> / Energy Efficiency Class		2,94/B	2,86/C	2,90/B	3,01/B	2,98/B	3,01/B	2,89/C
EER 75%		3,65	3,55	3,60	3,73	3,70	3,73	3,57
EER 50%		4,18	4,14	4,11	4,27	4,32	4,27	4,09
EER 25%		5,00	4,76	4,93	5,12	4,96	5,12	4,90
ESEER		4,16	4,05	4,09	4,25	4,22	4,25	4,07
SEER		4,10	4,10	4,10	4,10	4,10	4,15	4,28
η <sub>s,c</sub>		161%	161%	161%	161%	161%	163%	168%
EER <sup>*</sup> /Energy Efficiency Class <sup>*</sup>		3,00/B	2,91/B	2,96/B	3,07/B	3,04/B	3,07/B	2,95/B
ESEER <sup>*</sup>		4,24	4,13	4,17	4,33	4,31	4,34	4,15
SEER <sup>*</sup>		4,18	4,18	4,18	4,18	4,18	4,24	4,36
η <sub>s,c</sub> <sup>*</sup>		164%	164%	164%	164%	164%	166%	172%
Number of refrigerant circuits		2						
Total capacity steps	%	25-50-62-75-87-100						
<b>Compressor</b>								
Number		2						
Type		Screw						
N°of loading stages		0/50/75/100						
<b>Evaporator</b>								
Number		1						
Type		Shell & tube						
Water flow	m <sup>3</sup> /h	119,9	123,3	139,1	157,4	167,4	185,3	207,3
Pressure drop	kPa	37	31	40	22	24	30	37
Water volume	l	228	276	276	379	367	356	356
Antifreeze Heater	W	300	300	300	300	300	300	300
<b>Air cooled condenser</b>								
Number of coils		14	14	16	18	20	22	24
Total coil face area per coil	m <sup>2</sup>	2,3	2,3	2,3	2,3	2,3	2,3	2,3
<b>Fans</b>								
Number of fans		14	14	16	18	20	22	24
Nominal speed	rpm	700	700	700	700	700	700	700
Total airflow	m <sup>3</sup> /h	267.480	267.480	305.640	343.800	381.960	420.120	458.280
Total input power	kW	16,1	16,1	18,4	20,7	23,0	25,3	27,6
Total input power <sup>*</sup>	kW	11,5	11,5	13,1	14,8	16,4	18,0	19,7
<b>Water Connections (Evaporator)</b>								
Type		Victaulic						
Inlet Diameter	inch	8	8	8	8	10	10	10
Outlet Diameter	inch	8	8	8	8	10	10	10
<b>Water Connections (Desuperheater)</b>								
Type		Male GAS Threaded						
Inlet Diameter	inch	2"	2"	2"	2"	2"	2" 1/2	2" 1/2
Outlet Diameter	inch	2"	2"	2"	2"	2"	2" 1/2	2" 1/2
<b>Weight</b>								
Shipping	kg	5.430	6.330	6.690	7.380	7.850	8.240	8.650
Operating	kg	5.660	6.610	6.970	7.760	8.210	8.610	9.010
<b>Additional weight</b>								
Desuperheater versions	kg	114	126	184	184	184	207	207
<b>Dimensions</b>								
Length	mm	7.800	7.800	8.800	9.900	10.900	12.000	13.000
Width	mm	2.200	2.200	2.200	2.200	2.200	2.200	2.200
Height	mm	2.510	2.510	2.510	2.510	2.510	2.510	2.510
<b>Acoustic Data</b>								
Sound power level <sup>2</sup>	dB(A)	94	94	94	95	95	96	97
Sound pressure level at 10 m <sup>3</sup>	dB(A)	61	61	61	62	62	63	64

<sup>1</sup> Data refers to 7°C leaving chilled water temperature and 35°C condenser air temperature, according EN14511 standard.

<sup>2</sup> Sound levels are at fully loaded conditions. Sound power level values refer to ISO standard 3744.

<sup>3</sup> Sound pressure levels refer to ISO Standard 3744, parallelepiped shape.

<sup>\*</sup> High Efficiency Units (EC) with inverter fans.

## Technical Data - SyScrew Air EVO CO\_S R134a (STD)

### Standard and Inverter Fans versions

Model		370	400	450	500	570	650
Nominal cooling capacity <sup>1</sup>	kW	354,6	401,7	438,5	478,8	547,5	610,5
Input power <sup>1</sup>	kW	111,8	126,4	142,5	159,0	176,4	199,6
EER <sup>1</sup> / Energy Efficiency Class		3,17/A	3,18/A	3,08/B	3,01/B	3,10/A	3,06/B
EER 75%		3,70	3,68	3,57	3,50	3,60	3,55
EER 50%		4,29	4,25	4,09	4,09	4,12	4,06
EER 25%		4,34	4,93	4,90	4,69	4,94	4,87
ESEER		4,07	4,19	4,07	4,00	4,11	4,05
SEER		4,1	4,1	4,125	4,125	4,125	4,125
η <sub>s,c</sub>		161%	161%	162%	162%	162%	162%
Number of refrigerant circuits		2					
Total capacity steps	%	25-50-62-75-87-100					
<b>Compressor</b>							
Number		2					
Type		Screw					
N°of loading stages		0/50/75/100					
<b>Evaporator</b>							
Number		1					
Type		Shell & tube					
Water flow	m <sup>3</sup> /h	61,1	69,2	75,6	82,5	94,3	105,3
Pressure drop	kPa	16	20	24	17	22	28
Water volume	l	149	142	142	246	246	237
Antifreeze Heater	W	200	200	200	300	300	300
<b>Air cooled condenser</b>							
Number of coils		8	10	10	10	12	12
Total coil face area per coil	m <sup>2</sup>	2,3	2,3	2,3	2,3	2,3	2,3
<b>Fans</b>							
Number of fans		8	10	10	10	12	12
Nominal speed	rpm	700	700	700	700	700	700
Total airflow	m <sup>3</sup> /h	152.640	191.160	191.160	191.160	229.320	229.320
Total input power	kW	9,2	11,5	11,5	11,5	13,8	13,8
Total input power*	kW	6,6	8,2	8,2	8,2	9,8	9,8
<b>Water Connections (Evaporator)</b>							
Type		Victaulic					
Inlet Diameter	inch	6	6	6	8	8	8
Outlet Diameter	inch	6	6	6	8	8	8
<b>Water Connections (Desuperheater)</b>							
Type		Male GAS Threaded					
Inlet Diameter	inch	1" 1/2	1" 1/2	1" 1/2	1" 1/2	1" 1/2	2"
Outlet Diameter	inch	1" 1/2	1" 1/2	1" 1/2	1" 1/2	1" 1/2	2"
<b>Weight</b>							
Shipping	kg	3.510	3.880	3.910	4.740	5.090	5.130
Operating	kg	3.660	4.030	4.050	4.990	5.340	5.370
<b>Additional weight</b>							
Desuperheater versions	kg	77	87	95	108	94	114
<b>Dimensions</b>							
Length	mm	4.600	5.700	5.700	5.700	6.700	6.700
Width	mm	2.200	2.200	2.200	2.200	2.200	2.200
Height	mm	2.610	2.610	2.610	2.610	2.610	2.610
<b>Acoustic Data</b>							
Sound power level <sup>2</sup>	dB(A)	87	88	88	88	89	89
Sound pressure level at 10 m <sup>3</sup>	dB(A)	55	56	56	56	57	57

<sup>1</sup> Data refers to 7°C leaving chilled water temperature and 35°C condenser air temperature, according EN14511 standard.

<sup>2</sup> Sound levels are at fully loaded conditions. Sound power level values refer to ISO standard 3744.

<sup>3</sup> Sound pressure levels refer to ISO Standard 3744, parallelepiped shape.

**Standard and Inverter Fans versions**

Model		700	750	850	950	1000	1100	1250
Nominal cooling capacity <sup>1</sup>	kW	702,3	722,2	814,4	922,4	981,4	1.086,0	1.213,9
Input power <sup>1</sup>	kW	224,3	237,7	264,2	288,3	309,8	339,3	395,9
EER <sup>1</sup> / Energy Efficiency Class		3,13/A	3,04/B	3,08/B	3,20/A	3,17/A	3,20/A	3,07/A
EER 75%		3,63	3,53	3,58	3,71	3,68	3,71	3,55
EER 50%		4,16	4,12	4,09	4,25	4,30	4,25	4,07
EER 25%		4,98	4,74	4,91	5,09	4,94	5,09	4,88
ESEER		4,14	4,04	4,08	4,23	4,21	4,24	4,06
SEER		4,125	4,125	4,125	4,1	4,125	4,125	4,25
η <sub>s,c</sub>		162%	162%	162%	161%	162%	162%	167%
Number of refrigerant circuits		2						
Total capacity steps	%	25-50-62-75-87-100						
<b>Compressor</b>								
Number		2						
Type		Screw						
N°of loading stages		0/50/75/100						
<b>Evaporator</b>								
Number		1						
Type		Shell & tube						
Water flow	m <sup>3</sup> /h	121,1	124,5	140,5	158,9	169,1	187,2	215,4
Pressure drop	kPa	36	31	39	22	24	30	37,1
Water volume	l	228	276	276	379	367	356	356
Antifreeze Heater	W	300	300	300	300	300	300	300
<b>Air cooled condenser</b>								
Number of coils		14	14	16	18	20	22	24
Total coil face area per coil	m <sup>2</sup>	2,3	2,3	2,3	2,3	2,3	2,3	2,3
<b>Fans</b>								
Number of fans		14	14	16	18	20	22	24
Nominal speed	rpm	700	700	700	700	700	700	700
Total airflow	m <sup>3</sup> /h	267.480	267.480	305.640	343.800	381.960	420.120	458.280
Total input power	kW	16,1	16,1	18,4	20,7	23,0	25,3	27,6
Total input power*	kW	11,5	11,5	13,1	14,8	16,4	18,0	19,7
<b>Water Connections (Evaporator)</b>								
Type		Victaulic						
Inlet Diameter	inch	8	8	8	8	10	10	10
Outlet Diameter	inch	8	8	8	8	10	10	10
<b>Water Connections (Desuperheater)</b>								
Type		Male GAS Threaded						
Inlet Diameter	inch	2"	2"	2"	2"	2"	2" 1/2	2" 1/2
Outlet Diameter	inch	2"	2"	2"	2"	2"	2" 1/2	2" 1/2
<b>Weight</b>								
Shipping	kg	5.510	6.420	6.780	7.470	7.930	8.330	8.730
Operating	kg	5.740	6.690	7.050	7.850	8.300	8.700	9.100
<b>Additional weight</b>								
Desuperheater versions	kg	114	126	184	184	184	207	207
<b>Dimensions</b>								
Length	mm	7.800	7.800	8.800	9.900	10.900	12.000	13.000
Width	mm	2.200	2.200	2.200	2.200	2.200	2.200	2.200
Height	mm	2.610	2.610	2.610	2.610	2.610	2.610	2.610
<b>Acoustic Data</b>								
Sound power level <sup>2</sup>	dB(A)	90	90	90	91	91	92	93
Sound pressure level at 10 m <sup>3</sup>	dB(A)	57	57	57	58	58	59	60

<sup>1</sup> Data refers to 7°C leaving chilled water temperature and 35°C condenser air temperature, according EN14511 standard.

<sup>2</sup> Sound levels are at fully loaded conditions. Sound power level values refer to ISO standard 3744.

<sup>3</sup> Sound pressure levels refer to ISO Standard 3744, parallelepiped shape..

## Technical Data - SyScrew Air EVO CO\_S R513A (STD-EC)

### Standard and Inverter Fans versions

Model		370	400	450	500	570	650
Nominal cooling capacity <sup>1</sup>	kW	354,6	401,7	438,5	478,8	547,5	610,5
Input power <sup>1</sup>	kW	117,8	133,0	149,7	167,5	186,3	209,9
EER <sup>1</sup> / Energy Efficiency Class		2,98/B	2,99/B	2,90/B	2,83/C	2,91/B	2,88/C
EER 75%		3,72	3,70	3,59	3,52	3,62	3,57
EER 50%		4,31	4,27	4,11	4,11	4,14	4,08
EER 25%		4,36	4,95	4,92	4,71	4,96	4,89
ESEER		4,09	4,20	4,09	4,02	4,12	4,06
SEER		4,10	4,10	4,10	4,10	4,10	4,10
η <sub>s,c</sub>		161%	161%	161%	161%	161%	161%
EER <sup>*</sup> /Energy Efficiency Class <sup>*</sup>		3,05/B	3,07/B	2,97/B	2,89/C	2,97/B	2,94/B
ESEER <sup>*</sup>		4,18	4,31	4,18	4,10	4,21	4,14
SEER <sup>*</sup>		4,19	4,20	4,19	4,18	4,19	4,18
η <sub>s,c</sub> <sup>*</sup>		165%	165%	165%	164%	165%	164%
Number of refrigerant circuits		2					
Total capacity steps	%	25-50-62-75-87-100					
<b>Compressor</b>							
Number		2					
Type		Screw					
N°of loading stages		0/50/75/100					
<b>Evaporator</b>							
Number		1					
Type		Shell & tube					
Water flow	m <sup>3</sup> /h	60,5	68,5	74,8	81,7	93,4	104,2
Pressure drop	kPa	16	20	24	17	22	28
Water volume	l	149	142	142	246	246	237
Antifreeze Heater	W	200	200	200	300	300	300
<b>Air cooled condenser</b>							
Number of coils		8	10	10	10	12	12
Total coil face area per coil	m <sup>2</sup>	2,3	2,3	2,3	2,3	2,3	2,3
<b>Fans</b>							
Number of fans		8	10	10	10	12	12
Nominal speed	rpm	700	700	700	700	700	700
Total airflow	m <sup>3</sup> /h	152.640	191.160	191.160	191.160	229.320	229.320
Total input power	kW	9,2	11,5	11,5	11,5	13,8	13,8
Total input power <sup>*</sup>	kW	6,6	8,2	8,2	8,2	9,8	9,8
<b>Water Connections (Evaporator)</b>							
Type		Victaulic					
Inlet Diameter	inch	6	6	6	8	8	8
Outlet Diameter	inch	6	6	6	8	8	8
<b>Water Connections (Desuperheater)</b>							
Type		Male GAS Threaded					
Inlet Diameter	inch	1" 1/2	1" 1/2	1" 1/2	1" 1/2	1" 1/2	2"
Outlet Diameter	inch	1" 1/2	1" 1/2	1" 1/2	1" 1/2	1" 1/2	2"
<b>Weight</b>							
Shipping	kg	3.510	3.880	3.910	4.740	5.090	5.130
Operating	kg	3.660	4.030	4.050	4.990	5.340	5.370
<b>Additional weight</b>							
Desuperheater versions	kg	77	87	95	108	94	114
<b>Dimensions</b>							
Length	mm	4.600	5.700	5.700	5.700	6.700	6.700
Width	mm	2.200	2.200	2.200	2.200	2.200	2.200
Height	mm	2.610	2.610	2.610	2.610	2.610	2.610
<b>Acoustic Data</b>							
Sound power level <sup>2</sup>	dB(A)	87	88	88	88	89	89
Sound pressure level at 10 m <sup>3</sup>	dB(A)	55	56	56	56	57	57

<sup>1</sup> Data refers to 7°C leaving chilled water temperature and 35°C condenser air temperature, according EN14511 standard.

<sup>2</sup> Sound levels are at fully loaded conditions. Sound power level values refer to ISO standard 3744.

<sup>3</sup> Sound pressure levels refer to ISO Standard 3744, parallelepiped shape.

<sup>\*</sup> High Efficiency Units (EC) with inverter fans.



**Standard and Inverter Fans versions**

Model		700	750	850	950	1000	1100	1250
Nominal cooling capacity <sup>1</sup>	kW	702,3	722,2	814,4	922,4	981,4	1.086,0	1.213,9
Input power <sup>1</sup>	kW	236,5	250,0	278,0	303,4	326,0	357,2	416,0
EER <sup>1</sup> / Energy Efficiency Class		2,94/B	2,86/C	2,90/B	3,01/B	2,98/B	3,01/B	2,89/C
EER 75%		3,65	3,55	3,60	3,73	3,70	3,73	3,57
EER 50%		4,18	4,14	4,11	4,27	4,32	4,27	4,09
EER 25%		5,00	4,76	4,93	5,12	4,96	5,12	4,90
ESEER		4,16	4,05	4,09	4,25	4,22	4,25	4,07
SEER		4,10	4,10	4,10	4,10	4,10	4,10	4,18
η <sub>s,c</sub>		161%	161%	161%	161%	161%	161%	164%
EER <sup>*</sup> /Energy Efficiency Class <sup>*</sup>		3,00/B	2,91/B	2,96/B	3,07/B	3,04/B	3,07/B	2,94/B
ESEER <sup>*</sup>		4,24	4,13	4,17	4,33	4,31	4,34	4,15
SEER <sup>*</sup>		4,18	4,18	4,18	4,18	4,18	4,19	4,26
η <sub>s,c</sub> <sup>*</sup>		164%	164%	164%	164%	164%	164%	167%
Number of refrigerant circuits		2						
Total capacity steps	%	25-50-62-75-87-100						
<b>Compressor</b>								
Number		2						
Type		Screw						
N°of loading stages		0/50/75/100						
<b>Evaporator</b>								
Number		1						
Type		Shell & tube						
Water flow	m <sup>3</sup> /h	119,9	123,3	139,1	157,4	167,4	185,3	207,3
Pressure drop	kPa	37	31	40	22	24	30	39
Water volume	l	228	276	276	379	367	356	356
Antifreeze Heater	W	300	300	300	300	300	300	300
<b>Air cooled condenser</b>								
Number of coils		14	14	16	18	20	22	24
Total coil face area per coil	m <sup>2</sup>	2,3	2,3	2,3	2,3	2,3	2,3	2,3
<b>Fans</b>								
Number of fans		14	14	16	18	20	22	24
Nominal speed	rpm	700	700	700	700	700	700	700
Total airflow	m <sup>3</sup> /h	267.480	267.480	305.640	343.800	381.960	420.120	458.280
Total input power	kW	16,1	16,1	18,4	20,7	23,0	25,3	27,6
Total input power <sup>*</sup>	kW	11,5	11,5	13,1	14,8	16,4	18,0	19,7
<b>Water Connections (Evaporator)</b>								
Type		Victaulic						
Inlet Diameter	inch	8	8	8	8	10	10	10
Outlet Diameter	inch	8	8	8	8	10	10	10
<b>Water Connections (Desuperheater)</b>								
Type		Male GAS Threaded						
Inlet Diameter	inch	2"	2"	2"	2"	2"	2" 1/2	2" 1/2
Outlet Diameter	inch	2"	2"	2"	2"	2"	2" 1/2	2" 1/2
<b>Weight</b>								
Shipping	kg	5.510	6.420	6.780	7.470	7.930	8.330	8.730
Operating	kg	5.740	6.690	7.050	7.850	8.300	8.700	9.100
<b>Additional weight</b>								
Desuperheater versions	kg	114	126	184	184	184	207	207
<b>Dimensions</b>								
Length	mm	7.800	7.800	8.800	9.900	10.900	12.000	13.000
Width	mm	2.200	2.200	2.200	2.200	2.200	2.200	2.200
Height	mm	2.610	2.610	2.610	2.610	2.610	2.610	2.610
<b>Acoustic Data</b>								
Sound power level <sup>2</sup>	dB(A)	90	90	90	91	91	92	93
Sound pressure level at 10 m <sup>3</sup>	dB(A)	57	57	57	58	58	59	60

<sup>1</sup> Data refers to 7°C leaving chilled water temperature and 35°C condenser air temperature, according EN14511 standard.

<sup>2</sup> Sound levels are at fully loaded conditions. Sound power level values refer to ISO standard 3744.

<sup>3</sup> Sound pressure levels refer to ISO Standard 3744, parallelepiped shape.

<sup>\*</sup> High Efficiency Units (EC) with inverter fans.

## Electrical Data

### Compressors @ 400V/3/50Hz

Model	System	Frame	Compressor start mode	Power input nominal Cond. compressor		Nom. Cond. current compressor		Power input max. Cond. compressor		Max. running current compressor FLA	Starting current compressor LRA	Carter oil 230Vac	Nominal power factor
				kW		A		kW		A	A	W	
				R134a	R513A	R134a	R513A	R134a	R134a	R134a	R134a	R134a	
370	1	4V	PW	49	52	84	89	88	144	350	200	0,84	
	2			49	52	84	89	88	144	350	200	0,84	
400	1	5V	PW	56	58	92	96	96	162	423	200	0,87	
	2			56	58	92	96	96	162	423	200	0,87	
450	1	5V	PW	61	66	100	107	96	162	423	200	0,89	
	2			61	66	100	107	96	162	423	200	0,89	
500	1	5V	PW	68	75	116	126	110	182	520	300	0,85	
	2			68	75	116	126	110	182	520	300	0,85	
570	1	6V	PW	75	82	126	136	110	182	520	300	0,86	
	2			75	82	126	136	110	182	520	300	0,86	
650	1	6V	PW	85	93	145	156	120	196	612	300	0,85	
	2			85	93	145	156	120	196	612	300	0,85	
700	1	7V	SD	96	105	161	175	131	214	341	300	0,86	
	2			96	105	161	175	131	214	341	300	0,86	
750	1	7V	SD	102	112	168	184	155	280	436	300	0,88	
	2			102	112	168	184	155	280	436	300	0,88	
850	1	8V	SD	113	123	185	201	155	280	436	300	0,88	
	2			113	123	185	201	155	280	436	300	0,88	
950	1	9V	SD	124	135	200	217	175	310	465	300	0,89	
	2			124	135	200	217	175	310	465	300	0,89	
1000	1	10V	SD	132	145	221	240	204	320	586	300	0,86	
	2			132	145	221	240	204	320	586	300	0,86	
1100	1	11V	SD	145	158	240	259	204	320	586	300	0,87	
	2			145	158	240	259	204	320	586	300	0,87	
1250	1	12V	SD	164	185	269	302	222	360	650	300	0,88	
	2			164	185	269	302	222	360	650	300	0,88	

### Units @ 400 V/3 Ph/50 Hz - R134a

- Version			370	400	450	500	570	650	700	750	850	950	1000	1100	1250
Current input	Nominal	A	199	223	239	271	299	337	377	391	432	470	520	566	632
	Maximum	A	319	363	363	403	411	439	483	615	622	690	718	726	814
Power input	Nominal	kW	113	131	141	155	173	193	219	231	256	282	302	332	373
	Maximum	kW	191	211	211	239	243	263	289	337	340	384	446	450	490
Max Start-up current		A	525	624	624	741	749	855	610	771	778	845	984	992	1.104
UNIT (aM) FUSES		A	400	500	500	500	500	500	630	800	800	800	800	800	1.000
Phase WIRE SECTION		mm <sup>2</sup>	240	2x185	2x185	2x185	2x185	2x185	2x185	2x240	2x240	2x240	2x240	2x240	2X300

L/S Version			370	400	450	500	570	650	700	750	850	950	1000	1100	1250
Current input	Nominal	A	184	204	220	252	276	314	350	364	402	436	482	524	586
	Maximum	A	304	344	344	384	388	416	456	588	592	656	680	684	768
Power input	Nominal	kW	107	123	133	147	163	183	207	219	244	268	286	314	354
	Maximum	kW	185	203	203	231	233	253	277	325	328	370	430	432	470
Max Start-up current		A	510	605	605	722	726	832	583	744	748	811	946	950	1.058
UNIT (aM) FUSES		A	400	500	500	500	500	500	630	800	800	800	800	800	1.000
Phase WIRE SECTION		mm <sup>2</sup>	240	2x185	2x185	2x185	2x185	2x185	2x185	2x240	2x240	2x240	2x240	2x240	2X300

HT/HPF Version			370	400	450	500	570	650	700	750	850	950	1000	1100	1250
Current input	Nominal	A	206	232	248	280	310	348	389	403	447	486	538	586	653
	Maximum	A	326	372	372	412	422	450	495	627	637	706	736	746	835
Power input	Nominal	kW	123	143	153	167	187	207	235	247	276	304	326	358	402
	Maximum	kW	201	223	223	251	257	277	305	353	360	406	470	476	518
Max Start-up current		A	532	633	633	750	760	866	622	783	793	861	1.002	1.012	1.125
UNIT (aM) FUSES		A	400	500	500	500	500	500	630	800	800	800	800	800	1.000
Phase WIRE SECTION		mm <sup>2</sup>	240	2x185	2x185	2x185	2x185	2x185	2x185	2x240	2x240	2x240	2x240	2x240	2X300

EC Version			370	400	450	500	570	650	700	750	850	950	1000	1100	1250
Current input	Nominal	A	194	217	233	265	292	330	368	382	423	459	508	553	617
	Maximum	A	314	357	357	397	404	432	474	606	613	679	706	713	799
Power input	Nominal	kW	114	132	142	156	173	193	219	231	257	283	303	333	374
	Maximum	kW	192	212	212	240	243	263	289	337	341	385	447	451	491
Max Start-up current		A	520	618	618	735	742	848	601	762	769	834	972	979	1.089
UNIT (aM) FUSES		A	400	500	500	500	500	500	630	800	800	800	800	800	1.000
Phase WIRE SECTION		mm <sup>2</sup>	240	2x185	2x185	2x185	2x185	2x185	2x185	2x240	2x240	2x240	2x240	2x240	2X300

**Fans @ 400V/3/50Hz**

Model	Standard AC fans 080 6 poli 400V-3-50		
	Number	Nominal power (kW)	Max. running current (A)
<b>- Version</b>			
370	8	1,9	3,9
400	10	1,9	3,9
450	10	1,9	3,9
500	10	1,9	3,9
570	12	1,9	3,9
650	12	1,9	3,9
700	14	1,9	3,9
750	14	1,9	3,9
850	16	1,9	3,9
950	18	1,9	3,9
1000	20	1,9	3,9
1100	22	1,9	3,9
1250	24	1,9	3,9
<b>L/S Version</b>			
370	8	1,1	2
400	10	1,1	2
450	10	1,1	2
500	10	1,1	2
570	12	1,1	2
650	12	1,1	2
700	14	1,1	2
750	14	1,1	2
850	16	1,1	2
950	18	1,1	2
1000	20	1,1	2
1100	22	1,1	2
1250	24	1,1	2
<b>HT/HPF Version</b>			
370	8	3,1	4,8
400	10	3,1	4,8
450	10	3,1	4,8
500	10	3,1	4,8
570	12	3,1	4,8
650	12	3,1	4,8
700	14	3,1	4,8
750	14	3,1	4,8
850	16	3,1	4,8
950	18	3,1	4,8
1000	20	3,1	4,8
1100	22	3,1	4,8
1250	24	3,1	4,8
<b>EC Version</b>			
370	8	1,95	3,3
400	10	1,95	3,3
450	10	1,95	3,3
500	10	1,95	3,3
570	12	1,95	3,3
650	12	1,95	3,3
700	14	1,95	3,3
750	14	1,95	3,3
850	16	1,95	3,3
950	18	1,95	3,3
1000	20	1,95	3,3
1100	22	1,95	3,3
1250	24	1,95	3,3

## Sound Data

Model	Frequency (Hz)								Sound Power dB(A)	Sound Pressure dB(A)**
	63	125	250	500	1000	2000	4000	8000		
<b>- Version*</b>										
370	105	100	98	95	91	86	84	76	97	65
400	106	101	99	96	92	87	85	77	98	66
450	106	101	99	96	92	87	85	77	98	66
500	106	101	99	96	92	87	85	77	98	66
570	107	102	100	97	93	88	86	78	99	67
650	107	102	100	97	93	88	86	78	99	67
700	107	102	100	97	93	88	86	78	99	67
750	108	103	101	98	94	89	87	79	100	67
850	108	103	101	98	94	89	87	79	100	67
950	109	104	102	99	95	90	88	80	101	68
1000	109	104	102	99	95	90	88	80	101	68
1100	110	105	103	100	96	91	89	81	102	69
1250	111	106	104	101	97	92	90	82	103	70
<b>L Version*</b>										
370	99	94	92	89	85	80	78	70	91	59
400	100	95	93	90	86	81	79	71	92	60
450	100	95	93	90	86	81	79	71	92	60
500	100	95	93	90	86	81	79	71	92	60
570	101	96	94	91	87	82	80	72	93	61
650	101	96	94	91	87	82	80	72	93	61
700	102	97	95	92	88	83	81	73	94	61
750	102	97	95	92	88	83	81	73	94	61
850	102	97	95	92	88	83	81	73	94	61
950	103	98	96	93	89	84	82	74	95	62
1000	103	98	96	93	89	84	82	74	95	62
1100	104	99	97	94	90	85	83	75	96	63
1250	105	100	98	95	91	86	84	76	97	64

\* Data valid also for EC version.

\*\* Sound pressure level at 10 m. Values refers to ISO Standard 3744 with parallepiped shape.

Model	Frequency (Hz)								Sound Power dB(A)	Sound Pressure dB(A)**
	63	125	250	500	1000	2000	4000	8000		
<b>S Version*</b>										
370	95	90	88	85	81	76	74	66	87	55
400	96	91	89	86	82	77	75	67	88	56
450	96	91	89	86	82	77	75	67	88	56
500	96	91	89	86	82	77	75	67	88	56
570	97	92	90	87	83	78	76	68	89	57
650	97	92	90	87	83	78	76	68	89	57
700	98	93	91	88	84	79	77	69	90	57
750	98	93	91	88	84	79	77	69	90	57
850	98	93	91	88	84	79	77	69	90	57
950	99	94	92	89	85	80	78	70	91	58
1000	99	94	92	89	85	80	78	70	91	58
1100	100	95	93	90	86	81	79	71	92	59
1250	101	96	94	91	87	82	80	72	93	60
<b>HT/HPF Version***</b>										
370	111	106	104	101	97	92	90	82	103	71
400	112	107	105	102	98	93	91	83	104	72
450	112	107	105	102	98	93	91	83	104	72
500	112	107	105	102	98	93	91	83	104	72
570	113	108	106	103	99	94	92	84	105	73
650	113	108	106	103	99	94	92	84	105	73
700	113	108	106	103	99	94	92	84	105	73
750	114	109	107	104	100	95	93	85	106	73
850	114	109	107	104	100	95	93	85	106	73
950	115	110	108	105	101	96	94	86	107	74
1000	115	110	108	105	101	96	94	86	107	74
1100	116	111	109	106	102	97	95	87	108	75
1250	117	112	110	107	103	98	96	88	109	76

\* Data valid also for EC version.

\*\* Sound pressure level at 10 m. Values refers to ISO Standard 3744 with parallepiped shape.

\*\*\* Sound data valid in max air flow rate condition.

## Cooling Capacities - SyScrew Air EVO CO/HT/HPF R134a - \_Version

Model	LWT °C	Condensing Air Temperature °C														
		25			30			32			35			40		
		Cool	Input Power (*)	Pressure Drop	Cool	Input Power (*)	Pressure Drop	Cool	Input Power (*)	Pressure Drop	Cool	Input Power (*)	Pressure Drop	Cool	Input Power (*)	Pressure Drop
		kW	kW	kPa	kW	kW	kPa	kW	kW	kPa	kW	kW	kPa	kW	kW	kPa
370	5	382,2	77,7	18,6	363,9	85,3	16,9	356,1	88,4	16,2	344,2	93,2	15,1	320,0	103,5	13,1
	6	393,7	78,6	19,8	374,4	86,3	17,9	366,7	89,4	17,2	354,3	94,2	16,0	329,6	104,6	13,9
	7	405,1	79,5	20,9	385,4	87,3	19,0	377,2	90,5	18,2	<b>364,8</b>	<b>95,2</b>	<b>17,0</b>	339,0	105,6	14,7
	8	415,2	80,5	22,0	395,2	88,2	19,9	386,9	91,4	19,1	373,9	96,3	17,8	347,6	106,6	15,4
	9	425,6	81,5	23,1	404,9	89,3	20,9	396,2	92,5	20,0	383,4	97,2	18,8	356,4	107,7	16,2
	10	435,8	82,5	24,2	414,7	90,2	21,9	405,9	93,5	21,0	392,5	98,4	19,7	364,5	108,8	17,0
	12	456,5	84,5	26,6	434,3	92,4	24,1	425,3	95,7	23,1	411,2	100,5	21,6	382,1	111,2	18,6
15	487,6	87,8	30,3	464,2	95,6	27,5	454,4	98,9	26,4	439,0	104,0	24,6	408,3	114,6	21,3	
400	5	435,2	88,7	23,1	414,3	97,3	21,0	405,5	100,9	20,1	392,0	106,3	18,8	364,4	118,0	16,2
	6	448,3	89,7	24,5	426,3	98,4	22,2	417,5	102,0	21,3	403,5	107,5	19,9	375,3	119,3	17,2
	7	461,3	90,7	26,0	438,9	99,5	23,5	429,5	103,2	22,5	<b>415,4</b>	<b>108,6</b>	<b>21,1</b>	386,0	120,5	18,2
	8	472,8	91,8	27,3	450,0	100,6	24,7	440,6	104,3	23,7	425,8	109,8	22,1	395,9	121,6	19,1
	9	484,7	92,9	28,7	461,1	101,8	26,0	451,2	105,5	24,9	436,6	110,9	23,3	405,8	122,9	20,1
	10	496,2	94,1	30,1	472,2	102,9	27,2	462,2	106,7	26,1	447,0	112,2	24,4	415,0	124,1	21,0
	12	519,9	96,4	33,0	494,6	105,5	29,9	484,3	109,1	28,6	468,2	114,7	26,8	435,1	126,8	23,1
15	555,3	100,1	37,7	528,6	109,1	34,1	517,5	112,9	32,7	499,9	118,6	30,5	465,0	130,8	26,4	
450	5	467,9	99,2	26,7	445,4	108,9	24,2	435,9	112,9	23,2	421,4	118,9	21,7	391,7	132,0	18,7
	6	481,9	100,3	28,4	458,3	110,1	25,7	448,8	114,1	24,6	433,8	120,3	23,0	403,4	133,4	19,9
	7	495,9	101,5	30,0	471,8	111,4	27,2	461,8	115,5	26,0	<b>446,5</b>	<b>121,5</b>	<b>24,4</b>	414,9	134,8	21,0
	8	508,3	102,7	31,6	483,8	112,6	28,6	473,6	116,7	27,4	457,7	122,9	25,6	425,6	136,1	22,1
	9	521,0	104,0	33,2	495,7	113,9	30,0	485,0	118,0	28,7	469,3	124,1	26,9	436,3	137,5	23,2
	10	533,4	105,3	34,8	507,6	115,2	31,5	496,8	119,4	30,2	480,5	125,6	28,2	446,2	138,9	24,3
	12	558,9	107,9	38,2	531,7	118,0	34,5	520,6	122,1	33,1	503,3	128,3	30,9	467,7	141,9	26,7
15	596,9	112,0	43,5	568,3	122,0	39,4	556,3	126,3	37,8	537,4	132,7	35,3	499,8	146,3	30,5	
500	5	527,9	112,7	20,5	502,6	123,7	18,6	491,9	128,2	17,8	475,5	135,1	16,6	442,0	150,0	14,4
	6	543,7	113,9	21,7	517,1	125,1	19,7	506,4	129,6	18,9	489,4	136,6	17,6	455,2	151,6	15,2
	7	559,5	115,3	23,0	532,3	126,5	20,8	521,0	131,1	20,0	<b>503,8</b>	<b>138,0</b>	<b>18,7</b>	468,2	153,1	16,1
	8	573,5	116,7	24,2	545,8	127,9	21,9	534,4	132,5	21,0	516,4	139,5	19,6	480,2	154,6	17,0
	9	587,9	118,1	25,4	559,3	129,4	23,0	547,2	134,1	22,0	529,5	140,9	20,6	492,3	156,1	17,8
	10	601,9	119,6	26,6	572,8	130,8	24,1	560,6	135,6	23,1	542,1	142,6	21,6	503,4	157,7	18,6
	12	630,6	122,5	29,2	599,9	134,0	26,5	587,4	138,7	25,4	567,9	145,7	23,7	527,7	161,2	20,5
15	673,5	127,3	33,4	641,2	138,6	30,2	627,6	143,4	29,0	606,4	150,7	27,0	564,0	166,2	23,4	
570	5	590,2	122,6	25,6	561,8	134,6	23,2	549,8	139,5	22,2	531,5	147,0	20,8	494,1	163,2	18,0
	6	607,8	124,0	27,2	578,1	136,1	24,6	566,1	141,1	23,6	547,1	148,7	22,0	508,9	165,0	19,0
	7	625,5	125,5	28,8	595,1	137,7	26,0	582,4	142,7	24,9	<b>563,2</b>	<b>150,2</b>	<b>23,3</b>	523,4	166,7	20,1
	8	641,1	127,0	30,2	610,2	139,2	27,4	597,4	144,2	26,2	577,3	151,9	24,5	536,8	168,2	21,2
	9	657,2	128,5	31,8	625,2	140,8	28,7	611,7	145,9	27,5	592,0	153,4	25,8	550,3	169,9	22,3
	10	672,8	130,2	33,3	640,3	142,4	30,2	626,7	147,6	28,9	606,1	155,2	27,0	562,8	171,7	23,3
	12	704,9	133,4	36,5	670,6	145,9	33,1	656,7	150,9	31,7	634,9	158,6	29,6	590,0	175,4	25,6
15	752,9	138,5	41,7	716,8	150,9	37,8	701,6	156,1	36,2	677,8	164,1	33,8	630,5	180,9	29,2	
650	5	657,0	139,6	32,2	625,5	153,3	29,2	612,1	158,9	28,0	591,7	167,4	26,1	550,1	185,8	22,6
	6	676,7	141,2	34,2	643,6	155,0	30,9	630,3	160,6	29,6	609,1	169,3	27,7	566,5	187,8	23,9
	7	696,3	142,9	36,2	662,5	156,7	32,8	648,4	162,5	31,4	<b>627,0</b>	<b>171,0</b>	<b>29,3</b>	582,7	189,8	25,3
	8	713,8	144,6	38,0	679,3	158,4	34,4	665,0	164,2	33,0	642,7	172,9	30,8	597,6	191,5	26,6
	9	731,6	146,3	39,9	696,0	160,4	36,1	681,0	166,1	34,6	659,0	174,6	32,4	612,6	193,5	28,0
	10	749,0	148,2	41,9	712,8	162,1	37,9	697,7	168,0	36,3	674,7	176,7	34,0	626,5	195,4	29,3
	12	784,8	151,8	46,0	746,6	166,1	41,6	731,0	171,8	39,9	706,8	180,5	37,3	656,8	199,7	32,2
15	838,2	157,7	52,4	798,0	171,8	47,5	781,1	177,7	45,5	754,6	186,8	42,5	701,9	205,9	36,8	
700	5	749,2	156,8	41,3	713,2	172,1	37,4	698,0	178,4	35,8	674,8	187,9	33,5	627,3	208,7	28,9
	6	771,6	158,5	43,8	733,9	174,0	39,6	718,7	180,3	38,0	694,6	190,1	35,5	646,0	210,9	30,7
	7	794,1	160,4	46,4	755,5	176,0	42,0	739,4	182,4	40,2	<b>715,0</b>	<b>192,0</b>	<b>37,6</b>	664,5	213,1	32,5
	8	814,0	162,4	48,7	774,7	177,9	44,1	758,4	184,4	42,3	732,9	194,1	39,5	681,5	215,0	34,1
	9	834,3	164,3	51,2	793,7	180,0	46,3	776,6	186,5	44,3	751,5	196,1	41,5	698,6	217,2	35,9
	10	854,2	166,4	53,6	812,9	182,0	48,6	795,6	188,7	46,5	769,4	198,4	43,5	714,5	219,4	37,5
	12	894,9	170,5	58,9	851,4	186,4	53,3	833,6	192,9	51,1	806,0	202,7	47,8	749,0	224,2	41,2
15	955,8	177,1	67,2	910,0	192,8	60,9	890,7	199,5	58,3	860,5	209,7	54,4	800,4	231,2	47,1	

\* Only Compressors.

Model	LWT °C	Condensing Air Temperature °C											
		44			46			49			51		
		Cool	Input Power (*)	Pressure Drop	Cool	Input Power (*)	Pressure Drop	Cool	Input Power (*)	Pressure Drop	Cool	Input Power (*)	Pressure Drop
		kW	kW	kPa	kW	kW	kPa	kW	kW	kPa	kW	kW	kPa
370	5	305,1	110,1	11,9	290,1	116,7	10,7	273,4	122,9	9,5	262,2	127,9	8,8
	6	314,1	111,2	12,6	298,7	117,9	11,4	282,5	124,3	10,2	271,0	129,3	9,4
	7	323,2	112,3	13,3	307,4	119,0	12,1	293,5	125,1	11,0	281,9	130,1	10,1
	8	331,4	113,4	14,0	315,2	120,1	12,7	296,5	125,7	11,2	284,2	130,6	10,3
	9	339,7	114,5	14,7	323,0	121,2	13,3	305,9	126,8	11,9			
	10	347,6	115,6	15,4	330,7	122,5	14,0	316,0	129,4	12,7			
	12	364,2	118,1	16,9	346,3	125,0	15,3	330,2	130,5	13,9			
15	389,1	121,6	19,3	369,9	128,7	17,5							
400	5	347,4	125,6	14,7	330,4	133,1	13,3	311,4	140,2	11,8	298,5	145,9	10,9
	6	357,7	126,9	15,6	340,1	134,5	14,1	321,7	141,8	12,6	308,6	147,4	11,6
	7	368,0	128,1	16,5	350,0	135,8	15,0	334,2	142,7	13,6	321,0	148,4	12,6
	8	377,4	129,3	17,4	358,9	137,0	15,7	337,6	143,3	13,9	323,6	149,0	12,8
	9	386,8	130,6	18,3	367,9	138,3	16,5	348,4	144,6	14,8			
	10	395,8	131,9	19,1	376,6	139,7	17,3	359,9	147,6	15,8			
	12	414,7	134,7	21,0	394,3	142,6	19,0	376,0	148,9	17,3			
15	443,1	138,8	24,0	421,3	146,8	21,7							
450	5	373,4	140,5	17,0	355,1	148,9	15,4	334,7	156,9	13,7	320,9	163,2	12,6
	6	384,5	141,9	18,1	365,6	150,5	16,3	345,8	158,6	14,6	331,8	165,0	13,4
	7	395,6	143,4	19,1	376,3	151,9	17,3	359,3	159,7	15,8	345,1	166,0	14,5
	8	405,7	144,7	20,1	385,8	153,3	18,2	362,9	160,4	16,1	347,9	166,7	14,8
	9	415,9	146,1	21,1	395,4	154,7	19,1	374,5	161,8	17,1			
	10	425,5	147,6	22,1	404,8	156,3	20,0	386,9	165,2	18,3			
	12	445,8	150,7	24,3	423,9	159,5	21,9	404,1	166,6	20,0			
15	476,3	155,2	27,7	452,8	164,2	25,1							
500	5	421,3	159,6	13,1	400,7	169,1	11,8	377,7	178,2	10,5	362,1	185,3	9,6
	6	433,9	161,2	13,8	412,5	170,9	12,5	390,2	180,1	11,2	374,3	187,4	10,3
	7	446,4	162,8	14,7	424,6	172,5	13,3	405,4	181,3	12,1	389,4	188,5	11,1
	8	457,7	164,3	15,4	435,3	174,1	13,9	409,5	182,1	12,3	392,5	189,3	11,3
	9	469,2	165,9	16,2	446,2	175,8	14,6	422,5	183,8	13,1			
	10	480,1	167,6	16,9	456,8	177,5	15,3	436,5	187,6	14,0			
	12	503,0	171,2	18,6	478,3	181,2	16,8	456,0	189,2	15,3			
15	537,5	176,3	21,2	511,0	186,5	19,2							
570	5	471,0	173,7	16,3	448,0	184,1	14,8	422,2	193,9	13,1	404,8	201,7	12,0
	6	485,0	175,5	17,3	461,2	186,0	15,6	436,2	196,1	14,0	418,5	203,9	12,9
	7	499,0	177,2	18,3	474,6	187,8	16,6	453,2	197,4	15,1	435,3	205,2	13,9
	8	511,7	178,9	19,3	486,6	189,5	17,4	457,8	198,2	15,4	438,8	206,1	14,2
	9	524,5	180,6	20,2	498,8	191,3	18,3	472,4	200,0	16,4			
	10	536,7	182,4	21,2	510,6	193,2	19,2	488,0	204,2	17,5			
	12	562,3	186,3	23,3	534,7	197,2	21,0	509,8	205,9	19,1			
15	600,8	191,9	26,5	571,2	203,0	24,0							
650	5	524,4	197,7	20,5	498,7	209,6	18,6	470,0	220,8	16,5	450,6	229,7	15,2
	6	540,0	199,8	21,8	513,4	211,8	19,7	485,6	223,2	17,6	465,9	232,2	16,2
	7	555,5	201,8	23,0	528,4	213,8	20,8	504,5	224,7	19,0	484,6	233,6	17,5
	8	569,7	203,6	24,2	541,8	215,8	21,9	509,6	225,7	19,4	488,5	234,6	17,8
	9	584,0	205,6	25,4	555,3	217,8	23,0	525,9	227,7	20,6			
	10	597,5	207,7	26,6	568,5	220,0	24,1	543,3	232,5	22,0			
	12	626,0	212,1	29,2	595,2	224,5	26,4	567,5	234,4	24,0			
15	668,9	218,5	33,4	635,9	231,1	30,2							
700	5	598,0	222,0	26,3	568,7	235,3	23,8	536,0	247,9	21,1	513,9	257,9	19,4
	6	615,7	224,3	27,9	585,5	237,8	25,2	553,8	250,6	22,5	531,3	260,7	20,8
	7	633,5	226,5	29,5	602,6	240,0	26,7	575,3	252,3	24,3	552,6	262,3	22,5
	8	649,6	228,7	31,0	617,8	242,3	28,1	581,2	253,4	24,8	557,1	263,4	22,8
	9	665,9	230,9	32,6	633,2	244,5	29,5	599,7	255,7	26,4			
	10	681,4	233,2	34,1	648,2	247,0	30,9	619,5	261,0	28,2			
	12	713,9	238,2	37,5	678,8	252,1	33,9	647,2	263,2	30,8			
15	762,8	245,3	42,8	725,2	259,5	38,7							

\* Only Compressors.



## Cooling Capacities - SyScrew Air EVO CO/HT/HPF R134a - \_Version

Model	LWT °C	Condensing Air Temperature °C														
		25			30			32			35			40		
		Cool	Input Power (*)	Pressure Drop	Cool	Input Power (*)	Pressure Drop	Cool	Input Power (*)	Pressure Drop	Cool	Input Power (*)	Pressure Drop	Cool	Input Power (*)	Pressure Drop
kW	kW	kPa	kW	kPa	kPa	kW	kW	kPa	kW	kW	kPa	kW	kW	kPa		
750	5	786,1	169,0	36,5	748,4	185,5	33,1	732,4	192,3	31,7	708,0	202,6	29,6	658,1	225,0	25,6
	6	809,6	170,9	38,8	770,0	187,6	35,1	754,1	194,4	33,6	728,8	204,9	31,4	677,8	227,3	27,2
	7	833,1	173,0	41,0	792,7	189,7	37,2	775,8	196,7	35,6	<b>750,2</b>	<b>207,0</b>	<b>33,3</b>	697,2	229,7	28,7
	8	854,0	175,1	43,1	812,8	191,8	39,1	795,7	198,8	37,4	769,0	209,3	35,0	715,0	231,8	30,2
	9	875,4	177,1	45,3	832,8	194,1	41,0	814,9	201,1	39,3	788,5	211,4	36,8	733,0	234,2	31,8
	10	896,2	179,4	47,5	852,9	196,2	43,0	834,8	203,4	41,2	807,3	213,9	38,5	749,6	236,6	33,2
	12	939,0	183,8	52,1	893,3	201,0	47,2	874,7	208,0	45,2	845,6	218,5	42,3	785,8	241,7	36,5
15	1002,9	190,9	59,5	954,8	207,9	53,9	934,6	215,1	51,7	902,9	226,1	48,2	839,8	249,3	41,7	
850	5	880,6	184,7	45,9	838,3	202,7	41,6	820,5	210,1	39,8	793,1	221,4	37,2	737,3	245,8	32,1
	6	907,0	186,7	48,6	862,6	205,0	44,0	844,8	212,4	42,2	816,4	223,9	39,4	759,3	248,4	34,1
	7	933,3	189,0	51,5	888,0	207,3	46,6	869,1	214,9	44,7	<b>840,4</b>	<b>226,2</b>	<b>41,8</b>	781,0	251,0	36,1
	8	956,7	191,3	54,1	910,5	209,6	49,0	891,4	217,2	47,0	861,4	228,7	43,9	801,0	253,4	37,9
	9	980,6	193,6	56,9	932,9	212,1	51,5	912,8	219,8	49,3	883,3	231,0	46,1	821,1	255,9	39,9
	10	1004,0	196,1	59,6	955,5	214,4	54,0	935,1	222,3	51,7	904,4	233,8	48,4	839,8	258,5	41,7
	12	1051,9	200,9	65,4	1000,7	219,7	59,2	979,9	227,3	56,8	947,3	238,8	53,1	880,3	264,2	45,8
15	1123,5	208,6	74,6	1069,6	227,2	67,6	1047,0	235,1	64,8	1011,5	247,1	60,5	940,8	272,4	52,3	
950	5	1009,7	203,3	26,6	961,2	223,2	24,1	940,8	231,3	23,1	909,4	243,7	21,6	845,3	270,6	18,6
	6	1039,9	205,6	28,2	989,1	225,7	25,5	968,6	233,8	24,5	936,1	246,5	22,8	870,6	273,5	19,8
	7	1070,1	208,1	29,9	1018,2	228,2	27,0	996,5	236,6	25,9	<b>963,6</b>	<b>249,0</b>	<b>24,2</b>	895,5	276,3	20,9
	8	1097,0	210,6	31,4	1044,0	230,7	28,4	1022,1	239,1	27,2	987,7	251,8	25,4	918,4	278,9	22,0
	9	1124,4	213,1	33,0	1069,7	233,5	29,8	1046,6	241,9	28,6	1012,8	254,3	26,7	941,5	281,7	23,1
	10	1151,2	215,8	34,5	1095,5	236,0	31,3	1072,2	244,7	30,0	1037,0	257,3	28,0	962,9	284,6	24,2
	12	1206,1	221,1	37,9	1147,4	241,8	34,3	1123,5	250,2	32,9	1086,2	262,9	30,8	1009,4	290,8	26,6
15	1288,2	229,6	43,3	1226,4	250,1	39,2	1200,5	258,8	37,6	1159,8	272,0	35,1	1078,7	299,8	30,3	
1000	5	1069,9	219,5	28,1	1018,5	240,9	25,5	996,8	249,7	24,4	963,6	263,1	22,8	895,7	292,1	19,7
	6	1101,9	221,9	29,8	1048,0	243,6	27,0	1026,3	252,4	25,9	991,9	266,1	24,1	922,5	295,2	20,9
	7	1133,9	224,6	31,6	1078,8	246,4	28,6	1055,9	255,4	27,4	<b>1021,0</b>	<b>268,8</b>	<b>25,6</b>	948,8	298,3	22,1
	8	1162,3	227,3	33,2	1106,2	249,1	30,0	1083,0	258,1	28,8	1046,5	271,8	26,9	973,1	301,1	23,2
	9	1191,3	230,0	34,8	1133,4	252,1	31,5	1109,0	261,1	30,2	1073,2	274,5	28,3	997,6	304,1	24,4
	10	1219,7	233,0	36,5	1160,8	254,8	33,1	1136,1	264,1	31,7	1098,7	277,8	29,6	1020,2	307,2	25,5
	12	1277,9	238,7	40,1	1215,8	261,0	36,3	1190,4	270,1	34,8	1150,9	283,8	32,5	1069,5	313,9	28,1
15	1364,9	247,9	45,7	1299,4	270,0	41,4	1272,0	279,4	39,7	1228,8	293,6	37,1	1143,0	323,7	32,1	
1100	5	1174,1	237,8	34,5	1117,7	261,0	31,3	1093,9	270,5	29,9	1057,5	285,0	28,0	983,0	316,5	24,2
	6	1209,3	240,4	36,6	1150,1	263,9	33,1	1126,4	273,5	31,7	1088,5	288,2	29,7	1012,4	319,8	25,6
	7	1244,4	243,3	38,7	1183,9	266,9	35,1	1158,8	276,7	33,6	<b>1120,5</b>	<b>291,2</b>	<b>31,4</b>	1041,3	323,1	27,1
	8	1275,6	246,3	40,7	1214,0	269,8	36,9	1188,5	279,7	35,3	1148,5	294,4	33,0	1067,9	326,2	28,5
	9	1275,6	249,2	42,8	1243,9	273,1	38,7	1217,1	282,9	37,1	1177,7	297,4	34,7	1094,8	329,5	30,0
	10	1275,6	252,4	44,8	1273,9	276,0	40,6	1246,8	286,1	38,9	1205,8	300,9	36,4	1119,7	332,8	31,4
	12	1275,6	258,6	49,2	1334,2	282,8	44,5	1306,4	292,6	42,7	1263,1	307,4	39,9	1173,7	340,1	34,5
15	1275,6	268,5	56,1	1426,1	292,5	50,9	1395,9	302,6	48,8	1348,6	318,1	45,5	1254,3	350,6	39,4	
1250	5	1312,6	278,2	43,1	1249,5	305,4	39,1	1222,9	316,6	37,4	1182,1	333,5	35,0	1098,9	370,4	30,2
	6	1351,8	281,3	45,7	1285,7	308,9	41,4	1259,1	320,0	39,7	1216,8	337,3	37,1	1131,7	374,3	32,1
	7	1391,1	284,8	48,4	1323,5	312,3	43,8	1295,4	323,8	42,0	<b>1252,6</b>	<b>340,8</b>	<b>39,3</b>	1164,1	378,2	33,9
	8	1426,0	288,2	50,9	1357,1	315,8	46,1	1328,6	327,3	44,2	1283,9	344,6	41,3	1193,8	381,7	35,7
	9	1461,6	291,6	53,5	1390,5	319,6	48,4	1360,5	331,1	46,3	1316,6	348,0	43,4	1223,9	385,6	37,5
	10	1496,4	295,4	56,0	1424,1	323,0	50,8	1393,8	334,9	48,6	1347,9	352,2	45,5	1251,7	389,5	39,2
	12	1567,8	302,6	61,5	1491,5	330,9	55,7	1460,5	342,4	53,4	1412,0	359,8	49,9	1312,1	398,0	43,1
15	1674,5	314,3	70,2	1594,2	342,3	63,6	1560,5	354,2	60,9	1507,6	372,2	56,9	1402,2	410,3	49,2	

\* Only Compressors.



Model	LWT °C	Condensing Air Temperature °C											
		44			46			49			51		
		Cool	Input Power (*)	Pressure Drop	Cool	Input Power (*)	Pressure Drop	Cool	Input Power (*)	Pressure Drop	Cool	Input Power (*)	Pressure Drop
		kW	kW	kPa	kW	kW	kPa	kW	kW	kPa	kW	kW	kPa
750	5	627,4	239,3	23,3	596,7	253,7	21,1	562,4	267,3	18,7	539,2	278,0	17,2
	6	646,1	241,8	24,7	614,3	256,3	22,3	581,0	270,2	20,0	557,4	281,0	18,4
	7	664,7	244,2	26,1	632,2	258,8	23,6	603,7	272,0	21,5	579,8	282,8	19,9
	8	681,6	246,5	27,5	648,2	261,2	24,8	609,8	273,2	22,0	584,5	284,0	20,2
	9	698,7	248,9	28,9	664,4	263,6	26,1	629,2	275,7	23,4			
	10	714,9	251,4	30,2	680,2	266,3	27,4	650,0	281,4	25,0			
	12	749,0	256,8	33,2	712,2	271,8	30,0	679,0	283,8	27,3			
15	800,3	264,5	37,9	760,9	279,7	34,2							
850	5	702,8	261,5	29,2	668,4	277,2	26,4	630,0	292,0	23,5	604,0	303,8	21,6
	6	723,7	264,3	31,0	688,2	280,1	28,0	650,9	295,3	25,1	624,5	307,1	23,1
	7	744,6	266,9	32,8	708,2	282,8	29,7	676,2	297,2	27,0	649,5	309,1	24,9
	8	763,6	269,4	34,5	726,2	285,4	31,2	683,1	298,6	27,6	654,8	310,3	25,4
	9	782,7	272,0	36,2	744,3	288,1	32,8	704,9	301,2	29,4			
	10	800,9	274,7	37,9	761,9	291,0	34,3	728,2	307,5	31,4			
	12	839,1	280,6	41,6	797,8	297,0	37,6	760,7	310,1	34,2			
15	896,6	289,0	47,5	852,4	305,7	43,0							
950	5	805,9	287,9	16,9	766,4	305,2	15,3	722,3	321,5	13,6	692,5	334,4	12,5
	6	829,8	290,9	18,0	789,0	308,4	16,2	746,3	325,0	14,5	716,0	338,1	13,4
	7	853,8	293,8	19,0	812,1	311,3	17,2	775,4	327,2	15,7	744,8	340,2	14,5
	8	875,5	296,5	20,0	832,6	314,2	18,1	783,2	328,6	16,0	750,8	341,6	14,7
	9	897,5	299,4	21,0	853,4	317,1	19,0	808,2	331,6	17,0			
	10	918,3	302,4	22,0	873,6	320,3	19,9	834,9	338,5	18,2			
	12	962,1	308,9	24,1	914,8	326,9	21,8	872,2	341,4	19,8			
15	1028,0	318,2	27,5	977,3	336,5	24,9							
1000	5	853,9	310,8	17,9	812,1	329,4	16,2	765,4	347,1	14,4	733,8	361,0	13,2
	6	879,3	314,0	19,0	836,1	332,9	17,2	790,8	350,9	15,3	758,6	364,9	14,1
	7	904,6	317,2	20,1	860,4	336,0	18,2	821,6	353,2	16,6	789,1	367,3	15,3
	8	927,7	320,1	21,1	882,2	339,2	19,1	829,9	354,8	16,9	795,5	368,8	15,5
	9	950,9	323,2	22,2	904,2	342,3	20,1	856,3	358,0	18,0			
	10	973,0	326,5	23,2	925,7	345,8	21,0	884,6	365,4	19,2			
	12	1019,4	333,4	25,5	969,2	352,9	23,1	924,1	368,5	21,0			
15	1089,2	343,5	29,1	1035,5	363,3	26,3							
1100	5	937,1	336,7	22,0	891,2	356,9	19,9	839,9	376,0	17,7	805,3	391,1	16,2
	6	965,0	340,2	23,3	917,5	360,6	21,1	867,8	380,1	18,8	832,6	395,4	17,3
	7	992,8	343,6	24,7	944,3	364,0	22,3	901,6	382,6	20,3	866,0	397,9	18,8
	8	1018,1	346,8	25,9	968,2	367,4	23,5	910,8	384,3	20,8	873,1	399,5	19,1
	9	1043,6	350,2	27,3	992,4	370,9	24,6	939,8	387,8	22,1			
	10	1067,8	353,7	28,5	1015,9	374,6	25,8	970,8	395,9	23,6			
	12	1118,7	361,2	31,3	1063,7	382,4	28,3	1014,2	399,2	25,7			
15	1195,4	372,1	35,8	1136,4	393,5	32,3							
1250	5	1047,6	394,0	27,5	996,3	417,6	24,8	939,5	439,9	22,1	900,6	457,7	20,3
	6	1078,7	398,1	29,1	1025,7	422,0	26,3	970,8	444,7	23,6	930,7	462,8	21,7
	7	1109,8	402,1	30,8	1055,6	426,0	27,9	1008,3	447,8	25,4	968,3	465,5	23,5
	8	1138,1	405,8	32,4	1082,3	430,0	29,3	1018,4	449,8	26,0	975,8	467,6	23,8
	9	1166,6	409,8	34,1	1109,4	434,0	30,8	1050,9	453,9	27,6			
	10	1193,7	413,9	35,7	1135,6	438,4	32,3	1084,8	463,1	29,4			
	12	1250,6	422,7	39,1	1189,1	447,5	35,4	1133,6	467,2	32,2			
15	1336,3	435,4	44,7	1270,4	460,5	40,4							

\* Only Compressors.

HT Version

## Cooling Capacities - SyScrew Air EVO CO/HT/HPF R513A - \_Version

Model	LWT °C	Condensing Air Temperature °C														
		25			30			32			35			40		
		Cool	Input Power (*)	Pressure Drop	Cool	Input Power (*)	Pressure Drop	Cool	Input Power (*)	Pressure Drop	Cool	Input Power (*)	Pressure Drop	Cool	Input Power (*)	Pressure Drop
kW	kW	kPa	kW	kW	kPa	kW	kW	kPa	kW	kW	kPa	kW	kW	kPa		
370	5	378,4	82,6	18,3	360,2	90,6	16,6	352,6	93,9	15,9	340,8	99,0	14,8	316,8	109,9	12,8
	6	389,7	83,5	19,4	370,7	91,7	17,5	363,0	95,0	16,8	350,8	100,1	15,7	326,3	111,1	13,6
	7	401,0	84,5	20,5	381,6	92,7	18,6	373,4	96,1	17,8	<b>361,1</b>	<b>101,1</b>	<b>16,6</b>	335,6	112,2	14,4
	8	411,1	85,5	21,6	391,2	93,7	19,5	383,0	97,1	18,7	370,1	102,3	17,5	344,2	113,3	15,1
	9	421,4	86,5	22,7	400,9	94,8	20,5	392,2	98,2	19,6	379,6	103,3	18,4	352,8	114,4	15,9
	10	431,4	87,7	23,7	410,6	95,8	21,5	401,8	99,4	20,6	388,6	104,5	19,3	360,8	115,6	16,6
	12	452,0	89,8	26,1	430,0	98,2	23,6	421,0	101,6	22,6	407,1	107,8	21,1	378,3	118,1	18,3
15	482,7	93,3	29,7	459,6	101,6	27,0	449,9	105,1	25,8	434,6	110,5	24,1	404,2	121,8	20,9	
400	5	430,9	94,2	22,7	410,2	103,4	20,6	401,5	107,2	19,7	388,1	113,0	18,4	360,7	125,4	15,9
	6	443,8	95,3	24,1	422,1	104,6	21,8	413,4	108,4	20,9	399,5	114,2	19,5	371,5	126,8	16,9
	7	456,7	96,4	25,5	434,5	105,8	23,1	425,3	109,7	22,1	<b>411,2</b>	<b>115,4</b>	<b>20,7</b>	382,1	128,1	17,8
	8	468,1	97,6	26,8	445,5	106,9	24,2	436,2	110,8	23,2	421,5	116,7	21,7	391,9	129,3	18,8
	9	479,8	98,8	28,1	456,5	108,2	25,5	446,6	112,1	24,4	432,2	117,9	22,8	401,8	130,6	19,7
	10	491,2	100,0	29,5	467,5	109,4	26,7	457,6	113,4	25,6	442,5	119,3	23,9	410,9	131,9	20,6
	12	514,7	102,5	32,4	489,6	112,1	29,3	479,4	116,0	28,1	463,5	123,0	26,2	430,7	134,8	22,7
15	549,7	106,4	36,9	523,3	115,9	33,5	512,3	120,0	32,1	494,9	126,1	29,9	460,3	139,0	25,9	
450	5	463,2	105,4	26,2	440,9	115,7	23,8	431,6	119,9	22,8	417,2	126,3	21,3	387,8	140,3	18,4
	6	477,1	106,5	27,8	453,7	117,0	25,1	444,3	121,2	24,1	429,4	127,8	22,5	399,4	141,7	19,5
	7	490,9	107,8	29,4	467,1	118,3	26,6	457,1	122,6	25,5	<b>442,0</b>	<b>129,1</b>	<b>23,9</b>	410,8	143,2	20,6
	8	503,2	109,1	30,9	478,9	119,6	28,0	468,9	123,9	26,9	453,1	130,5	25,1	421,3	144,6	21,7
	9	515,8	110,4	32,5	490,7	121,0	29,4	480,1	125,4	28,2	464,6	131,8	26,4	431,9	146,0	22,8
	10	528,1	111,9	34,1	502,6	122,3	30,9	491,9	126,8	29,6	475,7	133,4	27,6	441,7	147,5	23,8
	12	553,3	114,6	37,4	526,4	125,3	33,8	515,4	129,7	32,4	498,3	137,6	30,3	463,0	150,7	26,2
15	590,9	119,0	42,7	562,6	129,6	38,7	550,7	134,1	37,0	532,0	141,0	34,6	494,8	155,4	29,9	
500	5	522,6	119,5	20,1	497,5	131,1	18,2	486,9	135,9	17,4	470,7	143,2	16,3	437,6	159,0	14,1
	6	538,3	120,8	21,3	512,0	132,6	19,3	501,4	137,4	18,5	484,5	144,8	17,3	450,6	160,7	14,9
	7	553,9	122,3	22,6	527,0	134,1	20,4	515,8	139,0	19,6	<b>498,8</b>	<b>146,3</b>	<b>18,3</b>	463,5	162,4	15,8
	8	567,8	123,7	23,7	540,4	135,6	21,5	529,0	140,5	20,6	511,2	148,0	19,2	475,4	163,9	16,6
	9	582,0	125,2	24,9	553,7	137,2	22,5	541,7	142,2	21,6	524,2	149,4	20,2	487,3	165,6	17,5
	10	595,8	126,8	26,1	567,1	138,7	23,6	555,0	143,8	22,6	536,7	151,2	21,2	498,4	167,2	18,3
	12	624,3	129,9	28,7	593,9	142,1	25,9	581,5	147,0	24,9	562,2	155,9	23,2	522,5	170,9	20,1
15	666,8	134,9	32,7	634,8	147,0	29,6	621,4	152,1	28,4	600,3	159,8	26,5	558,3	176,2	22,9	
570	5	584,3	130,5	25,1	556,2	143,2	22,7	544,3	148,4	21,8	526,2	156,4	20,4	489,1	173,7	17,6
	6	601,7	131,9	26,6	572,3	144,8	24,1	560,5	150,1	23,1	541,7	158,2	21,6	503,8	175,5	18,7
	7	619,2	133,5	28,2	589,1	146,4	25,5	576,6	151,8	24,4	<b>557,6</b>	<b>159,8</b>	<b>22,9</b>	518,2	177,3	19,7
	8	634,7	135,1	29,6	604,1	148,1	26,8	591,4	153,5	25,7	571,5	161,6	24,0	531,4	179,0	20,8
	9	650,6	136,7	31,1	618,9	149,8	28,2	605,6	155,2	27,0	586,1	163,2	25,3	544,8	180,8	21,8
	10	666,1	138,5	32,6	633,9	151,5	29,6	620,4	157,0	28,3	600,0	165,1	26,5	557,2	182,6	22,8
	12	697,9	141,9	35,8	663,9	155,2	32,4	650,1	160,6	31,1	628,5	170,3	29,0	584,1	186,6	25,1
15	745,4	147,4	40,9	709,6	160,5	37,0	694,6	166,1	35,5	671,1	174,5	33,1	624,2	192,4	28,6	
650	5	650,4	148,4	31,6	619,2	162,9	28,6	606,0	168,9	27,4	585,8	177,9	25,6	544,6	197,6	22,1
	6	669,9	150,1	33,5	637,2	164,8	30,3	624,0	170,7	29,1	603,0	179,9	27,1	560,8	199,6	23,5
	7	689,4	151,9	35,5	655,9	166,6	32,1	641,9	172,7	30,7	<b>620,7</b>	<b>181,8</b>	<b>28,8</b>	576,9	201,7	24,8
	8	706,6	153,7	37,3	672,5	168,4	33,8	658,4	174,6	32,3	636,3	183,8	30,2	591,6	203,6	26,1
	9	724,3	155,6	39,1	689,1	170,5	35,4	674,2	176,6	33,9	652,4	185,7	31,8	606,5	205,7	27,4
	10	741,6	157,6	41,0	705,7	172,3	37,2	690,7	178,6	35,6	668,0	187,9	33,3	620,3	207,8	28,7
	12	776,9	161,4	45,0	739,1	176,5	40,8	723,7	182,7	39,1	699,7	193,7	36,5	650,2	212,3	31,5
15	829,8	167,6	51,4	790,0	182,6	46,6	773,3	188,9	44,6	747,1	198,6	41,6	694,9	218,9	36,0	
700	5	741,7	166,4	40,4	706,1	182,7	36,7	691,1	189,3	35,1	668,0	199,5	32,8	621,0	221,5	28,3
	6	763,9	168,3	42,9	726,6	184,7	38,8	711,5	191,4	37,2	687,6	201,7	34,8	639,5	223,8	30,1
	7	786,1	170,3	45,4	747,9	186,8	41,1	732,0	193,7	39,4	<b>707,9</b>	<b>203,8</b>	<b>36,8</b>	657,8	226,2	31,8
	8	805,8	172,4	47,7	766,9	188,9	43,2	750,8	195,7	41,4	725,6	206,1	38,7	674,6	228,3	33,5
	9	825,9	174,4	50,2	785,8	191,1	45,4	768,9	198,0	43,5	744,0	208,1	40,7	691,6	230,6	35,2
	10	845,6	176,7	52,6	804,8	193,2	47,6	787,6	200,3	45,6	761,7	210,6	42,7	707,3	232,9	36,8
	12	886,0	181,0	57,7	842,9	197,9	52,2	825,3	204,8	50,1	797,9	217,2	46,8	741,5	238,0	40,4
15	946,3	187,9	65,8	900,9	204,7	59,7	881,8	211,8	57,2	851,9	222,6	53,4	792,4	245,4	46,2	

\* Only Compressors.

Model	LWT °C	Condensing Air Temperature °C											
		44			46			49			51		
		Cool	Input Power (*)	Pressure Drop	Cool	Input Power (*)	Pressure Drop	Cool	Input Power (*)	Pressure Drop	Cool	Input Power (*)	Pressure Drop
		kW	kW	kPa	kW	kW	kPa	kW	kW	kPa	kW	kW	kPa
370	5	302,0	116,9	11,6	287,2	123,9	10,5	270,7	130,6	9,4	259,5	135,8	8,6
	6	311,0	118,1	12,3	295,7	125,2	11,2	279,7	132,0	10,0	268,3	137,3	9,2
	7	320,0	119,3	13,1	304,3	126,4	11,8	290,6	132,9	10,8	279,1	138,2	9,9
	8	328,1	120,4	13,7	312,0	127,6	12,4	293,5	133,5	11,0	281,4	138,7	10,1
	9	336,3	121,6	14,4	319,8	128,8	13,1	302,9	134,7	11,7			
	10	344,1	122,8	15,1	327,4	130,1	13,7	312,9	137,5	12,5			
	12	360,5	125,4	16,6	342,8	132,8	15,0	326,9	138,6	13,6			
15	385,2	129,2	18,9	366,2	136,7	17,1							
400	5	343,9	133,4	14,4	327,1	141,4	13,1	308,2	149,0	11,6	295,5	155,0	10,7
	6	354,1	134,8	15,3	336,7	142,9	13,9	318,5	150,7	12,4	305,5	156,7	11,4
	7	364,3	136,2	16,2	346,5	144,3	14,7	330,9	151,7	13,4	317,8	157,7	12,3
	8	373,6	137,5	17,1	355,3	145,6	15,4	334,2	152,3	13,6	320,4	158,3	12,5
	9	383,0	138,8	17,9	364,2	147,0	16,2	344,9	153,7	14,5			
	10	391,9	140,2	18,8	372,8	148,5	17,0	356,3	156,9	15,5			
	12	410,6	143,2	20,6	390,4	151,5	18,6	372,2	158,2	16,9			
15	438,7	147,5	23,5	417,1	156,0	21,2							
450	5	369,7	149,2	16,7	351,6	158,2	15,1	331,4	166,6	13,4	317,7	173,3	12,3
	6	380,7	150,8	17,7	362,0	159,8	16,0	342,4	168,5	14,3	328,4	175,2	13,2
	7	391,7	152,3	18,7	372,5	161,3	17,0	355,7	169,6	15,5	341,6	176,3	14,3
	8	401,6	153,7	19,7	382,0	162,9	17,8	359,3	170,3	15,8	344,4	177,1	14,5
	9	411,7	155,2	20,7	391,5	164,4	18,7	370,7	171,9	16,8			
	10	421,2	156,8	21,7	400,8	166,0	19,6	383,0	175,5	17,9			
	12	441,3	160,1	23,8	419,6	169,5	21,5	400,1	176,9	19,6			
15	471,6	164,9	27,2	448,3	174,4	24,6							
500	5	417,1	169,2	12,8	396,7	179,3	11,6	373,9	188,9	10,3	358,5	196,5	9,4
	6	429,5	170,9	13,6	408,4	181,2	12,3	386,3	191,0	11,0	370,6	198,7	10,1
	7	441,9	172,6	14,4	420,3	182,9	13,0	401,3	192,3	11,8	385,5	199,9	10,9
	8	453,2	174,3	15,1	431,0	184,6	13,7	405,4	193,1	12,1	388,6	200,7	11,1
	9	464,5	176,0	15,9	441,7	186,4	14,3	418,3	194,9	12,9			
	10	475,3	177,7	16,6	452,2	188,2	15,0	432,1	198,9	13,7			
	12	498,0	181,5	18,2	473,5	192,1	16,5	451,4	200,6	15,0			
15	532,1	187,0	20,8	505,9	197,7	18,8							
570	5	466,3	184,7	16,0	443,5	195,8	14,5	418,0	206,3	12,8	400,7	214,6	11,8
	6	480,2	186,7	17,0	456,6	197,9	15,3	431,8	208,6	13,7	414,3	216,9	12,6
	7	494,0	188,5	17,9	469,9	199,8	16,2	448,7	210,0	14,8	430,9	218,3	13,7
	8	506,6	190,3	18,9	481,8	201,6	17,1	453,2	210,9	15,1	434,4	219,2	13,9
	9	519,3	192,2	19,8	493,8	203,5	17,9	467,6	212,8	16,1			
	10	531,3	194,1	20,8	505,5	205,5	18,8	483,1	217,2	17,2			
	12	556,7	198,2	22,8	529,3	209,8	20,6	504,7	219,1	18,7			
15	594,8	204,2	26,0	565,5	215,9	23,5							
650	5	519,1	210,2	20,1	493,7	222,8	18,2	465,3	234,7	16,2	446,1	244,1	14,9
	6	534,6	212,4	21,3	508,3	225,1	19,3	480,8	237,3	17,2	461,2	246,8	15,9
	7	550,0	214,5	22,6	523,1	227,2	20,4	499,5	238,9	18,6	479,8	248,4	17,2
	8	564,0	216,5	23,7	536,4	229,4	21,5	504,5	239,9	19,0	483,7	249,4	17,5
	9	578,1	218,6	24,9	549,7	231,5	22,6	520,6	242,1	20,2			
	10	591,5	220,8	26,1	562,8	233,8	23,6	537,8	247,1	21,6			
	12	619,7	225,5	28,7	589,3	238,7	25,9	561,8	249,2	23,6			
15	662,2	232,3	32,7	629,6	245,7	29,6							
700	5	592,0	235,6	25,8	563,0	249,8	23,3	530,6	263,1	20,7	508,7	273,7	19,0
	6	609,6	238,1	27,3	579,6	252,4	24,7	548,2	266,0	22,1	526,0	276,7	20,3
	7	627,2	240,5	28,9	596,5	254,8	26,2	569,6	267,8	23,9	547,1	278,5	22,0
	8	643,1	242,7	30,4	611,6	257,2	27,5	575,4	269,0	24,3	551,5	279,6	22,4
	9	659,3	245,1	32,0	626,9	259,6	28,9	593,7	271,4	25,9			
	10	674,5	247,5	33,5	641,8	262,2	30,3	613,3	277,1	27,7			
	12	706,7	252,8	36,7	672,0	267,6	33,2	640,7	279,4	30,2			
15	755,2	260,4	41,9	717,9	275,4	37,9							

\* Only Compressors.

HT Version

## Cooling Capacities - SyScrew Air EVO CO/HT/HPF R513A - \_Version

Model	LWT °C	Condensing Air Temperature °C														
		25			30			32			35			40		
		Cool	Input Power (*)	Pressure Drop	Cool	Input Power (*)	Pressure Drop	Cool	Input Power (*)	Pressure Drop	Cool	Input Power (*)	Pressure Drop	Cool	Input Power (*)	Pressure Drop
kW	kW	kPa	kW	kW	kPa	kW	kW	kPa	kW	kW	kPa	kW	kW	kPa		
750	5	778,3	179,4	35,8	740,9	197,0	32,5	725,1	204,2	31,1	700,9	215,1	29,1	651,6	238,9	25,1
	6	801,5	181,4	38,0	762,3	199,2	34,4	746,6	206,4	33,0	721,5	217,6	30,8	671,0	241,4	26,6
	7	824,8	183,7	40,2	784,7	201,4	36,4	768,1	208,8	34,9	<b>742,7</b>	<b>219,8</b>	<b>32,6</b>	690,2	243,9	28,2
	8	845,5	185,9	42,3	804,7	203,7	38,3	787,8	211,1	36,7	761,3	222,2	34,3	707,9	246,2	29,6
	9	866,6	188,1	44,4	824,5	206,1	40,2	806,7	213,5	38,5	780,6	224,5	36,0	725,7	248,7	31,1
	10	887,3	190,5	46,6	844,4	208,3	42,2	826,4	216,0	40,4	799,2	227,1	37,8	742,1	251,2	32,6
	12	929,6	195,2	51,1	884,4	213,4	46,2	865,9	220,9	44,3	837,2	234,2	41,4	778,0	256,7	35,8
15	992,8	202,7	58,3	945,2	220,8	52,8	925,3	228,4	50,6	893,9	240,1	47,2	831,4	264,6	40,9	
850	5	871,8	196,2	44,9	830,0	215,4	40,7	812,3	223,2	39,0	785,2	235,2	36,5	729,9	261,1	31,5
	6	897,9	198,4	47,7	854,0	217,8	43,1	836,3	225,6	41,4	808,2	237,8	38,6	751,7	263,9	33,4
	7	924,0	200,8	50,5	879,1	220,2	45,7	860,4	228,3	43,8	<b>832,0</b>	<b>240,3</b>	<b>40,9</b>	773,2	266,6	35,4
	8	947,1	203,2	53,0	901,4	222,6	48,0	882,5	230,8	46,1	852,8	243,0	43,0	793,0	269,1	37,2
	9	970,8	205,6	55,7	923,6	225,3	50,4	903,7	233,4	48,3	874,5	245,4	45,2	812,9	271,9	39,1
	10	993,9	208,3	58,4	945,9	227,7	52,9	925,8	236,1	50,7	895,3	248,3	47,4	831,4	274,6	40,9
	12	1041,4	213,4	64,1	990,7	233,3	58,0	970,1	241,5	55,6	937,8	256,1	52,0	871,5	280,6	44,9
15	1112,2	221,6	73,1	1058,9	241,3	66,3	1036,5	249,7	63,5	1001,4	262,5	59,3	931,4	289,3	51,3	
950	5	999,6	216,0	26,0	951,6	237,1	23,6	931,3	245,8	22,6	900,3	258,9	21,1	836,9	287,5	18,3
	6	1029,5	218,4	27,6	979,2	239,8	25,0	958,9	248,5	24,0	926,7	261,9	22,4	861,9	290,6	19,4
	7	1059,4	221,1	29,3	1008,0	242,5	26,5	986,5	251,4	25,4	<b>954,0</b>	<b>264,6</b>	<b>23,7</b>	886,5	293,6	20,5
	8	1086,0	223,7	30,7	1033,6	245,1	27,8	1011,9	254,1	26,7	977,8	267,5	24,9	909,2	296,3	21,5
	9	1113,1	226,4	32,3	1059,0	248,1	29,2	1036,2	257,0	28,0	1002,7	270,2	26,2	932,1	299,3	22,6
	10	1139,7	229,3	33,9	1084,6	250,8	30,7	1061,5	260,0	29,4	1026,6	273,4	27,5	953,3	302,4	23,7
	12	1194,0	234,9	37,2	1135,9	256,9	33,6	1112,3	265,9	32,2	1075,3	282,0	30,1	999,3	309,0	26,0
15	1275,3	244,0	42,4	1214,1	265,7	38,4	1188,5	275,0	36,8	1148,2	289,0	34,4	1067,9	318,6	29,7	
1000	5	1059,2	233,2	27,5	1008,3	256,0	25,0	986,8	265,4	23,9	953,9	279,6	22,3	886,7	310,5	19,3
	6	1090,9	235,8	29,2	1037,5	258,9	26,4	1016,1	268,3	25,3	981,9	282,8	23,7	913,3	313,7	20,5
	7	1122,5	238,7	30,9	1068,0	261,8	28,0	1045,3	271,4	26,8	<b>1010,8</b>	<b>285,7</b>	<b>25,1</b>	939,3	317,0	21,7
	8	1150,7	241,6	32,5	1095,1	264,7	29,4	1072,1	274,3	28,2	1036,1	288,8	26,3	963,4	319,9	22,8
	9	1179,4	244,4	34,1	1122,1	267,9	30,9	1097,9	277,5	29,6	1062,4	291,7	27,7	987,6	323,2	23,9
	10	1207,5	247,6	35,8	1149,2	270,8	32,4	1124,7	280,7	31,0	1087,7	295,2	29,0	1010,0	326,5	25,0
	12	1265,1	253,7	39,3	1203,6	277,4	35,6	1178,5	287,1	34,1	1139,4	304,4	31,9	1058,8	333,6	27,5
15	1351,2	263,4	44,8	1286,4	286,9	40,6	1259,2	296,9	38,9	1216,5	312,0	36,3	1131,5	344,0	31,4	
1100	5	1162,4	252,6	33,8	1106,6	277,3	30,6	1083,0	287,4	29,4	1046,9	302,8	27,4	973,2	336,2	23,7
	6	1197,2	255,4	35,9	1138,6	280,4	32,4	1115,1	290,5	31,1	1077,6	306,2	29,1	1002,3	339,8	25,1
	7	1231,9	258,5	38,0	1172,1	283,5	34,4	1147,2	294,0	32,9	<b>1109,3</b>	<b>309,4</b>	<b>30,8</b>	1030,9	343,3	26,6
	8	1262,8	261,6	39,9	1201,9	286,7	36,1	1176,6	297,1	34,6	1137,1	312,8	32,4	1057,3	346,5	28,0
	9	1294,4	264,7	41,9	1231,4	290,1	37,9	1204,9	300,5	36,3	1166,0	316,0	34,0	1083,9	350,0	29,4
	10	1325,2	268,2	43,9	1261,2	293,2	39,8	1234,3	304,0	38,1	1193,7	319,7	35,7	1108,5	353,6	30,7
	12	1388,4	274,7	48,2	1320,9	300,4	43,7	1293,4	310,9	41,9	1250,4	329,7	39,1	1162,0	361,3	33,8
15	1482,9	285,3	55,0	1411,8	310,7	49,9	1382,0	321,5	47,8	1335,1	337,9	44,6	1241,8	372,5	38,6	
1250	5	1299,4	294,8	42,3	1237,0	323,7	38,3	1210,7	335,5	36,7	1170,3	353,4	34,3	1087,9	392,5	29,6
	6	1338,3	298,1	44,8	1272,9	327,3	40,5	1246,6	339,1	38,9	1204,7	357,4	36,3	1120,4	396,6	31,4
	7	1377,2	301,7	47,5	1310,3	331,0	43,0	1282,4	343,1	41,2	<b>1240,1</b>	<b>361,1</b>	<b>38,5</b>	1152,4	400,7	33,2
	8	1411,7	305,4	49,9	1343,6	334,6	45,2	1315,3	346,8	43,3	1271,1	365,1	40,4	1181,9	404,5	35,0
	9	1447,0	309,0	52,4	1376,6	338,6	47,4	1346,9	350,8	45,4	1303,4	368,8	42,5	1211,6	408,6	36,7
	10	1481,5	313,0	54,9	1409,9	342,3	49,7	1379,8	354,8	47,6	1334,5	373,2	44,6	1239,1	412,7	38,4
	12	1552,1	320,6	60,3	1476,6	350,7	54,6	1445,8	362,9	52,3	1397,8	381,3	48,9	1299,0	421,7	42,2
15	1657,7	333,0	68,8	1578,3	362,7	62,3	1544,9	375,3	59,7	1492,5	394,4	55,7	1388,2	434,8	48,2	

\* Only Compressors.

Model	LWT °C	Condensing Air Temperature °C											
		44			46			49			51		
		Cool	Input Power (*)	Pressure Drop	Cool	Input Power (*)	Pressure Drop	Cool	Input Power (*)	Pressure Drop	Cool	Input Power (*)	Pressure Drop
		kW	kW	kPa	kW	kW	kPa	kW	kW	kPa	kW	kW	kPa
750	5	621,1	254,1	22,8	590,7	269,4	20,6	556,7	283,8	18,3	533,8	295,2	16,8
	6	639,6	256,8	24,2	608,2	272,2	21,9	575,2	286,9	19,6	551,9	298,4	18,0
	7	658,1	259,3	25,6	625,9	274,7	23,2	597,6	288,8	21,1	574,0	300,3	19,5
	8	674,8	261,7	26,9	641,7	277,3	24,4	603,7	290,1	21,6	578,7	301,5	19,8
	9	691,7	264,3	28,3	657,8	279,9	25,6	622,9	292,7	22,9			
	10	707,7	267,0	29,6	673,4	282,7	26,8	643,5	298,8	24,5			
	12	741,5	272,6	32,5	705,1	288,6	29,4	672,2	301,3	26,7			
15	792,3	280,8	37,1	753,3	297,0	33,6							
850	5	695,8	277,8	28,6	661,7	294,5	25,9	623,7	310,2	23,0	598,0	322,7	21,1
	6	716,5	280,7	30,4	681,3	297,6	27,4	644,4	313,7	24,6	618,2	326,2	22,6
	7	737,2	283,5	32,1	701,2	300,4	29,1	669,5	315,7	26,5	643,0	328,3	24,5
	8	755,9	286,2	33,8	718,9	303,2	30,6	676,3	317,1	27,0	648,3	329,6	24,9
	9	774,9	288,9	35,5	736,8	306,0	32,1	697,8	320,0	28,8			
	10	792,8	291,8	37,2	754,3	309,1	33,6	720,9	326,7	30,7			
	12	830,7	298,0	40,8	789,8	315,5	36,9	753,1	329,4	33,5			
15	887,6	307,0	46,6	843,8	324,7	42,1							
950	5	797,8	305,9	16,6	758,8	324,2	15,0	715,1	341,6	13,3	685,6	355,3	12,3
	6	821,5	309,1	17,6	781,2	327,6	15,9	738,9	345,4	14,2	708,8	359,2	13,1
	7	845,2	312,1	18,6	804,0	330,7	16,8	767,6	347,6	15,4	737,3	361,5	14,2
	8	866,8	315,1	19,6	824,3	333,8	17,7	775,4	349,2	15,7	743,3	363,0	14,4
	9	888,5	318,1	20,6	844,9	336,9	18,6	800,1	352,3	16,7			
	10	909,1	321,3	21,5	864,9	340,3	19,5	826,6	359,7	17,8			
	12	952,4	328,2	23,6	905,6	347,4	21,4	863,5	362,7	19,4			
15	1017,7	338,0	27,0	967,5	357,5	24,4							
1000	5	845,3	330,3	17,5	803,9	350,1	15,9	757,7	368,8	14,1	726,5	383,6	13,0
	6	870,5	333,7	18,6	827,7	353,7	16,8	782,9	372,9	15,0	751,1	387,8	13,8
	7	895,6	337,0	19,7	851,8	357,1	17,8	813,3	375,4	16,2	781,2	390,3	15,0
	8	918,4	340,2	20,7	873,4	360,4	18,7	821,6	377,0	16,6	787,6	391,9	15,2
	9	941,4	343,5	21,8	895,2	363,8	19,7	847,8	380,4	17,6			
	10	963,2	347,0	22,8	916,4	367,5	20,6	875,8	388,3	18,8			
	12	1009,2	354,3	25,0	959,6	375,1	22,6	914,9	391,6	20,5			
15	1078,3	365,0	28,5	1025,2	386,0	25,8							
1100	5	927,7	357,7	21,5	882,3	379,1	19,5	831,5	399,4	17,3	797,3	415,5	15,9
	6	955,3	361,4	22,8	908,4	383,1	20,6	859,2	403,8	18,5	824,3	420,0	17,0
	7	982,9	365,0	24,2	934,9	386,7	21,9	892,6	406,5	19,9	857,4	422,7	18,4
	8	1007,9	368,4	25,4	958,5	390,4	23,0	901,7	408,3	20,3	864,3	424,4	18,7
	9	1033,2	372,0	26,7	982,4	394,0	24,2	930,4	412,0	21,7			
	10	1057,1	375,8	28,0	1005,7	398,0	25,3	961,1	420,6	23,1			
	12	1107,5	383,7	30,7	1053,1	406,2	27,8	1004,1	424,1	25,2			
15	1183,4	395,3	35,0	1125,1	418,1	31,7							
1250	5	1037,1	417,5	26,9	986,3	442,6	24,3	930,1	466,2	21,6	891,6	485,0	19,9
	6	1067,9	421,9	28,5	1015,4	447,2	25,8	961,1	471,2	23,1	921,4	490,4	21,2
	7	1098,7	426,1	30,2	1045,1	451,4	27,3	998,3	474,5	24,9	958,6	493,3	23,0
	8	1126,7	430,1	31,8	1071,5	455,7	28,7	1008,2	476,7	25,4	966,0	495,4	23,4
	9	1155,0	434,2	33,4	1098,3	459,9	30,2	1040,4	481,0	27,1			
	10	1181,7	438,6	34,9	1124,3	464,5	31,6	1073,9	490,7	28,9			
	12	1238,1	447,9	38,4	1177,2	474,1	34,7	1122,3	495,1	31,5			
15	1323,0	461,4	43,8	1257,7	488,0	39,6							

\* Only Compressors.

HT Version

## Cooling Capacities - SyScrew Air EVO CO R134a - L/S Version

Model	LWT °C	Condensing Air Temperature °C											
		25			30			32			35		
		Cool	Input Power (*)	Pressure Drop	Cool	Input Power (*)	Pressure Drop	Cool	Input Power (*)	Pressure Drop	Cool	Input Power (*)	Pressure Drop
		kW	kW	kPa	kW	kW	kPa	kW	kW	kPa	kW	kW	kPa
370	5	372,3	83,3	17,7	354,4	91,4	16,0	346,9	94,8	15,4	335,3	99,8	14,3
	6	383,4	84,2	18,8	364,7	92,5	17,0	357,1	95,8	16,3	345,1	101,0	15,2
	7	394,6	85,2	19,9	375,4	93,5	18,0	367,4	96,9	17,2	<b>355,3</b>	<b>102,0</b>	<b>16,1</b>
	8	404,4	86,3	20,9	384,9	94,5	18,9	376,8	98,0	18,1	364,2	103,1	16,9
	9	414,6	87,3	21,9	394,4	95,6	19,8	385,9	99,1	19,0	373,4	104,2	17,8
	10	424,4	88,4	23,0	403,9	96,7	20,8	395,3	100,2	19,9	382,3	105,4	18,7
	12	444,7	90,6	25,2	423,0	99,0	22,8	414,2	102,5	21,9	400,5	107,7	20,5
15	474,9	94,1	28,8	452,2	102,5	26,1	442,6	106,0	25,0	427,6	111,4	23,3	
400	5	421,8	93,2	21,7	401,5	102,3	19,7	392,9	106,0	18,9	379,8	111,7	17,6
	6	434,4	94,2	23,0	413,1	103,5	20,8	404,6	107,2	20,0	391,0	113,0	18,7
	7	447,0	95,4	24,4	425,3	104,6	22,1	416,2	108,5	21,2	<b>402,5</b>	<b>114,1</b>	<b>19,8</b>
	8	458,2	96,5	25,6	436,1	105,8	23,2	426,9	109,6	22,3	412,6	115,4	20,8
	9	469,6	97,7	26,9	446,8	107,0	24,4	437,2	110,9	23,3	423,0	116,6	21,9
	10	480,8	98,9	28,2	457,6	108,2	25,6	447,8	112,2	24,5	433,1	118,0	22,9
	12	503,8	101,4	31,0	479,3	110,8	28,1	469,3	114,7	26,9	453,7	120,5	25,1
15	538,0	105,3	35,4	512,2	114,6	32,1	501,4	118,6	30,7	484,4	124,7	28,7	
450	5	460,5	106,2	25,9	438,4	116,6	23,5	429,1	120,8	22,5	414,8	127,3	21,6
	6	474,3	107,4	27,5	451,1	117,9	24,9	441,8	122,1	23,8	427,0	128,7	22,9
	7	488,1	108,7	29,1	464,4	119,2	26,3	454,5	123,6	25,2	<b>439,5</b>	<b>130,1</b>	<b>24,3</b>
	8	500,3	110,0	30,6	476,2	120,5	27,7	466,2	124,9	26,5	450,5	131,5	25,5
	9	512,8	111,3	32,1	487,9	122,0	29,1	477,4	126,3	27,8	462,0	132,8	26,8
	10	525,0	112,7	33,7	499,7	123,3	30,5	489,0	127,8	29,2	473,0	134,4	28,1
	12	550,1	115,5	37,0	523,3	126,3	33,5	512,4	130,7	32,1	495,4	137,3	30,9
15	587,5	119,9	42,2	559,4	130,6	38,2	547,5	135,2	36,6	529,0	142,1	35,2	
500	5	502,6	119,8	18,6	478,4	131,5	16,8	468,2	136,3	16,1	452,6	143,6	16,0
	6	517,6	121,1	19,7	492,3	133,0	17,8	482,1	137,8	17,1	465,9	145,2	17,0
	7	532,6	122,6	20,9	506,8	134,4	18,9	496,0	139,4	18,1	<b>479,6</b>	<b>146,7</b>	<b>18,0</b>
	8	546,0	124,1	21,9	519,6	135,9	19,9	508,7	140,9	19,0	491,6	148,3	18,9
	9	559,6	125,5	23,0	532,4	137,6	20,8	521,0	142,5	20,0	504,1	149,8	19,9
	10	573,0	127,2	24,1	545,3	139,0	21,9	533,7	144,1	20,9	516,1	151,6	20,9
	12	600,3	130,3	26,5	571,1	142,4	24,0	559,2	147,4	23,0	540,6	154,9	22,9
15	641,2	135,3	30,2	610,4	147,3	27,4	597,5	152,5	26,3	577,2	160,2	26,1	
570	5	574,8	131,9	24,3	547,2	144,8	22,0	535,6	150,0	21,1	517,7	158,1	19,7
	6	592,0	133,3	25,8	563,1	146,4	23,3	551,4	151,7	22,4	532,9	159,9	20,9
	7	609,2	135,0	27,3	579,6	148,0	24,7	567,3	153,5	23,7	<b>548,6</b>	<b>161,5</b>	<b>22,1</b>
	8	624,5	136,6	28,7	594,3	149,6	26,0	581,8	155,1	24,9	562,3	163,3	23,2
	9	640,1	138,2	30,1	608,9	151,4	27,3	595,8	156,9	26,1	576,6	164,9	24,4
	10	655,3	140,0	31,6	623,7	153,1	28,6	610,4	158,7	27,4	590,3	166,9	25,6
	12	686,6	143,4	34,7	653,2	156,8	31,4	639,6	162,3	30,1	618,3	170,5	28,1
15	733,3	148,9	39,5	698,2	162,2	35,8	683,4	167,8	34,3	660,2	176,4	32,1	
650	5	641,3	150,5	30,7	610,4	165,2	27,8	597,4	171,2	26,6	577,5	180,4	25,6
	6	660,4	152,2	32,5	628,1	167,1	29,4	615,1	173,1	28,2	594,5	182,5	27,2
	7	679,6	154,0	34,5	646,6	168,9	31,2	632,9	175,2	29,9	<b>612,0</b>	<b>184,3</b>	<b>28,8</b>
	8	696,6	155,9	36,2	663,0	170,8	32,8	649,1	177,0	31,4	627,3	186,4	30,2
	9	714,1	157,7	38,0	679,3	172,9	34,4	664,7	179,1	33,0	643,2	188,3	31,8
	10	731,1	159,8	39,9	695,7	174,7	36,1	680,9	181,1	34,6	658,5	190,5	33,3
	12	765,9	163,7	43,8	728,7	179,0	39,6	713,5	185,2	38,0	689,8	194,6	36,6
15	818,1	170,0	49,9	778,8	185,2	45,3	762,4	191,6	43,4	736,5	201,4	41,7	
700	5	738,0	168,4	40,0	702,5	184,8	36,3	687,6	191,6	34,8	664,6	201,8	32,5
	6	760,1	170,2	42,5	722,9	186,9	38,4	708,0	193,7	36,8	684,2	204,1	34,4
	7	782,1	172,3	45,0	744,1	189,0	40,7	728,3	195,9	39,0	<b>704,3</b>	<b>206,2</b>	<b>36,5</b>
	8	801,7	174,4	47,3	763,0	191,1	42,8	747,0	198,0	41,0	721,9	208,5	38,3
	9	821,8	176,5	49,6	781,8	193,4	44,9	765,0	200,3	43,0	740,3	210,6	40,3
	10	841,4	178,7	52,0	800,7	195,4	47,1	783,7	202,6	45,1	757,9	213,1	42,2
	12	881,5	183,1	57,1	838,6	200,2	51,7	821,1	207,2	49,6	793,9	217,7	46,3
15	941,5	190,2	65,2	896,3	207,1	59,1	877,4	214,3	56,6	847,6	225,2	52,8	

\* Only Compressors.

Model	LWT °C	Condensing Air Temperature °C								
		40			44			46		
		Cool	Input Power (*)	Pressure Drop	Cool	Input Power (*)	Pressure Drop	Cool	Input Power (*)	Pressure Drop
		kW	kW	kPa	kW	kW	kPa	kW	kW	kPa
370	5	311,7	110,9	12,4	297,1	117,9	11,3	282,6	125,0	10,2
	6	321,0	112,0	13,1	306,0	119,2	11,9	290,9	126,3	10,8
	7	330,2	113,2	13,9	314,8	120,3	12,6	299,4	127,5	11,4
	8	338,6	114,2	14,6	322,8	121,5	13,3	307,0	128,7	12,0
	9	347,1	115,4	15,4	330,9	122,7	14,0	314,6	129,9	12,6
	10	355,0	116,6	16,1	338,6	123,9	14,6	322,1	131,2	13,2
	12	372,2	119,1	17,7	354,7	126,5	16,1	337,3	133,9	14,5
15	397,7	122,8	20,2	379,0	130,3	18,3	360,3	137,8	16,6	
400	5	353,1	124,0	15,2	336,6	132,0	13,8	320,1	139,9	12,5
	6	363,6	125,4	16,2	346,6	133,3	14,7	329,6	141,3	13,3
	7	374,0	126,7	17,1	356,6	134,7	15,5	339,2	142,7	14,1
	8	383,6	127,8	18,0	365,7	135,9	16,3	347,8	144,0	14,8
	9	393,3	129,1	18,9	374,9	137,3	17,2	356,5	145,4	15,5
	10	402,2	130,4	19,8	383,5	138,6	18,0	364,9	146,8	16,3
	12	421,6	133,3	21,7	401,8	141,6	19,7	382,1	149,9	17,8
15	450,6	137,4	24,8	429,4	145,8	22,5	408,2	154,2	20,4	
450	5	385,6	141,3	18,2	367,6	150,4	16,5	349,6	159,4	14,9
	6	397,1	142,8	19,3	378,5	151,9	17,5	359,9	161,1	15,8
	7	408,4	144,3	20,4	389,4	153,4	18,5	370,4	162,6	16,8
	8	418,9	145,7	21,4	399,3	154,9	19,5	379,8	164,1	17,6
	9	429,4	147,1	22,5	409,3	156,4	20,5	389,2	165,6	18,5
	10	439,2	148,6	23,6	418,8	158,0	21,4	398,5	167,3	19,4
	12	460,4	151,9	25,9	438,8	161,3	23,5	417,2	170,8	21,3
15	492,0	156,6	29,6	468,9	166,2	26,9	445,8	175,8	24,3	
500	5	420,8	159,4	13,0	401,1	169,6	11,8	381,5	179,8	10,7
	6	433,3	161,1	13,8	413,0	171,4	12,5	392,7	181,7	11,3
	7	445,7	162,8	14,6	425,0	173,1	13,3	404,2	183,4	12,0
	8	457,1	164,3	15,4	435,8	174,7	14,0	414,4	185,1	12,6
	9	468,6	166,0	16,1	446,7	176,4	14,7	424,8	186,8	13,3
	10	479,3	167,7	16,9	457,0	178,2	15,4	434,8	188,7	13,9
	12	502,4	171,3	18,6	478,9	182,0	16,9	455,3	192,6	15,2
15	536,9	176,6	21,2	511,7	187,4	19,3	486,4	198,2	17,4	
570	5	481,2	175,5	17,0	458,8	186,7	15,5	436,3	197,9	14,0
	6	495,6	177,4	18,1	472,4	188,7	16,4	449,2	200,0	14,8
	7	509,8	179,2	19,1	486,0	190,5	17,4	462,3	201,9	15,7
	8	522,8	180,9	20,1	498,4	192,3	18,3	474,0	203,8	16,5
	9	536,0	182,7	21,1	510,9	194,2	19,2	485,8	205,7	17,4
	10	548,1	184,6	22,1	522,7	196,2	20,1	497,3	207,7	18,2
	12	574,6	188,6	24,3	547,7	200,3	22,1	520,8	212,1	19,9
15	614,1	194,5	27,7	585,2	206,4	25,2	556,4	218,3	22,8	
650	5	536,9	200,3	21,5	511,8	213,1	19,5	486,7	225,9	17,7
	6	552,9	202,4	22,8	527,0	215,4	20,7	501,1	228,3	18,7
	7	568,7	204,6	24,1	542,2	217,5	21,9	515,7	230,4	19,8
	8	583,2	206,5	25,4	556,0	219,5	23,1	528,8	232,6	20,9
	9	597,9	208,6	26,7	569,9	221,7	24,2	542,0	234,8	21,9
	10	611,5	210,7	27,9	583,2	223,9	25,4	554,8	237,1	23,0
	12	641,0	215,3	30,7	611,0	228,7	27,9	580,9	242,0	25,2
15	685,0	222,0	35,0	652,9	235,5	31,8	620,7	249,1	28,7	
700	5	617,8	224,1	28,1	589,0	238,4	25,5	560,2	252,7	23,1
	6	636,3	226,5	29,8	606,5	240,9	27,0	576,7	255,4	24,5
	7	654,5	228,8	31,5	624,0	243,3	28,6	593,5	257,8	25,9
	8	671,2	231,0	33,1	639,9	245,6	30,1	608,5	260,2	27,2
	9	688,1	233,3	34,8	655,9	248,0	31,6	623,7	262,6	28,6
	10	703,7	235,7	36,4	671,1	250,5	33,1	638,5	265,3	30,0
	12	737,7	240,8	40,0	703,2	255,8	36,3	668,6	270,8	32,9
15	788,4	248,3	45,7	751,3	263,5	41,5	714,3	278,7	37,5	

\* Only Compressors.

## Cooling Capacities - SyScrew Air EVO CO R134a - L/S Version

Model	LWT °C	Condensing Air Temperature °C											
		25			30			32			35		
		Cool	Input Power (*)	Pressure Drop	Cool	Input Power (*)	Pressure Drop	Cool	Input Power (*)	Pressure Drop	Cool	Input Power (*)	Pressure Drop
		kW	kW	kPa	kW	kW	kPa	kW	kW	kPa	kW	kW	kPa
750	5	758,6	179,5	34,0	722,2	197,0	30,8	706,8	204,2	29,5	683,2	215,2	27,6
	6	781,3	181,5	36,1	743,1	199,3	32,7	727,7	206,4	31,3	703,3	217,6	29,2
	7	804,0	183,7	38,2	764,9	201,5	34,6	748,7	208,9	33,1	<b>723,9</b>	<b>219,8</b>	<b>31,0</b>
	8	824,1	185,9	40,2	784,4	203,7	36,4	767,9	211,1	34,9	742,1	222,3	32,6
	9	844,7	188,1	42,2	803,6	206,1	38,2	786,3	213,6	36,6	760,9	224,5	34,2
	10	864,9	190,6	44,2	823,1	208,4	40,1	805,5	216,0	38,4	779,1	227,2	35,9
	12	906,1	195,2	48,6	862,0	213,5	43,9	844,1	220,9	42,1	816,0	232,1	39,4
850	5	856,0	198,7	43,3	814,9	218,2	39,3	797,5	226,1	37,6	770,9	238,2	35,1
	6	881,6	200,9	46,0	838,5	220,6	41,6	821,1	228,6	39,9	793,5	240,9	37,2
	7	907,2	203,4	48,7	863,1	223,1	44,1	844,8	231,3	42,2	<b>816,9</b>	<b>243,4</b>	<b>39,5</b>
	8	929,9	205,8	51,1	885,0	225,5	46,3	866,4	233,8	44,4	837,3	246,1	41,5
	9	953,2	208,3	53,7	906,8	228,2	48,6	887,3	236,5	46,6	858,6	248,6	43,6
	10	975,9	211,0	56,3	928,7	230,7	51,0	908,9	239,2	48,9	879,0	251,5	45,7
	12	1022,4	216,1	61,8	972,7	236,4	55,9	952,4	244,6	53,6	920,8	257,0	50,1
950	5	968,3	217,1	24,4	921,8	238,4	22,2	902,2	247,0	21,2	872,1	260,3	19,8
	6	997,3	219,5	25,9	948,5	241,0	23,5	928,9	249,7	22,5	897,7	263,2	21,0
	7	1026,3	222,2	27,5	976,4	243,7	24,9	955,7	252,7	23,8	<b>924,1</b>	<b>265,9</b>	<b>22,3</b>
	8	1052,0	224,9	28,8	1001,2	246,4	26,1	980,2	255,4	25,0	947,2	268,9	23,4
	9	1078,3	227,6	30,3	1025,8	249,4	27,4	1003,7	258,3	26,3	971,3	271,6	24,6
	10	1104,0	230,5	31,8	1050,6	252,1	28,8	1028,2	261,3	27,6	994,4	274,8	25,8
	12	1156,6	236,1	34,9	1100,4	258,2	31,6	1077,4	267,2	30,3	1041,7	280,8	28,3
1000	5	1030,3	232,6	26,1	980,8	255,4	23,6	959,9	264,7	22,6	927,9	278,9	21,1
	6	1061,1	235,2	27,6	1009,2	258,3	25,0	988,4	267,6	24,0	955,2	282,0	22,4
	7	1091,9	238,1	29,3	1038,9	261,1	26,5	1016,8	270,7	25,4	<b>983,2</b>	<b>284,9</b>	<b>23,7</b>
	8	1119,3	241,0	30,8	1065,3	264,0	27,9	1042,9	273,6	26,7	1007,8	288,1	24,9
	9	1147,3	243,8	32,3	1091,5	267,2	29,2	1068,0	276,8	28,0	1033,4	291,0	26,2
	10	1174,6	247,0	33,9	1117,8	270,1	30,7	1094,0	280,0	29,4	1058,1	294,5	27,5
	12	1230,6	253,0	37,2	1170,8	276,7	33,6	1146,4	286,3	32,3	1108,3	300,8	30,2
1100	5	1140,6	254,4	32,6	1085,8	279,3	29,5	1062,6	289,5	28,3	1027,2	304,9	26,4
	6	1174,7	257,2	34,5	1117,2	282,4	31,2	1094,1	292,6	30,0	1057,4	308,4	28,0
	7	1208,8	260,4	36,6	1150,1	285,6	33,1	1125,6	296,1	31,7	<b>1088,4</b>	<b>311,6</b>	<b>29,6</b>
	8	1239,1	263,5	38,4	1179,3	288,7	34,8	1154,5	299,2	33,4	1115,7	315,1	31,1
	9	1270,0	266,6	40,4	1208,3	292,2	36,5	1182,2	302,7	35,0	1144,0	318,2	32,8
	10	1300,3	270,1	42,3	1237,5	295,3	38,3	1211,1	306,2	36,7	1171,3	322,0	34,3
	12	1362,3	276,7	46,4	1296,1	302,6	42,0	1269,1	313,1	40,3	1226,9	329,0	37,7
1250	5	1455,0	287,3	53,0	1385,3	313,0	48,0	1356,0	323,8	46,0	1310,0	340,3	42,9
	6	1275,4	297,9	40,7	1214,1	327,0	36,9	1188,2	338,9	35,4	1148,6	357,0	33,0
	7	1313,5	301,2	43,2	1249,3	330,7	39,1	1223,5	342,6	37,5	1182,4	361,1	35,0
	8	1351,7	304,8	45,8	1286,0	334,3	41,4	1258,7	346,6	39,7	<b>1217,1</b>	<b>364,8</b>	<b>37,1</b>
	9	1385,5	308,5	48,1	1318,7	338,0	43,6	1291,0	350,3	41,7	1247,6	368,9	39,0
	10	1420,2	312,2	50,5	1351,1	342,1	45,7	1322,0	354,4	43,8	1279,3	372,6	41,0
	12	1454,0	316,2	52,9	1383,7	345,8	48,0	1354,3	358,5	45,9	1309,7	377,0	43,0
	15	1523,4	323,9	58,1	1449,3	354,2	52,6	1419,1	366,6	50,4	1371,9	385,1	47,1
	15	1627,0	336,4	66,3	1549,0	366,4	60,1	1516,3	379,1	57,6	1464,9	398,5	53,7

\* Only Compressors.



Model	LWT °C	Condensing Air Temperature °C								
		40			44			46		
		Cool	Input Power (*)	Pressure Drop	Cool	Input Power (*)	Pressure Drop	Cool	Input Power (*)	Pressure Drop
		kW	kW	kPa	kW	kW	kPa	kW	kW	kPa
750	5	635,1	238,9	23,9	605,5	254,2	21,7	575,8	269,4	19,6
	6	654,1	241,4	25,3	623,4	256,8	23,0	592,8	272,2	20,8
	7	672,8	243,9	26,8	641,4	259,4	24,3	610,1	274,8	22,0
	8	690,0	246,2	28,2	657,8	261,8	25,6	625,5	277,4	23,1
	9	707,3	248,7	29,6	674,2	264,4	26,9	641,2	280,0	24,3
	10	723,4	251,2	30,9	689,9	267,0	28,1	656,4	282,8	25,5
	12	758,3	256,7	34,0	722,8	272,7	30,9	687,2	288,6	27,9
15	810,4	264,7	38,8	772,3	280,9	35,3	734,2	297,1	31,9	
850	5	716,6	264,5	30,4	683,2	281,4	27,6	649,7	298,3	25,0
	6	738,0	267,3	32,2	703,5	284,4	29,3	668,9	301,4	26,5
	7	759,1	270,1	34,1	723,8	287,2	31,0	688,4	304,3	28,0
	8	778,5	272,6	35,8	742,2	289,9	32,6	705,8	307,1	29,5
	9	798,1	275,4	37,7	760,8	292,7	34,2	723,5	310,0	30,9
	10	816,3	278,2	39,4	778,4	295,6	35,8	740,6	313,1	32,4
	12	855,7	284,2	43,3	815,6	301,9	39,3	775,5	319,6	35,6
15	914,4	293,1	49,4	871,5	311,0	44,9	828,5	328,9	40,6	
950	5	810,7	289,0	17,1	772,8	307,5	15,6	735,0	325,9	14,1
	6	834,9	292,1	18,2	795,8	310,7	16,5	756,7	329,3	14,9
	7	858,8	295,1	19,2	818,8	313,8	17,5	778,8	332,4	15,8
	8	880,7	297,9	20,2	839,6	316,7	18,4	798,5	335,6	16,6
	9	902,9	300,9	21,3	860,7	319,8	19,3	818,4	338,7	17,5
	10	923,4	303,9	22,2	880,6	323,0	20,2	837,8	342,1	18,3
	12	968,0	310,6	24,4	922,6	329,9	22,2	877,3	349,2	20,1
15	1034,5	320,2	27,9	985,9	339,8	25,3	937,2	359,4	22,9	
1000	5	862,6	309,7	18,3	822,3	329,4	16,6	782,0	349,2	15,0
	6	888,3	312,9	19,4	846,7	332,9	17,6	805,1	352,8	15,9
	7	913,7	316,2	20,5	871,2	336,2	18,6	828,6	356,2	16,9
	8	937,1	319,1	21,6	893,3	339,3	19,6	849,6	359,5	17,7
	9	960,7	322,4	22,7	915,7	342,6	20,6	870,8	362,9	18,6
	10	982,5	325,6	23,7	937,0	346,1	21,5	891,4	366,5	19,5
	12	1029,9	332,7	26,0	981,7	353,4	23,7	933,4	374,1	21,4
15	1100,7	343,1	29,7	1048,9	364,1	27,0	997,2	385,1	24,4	
1100	5	954,9	338,6	22,8	910,3	360,3	20,7	865,7	381,9	18,8
	6	983,4	342,2	24,2	937,3	364,0	22,0	891,3	385,9	19,9
	7	1011,5	345,8	25,6	964,4	367,6	23,3	917,3	389,5	21,1
	8	1037,4	349,0	26,9	988,9	371,1	24,5	940,5	393,2	22,1
	9	1063,5	352,5	28,3	1013,7	374,7	25,7	964,0	396,8	23,3
	10	1087,6	356,1	29,6	1037,2	378,5	26,9	986,8	400,8	24,4
	12	1140,2	363,9	32,5	1086,7	386,5	29,6	1033,3	409,1	26,7
15	1218,5	375,2	37,2	1161,2	398,1	33,7	1103,9	421,1	30,5	
1250	5	1067,7	396,5	28,6	1017,9	421,8	25,9	968,0	447,1	23,5
	6	1099,7	400,6	30,3	1048,1	426,2	27,5	996,6	451,8	24,9
	7	1131,1	404,8	32,0	1078,4	430,4	29,1	1025,7	456,0	26,3
	8	1160,0	408,6	33,7	1105,8	434,5	30,6	1051,7	460,3	27,7
	9	1189,2	412,8	35,4	1133,6	438,7	32,2	1077,9	464,6	29,1
	10	1216,2	416,9	37,0	1159,8	443,1	33,7	1103,5	469,3	30,5
	12	1274,9	426,0	40,7	1215,2	452,5	37,0	1155,4	479,0	33,4
15	1362,5	439,3	46,5	1298,4	466,1	42,2	1234,4	493,0	38,2	

\* Only Compressors.

## Cooling Capacities - SyScrew Air EVO CO R513A - L/S Version

Model	LWT °C	Condensing Air Temperature °C											
		25			30			32			35		
		Cool	Input Power (*)	Pressure Drop	Cool	Input Power (*)	Pressure Drop	Cool	Input Power (*)	Pressure Drop	Cool	Input Power (*)	Pressure Drop
		kW	kW	kPa	kW	kW	kPa	kW	kW	kPa	kW	kW	kPa
370	5	368,6	88,2	17,3	350,9	96,8	15,7	343,4	100,3	15,0	331,9	105,7	14,1
	6	379,6	89,1	18,4	361,0	97,9	16,6	353,6	101,4	16,0	341,7	106,9	14,9
	7	390,6	90,2	19,5	371,6	99,0	17,6	363,7	102,6	16,9	<b>351,7</b>	<b>108,0</b>	<b>15,8</b>
	8	400,4	91,3	20,5	381,1	100,1	18,5	373,1	103,7	17,8	360,5	109,2	16,6
	9	410,4	92,4	21,5	390,4	101,3	19,5	382,0	104,9	18,6	369,7	110,3	17,4
	10	420,2	93,6	22,5	399,9	102,4	20,4	391,4	106,1	19,5	378,5	111,6	18,3
	12	440,2	95,9	24,7	418,8	104,9	22,4	410,1	108,5	21,5	396,5	115,1	20,1
15	470,2	99,6	28,2	447,6	108,5	25,6	438,2	112,2	24,5	423,3	118,0	22,9	
400	5	417,5	98,6	21,3	397,5	108,2	19,3	389,0	112,1	18,5	376,0	118,1	17,3
	6	430,0	99,7	22,6	409,0	109,4	20,4	400,5	113,4	19,6	387,1	119,5	18,3
	7	442,5	100,9	23,9	421,0	110,6	21,7	412,1	114,7	20,7	<b>398,5</b>	<b>120,7</b>	<b>19,4</b>
	8	453,6	102,1	25,1	431,7	111,9	22,8	422,6	115,9	21,8	408,4	122,1	20,4
	9	464,9	103,3	26,4	442,3	113,2	23,9	432,8	117,3	22,9	418,8	123,3	21,4
	10	476,0	104,6	27,7	453,0	114,4	25,1	443,4	118,6	24,0	428,8	124,8	22,5
	12	498,7	107,2	30,4	474,5	117,2	27,5	464,6	121,3	26,4	449,2	128,7	24,6
15	532,7	111,3	34,7	507,1	121,3	31,4	496,4	125,5	30,1	479,6	131,9	28,1	
450	5	455,9	112,1	25,4	434,0	123,0	23,0	424,8	127,5	22,0	410,6	134,3	20,6
	6	469,6	113,3	26,9	446,6	124,4	24,4	437,4	128,9	23,4	422,7	135,9	21,8
	7	483,2	114,7	28,5	459,7	125,8	25,8	450,0	130,4	24,7	<b>435,1</b>	<b>137,2</b>	<b>23,1</b>
	8	495,3	116,1	30,0	471,4	127,2	27,1	461,5	131,8	26,0	446,0	138,8	24,3
	9	507,7	117,4	31,5	483,0	128,7	28,5	472,6	133,3	27,3	457,3	140,2	25,5
	10	519,8	119,0	33,0	494,7	130,1	29,9	484,1	134,9	28,6	468,2	141,8	26,8
	12	544,6	121,9	36,2	518,1	133,3	32,8	507,3	137,9	31,4	490,5	146,3	29,4
15	581,7	126,6	41,3	553,8	137,8	37,5	542,1	142,6	35,9	523,7	149,9	33,5	
500	5	497,6	126,7	18,2	473,7	139,1	16,5	463,6	144,2	15,8	448,1	151,9	14,8
	6	512,4	128,1	19,3	487,4	140,7	17,5	477,3	145,7	16,8	461,3	153,6	15,6
	7	527,3	129,7	20,4	501,7	142,2	18,5	491,0	147,5	17,7	<b>474,8</b>	<b>155,2</b>	<b>16,6</b>
	8	540,5	131,2	21,5	514,4	143,8	19,5	503,6	149,0	18,7	486,7	156,9	17,4
	9	554,0	132,8	22,6	527,1	145,5	20,4	515,7	150,8	19,6	499,1	158,5	18,3
	10	567,2	134,5	23,7	539,8	147,1	21,4	528,3	152,5	20,5	511,0	160,4	19,2
	12	594,3	137,8	26,0	565,4	150,7	23,5	553,6	155,9	22,5	535,2	165,4	21,1
15	634,7	143,1	29,6	604,3	155,9	26,9	591,5	161,3	25,7	571,5	169,5	24,0	
570	5	569,1	139,9	23,8	541,7	153,6	21,6	530,2	159,2	20,7	512,5	167,7	19,3
	6	586,1	141,5	25,3	557,4	155,4	22,9	545,9	161,0	21,9	527,6	169,7	20,5
	7	603,1	143,2	26,7	573,8	157,1	24,2	561,6	162,9	23,2	<b>543,1</b>	<b>171,4</b>	<b>21,7</b>
	8	618,2	144,9	28,1	588,4	158,8	25,5	576,0	164,6	24,4	556,7	173,3	22,8
	9	633,7	146,7	29,5	602,9	160,7	26,7	589,9	166,5	25,6	570,8	175,0	24,0
	10	648,8	148,6	31,0	617,4	162,5	28,0	604,3	168,4	26,9	584,4	177,1	25,1
	12	679,7	152,2	34,0	646,7	166,4	30,8	633,2	172,2	29,5	612,2	182,7	27,6
15	726,0	158,1	38,8	691,2	172,2	35,1	676,6	178,1	33,7	653,6	187,2	31,4	
650	5	634,8	158,9	30,1	604,3	174,5	27,3	591,5	180,8	26,1	571,7	190,5	24,4
	6	653,8	160,7	31,9	621,9	176,4	28,9	609,0	182,8	27,7	588,5	192,7	25,8
	7	672,8	162,7	33,8	640,1	178,4	30,6	626,5	185,0	29,3	<b>605,8</b>	<b>194,7</b>	<b>27,4</b>
	8	689,7	164,6	35,5	656,4	180,4	32,1	642,6	186,9	30,8	621,0	196,8	28,8
	9	706,9	166,6	37,3	672,5	182,5	33,7	658,0	189,1	32,3	636,8	198,8	30,3
	10	723,8	168,7	39,1	688,8	184,5	35,4	674,1	191,3	33,9	651,9	201,2	31,7
	12	758,3	172,8	42,9	721,4	189,0	38,8	706,4	195,6	37,2	682,9	207,5	34,8
15	809,9	179,5	48,9	771,0	195,5	44,4	754,7	202,3	42,5	729,2	212,6	39,7	
700	5	730,6	178,3	39,2	695,5	195,8	35,6	680,7	202,9	34,1	658,0	213,8	31,8
	6	752,5	180,3	41,6	715,7	198,0	37,7	700,9	205,1	36,1	677,3	216,2	33,7
	7	774,3	182,5	44,1	736,7	200,2	39,9	721,0	207,5	38,2	<b>697,2</b>	<b>218,4</b>	<b>35,7</b>
	8	793,7	184,7	46,3	755,4	202,4	42,0	739,5	209,8	40,2	714,7	220,9	37,5
	9	813,6	186,9	48,7	774,0	204,8	44,0	757,3	212,2	42,2	732,8	223,1	39,5
	10	832,9	189,3	51,0	792,7	207,0	46,2	775,8	214,6	44,2	750,3	225,7	41,4
	12	872,7	193,9	56,0	830,2	212,1	50,7	812,9	219,5	48,6	785,9	232,8	45,4
15	932,1	201,4	63,9	887,4	219,4	57,9	868,6	227,0	55,5	839,2	238,6	51,8	

\* Only Compressors.

Model	LWT °C	Condensing Air Temperature °C								
		40			44			46		
		Cool	Input Power (*)	Pressure Drop	Cool	Input Power (*)	Pressure Drop	Cool	Input Power (*)	Pressure Drop
		kW	kW	kPa	kW	kW	kPa	kW	kW	kPa
370	5	308,6	117,4	12,1	294,2	124,9	11,0	279,7	132,3	10,0
	6	317,8	118,6	12,9	302,9	126,2	11,7	288,0	133,7	10,6
	7	326,9	119,8	13,6	311,6	127,4	12,4	296,4	135,0	11,2
	8	335,2	121,0	14,3	319,6	128,6	13,0	303,9	136,3	11,8
	9	343,7	122,2	15,1	327,6	129,9	13,7	311,5	137,5	12,4
	10	351,5	123,4	15,8	335,2	131,2	14,3	318,9	138,9	13,0
	12	368,4	126,1	17,3	351,2	133,9	15,7	333,9	141,8	14,2
15	393,7	130,0	19,8	375,2	138,0	18,0	356,7	145,9	16,2	
400	5	349,6	131,2	14,9	333,2	139,6	13,6	316,9	147,9	12,3
	6	360,0	132,6	15,8	343,1	141,0	14,4	326,3	149,5	13,0
	7	370,3	134,0	16,8	353,0	142,4	15,2	335,8	150,9	13,8
	8	379,8	135,2	17,6	362,0	143,8	16,0	344,3	152,3	14,5
	9	389,3	136,6	18,5	371,1	145,2	16,8	352,9	153,7	15,2
	10	398,2	138,0	19,4	379,7	146,6	17,6	361,3	155,3	15,9
	12	417,4	141,0	21,3	397,8	149,7	19,3	378,3	158,5	17,5
15	446,1	145,4	24,3	425,1	154,3	22,1	404,1	163,1	20,0	
450	5	381,7	149,2	17,8	363,9	158,7	16,2	346,1	168,2	14,6
	6	393,1	150,7	18,9	374,7	160,3	17,2	356,3	170,0	15,5
	7	404,4	152,3	20,0	385,5	161,9	18,2	366,7	171,6	16,4
	8	414,7	153,7	21,0	395,3	163,4	19,1	376,0	173,2	17,3
	9	425,1	155,3	22,1	405,2	165,0	20,1	385,3	174,8	18,1
	10	434,8	156,9	23,1	414,6	166,7	21,0	394,5	176,5	19,0
	12	455,8	160,3	25,4	434,4	170,2	23,1	413,1	180,2	20,8
15	487,1	165,3	29,0	464,2	175,4	26,3	441,3	185,5	23,8	
500	5	416,6	168,7	12,8	397,1	179,4	11,6	377,7	190,2	10,5
	6	429,0	170,4	13,5	408,9	181,3	12,3	388,8	192,2	11,1
	7	441,3	172,2	14,3	420,7	183,1	13,0	400,2	194,0	11,8
	8	452,5	173,8	15,1	431,4	184,8	13,7	410,3	195,8	12,4
	9	463,9	175,6	15,8	442,2	186,6	14,4	420,5	197,6	13,0
	10	474,5	177,4	16,6	452,5	188,5	15,1	430,5	199,6	13,6
	12	497,4	181,2	18,2	474,1	192,5	16,5	450,8	203,8	14,9
15	531,5	186,9	20,8	506,6	198,3	18,9	481,6	209,7	17,1	
570	5	476,4	186,3	16,7	454,2	198,2	15,2	431,9	210,1	13,7
	6	490,7	188,2	17,7	467,7	200,2	16,1	444,7	212,2	14,5
	7	504,7	190,2	18,7	481,2	202,2	17,0	457,7	214,3	15,4
	8	517,6	192,0	19,7	493,4	204,1	17,9	469,3	216,3	16,2
	9	530,6	193,9	20,7	505,8	206,1	18,8	481,0	218,3	17,0
	10	542,7	195,9	21,7	517,5	208,2	19,7	492,4	220,5	17,8
	12	568,9	200,2	23,8	542,2	212,6	21,6	515,5	225,0	19,5
15	607,9	206,4	27,2	579,4	219,0	24,7	550,8	231,6	22,3	
650	5	531,5	211,6	21,1	506,7	225,1	19,2	481,9	238,6	17,3
	6	547,4	213,8	22,4	521,7	227,4	20,3	496,1	241,1	18,4
	7	563,0	216,0	23,7	536,8	229,7	21,5	510,6	243,3	19,5
	8	577,4	218,0	24,9	550,4	231,8	22,6	523,5	245,6	20,4
	9	591,9	220,2	26,1	564,2	234,1	23,8	536,5	247,9	21,5
	10	605,4	222,5	27,3	577,3	236,4	24,9	549,3	250,4	22,5
	12	634,6	227,3	30,1	604,9	241,4	27,3	575,1	255,6	24,7
15	678,2	234,4	34,3	646,3	248,7	31,2	614,4	263,1	28,2	
700	5	611,7	237,4	27,5	583,1	252,5	25,0	554,6	267,7	22,6
	6	630,0	239,9	29,2	600,4	255,2	26,5	570,9	270,5	24,0
	7	648,0	242,4	30,9	617,8	257,7	28,1	587,6	273,0	25,4
	8	664,5	244,6	32,5	633,5	260,1	29,5	602,5	275,6	26,7
	9	681,2	247,1	34,1	649,4	262,6	31,0	617,5	278,2	28,0
	10	696,7	249,6	35,7	664,4	265,3	32,5	632,1	281,0	29,4
	12	730,4	255,1	39,2	696,1	270,9	35,6	661,9	286,8	32,2
15	780,5	263,0	44,8	743,8	279,1	40,7	707,1	295,2	36,8	

\* Only Compressors.

## Cooling Capacities - SyScrew Air EVO CO R513A - L/S Version

Model	LWT °C	Condensing Air Temperature °C											
		25			30			32			35		
		Cool	Input Power (*)	Pressure Drop	Cool	Input Power (*)	Pressure Drop	Cool	Input Power (*)	Pressure Drop	Cool	Input Power (*)	Pressure Drop
		kW	kW	kPa	kW	kW	kPa	kW	kW	kPa	kW	kW	kPa
750	5	751,0	189,5	33,4	714,9	208,0	30,2	699,7	215,6	29,0	676,4	227,2	27,1
	6	773,5	191,6	35,4	735,7	210,4	32,0	720,4	218,0	30,7	696,2	229,7	28,7
	7	795,9	193,9	37,5	757,3	212,7	33,9	741,2	220,6	32,5	<b>716,7</b>	<b>232,1</b>	<b>30,4</b>
	8	815,9	196,3	39,4	776,5	215,1	35,7	760,2	222,9	34,2	734,6	234,7	31,9
	9	836,3	198,6	41,4	795,6	217,6	37,4	778,5	225,5	35,8	753,3	237,0	33,6
	10	856,2	201,2	43,3	814,8	220,0	39,3	797,5	228,1	37,6	771,3	239,9	35,2
	12	897,1	206,1	47,6	853,4	225,4	43,1	835,6	233,2	41,3	807,9	247,4	38,6
850	5	847,4	210,0	42,5	806,7	230,5	38,5	789,5	239,0	36,9	763,2	251,7	34,4
	6	872,8	212,3	45,0	830,1	233,1	40,7	812,9	241,6	39,1	785,6	254,6	36,5
	7	898,1	214,9	47,7	854,5	235,7	43,2	836,3	244,4	41,4	<b>808,7</b>	<b>257,2</b>	<b>38,7</b>
	8	920,6	217,5	50,1	876,2	238,3	45,4	857,8	247,0	43,5	828,9	260,1	40,6
	9	943,6	220,1	52,7	897,7	241,2	47,7	878,4	249,9	45,6	850,0	262,7	42,7
	10	966,1	223,0	55,2	919,4	243,8	50,0	899,8	252,8	47,9	870,3	265,8	44,8
	12	1012,2	228,4	60,6	963,0	249,8	54,8	942,9	258,5	52,6	911,6	274,1	49,1
950	5	958,7	229,5	24,0	912,6	251,9	21,7	893,2	261,1	20,8	863,4	275,1	19,4
	6	987,3	232,0	25,4	939,1	254,7	23,0	919,6	263,9	22,0	888,7	278,2	20,6
	7	1016,0	234,8	26,9	966,6	257,6	24,4	946,1	267,1	23,3	<b>914,9</b>	<b>281,0</b>	<b>21,8</b>
	8	1041,5	237,7	28,3	991,2	260,4	25,6	970,4	269,9	24,5	937,7	284,2	22,9
	9	1067,5	240,5	29,7	1015,6	263,5	26,9	993,7	273,0	25,7	961,6	287,0	24,1
	10	1092,9	243,6	31,1	1040,1	266,4	28,2	1018,0	276,2	27,0	984,5	290,5	25,3
	12	1145,1	249,6	34,2	1089,4	272,9	30,9	1066,7	282,4	29,7	1031,2	299,5	27,7
1000	5	1020,0	245,9	25,5	971,0	270,0	23,1	950,3	279,8	22,2	918,6	294,8	20,7
	6	1050,5	248,7	27,1	999,1	273,0	24,5	978,5	282,9	23,5	945,6	298,2	21,9
	7	1081,0	251,7	28,7	1028,5	276,1	26,0	1006,6	286,2	24,9	<b>973,4</b>	<b>301,2</b>	<b>23,3</b>
	8	1108,1	254,7	30,1	1054,6	279,1	27,3	1032,5	289,3	26,2	997,7	304,6	24,4
	9	1135,8	257,8	31,7	1080,5	282,5	28,7	1057,3	292,6	27,4	1023,1	307,6	25,7
	10	1162,9	261,1	33,2	1106,7	285,5	30,1	1083,1	296,0	28,8	1047,5	311,3	26,9
	12	1218,3	267,5	36,4	1159,1	292,5	33,0	1134,9	302,7	31,6	1097,2	321,0	29,6
1100	5	1129,2	269,0	31,9	1074,9	295,3	28,9	1052,0	306,1	27,7	1016,9	322,5	25,9
	6	1162,9	272,0	33,8	1106,1	298,7	30,6	1083,2	309,4	29,4	1046,8	326,2	27,4
	7	1196,7	275,3	35,8	1138,6	302,0	32,4	1114,4	313,1	31,1	<b>1077,6</b>	<b>329,5</b>	<b>29,1</b>
	8	1226,7	278,6	37,7	1167,5	305,3	34,1	1142,9	316,4	32,7	1104,5	333,2	30,5
	9	1257,3	282,0	39,6	1196,2	309,0	35,8	1170,4	320,1	34,3	1132,6	336,5	32,1
	10	1287,3	285,6	41,5	1225,1	312,3	37,6	1199,0	323,8	36,0	1159,6	340,5	33,6
	12	1348,7	292,6	45,5	1283,1	320,0	41,2	1256,4	331,1	39,5	1214,7	351,2	36,9
1250	5	1440,5	303,9	51,9	1371,4	331,0	47,1	1342,4	342,4	45,1	1296,9	359,9	42,1
	6	1262,6	312,7	39,9	1202,0	343,3	36,2	1176,4	355,8	34,7	1137,1	374,9	32,4
	7	1300,4	316,2	42,4	1236,8	347,2	38,3	1211,2	359,7	36,7	1170,5	379,2	34,3
	8	1338,1	320,1	44,8	1273,1	351,1	40,6	1246,1	364,0	38,9	<b>1204,9</b>	<b>385,0</b>	<b>36,4</b>
	9	1371,7	323,9	47,1	1305,5	354,9	42,7	1278,0	367,9	40,9	1235,1	387,3	38,2
	10	1406,0	327,8	49,5	1337,6	359,2	44,8	1308,8	372,1	42,9	1266,5	391,2	40,2
	12	1439,5	332,0	51,9	1369,9	363,1	47,0	1340,7	376,4	45,0	1296,6	395,9	42,1
	15	1508,1	340,1	57,0	1434,8	372,0	51,6	1404,9	384,9	49,4	1358,2	404,4	46,2
	15	1610,8	353,2	65,0	1533,5	384,7	58,9	1501,1	398,1	56,4	1450,2	418,4	52,7

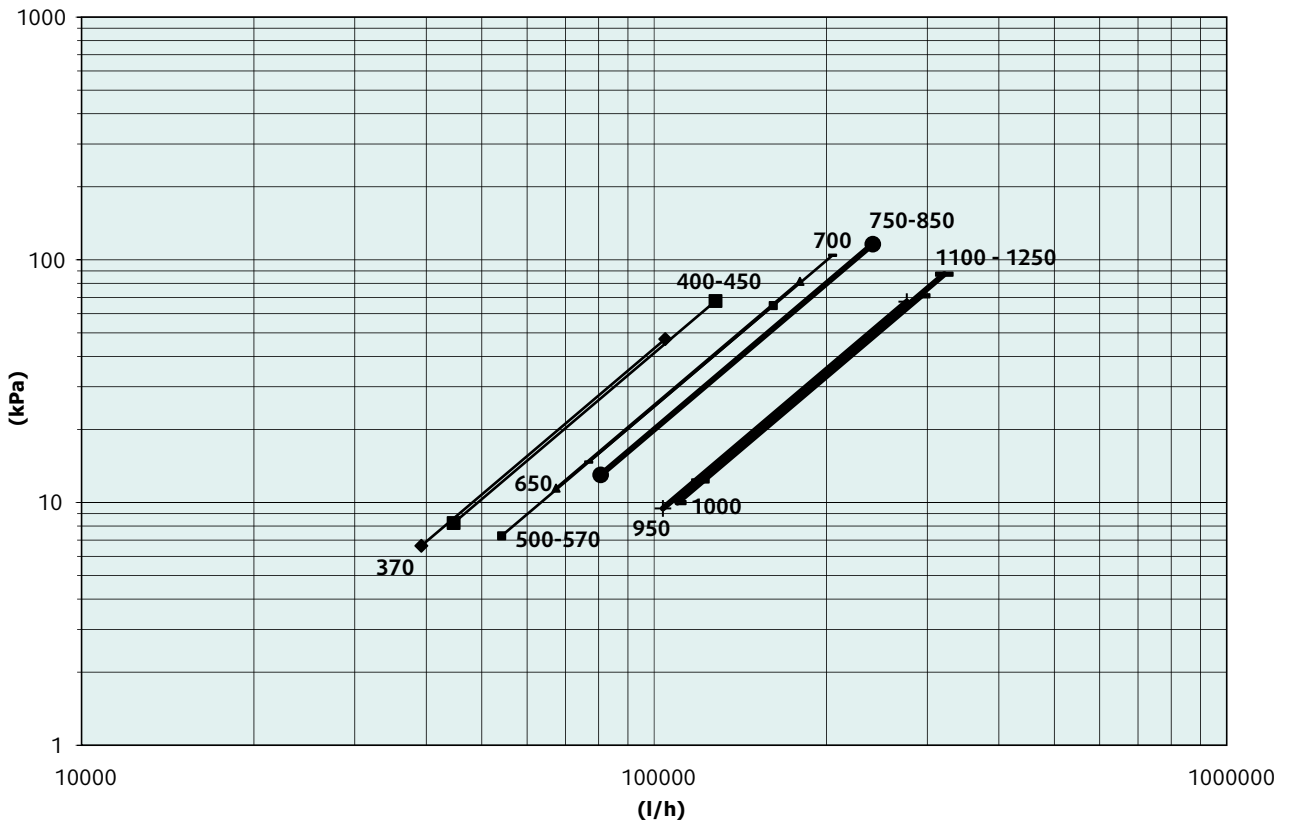
\* Only Compressors.

Model	LWT °C	Condensing Air Temperature °C								
		40			44			46		
		Cool	Input Power (*)	Pressure Drop	Cool	Input Power (*)	Pressure Drop	Cool	Input Power (*)	Pressure Drop
		kW	kW	kPa	kW	kW	kPa	kW	kW	kPa
750	5	628,8	252,3	23,4	599,4	268,4	21,2	570,0	284,5	19,2
	6	647,5	254,9	24,8	617,2	271,2	22,5	586,9	287,4	20,4
	7	666,0	257,6	26,2	635,0	273,9	23,8	604,0	290,1	21,6
	8	683,1	260,0	27,6	651,2	276,4	25,1	619,3	292,9	22,7
	9	700,3	262,6	29,0	667,5	279,1	26,3	634,7	295,6	23,8
	10	716,2	265,3	30,3	683,0	281,9	27,6	649,8	298,6	25,0
	12	750,8	271,0	33,3	715,6	287,9	30,3	680,4	304,8	27,4
15	802,3	279,5	38,1	764,6	296,6	34,6	726,9	313,7	31,2	
850	5	709,5	279,6	29,8	676,3	297,4	27,0	643,2	315,2	24,5
	6	730,7	282,5	31,6	696,4	300,5	28,7	662,2	318,5	25,9
	7	751,5	285,4	33,4	716,5	303,5	30,4	681,5	321,6	27,5
	8	770,8	288,1	35,1	734,8	306,3	31,9	698,8	324,6	28,9
	9	790,2	291,0	36,9	753,2	309,3	33,5	716,2	327,6	30,3
	10	808,1	294,0	38,6	770,6	312,4	35,1	733,2	330,9	31,8
	12	847,1	300,4	42,4	807,4	319,1	38,5	767,7	337,7	34,9
15	905,3	309,7	48,5	862,7	328,7	44,0	820,2	347,6	39,8	
950	5	802,6	305,4	16,8	765,1	324,9	15,3	727,6	344,4	13,8
	6	826,6	308,7	17,8	787,9	328,3	16,2	749,1	348,0	14,6
	7	850,2	311,9	18,8	810,6	331,6	17,1	771,0	351,3	15,5
	8	871,9	314,8	19,8	831,2	334,7	18,0	790,5	354,6	16,3
	9	893,9	318,0	20,8	852,1	338,0	18,9	810,2	357,9	17,1
	10	914,2	321,2	21,8	871,8	341,4	19,8	829,4	361,5	17,9
	12	958,3	328,2	23,9	913,4	348,6	21,7	868,5	369,0	19,7
15	1024,1	338,4	27,3	976,0	359,1	24,8	927,9	379,8	22,4	
1000	5	853,9	327,4	17,9	814,1	348,3	16,3	774,2	369,2	14,7
	6	879,5	330,8	19,0	838,3	351,9	17,2	797,1	373,0	15,6
	7	904,6	334,2	20,1	862,5	355,4	18,3	820,3	376,5	16,5
	8	927,7	337,4	21,1	884,4	358,7	19,2	841,1	380,1	17,4
	9	951,1	340,8	22,2	906,6	362,2	20,2	862,1	383,6	18,2
	10	972,7	344,2	23,2	927,6	365,9	21,1	882,5	387,5	19,1
	12	1019,6	351,8	25,5	971,8	373,6	23,2	924,1	395,5	21,0
15	1089,7	362,7	29,1	1038,4	384,9	26,5	987,2	407,1	23,9	
1100	5	945,3	358,1	22,4	901,2	381,0	20,3	857,1	403,8	18,4
	6	973,6	361,9	23,7	928,0	385,0	21,5	882,4	408,0	19,5
	7	1001,4	365,6	25,1	954,8	388,8	22,8	908,1	411,9	20,6
	8	1027,0	369,1	26,4	979,1	392,4	24,0	931,1	415,8	21,7
	9	1052,9	372,8	27,7	1003,6	396,2	25,2	954,3	419,6	22,8
	10	1076,8	376,6	29,0	1026,9	400,2	26,4	977,0	423,9	23,9
	12	1128,8	384,8	31,9	1075,8	408,7	29,0	1022,9	432,6	26,2
15	1206,3	396,8	36,4	1149,6	421,0	33,1	1092,9	445,3	29,9	
1250	5	1057,1	416,3	28,0	1007,7	442,9	25,4	958,4	469,4	23,0
	6	1088,7	420,7	29,7	1037,7	447,5	27,0	986,7	474,3	24,4
	7	1119,8	425,0	31,4	1067,6	451,9	28,5	1015,5	478,8	25,8
	8	1148,4	429,0	33,0	1094,8	456,2	30,0	1041,2	483,3	27,1
	9	1177,3	433,4	34,7	1122,2	460,6	31,5	1067,1	487,8	28,5
	10	1204,0	437,8	36,3	1148,2	465,2	33,0	1092,4	492,7	29,9
	12	1262,2	447,3	39,9	1203,0	475,1	36,2	1143,9	502,9	32,8
15	1348,9	461,2	45,6	1285,5	489,4	41,4	1222,1	517,6	37,4	

\* Only Compressors.

## Evaporator Pressure Drop - R134a

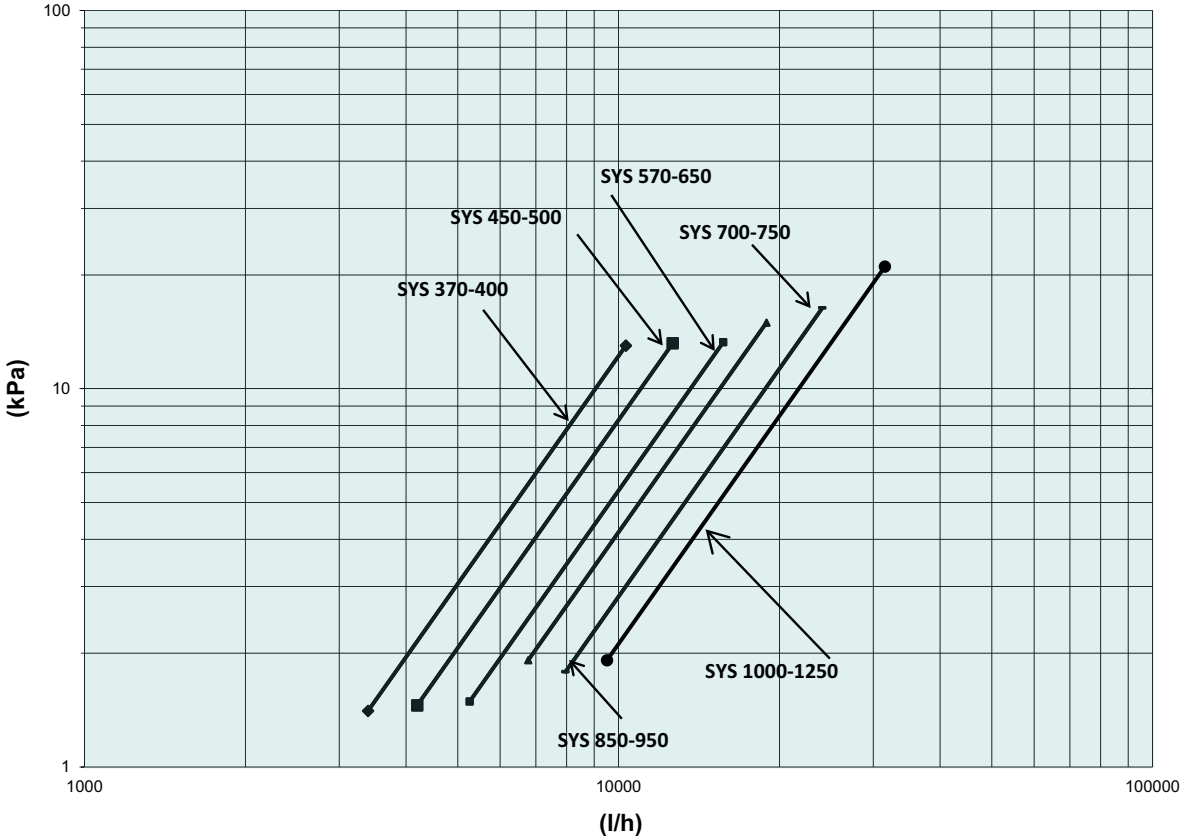
Model	Nom. Capacity	Qnom.	Qmax.	Qmin.	K	Dp nom	DP max	DP min
	kW	l/h	l/h	l/h	kPa/(l/h) <sup>2</sup>	kPa	kPa	kPa
370	365	62.739	104.565	39.212	4,314E-09	17,0	47,2	6,6
400	415	71.442	119.070	44.651	4,129E-09	21,1	58,5	8,2
450	447	76.798	127.997	47.999	4,129E-09	24,4	67,6	9,5
500	504	86.654	144.423	54.159	2,486E-09	18,7	51,8	7,3
570	563	96.870	161.451	60.544	2,486E-09	23,3	64,8	9,1
650	627	107.844	179.740	67.403	2,522E-09	29,3	81,5	11,5
700	715	122.980	204.967	76.863	2,485E-09	37,6	104,4	14,7
750	750	129.034	215.057	80.647	1,999E-09	33,3	92,4	13,0
850	840	144.549	240.915	90.343	1,999E-09	41,8	116,0	16,3
950	964	165.739	276.232	103.587	8,812E-10	24,2	67,2	9,5
1000	1.021	175.612	292.687	109.758	8,297E-10	25,6	71,1	10,0
1100	1.121	192.726	321.210	120.454	8,459E-10	31,4	87,3	12,3
1250	1.253	215.447	359.079	134.665	8,459E-10	39,3	109,1	15,3



### Desuperheater pressure drop

Model	Nom. Capacity	Qnom.	Qmax.	Qmin.	K	Dp nom	DP max	DP min
	kw*	l/h	l/h	l/h	kPa/(l/h) <sup>2</sup>	kPa	kPa	kPa
370	32	5431	9052	3394	1,2201E-07	3,6	10,0	1,4
400	36	6194	10324	3871	1,2201E-07	4,7	13,0	1,8
450	39	6716	11193	4197	8,2611E-08	3,7	10,3	1,5
500	44	7581	12635	4738	8,2611E-08	4,7	13,2	1,9
570	49	8420	14034	5263	5,3791E-08	3,8	10,6	1,5
650	55	9425	15708	5891	5,3791E-08	4,8	13,3	1,9
700	63	10836	18060	6773	4,1753E-08	4,9	13,6	1,9
750	66	11352	18920	7095	4,1753E-08	5,4	14,9	2,1
850	74	12728	21213	7955	2,8203E-08	4,6	12,7	1,8
950	84	14448	24080	9030	2,8203E-08	5,9	16,4	2,3
1000	89	15225	25375	9516	2,1147E-08	4,9	13,6	1,9
1100	97	16662	27771	10414	2,1147E-08	5,9	16,3	2,3
1250	110	18920	31533	11825	2,1147E-08	7,6	21,0	3,0

\* Capacity referred to only one circuit.



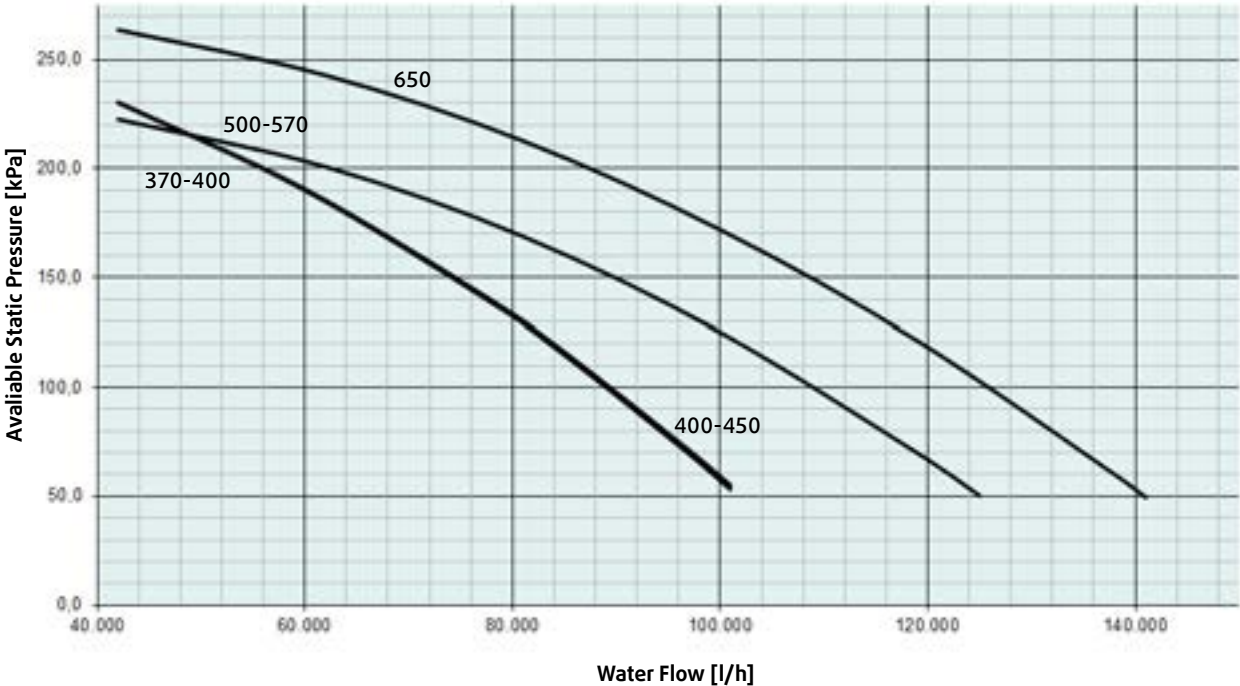
## Hydro options

Low head pump/s							
Chiller model	Pump model (3Ph-50Hz- 2 poles)	$Q_{nom}$	$H_{pump}$	$\Delta p_{circuit}$	H	Pmax	F.L.A
		l/h	kPa	kPa	kPa	kW	A
SyScrew Air 370 EVO	A	62.739	217	34	183	5,5	10,6
SyScrew Air 400 EVO		71.442	202	43	159	5,5	10,6
SyScrew Air 450 EVO		76.798	193	49	143	5,5	10,6
SyScrew Air 500 EVO	B	86.654	207	50	157	7,5	14,1
SyScrew Air 570 EVO		96.870	196	63	133	7,5	14,1
SyScrew Air 650 EVO	C	107.844	231	78	152	9,2	17,2
SyScrew Air 700 EVO	D	122.980	233	101	132	15,0	26,6
SyScrew Air 750 EVO		129.034	231	104	128	15,0	26,6
SyScrew Air 850 EVO		144.549	226	84	142	15,0	26,6
SyScrew Air 950 EVO		165.739	217	80	137	15,0	26,6
SyScrew Air 1000 EVO		175.612	212	89	123	15,0	26,6
SyScrew Air 1100 EVO		E	192.726	294	107	187	22,0
SyScrew Air 1250 EVO	215.344		279	134	145	22,0	40,4

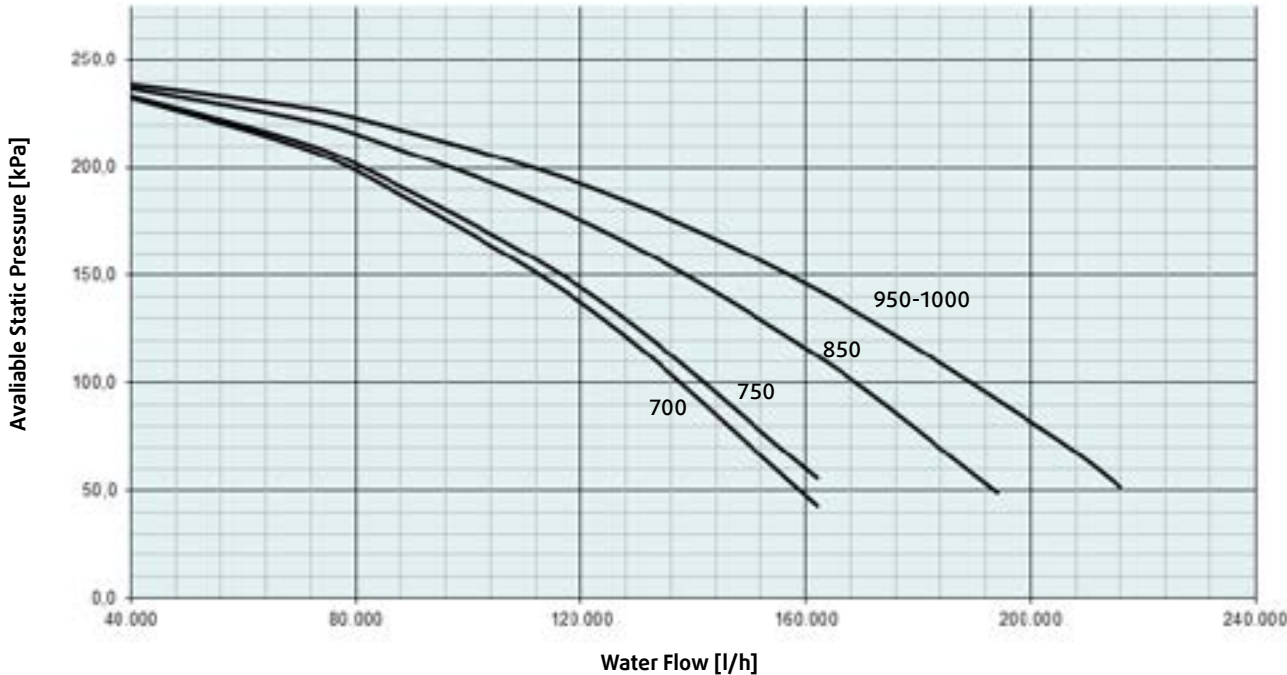
High head pump/s							
Chiller model	Pump model (3Ph-50Hz- 2 poles)	$Q_{nom}$	$H_{pump}$	$\Delta p_{circuit}$	H	Pmax	F.L.A
		l/h	kPa	kPa	kPa	kW	A
SyScrew Air 370 EVO	F	62.739	266	34	232	7,5	13,6
SyScrew Air 400 EVO		71.442	253	43	210	7,5	13,6
SyScrew Air 450 EVO	G	76.798	292	49	243	9,2	17,2
SyScrew Air 500 EVO		86.654	276	50	225	9,2	17,2
SyScrew Air 570 EVO	H	96.870	303	63	240	15,0	26,6
SyScrew Air 650 EVO		107.844	296	78	218	15,0	26,6
SyScrew Air 700 EVO	I	122.980	322	101	220	22,0	40,4
SyScrew Air 750 EVO		129.034	320	104	217	22,0	40,4
SyScrew Air 850 EVO		144.549	316	84	231	22,0	40,4
SyScrew Air 950 EVO		165.739	307	80	227	22,0	40,4
SyScrew Air 1000 EVO		175.612	303	89	214	22,0	40,4
SyScrew Air 1100 EVO		L	192.726	385	107	278	30,0
SyScrew Air 1250 EVO	215.344		372	134	238	30,0	53,5



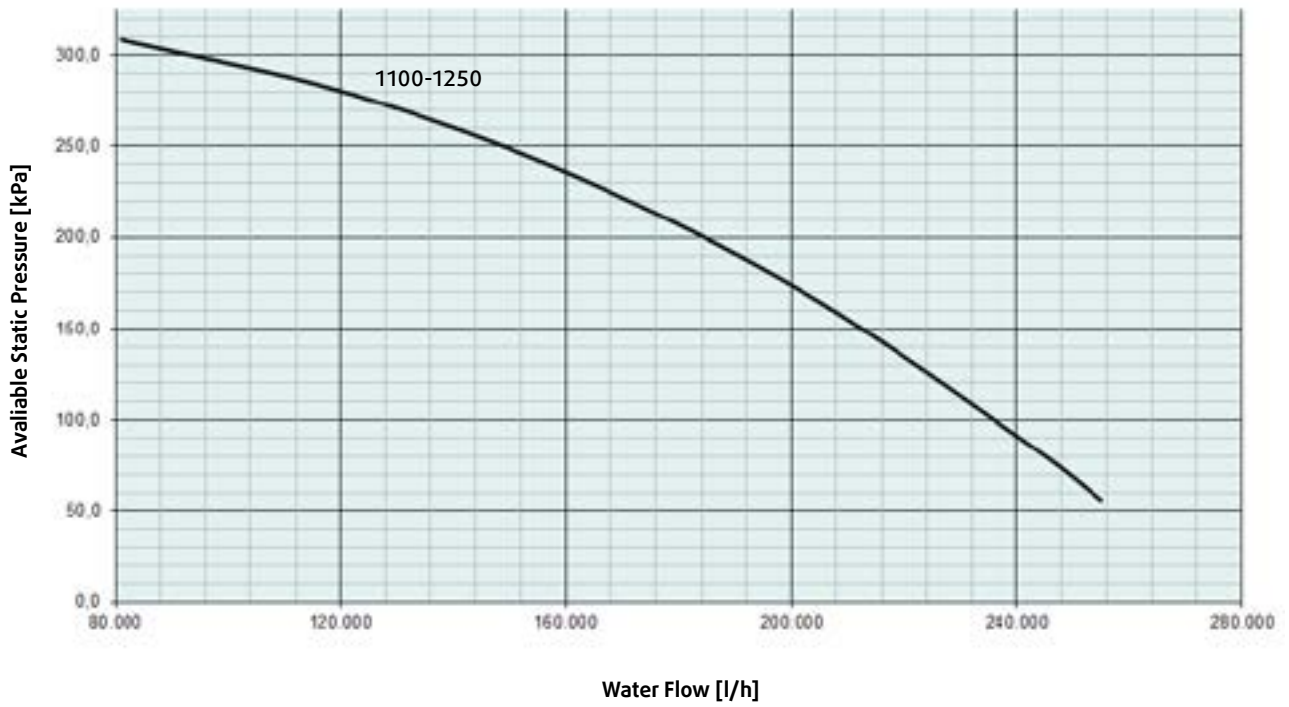
### Available Pressure (Low Head - Pump "A", "B" & "C") Models 370-650



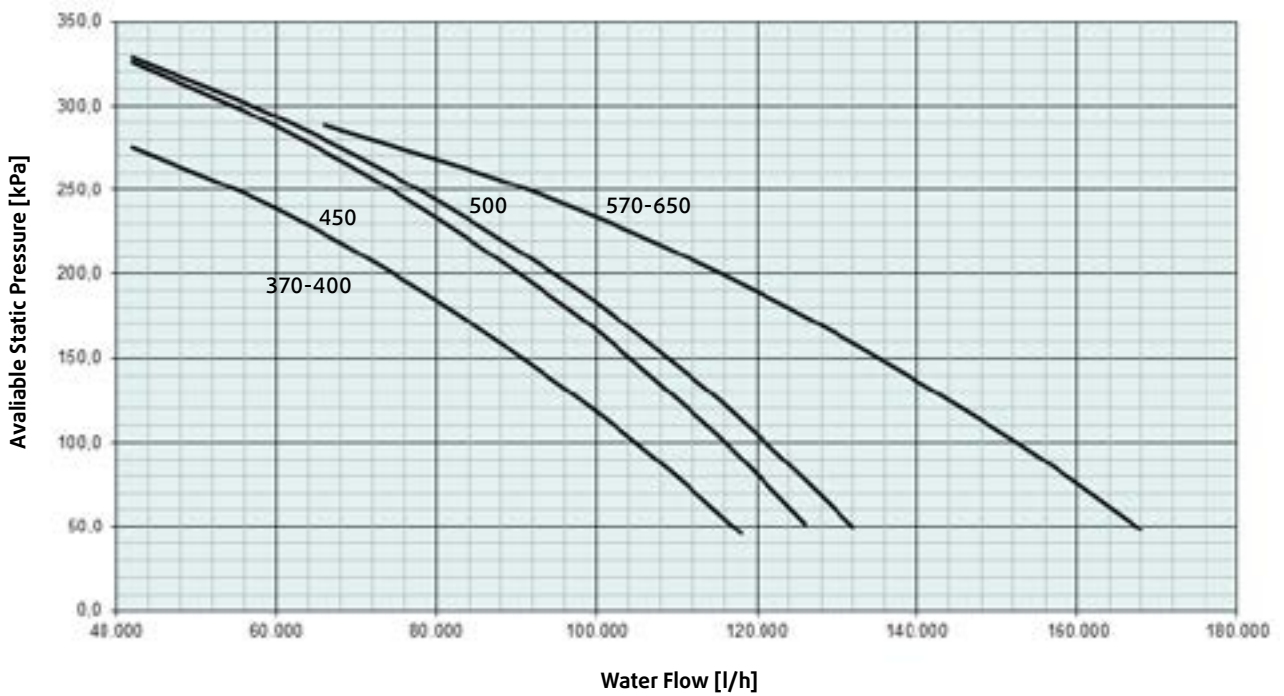
### Available Pressure (Low Head - Pump "D") Models 700-1000



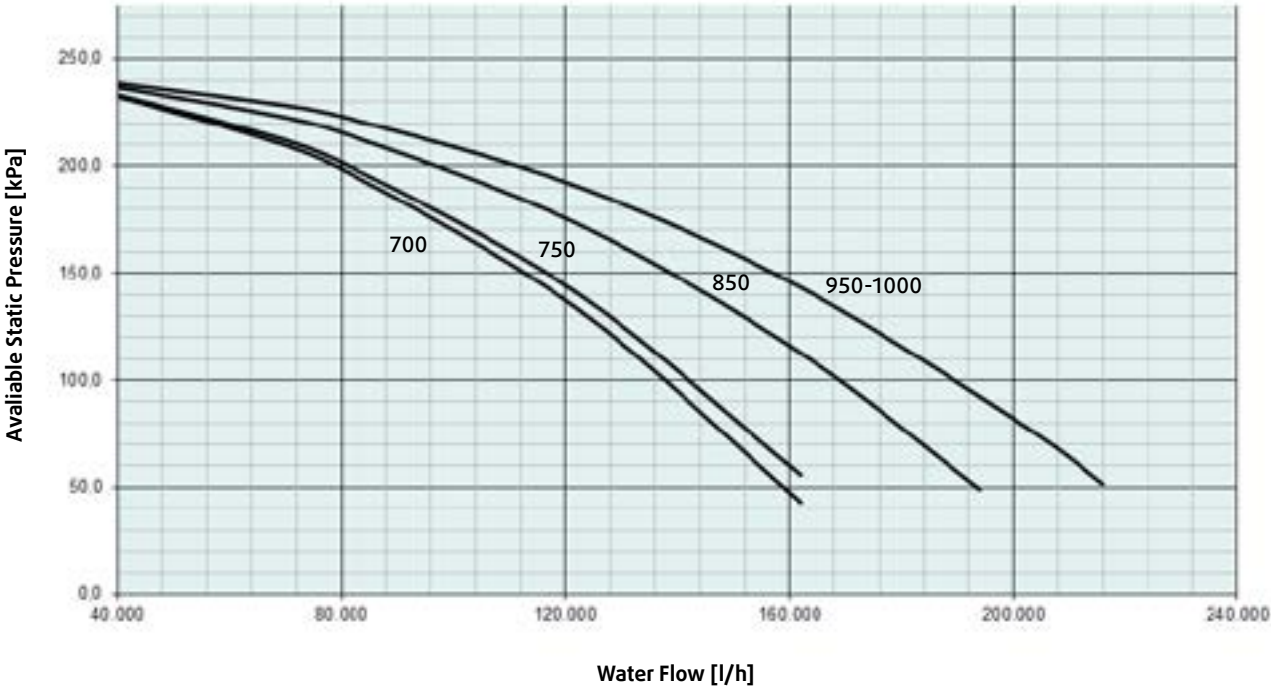
### Available Pressure (Low Head - Pump "E") Models 1100-1250



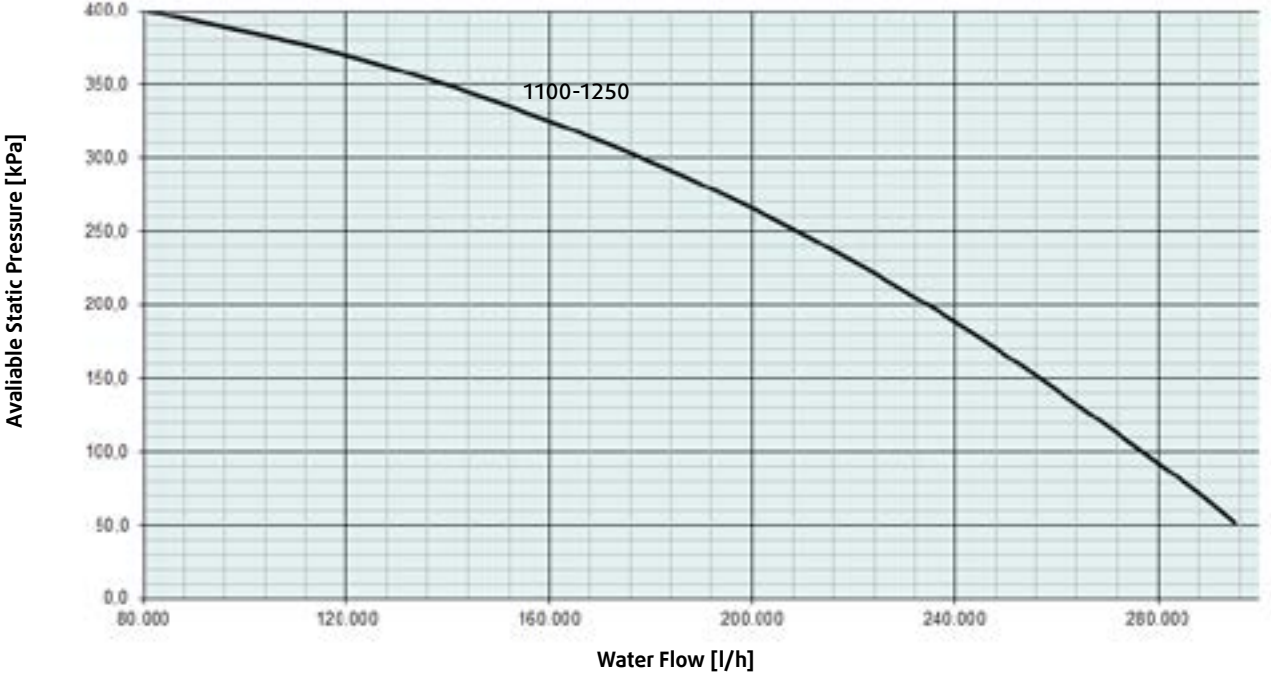
### Available Pressure (High Head - Pump "F", "G" & "H") Models 370-650



### Available Pressure (High Head - Pump "I") Models 700-1000

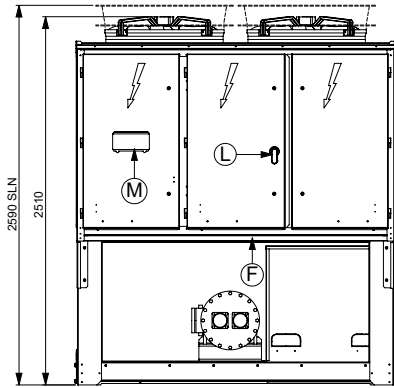


### Available Pressure (High Head - Pump "L") Models 1100-1250

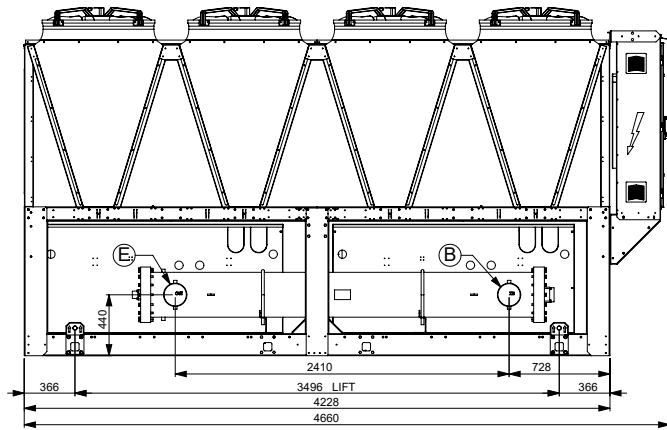


## Dimensions SyScrew - 4V 370

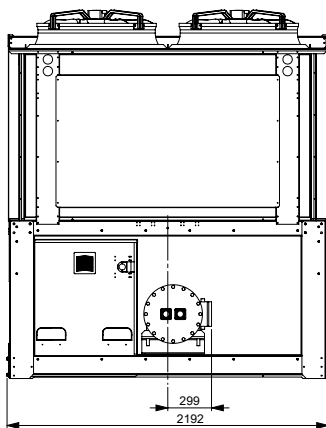
Front view



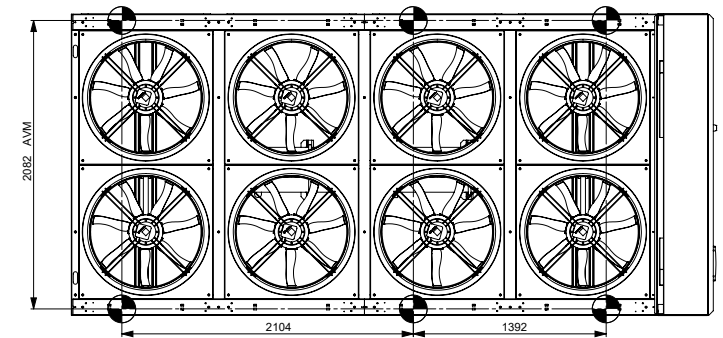
Side view



Back view



Top view



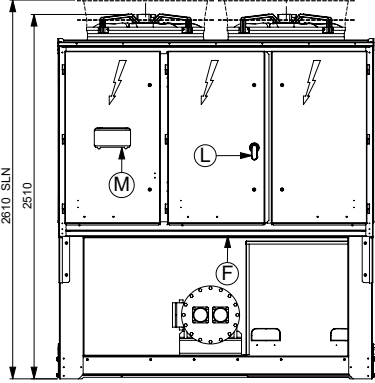
### NOTES

- B E Water connection 6" Victaulic  $\varnothing$  168 mm
- F Electrical power supply
- L Main switch
- M Control keypad / display

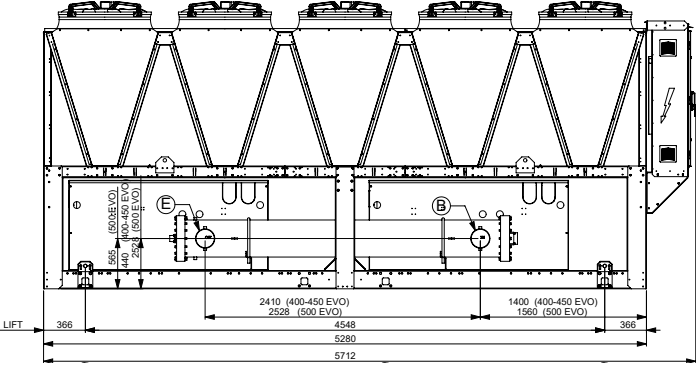
Hydraulic option	Water in	Water out
STD	B	E

# Dimensions SyScrew - 5V 400-450-500

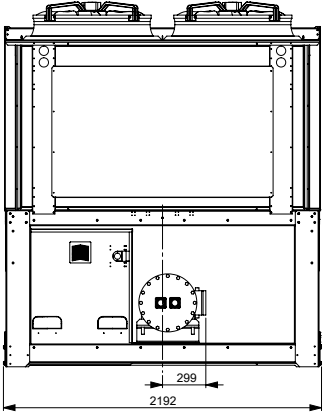
Front view



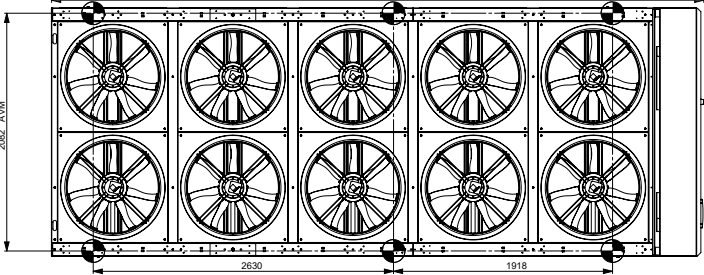
Side view



Back view



Top view



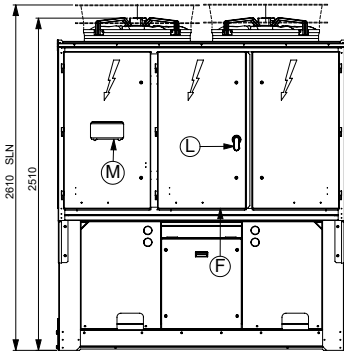
**NOTES**

- B E Water connection:  
6" Victaulic  $\varnothing$  168 mm (400-450)  
8" Victaulic  $\varnothing$  219 mm (500)
- F Electrical power supply
- L Main switch
- M Control keypad / display

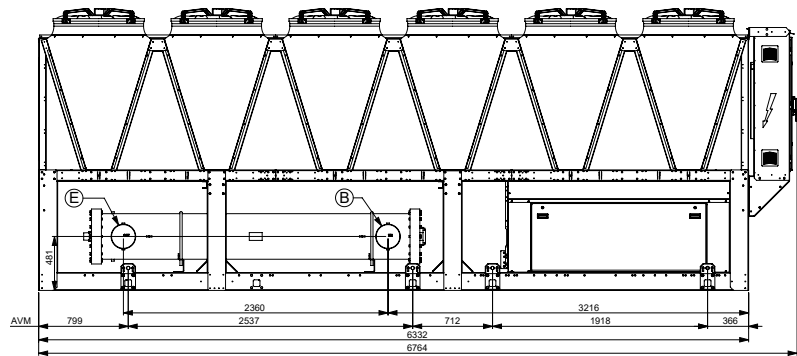
Hydraulic option	Water in	Water out
STD	B	E

## Dimensions SyScrew - 6V 570-650

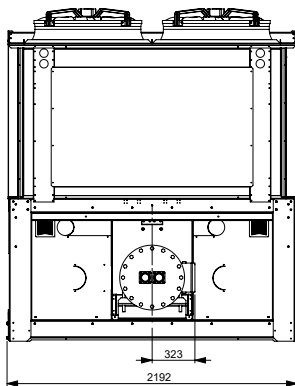
Front view



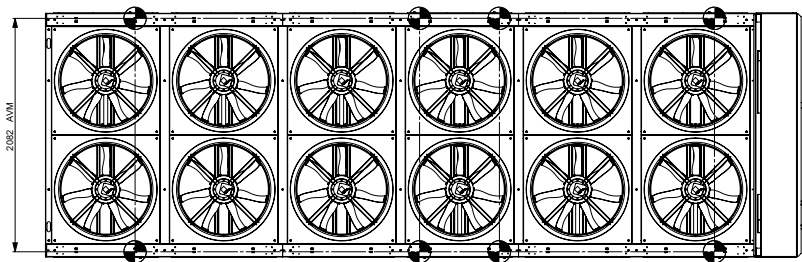
Side view



Back view



Top view



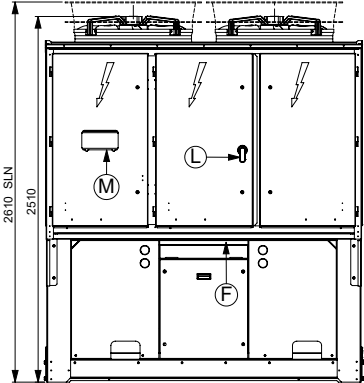
### NOTES

- B E Water connection 8" Victaulic  $\varnothing$  219 mm
- F Electrical power supply
- L Main switch
- M Control keypad / display

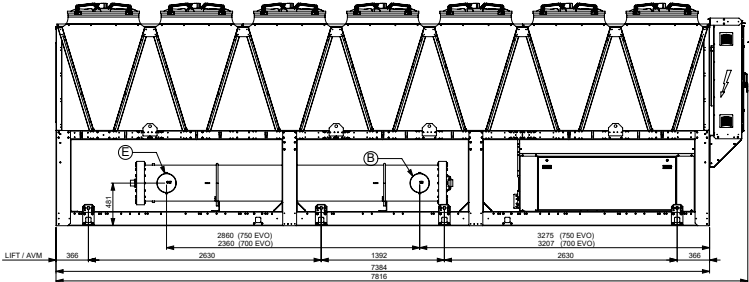
Hydraulic option	Water in	Water out
STD	B	E

# Dimensions SyScrew - 7V 700-750

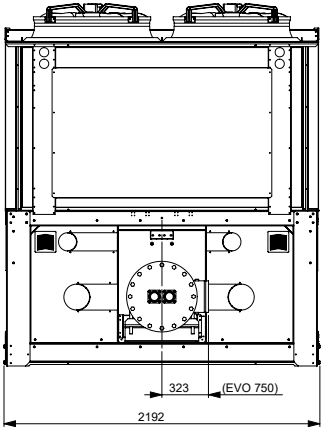
Front view



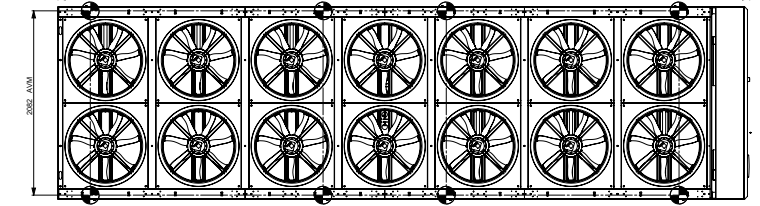
Side view



Back view



Top view



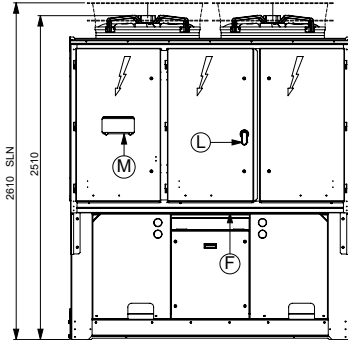
**NOTES**

- B E Water connection 8" Victaulic  $\varnothing$  219 mm
- F Electrical power supply
- L Main switch
- M Control keypad / display

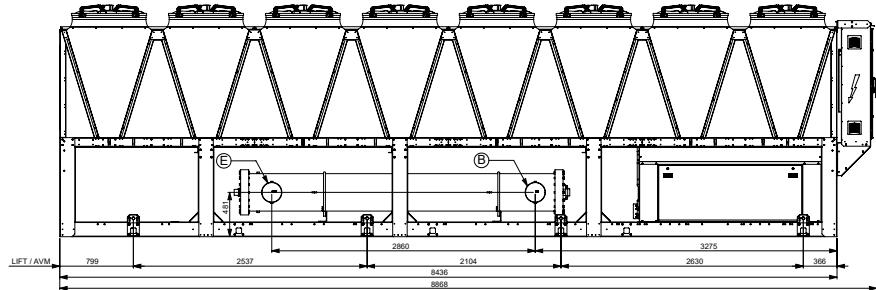
Hydraulic option	Water in	Water out
STD	B	E

## Dimensions SyScrew - 8V 850

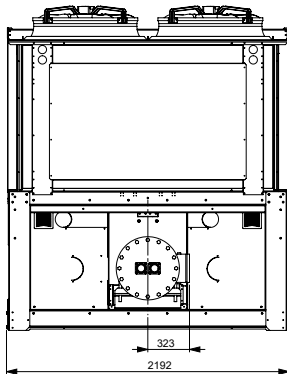
Front view



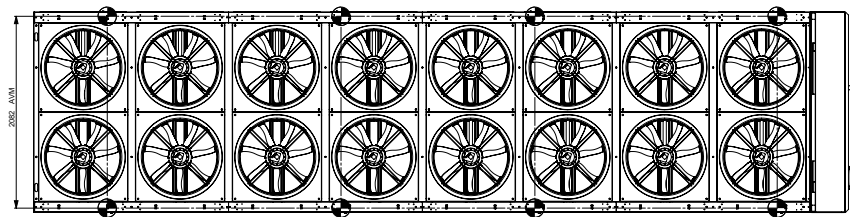
Side view



Back view



Top view



### NOTES

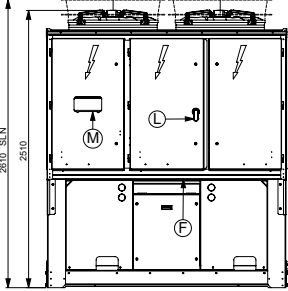
- B E Water connection 8" Victaulic  $\varnothing$  219 mm
- F Electrical power supply
- L Main switch
- M Control keypad / display

Hydraulic option	Water in	Water out
STD	B	E

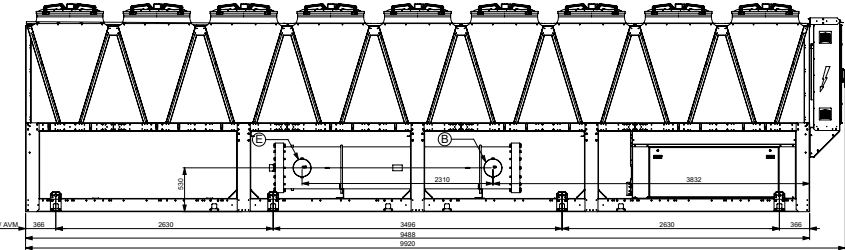


# Dimensions SyScrew - 9V 950

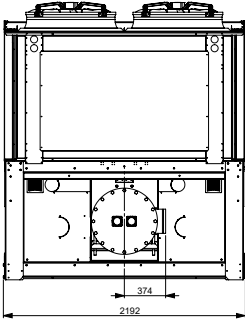
Front view



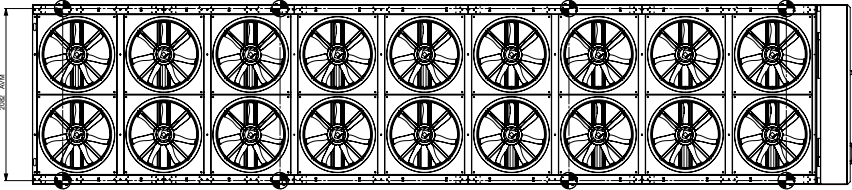
Side view



Back view



Top view



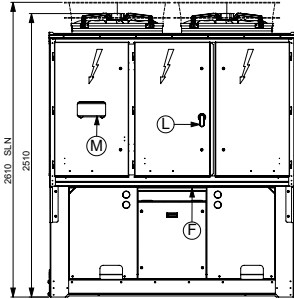
**NOTES**

- B E Water connection 8" Victaulic  $\varnothing$  219 mm
- F Electrical power supply
- L Main switch
- M Control keypad / display

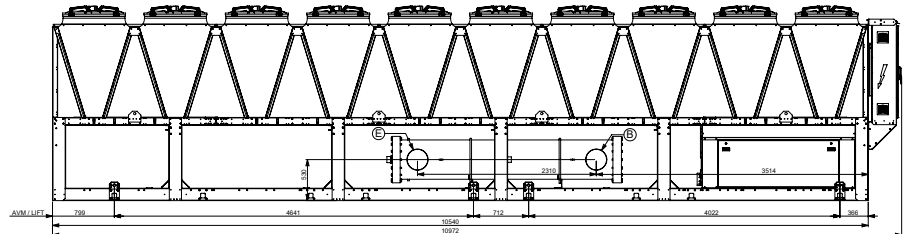
Hydraulic option	Water in	Water out
STD	B	E

## Dimensions SyScrew - 10V 1000

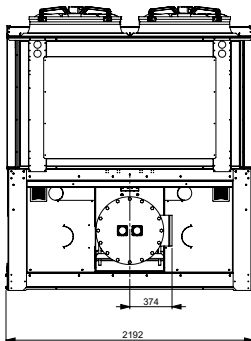
Front view



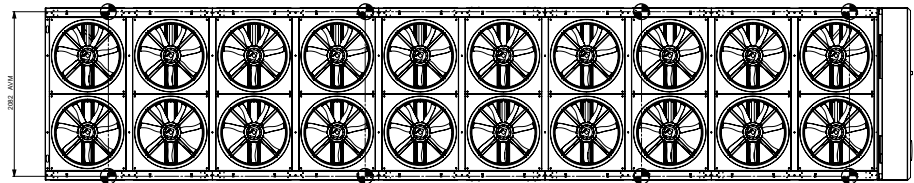
Side view



Back view



Top view



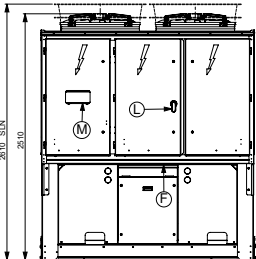
### NOTES

- B E Water connection 10" Victaulic  $\varnothing$  273 mm
- F Electrical power supply
- L Main switch
- M Control keypad / display

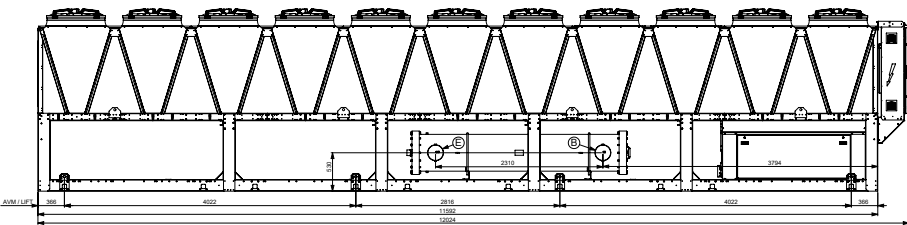
Hydraulic option	Water in	Water out
STD	B	E

# Dimensions SyScrew - 11V 1100

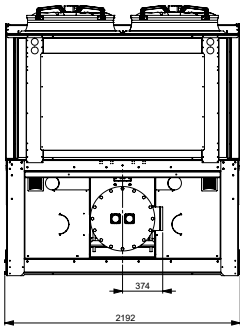
Front view



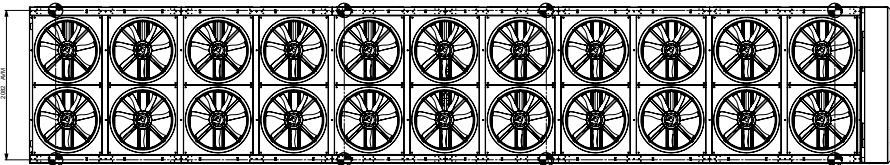
Side view



Back view



Top view



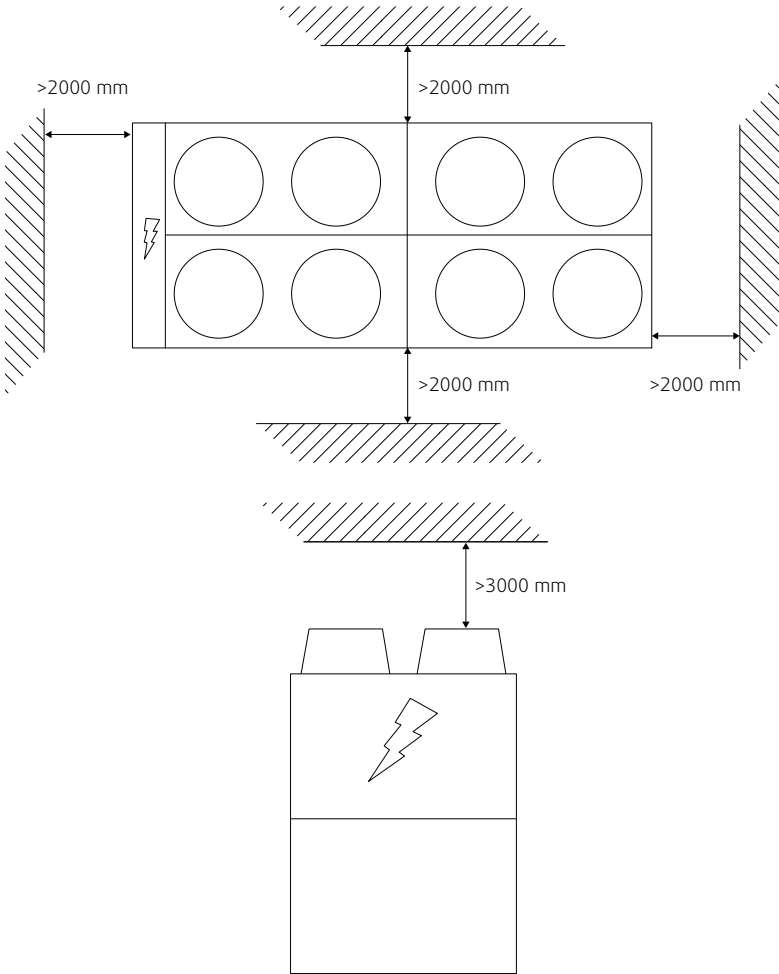
**NOTES**

- B E Water connection 10" Victaulic  $\varnothing$  273 mm
- F Electrical power supply
- L Main switch
- M Control keypad / display

Hydraulic option	Water in	Water out
STD	B	E



# Space Requirements





**Systemair srl**

Via XXV Aprile, 29  
20825 Barlassina (MB)  
Italy

Tel. +39 0362 680 1  
Fax +39 0362 680 693  
info@systemair.it