

OPTIMA-RES-A

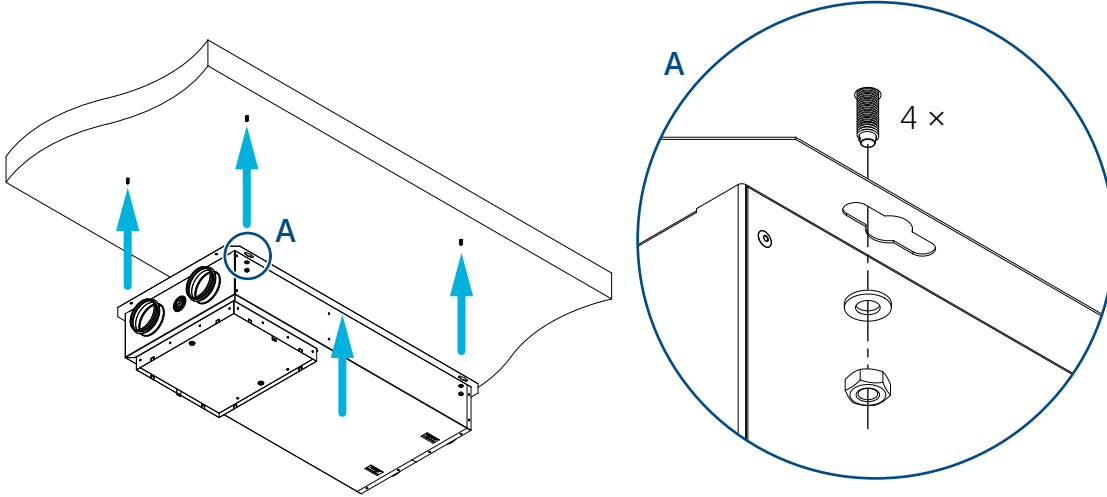
Residential VAV System Box

User Manual

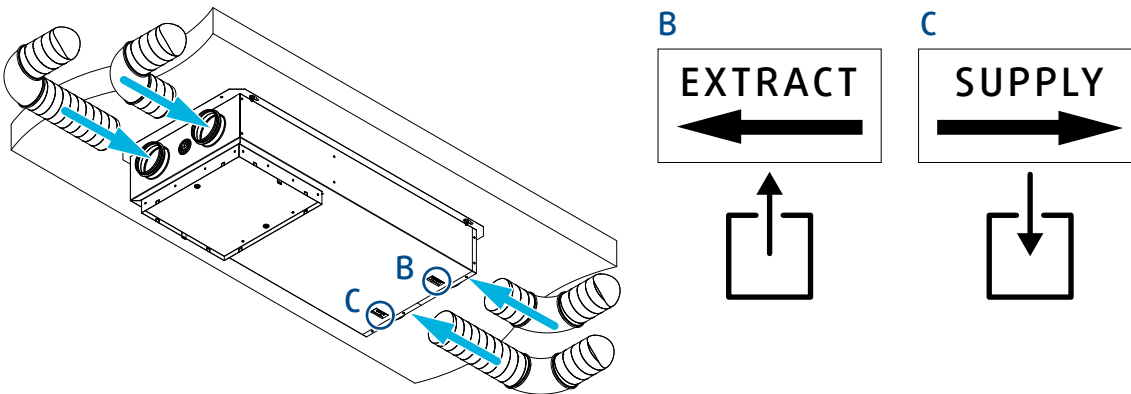




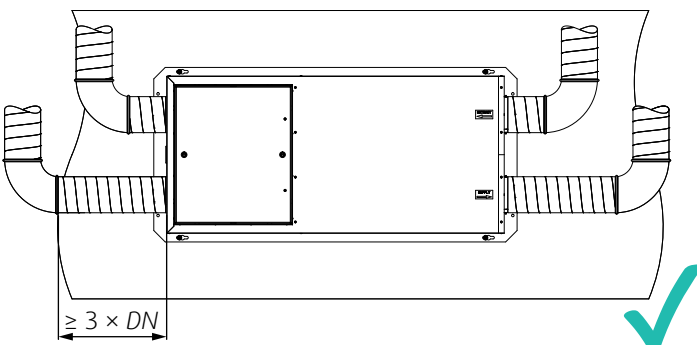
1.



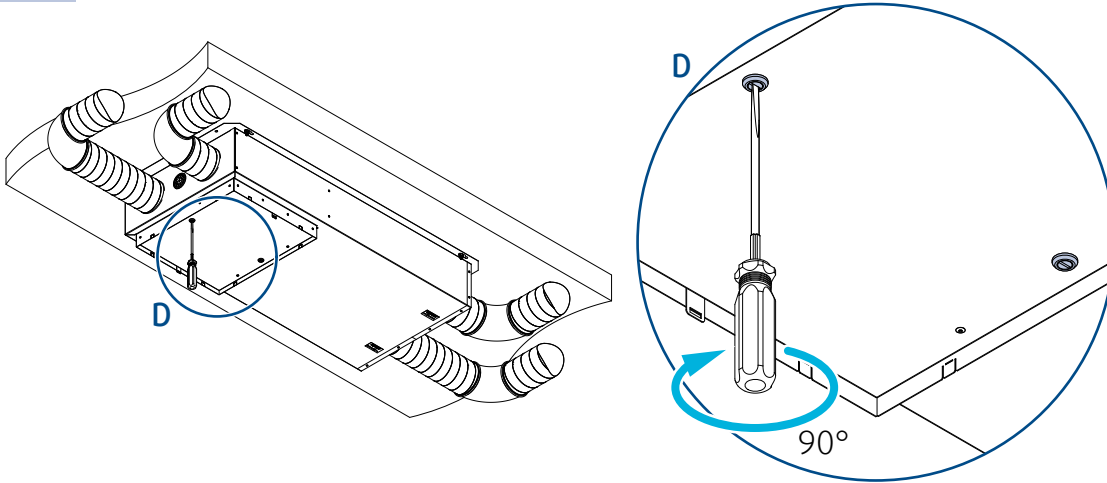
2.



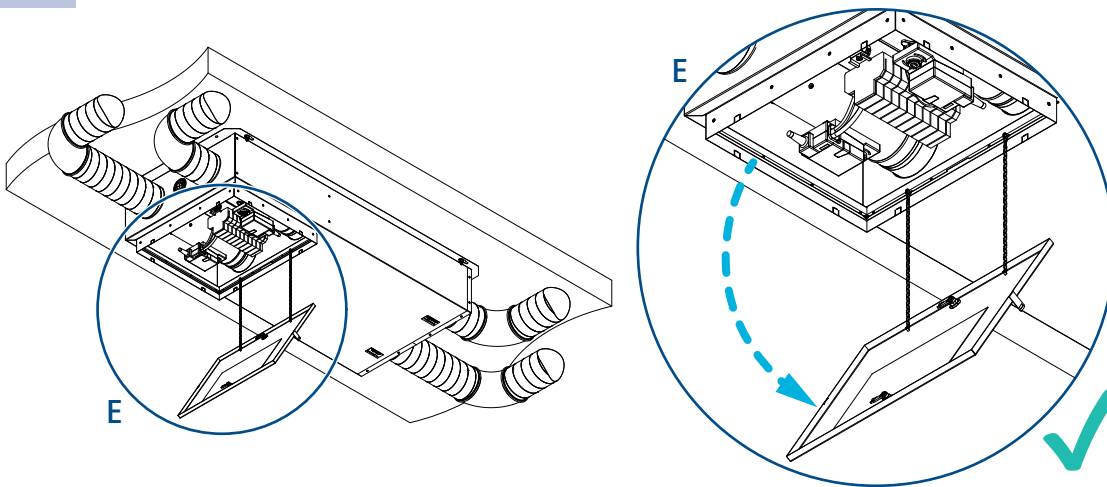
3.



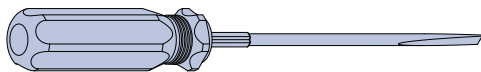
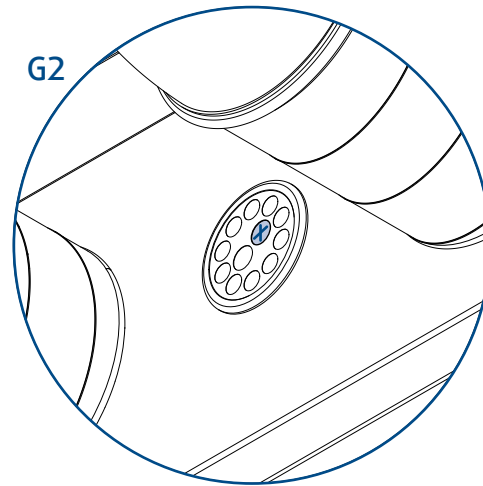
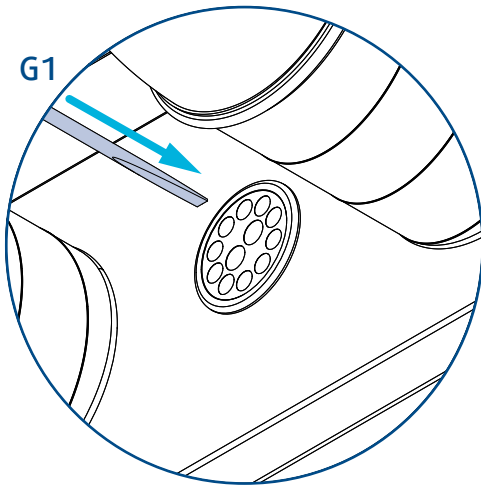
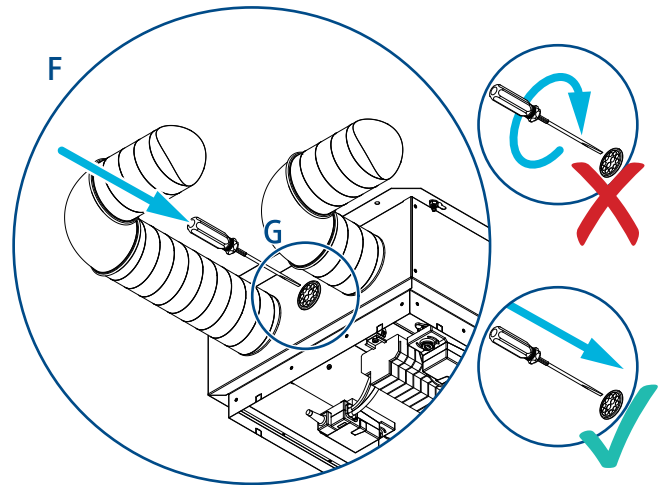
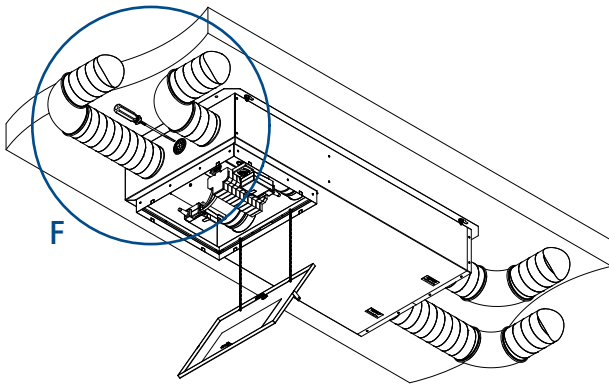
4.



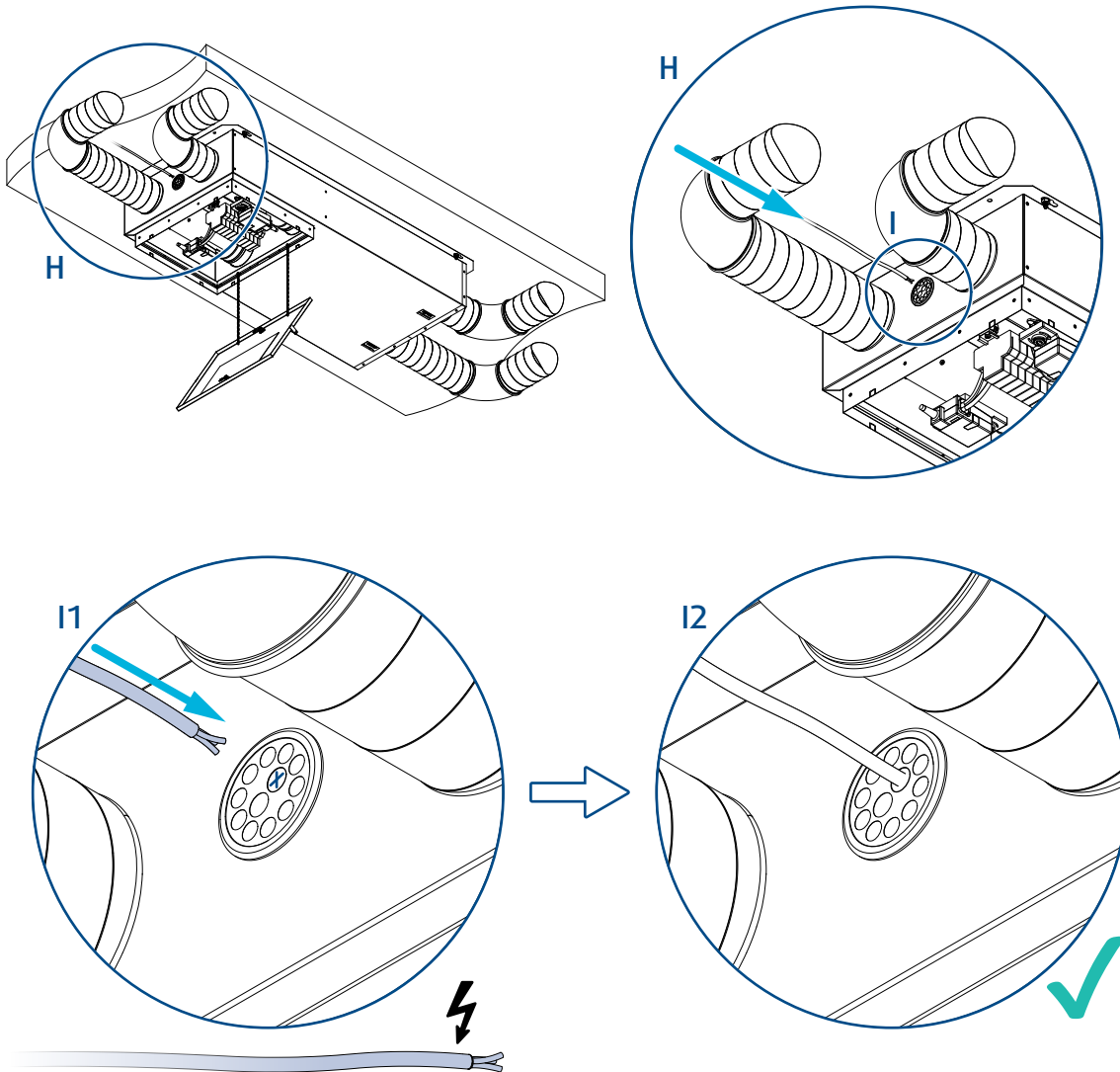
5.



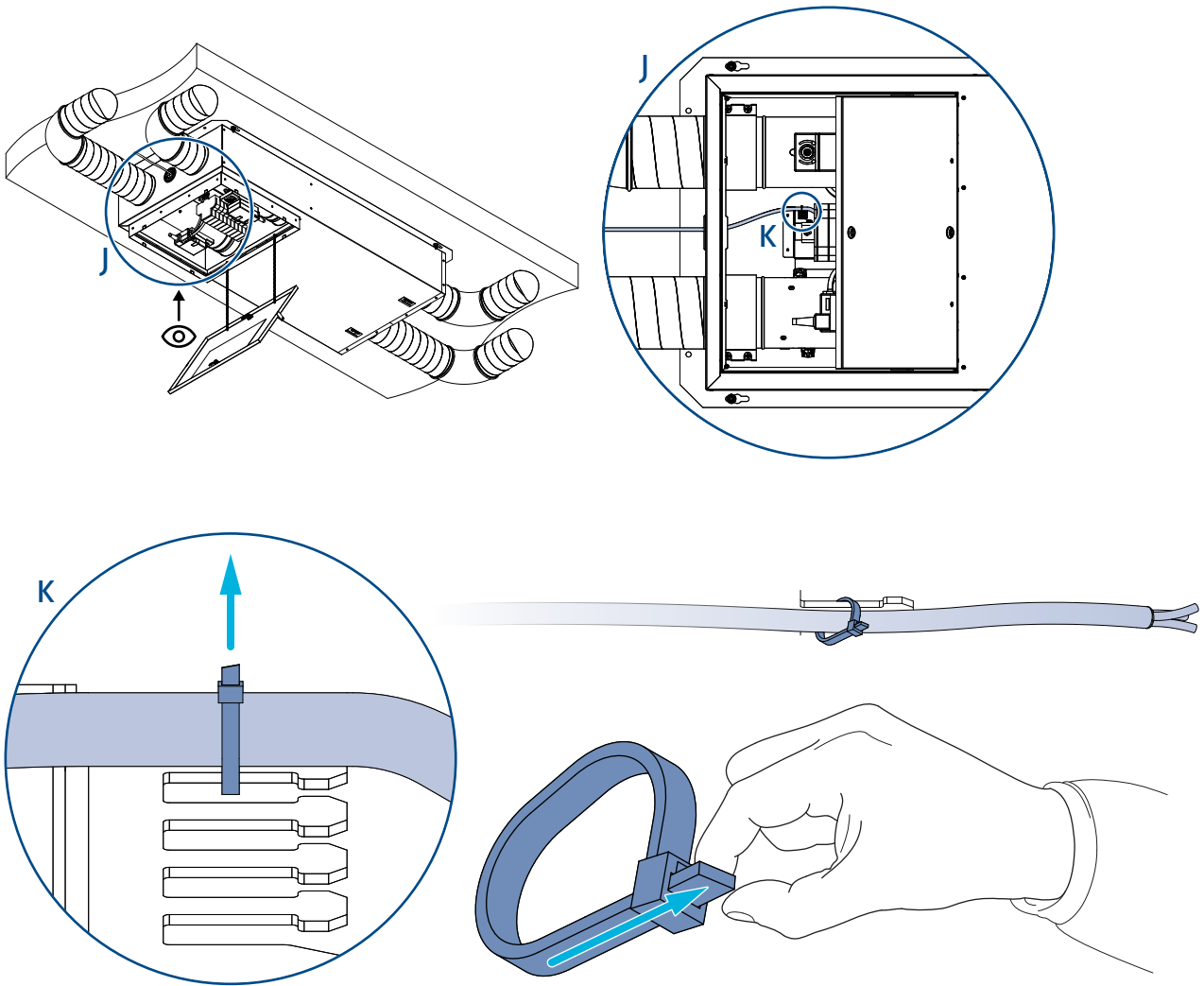
6.



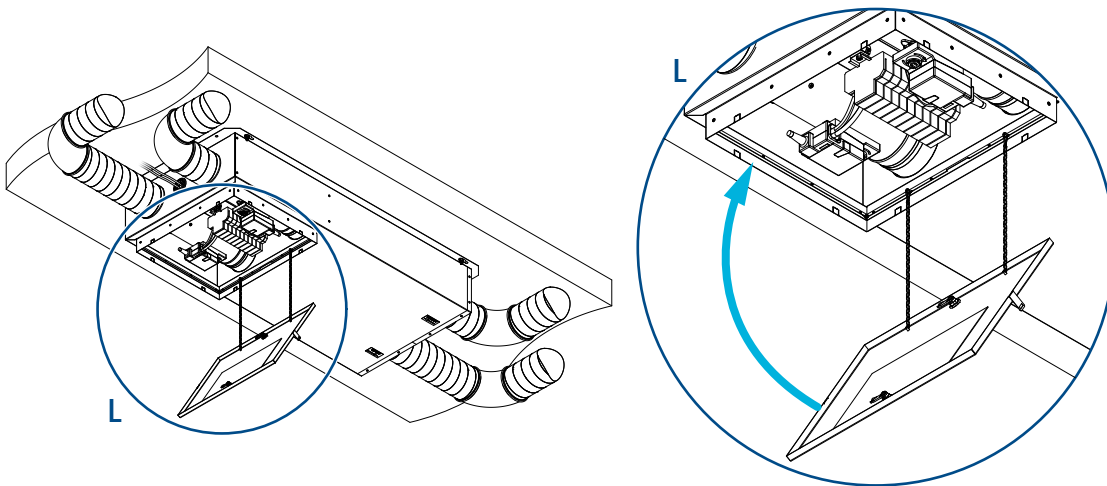
7.



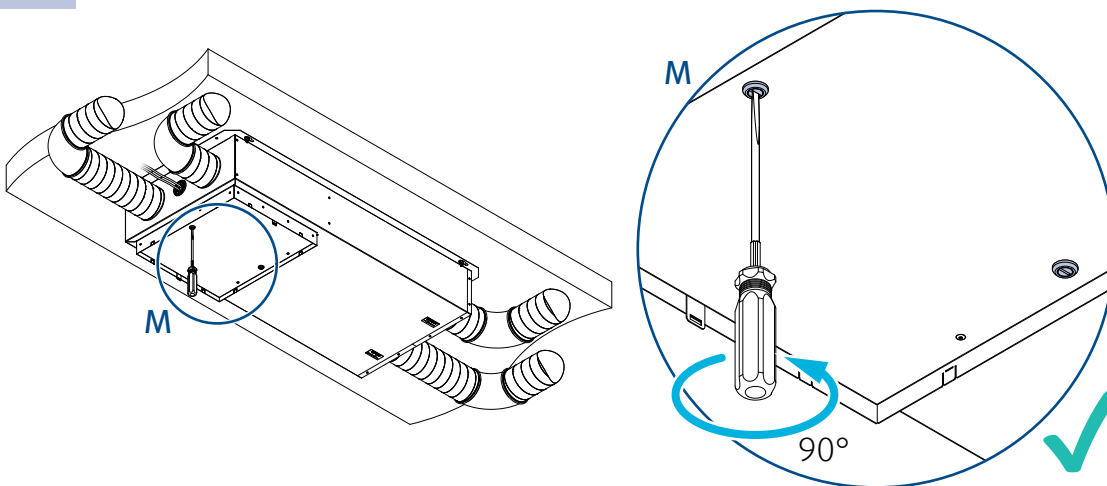
8.



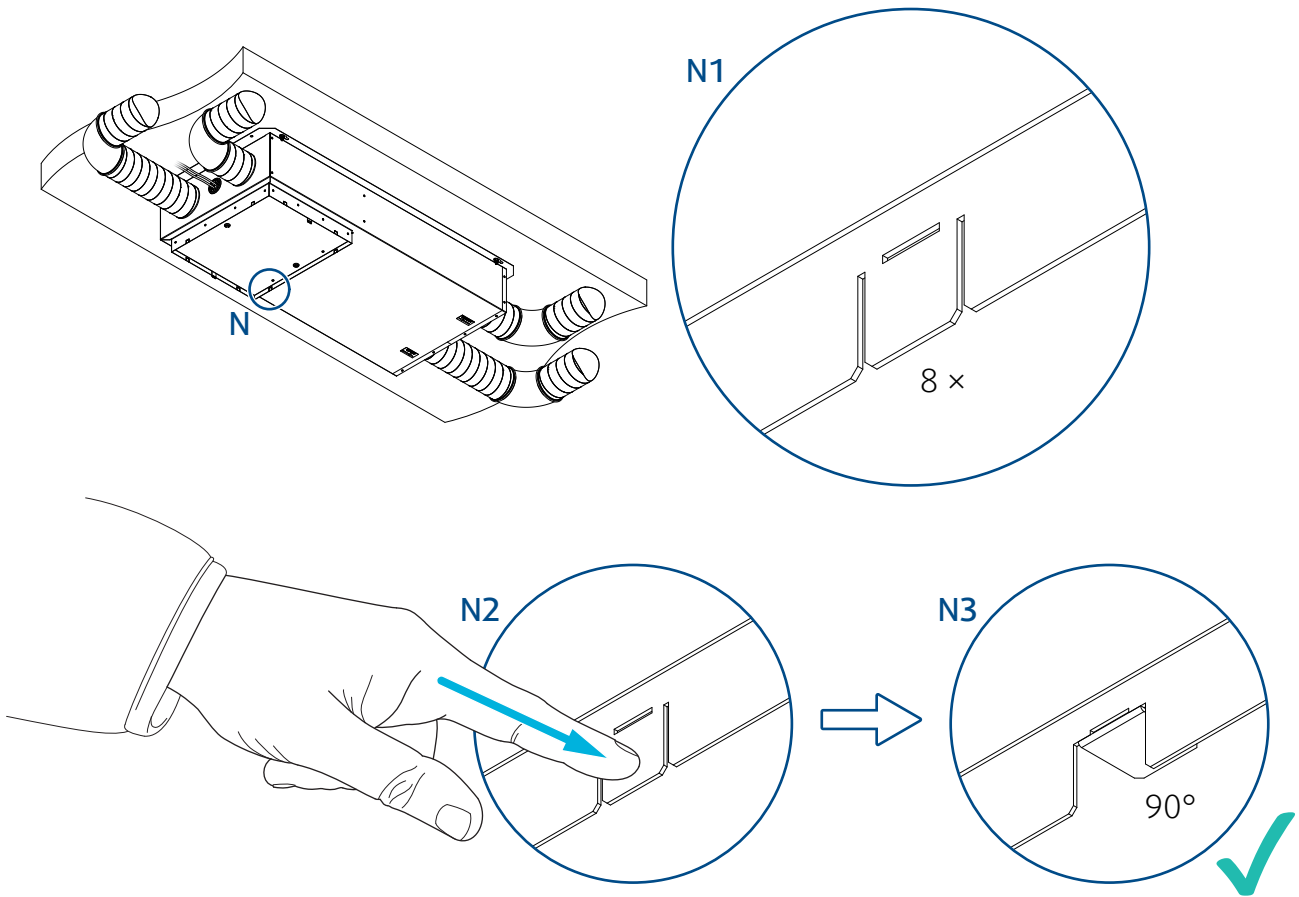
9.



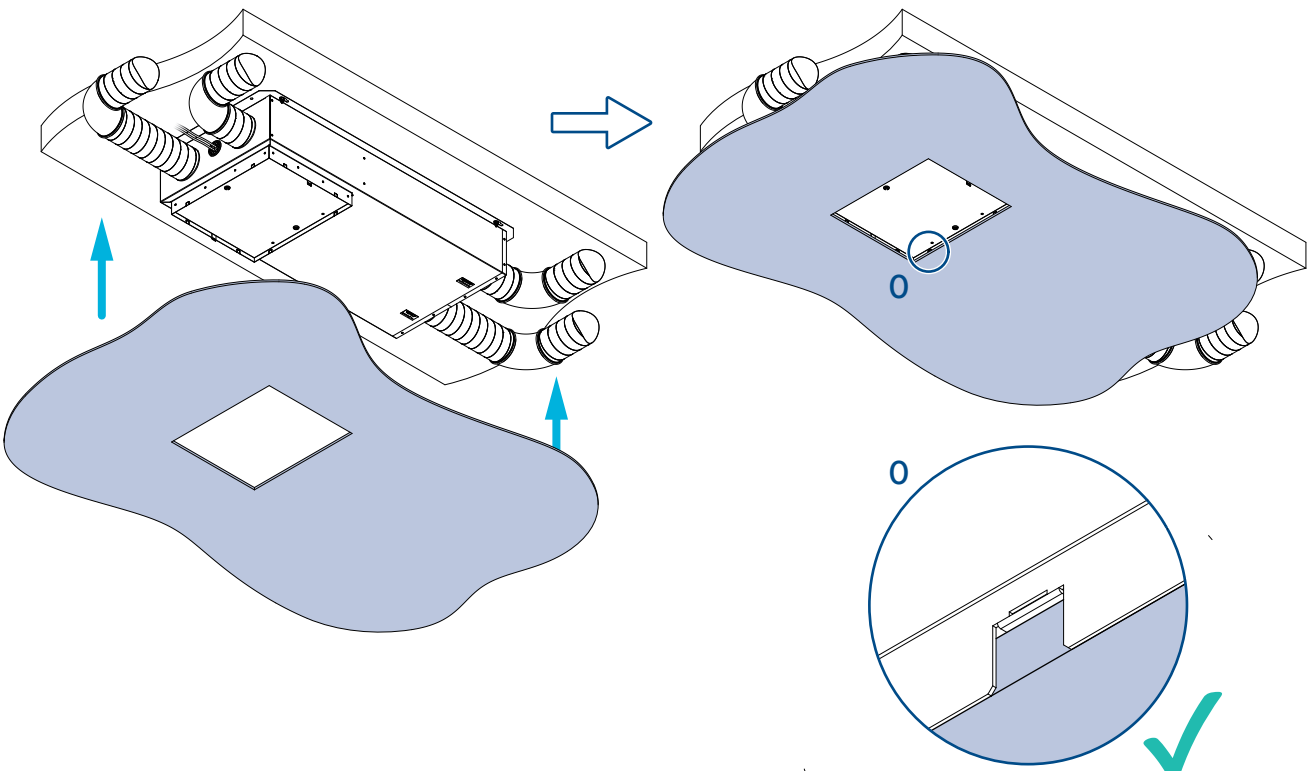
10.



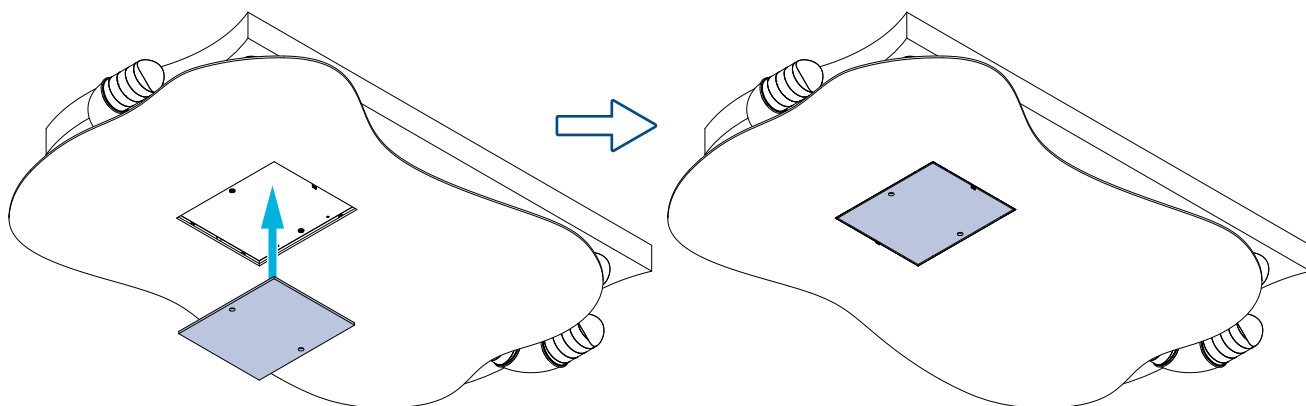
11.



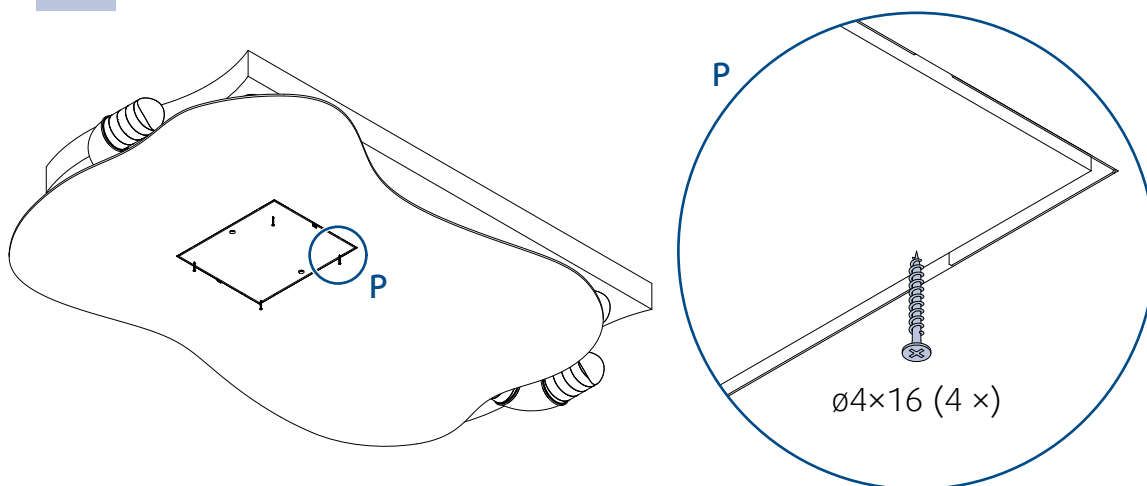
12.



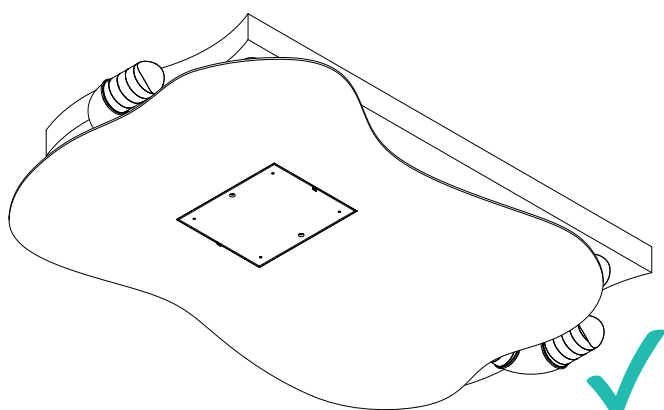
13.

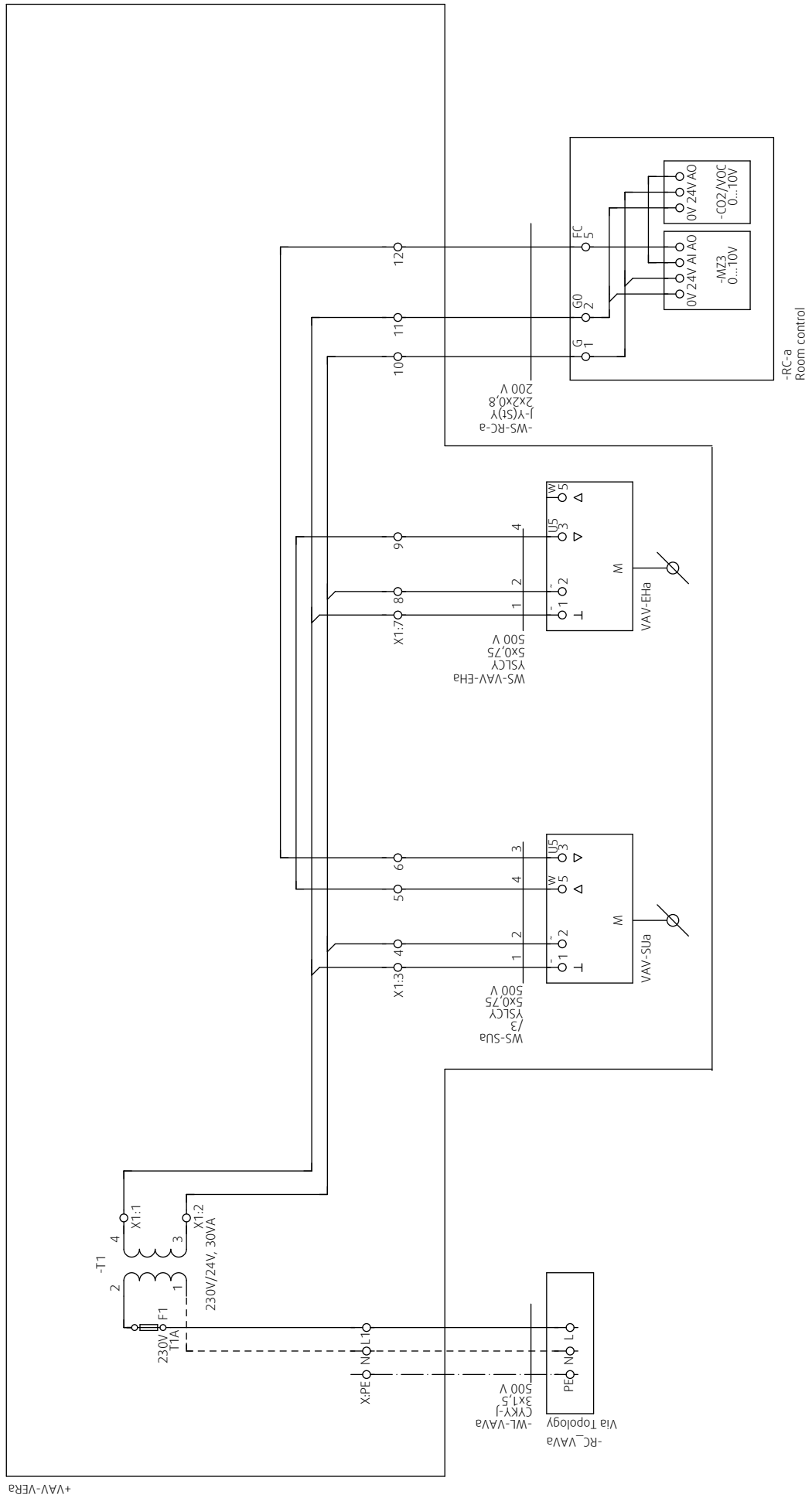


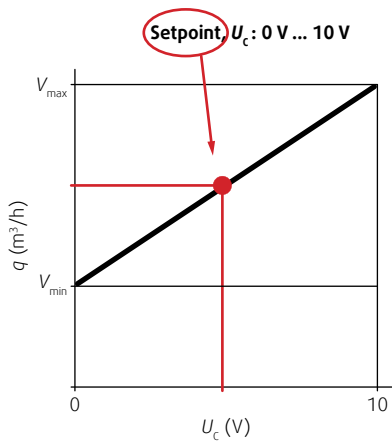
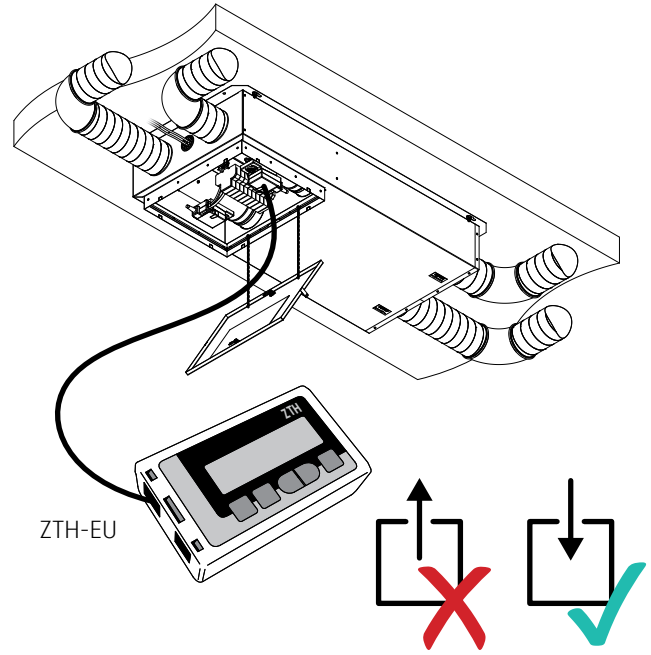
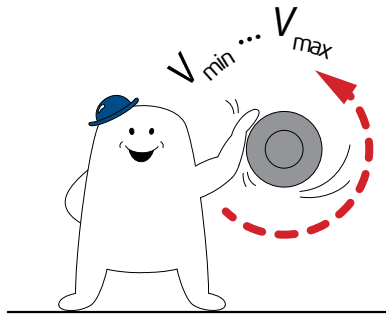
14.



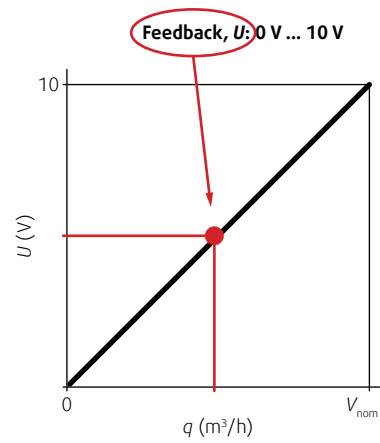
15.







$$U_c = \frac{q - V_{min}}{V_{max} - V_{min}} \cdot 10$$



$$q = \frac{U}{10} \cdot V_{nom}$$

