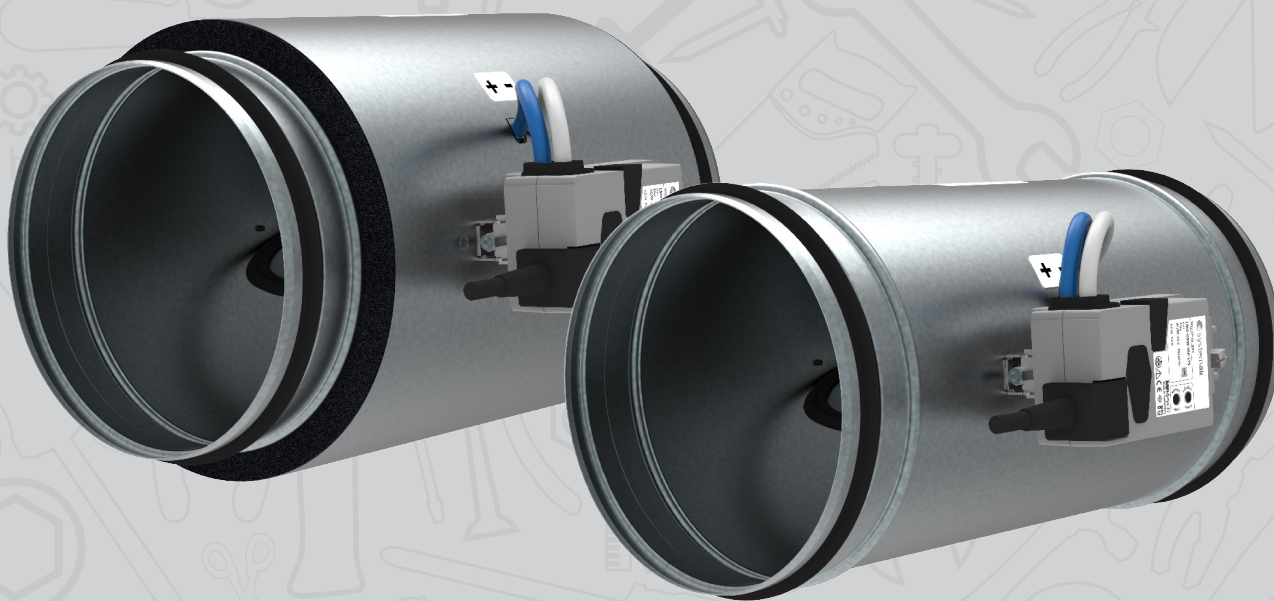
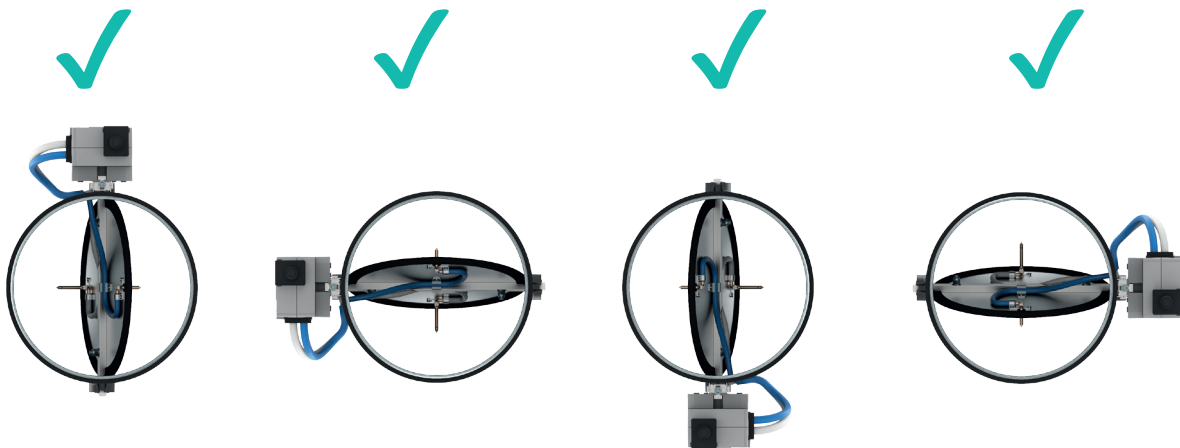
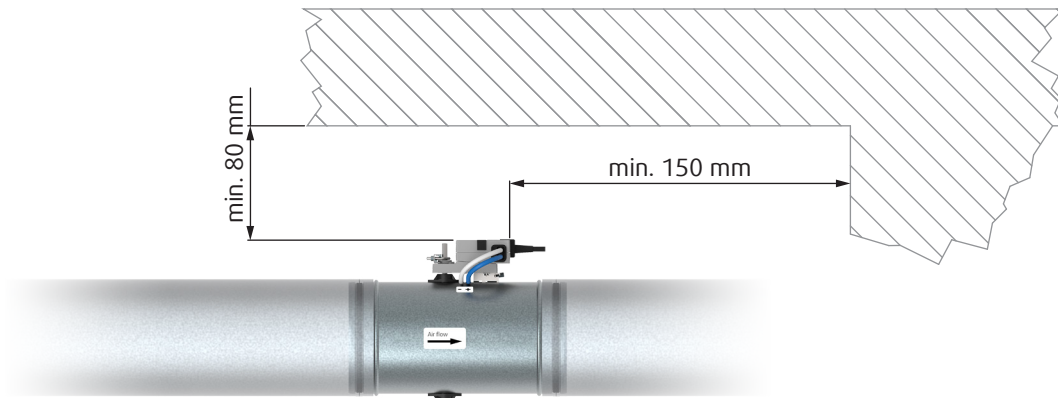
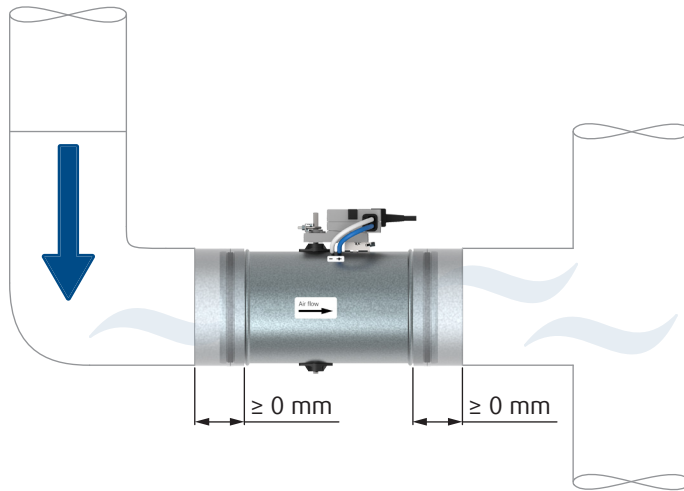
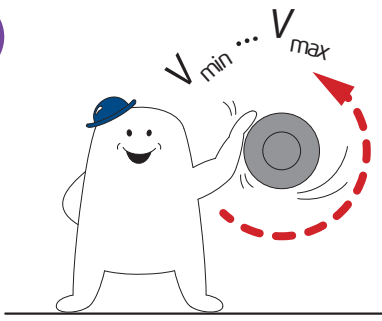


# OPTIMA-LV-R & OPTIMA-LV-RI

User Manual



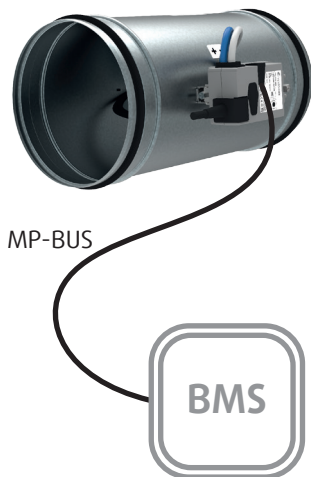




ZTH-EU



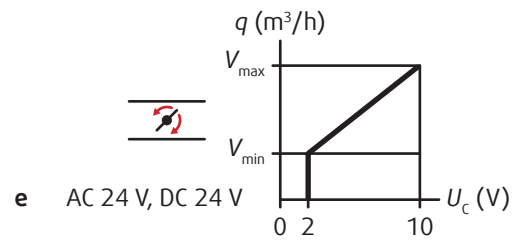
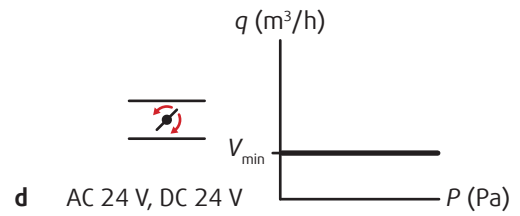
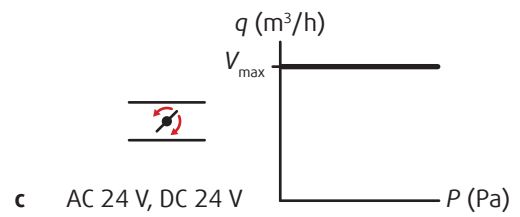
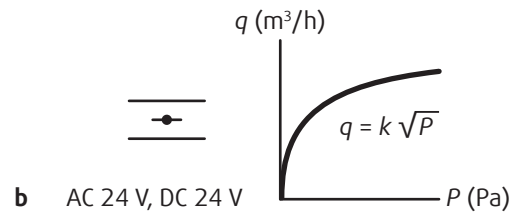
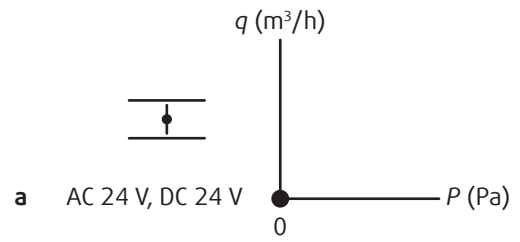
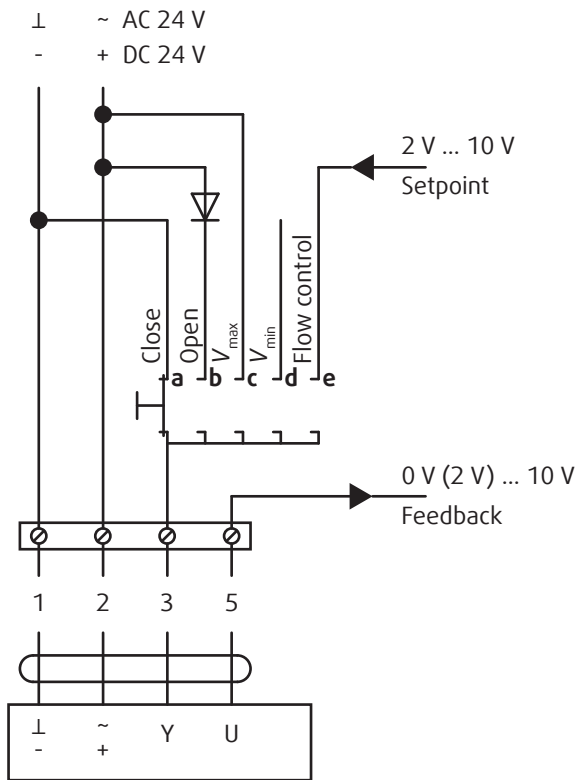
NFC



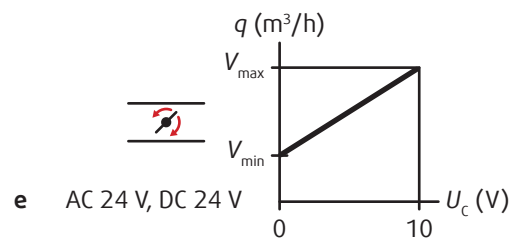
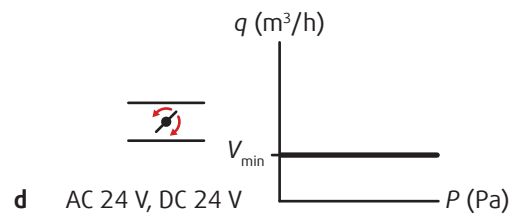
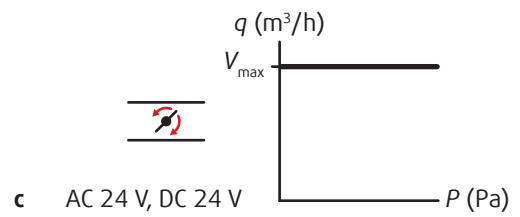
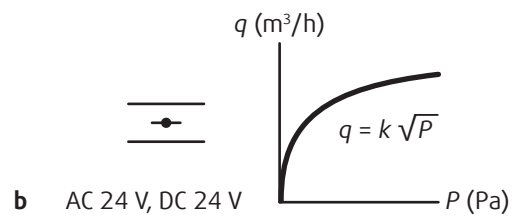
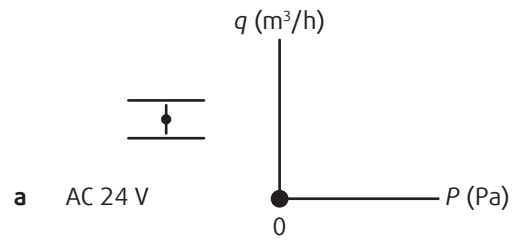
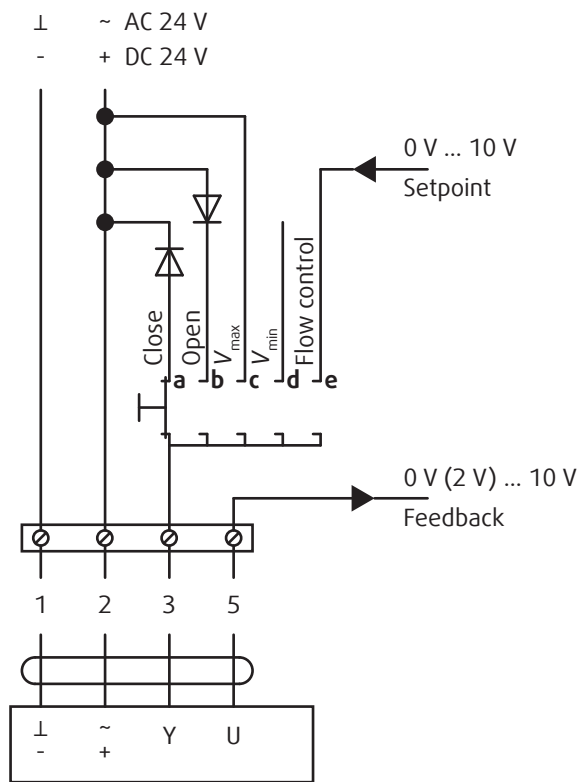
MP-BUS

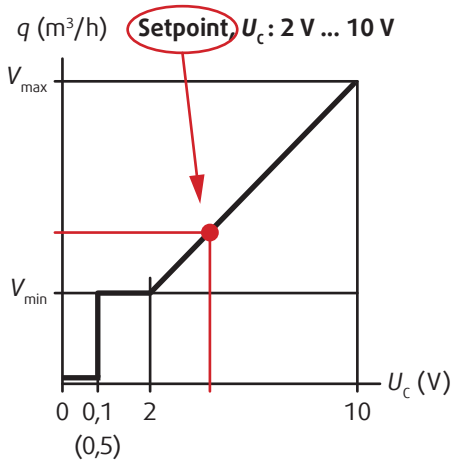
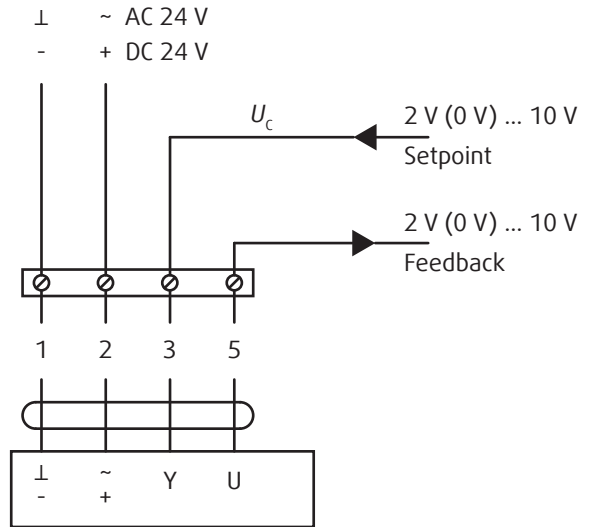
BMS

(DC 2 V ... 10 V)

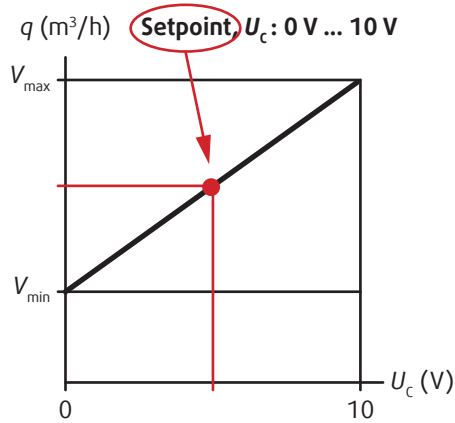


(DC 0 V ... 10 V)

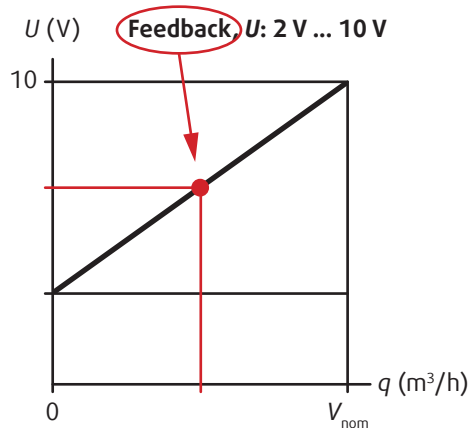




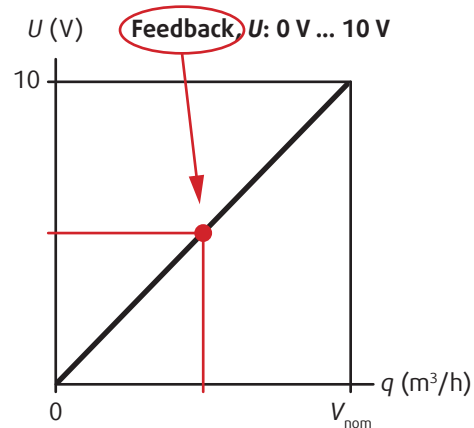
$$U_c = 2 + \frac{q - V_{\min}}{V_{\max} - V_{\min}} \cdot 8$$



$$U_c = \frac{q - V_{\min}}{V_{\max} - V_{\min}} \cdot 10$$




$$q = \frac{U - 2}{8} \cdot V_{\text{nom}}$$



$$q = \frac{U}{10} \cdot V_{\text{nom}}$$



 °C -40°C ... +80°C

 % ≤ 95%

---



 °C -10°C ... +50°C

 % ≤ 95%

