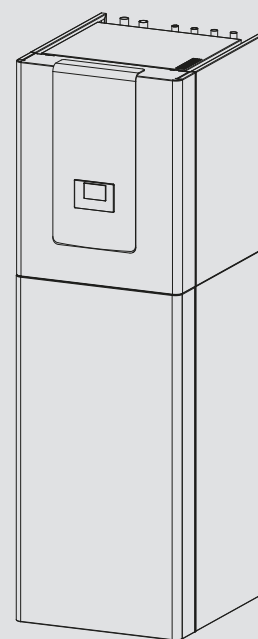


## OPERATION AND INSTALLATION

---

Ground source heat pump

- » WPE-I 04 HW 230 Premium
- » WPE-I 06 HW 230 Premium
- » WPE-I 08 HW 230 Premium
- » WPE-I 12 HW 230 Premium
- » WPE-I 15 HW 230 Premium
- » WPE-I 04 HKW 230 Premium
- » WPE-I 06 HKW 230 Premium
- » WPE-I 08 HKW 230 Premium
- » WPE-I 12 HKW 230 Premium
- » WPE-I 15 HKW 230 Premium



**STIEBEL ELTRON**

# CONTENTS

## SPECIAL INFORMATION

### OPERATION

<b>1. General information</b>	<b>4</b>
1.1 Relevant documents	4
1.2 Safety instructions	4
1.3 Other symbols in this documentation	4
1.4 Information on the unit	4
1.5 Units of measurement	4
1.6 Standardised output data	4
<b>2. Safety</b>	<b>5</b>
2.1 Intended use	5
2.2 Safety instructions	5
2.3 Test symbols	5
<b>3. Appliance description</b>	<b>5</b>
<b>4. Maintenance and care</b>	<b>6</b>
<b>5. Troubleshooting</b>	<b>6</b>
5.1 Other problems	6

### INSTALLATION

<b>6. Safety</b>	<b>6</b>
6.1 General safety instructions	6
6.2 Instructions, standards and regulations	6
<b>7. Appliance description</b>	<b>6</b>
7.1 Function	6
7.2 Standard delivery	7
7.3 Accessories	7
<b>8. Preparation</b>	<b>7</b>
8.1 Safety concept	7
8.2 Installation site	7
8.3 Minimum clearances	8
8.4 Electrical installation	8
<b>9. Installation</b>	<b>9</b>
9.1 Transport	9
9.2 Siting	11
9.3 Opening the appliance	11
9.4 Installing the heat source system	11
9.5 Heating water connection	13
9.6 Oxygen diffusion	13
9.7 Filling the heating system	13
9.8 Venting the heating system	14
9.9 DHW connection	14
9.10 DHW circulation connection	15
9.11 Operation with buffer cylinder	15
9.12 Fitting the push-fit connectors	15
<b>10. Electrical connection</b>	<b>17</b>
10.1 General	17
10.2 Electrical connection	17
10.3 High limit safety cut-out for area heating system	19
<b>11. Commissioning</b>	<b>19</b>
11.1 Checks before commissioning	19
11.2 Initial start-up	20
<b>12. Appliance handover</b>	<b>20</b>
<b>13. Appliance shutdown</b>	<b>20</b>
13.1 Standby mode	20

13.2 Power interruption	20
<b>14. Troubleshooting</b>	<b>21</b>
14.1 Resetting the high limit safety cut-out	21
14.2 Resetting the compressor tempering device	21
14.3 Checking the IWS DIP switch settings	21
14.4 LEDs (IWS)	22
14.5 Reset button	22
<b>15. Maintenance</b>	<b>23</b>
15.1 DHW cylinder	23
<b>16. Specification</b>	<b>24</b>
16.1 Dimensions and connections	24
16.2 Wiring diagram	26
16.3 Output diagrams	30
16.4 Data table	40

### GUARANTEE

### ENVIRONMENT AND RECYCLING

# SPECIAL INFORMATION

- The appliance may be used by children over 8 years of age and persons with reduced physical, sensory or mental capabilities or a lack of experience and expertise, provided that they are supervised or they have been instructed on how to use the appliance safely and have understood the potential risks. Children must never play with the appliance. Cleaning and user maintenance must not be carried out by children without supervision.
- The connection to the power supply must be in the form of a permanent connection. Ensure the appliance can be separated from the power supply by an isolator that disconnects all poles with at least 3 mm contact separation.
- Maintain the minimum clearances to ensure trouble-free operation of the appliance and facilitate maintenance work.
- In dual mode operation, return water from the second heat generator may flow through the heat pump. Please note that the return water temperature may be a maximum of 60 °C.
- Maintenance work, such as checking the electrical safety, must only be carried out by a qualified contractor.
- We recommend regular inspection (to establish the current condition of the system), and maintenance by a qualified contractor if required (to return the system to its original condition).
- Following disconnection from the power supply, parts of the appliance may remain energised for 5 minutes until the inverter capacitors have discharged.
- Never interrupt the power supply, even outside the heating season. The system's active frost protection is not guaranteed if the power supply is interrupted.
- There is no need to shut the system down in summer. The heat pump manager has an automatic summer/winter changeover.
- Drain the DHW cylinder as described in chapter "Installation / Maintenance / DHW cylinder / Draining the DHW cylinder".
- Install a type-tested safety valve in the cold water supply line. Please note that, depending on the supply pressure, you may also need a pressure reducing valve.
- The safety valve drain aperture must remain open to atmosphere.
- Install the safety valve drain pipe with a constant fall to the drain.
- Size the drain pipe so that water can drain off unimpeded when the safety valve is fully opened.

### **WPE-I HKW 230 Premium**

- The appliance is only suitable for passive cooling.
- In the delivered condition, the COOLING parameter is set to OFF.
- The COOLING menu will only be displayed if a FET is connected. Cooling mode is only possible in summer mode.

## OPERATION

## 1. General information




The chapters "Special information" and "Operation" are intended for both users and qualified contractors.

The chapter "Installation" is intended for qualified contractors.

**Note**

Read these instructions carefully before using the appliance and retain them for future reference. Pass on these instructions to a new user if required.

## 1.1 Relevant documents

-  Operating instructions for the WPM heat pump manager
-  Commissioning instructions for the WPM heat pump manager
-  Operating and installation instructions for system components

## 1.2 Safety instructions




## 1.2.1 Structure of safety instructions

**KEYWORD** Type of risk

Here, possible consequences are listed that may result from failure to observe the safety instructions.

► Steps to prevent the risk are listed.

## 1.2.2 Symbols, type of risk

Symbol	Type of risk
	Injury
	Electrocution
	Burns (burns, scalding)

## 1.2.3 Keywords



KEYWORD	Meaning
DANGER	Failure to observe this information will result in serious injury or death.
WARNING	Failure to observe this information may result in serious injury or death.
CAUTION	Failure to observe this information may result in non-serious or minor injury.

## 1.3 Other symbols in this documentation

**Note**


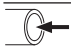




General information is identified by the adjacent symbol.

► Read these texts carefully.

Symbol	Meaning
	Material losses (appliance damage, consequential losses and environmental pollution)
	Appliance disposal

► This symbol indicates that you have to do something. The action you need to take is described step by step.

## 1.4 Information on the unit

Symbol	Meaning
	Refrigerant with low flammability
	Inlet / intake
	Drain / outlet
	Heat source
	Heating
	Potable water

## 1.5 Units of measurement

**Note**

All measurements are given in mm unless stated otherwise.

## 1.6 Standardised output data

Information on determining and interpreting the specified standardised output data.

## 1.6.1 Standard: EN 14511

The output data specifically mentioned in text, diagrams and technical datasheets has been determined in line with the test conditions described in the standard shown in the heading of this chapter. However, there is a partial deviation from this norm in the output data for inverter heat pumps, as this concerns partial load values. The associated percentage weighting in the partial load range can be found in EN 14825 and EHPA quality label regulations.

Generally, the test conditions stated above will not fully match the conditions found at the installation site of the system user.

Depending on the chosen test method and the extent to which this method differs from the test conditions defined in the first paragraph of this section, any deviations can be considerable.

Additional factors that have an influence on the test values are the measuring equipment, the system configuration, the age of the system and the flow rates.

Confirmation of the specified output data can only be obtained if the test conducted for this purpose is also performed in accordance with the test conditions defined in the first paragraph of this section.

## 2. Safety

### 2.1 Intended use

The appliance is designed for:

- Heating rooms
- Heating of DHW
- Cooling rooms (only WPE-I HKW 230 Premium)

Observe the operating limits listed in chapter "Specification".

The appliance is intended for domestic use. It can be used safely by untrained persons. The appliance can also be used in non-domestic environments, e.g. in small businesses, as long as it is used in the same way.

Any other use beyond that described shall be deemed inappropriate. Observation of these instructions and of instructions for any accessories used is also part of the correct use of this appliance.

### 2.2 Safety instructions

- Only recognised, qualified contractors may carry out the electrical work and installation of the heating circuit.
- The qualified contractor is responsible for adherence to all applicable regulations during installation and commissioning.
- The appliance should only be operated once it is fully installed and all safety equipment has been fitted.
- Protect the appliance from dust and dirt during building work.
- Observe the safety concept for operation of the appliance (see chapter "Preparation / Safety concept").



**WARNING Injury**

The appliance may be used by children over 8 years of age and persons with reduced physical, sensory or mental capabilities or a lack of experience and expertise, provided that they are supervised or they have been instructed on how to use the appliance safely and have understood the potential risks. Children must never play with the appliance. Cleaning and user maintenance must not be carried out by children without supervision.



**WARNING Injury**

► For safety reasons, only operate the appliance with the casing closed.

### 2.3 Test symbols

See type plate on the appliance.

## 3. Appliance description

The appliance is a ground source heat pump suitable for operation as a heating heat pump. The heat pump extracts energy from the heat source medium at a low temperature level. This extracted energy is then transferred to the heating water at a higher level, augmented by the electric energy drawn by the compressor. The heating water is heated to a flow temperature of up to 75 °C, depending on the heat source temperature.

A heating circulation pump, a multifunction assembly (MFG) with safety assembly and a 3-way valve are integrated in the appliance for switching between the heating circuit and the DHW circuit. To heat the DHW, the heating water that has been heated by the heat pump is directed through an indirect coil in the DHW cylinder, where it transfers its energy to the DHW.

The appliance is equipped with an electric emergency/booster heater (NHZ). To safeguard heating operation and the provision of high DHW temperatures, the electric emergency/booster heater is activated as an emergency heater if the dual mode point is undershot in mono mode operation. If the same thing happens in mono energetic operation, the electric emergency/booster heater is activated as a booster heater.

The appliance is controlled with an integral, outside temperature-dependent return temperature control unit (WPM heat pump manager).

The WPM also controls the DHW heating to the required temperature. DHW heating will be completed automatically by an integral electric emergency/booster heater, if either the high pressure sensor or the hot gas limiter of the heat pump responds during DHW heating, subject to the WW LEARNING FUNCTION being deactivated. Also subject to the WW LEARNING FUNCTION being activated, the DHW heating will terminate and the set DHW value will be overwritten with the actual DHW temperature that has been achieved.

The WPM also controls the integral electric emergency/booster heater. An additional heat generator can also be controlled.

### Screed drying



**Material losses**

Incorrect settings can cause damage to the heat pump or screed. With ground source heat pumps, the heat source can also be damaged.

- If you want to use the heat-up program, observe the corresponding chapter in the commissioning instructions for the WPM heat pump manager.

### WPE-I HKW 230 Premium



**Material losses**

In cooling mode, condensate can form when the dew point temperature is undershot.

- Take suitable measures to prevent the formation of condensate.



**Material losses**

Condensation caused by the temperature falling below the dew point can lead to material losses. The appliance is therefore approved exclusively for area cooling.

# INSTALLATION

## Maintenance and care

An additional heat exchanger and 3-way valve for switching between heating and cooling are integrated into the appliance.

To cool the living space, the brine is pumped through the additional heat exchanger. There, heat is extracted from the heating water to be released into the cooler zones underground.

The compressor does not run during cooling.

### 4. Maintenance and care



#### Material losses

Only qualified contractors may perform maintenance work, such as electrical safety checks.

A damp cloth is sufficient for cleaning all plastic and sheet metal parts. Never use abrasive or corrosive cleaning agents.

We recommend regular inspection (to establish the current condition of the system), and maintenance by a qualified contractor if required (to return the system to its original condition).

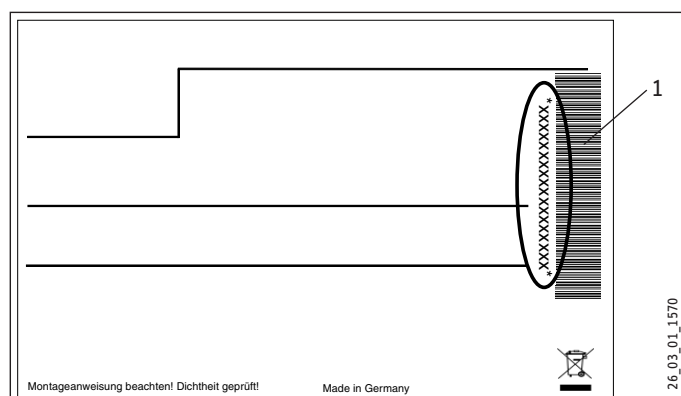
### 5. Troubleshooting

Fault	Cause	Remedy
There is no hot water or the heating system remains cold.	The fuse/MCB has blown/ responded.	Check the fuses / MCBs in your fuse box / distribution board.

#### 5.1 Other problems

If you cannot remedy the fault, contact your qualified contractor. To facilitate and speed up your request, provide the number from the type plate. The type plate is located at the front top, on the right or left-hand side of the casing.

#### Sample type plate



1 Number on the type plate

# INSTALLATION

## 6. Safety

Only a qualified contractor should carry out installation, commissioning, maintenance and repair of the appliance.

### 6.1 General safety instructions

We guarantee trouble-free function and operational reliability only if original accessories and spare parts intended for the appliance are used.

### 6.2 Instructions, standards and regulations



#### Note

Observe all applicable national and regional regulations and instructions.

## 7. Appliance description

### 7.1 Function

The heat exchanger on the heat source side (evaporator) extracts natural heat from the heat source. This extracted energy and the energy drawn by the compressor drive is transferred to the heating water by a heat exchanger on the heating water side (condenser). Subject to the heat load, the heating water is heated up to +65 °C. The DHW is heated via the internal indirect coil inside the DHW cylinder.

The electric emergency/booster heater starts if the high pressure sensor or the hot gas limiter responds during DHW heating. If the heat demand of the heating system exceeds the heating output of the heat pump, the emergency/booster heater covers the residual heat demand.

#### WPE-I HKW 230 Premium

For cooling, the brine is pumped through a 3-way diverter valve and a second heat exchanger. The brine extracts heat from the heating water.

# INSTALLATION

## Preparation

### 7.2 Standard delivery

- 1x AF PT outside temperature sensor
- 1x TAF PT immersion/contact sensor
- 2x Plastic elbow push-fit connectors 22 mm (for the heating circuit)
- 2x Plastic elbow push-fit connectors 28 mm (for the brine circuit)
- 2x Copper elbow push-fit connectors 22 mm (for the DHW circuit)
- 1x Extraction tool for the copper elbow push-fit connectors
- 2x Pressure hose DN 19 x 500 mm
- 2x Pressure hose DN 25 x 500 mm

### 7.3 Accessories

- Brine filling unit WPSF
- Water softening fitting HZEA
- Filter assembly 22 mm (FS-WP 22)
- Filter assembly 28 mm (FS-WP 28)
- FET remote control
- DHW circulation pump UPZ

## 8. Preparation

### 8.1 Safety concept



#### WARNING Injury

- ▶ Keep the discharge aperture on the top of the appliance and the intake aperture on the side of the appliance clear.

A fan is installed in the appliance, which generates a negative pressure in the device. If the negative pressure can no longer be built up (damaged sealing tape), the safety pressure cell shuts down the appliance. A message appears in the heat pump manager.

	Unit	Value
Minimum negative pressure	Pa	30

- ▶ Replace the sealing tape if required.

In the event of a leak, the fan mixes the refrigerant gas into the air in the room sufficiently.

- ▶ Maintain the minimum installation area of the installation room.

Minimum installation area [m <sup>2</sup> ]	
WPE-I 04 H(K)W Premium	WPE-I 12 H(K)W Premium
WPE-I 06 H(K)W Premium	WPE-I 15 H(K)W Premium
WPE-I 08 H(K)W Premium	
6.0	8.0

#### Increasing the minimum installation area

If the minimum installation area in the installation room is not achieved, the installation room can be connected to a neighbouring room via dilution apertures. The apertures must be located

near the ceiling and the floor. If the ceiling is suspended and there is no wall to the next room, the upper aperture is not required.

	Minimum height
Height of bottom edge of lower aperture above ground level	0.2 m
Height of top edge of upper aperture	Height of top edge of door opening

- ▶ Calculate the area of the dilution apertures.

$$A_{nv} = \frac{m_c - (0,4335 * A)}{50,3}$$

A Room area [m<sup>2</sup>]

A<sub>nv</sub> Required aperture surface [m<sup>2</sup>]

m<sub>c</sub> Refrigerant charge [kg]

- ▶ Install dilution apertures that correspond to the calculated area.

### 8.2 Installation site



#### Material losses

- ▶ Install the appliance only in rooms without a constant ignition source (e.g. open flames, a live gas appliance or an electric heater) or without open flue boilers.



#### Note

The appliance is designed for indoor installation, except in damp areas.

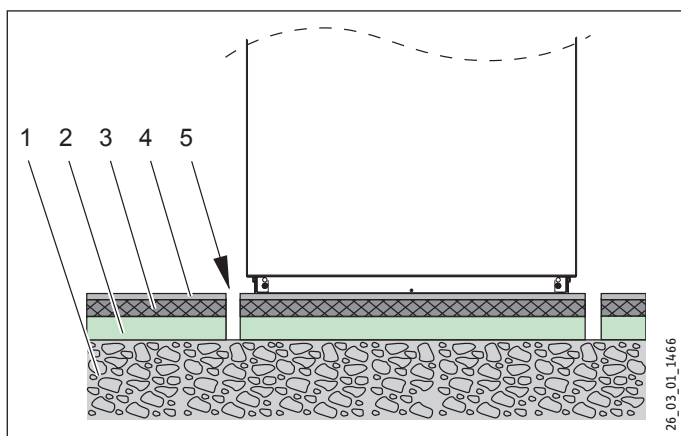
- ▶ Never install the appliance directly below or next to bedrooms.
- ▶ Implement pipe outlets through walls and ceilings with anti-vibration insulation.

The room in which the appliance is to be installed must meet the following conditions:

- Free from the risk of frost
- The room must not be subject to a risk of explosions arising from dust, gases or vapours.
- When installing the appliance in a boiler room together with other heating equipment, ensure that the operation of other heating equipment will not be impaired.
- The minimum volume of the installation room must be observed (see chapter "Preparation / Safety concept").
- Load bearing floor (for the weight of the appliance, see chapter "Specification / Data table").
- ▶ Ensure that the safety valve for the brine circuit is installed in the installation room. Alternatively, outdoor installation is also possible.
- ▶ Ensure that the substrate is level, even, solid and permanent.
- ▶ For installation on floating screeds, make provisions for quiet heat pump operation.
- ▶ Isolate the installation surface around the heat pump by means of a recess. After completing the installation, seal the recess with a waterproof, sound insulating material, such as silicone.

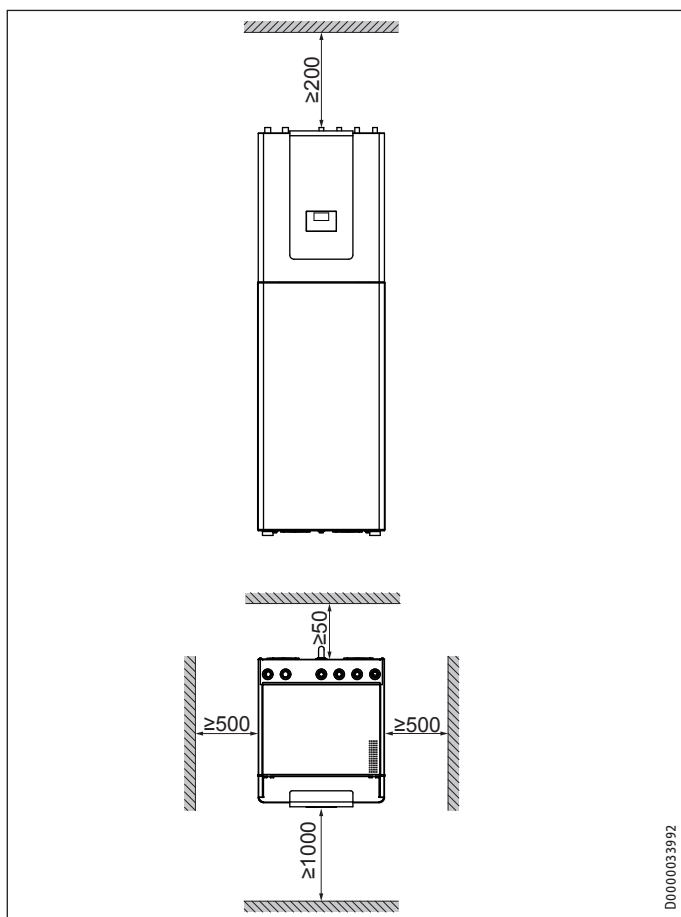
# INSTALLATION

## Preparation



- 1 Concrete base
- 2 Impact sound insulation
- 3 Floating screed
- 4 Floor covering
- 5 Recess

### 8.3 Minimum clearances



- Maintain the minimum clearances to ensure trouble-free operation of the appliance and facilitate maintenance work.

### 8.4 Electrical installation



**WARNING Electrocutation**  
Carry out all electrical connection and installation work in accordance with national and regional regulations.



**WARNING Electrocutation**  
The connection to the power supply must be in the form of a permanent connection. Ensure the appliance can be separated from the power supply by an isolator that disconnects all poles with at least 3 mm contact separation. This requirement can be met by using contactors, circuit breakers, fuses/MCBs, etc.



**Note**  
The specified voltage must match the mains voltage. Observe the type plate.



**Material losses**  
Provide separate fuses/MCBs for the two power circuits, i.e. for the compressor and the electric emergency/booster heater circuits.

- Use cables with the relevant cross-sections. Observe the applicable national and regional regulations.

#### WPE-I 04 H(K)W 230 Premium | WPE-I 06 H(K)W 230 Premium | WPE-I 08 H(K)W 230 Premium

Fuse protection	Assignment	Cable cross-section
B 16 A	Compressor	2.5 mm <sup>2</sup> for routing through a wall 1.5 mm <sup>2</sup> when routing on a wall or in an electrical conduit on a wall
B 16 A	Electric emergency/booster heater (BH)	2.5 mm <sup>2</sup> 1.5 mm <sup>2</sup> with only two live cores and routing on a wall or in an electrical conduit on a wall.
B 16 A	Control unit	1.5 mm <sup>2</sup>

#### WPE-I 12 H(K)W 230 Premium | WPE-I 15 H(K)W 230 Premium

Fuse protection	Assignment	Cable cross-section
B 25 A	Compressor	4.0 mm <sup>2</sup> when routing in a wall 2.5 mm <sup>2</sup> when routing above the surface
B 16 A	Electric emergency/booster heater (BH)	2.5 mm <sup>2</sup> 1.5 mm <sup>2</sup> with only two live cores and routing on a wall or in an electrical conduit on a wall.
B 16 A	Control unit	1.5 mm <sup>2</sup>

Electrical data is provided in chapter "Specification / Data table".



**Note**  
The appliance includes an inverter for the variable speed compressor. In the event of an error, inverters can cause DC residual currents. If RCDs are provided, they must be type B AC/DC-sensitive.  
A DC residual current can block type A RCDs.  
► Ensure that the appliance power supply is disconnected from the distribution board.



### 9. Installation

#### 9.1 Transport

- ▶ Transport the appliance in its packaging to protect it against damage.
- ▶ Protect the appliance against heavy impact during transport.
- If the appliance needs to be tilted during transport, this must only be for a short time and it must only be tilted on one of its longitudinal sides.  
The longer the appliance is tilted, the greater the distribution of refrigerant oil inside the system.
- Storage and transport at temperatures below  $-20\text{ }^{\circ}\text{C}$  and above  $+50\text{ }^{\circ}\text{C}$  are not permissible.

To facilitate transportation you can also divide the appliance by removing the refrigeration unit.

#### 9.1.1 Dividing the appliance



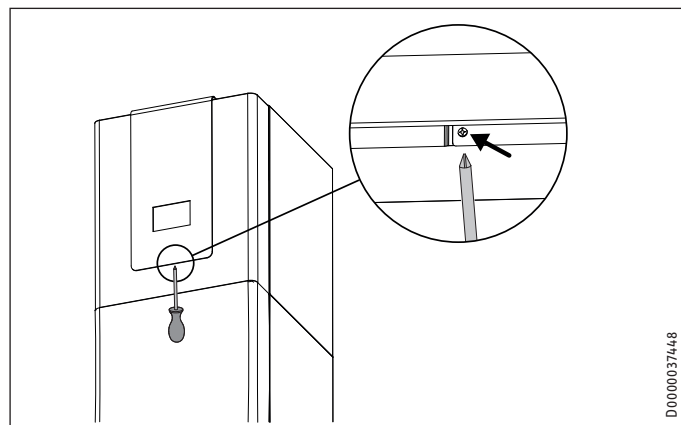
##### Note

When you open the appliance, check the sealing tape. The sealing tape is required for generating the necessary negative pressure.

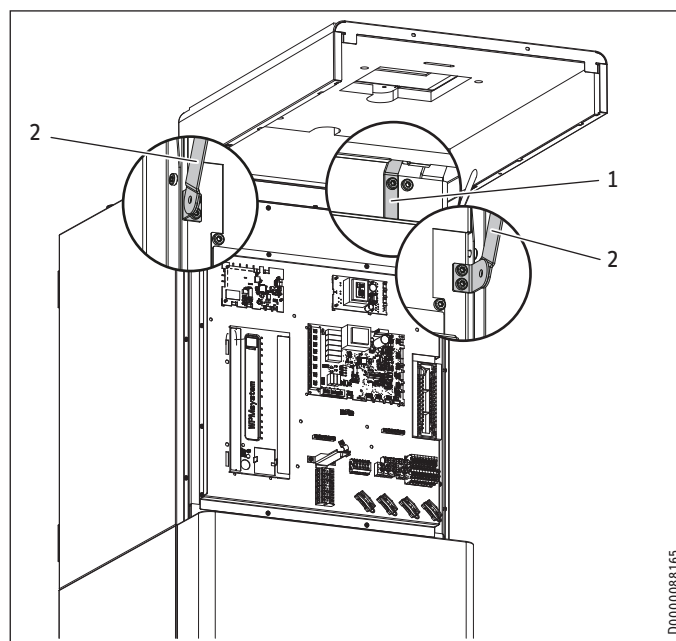
- ▶ Replace the sealing tape if required.

- ▶ Remove the upper packaging.

#### Removing the upper front panel



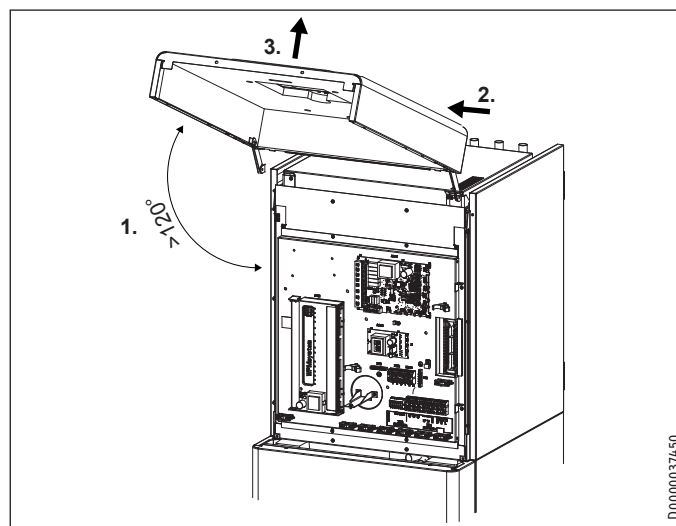
- ▶ Remove the fixing screw from under the fascia.
- ▶ Flip up the upper front panel.



1 Hinge closer

2 Articulated joint

- ▶ Unscrew the hinge closer.
- ▶ Unscrew both articulated joints.
- ▶ Undo the cable ties and pull the BUS cable connector from the programming unit.
- ▶ Place the connector safely in the refrigeration unit.

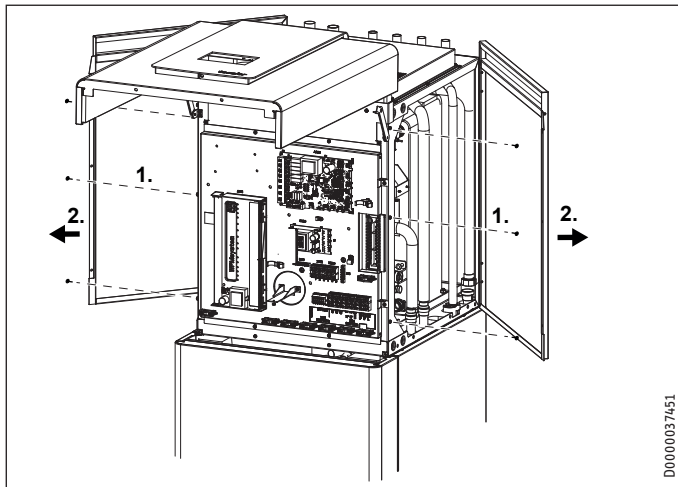


- ▶ Pull off the front panel to the left.

# INSTALLATION

## Installation

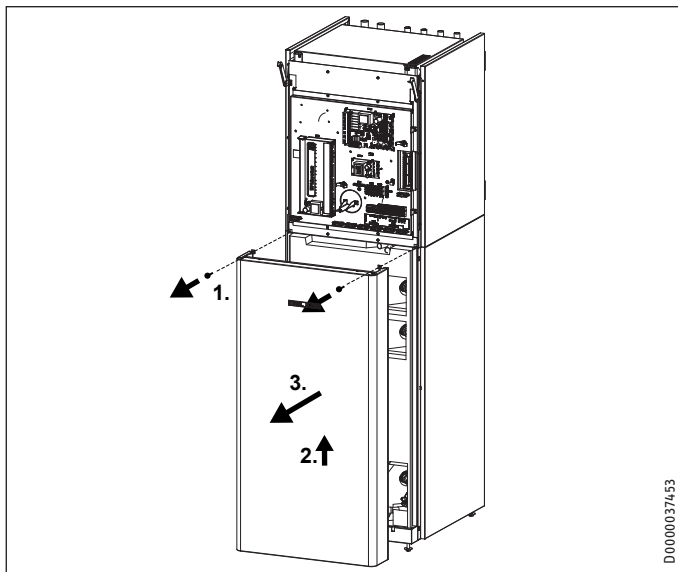
### Removing the upper side panels



D0000037451

- ▶ Remove the screws.
- ▶ Remove the side panels.

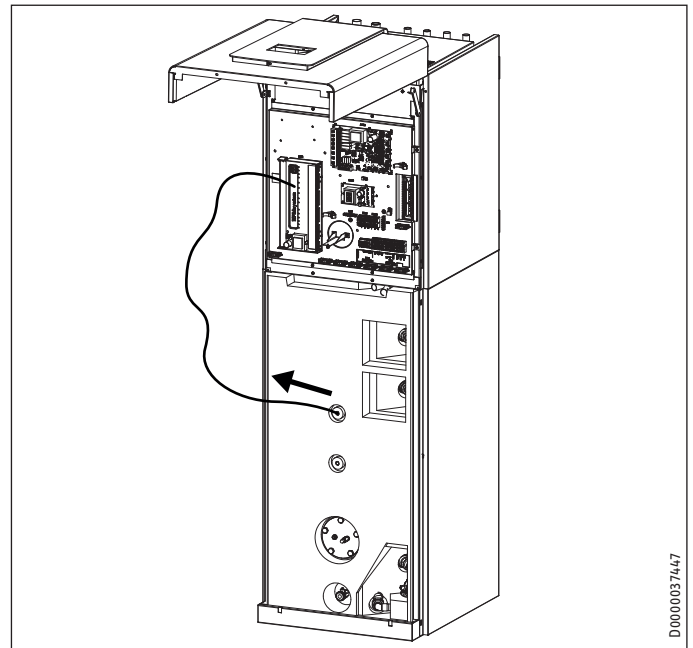
### Removing the lower front panel



D0000037453

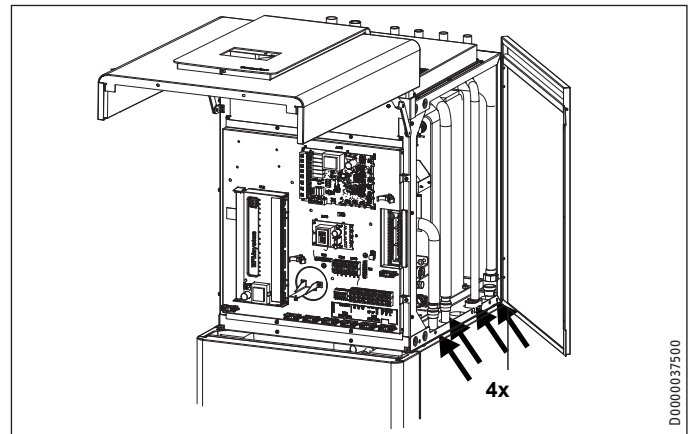
- ▶ Remove the screws from the lower front panel.
- ▶ Remove the lower front panel.

### Removing the refrigeration unit



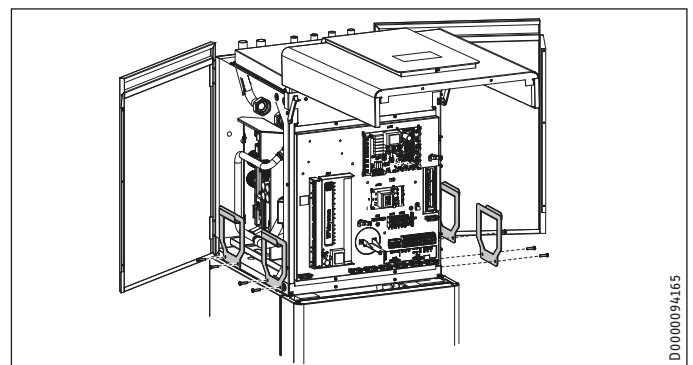
D0000037447

- ▶ Remove the DHW temperature sensor from the immersion pipe of the DHW cylinder.
- ▶ Mark the immersion pipe.
- ▶ Place the DHW temperature sensor safely in the refrigerant circuit.



D0000037500

- ▶ Undo the hydraulic connection lines.

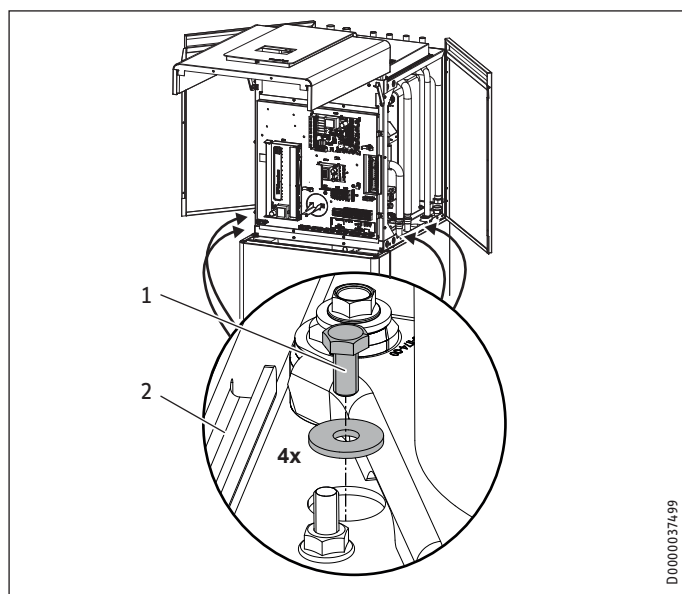


D0000094165

- ▶ Fit the handles.

# INSTALLATION

## Installation

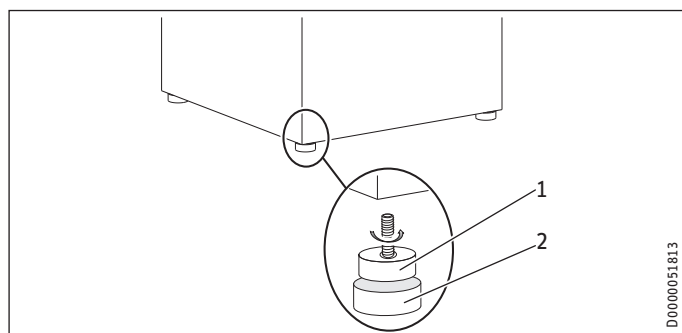


- 1 Fixing screw
- 2 Handle

- ▶ Remove the four fixing screws.
- ▶ Lift the refrigeration unit off the DHW cylinder.
- ▶ Position the DHW cylinder on the prepared base (see chapter "Installation / Siting").
- ▶ Reassemble the appliance in reverse order. Be sure to place the DHW temperature sensor back in the marked sensor well.
- ▶ Remove the handles.

### 9.2 Siting

- ▶ Remove the packaging film and the top and side EPS padding.



- 1 Appliance foot
- 2 Sliding block

- ▶ Undo the four fixing screws underneath the non-returnable pallet.
- ▶ Remove the appliance feet from the pack.
- ▶ Fully turn the feet onto the appliance, without removing the appliance from the pallet.
- ▶ For lifting, use the handles provided on the back panel and the front adjustable rubber feet at the bottom.
- ▶ Take the appliance off the pallet and set it down on the prepared base. If required, use the sliding blocks provided to help you position the appliance.
- ▶ Observe minimum distances (see chapter "Preparations / Minimum clearances").
- ▶ Level the appliance horizontally by adjusting the feet.

### 9.3 Opening the appliance



#### Note

When you open the appliance, check the sealing tape. The sealing tape is required for generating the necessary negative pressure.

- ▶ Replace the sealing tape if required.

- ▶ If necessary, remove the casing parts (see chapter "Installation / Transport / Separating the appliance").

### 9.4 Installing the heat source system



#### Note

Engineer the heat source system for the appliance according to the technical guides.



#### Note

The output data specified in the data table (see "Specification / Data table") refer to ethylene glycol. These details will vary as a result of different viscosity and thermal conductivity properties.

Permitted brine:

		Part number
MEG 10	Heat transfer medium as concentrate on an ethylene glycol base	231109
MEG 30	Heat transfer medium as concentrate on an ethylene glycol base	161696
PG 10	Heat transfer medium as concentrate on a polypropylene glycol base	236307
PG 30	Heat transfer medium as concentrate on a polypropylene glycol base	236306

#### 9.4.1 Circulation pump and required flow rate

The flow rate is automatically controlled by the heat pump manager. The circulation pump cannot be set manually.

#### 9.4.2 Connection and filling with brine

- ▶ Thoroughly flush the pipework with brine before connecting the heat pump to the heat source circuit. Foreign bodies, such as rust, sand and sealant, can impair the operational reliability of the heat pump. We recommend installing our WPSF brine charging unit in the heat source inlet (see chapter "Appliance description / Accessories").

To facilitate easy connection to the brine circuit, the appliance is supplied with push-fit connectors (see chapter "Installation / Fitting push-fit connectors").

- ▶ Connect one flexible pressure hose each to act as an anti-vibration mount to the "heat source flow" and "heat source return" connections. The pressure hoses are part of the standard delivery.

The brine volume of the heat pump under operating conditions can be found in the data table (see chapter "Specification").

The overall volume is equal to the required amount of brine made by mixing undiluted glycol and water. The chloride content of the water must not exceed 300 ppm.

# INSTALLATION

## Installation

### Mixing ratio

The brine concentration varies depending on whether a geothermal collector or a geothermal probe is used as the heat source.

For the mixing ratio see the table below.

	Ethylene glycol	Water
Geothermal probe	25 %	75 %
Geothermal collector	33 %	67 %

	Propylene glycol	Water
Geothermal probe	27.5 %	72.5 %
Geothermal collector	36.5 %	63.5 %

### Charging the brine circuit



#### Note

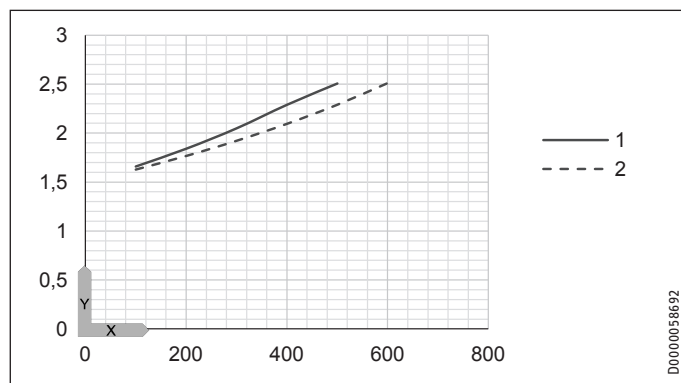
- ▶ Insulate the brine lines with diffusion-proof thermal insulation.

The ground source heat pump is equipped with a brine pressure switch in the brine circuit. The brine pressure switch prevents brine getting into the ground if there is a leak in the brine circuit.

If the pressure in the brine circuit falls below 0.7 bar, the brine pressure switch turns the heat pump off. In order for the heat pump to be enabled again, the pressure must be raised to at least 1.5 bar while the heat pump is on standby.

To prevent the brine pressure switch turning the heat pump off when there is no leak, charge the heat source side of the heat pump during installation with a minimum pressure of > 1.5 bar.

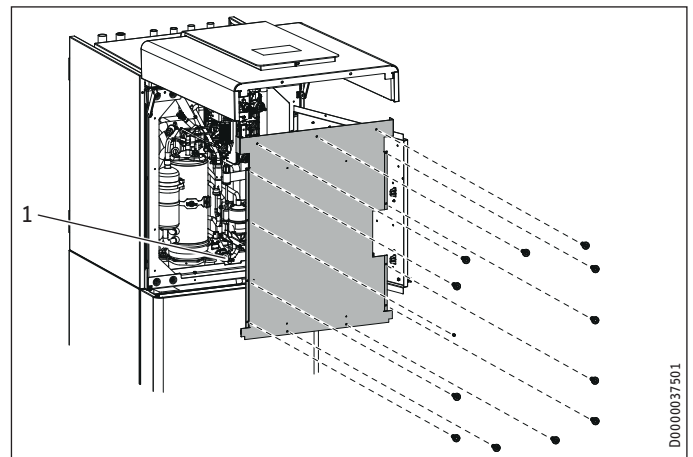
- ▶ Charge the system according to the following curve to prevent an unintentional response from the brine pressure switch.



X System volume [l]

Y Charge pressure [bar]

- 1 Required fill pressure depending on system volume at 33 % brine
- 2 Required fill pressure depending on system volume at 25 % brine



1 Drain, brine side

- ▶ Remove the sealing panel.
- ▶ Fill the brine circuit via the drain.
- ▶ Vent the brine circuit.

### Check the brine concentration

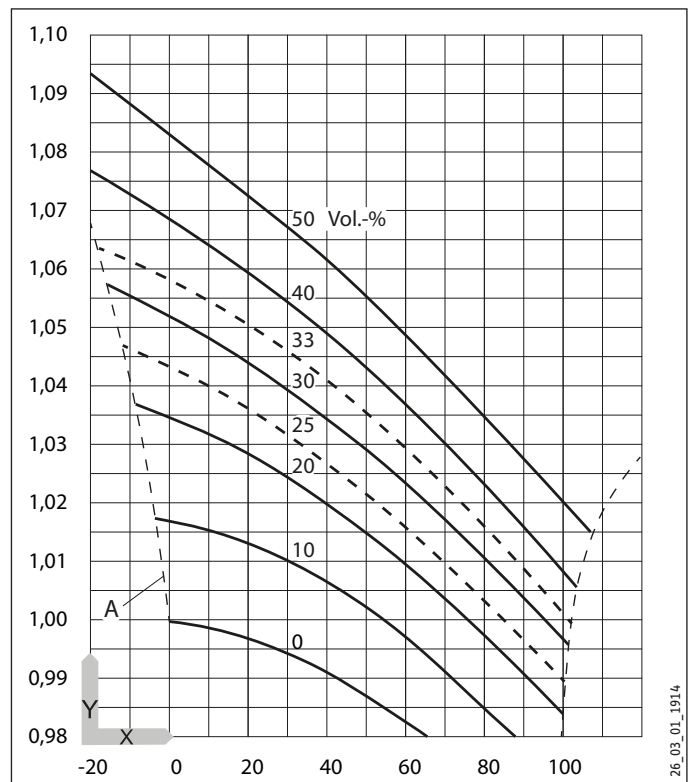
- ▶ Determine the density of the glycol/water mixture, e.g. with a hydrometer.

Using the actual density and temperature, you can check the actual concentration in the diagram.



#### Note

The quoted output data relates to ethylene glycol (see "Specification").



X Temperature [°C]

Y Density [g/cm<sup>3</sup>]

A Frost protection [°C]

# INSTALLATION

## Installation

- ▶ Insulate the brine pipes with diffusion-proof thermal insulation.

### 9.5 Heating water connection



#### Note

The use of non-return valves in the charging circuits between the heat generator and the buffer or DHW cylinder can impair the function of the integral multifunction assembly (MFG) and lead to faults in the heating system.

- ▶ Only use our standard hydraulic solutions for the installation of the appliances.

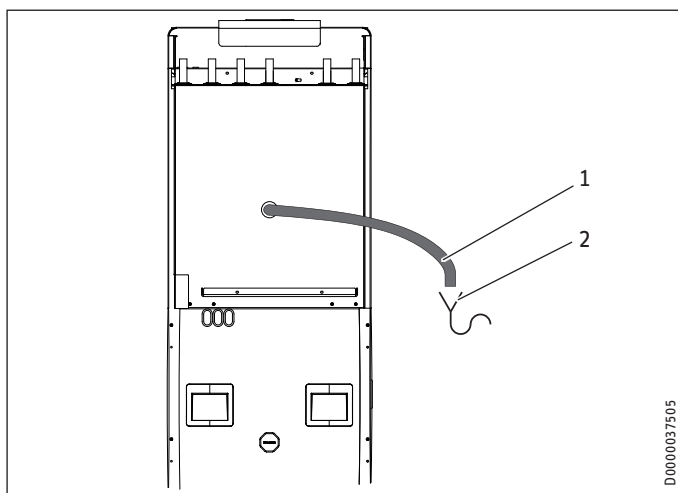
The heating system to which the heat pump is connected must be installed by a qualified contractor in accordance with the water installation diagrams that are part of the technical guides.

- ▶ Thoroughly flush the pipework before connecting the heat pump. Foreign bodies, such as rust, sand and sealant, can impair the operational reliability of the heat pump. We recommend installing our filter assembly in the heating return (see chapter "Appliance description / Accessories").

To facilitate easy connection to the heating system, the appliance is supplied with push-fit connectors (see chapter "Installation / Fitting push-fit connectors").

- ▶ Connect one flexible pressure hose each to act as an anti-vibration mount to the "heating flow" and "heating return" connections. The pressure hoses are part of the standard delivery.
- ▶ Ensure that the heating flow and return are connected correctly.
- ▶ Check for tightness.
- ▶ When sizing the heating circuit, observe the maximum available external pressure differential (see chapter "Specification / Data table").
- ▶ Provide thermal insulation in accordance with applicable regulations.

#### Safety valve



- 1 Procedure
- 2 Drain

- ▶ Size the discharge outlet so that water can drain off unimpeded when the safety valve is fully opened.

- ▶ Ensure that the safety valve drain is open to the outside.
- ▶ Install the safety valve drain with a constant fall to the discharge outlet. When installing the drain, never kink the drain hose.

### 9.6 Oxygen diffusion



#### Material losses

Do not use open vented heating systems. Use oxygen diffusion-proof pipes in underfloor heating systems with plastic pipework.

In underfloor heating systems with plastic pipes that are permeable to oxygen and in open vented heating systems, oxygen diffusion may lead to corrosion on the steel components of the heating system (e.g. on the indirect coil of the DHW cylinder, on buffer cylinders, steel radiators or steel pipes).

- ▶ With heating systems that are permeable to oxygen, separate the heating system between the heating circuit and the buffer cylinder.



#### Material losses

The products of corrosion (e.g. rusty sludge) can settle in the heating system components, which may result in a lower output or fault shutdowns due to reduced cross-sections.

### 9.7 Filling the heating system

#### Heating water quality

Carry out a fill water analysis before filling the system. This analysis may, for example, be requested from the relevant water supply utility.



#### Material losses

To avoid damage as a result of scaling, it may be necessary to soften or desalinate the fill water. The fill water limits specified in chapter "Specification / Data table" must always be observed.

- ▶ Recheck these limits 8-12 weeks after commissioning and as part of the annual system maintenance.



#### Note

With a conductivity > 1000  $\mu\text{S}/\text{cm}$ , desalination treatment is recommended in order to avoid corrosion.



#### Note

Suitable appliances for water softening and desalinating, as well as for filling and flushing heating systems, can be obtained from trade suppliers.



#### Note

If you treat the fill water with inhibitors or additives, the same limits apply as for desalination.

# INSTALLATION

## Installation

### Filling the heating system



#### Material losses

- ▶ Never switch on the power before filling the system.



#### Material losses

- High flow rates or water hammer can damage the appliance.
- ▶ Fill the appliance at a low flow rate.

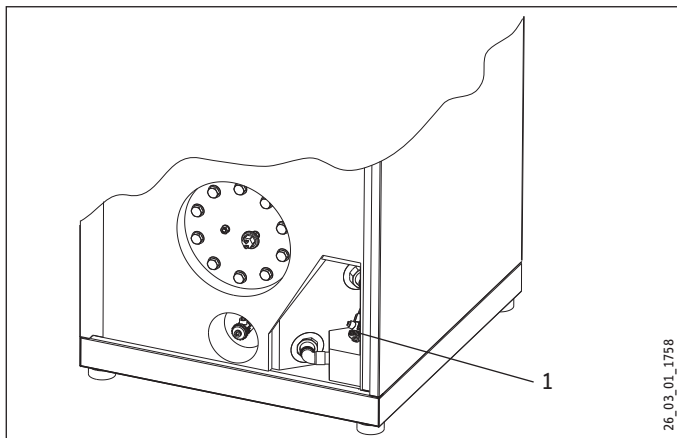
In the delivered condition, the diverter valve of the MFG is positioned at the centre. This ensures the heating and DHW circuits are filled equally. If the power is switched on, the diverter valve automatically moves into the central heating position.

If you intend filling or draining the system later, first place the diverter valve into its centre position.

- ▶ Activate the parameter.

#### Parameter

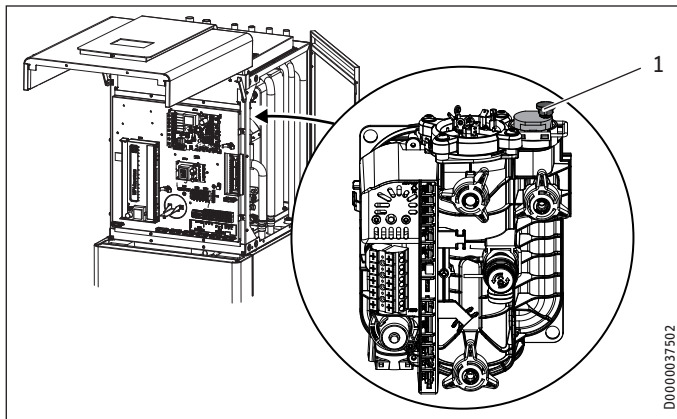
DRAIN HYD (DIAGNOSIS / RELAY TEST SYSTEM)



1 Drain, heating side

- ▶ Fill the heating system via the drain.

### 9.8 Venting the heating system



1 Air vent valve

- ▶ Vent the pipework by pulling up the red cap on the air vent valve.
- ▶ Close the air vent valve after the venting process.

### 9.9 DHW connection

- ▶ Remove the lower front panel (see chapter "Installation / Transport / Separating the appliance / Removing the lower front panel").



#### Material losses

- ▶ Carry out all water connection and installation work in accordance with regulations.



#### Material losses

- The DHW outlet connection is prefitted with a plastic union nut and a soft rubber gasket. The torque of the plastic union nut depends on the gasket used.
- 15 Nm = prefitted soft rubber gasket.
- 25 Nm = alternative hard gasket.
- ▶ Keep to the permissible torque.



#### Material losses

- Operate the appliance only with pressure-tested taps.

#### 9.9.1 Permissible materials

##### Cold water line

Galvanised steel, stainless steel, copper and plastic are approved materials.

##### DHW line

Stainless steel, copper and plastic pipework are approved.



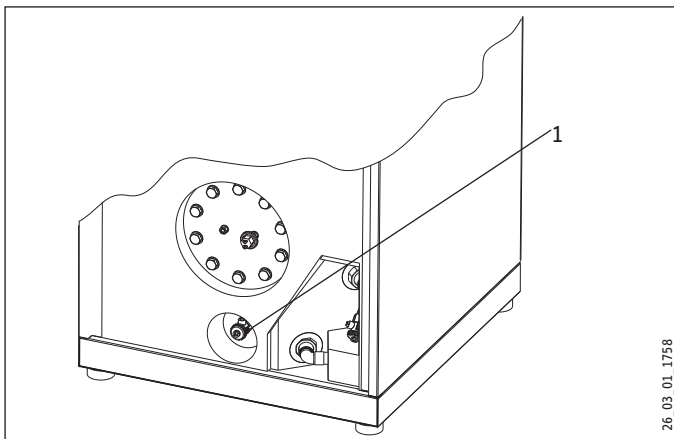
#### Material losses

- The maximum permissible pressure must not be exceeded (see chapter "Specification / Data table").

- ▶ Install a type-tested safety valve in the cold water supply line. Please note that, depending on the supply pressure, you may also need a pressure reducing valve.
- ▶ The safety valve drain aperture must remain open to atmosphere.
- ▶ Install the safety valve drain pipe with a constant fall to the drain.
- ▶ Size the discharge outlet so that water can drain off unimpeded when the safety valve is fully opened.
- ▶ Flush the pipes thoroughly.

# INSTALLATION

## Installation



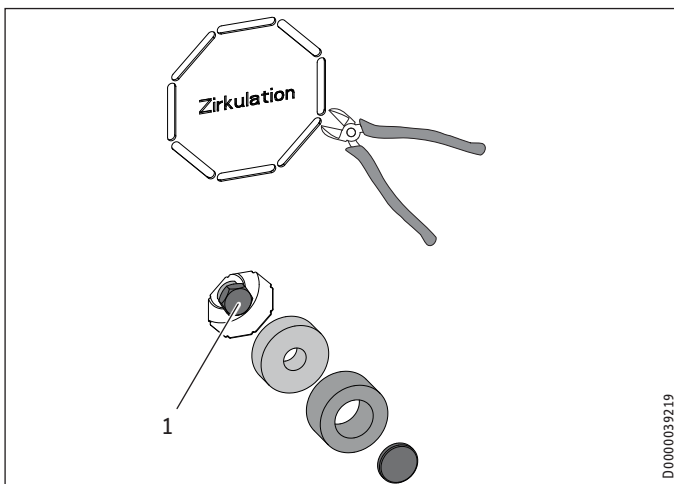
### 1 Drain (DHW cylinder)

- ▶ Fill the DHW cylinder via the drain.
- ▶ Open all downstream draw-off points until the appliance is full and the pipework is free of air.
- ▶ Carry out a tightness check.

### 9.10 DHW circulation connection

DHW circulation is not recommended for reasons of poor energy efficiency. If DHW circulation is required due to unfavourable pipework or for reasons of convenience, you must install the DHW circulation in accordance with applicable standards. To reduce pump runtime and energy demand, we recommend imposing time and temperature controls on activation of the DHW circulation pump. The DHW circulation connector is located at the back of the appliance (see chapter "Specification / Dimensions and connections").

A DHW circulation pump can be found in our range of accessories.



### 1 Cap

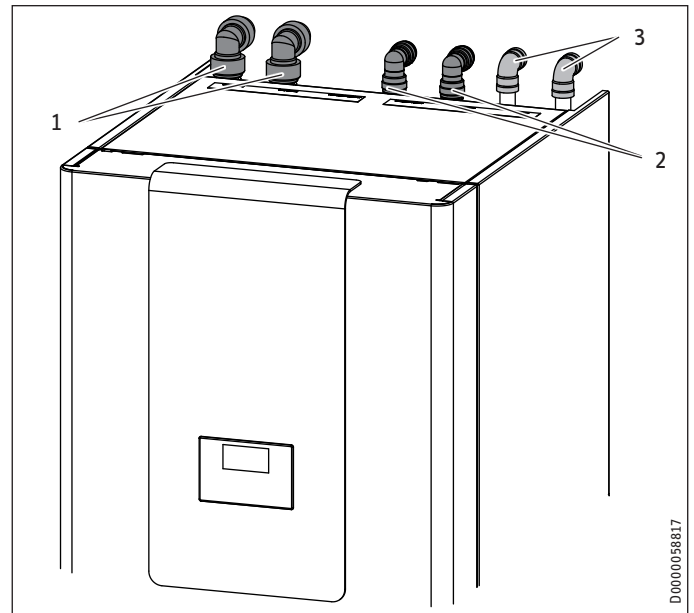
- ▶ Detach the panel.
- ▶ Remove the foam parts.
- ▶ Unscrew the cap.
- ▶ Reinsert the foam parts.
- ▶ Connect the DHW circulation line.

### 9.11 Operation with buffer cylinder

- ▶ Install the supplied TAF PT immersion/contact sensor.
- ▶ Connect the sensor to the heat pump manager.
- ▶ Adjust the parameter.

Parameter	Setting
BUFFER OPERATION (SETTINGS / HEATING / STANDARD SETTINGS)	ON

### 9.12 Fitting the push-fit connectors



- 1 Plastic push-fit connectors, heat source side
- 2 Plastic push-fit connectors, heating side
- 3 Copper push-fit connectors, DHW side

#### 9.12.1 Installing plastic push-fit connectors (heating side and heat source side)



#### Note

The plastic push-fit connectors are not suitable for installation in the DHW line.

- ▶ Only install the push-fit connectors in the heating or brine circuits.



#### Material losses

- ▶ Tighten the screw cap of the push-fit connector by hand. Never use a tool.



#### Material losses

To ensure the push-fit connector is held securely, pipes with a surface hardness > 225 HV (e.g. stainless steel) must have a groove.

- ▶ Using a pipe cutter, cut a groove (depth approx. 0.1 mm) at a defined distance from the end of the pipe.
  - Pipe diameter 22 mm: 17±0.5 mm
  - Pipe diameter 28 mm: 21±0.5 mm



#### Material losses

Support sleeves are required when using plastic pipes.

# INSTALLATION

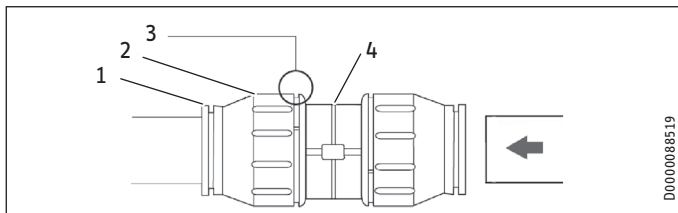
## Installation

### How the push-fit connectors work

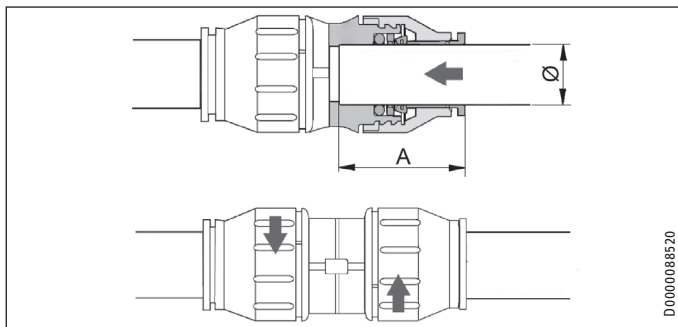
The push-fit connectors are equipped with a retainer with stainless steel serrations and an O-ring for sealing. In addition, the push-fit connectors are equipped with the "twist and lock" function. Simply turning the screw cap by hand will secure the pipe in the connector and push the O-ring against the pipe to seal it.

### Making the push-fit connection

The connector must be in its relaxed position before the pipe is inserted. In this position, there is a small gap between the screw cap and main body.



- 1 Retainer
- 2 Screw cap
- 3 Gap between screw cap and main body
- 4 Main body



Pipe Ø	22 mm	28 mm
Depth of insertion A	max. 38 mm	max. 44 mm

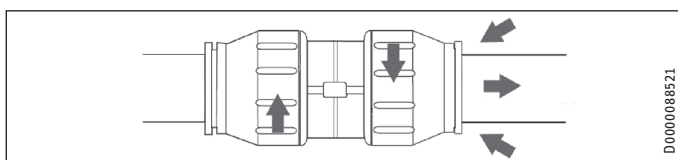
**! Material losses**  
Pipe ends must be deburred.  
▶ Always use a pipe cutter to trim pipes.

- ▶ Push the pipe past the O-ring into the push-fit connector until it reaches the prescribed insertion depth.
- ▶ Finger-tighten the screw cap as far as it will go against main body. This secures the push-fit connection.

### Undoing the push-fit connection

If the push-fit connectors later need to be undone, proceed as follows:

- ▶ Turn the screw cap anti-clockwise until there is a narrow gap of approx. 2 mm. Press the retainer back with your fingers and hold on to it.
- ▶ Pull out the inserted pipe.



### 9.12.2 Installing copper push-fit connectors (DHW side)

**Note**  
The copper push-fit connectors are only designed for use in the DHW line.

**! Material losses**  
To ensure the push-fit connector is held securely, pipes with a surface hardness > 225 HV (e.g. stainless steel) must have a groove.  
▶ Using a pipe cutter, cut a groove (depth approx. 0.1 mm) at a defined distance from the end of the pipe.  
- Pipe diameter 22 mm: 12±0.5 mm

**! Material losses**  
▶ Push the pipe into the push-fit connector by hand. Never use a tool.

### How the push-fit connectors work

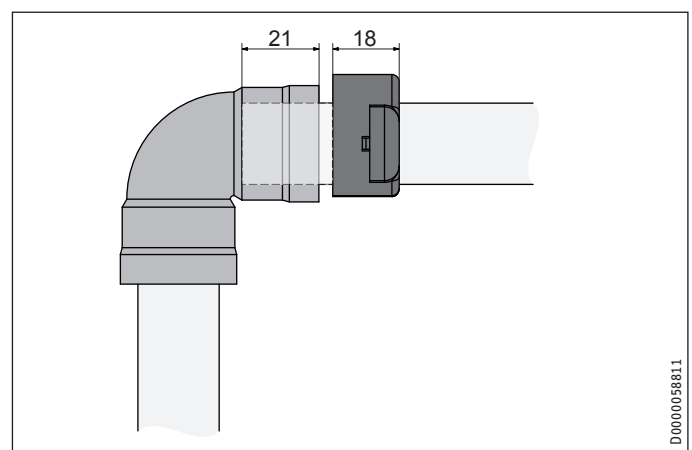
The push-fit connectors are equipped with a retainer with stainless steel serrations and an O-ring for sealing. Simply pushing it in by hand secures the pipe in the connector and presses the O-ring against the pipe to seal it.

An extraction tool is necessary to release the connection.

### Making the push-fit connection

**! Material losses**  
Pipe ends must be deburred.  
▶ Always use a pipe cutter to trim pipes.

- ▶ Push the pipe past the O-ring into the push-fit connector until it reaches the prescribed insertion depth.



- ▶ Leave sufficient clearance for the extraction tool.

### Undoing the push-fit connection

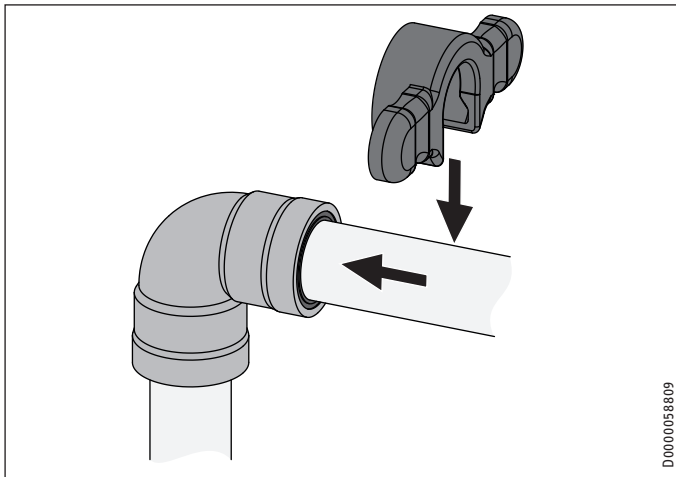
If the push-fit connectors later need to be undone, proceed as follows:

- ▶ Use the extraction tool provided to release the push-fit connection.

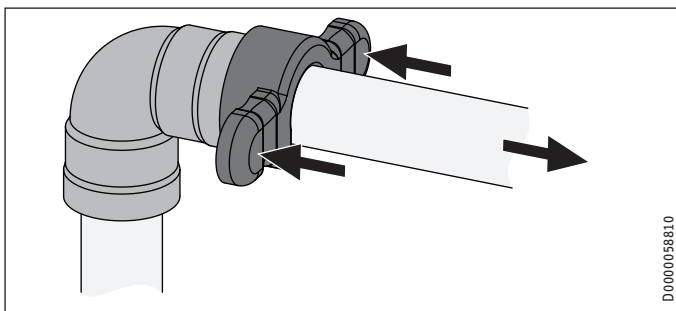


# INSTALLATION

## Electrical connection



► Position the extraction tool at the push-fit connector.



- Push the edge of the extraction tool against the push-fit connector.
- Pull out the inserted pipe.

## 10. Electrical connection

### 10.1 General



#### WARNING Electrocutation

► Before working on the appliance, isolate it from the power supply at the control panel.



#### Note

The leakage current of this appliance can be > 3.5 mA.



#### Note

In conjunction with the WPM heat pump manager, use the HSM mixer servomotor.

Connection work must only be carried out by a qualified contractor and in accordance with these instructions.

You must have permission to connect the appliance from the relevant power supply utility (PSU).

- See chapter "Preparation / Electrical installation".

### 10.2 Electrical connection



#### Note

► Fill the heating system before making the electrical connection (see chapter "Installation / Heating water connection").

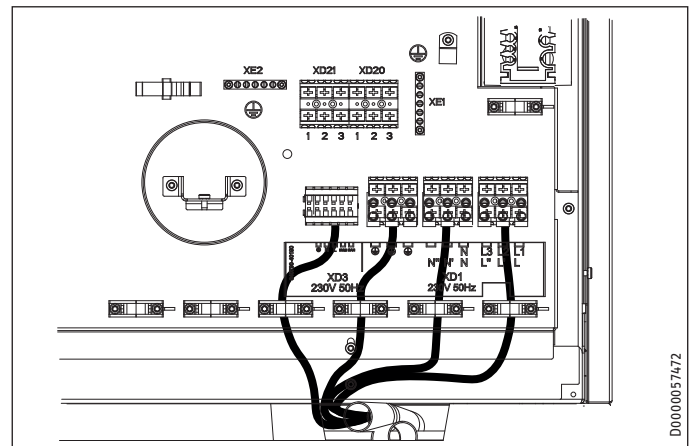
The terminals are located at the appliance control panel behind the upper panel.

For all connections, use appropriate cables in accordance with local regulations.

- Route all cables and sensor leads through the entries provided in the back panel (see chapter "Specification / Dimensions and connections").

You must be able to open the control panel during maintenance and repair work (see chapter "Installation / Venting the heating system").

- Ensure an adequate length of cables and sensor leads.



- Route the cables and leads through the cable ties.
- Route cables and leads through the strain relief fittings.
- Check that the strain relief fittings are working as intended.

#### 10.2.1 Compressor and electric emergency/booster heater



#### Note

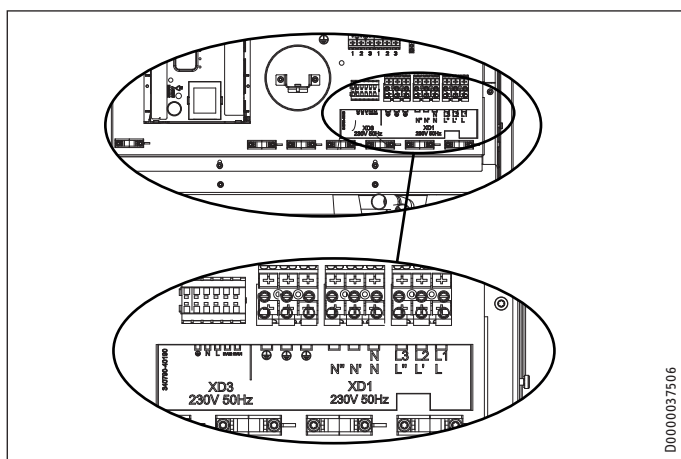
The appliance can be operated in single-phase or three-phase mode.

Appliance function	Effect of the electric emergency/booster heater
Mono energetic operation	If the dual mode point is undershot, the electric emergency/booster heater safeguards both the heating operation and the provision of high DHW temperatures.
Emergency mode	If the heat pump shuts down due to a fault, the heating output is covered by the electric emergency/booster heater.

- Connect cables according to the following diagram.

# INSTALLATION

## Electrical connection



### Single-phase operation

<b>XD1</b>	Compressor (inverter)	L, N, PE
<b>XD1</b>	Electric emergency/booster heater (DHC)	L', L'', N', N'', PE
<b>XD3</b>	Control voltage	L, N, PE

### Alternatively: Three-phase operation



#### Note

► Connect the N, N', and N'' connections with a jumper.

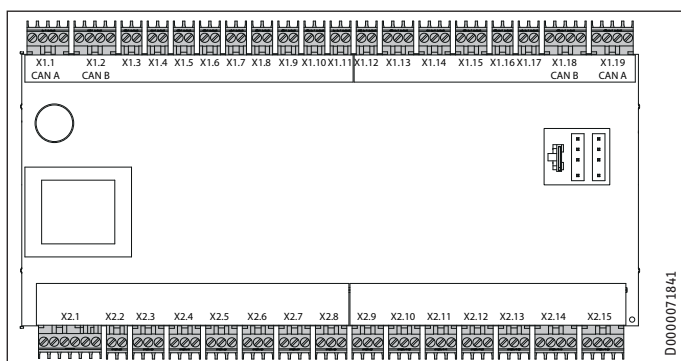
<b>XD1</b>	Compressor (inverter) Electric emergency/booster heater (DHC)	L1, L2, L3, N, PE
<b>XD3</b>	Control voltage	L, N, PE

- Route cables and leads through the strain relief fittings. Check that the strain relief fittings are working as intended.

If no voltage is applied to the power supply utility enable signal, the heat pump will not start.

- If no ripple control receiver is fitted, install a jumper between EVU1 and EVU2.

### Heat pump manager terminal assignment



### Safety extra low voltage

X1.1	+	+	CAN (connection for heat pump and WPE heat pump extension)
CAN A	-	-	
	L	L	
	H	H	
X1.2	+	+	CAN (connection for FET remote control and ISG Internet Service Gateway)
CAN B	-	-	
	L	L	
	H	H	
X1.3	Signal	1	Outside sensor
	Earth	2	
X1.4	Signal	1	Buffer sensor (heating circuit sensor 1)
	Earth	2	
X1.5	Signal	1	Flow sensor
	Earth	2	
X1.6	Signal	1	Heating circuit sensor 2
	Earth	2	
X1.7	Signal	1	Heating circuit sensor 3
	Earth	2	
X1.8	Signal	1	DHW cylinder sensor
	Earth	2	
X1.9	Signal	1	Source sensor
	Earth	2	
X1.10	Signal	1	2nd heat generator (2.WE)
	Earth	2	
X1.11	Signal	1	Cooling flow
	Earth	2	
X1.12	Signal	1	DHW circulation sensor
	Earth	2	
X1.13	Signal	1	FE7 remote control / telephone remote switch / heating curve optimisation / SG Ready
	Earth	2	
	Signal	3	
X1.14	Constant 12 V	+	Analogue input 0-10 V
	Input	IN	
	GND	⊥	
X1.15	Constant 12 V	+	Analogue input 0-10 V
	Input	IN	
	GND	⊥	
X1.16	Signal	1	PWM output 1
	Earth	2	
X1.17	Signal	1	PWM output 2
	Earth	2	
X1.18	+	+	CAN (connection for FET remote control and ISG Internet Service Gateway)
CAN B	-	-	
	L	L	
	H	H	
X1.19	+	+	CAN (connection for heat pump and WPE heat pump extension)
CAN A	-	-	
	L	L	
	H	H	

### Mains voltage

X2.1	L	L	Power supply
	L	L	
	N	N	
	N	N	
	PE	⊕ PE	
	PE	⊕ PE	
X2.2	L' (power supply utility input)	L'	L' (power supply utility input)
	L* (pumps L)	L* (pumps L)	L* (pumps L)
X2.3	L	L	Heating circuit pump 1
	N	N	
	PE	⊕ PE	
X2.4	L	L	Heating circuit pump 2
	N	N	
	PE	⊕ PE	
X2.5	L	L	Heating circuit pump 3
	N	N	
	PE	⊕ PE	
X2.6	L	L	Buffer charging pump 1
	N	N	
	PE	⊕ PE	

# INSTALLATION

## Commissioning

Mains voltage			
X2.7	L	L	Buffer charging pump 2
	N	N	
	PE	⊕ PE	
X2.8	L	L	DHW charging pump
	N	N	
	PE	⊕ PE	
X2.9	L	L	Source pump / defrost
	N	N	
	PE	⊕ PE	
X2.10	L	L	Fault output
	N	N	
	PE	⊕ PE	
X2.11	L	L	DHW circulation pump / 2nd heat generator DHW
	N	N	
	PE	⊕ PE	
X2.12	L	L	2nd heat generator heating
	N	N	
	PE	⊕ PE	
X2.13	L	L	Cooling
	N	N	
	PE	⊕ PE	
X2.14	Mixer OPEN	▲	Mixer heating circuit 2 (X2.14.1 Mixer OPEN X2.14.2 Mixer CLOSE)
	N	N	
	PE	⊕ PE	
	Mixer CLOSE	▼	
X2.15	Mixer OPEN	▲	Mixer heating circuit 3 (X2.15.1 Mixer OPEN X2.15.2 Mixer CLOSE)
	N	N	
	PE	⊕ PE	
	Mixer CLOSE	▼	



### Note

For every appliance fault, output X2.10 issues a 230 V signal.

In the case of temporary faults, the output switches the signal through for a specific time.

In the case of faults that result in a permanent appliance shutdown, the output switches through permanently.

- ▶ You can define the characteristics of the output via parameter "COMMISSIONING / I/O CONFIGURATION / OUTPUT X 2.10".

### 10.3 High limit safety cut-out for area heating system



#### Material losses

In order to prevent excessively high flow temperatures in the area heating system causing damage in the event of a fault, install a high limit safety cut-out to limit the system temperature.

## 11. Commissioning

Only a qualified contractor may adjust the settings in the commissioning instructions for the heat pump manager, commission the appliance and instruct the operator in its use.

Carry out commissioning in accordance with these operating and installation instructions, and the instructions for the heat pump manager. Our customer support can assist with commissioning, which is a chargeable service.

If this appliance is intended for commercial use, observe the rules of the relevant Health & Safety at Work Act during commissioning. For further details, check with your local authorising body (e.g. TÜV).

### 11.1 Checks before commissioning

- ▶ Before commissioning check the points detailed below.

#### 11.1.1 Heating system

- Have you filled the heating system to the correct pressure?
- Have you closed the automatic air vent valve of the multi-function assembly (MFG) after venting?



#### Material losses

- ▶ Observe the maximum system temperature in underfloor heating systems.

#### 11.1.2 Heat source



#### Material losses

If screed drying is carried out with a ground source heat pump, the heat source can be overloaded, especially a geothermal probe. The ground around the geothermal probe may freeze in the process. Heat transfer to the ground will be irreparably damaged.

- ▶ Observe the chapter "Menu structure / PROGRAMS menu / HEAT-UP PROGRAM" in the commissioning instructions for the heat pump manager.

The appliance is equipped with a source protection function. If the temperature falls below a defined brine temperature, the appliance automatically reduces the power.

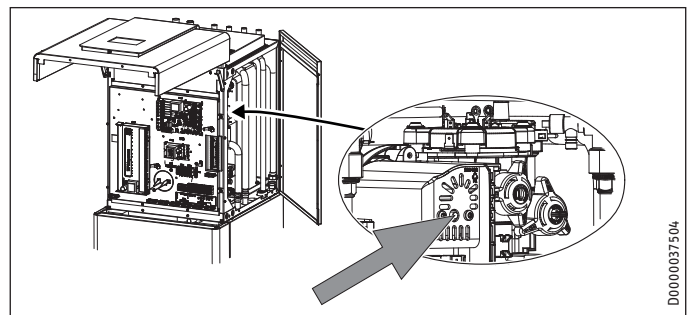
#### 11.1.3 Temperature sensors

- Have you correctly positioned and connected the outside sensor and the immersion/contact sensor (in conjunction with a buffer cylinder)?

#### 11.1.4 High limit safety cut-out

At ambient temperatures below -15 °C, the high limit safety cut-out of the multifunction assembly may respond.

- ▶ Check whether the high limit safety cut-out has tripped.



- ▶ Reset the high limit safety cut-out by pressing the reset button.

#### 11.1.5 Power supply

- Have you correctly connected the power supply?

### 11.2 Initial start-up

#### 11.2.1 Activating spread control

- ▶ To adapt the appliance to your requirements, activate spread control.

Parameter	Setting
SPREAD CONTROL (COMMISSIONING / CHARGING PUMP CONTROL / HEATING / TYPE OF CONTROL)	ON
SPREAD CONTROL (COMMISSIONING / CHARGING PUMP CONTROL / DHW / TYPE OF CONTROL)	ON

#### 11.2.2 Heating curve adjustment

The efficiency of a heat pump decreases as the flow temperature rises. Adjust the heating curve carefully. Heating curves that are set too high cause the zone valves or thermostatic valves to close, which may result in the minimum required flow rate in the heating circuit being undershot.

- ▶ Observe the WPM commissioning instructions.

The following steps will help you to adjust the heating curve correctly:

- ▶ Fully open thermostatic or zone valves in a lead room (e.g. living room or bathroom).  
We do not recommend installing thermostatic or zone valves in the lead room. Control the temperature for these rooms via a remote control.
- ▶ At different outside temperatures (e.g. -10 °C and +10 °C), adjust the heating curve so that the required temperature is set in the lead room.

Standard values to begin with:

Parameter	Underfloor heating	Radiator heating system
Heating curve	0.4	0.8
Control dynamic	10	10
Comfort temperature	20 °C	20 °C

- ▶ If the room temperature in spring and autumn is too low (approx. 10 °C outside temperature), raise the comfort temperature.

Parameter
COMFORT TEMPERATURE (SETTINGS / HEATING / HEATING CIRCUIT)



#### Note

If no remote control is installed, raising the comfort temperature leads to a parallel offset of the heating curve.

- ▶ If the room temperature is not high enough at low outside temperatures, increase the heating curve.

Parameter
HEATING CURVE RISE (SETTINGS / HEATING / HEATING CIRCUIT)

- ▶ If the heating curve has been raised, adjust the zone valve or thermostatic valve in the lead room to the required temperature when outside temperatures are high.



#### Note

▶ Never reduce the temperature in the entire building by closing all zone or thermostatic valves; instead use the setback programs.

- ▶ Once everything has been implemented correctly, the system can be heated to its maximum operating temperature and vented once again.



#### Material losses

- ▶ For underfloor heating systems, observe the maximum permissible temperature for that particular underfloor heating.

#### 11.2.3 Other settings

- ▶ For operation with or without a buffer cylinder, see chapter "Menu / SETTINGS / STANDARD SETTING / BUFFER OPERATION" in the WPM commissioning instructions.

## 12. Appliance handover

Explain the appliance function to users and familiarise them with how it works.



#### Note

- ▶ Hand over these operating and installation instructions to the user for safe-keeping. All information in these instructions must be closely observed. The instructions provide information on safety, operation, installation and maintenance of the appliance.

## 13. Appliance shutdown



#### Material losses

- ▶ Never interrupt the heat pump power supply, even outside of the heating season. Otherwise, system frost protection is not guaranteed.  
The heat pump manager automatically switches the heat pump to summer or winter mode.



#### Material losses

- ▶ Observe the temperature application limits and the minimum circulation volume on the heat consumer side (see chapter "Specification / Data table").

### 13.1 Standby mode

To shut the system down, simply set the heat pump manager to "Standby mode". This way, the safety functions that protect the system remain enabled, e.g. frost protection.

### 13.2 Power interruption

If the system is to be isolated from the power supply permanently, please observe the following:



#### Material losses

- ▶ If the heat pump is completely switched OFF and there is a risk of frost, drain the system on the water side.

### 14. Troubleshooting



#### WARNING Electrocutation

- ▶ Before working on the appliance, isolate it from the power supply at the terminal area. Following disconnection from the power supply, parts of the appliance may remain energised for 5 minutes until the inverter capacitors have discharged.



#### Note

- ▶ Please observe the instructions for the heat pump manager.



#### Note

- The following inspection instructions may only be carried out by a qualified contractor.



#### Note

- When you open the appliance, check the sealing tape. The sealing tape is required for generating the necessary negative pressure.
  - ▶ Replace the sealing tape if required.



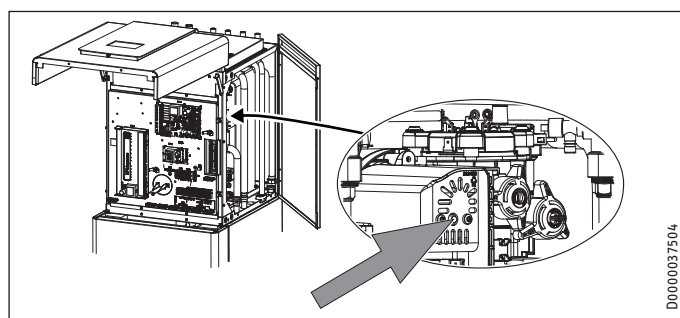
#### Note

- The built-in fan must generate a negative pressure of at least 30 Pa.
  - ▶ Check the negative pressure with a barometer on the back of the appliance.

#### 14.1 Resetting the high limit safety cut-out

If the heating water temperature exceeds 95 °C, the electric emergency/booster heater shuts down.

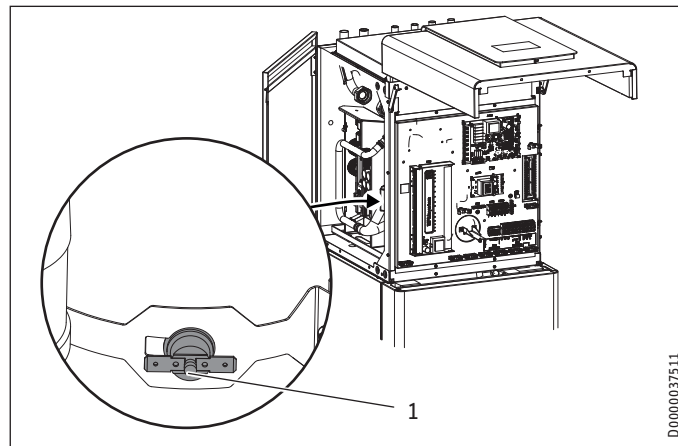
- ▶ Remove the cause of the fault.



- ▶ Reset the high limit safety cut-out by pressing the reset button. If necessary, use a pointed object to do this.
- ▶ Check whether the heating water is being circulated at a sufficiently high flow rate.

#### 14.2 Resetting the compressor tempering device

If the hot gas temperature exceeds 120 °C, the compressor shuts down.



- 1 tempering device reset button

- ▶ Isolate the appliance from the power supply.
- ▶ Remove the cause of the fault.



#### Note

- ▶ Do not reset the high limit safety cut-out at temperatures above 65 °C.

- ▶ Reset the high limit safety cut-out by pressing the reset button.

#### 14.3 Checking the IWS DIP switch settings

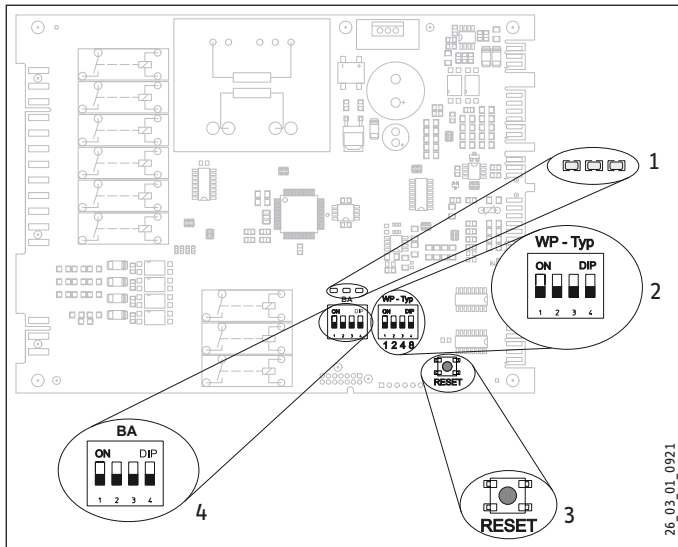
If the fault cannot be located during a service using the heat pump manager, open the control panel in emergencies and check the IWS settings.

- ▶ Remove the upper panel (see chapter "Installation / Transport / Separating the appliance / Removing the upper front panel").

# INSTALLATION

## Troubleshooting

### IWS



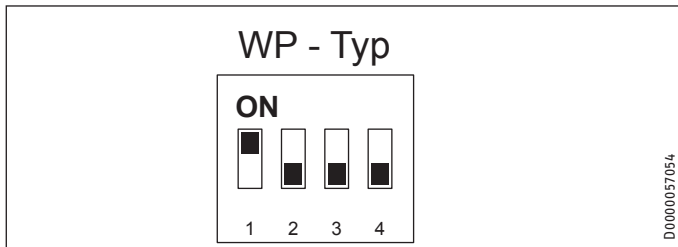
- 1 LEDs
- 2 DIP switch (WP-Typ)
- 3 Reset button
- 4 DIP switch (BA)

#### DIP switch (WP-Typ)

The DIP switch (WP-Typ) on the IWS serves to set the relevant heat pump type.

#### Factory setting

##### Compressor mode with electric emergency/booster heater



- ▶ Check whether the DIP switch is set correctly.

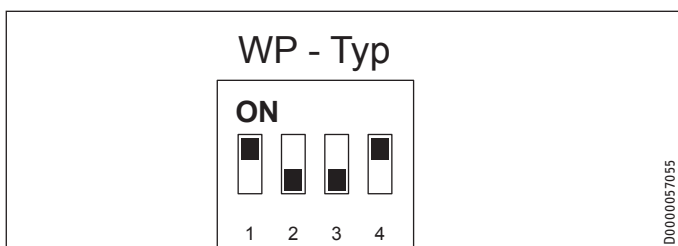
##### Compressor mode with an external second heat generator



#### Material losses

In this case, do not connect the electric emergency/booster heater.

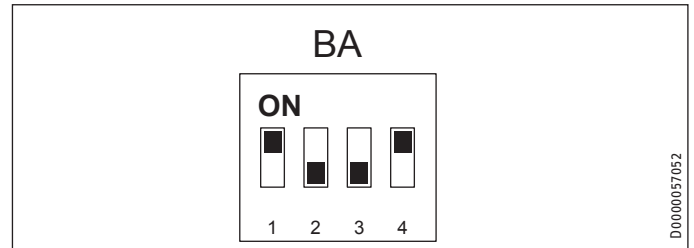
If the appliance is operated in dual mode operation with an external second heat generator or as a module with a further heat pump, set the DIP switch as shown.



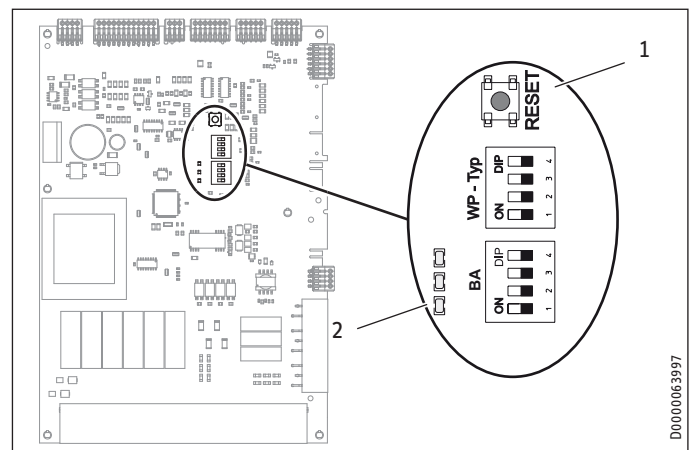
#### DIP switch (BA)

- ▶ Check whether the DIP switch (BA) is set correctly.

#### Heating mode



### 14.4 LEDs (IWS)



- 1 Reset button
- 2 LEDs

The following table shows the meaning of the LEDs on the IWS.

LED indicator	Meaning
Red LED flashes	Single fault. The appliance shuts down. The appliance restarts after 10 minutes. The LED goes off.
Red LED illuminates	Multiple faults have occurred. The appliance shuts down. The appliance only restarts following a reset on the IWS. This also resets the internal fault counter. The appliance can be restarted after 10 minutes. The LED goes off.
Green LED (centre) flashes	The heat pump is initialising.
Green LED (centre) illuminates	The heat pump was initialised successfully and the connection with the WPM is active.

#### Faults indicated by the red LED:

- High pressure fault
- Low pressure fault
- Central fault
- Hardware fault on the IWS

### 14.5 Reset button

If the IWS was incorrectly initialised, you can reset the settings with this button.

- ▶ For this, also observe chapter "Reset options" in the heat pump manager commissioning instructions.

### 15. Maintenance



#### WARNING Electrocutation

► Prior to commencing any service or cleaning work, isolate the appliance across all poles from the power supply.

Following disconnection from the power supply, parts of the appliance may remain energised for 5 minutes until the inverter capacitors have discharged.



#### Note

When you open the appliance, check the sealing tape. The sealing tape is required for generating the necessary negative pressure.

► Replace the sealing tape if required.

We recommend a regular inspection (to establish the current condition of the system), and maintenance if required (to return the system to its original condition).

► Check the discharge aperture on the top of the appliance and the intake aperture on the side of the appliance (visual check). Remove any contaminants and blockages immediately.

#### 15.1 DHW cylinder

##### Opening the appliance

► Remove the upper and lower front panels (see chapter "Installation / Transport / Opening the appliance").

##### Draining the DHW cylinder

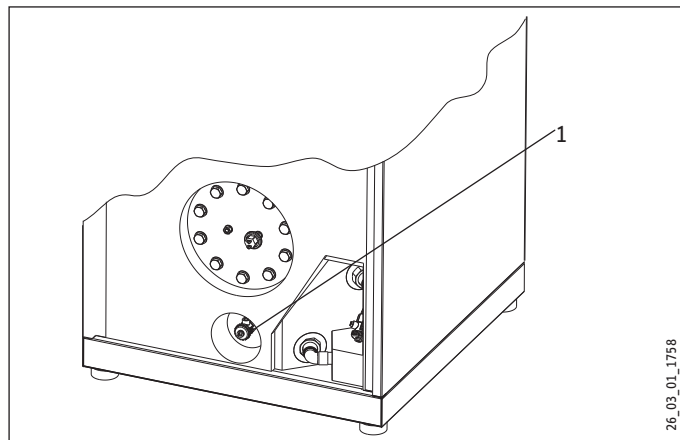


#### WARNING Burns

Hot water may escape when draining the DHW cylinder.

► Close the shut-off valve in the cold water inlet line.

► Open the hot water taps on all draw-off points.



1 Drain

► Empty the DHW cylinder via the drain.

Please note that some residual water will remain in the bottom of the cylinder.

##### Cleaning and descaling

► Remove the flange plate.

► Clean the DHW cylinder through the inspection port.

► Never use descaling pumps. Never use descaling agents to clean the enamel coating and protective anodes.

##### Replacing the protective anodes

Two protective anodes are installed in the DHW cylinder to protect it against corrosion. One of the protective anodes has a consumption indicator.

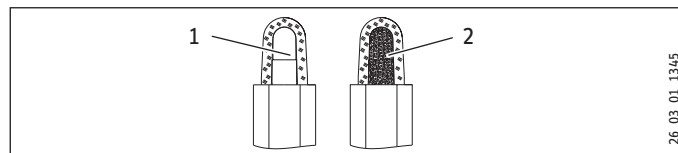
► Check the protective anodes at regular intervals.

We recommend checking the protective anodes at the latest two years after commissioning.



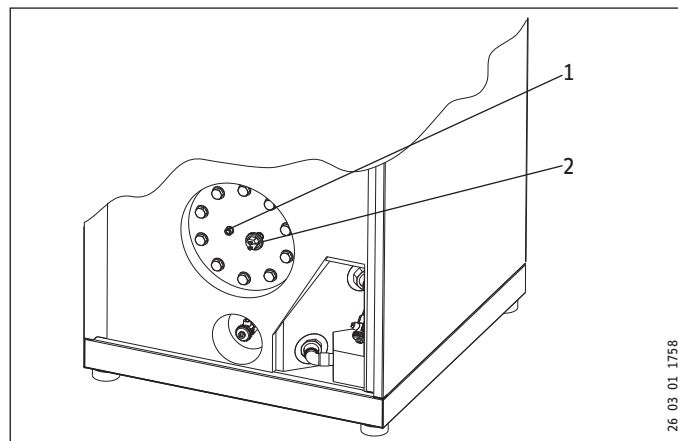
#### Material losses

Replace the protective anodes when the colour of the protective anode with the consumption indicator changes from white to red.



1 white = protective anode OK

2 red = replace protective anodes



1 Protective anode without consumption indicator

2 Protective anode with consumption indicator

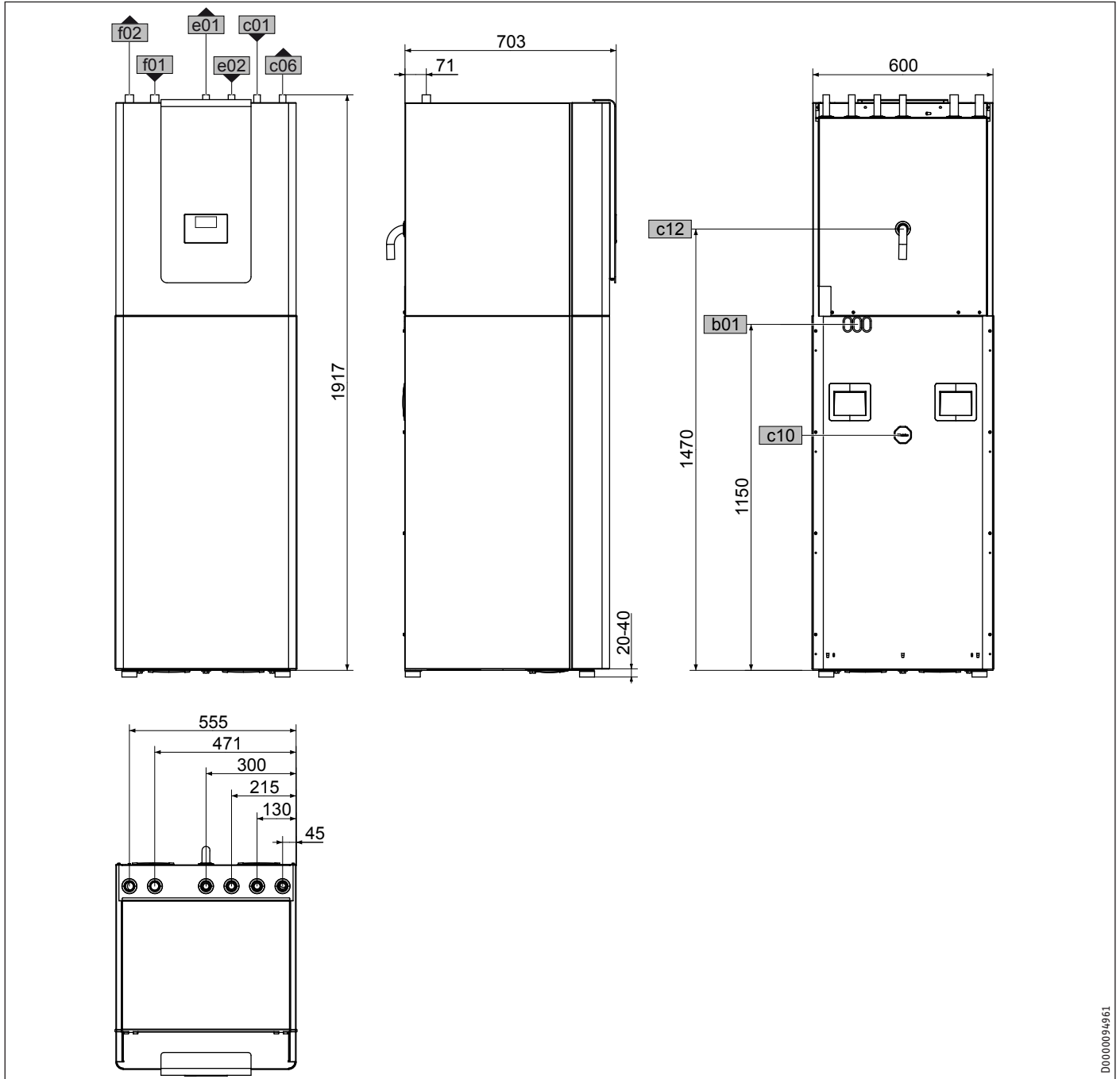


#### Material losses

Install the protective anodes as shown in the diagram.

## 16. Specification

### 16.1 Dimensions and connections



D0000094961



# INSTALLATION

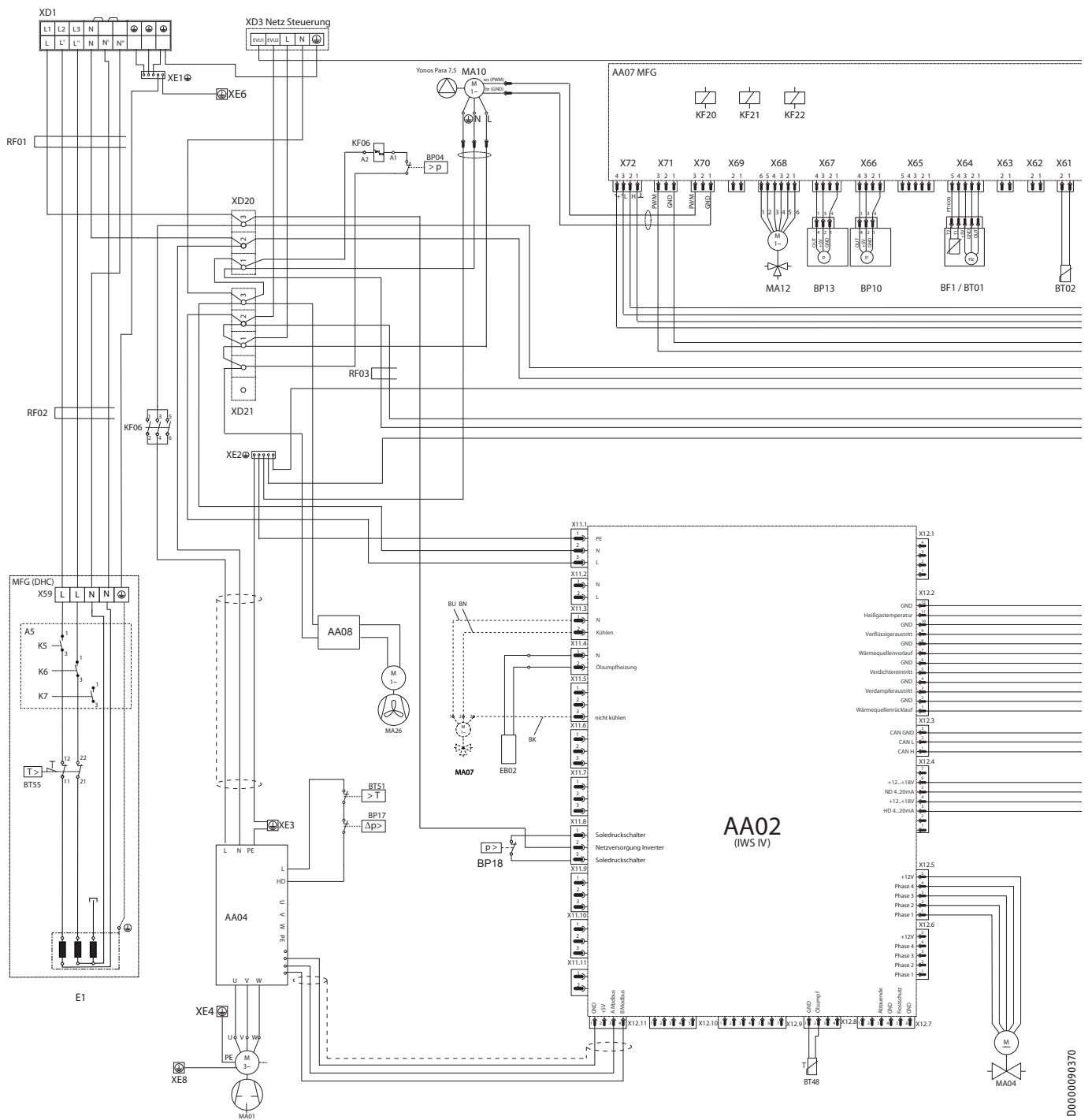
## Specification

			WPE-I 04 HW 230 Premium	WPE-I 06 HW 230 Premium	WPE-I 08 HW 230 Premium	WPE-I 12 HW 230 Premium	WPE-I 15 HW 230 Premium
b01	Entry electrical cables						
c01	Cold water inlet	Diameter	mm	22	22	22	22
c06	DHW outlet	Diameter	mm	22	22	22	22
c10	DHW circulation						
c12	Safety valve drain						
e01	Heating flow	Diameter	mm	22	22	22	22
e02	Heating return	Diameter	mm	22	22	22	22
f01	Heat source flow	Diameter	mm	28	28	28	28
f02	Heat source return	Diameter	mm	28	28	28	28

			WPE-I 04 HKW 230 Premium	WPE-I 06 HKW 230 Premium	WPE-I 08 HKW 230 Premium	WPE-I 12 HKW 230 Premium	WPE-I 15 HKW 230 Premium
b01	Entry electrical cables						
c01	Cold water inlet	Diameter	mm	22	22	22	22
c06	DHW outlet	Diameter	mm	22	22	22	22
c10	DHW circulation						
c12	Safety valve drain						
e01	Heating flow	Diameter	mm	22	22	22	22
e02	Heating return	Diameter	mm	22	22	22	22
f01	Heat source flow	Diameter	mm	28	28	28	28
f02	Heat source return	Diameter	mm	28	28	28	28

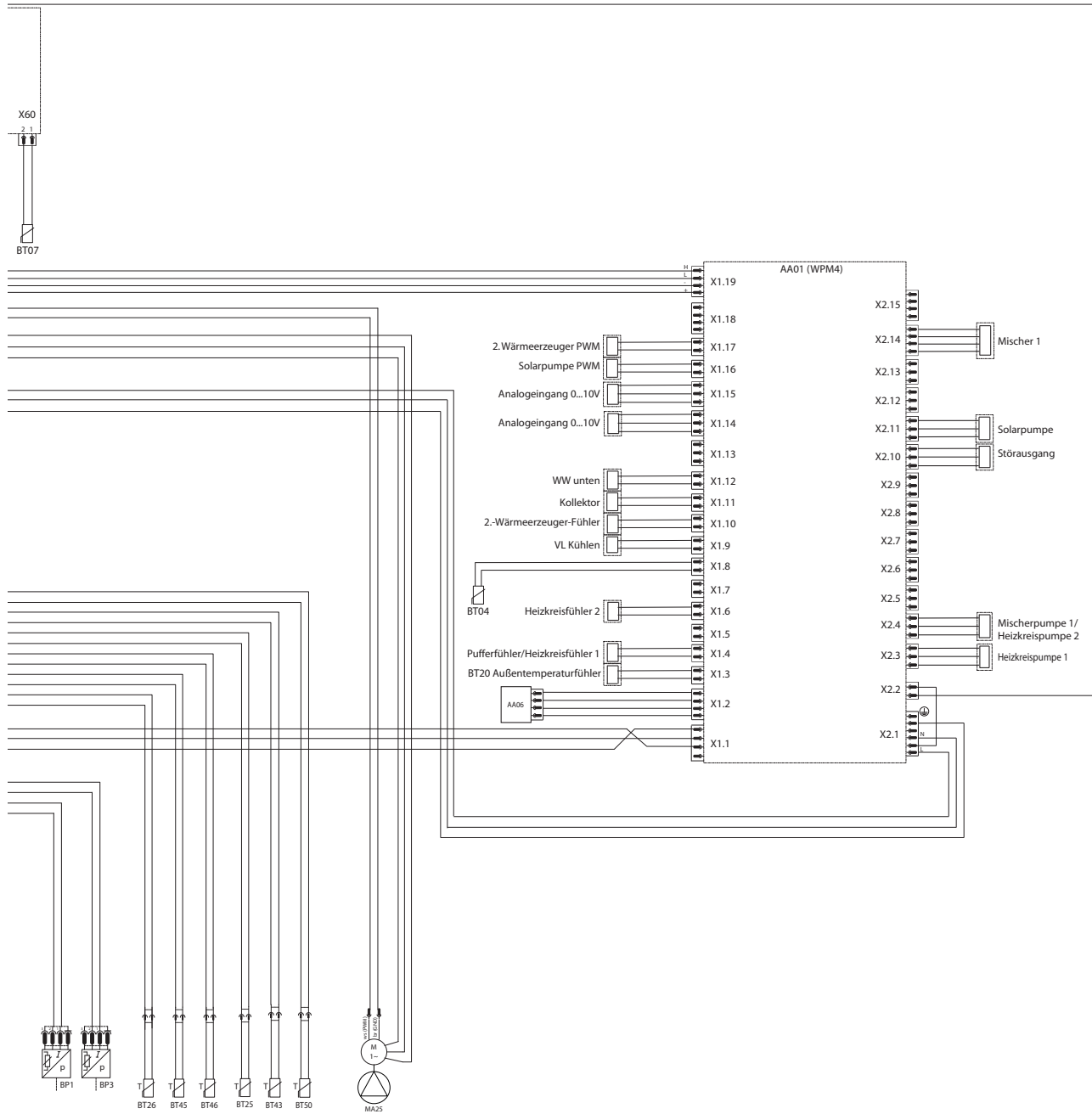
# INSTALLATION Specification

## 16.2 Wiring diagram



D0000090370

# INSTALLATION Specification



D0000090370

# INSTALLATION

## Specification

<b>Key</b>			
AA01	Heat pump manager (WPM)	XE4	Earth stud, inverter cooling
AA02	Integral heat pump control unit (IWS)	XE6	Earth stud, programming unit panel
AA04	Inverter compressor	XE8	Earth stud, oscillation plate
AA06	Programming unit	X1.1	WPM CAN IWS
AA07	Multifunction assembly MFG 3.2	X1.2	WPM CAN programming unit
AA08	Fan power supply unit	X1.3	WPM outside temperature sensor
BF1	Flow sensor, heating	X1.4	WPM buffer cylinder / HC 1
BL01	Float switch	X1.6	WPM HC 2
BP1	High pressure sensor (34 bar)	X1.8	WPM DHW sensor
BP3	Low pressure sensor (16 bar)	X1.9	WPM flow, cooling
BP4	High pressure switch (34 bar)	X1.10	WPM 2nd heat generator sensor
BP10	Heating circuit pressure sensor	X1.11	WPM collector
BP13	Heat source pressure sensor	X1.12	WPM DHW, bottom
BP17	Internal negative pressure barometric cell	X1.14	WPM analogue input 0-10 V
BP18	Heat source pressure switch	X1.15	WPM analogue input 0-10 V
BT01	Heating flow temperature sensor - Pt1000	X1.16	WPM solar circuit pump PWM
BT02	Heating return temperature sensor - Pt1000	X1.17	WPM 2nd heat generator PWM
BT07	Heating flow temperature sensor, multifunction assembly MFG - Pt1000	X1.19	WPM CAN MFG
BT20	Outdoor air temperature sensor - Pt1000	X2.1	WPM power supply
BT25	Heat source flow temperature sensor - Pt1000	X2.2	WPM power-OFF
BT26	Heat source return temperature sensor - Pt1000	X2.3	WPM HC pump 1
BT43	Condenser outlet temperature sensor - Pt1000	X2.4	WPM mixer pump 1 / HC pump 2
BT45	Temperature sensor, evaporator discharge	X2.10	WPM fault output
BT46	Compressor intake temperature sensor - Pt1000	X2.11	WPM solar circuit pump
BT48	Oil sump temperature sensor - Pt1000	X2.14	WPM mixer 1
BT50	Hot gas temperature sensor - Pt1000	X11.1	3-pin IWS plug - power supply control
BT51	Temperature switch, compressor housing	X11.3	2-pin IWS plug - defrost valve
BT55	High limit safety cut-out MFG	X11.4	2-pin IWS plug - oil sump heater
EB02	Oil sump heater	X11.8	3-pin IWS plug - power-OFF
KF06	Contactors	X12.1	4-pin IWS Rast plug - fan PWM
KF20	Emergency/booster heater relay, multifunction assembly MFG	X12.2	12-pin IWS Rast plug - temperature sensor 1
KF21	Emergency/booster heater relay, multifunction assembly MFG	X12.3	3-pin IWS Rast plug - BUS connection
KF22	Emergency/booster heater relay, multifunction assembly MFG	X12.4	7-pin IWS Rast plug - high/low pressure
MA01	Compressor motor	X12.5	5-pin IWS Rast plug - expansion valve
MA04	Electrical expansion valve stepper motor	X12.6	5-pin IWS Rast plug - inverter cooling valve
MA07	Heating/cooling diverter valve motor	X12.7	6-pin IWS Rast plug - temperature sensor 2
MA10	Circulation pump	X12.9	7-pin IWS Rast plug - air differential pressure sensor
MA12	DHW heating diverter valve motor	X12.11	4-pin IWS Rast plug - Modbus inverter
MA25	Heat source pump motor		
MA26	Suction fan		
RF01	Snap-on ferrite bead, compressor cable, emergency/booster heater cable		
RF02	Snap-on ferrite bead, emergency/booster heater cable		
RF03	Snap-on ferrite bead, WPM cable		
XD1	Terminal, external emergency/booster heater, HP power supply		
XD3	External control terminal		
XD20	Distribution terminal		
XD21	Distribution terminal		
XE1	Earth block		
XE2	Earth block		
XE3	Earth stud, inverter panel		

---

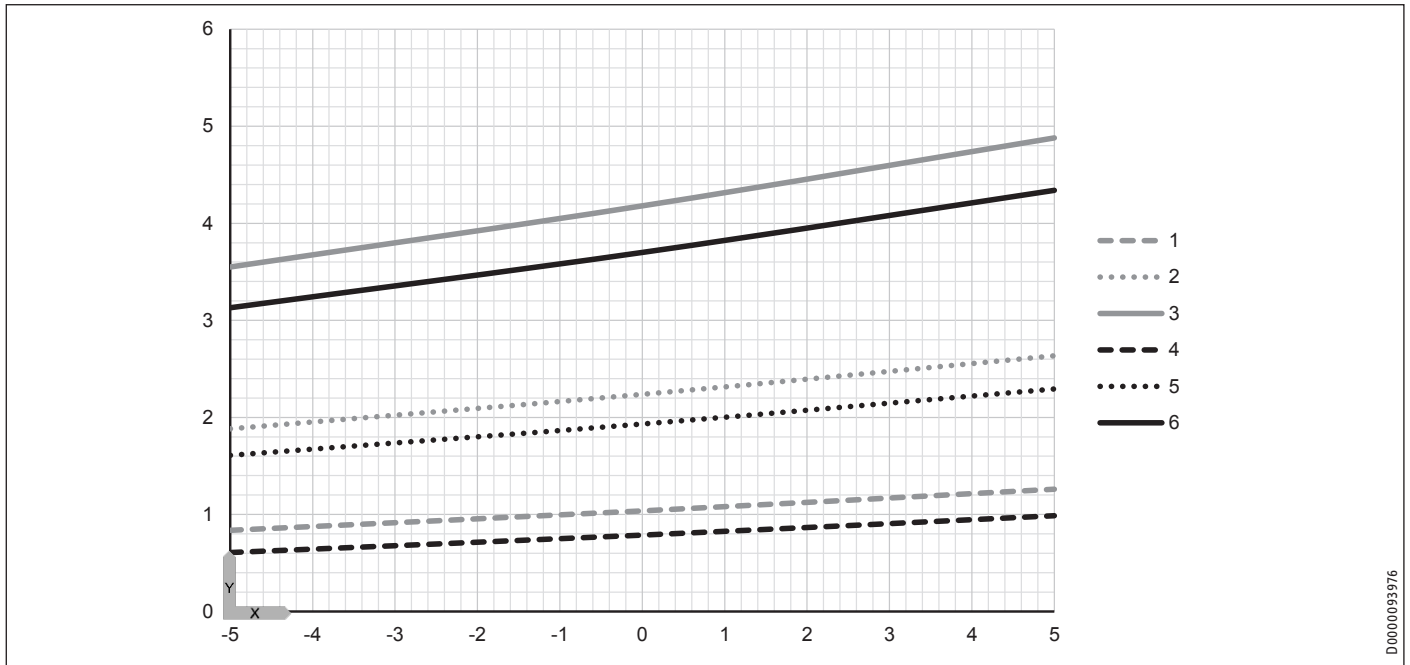
INSTALLATION  
Specification

---

## 16.3 Output diagrams

### 16.3.1 WPE-I 04 HW 230 Premium | WPE-I 04 HKW 230 Premium

#### Heating output

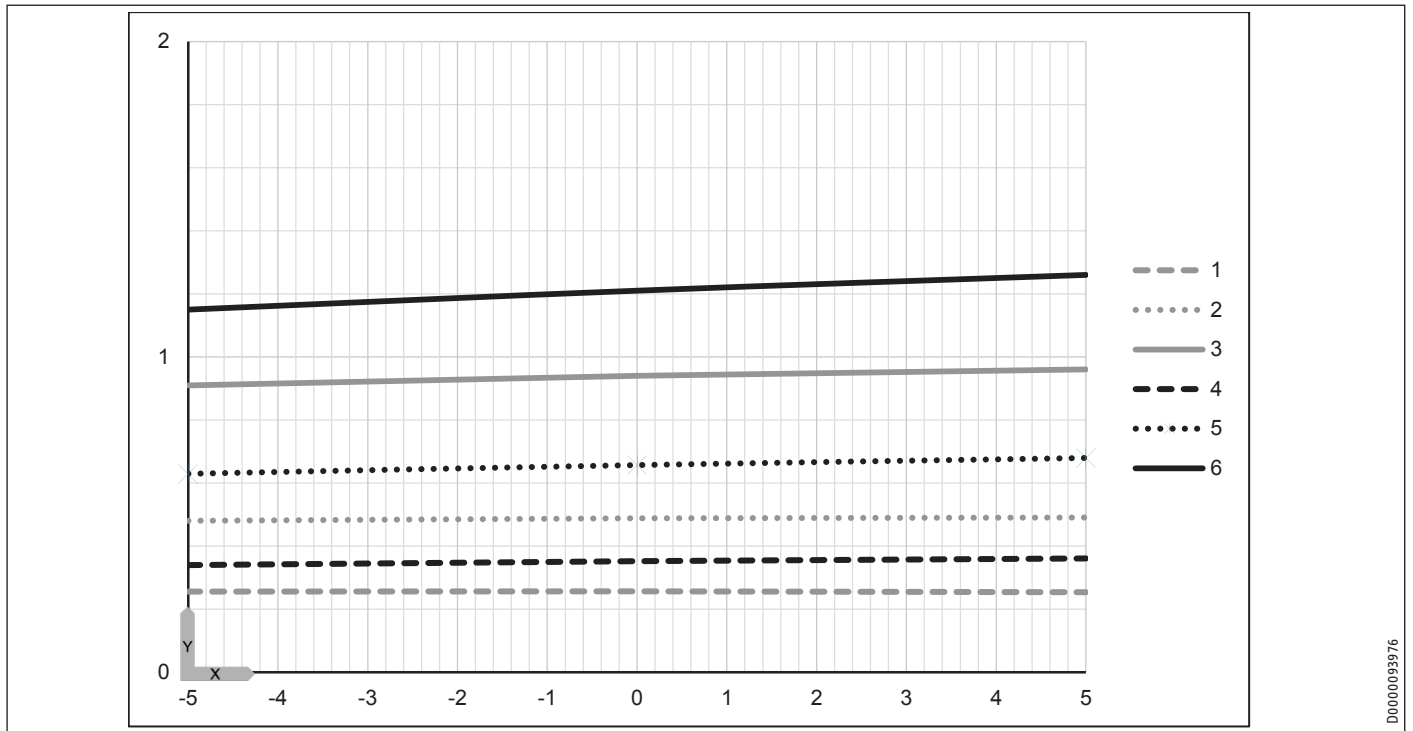


D0000093976

	X Inlet temperature of the WQA medium [°C]			Y Heating output [kW]		
Flow temperature	35 °C			55 °C		
Output [RPS]	1 1 %	2 50 %	3 100 %	4 1 %	5 50 %	6 100 %

# INSTALLATION Specification

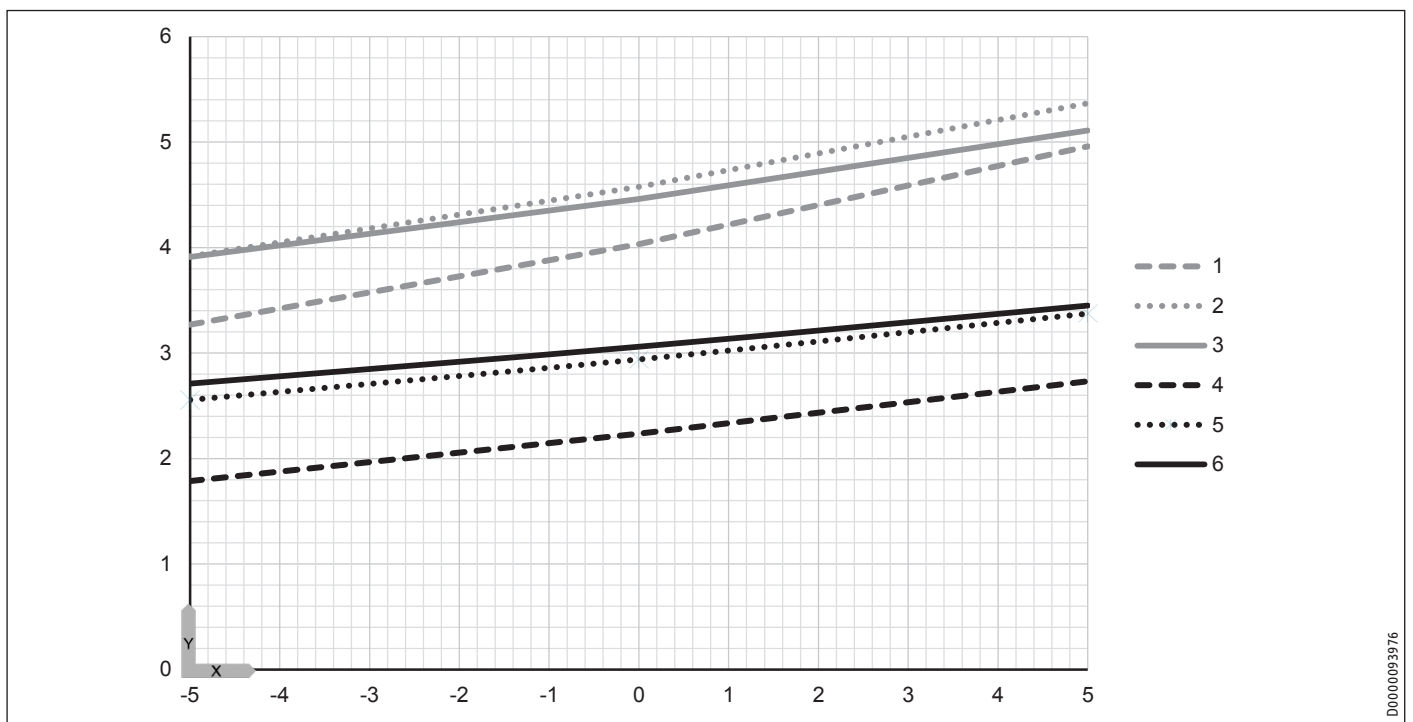
## Power consumption



D0000093976

	X Inlet temperature of the WQA medium [°C]			Y Power consumption [kW]		
Flow temperature	35 °C			55 °C		
Output [RPS]	1 1 %	2 50 %	3 100 %	4 1 %	5 50 %	6 100 %

## Coefficient of performance (COP)



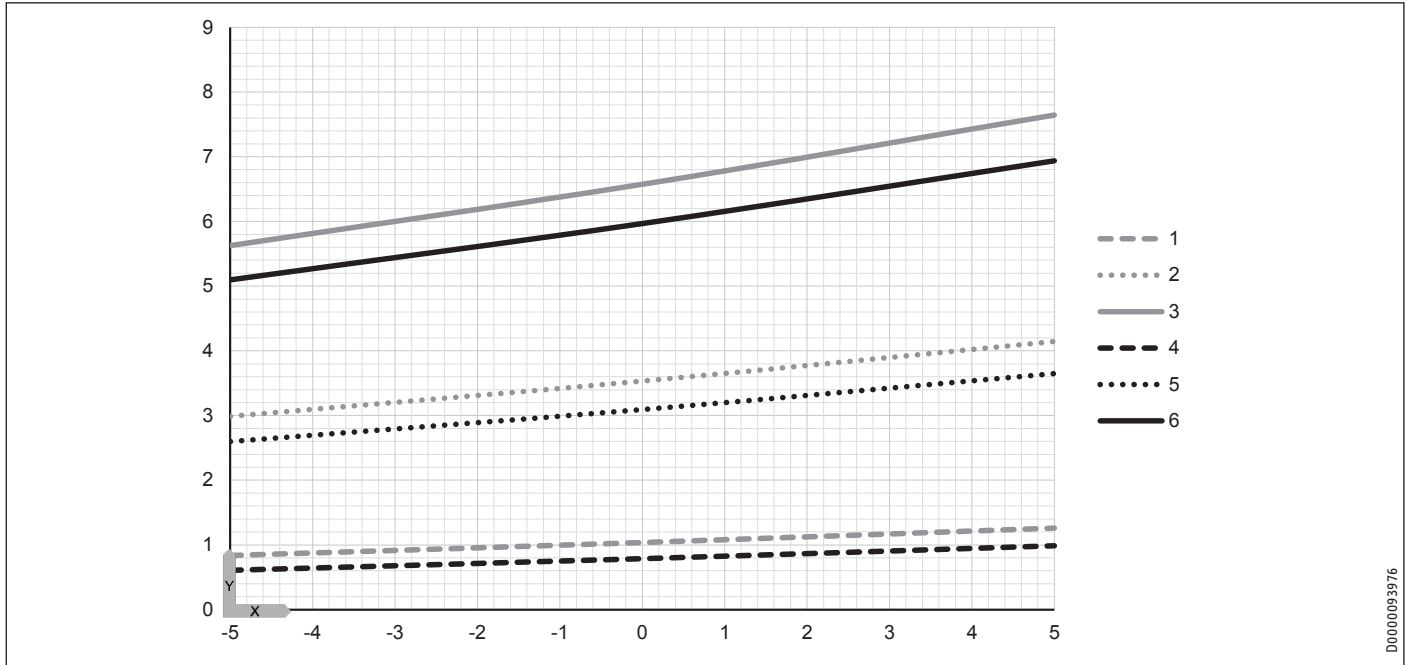
D0000093976

	X Inlet temperature of the WQA medium [°C]			Y Coefficient of performance e [-]		
Flow temperature	35 °C			55 °C		
Output [RPS]	1 1 %	2 50 %	3 100 %	4 1 %	5 50 %	6 100 %

# INSTALLATION Specification

## 16.3.2 WPE-I 06 HW 230 Premium | WPE-I 06 HKW 230 Premium

### Heating output



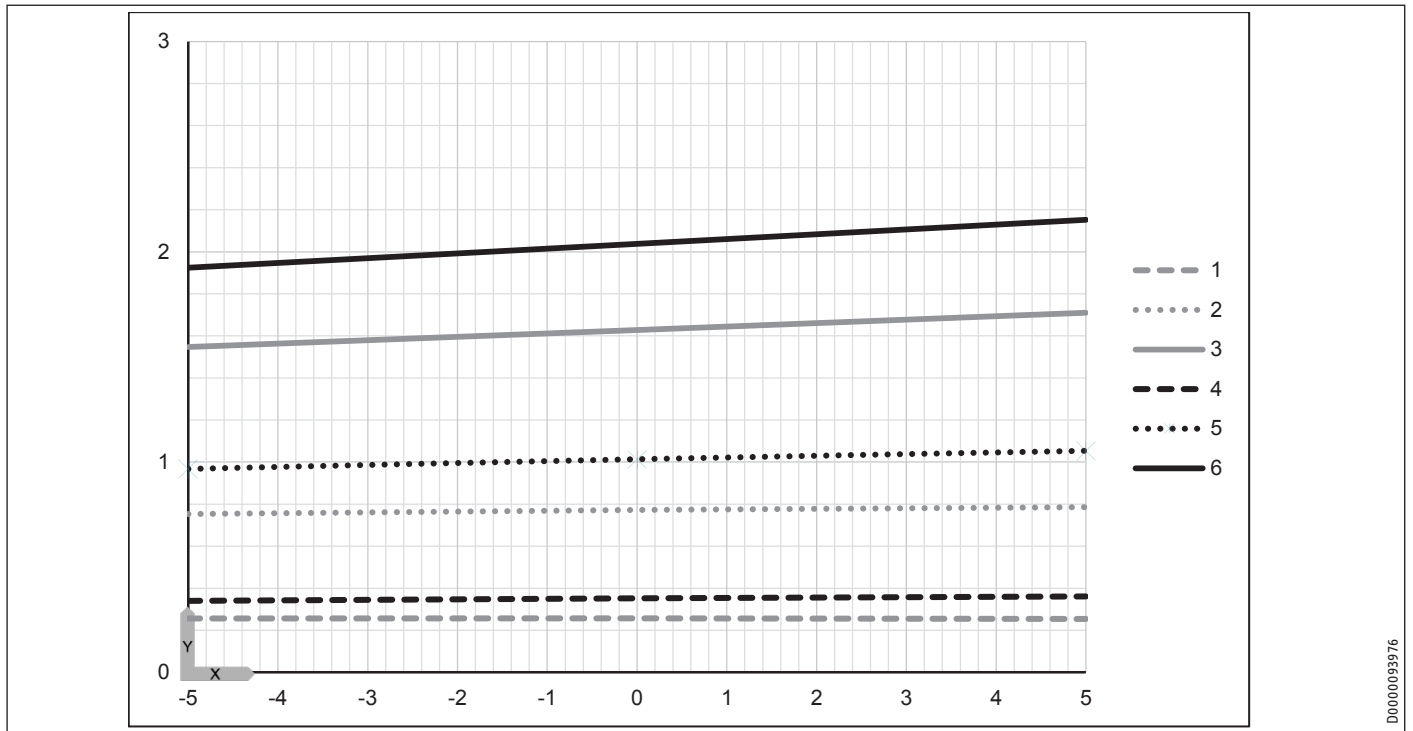
D0000093976

	X Inlet temperature of the WQA medium [°C]			Y Heating output [kW]		
Flow temperature	35 °C			55 °C		
Output [RPS]	1 1 %	2 50 %	3 100 %	4 1 %	5 50 %	6 100 %



# INSTALLATION Specification

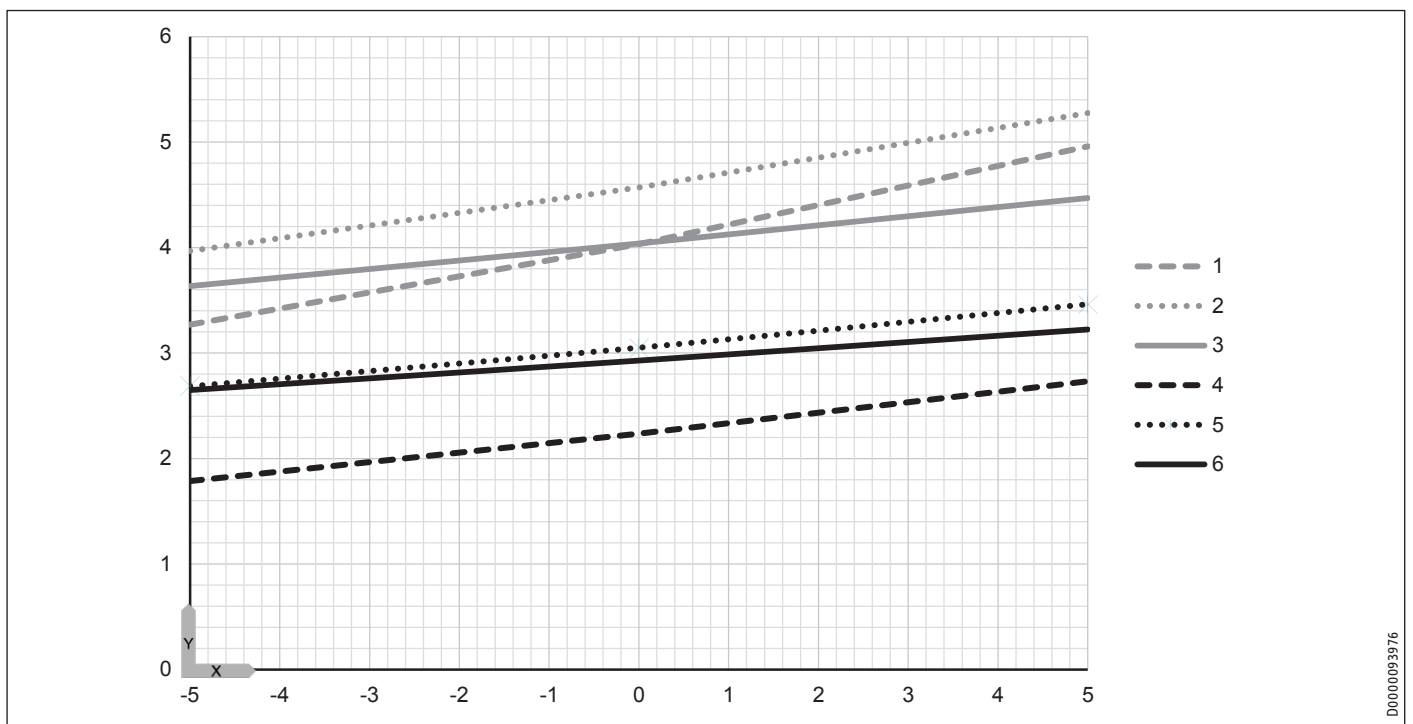
## Power consumption



D000093976

	X Inlet temperature of the WQA medium [°C]			Y Power consumption [kW]		
Flow temperature	35 °C			55 °C		
Output [RPS]	1 1 %	2 50 %	3 100 %	4 1 %	5 50 %	6 100 %

## Coefficient of performance (COP)



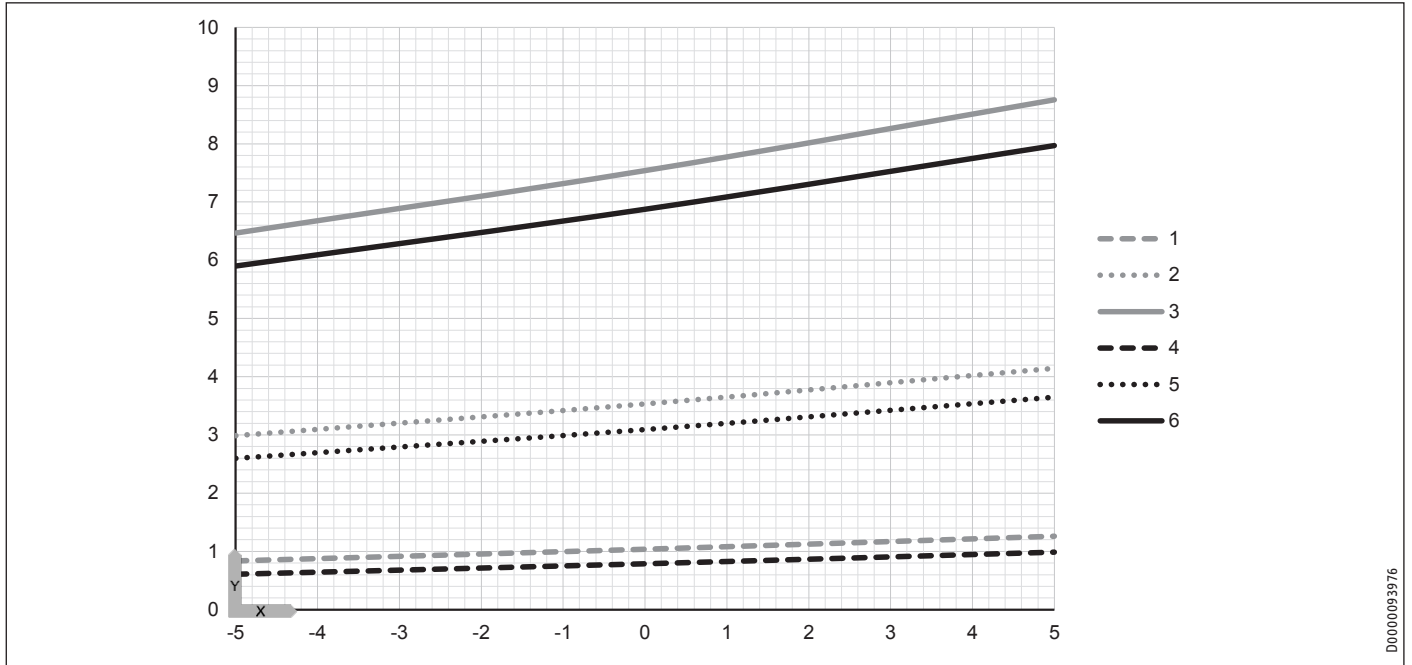
D000093976

	X Inlet temperature of the WQA medium [°C]			Y Coefficient of performance e [-]		
Flow temperature	35 °C			55 °C		
Output [RPS]	1 1 %	2 50 %	3 100 %	4 1 %	5 50 %	6 100 %

# INSTALLATION Specification

## 16.3.3 WPE-I 08 HW 230 Premium | WPE-I 08 HKW 230 Premium

### Heating output

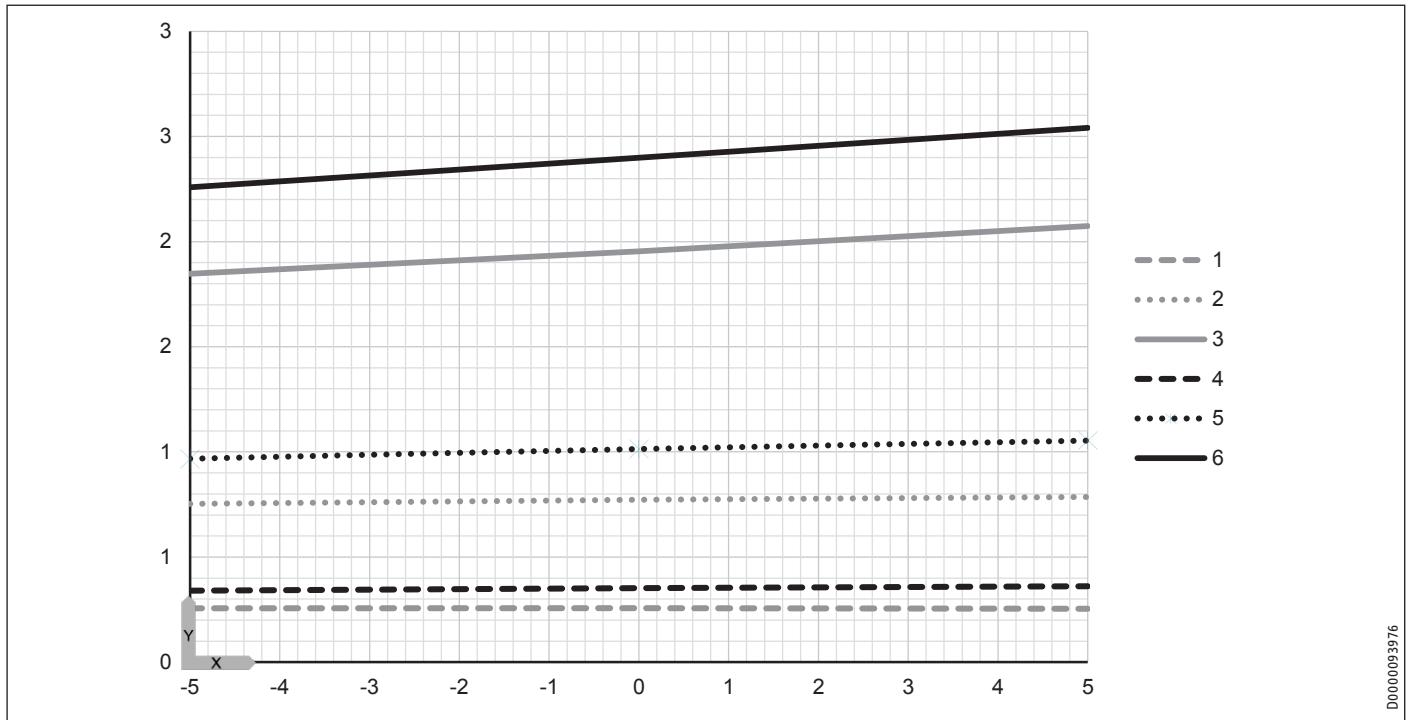


D0000093976

	X Inlet temperature of the WQA medium [°C]			Y Heating output [kW]		
Flow temperature	35 °C			55 °C		
Output [RPS]	1 1 %	2 50 %	3 100 %	4 1 %	5 50 %	6 100 %

# INSTALLATION Specification

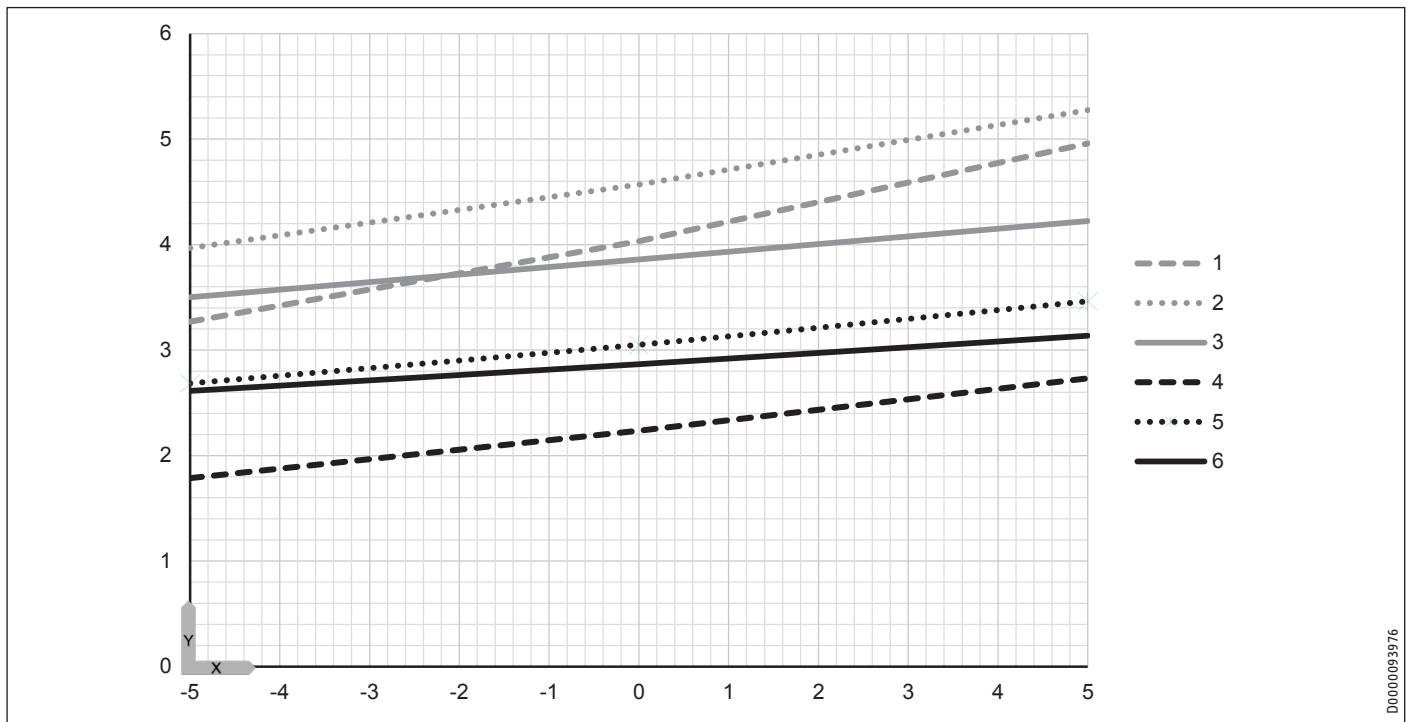
## Power consumption



D0000093976

	X Inlet temperature of the WQA medium [°C]			Y Power consumption [kW]		
Flow temperature	35 °C			55 °C		
Output [RPS]	1 1 %	2 50 %	3 100 %	4 1 %	5 50 %	6 100 %

## Coefficient of performance (COP)



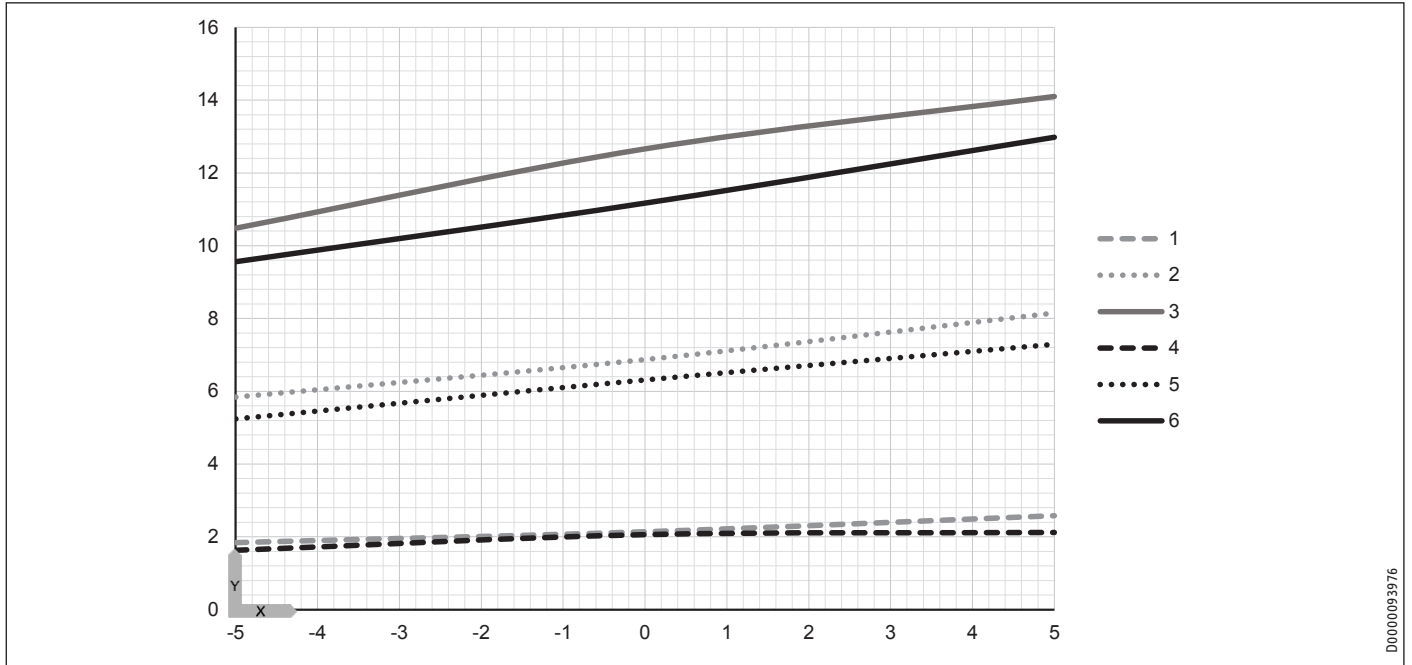
D0000093976

	X Inlet temperature of the WQA medium [°C]			Y Coefficient of performance e [-]		
Flow temperature	35 °C			55 °C		
Output [RPS]	1 1 %	2 50 %	3 100 %	4 1 %	5 50 %	6 100 %

# INSTALLATION Specification

## 16.3.4 WPE-I 12 HW 230 Premium | WPE-I 12 HKW 230 Premium

### Heating output

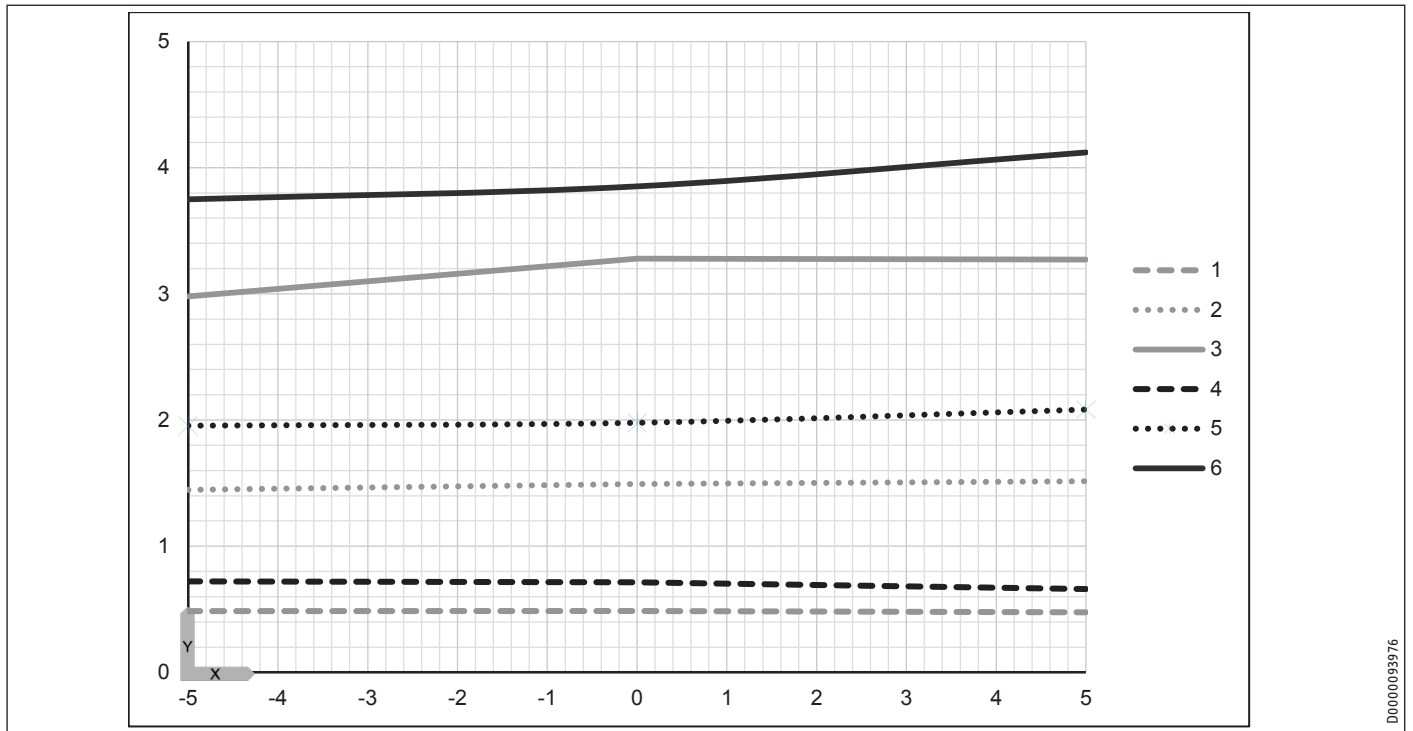


D0000093976

	X Inlet temperature of the WQA medium [°C]	Y Heating output [kW]
Flow temperature	35 °C	55 °C
Output [RPS]	1 1 %      2 50 %      3 100 %	4 1 %      5 50 %      6 100 %

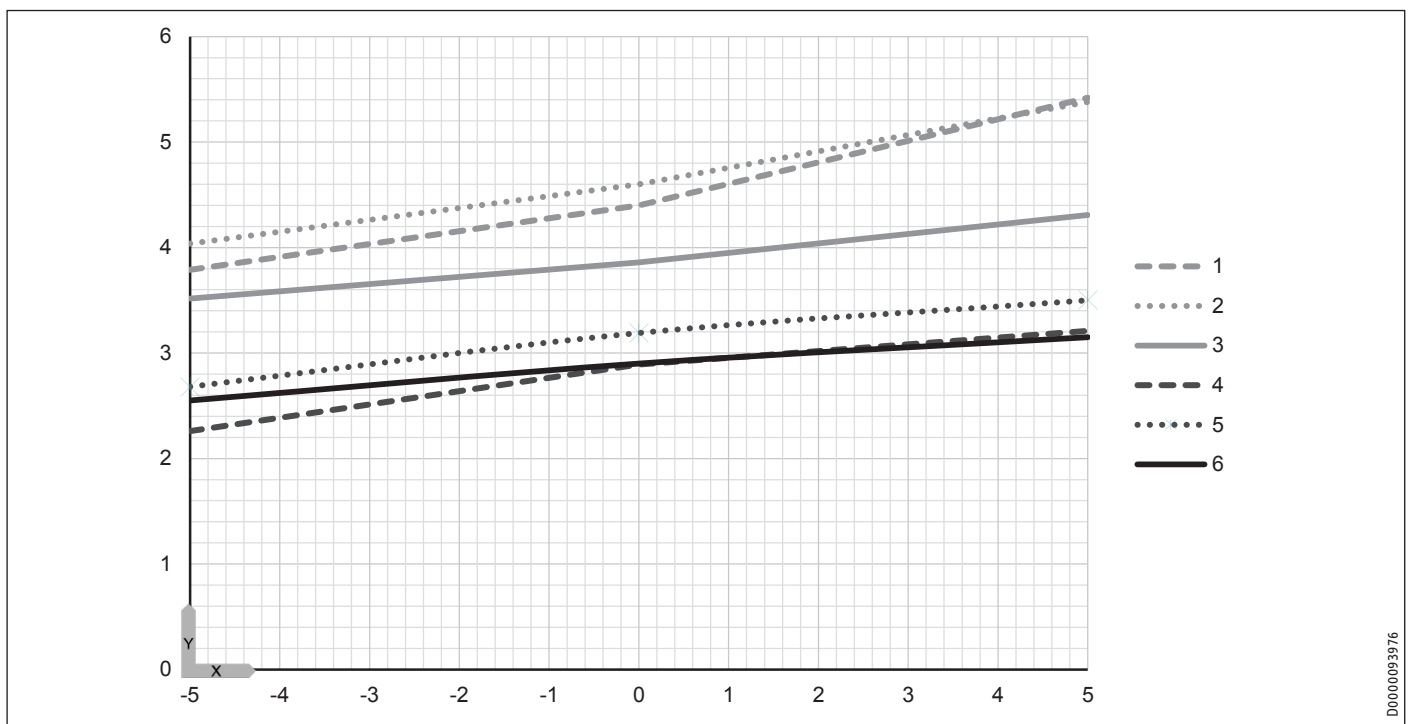
# INSTALLATION Specification

## Power consumption



	X Inlet temperature of the WQA medium [°C]			Y Power consumption [kW]		
Flow temperature	35 °C			55 °C		
Output [RPS]	1 1 %	2 50 %	3 100 %	4 1 %	5 50 %	6 100 %

## Coefficient of performance (COP)

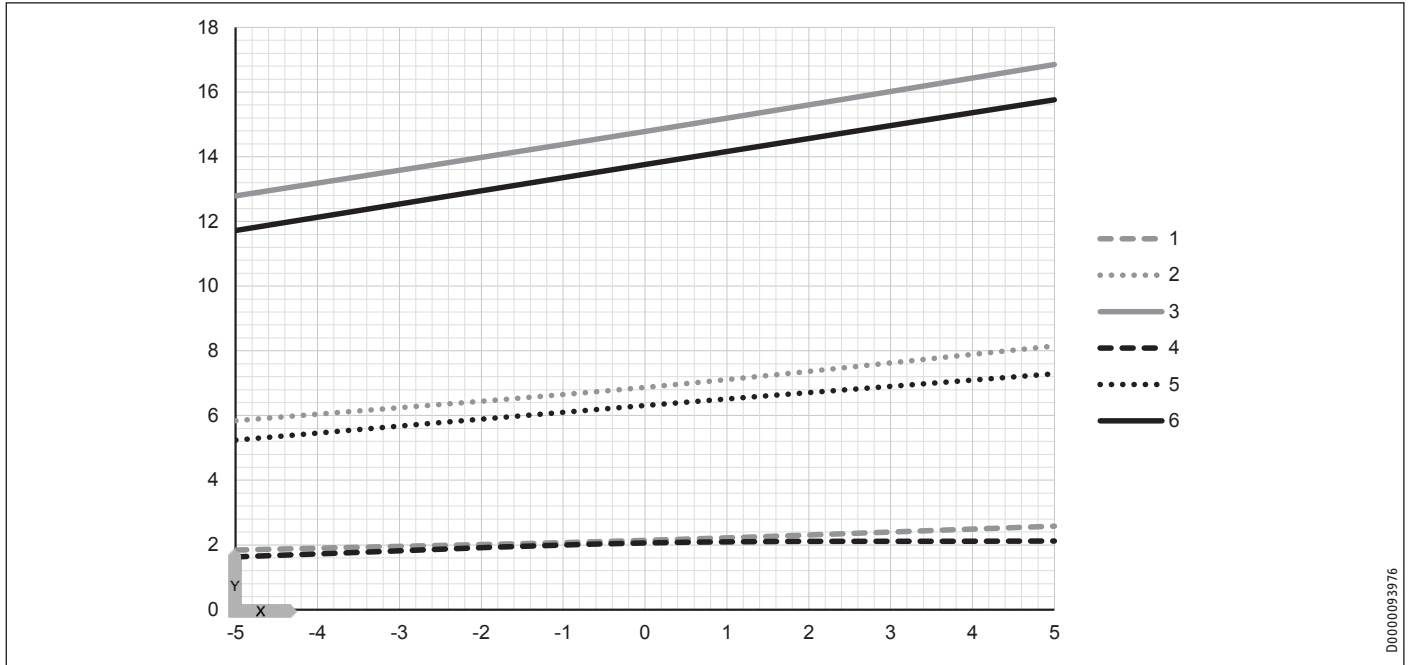


	X Inlet temperature of the WQA medium [°C]			Y Coefficient of performance e [-]		
Flow temperature	35 °C			55 °C		
Output [RPS]	1 1 %	2 50 %	3 100 %	4 1 %	5 50 %	6 100 %

# INSTALLATION Specification

## 16.3.5 WPE-I 15 HW 230 Premium | WPE-I 15 HKW 230 Premium

### Heating output

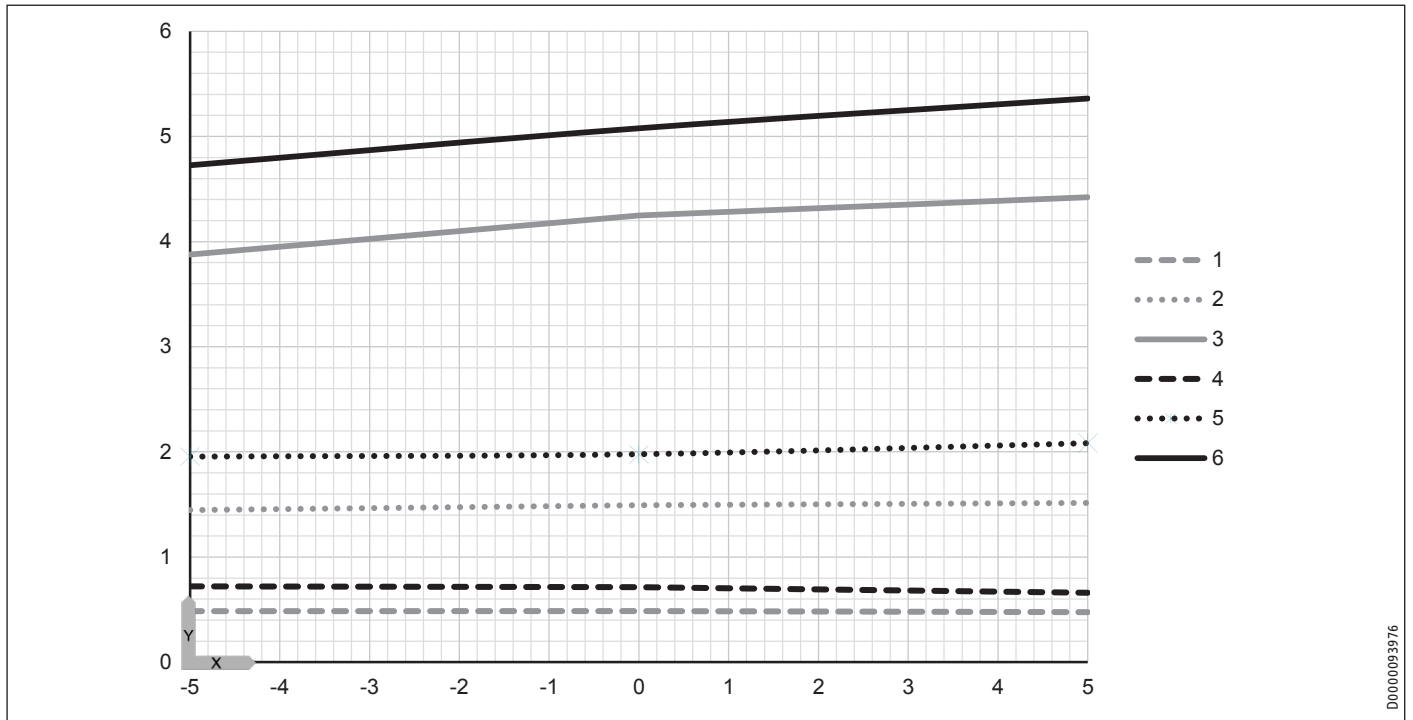


D0000093976

	X Inlet temperature of the WQA medium [°C]			Y Heating output [kW]		
Flow temperature	35 °C			55 °C		
Output [RPS]	1 1 %	2 50 %	3 100 %	4 1 %	5 50 %	6 100 %

# INSTALLATION Specification

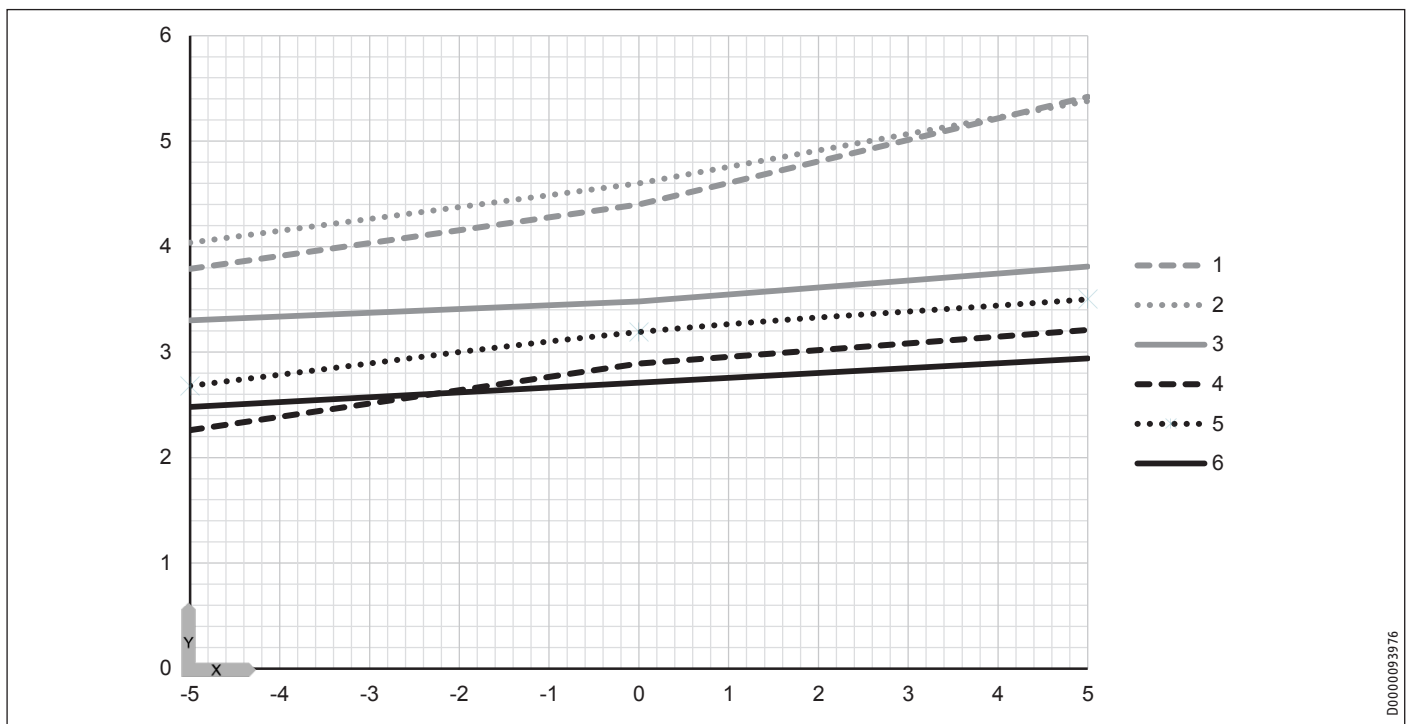
## Power consumption



D0000093976

	X Inlet temperature of the WQA medium [°C]			Y Power consumption [kW]		
Flow temperature	35 °C			55 °C		
Output [RPS]	1 1 %	2 50 %	3 100 %	4 1 %	5 50 %	6 100 %

## Coefficient of performance (COP)



D0000093976

	X Inlet temperature of the WQA medium [°C]			Y Coefficient of performance e [-]		
Flow temperature	35 °C			55 °C		
Output [RPS]	1 1 %	2 50 %	3 100 %	4 1 %	5 50 %	6 100 %

# INSTALLATION Specification

## 16.4 Data table

### 16.4.1 WPE-I HW 230 Premium

Output details apply to new appliances with clean heat exchangers.

The power consumption figures for the integral auxiliary drives are maximum values and may vary subject to operating point.

The power consumption of the integral auxiliary drives is included in the output details of the heat pump (to EN 14511).

		WPE-I 04 HW 230 Premium	WPE-I 06 HW 230 Premium	WPE-I 08 HW 230 Premium	WPE-I 12 HW 230 Premium	WPE-I 15 HW 230 Premium
		202614	238618	238619	202478	202479
<b>Heating output</b>						
Heating output at B0/W35 (EN 14511)	kW	1.96	2.37	2.78	4.19	5.18
Heating output at B0/W35 (min./max.)	kW	1.04 - 4.19	1.04 - 6.57	1.04 - 7.64	2.14 - 12.66	2.14 - 14.78
Heating output at B0/W55 (EN 14511)	kW	1.28	2.01	2.42	4.2	4.72
<b>Power consumption</b>						
Power consumption at B0/W35 (EN 14511)	kW	0.43	0.45	0.6	0.84	1.07
Power consumption at B0/W55 (EN 14511)	kW	0.47	0.69	0.79	1.34	1.48
Power consumption, emergency/booster heater	kW	5.8	5.8	5.8	5.8	5.8
Max. power consumption, circulation pump on the heating side	W	45	45	45	76	76
Max. power consumption, circulation pump on the source side	W	140	140	140	140	140
<b>Coefficients of performance</b>						
SCOP (EN 14825)		5.07	5.2	5.12	5.59	5.44
Coefficient of performance at B0/W35 (EN 14511)		4.6	4.6	4.67	5.01	4.86
Coefficient of performance at B0/W55 (EN 14511)		2.73	2.91	3.07	3.13	3.18
<b>Sound emissions</b>						
Sound power level (EN 12102)	dB(A)	43 - 44	43 - 48	45 - 48	48 - 49	44 - 49
<b>Application limits</b>						
Permissible operating pressure, cylinder	MPa	1	1	1	1	1
Min. application limit on the heating side	°C	15	15	15	15	15
Max. application limit on the heating side	°C	75	75	75	75	75
Min. application limit, heat source	°C	-5	-5	-5	-5	-5
Max. application limit, heat source	°C	20	20	20	20	20
Shutdown pressure, brine pressure switch (positive pressure)	MPa	0.7	0.7	0.7	0.7	0.7
<b>Hydraulic data</b>						
Cylinder capacity	l	175	175	175	162	162
Surface area, indirect coil	m <sup>2</sup>	2.1	2.1	2.1	3.5	3.5
<b>Energy data</b>						
Energy efficiency class		A+++/A+++	A+++/A+++	A+++/A+++	A+++/A+++	A+++/A+++
Energy efficiency class for DHW heating with load profile XL		A	A	A	A	A
Standby energy consumption/24 h at 65 °C	kWh	1.9	1.9	1.9	1.9	1.9
<b>Electrical data</b>						
Starting current (with/without starting current limiter)	A	<25	<25	<25	<25	<25
Emergency/booster heater fuse protection	A	2 x B 16	2 x B 16	2 x B 16	2 x B 16	2 x B 16
Control unit fuse protection	A	1 x B 16	1 x B 16	1 x B 16	1 x B 16	1 x B 16
Compressor fuse protection	A	1 x B 16	1 x B 16	1 x B 16	1 x B 25	1 x B 25
Rated voltage, emergency/booster heater	V	230	230	230	230	230
Rated voltage, control unit	V	230	230	230	230	230
Rated voltage, compressor	V	230	230	230	230	230
Frequency	Hz	50	50	50	50	50
Emergency/booster heater phases		2/N/PE	1/N/PE	2/N/PE	2/N/PE	2/N/PE
Control unit phases		1/N/PE	1/N/PE	1/N/PE	1/N/PE	1/N/PE
Compressor phases		1/N/PE	1/N/PE	1/N/PE	1/N/PE	1/N/PE
Max. operating current	A	8.36	13.01	15.09	24.32	24.48
<b>Versions</b>						
Refrigerant		R454C	R454C	R454C	R454C	R454C
Refrigerant charge	kg	2.2	2.2	2.2	3.1	3.1
Global warming potential of the refrigerant (GWP100)		148	148	148	148	148
CO <sub>2</sub> equivalent (CO <sub>2</sub> e)	t	0.32	0.32	0.32	0.45	0.45
Circulation pump type on the heating side		Yonos PARA 25/7.0	Yonos PARA 25/7.0	Yonos PARA 25/7.0	Yonos PARA 25/7.5	Yonos PARA 25/7.5
Circulation pump type, source side		Grundfos UPML	Grundfos UPML	Grundfos UPML	Grundfos UPML	Grundfos UPML
IP rating		IP20	IP20	IP20	IP20	IP20



# INSTALLATION

## Specification

		WPE-I 04 HW 230 Premium	WPE-I 06 HW 230 Premium	WPE-I 08 HW 230 Premium	WPE-I 12 HW 230 Premium	WPE-I 15 HW 230 Premium
<b>Dimensions</b>						
Height	mm	1937	1937	1937	1937	1937
Width	mm	600	600	600	600	600
Depth	mm	703	703	703	703	703
<b>Weights</b>						
Weight	kg	265	265	265	275	275
<b>Heating water quality requirements</b>						
Water hardness	°dH	≤3	≤3	≤3	≤3	≤3
pH value (with aluminium fittings)		8.0 - 8.5	8.0 - 8.5	8.0 - 8.5	8.0 - 8.5	8.0 - 8.5
pH value (without aluminium fittings)		8.0 - 10.0	8.0 - 10.0	8.0 - 10.0	8.0 - 10.0	8.0 - 10.0
Chloride	mg/l	<30	<30	<30	<30	<30
Conductivity (desalination)	µS/cm	20-100	20-100	20-100	20-100	20-100
Conductivity (softening)	µS/cm	<1000	<1000	<1000	<1000	<1000
Oxygen 8-12 weeks after filling (desalination)	mg/l	<0.1	<0.1	<0.1	<0.1	<0.1
Oxygen 8-12 weeks after filling (softening)	mg/l	<0.02	<0.02	<0.02	<0.02	<0.02
<b>Heat transfer medium requirements on the heat source side</b>						
Ethylene glycol concentration, geothermal collector	Vol.-%	33	33	33	33	33
Ethylene glycol concentration, geothermal probe	Vol.-%	25	25	25	25	25
<b>Values</b>						
Available external pressure differential, heating system	hPa	710	660	620	610	500
Available external pressure differential, heat source	hPa	1020	940	830	710	520
Min. heating flow rate	m <sup>3</sup> /h	0.3	0.3	0.3	0.3	0.3
Flow rate on heat source side	m <sup>3</sup> /h	0.5	0.6	0.68	1.08	1.31
Internal volume on the heating side	l	19.5	19.5	19.5	25.6	25.6
Internal volume on the source side	l	2.5	2.5	2.5	3.9	3.9
Permissible operating pressure, heating circuit	MPa	0.3	0.3	0.3	0.3	0.3

Conversion: 1 m<sup>3</sup>/h = 16.67 l/min

### Further details

		WPE-I 04 HW 230 Pre- mium	WPE-I 06 HW 230 Pre- mium	WPE-I 08 HW 230 Pre- mium	WPE-I 12 HW 230 Pre- mium	WPE-I 15 HW 230 Pre- mium
		202614	238618	238619	202478	202479
Maximum altitude for installation	m	2000	2000	2000	2000	2000

# INSTALLATION Specification

## 16.4.2 WPE-I HKW 230 Premium

Output details apply to new appliances with clean heat exchangers.

The power consumption figures for the integral auxiliary drives are maximum values and may vary subject to operating point.

The power consumption of the integral auxiliary drives is included in the output details of the heat pump (to EN 14511).

		WPE-I 04 HKW 230 Premium	WPE-I 06 HKW 230 Premium	WPE-I 08 HKW 230 Premium	WPE-I 12 HKW 230 Premium	WPE-I 15 HKW 230 Premium
		202616	238620	238621	202480	202481
<b>Heating output</b>						
Heating output at B0/W35 (EN 14511)	kW	1.96	2.37	2.78	4.19	5.18
Heating output at B0/W35 (min./max.)	kW	1.04 - 4.19	1.04 - 6.57	1.04 - 7.64	2.14 - 12.66	2.14 - 14.78
Heating output at B0/W55 (EN 14511)	kW	1.28	2.01	2.42	4.2	4.72
Cooling capacity at B15/W23	kW	2.5	3	4	6	8
<b>Power consumption</b>						
Power consumption at B0/W35 (EN 14511)	kW	0.43	0.45	0.6	0.84	1.07
Power consumption at B0/W55 (EN 14511)	kW	0.47	0.69	0.79	1.34	1.48
Power consumption, emergency/booster heater	kW	5.8	5.8	5.8	5.8	5.8
Max. power consumption, circulation pump on the heating side	W	45	45	45	76	76
Max. power consumption, circulation pump on the source side	W	140	140	140	140	140
<b>Coefficients of performance</b>						
SCOP (EN 14825)		5.07	5.2	5.12	5.59	5.44
Coefficient of performance at B0/W35 (EN 14511)		4.6	4.6	4.67	5.01	4.86
Coefficient of performance at B0/W55 (EN 14511)		2.73	2.91	3.07	3.13	3.18
<b>Sound emissions</b>						
Sound power level (EN 12102)	dB(A)	43 - 44	43 - 48	45 - 48	48 - 49	44 - 49
<b>Application limits</b>						
Permissible operating pressure, cylinder	MPa	1	1	1	1	1
Min. application limit on the heating side	°C	15	15	15	15	15
Max. application limit on the heating side	°C	75	75	75	75	75
Min. application limit, heat source	°C	-5	-5	-5	-5	-5
Max. application limit, heat source	°C	20	20	20	20	20
Shutdown pressure, brine pressure switch (positive pressure)	MPa	0.7	0.7	0.7	0.7	0.7
<b>Hydraulic data</b>						
Cylinder capacity	l	175	175	175	162	162
Surface area, indirect coil	m <sup>2</sup>	2.1	2.1	2.1	3.5	3.5
<b>Energy data</b>						
Energy efficiency class		A+++ / A+++	A+++ / A+++	A+++ / A+++	A+++ / A+++	A+++ / A+++
Energy efficiency class for DHW heating with load profile XL		A	A	A	A	A
Standby energy consumption/24 h at 65 °C	kWh	1.9	1.9	1.9	1.9	1.9
<b>Electrical data</b>						
Starting current (with/without starting current limiter)	A	<25	<25	<25	<25	<25
Emergency/booster heater fuse protection	A	2 x B 16	2 x B 16	2 x B 16	2 x B 16	2 x B 16
Control unit fuse protection	A	1 x B 16	1 x B 16	1 x B 16	1 x B 16	1 x B 16
Compressor fuse protection	A	1 x B 16	1 x B 16	1 x B 16	1 x B 25	1 x B 25
Rated voltage, emergency/booster heater	V	230	230	230	230	230
Rated voltage, control unit	V	230	230	230	230	230
Rated voltage, compressor	V	230	230	230	230	230
Frequency	Hz	50	50	50	50	50
Emergency/booster heater phases		1/N/PE	1/N/PE	1/N/PE	1/N/PE	1/N/PE
Control unit phases		1/N/PE	1/N/PE	1/N/PE	1/N/PE	1/N/PE
Compressor phases		1/N/PE	1/N/PE	1/N/PE	1/N/PE	1/N/PE
Max. operating current	A	8.36	13.01	15.09	24.32	24.48
<b>Versions</b>						
Refrigerant		R454C	R454C	R454C	R454C	R454C
Refrigerant charge	kg	2.2	2.2	2.2	3.1	3.1
Global warming potential of the refrigerant (GWP100)		148	148	148	148	148
CO <sub>2</sub> equivalent (CO <sub>2</sub> e)	t	0.32	0.32	0.32	0.45	0.45
Circulation pump type on the heating side		Yonos PARA 25/7.0	Yonos PARA 25/7.0	Yonos PARA 25/7.0	Yonos PARA 25/7.5	Yonos PARA 25/7.5
Circulation pump type, source side		Grundfos UPML	Grundfos UPML	Grundfos UPML	Grundfos UPML	Grundfos UPML
IP rating		IP20	IP20	IP20	IP20	IP20

# INSTALLATION

## Specification

		WPE-I 04 HKW 230 Premium	WPE-I 06 HKW 230 Premium	WPE-I 08 HKW 230 Premium	WPE-I 12 HKW 230 Premium	WPE-I 15 HKW 230 Premium
<b>Dimensions</b>						
Height	mm	1937	1937	1937	1937	1937
Width	mm	600	600	600	600	600
Depth	mm	703	703	703	703	703
<b>Weights</b>						
Weight	kg	265	265	265	275	275
<b>Heating water quality requirements</b>						
Water hardness	°dH	≤3	≤3	≤3	≤3	≤3
pH value (with aluminium fittings)		8.0-8.5	8.0-8.5	8.0-8.5	8.0-8.5	8.0-8.5
pH value (without aluminium fittings)		8.0-10.0	8.0-10.0	8.0-10.0	8.0-10.0	8.0-10.0
Chloride	mg/l	<30	<30	<30	<30	<30
Conductivity (desalination)	µS/cm	20-100	20-100	20-100	20-100	20-100
Conductivity (softening)	µS/cm	<1000	<1000	<1000	<1000	<1000
Oxygen 8-12 weeks after filling (desalination)	mg/l	<1.0	<1.0	<1.0	<1.0	<1.0
Oxygen 8-12 weeks after filling (softening)	mg/l	<0.02	<0.02	<0.02	<0.02	<0.02
<b>Heat transfer medium requirements on the heat source side</b>						
Ethylene glycol concentration, geothermal collector	Vol.-%	33	33	33	33	33
Ethylene glycol concentration, geothermal probe	Vol.-%	25	25	25	25	25
<b>Values</b>						
Available external pressure differential, heating system	hPa	710	660	620	610	500
Available external pressure differential, heat source	hPa	1020	940	830	710	520
Min. heating flow rate	m <sup>3</sup> /h	0.3	0.3	0.3	0.3	0.3
Flow rate on heat source side	m <sup>3</sup> /h	0.5	0.6	0.68	1.08	1.31
Internal volume on the heating side	l	19.5	19.5	19.5	25.6	25.6
Internal volume on the source side	l	2.5	2.5	2.5	3.9	3.9
Permissible operating pressure, heating circuit	MPa	0.3	0.3	0.3	0.3	0.3

Conversion: 1 m<sup>3</sup>/h = 16.67 l/min

### Further details

		WPE-I 04 HKW 230 Premium	WPE-I 06 HKW 230 Premium	WPE-I 08 HKW 230 Premium	WPE-I 12 HKW 230 Premium	WPE-I 15 HKW 230 Premium
		202616	238620	238621	202480	202481
Maximum altitude for installation	m	2000	2000	2000	2000	2000

### **Guarantee**

The guarantee conditions of our German companies do not apply to appliances acquired outside of Germany. In countries where our subsidiaries sell our products a guarantee can only be issued by those subsidiaries. Such guarantee is only granted if the subsidiary has issued its own terms of guarantee. No other guarantee will be granted.

We shall not provide any guarantee for appliances acquired in countries where we have no subsidiary to sell our products. This will not affect warranties issued by any importers.

### **Environment and recycling**

We would ask you to help protect the environment. After use, dispose of the various materials in accordance with national regulations.

---

## NOTES

---

---

## NOTES

---

---

## NOTES

---

## Deutschland

STIEBEL ELTRON GmbH & Co. KG  
Dr.-Stiebel-Straße 33 | 37603 Holzminden  
Tel. 05531 702-0 | Fax 05531 702-480  
info@stiebel-eltron.de  
www.stiebel-eltron.de

## Verkauf

Tel. 05531 702-110 | Fax 05531 702-95108 | info-center@stiebel-eltron.de

## Kundendienst

Tel. 05531 702-111 | Fax 05531 702-95890 | kundendienst@stiebel-eltron.de

## Ersatzteilverkauf

Tel. 05531 702-120 | Fax 05531 702-95335 | ersatzteile@stiebel-eltron.de

## Australia

STIEBEL ELTRON Australia Pty. Ltd.  
294 Salmon Street | Port Melbourne VIC 3207  
Tel. 03 9645-1833 | Fax 03 9644-5091  
info@stiebel-eltron.com.au  
www.stiebel-eltron.com.au

## Austria

STIEBEL ELTRON Ges.m.b.H.  
Gewerbegebiet Neubau-Nord  
Margaritenstraße 4 A | 4063 Hörsching  
Tel. 07221 74600-0 | Fax 07221 74600-42  
info@stiebel-eltron.at  
www.stiebel-eltron.at

## Belgium

STIEBEL ELTRON bvba/sprl  
't Hofveld 6 - D1 | 1702 Groot-Bijgaarden  
Tel. 02 42322-22 | Fax 02 42322-12  
info@stiebel-eltron.be  
www.stiebel-eltron.be

## China

STIEBEL ELTRON (Tianjin) Electric Appliance  
Co., Ltd.  
Plant C3, XEDA International Industry City  
Xiqing Economic Development Area  
300085 Tianjin  
Tel. 022 8396 2077 | Fax 022 8396 2075  
info@stiebel-eltron.cn  
www.stiebel-eltron.cn

## Czech Republic

STIEBEL ELTRON spol. s r.o.  
Dopraváků 749/3 | 184 00 Praha 8  
Tel. 251116-111 | Fax 235512-122  
info@stiebel-eltron.cz  
www.stiebel-eltron.cz

## Finland

STIEBEL ELTRON OY  
Kapinakuja 1 | 04600 Mäntsälä  
Tel. 020 720-9988  
info@stiebel-eltron.fi  
www.stiebel-eltron.fi

## France

STIEBEL ELTRON SAS  
7-9, rue des Selliers  
B.P 85107 | 57073 Metz-Cédex 3  
Tel. 0387 7438-88 | Fax 0387 7468-26  
info@stiebel-eltron.fr  
www.stiebel-eltron.fr

## Hungary

STIEBEL ELTRON Kft.  
Gyár u. 2 | 2040 Budaörs  
Tel. 01 250-6055 | Fax 01 368-8097  
info@stiebel-eltron.hu  
www.stiebel-eltron.hu

## Japan

NIHON STIEBEL Co. Ltd.  
Kowa Kawasaki Nishiguchi Building 8F  
66-2 Horikawa-Cho  
Saiwai-Ku | 212-0013 Kawasaki  
Tel. 044 540-3200 | Fax 044 540-3210  
info@nihonstiebel.co.jp  
www.nihonstiebel.co.jp

## Netherlands

STIEBEL ELTRON Nederland B.V.  
Daviottenweg 36 | 5222 BH 's-Hertogenbosch  
Tel. 073 623-0000 | Fax 073 623-1141  
info@stiebel-eltron.nl  
www.stiebel-eltron.nl

## Poland

STIEBEL ELTRON Polska Sp. z O.O.  
ul. Działkowa 2 | 02-234 Warszawa  
Tel. 022 60920-30 | Fax 022 60920-29  
biuro@stiebel-eltron.pl  
www.stiebel-eltron.pl

## Russia

STIEBEL ELTRON LLC RUSSIA  
Urzhumskaya street 4,  
building 2 | 129343 Moscow  
Tel. 0495 7753889 | Fax 0495 7753887  
info@stiebel-eltron.ru  
www.stiebel-eltron.ru

## Slovakia

STIEBEL ELTRON Slovakia, s.r.o.  
Hlavná 1 | 058 01 Poprad  
Tel. 052 7127-125 | Fax 052 7127-148  
info@stiebel-eltron.sk  
www.stiebel-eltron.sk

## Switzerland

STIEBEL ELTRON AG  
Industrie West  
Gass 8 | 5242 Lupfig  
Tel. 056 4640-500 | Fax 056 4640-501  
info@stiebel-eltron.ch  
www.stiebel-eltron.ch

## Thailand

STIEBEL ELTRON Asia Ltd.  
469 Moo 2 Tambol Klong-Jik  
Amphur Bangpa-In | 13160 Ayutthaya  
Tel. 035 220088 | Fax 035 221188  
info@stiebel-eltronasia.com  
www.stiebel-eltronasia.com

## United Kingdom and Ireland

STIEBEL ELTRON UK Ltd.  
Unit 12 Stadium Court  
Stadium Road | CH62 3RP Bromborough  
Tel. 0151 346-2300 | Fax 0151 334-2913  
info@stiebel-eltron.co.uk  
www.stiebel-eltron.co.uk

## United States of America

STIEBEL ELTRON, Inc.  
17 West Street | 01088 West Hatfield MA  
Tel. 0413 247-3380 | Fax 0413 247-3369  
info@stiebel-eltron-usa.com  
www.stiebel-eltron-usa.com

**STIEBEL ELTRON**



Irrtum und technische Änderungen vorbehalten! | Subject to errors and technical changes! | Sous réserve d'erreurs et de modifications techniques! | Onder voorbehoud van vergissingen en technische wijzigingen! | Salvo error o modificación técnica! | Excepto erro ou alteração técnica | Zastrzeżone zmiany techniczne i ewentualne błędy | Omyly a technické změny jsou vyhrazeny! | A muszáki változtatások és tévedések jogát fenntartjuk! | Отсутствие ошибок не гарантируется. Возможны технические изменения. | Chyby a technické zmeny sú vyhradené! | Stand 9535