

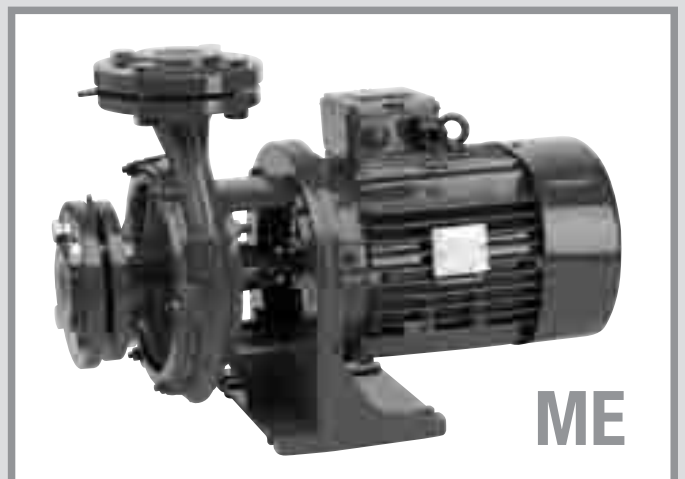
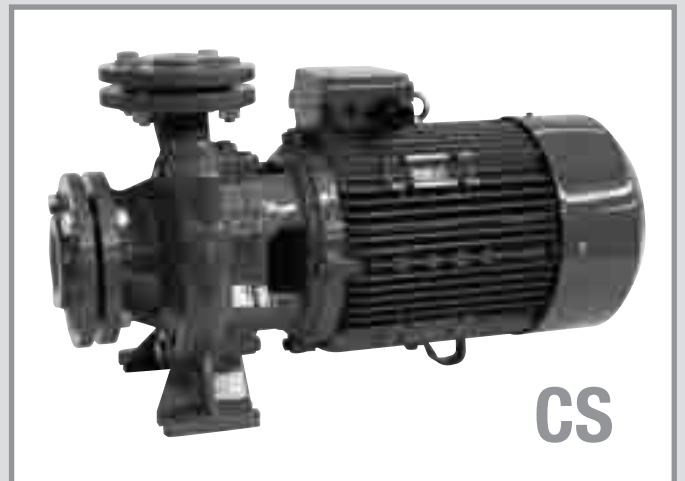


**Monoblock centrifugal
pumps**

**Elettropompe centrifughe
monoblocco**

**МОНОБЛОЧНЫЕ
ЦЕНТРОБЕЖНЫЕ
НАСОСЫ**

**CS
ME**



**CE
IE 2**

Ⓒ GB Operating instructions

① Libretto istruzioni

Ⓒ RUS Инструкция по эксплуатации

INSTRUCTIONS FOR THE INSTALLATION AND USE OF ELECTROPUMPS

1. General

This manual is meant to provide the user with the essential information required for installing, using and servicing the pumps.

A fault-finding chart indicating possible cause and remedy for every problem which might occur, is included.

2. Technical characteristics and materials

The electric pumps are the centrifugal, radial, close-coupled type, with single impeller.

- Cast iron pump-body and support, stainless steel threaded counter flanges.
- Stainless steel motor shaft; bronze impeller for the high head range; cast iron impeller for the low head range.
- Mechanical seal housing standardized to DIN 24960. The mechanical seal is lubricated by the pumped liquid.
- All the electric pumps come fitted with threaded counter-flanges.
- Amply dimensioned ball-bearings pre-packed with special grease for life.
- 2 pole electric motors of enclosed type, IP 55, with external ventilation; insulated according to Class F.
- Standard supply voltages:
50 Hz=230/400 V
up to 7,5 kW - 400/700 V
for higher power ratings.
60 Hz=230/400 V for all powers.
Standard voltage V 230 - 50 Hz.
On request, special voltages available.
- In the standard versions the electric pumps are suitable for fluid temperatures up to 60°C.
- Maximum working pressure: 10 Bar.

3. Applications

The electric pumps are suitable for application in the civil, agricultural and industrial fields, to pump chemically or mechanically non aggressive liquids. Any suspended solid particles should not exceed 2% by weight. The following are but a few typical applications: water supply systems, irrigation schemes, pressure tank feed, pressure boosting, air conditioning system, heating systems.

4. Installation

The pumps may also be located outdoor, provided they are suitable protected by a roofing; they can also be installed inclined or vertically.

Warning:

For operation in hot damp environments, the pump should not be installed orientated to different directions than normal, to avoid condensation water building up inside the motor.

Avoid vertical position with motor facing down ward (see installation diagram - Fig. 5).

Being generously dimensioned, these pumps can be supported by the pipework of the system to which they are applied, even though it would be preferable - where possible - to secure them firmly to a bedplated by means of four holding-down bolts fitted through the holes provided in the pump feet. Firm mounting will aid to damp down vibrations, if any.

A satisfactory installation should conform to the following indications:

The suction pipe, the inside diameter of which should never be smaller than the pump inlet, should be dimensioned consistently with the system and the pumped liquid. Bear in mind that the maximum theoretical suction lift not only is reduced by the NPSHr required by the pump, which is a peculiar characteristic of the pump itself, but is also reduced by the height above sea level of the installation and the friction losses occurring in the suction line.

Therefore, in order to avoid cavitation, which would generate noise, performance drop and vibrations that might exert undue mechanical stress on the pump, the following relation should always be observed:

$$h_p + h_z \geq (\text{NPSHr} + 0.5) + h_f + h_{pv}$$

where:

h_p

is the absolute pressure acting on the free surface of the liquid in the suction reservoir, expressed in meters of liquid. h_p is the quotient between the barometric pressure and the specific weight of the liquid.

h_z

is the difference in level between the pump axis and the free surface of the liquid in the suction reservoir expressed in metres. h_z is negative when the liquid level is below the pump axis.

h_f

is the head loss occurring within the suction line and the fittings fitted to it, such as connectors, foot valve, sluice valves, bends, etc.

h_{pv}

is the vapour pressure of the liquid at the operating temperature, expressed in metres of liquid. h_{pv} is the quotient between the vapour pressure and the specific weight of the liquid.

0.5

is a margin of safety.

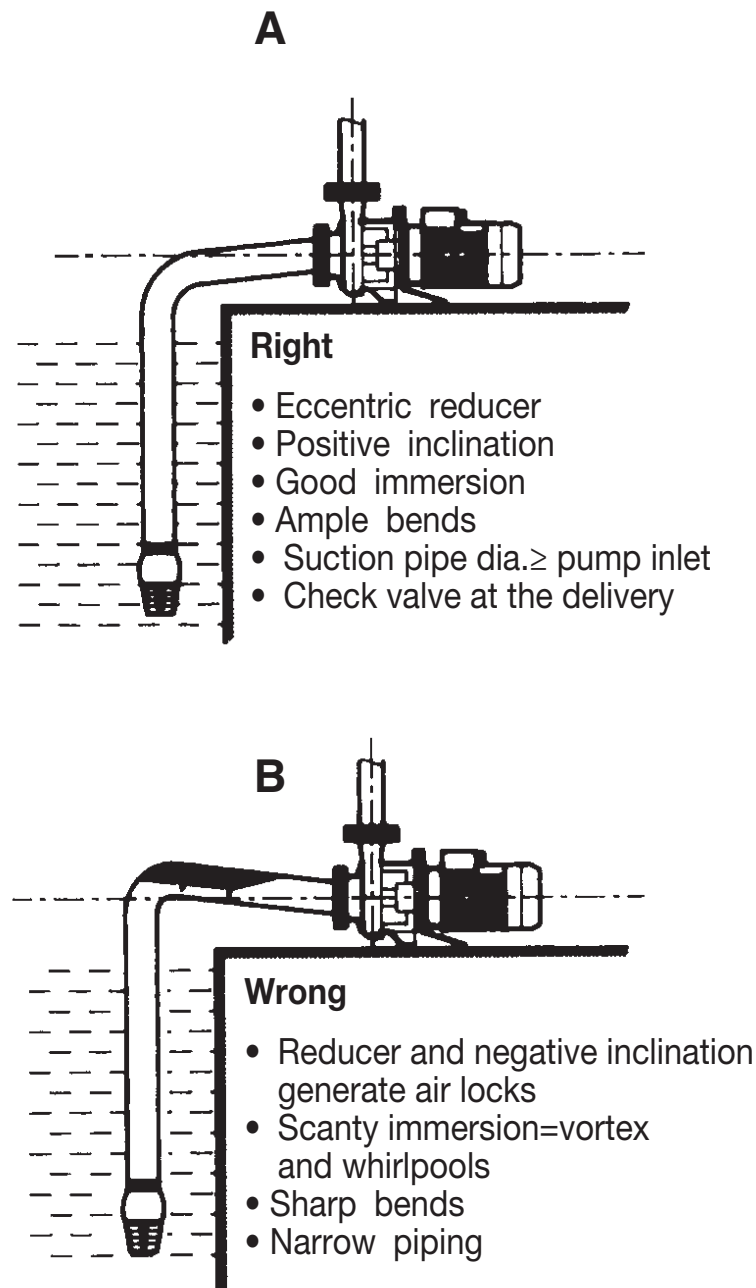
From the above relation it can be gathered that the maximum permissible suction lift in an installation depends on the value of the atmospheric pressure (i.e. the height above sea level of the installation) and the liquid temperature. To facilitate the user's task, tables are provided which - the datum being water at 4°C and at sea level - indicate the decrease in the hydraulic pressure head as a function of the height above sea level and the suction losses as a function of the temperature.

Water temperature (°C)	Suction loss (m)
20	0,2
40	0,7
60	2,0
80	5,0
90	7,4
110	15,4
120	21,5

Height above sea level (m)	Suction losses in m.
500	0,55
1000	1,1
1500	1,65
2000	2,2
2500	2,75
3000	3,3

The head losses can be read from the diagram shown in our catalogue, and in order to reduce them to a minimum - mainly where suction is remarkable (over 4-5 metres) or when operating at the highest flow rates - it is advisable to use a section pipe larger than the pump inlet. In all cases it is advisable that the pump be installed as close as possible to the source of the pumped liquid.

fig. 1 - Pump installation



INSTRUCTIONS FOR THE INSTALLATION AND USE OF ELECTROPUMPS

The suction line should be slightly inclined up towards the pumps and any reducers should be eccentric (see fig. 1) to prevent air locks.

In any such installations where the operating conditions require that the pump delivery be restricted or modulated, we recommend that a relief valve be fitted to the delivery pipe, or a re-cycle by-pass put between the delivery and the supply reservoir.

We recommend that a non-return valve be fitted to the delivery pipe close to the pump to protect it from any dynamic stresses caused by water hammer, and a foot valve be put at the end of the suction pipe to facilitate priming.

4.1 Wiring up motor

Make sure that the specifications written on the motor plate are correct for the electrical supply line. Remove the terminal box cover, inside which is illustrated the wiring diagram.

Caution: the unit must be grounded before you make any other connections.

Single phase motors

Wire up the motor as illustrated inside the terminal box cover.

The connections are pre-arranged for the correct direction of rotation - which is anti-clockwise when the pump is viewed from the pump inlet.

Three phase motors

The thermal overload protection is to be provided by the user, with motor protector complete with remote control switch, thermal relay and fuses installed upstream.

The overload relay must be set to the full rated load value (I_n) written on the motor plate. The thermal relay may be set to a current value slightly lower than the full load value when electric pump is definitely underloaded, but the thermal overload protection must not be set to current values higher than the full load values. Any operation at current values slightly higher than the full load values (max. $1.1 I_n$) may be tolerated, provided they are only due to occasional sudden changes in the supply voltage.

We also recommend that an omnipolar switch be installed upstream of the motor protector in order to fully insulate the electric pump from the electric supply line. Where two pumps are installed (one being a stand-by unit) a commutator should be provided between the two pumps in order to equalize the wear rate of both pumps.

4.2 Checking the direction of rotation of the electric pumps with three phase motors

The direction of rotation may be checked before the pump is fitted with the liquid to be pumped, provided it is run for very brief intervals only.

The pump must not be run before it is filled with liquid. Continuous dry running would damage the mechanical seal beyond repair.

If the direction of rotation is not anti-clockwise, as viewing the pumps from the pump inlet, then interchange two supply leads.

4.3 Priming

Priming is accomplished by filling the pump and the suction line with the liquid to be pumped. To fill the pump, remove the filling plug and proceed as follows:

- Pump with positive suction head: open the sluice valve at the suction and let the liquid flow in until it brims over the filling plug.
N.B. The function of the sluice valve at the suction is to intercept the liquid flow and not to control the flow rate as this is only accomplished by a sluice valve fitted to the delivery.
- Pump with negative suction head, fitted with foot valve: fill the pump and the suction line through the filling plugs. This operation may be shortened by filling the pump through the pump outlet. During the filling stage take care to let all air escape please note that filling is completed correctly only after the water level at the filling plug is stable and all air bubbles have disappeared.
- Pump with negative suction head, without foot valve. In this case filling is a bit more complicated as a pressurized liquid or air source would be required, along with an ejector or a vacuum pump. In such instance, a perfectly watertight sluice valve must be fitted to the delivery.

As fitting is completed, start the pump and check that both pressure and flow rate are constant; if that is not the case, stop the pump and repeat the entire operation.

5. Running

If all the above operations-installation, filling, etc., - are carried out correctly, the pump will offer quiet running.

- With liquid temperatures higher than the test temperature, the manometric delivery head will decrease in relation to the specific weight of the liquid.
- When handling viscous liquids, both flow rate and head would decrease, while the power input would increase.

In such instance the maximum rated flow rate should be reduced, to avoid the overload protection tripping too often.

- The pump should not be subjected to more than 20 startings per hour, to avoid excessive thermal stress on the motor.
Where a star-delta starter is used, the above number of startings per hour may be slightly increased.
- The pump should not run for long periods with closed sluice valve at the delivery. Where this is inevitable, or in all such instances where the delivery rate is to be modulated, proceed as directed under the section "installation".
- All pumps which are installed in places unprotected from frost must be emptied whenever they remain inoperative, and flushed inside with water emulsified with a corrosion inhibitor.

6. Maintenance

The electric pumps do not require any scheduled maintenance, as the motor bearings are pre-packed for life and the mechanical seals are lubricated by the pumped liquid.

7. Connection

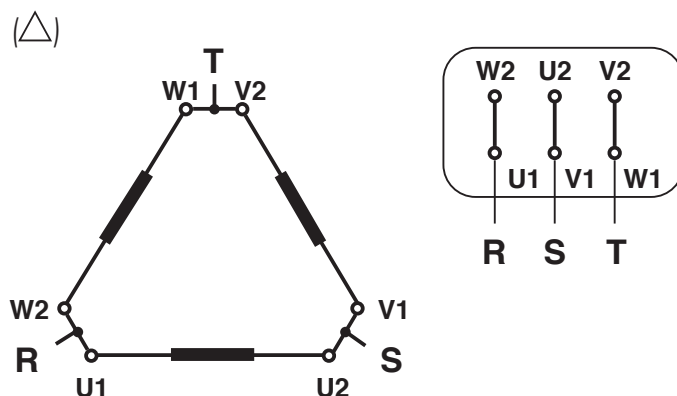
The six terminal arrangement with delta (Δ) or star (Υ) connection allows for the motors.

230 V (Δ) 400 V (Υ)

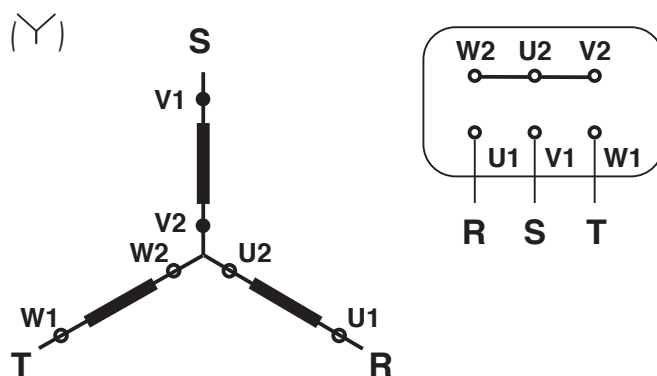
240 V (Δ) 415 V (Υ)

400 V (Δ) 700 V (Υ)

Delta connection



Star connection



INSTRUCTIONS FOR THE INSTALLATION AND USE OF ELECTROPUMPS

8. Fault finding chart: problems, possible causes and remedies

Problem	How to check	Remedy
1 Motor does not start. No noises or vibrations occur	A - Make sure that power supply is connected. B - Check for any blown fuses. C - Check for open or dirty contacts in the protection devices.	B - Replace fuse with new one. Note: if the new fuse blows immediately after, the motor or the cable are shorted, either directly or the earth (faulty insulation). C - Clean the part involved or replace it with a new one.
2 Motor does not start, but generates noises and vibrations	A - Make sure that motor is wired up as directed in the diagram inside the terminal box cover. B - The shaft is bound. Find out if due to loose fan or mechanical obstructions on the motor or the pump. C - The sliding surface of mechanical seal is stuck due to prolonged stoppage.	A - Correct any wrong connections. B - Remove cause of obstruction. C - Correct seal by turning the shaft - 1/4 turn with a pipe wrench.
3 Pump does not provide delivery	A - Pump has not been filled. B - Pump has unprimed due to leaks in the suction line. C - With 3phase motors check for correct direction of rotation. D - The head required by the plant is higher than that generated by the pump. E - Foot valve clogged. F - Suction lift too high. G - Suction pipe too narrow.	A - Fill the pump. Prime it again. B - Repair leaks. Fill and prime again. C - Interchange two supply leads. D - Replace the pump with a suitable one. E - Clean foot valve. F - See section "installation". G - Replace suction pipe with one having diameter larger by 1/4" or 1/2".
4 Protection trips as machine starts	A - One phase is missing. B - As in 1B. C - As in 1C. D - Motor with faulty insulation; check phase resistance and insulation to ground.	A - Reset the phase B - As in 1B. C - As in 1C. D - Replace stator or the internal earth cable.

8. Fault finding chart: problems, possible causes and remedies

Problem	How to check	Remedy
5 Protection trips too often	<p>A - Ascertain whether the protection device is set to a value lower than the motor full load requirements.</p> <p>B - One phase is missing due to faults in contacts or supply cable.</p> <p>C - Liquid is viscous or its specific weight is much higher than that of water.</p> <p>D - Harsh rubbing occurs between sliding and stationary parts.</p>	<p>A - Correct setting.</p> <p>B - Clean and reset contact or replace supply cable with new one.</p> <p>C - Reduce flow rate slightly by adjusting the delivery sluice valve accordingly. If this is not acceptable, instal a more powerful motor.</p> <p>D - Remove cause of harsh rubbing.</p>
6 Shaft spins with difficulty	<p>A - Check for obstructions in the motor or the pump.</p> <p>B - As in 5D.</p> <p>C - Check bearings for proper conditions.</p>	<p>A - As in 2B.</p> <p>B - As in 5D.</p> <p>C - Replace any faulty bearing.</p>
7 Pump vibrates, runs noisily; flow rate is uneven	<p>A - Pump runs beyond rated capacity.</p> <p>B - Pump or pipework not properly secured.</p> <p>C - As in 3F.</p> <p>D - As in 3G.</p>	<p>A - Reduce flow rate.</p> <p>B - Secure any loose or improperly secured part.</p> <p>C - As in 3F.</p> <p>D - As in 3G.</p>
8 When stopped, the pump runs slightly in reverse direction	<p>A - Leaks or air locks in suction pipe.</p>	<p>A - Correct leaks and read section "installation".</p>
9 In pressure boosting applications the pump starts and stops too often	<p>A - Pressure-switch setting is too limited.</p> <p>B - Leaks in system.</p>	<p>A - Set pressure switch to wider limits.</p> <p>B - Eliminate leaks.</p>
10 In pressure boosting applications, the pump does not stop	<p>A - Max.-pressure setting in pressure switch is too high.</p> <p>B - As in 9B</p>	<p>A - Reduce max-pressure setting to lower value.</p> <p>B - As in 9B.</p>

1. Generalità

Col presente manuale si intende fornire all'utilizzatore le informazioni indispensabili per l'installazione, l'uso e la manutenzione delle pompe. Sono riportate, in caso di malfunzionamenti, delle indicazioni per la ricerca delle cause e dei loro rimedi.

2. Caratteristiche tecniche e materiali

Le elettropompe sono del tipo centrifugo radiale monoblocco ad una girante.

- Corpo pompa e supporto in ghisa G25, controflange in acciaio filettate.
- Albero motore in acciaio inox, girante in bronzo per la serie alta prevalenza, in ghisa per la serie bassa prevalenza.
- Sede della tenuta meccanica normalizzata secondo DIN 24960. Lubrificazione della tenuta mediante riciclo dello stesso liquido pompato dalla mandata della pompa.
- Ciascuna elettropompa è fornita corredata di controflange filettate.
- Cuscinetti a sfere largamente dimensionati, pregrassati a vita con grasso speciale.
- Motori elettrici, a 2 poli, del tipo chiuso, IP55, a ventilazione esterna ed isolamento in classe F.
- Tensioni di alimentazione standard:
A 50 Hz=230/400 V fino a potenza di 7,5 kW - 400/700 V per potenze superiori.
A 60 Hz=230/400 V per tutte le potenze.
Tensioni normali 230 V - 50 Hz.
Altre tensioni diverse a richiesta.
- In versione standard le elettropompe sono idonee a pompare liquidi con temperatura fino a 60°C.
- Pressione massima di funzionamento: 10 Bar.

3. Impieghi

Le elettropompe sono idonee per impieghi nel campo civile, agricolo ed industriale per liquidi chimicamente e meccanicamente non aggressivi.

Il massimo contenuto di sostanze solide in sospensione nel liquido pompato non dovrebbe superare il 2% in peso. Alcune tipiche applicazioni sono: approvvigionamento d'acqua, irrigazioni, alimentazione autoclavi, gruppi di sopraelevazione di pressione, impianti di condizionamento, impianti di riscaldamento.

4. Installazione

Le elettropompe possono essere ubicate anche in ambienti esterni purché protetti da tettoia.

Oltre che sul piano orizzontale possono essere installate sul piano inclinato e verticale.

Avvertenza:

Se l'ambiente in cui l'elettropompa deve operare è particolarmente caldo e umido si sconsiglia di installare l'elettropompa con orientamenti diversi da quello normale per evitare l'accumulo di acqua di condensa all'interno del motore.

È da evitarsi la posizione verticale col motore orientato verso il basso.

Il robusto dimensionamento di queste pompe permette loro di essere supportate dalle tubazioni dell'impianto al quale sono asservite anche se, ove possibile, conviene eseguire un solido ancoraggio tra le zampe e la base di appoggio con quattro viti applicate negli alloggiamenti predisposti sulle zampe stesse. Un solido ancoraggio favorisce l'assorbimento di eventuali vibrazioni.

Una buona installazione deve attenersi alle seguenti indicazioni:

Il tubo aspirante, che non deve mai essere di diametro interno inferiore a quello della bocca d'aspirazione della pompa, dovrà essere dimensionato in funzione dell'impianto e del liquido pompato. Si tenga presente che il dislivello d'aspirazione massimo teorico viene ridotto non solo dal valore dell'NPSHr richiesto dalla pompa, che è una caratteristica peculiare della pompa stessa, ma anche dalla temperatura del liquido, dall'altitudine e dalle perdite di carico nella tubazione di aspirazione.

Per evitare quindi l'insorgere di fenomeni di cavitazione che provocano rumore, precipitazione delle prestazioni e vibrazioni che sollecitano meccanicamente la pompa, occorre che la seguente relazione sia sempre verificata:

$$hp + hz \geq (NPSHr + 0.5) + hf + hpv$$

dove:

hp

è la pressione assoluta che agisce sul pelo libero del liquido nella vasca d'aspirazione espressa in metri di liquido. hp è il quoziente tra la pressione barometrica ed il peso volumico del liquido.

hz

è il dislivello tra l'asse della pompa ed il pelo libero del liquido nella vasca d'aspirazione espresso in metri; hz è negativo quando il livello del liquido è più basso dell'asse della pompa.

hf

è la perdita di carico nella tubazione d'aspirazione e negli accessori di cui essa è corredata quali: raccordi, valvola di fondo, saracinesche, curve, ecc.

h_{pv}

è la pressione di vapore del liquido alla temperatura di esercizio espressa in metri di liquido. h_{pv} è il quoziente tra la tensione di vapore P_v e il peso volumico del liquido.

0.5

è un margine di sicurezza.

Come si può intuire dalla relazione sopra menzionata, la massima altezza di aspirazione possibile per una installazione dipende dal valore della pressione atmosferica (quindi dall'altezza sul livello del mare in cui è installata la pompa) e dalla temperatura del liquido.

Per facilitare l'utilizzatore vengono fornite delle tabelle che danno, con riferimento all'acqua a 4°C e al livello del mare, la diminuzione dell'altezza manometrica in funzione della quota sul livello del mare, e le perdite d'aspirazione in funzione della temperatura.

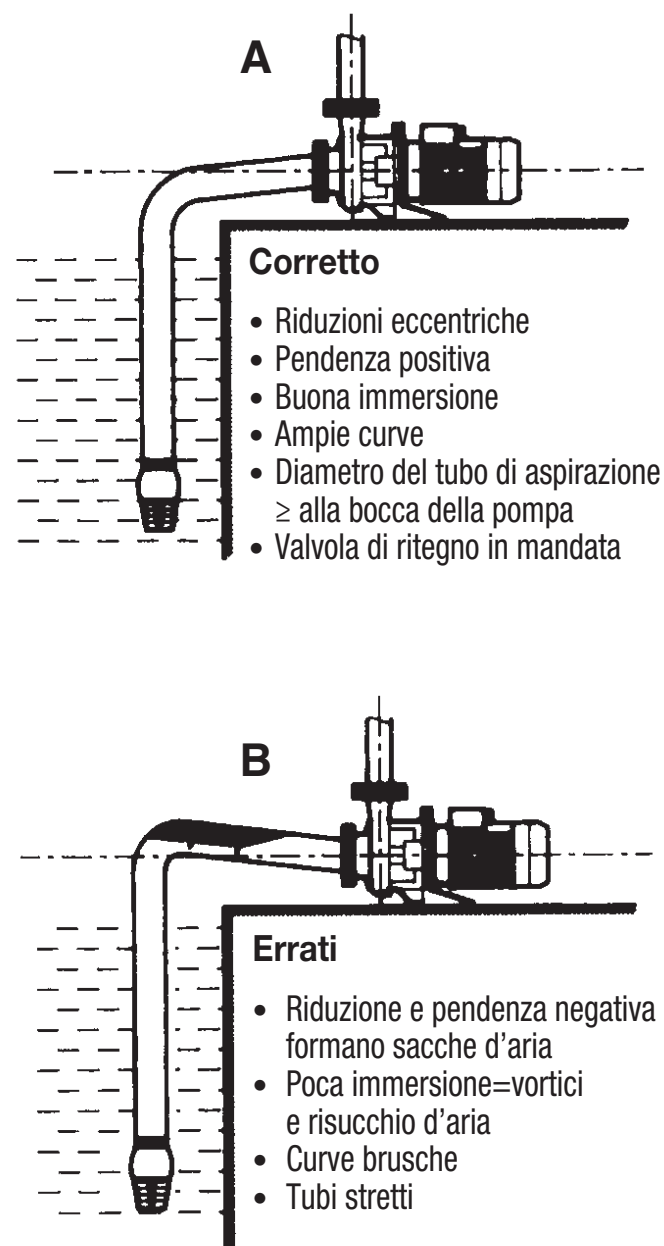
Temperatura acqua (°C)	Perdita di aspirazione (m)
20	0,2
40	0,7
60	2,0
80	5,0
90	7,4
110	15,4
120	21,5

Quota sul livello del mare (m)	Perdite di aspirazione in metri
500	0,55
1000	1,1
1500	1,65
2000	2,2
2500	2,75
3000	3,3

Le perdite di carico sono rilevabili dal diagramma riportato sul catalogo e, allo scopo di ridurre la loro entità al minimo, specialmente nei casi di aspirazione notevoli (oltre i 4-5 m) o nei casi di funzionamento alle portate maggiori, è consigliabile l'impiego di un tubo in aspirazione di diametro maggiore di quello della bocca aspirante della pompa.

È sempre buona norma comunque posizionare la pompa più vicino possibile al liquido da pompare.

fig. 1 - schema installazione



Il tubo di aspirazione dovrà avere una leggera pendenza positiva verso la pompa e le eventuali riduzioni dovranno essere il tipo eccentrico (vedere figura n. 1) per evitare il formarsi di sacche d'aria.

Nelle utilizzazioni della pompa ove la portata in mandata può essere strozzata, o modulata, si raccomanda di inserire sulla tubazione in mandata una valvola di sfogo oppure un by-pass di riciclo tra mandata e serbatoio di alimentazione.

È raccomandato l'uso di una valvola di ritegno sulla tubazione di mandata a ridosso della pompa per proteggerla dalle sollecitazioni dinamiche provocata dai colpi d'ariete dell'impianto, e di una valvola di fondo all'estremità della tubazione d'aspirazione per facilitare l'adescamento.

4.1 Allacciamento elettrico

Assicurarsi che le caratteristiche elettriche riportate sulla targhetta del motore siano conformi a quelle della linea elettrica alla quale il motore dovrà essere collegato. Rimuovere il coperchio coprimorsettiera sul cui interno sono illustrati i collegamenti da eseguirsi. Attenzione: eseguire il collegamento di terra prima di qualsiasi altro collegamento.

Motori monofase

Eseguire i collegamenti come indicato nell'interno del coprimorsettiera. Collegamenti sono predisposti per il corretto senso di rotazione che è antiorario guardando la pompa dal lato della bocca d'aspirazione.

Motori trifase

La protezione contro i sovraccarichi deve essere eseguita dall'utente con salvamotore completo di teleruttore, relè termico e fusibili a monte.

Il relè di sovraccarico deve essere tarato al valore della corrente a pieno carico del motore (I_n) riportato sulla targhetta. È permesso di tarare il relè termico ad un valore di corrente leggermente inferiore a quello di pieno carico quando l'elettropompa è sicuramente sottocaricata, ma non è permesso di tarare la protezione termica ad un valore di corrente superiore a quello di pieno carico.

Eventuali servizi a corrente leggermente maggiore a quella di pieno carico ($\text{Max } 1.1 I_n$) possono essere tollerati purché la causa sia esclusivamente dovuta a periodici sbalzi di tensione in rete.

Si raccomanda inoltre di installare, a monte del salvamotore, un interruttore onnipolare che isoli completamente l'elettropompa dall'alimentazione elettrica. Nel caso siano installate due pompe una di lavoro e una di stand-by, prevedere anche un interruttore di commutazione tra una pompa e l'altra per bilanciare l'usura delle pompe.

4.2 Controllo del senso di rotazione nelle elettropompe con motore trifase

Il controllo del senso di rotazione può essere eseguito prima del riempimento della pompa col liquido da pompare purché essa sia fatta solo per brevi impulsi. Non è ammesso il funzionamento della pompa prima di essere riempita di liquido.

Il funzionamento a secco continuativo provoca danni irreparabili alla tenuta meccanica.

Se il senso di rotazione non è antiorario guardando la pompa dal lato della bocca di aspirazione, invertire tra di loro due fili di alimentazione.

4.3 Adescamento

Per avere l'adescamento è necessario il riempimento della pompa e del tubo di aspirazione col liquido da sollevare. Il riempimento si esegue, dopo aver tolto il tappo di riempimento, come segue:

- Pompa con battente in aspirazione positivo: permettere l'immissione del liquido nella pompa aprendo la saracinesca in aspirazione fino a che il liquido fuoriesce dalla bocca di riempimento. N.B. La saracinesca in aspirazione ha solo la funzione di intercettare il flusso di liquido, mai quella di regolazione della portata che deve venire eseguita solo con una saracinesca in mandata.
 - Pompa con battente in aspirazione negativo e con valvola di fondo; riempire la pompa e il tubo di aspirazione immettendo il liquido dalla bocca di caricamento. Per abbreviare l'operazione è possibile anche introdurre il liquido dalla bocca di mandata. Favorire durante la fase di riempimento la fuoriuscita dell'aria di sfato; si ricorda che il riempimento è completo solo dopo che il livello sulla bocca di riempimento risulta stabilizzato e le bollicine d'aria sono scomparse.
 - Pompa con battente in aspirazione negativo senza valvola di fondo: in questo caso il riempimento risulta più complesso in quanto bisogna disporre di una fonte di liquido od aria in pressione e di un eiettore o di una pompa a vuoto. Occorre disporre in questo caso di una saracinesca in mandata a tenuta perfetta.
- A riempimento completato avviare la pompa e verificare il mantenimento costante della pressione e della portata, altrimenti fermare immediatamente la pompa e ripetere tutta l'operazione.

5. Funzionamento

Se tutte le operazioni di dimensionamento, di installazione e di riempimento sono state fatte correttamente, la pompa deve offrire un funzionamento silenzioso.

Vengono inoltre messe in risalto le seguenti osservazioni:

- Per liquidi a temperature superiori a quelle di prova la prevalenza manometrica in mandata diminuisce in rapporto al peso volumico del liquido.
- Nel sollevamento di liquidi viscosi portata e prevalenza diminuiscono e la potenza assorbita aumenta. In tal caso è opportuno limitare la massima portata di utilizzo per non incorrere in frequenti interventi della protezione di sovraccarico.
- La pompa non dovrebbe essere soggetta a più di 20 avviamenti per ora per non sottoporre il motore ad eccessive sollecitazioni termiche. Nel caso si disponga di avviatore stella/triangolo il suddetto numero può essere leggermente più elevato.
- La pompa non dovrebbe lavorare per lunghi periodi con la saracinesca in mandata chiusa. Nel caso in cui ciò sia inevitabile, e nei casi in cui la portata di mandata debba essere modulata, procedere come indicato nel capitolo "installazione".
- Le pompe installate in ambienti non protetti dal freddo è necessario svuotarle tutte le volte che rimangono inoperative e lavare l'interno con acqua emulsionata con un inibitore di corrosione.

6. Manutenzione

Le elettropompe non necessitano per il loro funzionamento di alcuna manutenzione programmata in quanto i cuscinetti nel motore sono pregrassati a vita e le tenute meccaniche sono lubrificate dallo stesso liquido pompato.

7. Collegamento

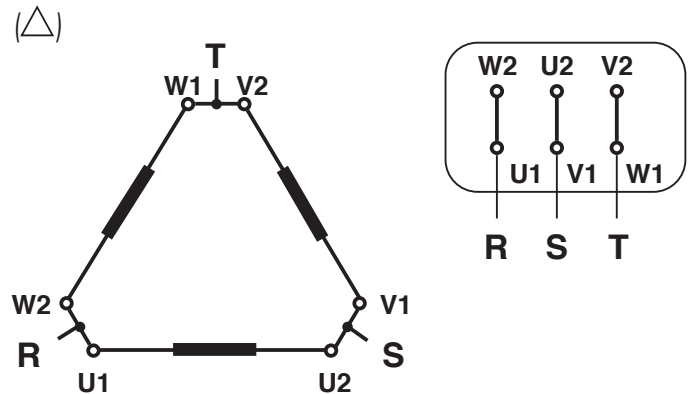
La disposizione a 6 morsetti consente, con il collegamento degli stessi a triangolo (Δ) o a stella (Υ), l'alimentazione del motore.

230 V (Δ) 400 V (Υ)

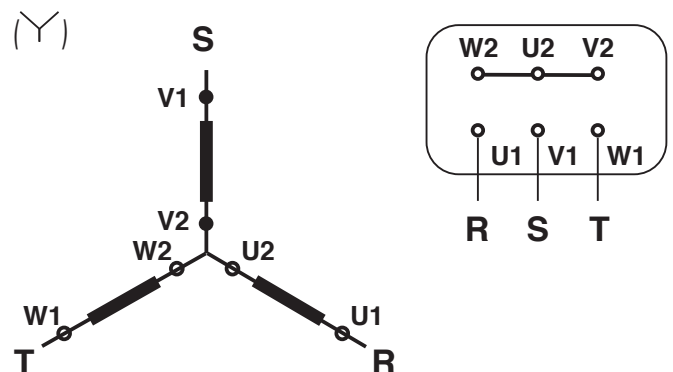
240 V (Δ) 415 V (Υ)

400 V (Δ) 700 V (Υ)

Collegamento triangolo



Collegamento stella



8. Inconvenienti, probabili cause e rimedi

Inconveniente	Ricerca della causa	Rimedi
1 Il motore non parte e non genera alcun rumore e vibrazione	<p>A - Controllare che vi sia energia elettrica di alimentazione.</p> <p>B - Verificare se un fusibile è bruciato.</p> <p>C - Verificare se vi sono contatti aperti o sporchi nelle protezioni.</p>	<p>B - Sostituire il fusibile. N.B. se brucia di nuovo subito significa che il motore o il cavo è in corto circuito diretto verso terra (isolamento danneggiato).</p> <p>C - Ripulire o sostituire l'unità interessata.</p>
2 Il motore non parte, ma genera rumori e vibrazioni	<p>A - Controllare che le connessioni siano state eseguite come indicato sul retro del coprimorsettiera.</p> <p>B - L'albero è bloccato. Ricercare se è dovuto alla ventola allentata o ad ostruzioni meccaniche nel motore o nella pompa.</p> <p>C - Superfici di strisciamento della tenuta meccanica incollate a causa di prolungati stazionamenti.</p>	<p>A - Correggere eventuali connessioni errate.</p> <p>B - Rimuovere la causa dell'ostruzione.</p> <p>C - Sbloccare la tenuta facendo girare di ~1/4 di giro l'albero con l'ausilio di una chiave giratubi.</p>
3 La pompa non eroga	<p>A - La pompa non è stata riempita.</p> <p>B - La pompa si è disinnescata a causa di perdita sul tubo di aspirazione.</p> <p>C - Vedere se il senso di rotazione è giusto nei motori trifasi.</p> <p>D - La prevalenza richiesta dall'impianto supera quella generata dalla pompa.</p> <p>E - Valvola di fondo intasata.</p> <p>F - Dislivello d'aspirazione troppo elevato.</p> <p>G - Tubazione d'aspirazione con a insufficiente.</p>	<p>A - Riempire la pompa e fare l'adescamento.</p> <p>B - Eliminare la perdita, rifare il riempimento e l'adescamento.</p> <p>C - Invertire tra loro due fili di alimentazione.</p> <p>D - Sostituire la pompa con altra idonea.</p> <p>E - Disintasare la valvola di fondo.</p> <p>F - Vedere capitolo "installazione".</p> <p>G - Sostituire il tubo d'aspirazione con altro di diametro maggiore di 1/4" o 1/2".</p>
4 La protezione interviene all'avviamento della macchina	<p>A - Una fase è mancante.</p> <p>B - Come 1B.</p> <p>C - Come 1C.</p> <p>D - Il motore ha l'isolamento difettoso, controllare la resistenza di fase e l'isolamento verso massa.</p>	<p>A - Ripristinare la fase.</p> <p>B - Come 1B.</p> <p>C - Come 1C.</p> <p>D - Sostituire lo statore o il cavetto interno a massa.</p>

8. Inconvenienti, probabili cause e rimedi

Inconveniente	Ricerca della causa	Rimedi
5 La protezione interviene spesso	<p>A - Vedere se la taratura della protezione è stata eseguita ad un valore di corrente più basso di quello di assorbimento del motore a pieno carico.</p> <p>B - Una fase viene a mancare per difetto dei contatti o del cavo di alimentazione.</p> <p>C - Liquido viscoso e con peso volumico di molto superiore a quello dell'acqua.</p> <p>D - Ci sono leggeri raschiamenti tra parti fisse e mobili.</p>	<p>A - Correggere la taratura.</p> <p>B - Pulire e ripristinare i contatti o sostituire il cavo di alimentazione.</p> <p>C - Ridurre leggermente la portata regolando la saracinesca in mandata. Se ciò non è accettabile occorre richiedere un motore più potente.</p> <p>D - Eliminare la causa del raschiamento.</p>
6 L'albero gira con difficoltà	<p>A - Vedere se ci sono ostruzioni nel motore o nella pompa.</p> <p>B - Come 5D.</p> <p>C - Verificare lo stato dei cuscinetti.</p>	<p>A - Come 2B.</p> <p>B - Come 5D.</p> <p>C - Sostituire il cuscinetto danneggiato.</p>
7 La pompa vibra ed ha un funzionamento rumoroso con portata incostante	<p>A - Funzionamento oltre la portata di targa.</p> <p>B - La pompa o le tubazioni non sono fissate bene.</p> <p>C - Come 3F.</p> <p>D - Come 3G.</p>	<p>A - Ridurre la portata.</p> <p>B - Fissare bene le parti allentate o non bloccate.</p> <p>C - Come 3F.</p> <p>D - Come 3G.</p>
8 La pompa gira leggermente in senso contrario quando viene fermata	<p>A - Perdite nella tubazione d'aspirazione o sacche d'aria nella stessa.</p>	<p>A - Eliminare le perdite e vedere il capitolo "installazione".</p>
9 La pompa si avvia e si ferma troppo frequentemente nelle applicazioni in gruppi di pressurizzazione	<p>A - Taratura pressostato troppo ristretta.</p> <p>B - Perdite nell'impianto.</p>	<p>A - Ampliare la taratura del pressostato.</p> <p>B - Eliminare le perdite.</p>
10 La pompa non si ferma nelle applicazioni nei gruppi di pressurizzazione	<p>A - Pressione massima di taratura del pressostato di controllo troppo alta.</p> <p>B - Come 9B</p>	<p>A - Ridurre il valore della massima pressione di taratura del pressostato.</p> <p>B - Come 9B.</p>

1. Основные положения

В данной инструкции содержится необходимая информация для установки, эксплуатации и обслуживания насоса.

В инструкции также приведена таблица для поиска возможных неисправностей насоса с причинами и способами их устранения.

2. Технические характеристики насоса и материалы

Данные электрические насосы являются центробежными, радиальными моноблочными насосами с одной крыльчаткой.

- Основание и корпус насоса изготовлены из чугуна, резьбовые контрфланцы – из нержавеющей стали.
- Вал электродвигателя изготовлен из нержавеющей стали. Крыльчатка для насосов с большим напором изготавливается из бронзы, а для насосов с небольшим напором – из чугуна.
- Корпус механического уплотнения выполнен по стандарту DIN 24960. Механические уплотнения смазываются перекачиваемой жидкостью.
- Все электрические насосы оснащены резьбовыми контрфланцами.
- Шариковые подшипники заполнены консистентной смазкой и не требуют дополнительного обслуживания.
- В насосах используются двухполюсные электродвигатели закрытого типа с внешней вентиляцией, степенью защиты IP 55 и классом изоляции F.
- Стандартные напряжения питающей сети: 50 Гц = 230/400 В для насосов мощностью до 7,5 кВт – 400/700 В для насосов большей мощности. 60 Гц = 230/400 В для насосов всех мощностей. Стандартное напряжение 230 В – 50 Гц. Под заказ возможно изготовление двигателей на другие уровни напряжения.
- В стандартном исполнении электрические насосы предназначены для перекачивания жидкостей с температурой не более 60 С.
- Максимальное рабочее давление: 10 бар.

3. Область применения

Электрические насосы предназначены для перекачивания химически и механически неагрессивных жидкостей в частных, сельскохозяйственных и промышленных нуждах. Содержание твердых частиц в перекачиваемой жидкости не должно превышать по весу 2%. Далее перечислены некоторые типичные примеры применения насоса: системы водоснабжения, ирригационные системы, системы наполнения резервуаров высокого давления, системы создания высокого давления, системы кондиционирования воздуха, системы отопления.

4. Установка

Возможна установка насоса на улице (только под навесом), под наклоном или вертикально.

Осторожно:

При работе в среде с повышенной температурой и влажностью во избежание образования конденсата в двигателе рекомендуется устанавливать его в нормальном положении (горизонтально). Не устанавливайте насос в вертикальном положении электродвигателем вниз (см. схему установки – Рис. 5). Возможно

закрепление насоса непосредственно на трубах системы, в которой он работает. Однако более предпочтительно по возможности жестко прикреплять насос к надежному основанию при помощи четырех анкерных болтов, пропущенных через отверстия в лапах насоса. Жесткое закрепление насоса позволит снизить возможные вибрации.

Правильная установка насоса должна выполняться в соответствии со следующими указаниями:

Всасывающая труба, внутренний диаметр которой не должен быть меньше входного отверстия насоса, должна быть подобрана в соответствии с типом перекачиваемой жидкости и типом системы в целом.

Необходимо учитывать, что максимально возможная высота подъема жидкости снижается не только в зависимости от высоты столба жидкости над всасывающим патрубком насоса, что является характеристикой самого насоса, но и от высоты установки насоса над уровнем моря и потерь на трение во всасывающей трубе. В связи с этим, во избежание кавитации, которая может привести к увеличению шума, ухудшению производительности насоса и вибрациям, которые могут оказывать чрезмерное механическое воздействие на насос, необходимо выполнять следующее требование:

$$h_p + h_z \geq (NPSH_r + 0.5) + h_f + h_{pv}$$

где:

h_p

абсолютное давление, действующее на свободную поверхность жидкости в откачиваемом резервуаре, измеряемое в метрах столба жидкости. h_p является частным от деления барометрического давления на удельный вес жидкости.

h_z

разница в высоте между осью насоса и свободной поверхности жидкости в откачиваемом резервуаре, измеряемая в метрах. Коэффициент h_z отрицательный, когда уровень жидкости находится ниже уровня оси насоса.

hf

потеря напора, вызванная потерями во всасывающей трубе и в арматуре, установленной в ней (например, штуцер, обратный клапан, задвижки, коленчатые патрубки и т.д.)

h_{рв}

давление насыщенного пара жидкости при рабочей температуре, измеряемое в метрах столба жидкости. h_{рв} является частным от деления давления насыщенного пара на удельный вес жидкости.

0.5

коэффициент запаса.

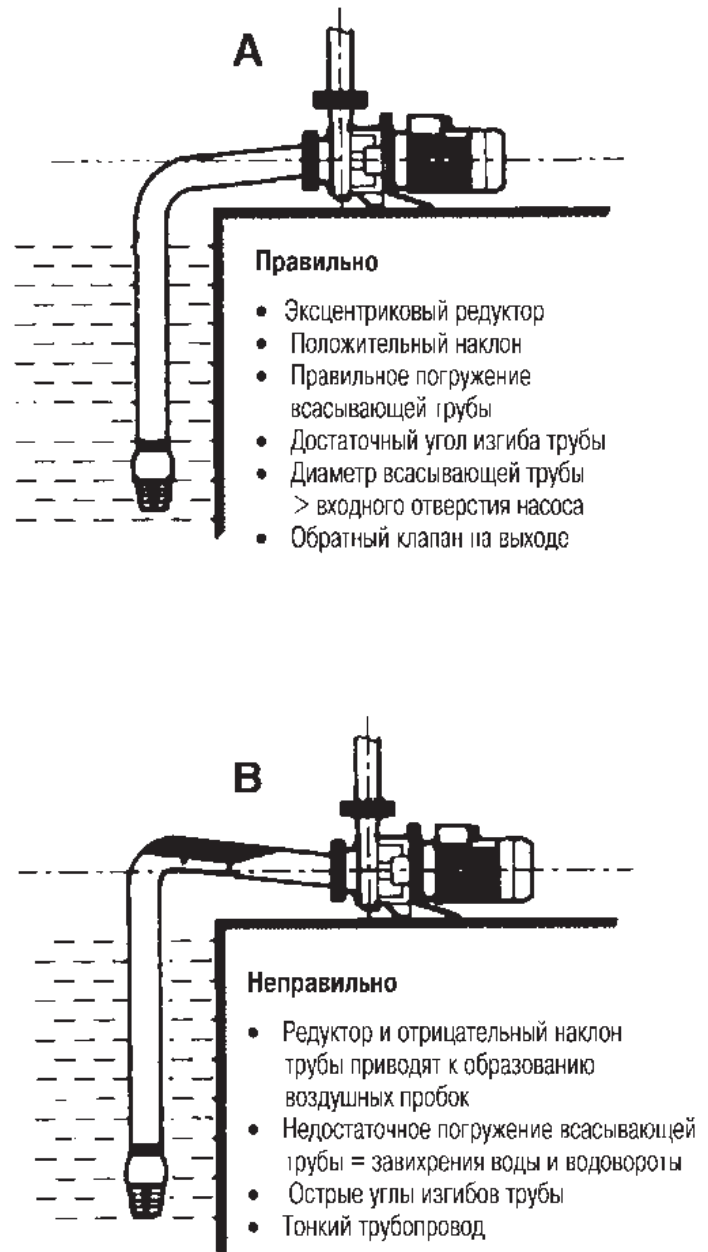
Из вышеуказанного выражение следует, что максимально допустимая высота всасывания жидкости зависит от атмосферного давления (т.е. от высоты над уровнем моря) и от температуры жидкости. Для облегчения задачи пользователя, ниже приведены таблицы, в которых при температуре воды 4°C и высоте на уровне моря приведена зависимость гидравлического давления от высоты над уровнем моря и зависимость потерь при всасывании жидкости в зависимости от ее температуры.

Температура воды (°C)	Потери при всасывании (м)
20	0,2
40	0,7
60	2,0
80	5,0
90	7,4
110	15,4
120	21,5

Высота над уровнем моря (м)	Потери при всасывании (м)
500	0,55
1000	1,1
1500	1,65
2000	2,2
2500	2,75
3000	3,3

Потери напора могут быть рассчитаны из графика, приведенного в каталоге. Для снижения потерь до минимума, особенно при значительной высоте всасывания жидкости (более 4–5 метров) или работе при максимальной производительности насоса, рекомендуется использовать трубы большего диаметра, чем входное отверстие насоса. В любом случае желательно, чтобы насос находился как можно ближе к резервуару с перекачиваемой жидкостью.

Рис. 1 – Установка насоса



Инструкция по установке и эксплуатации электрических насосов.

Для предотвращения образования воздушных пробок всасывающая труба должна слегка подниматься к насосу и все редукторы должны быть эксцентриковыми (см. рис. 1).

В любых системах, где необходимо ограничивать или регулировать подачу жидкости насосом, рекомендуется устанавливать на выходную трубу перепускной клапан или организовывать байпас от выходной трубы к резервуару.

Рекомендуется устанавливать обратный клапан на выходную трубу как можно ближе к насосу, чтобы защитить его от динамических нагрузок, вызванных гидравлическим ударом, а всасывающий клапан устанавливать на конце всасывающей трубы для того, чтобы облегчить заливку насоса.

4.1 Подключение электрического двигателя

Убедитесь в том, что параметры электрической сети соответствуют параметрам на шильдике двигателя. Снимите крышку клеммной коробки, изнутри которой изображена схема подключения.

Внимание: перед выполнением соединений необходимо сначала заземлить двигатель.

Однофазные двигатели

Подключите электрический двигатель в соответствии со схемой, изображенной на крышке клеммной коробки.

Изначально соединения выполнены с учетом правильного направления вращения двигателя — против часовой стрелки, если смотреть со стороны входного отверстия насоса.

Трехфазные электрические двигатели

Необходимо самостоятельно обеспечить тепловую защиту двигателя от перегрузки, установив перед ним защитный выключатель с дистанционным управлением, тепловое реле и плавкие предохранители.

Тепловое реле должно быть установлено на полную номинальную нагрузку двигателя (I_n), указанную на шильдике двигателя. При постоянной неполной загрузке насоса можно настроить тепловое реле на ток меньше тока полной нагрузки. Однако недопустимо настраивать тепловую защиту от перегрузки на уровне тока выше, чем при полной нагрузке двигателя. Работа при токе, слегка превышающем ток полной нагрузки (не более $1.1 I_n$), допустима, только если это вызвано внезапными кратковременными изменениями напряжения питающей сети.

Также для полной электрической изоляции двигателя от питающей сети рекомендуется установить в цепи питания до устройства защиты двигателя многополюсный выключатель. При использовании одновременно двух насосов (одного в качестве резервного) для их равномерного износа рекомендуется установить переключатель.

4.2 Проверка направления вращения электрического насоса с трехфазным двигателем

Можно проверить направление вращения насоса до его заполнения перекачиваемой жидкостью, включая его на очень короткое время.

Запрещается включать насос, предварительно не наполнив его жидкостью.

Продолжительная работа насоса без жидкости приведет к необратимым повреждениям механических уплотнений.

Если насос вращается не против часовой стрелки, если смотреть на него со стороны входного отверстия, необходимо поменять местами два питающих провода.

4.3 Заливка насоса

Заливка насоса заключается в заполнении насоса и всасывающего трубопровода перекачиваемой жидкостью. Для заполнения насоса необходимо снять заливную пробку и сделать следующее: - Насос с положительной высотой всасывания: откройте задвижку во всасывающей трубе насоса и позвольте жидкости заливаться до тех пор, пока ее уровень не достигнет заливной пробки.

Обратите внимание: задвижка во всасывающей трубе насоса предназначена для перекрытия потока жидкости, а не для регулирования напора. Для регулирования напора используется задвижка в выходном трубопроводе насоса.

– Насос с отрицательной высотой всасывания и обратным клапаном: заполните насос и всасывающую трубу жидкостью через заливные пробки. Эту операцию можно сократить, заполняя насос через выходной патрубок. Во время заполнения насоса жидкостью необходимо давать воздуху выходить из него. Обратите внимание на то, что заполнение насоса закончится тогда, когда уровень жидкости в заливных отверстиях перестанет колебаться и прекратится выделение пузырьков воздуха.

– Насос с отрицательной высотой всасывания без обратного клапана. В данном случае процесс заполнения насоса жидкостью несколько осложнен, так как потребуется подача жидкости или воздуха под давлением вместе с эжектором или вакуумным насосом. В таком случае необходимо установить полностью герметичную задвижку на выходную трубу насоса.

После заполнения запустите насос и удостоверьтесь в том, что давление и расход жидкости стабильны. В противном случае необходимо выключить насос и повторить процедуру заполнения жидкостью.

5. Эксплуатация

Если все операции по установке, заполнению и т.д. были выполнены правильно, насос будет работать тихо.

– При температуре жидкости выше проверенной манометрическая высота нагнетания жидкости будет уменьшаться в зависимости от удельного веса жидкости.

– При перекачивании вязких жидкостей расход и высота нагнетания жидкости будут снижаться в то время как потребляемая насосом мощность будет увеличиваться. В таком случае во избежание частых срабатываний защиты от перегрузки двигателя необходимо снизить максимальную производительность насоса.

Во избежание чрезмерной тепловой нагрузки на двигатель не рекомендуется производить более 20 пусков насоса в час.

При использовании стартера переключением из треугольника в звезду, можно немного увеличить допустимое количество пусков насоса в час. Не рекомендуется использовать насос в течение длительного периода времени с закрытой задвижкой на выходной трубе. Если этого нельзя избежать или для получения регулируемого напора жидкости необходимо следовать инструкциям раздела "Установка".

- Все насосы, установленные в местах, не защищенных от холода, должны быть опустошены на время простоя и обработаны раствором состава, замедляющего коррозию.

6. Техническое обслуживание

В связи с тем, что подшипники электродвигателя заправлены смазкой на весь срок своей службы, а механические уплотнения смазываются перекачиваемой жидкостью, насос не требует планового технического обслуживания.

7. Подключение

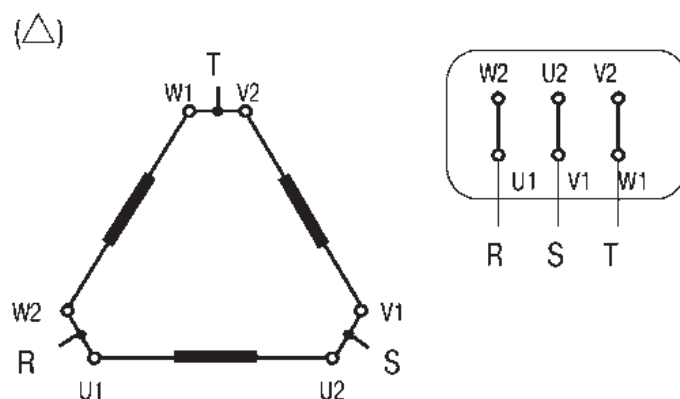
Для данных насосов возможно соединение обмоток электродвигателя в треугольник (Δ) или в звезду (Y).

230 V (Δ) 400 V (Y)

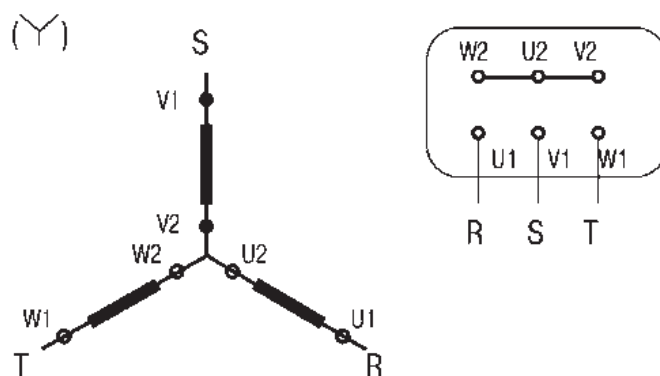
240 V (Δ) 415 V (Y)

400 V (Δ) 700 V (Y)

Соединение в треугольник



Соединение в звезду



8. Таблица поиска неисправностей: возможные неисправности, их причины и способы устранения

Неисправность	Способ проверки	Способ устранения
1. Двигатель не включается. Не возникает никаких шумов или вибраций	<p>A – Убедитесь, что подключено питание насоса.</p> <p>B – Проверьте, нет ли перегоревших предохранителей</p> <p>C – Убедитесь в том, что контакты защитного устройства не загрязнены и не разомкнуты.</p>	<p>B – замените предохранитель на новый. Примечание: если новый предохранитель перегорает сразу же после включения, значит в обмотке электродвигателя или в питающем кабеле возникло короткое замыкание между проводами или на землю (поврежденная изоляция).</p> <p>C – Почистите неисправную часть защитного устройства или замените ее на новую.</p>
2. Двигатель не запускается, но издает шум и вибрирует.	<p>A – Убедитесь в том, что двигатель подключен к питающей сети в соответствии со схемой, изображенной на крышке клеммной коробки.</p> <p>B – Вал двигателя заблокирован. Причиной этого может быть отвернувшийся вентилятор или механическая блокировка двигателя или насоса.</p> <p>C – Заклинена поверхность скольжения механического уплотнения вследствие длительного простоя насоса.</p>	<p>A – Устраните ошибки подключения насоса.</p> <p>B – Устраните причину засорения.</p> <p>C – Поправьте уплотнение, провернув вал двигателя на четверть оборота при помощи газового ключа.</p>
3. Насос не перекачивает жидкость	<p>A – Насос не был заполнен перед началом работы.</p> <p>B – Насос не был заполнен из-за утечек во всасывающей трубе.</p> <p>C – Проверьте направление вращения электродвигателя (при использовании трехфазного двигателя).</p> <p>D – Требуемая высота подъема жидкости превышает максимальную высоту подъема насоса.</p> <p>E – Засорен всасывающий клапан.</p> <p>F – Всасывание производится на слишком большую высоту.</p> <p>G – Всасывающая труба слишком тонкая.</p>	<p>A – Заполните насос жидкостью.</p> <p>B – Устраните протечки. Еще раз наполните насос жидкостью.</p> <p>C – поменяйте местами два питающих провода.</p> <p>D – Замените насос другим, подходящим по мощности.</p> <p>E – Очистите всасывающий клапан.</p> <p>F – См. пункт "Установка" данного руководства.</p> <p>G – Замените всасывающую трубу на новую толще на 1/4 дюйма или на 1/2 дюйма.</p>
4. При включении двигателя срабатывает защита	<p>A – Отсутствует одна из фаз питающей сети.</p> <p>B – То же, что и в 1B.</p> <p>C – То же, что и в 1C.</p> <p>D – Повреждена изоляция электрического двигателя; проверьте сопротивление между фазами и землей.</p>	<p>A – Восстановите фазу.</p> <p>B – То же, что и в 1B.</p> <p>C – То же, что и в 1C.</p> <p>D – Замените статор или внутренний кабель заземления.</p>

8. Таблица поиска неисправностей: возможные неисправности, их причины и способы устранения

Неисправность	Способ проверки	Способ устранения
5. Слишком часто срабатывает защита двигателя	<p>A – Убедитесь в том, что устройство защиты не настроено на значение ниже, чем требуется электродвигателю при полной нагрузке.</p> <p>B – Из-за неисправности контактов или питающего кабеля отсутствует одна из фаз.</p> <p>C – Жидкость слишком вязкая или ее удельный вес значительно превышает удельный вес воды.</p> <p>D – Возникло сильное трение между скользящими и неподвижными частями насоса.</p>	<p>A – Поправьте настройку защитного устройства.</p> <p>B – Почистите и восстановите контакты или замените питающий кабель на новый.</p> <p>C – Слегка снизьте расход жидкости, регулируя соответствующим образом задвижку на выходе насоса. Если это невозможно, замените двигатель на более мощный.</p> <p>D – Устраните причину возникновения повышенного трения.</p>
6. Вал электродвигателя вращается затрудненно	<p>A – Проверьте электродвигатель и насос на предмет наличия посторонних предметов.</p> <p>B – То же, что и в 5D.</p> <p>C – Проверьте состояние подшипников.</p>	<p>A – То же, что и в 2B.</p> <p>B – То же, что и в 5D.</p> <p>C – Замените неисправные подшипники.</p>
7. Насос работает слишком шумно, вибрирует; поток жидкости неравномерный.	<p>A – Нагрузка на насос превышает номинальную.</p> <p>B – Насос или трубопровод недостаточно хорошо закреплен.</p> <p>C – То же, что и в 3F.</p> <p>D – То же, что и в 3G.</p>	<p>A – Снижьте поток жидкости.</p> <p>B – Зафиксируйте все плохо закрепленные части.</p> <p>C – То же, что и в 3F.</p> <p>D – То же, что и в 3G.</p>
8. После выключения двигатель немного вращается в обратном направлении	<p>A – Протечки или воздушные пробки во всасывающей трубе.</p>	<p>A – Устраните протечки и обратитесь к пункту "Установка" данного руководства.</p>
9. При поддержании давления насос часто включается и выключается	<p>A – Слишком сильно занижены установки реле давления.</p> <p>B – В системе есть протечки.</p>	<p>A – Настройте реле давления на более широкий диапазон изменения давления.</p> <p>B – Устраните протечки.</p>
10. При поддержании давления насос не выключается	<p>A – В реле давления установлено слишком высокое максимальное значение давления.</p> <p>B – То же, что и в 9B.</p>	<p>A – Снижьте максимальное значение в реле давления.</p> <p>B – То же, что и в 9B.</p>

I

Informazioni sullo smaltimento delle apparecchiature elettriche ed elettroniche in ottemperanza alla direttiva 2002/96 CE (RAEE).

Attenzione: per smaltire il presente prodotto non utilizzare il normale bidone della spazzatura.

Le apparecchiature elettriche ed elettroniche usate devono essere gestite a parte ed in conformità alla legislazione che richiede il trattamento, il recupero e il riciclaggio adeguato dei suddetti prodotti.

In seguito alle disposizioni attuate dagli Stati membri, i privati residenti nella UE possono conferire gratuitamente le apparecchiature elettriche ed elettroniche usate a centri di raccolta designati.

In caso di difficoltà nel reperire il centro di raccolta autorizzato allo smaltimento, interpellare il rivenditore dal quale è stato acquistato il prodotto.

La normativa nazionale prevede sanzioni a carico dei soggetti che effettuano lo smaltimento abusivo o l'abbandono dei rifiuti di apparecchiature elettriche ed elettroniche.



GB

Information on the disposal of electric and electronic equipment in compliance with directive 2002/96 CE (RAEE).

Warning: do not use the normal house trash bin to dispose of this product.

Used electric and electronic equipment must be handled separately and in compliance with the regulations relating to the treatment, recovery and recycling of the said products.

In accordance with the regulations applied in the member States, private users resident in the EU can take used electric and electronic equipment free of charge to designated collection centers.

If you experience difficulties in locating an authorized disposal center, consult the dealer from whom you purchased the product.

The national regulations provide sanctions against whoever unlawfully disposes of or abandons waste of electric or electronic equipment.

F

Informations sur l'élimination des appareils électriques et électroniques en conformité avec la directive 2002/96 CE (RAEE).

Attention: pour éliminer ce produit, ne pas utiliser la poubelle ordinaire.

Les appareils électriques et électroniques usagés doivent être gérés séparément et en conformité avec la législation régissant le traitement, la récupération et le recyclage de ces produits.

Suite aux dispositions en vigueur dans les États membres, les particuliers résidant en UE peuvent porter gratuitement les appareils électriques et électroniques usagés aux centres de récolte désignés.

En cas de difficultés pour trouver le centre de récolte autorisé à l'élimination, veuillez interpellier le revendeur qui vous a vendu l'appareil.

La législation nationale prévoit des sanctions à la charge des sujets qui abandonnent ou éliminent les déchets d'appareillages électriques ou électroniques de façon illégale.

E

Informaciones sobre el desguace de aparatos eléctricos y electrónicos en conformidad con la directiva 2002/96 CE (RAEE).

Atención: no utilizar la normal lata de la basura para desguazar el presente producto.

Los aparatos eléctricos y electrónicos necesitan un manejo separado en conformidad con la legislación que requiere el tratamiento, la recuperación y el reciclaje de los dichos productos.

En conformidad con las disposiciones vigentes en los Estados miembros, los particulares residentes en la UE pueden llevar gratuitamente los aparatos eléctricos y electrónicos de uso a centrales de recolección designadas. En caso de dificultades para localizar la central de recolección autorizada para el desguace, sirvanse consultar al revendedor donde el producto fue comprado.

La normativa nacional prevé sanciones a cargo de sujetos que abandonan o desguazan los desechos de aparatos eléctricos o electrónicos en forma abusiva.

D

Informationen zur Entsorgung von Elektrogeräten sowie elektronischen Geräten gemäß Richtlinie 2002/96 CE (RAEE).

Hinweis: verwenden Sie nicht den normalen Hausabfall, um dieses Produkt zu beseitigen.

Gebrauchte Elektrogeräte sowie elektronische Geräte müssen separat, gemäß der Gesetzgebung, welche die sachgemäße Behandlung, Verwertung und das Recycling dieser Produkte vorschreibt, verwertet werden.

Gemäß aktueller Anordnungen der Mitgliedsstaaten können private Haushalte der EU die gebrauchten Elektrogeräte sowie elektronische Geräte kostenlos zu den dafür vorgesehen Müllverwertungszentren bringen.

Die nationalen Anordnungen sehen Sanktionen gegen diejenigen vor, die Abfälle von elektrischen oder elektronischen Geräten rechtswidrig entsorgen oder verlassen.

P

Informações a respeito da eliminação de aparelhos eléctricos e electrónicos conforme disposto na directiva 2002/96 CE (RAEE).

Atenção: não elimine este produto deitando-o nos recipientes de lixo normais.

Os aparelhos eléctricos e electrónicos devem ser tratados em separado e segundo a legislação que prevê a recuperação, a reciclagem e tratamento adequados de tais produtos.

Segundo as disposições actuais dos Estados-membros, os utilizadores domésticos que residam na União Europeia podem entregar gratuitamente os aparelhos eléctricos e electrónicos usados em centros de recolha autorizados.

Se for difícil localizar um centro de recolha autorizado para a eliminação, contactar o revendedor onde se comprou o produto.

A legislação nacional prevê sanções para aqueles que efectuam a eliminação abusiva de resíduos de aparelhos eléctricos e electrónicos ou os abandonam no meio ambiente.

NL

Informatie over het milieuvriendelijk afvoeren van elektronische installatie volgens richtlijn 2002/96 CE (RAEE)

Opgepast: product niet meegeven met normaal huisvuil ophaling.

Gebruikte elektrische en elektronische apparaten moeten apart worden verwerkt volgens de wet van het de verwerking, hergebruiking en recyclage van het product.

Overeenkomstig de regeringen die in de lidstaten worden toegepast, de privé gebruikers wonende in de EU kunnen gebruikte elektrische en elektronisch kosteloos inleveren in aangewezen inzamelingscentra.

Als u moeilijkheden ondervindt met het vinden van een inzamelingscentrum, neem dan contact op met de dealer waar u het product heeft aangekocht. De nationale regeringen verstrekken sancties tegen personen die afval van elektrisch of elektronisch materiaal wegdoen of onwettig achterlaten.



S

Information om deponering av avfall som utgörs av eller innehåller elektriska och elektroniska produkter i enlighet med direktiv 2002/96 CE (WEEE).

Observera! Släng inte denna produkt i den vanliga soptunnan

som utgörs av eller innehåller elektriska och elektroniska måste hanteras separat och i enlighet med lagstiftningen som kräver behandling, återvinning och återanvändning av sådana produkter.

I enlighet med bestämmelserna som antagits av medlemsstaterna får privatpersoner som är bosatta inom EU kostnadsfritt lämna in uttjänta elektriska och elektroniska produkter till speciella uppsamlingsställen.

Om du har svårighet att hitta en uppsamlingsplats som är auktoriserad för deponering, vänd dig till distributören där du har köpt produkten.

Den nationella lagstiftningen omfattar sanktioner för den som på olagligt sätt deponerar eller överger avfall bestående av elektriska och elektroniska produkter.

DK

Informationer om bortskaffelse af elektrisk og elektronisk udstyr i overensstemmelse med direktiv 2002/96/EF (WEEE).

Advarsel: brug ikke den normale affaldsbeholder til bortskaffelse af dette produkt.

Brugt elektrisk og elektronisk udstyr skal behandles separat i henhold til lovgivningen, der kræver passende behandling, genvinding og genbrug af disse produkter.

I henhold til bestemmelserne, der er iværksat af EU-landene, kan privatpersoner, der er bosat her, gratis aflevere brugt elektrisk og elektronisk udstyr til udvalgte indsamlingscentre.

Hvis det er vanskeligt at finde et opsamlingscenter, der har tilladelse til bortskaffelse, bedes De kontakte forhandleren, hvor produktet er købt. Det nationale normativ forskriver sanktioner for dem, der foretager ulovlig bortskaffelse eller efterladelse af elektrisk og elektronisk udstyr.

FIN

Tietoja sähköisten ja elektronisten laitteiden hävittämisestä direktiivin 2002/96/EY (WEEE) mukaisesti.

Huomio: Tätä tuotetta ei saa heittää tavalliseen jätesäiliöön

Käytetyt sähköiset ja elektroniset laitteet täytyy hävittää erikseen ja se on tehtävä näiden tuotteiden käsittelyä, talteenottoa ja kierrätystä koskevien lakien mukaisesti.

Mikäli hävittämiseen valtuutettua keräyskeskusta on vaikea löytää, kysy asiaa jälleenmyyjältä, jolta tuote on ostettu.

Kansalliset asetukset määräävät rangaistuksen henkilöille, jotka hävittävät sähköiset ja elektroniset laitteet väärin tai jättävät ne heitteille.

N

Informasjon om avhending av elektriske og elektroniske apparater i henhold til direktivet 2002/96 CE (RAEE).

Advarsel: dette produktet skal ikke kastes sammen med det vanlige avfallet

Utbrukte elektriske og elektroniske apparater skal tas hånd om på annen måte og i samsvar med loven, som krever korrekt behandling, gjenvinning og resirkulering av slike produkter.

I henhold til bestemmelsene i medlemslandene, kan private som er bosatte i EU gratis innlevere de brukte elektriske og elektroniske apparatene til bestemte innsamlingsssentre.

Dersom du har problemer med å finne et autorisert innsamlingsssenter, bør du kontakte forhandleren der du kjøpte produktet.

Loven straffer den som ikke tar hånd om avfall på korrekt vis eller etterlater elektriske og elektroniske apparater i miljøet.

GR

Πληροφορίες για τη διάθεση του ηλεκτρικού και ηλεκτρονικού εξοπλισμού σύμφωνα με την οδηγία 2002/96/EK (AHEE).

Προσοχή: για τη διάθεση αυτού του προϊόντος μη χρησιμοποιείτε τους κοινούς κάδους απορριμμάτων

Οι ηλεκτρικές και ηλεκτρονικές συσκευές πρέπει να διατίθενται χωριστά και σύμφωνα με την ισχύουσα νομοθεσία που απαιτεί την επεξεργασία, την ανάκτηση και την ανακύκλωση των προϊόντων αυτών.

Μετά την εφαρμογή των διατάξεων από τα κράτη μέλη, οι ιδιώτες που κατοικούν στην Ευρωπαϊκή Ένωση μπορούν να παραδίδουν δωρεάν τις ηλεκτρικές και ηλεκτρονικές συσκευές σε εξουσιοδοτημένα κέντρα συλλογής*.

Σε περίπτωση που δυσκολεύσετε να εντοπίσετε το εξουσιοδοτημένο κέντρο συλλογής, απευθυνθείτε στο κατάστημα από το οποίο αγοράσατε το προϊόν.

Η εθνική νομοθεσία προβλέπει κυρώσεις για τους υπεύθυνους της παράνομης διάθεσης ή της εγκατάλειψης των απορριμμάτων ηλεκτρικού και ηλεκτρονικού εξοπλισμού.



DICHIARAZIONE DI CONFORMITÀ

GB

EC declaration of conformity

We declare that articles present in this handbook comply with the following Directives:

- 2006/42/CE (Curve point at max. capacity/rated Hz → LpA measured ≤ 80 dBA/R:1m - H:1,6m)
 - 2006/95/CE • 2004/108/CE • 2000/14/CE
- Pump (curve point at max. capacity/rated Hz) → LWA measured 94 dBA / LWA guaranteed 95 dBA / Procedure followed: Enclosure V

Applied harmonized standards:

- EN 60034-1/EN 60335-1/EN 60335-2-41/EN 12100-1/EN 12100-2/EN 61000-6-3/EN 62233/EN ISO 3744

I

Dichiarazione CE di conformità

Si dichiara che gli articoli del presente libretto sono conformi alle seguenti Direttive:

- 2006/42/CE (Punto in curva alla max Portata/Hz di targa → LpA misurato ≤ 80 dBA/R:1m - H:1,6m)
 - 2006/95/CE • 2004/108/CE • 2000/14/CE
- Pompe (punto in curva alla max Portata/Hz di targa) → LWA misurato 94 dBA / LWA garantito 95 dBA / Procedura seguita: Allegato V

Norme armonizzate applicate:

- EN 60034-1/EN 60335-1/EN 60335-2-41/EN 12100-1/EN 12100-2/EN 61000-6-3/EN 62233/EN ISO 3744

RUS

СЕРТИФИКАТ СООТВЕТСТВИЯ ЕС

Заявляю, что изделия, упомянуты в настоящей инструкции, соответствуют следующим Дирктивам:

- 2006/42/CE (Точка кривой при максимальной производительности/ номинальной частоте → LpA измеренный уровень ≤ 80 дБА/Радиус: 1м - Высота: 1,6м)
 - 2006/95/CE • 2004/108/CE • 2000/14/CE
- Насос (точка кривой при максимальной производительности/ номинальной частоте)
LWA измеренный уровень 94 дБА / LWA гарантированный уровень 95 дБА / Выполняемая процедура: Приложение V
Используемые гармонизированные стандарты:

- EN 60034-1/EN 60335-1/EN 60335-2-41/EN 12100-1/EN 12100-2/EN 61000-6-3/EN 62233/EN ISO 3744

