

Parts List

FILE NO.

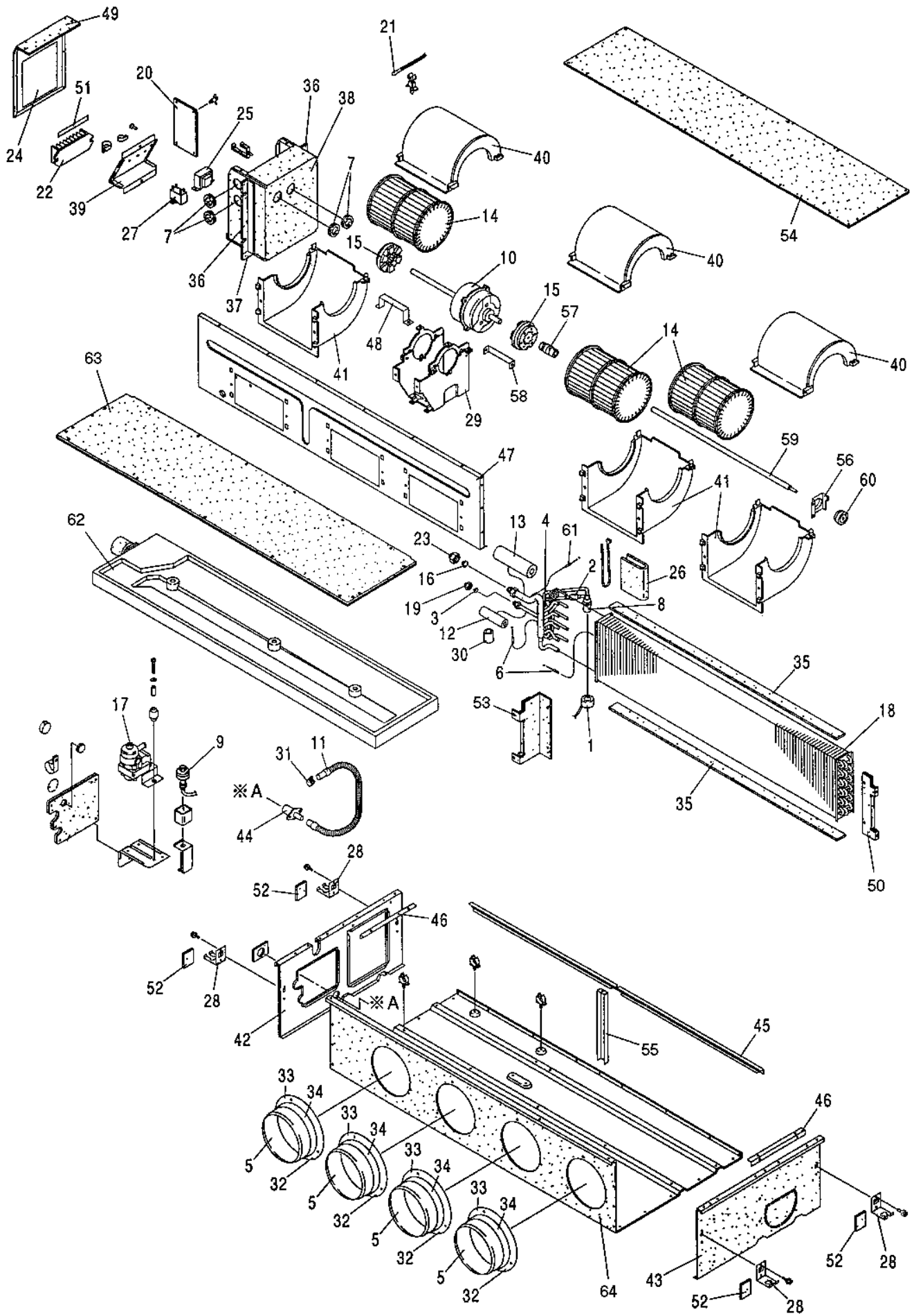
Air Conditioner

INDOOR UNIT

SPW-UR363GHN56**SPW-UR483GHN56**

INDOOR UNIT		APPLICABLE OUTDOOR UNIT	VOLT / PHASE / Hz
MODEL No .	PR . CODE No.	MODEL No .	
SPW-UR363GHN56	854 015 86	SPW-CR363/483/703/903GV8	IN : 220-240 / 1 / 50
SPW-UR483GHN56	854 015 87	SPW-CR363/483/703/903GVH8	OUT : 380-415 / 3 / 50

SPW-UR363GHN56
SPW-UR483GHN56



ATTENTION !

To ensure correct parts supply, please let us know followings,
when you make service parts order:

1.Part No. 2.Part Name 3.Specification 4.Q'ty 5.Volts-Hz-Ph 6.Products Model No.

Key No.	Part No.	Part Name	Specification	Q'ty	Reference No.
1	638 018 7096	MAGNETIC COIL	EKV-MOZS698E0	1	1FJ-4-L8A0-06900
2	623 109 4603	STR ASSY		1	854-0-4522-14200
3	623 000 5556	BONNET	C1220P-1/4H	1	3-9336-10200
4	623 101 8968	STR ASSY		1	854-0-4522-13100
5	638 018 7249	ANGLE FLANGE	*PL-ABS-23	4	854-2-2306-26200
6	407 166 7407	TH PBC-41E-S	PBC-41E-S36	2	DHPBC-41ES36N
7	623 000 0735	EYELET		4	3-9041-01500
8	638 010 8251	SOL-CONTROL-VALVE	HKV-30D16	1	854-2-4548-11900
9	638 007 5362	SWITCH OTHER	FS-0218-103	1	1FJ-4-S120-00400
10	638 019 7262	1PH IND MOT COND	KFC4X-141A5P	1	525-0-5000-09805
11	638 018 7362	HOSE DR		1	854-2-4297-14600
12	638 018 7294	INS SPECIAL	*INS-TUBE-10	1	854-2-2411-22300
13	638 018 7287	INS SPECIAL	*INS-TUBE-10	1	854-2-2411-22200
14	638 007 2002	BLO ASSY	*PL-ABS-00	3	854-0-2501-22800
15	638 005 4282	CUSHION RUB BLO	*GUM-CR-01	2	854-2-2534-16400
16	623 000 5587	BONNET	C1220P-1/4H	1	3-9336-10500
17	638 019 6838	DR PUMP ASSY	PJV-1422	1	854-0-5105-11800
18	638 018 8239	HEAT EXCH ASSY		1	854-0-4119-72700
19	623 000 5402	FLARE	C3771BD	1	3-9331-10200
20	638 010 9074	PRINTED CKT BD ASSY	CR-X253GH	1	854-0-5178-09700
21	638 011 8342	TH KTEC-35-S	KTEC-35-S85	1	DHKTEC35-S85N
22	638 010 8183	TERMINAL BASE	600V 50A, 15A	1	1FJ-4-J3A0-02200
23	623 000 5433	FLARE 5/8	C3771BD	1	3-9331-10500
24	638 019 7248	ELEC WIRING DIAG	*TAC-JO	1	854-2-5268-84300
25	638 010 7254	POWER TRANS	ATR-11215TB	1	1FJ-4-L5A0-03500
26	638 015 1127	VIB INS	*GUM-DAMP-11	1	854-2-2475-18500
27	638 019 7279	FIXED CAPACITOR	CMPS45B605JM	1	1FJ-4-C1A0-12300
28	638 018 7188	PL HOOK	SGHC-CX-Z12	4	854-2-1130-24201
29	638 018 7126	SUPPORT MOT ASSY		1	854-0-2511-24901
30	623 054 6073	INS TUBE	*FO-EPM-00	1	852-2-4514-28600
31	623 077 2205	CLIP		1	854-2-2315-10301
32	638 018 7218	INS COV	*FO-PE-08	4	854-2-1408-77800
33	638 018 7225	INS COV	*FO-PE-08	4	854-2-1408-77900
34	638 018 7232	INS COV	*FO-PE-08	4	854-2-1408-81100
35	638 018 7270	INS EVAP	*FO-PE-17	2	854-2-2404-31000
36	638 018 7409	PL MTG	*SGCC-INS-00	2	854-2-5309-14200
37	638 018 7416	PL MTG	*SGCC-INS-00	1	854-2-5309-14300
38	638 018 7393	ELEC J-B	*SGCC-INS-00	1	854-2-5306-11800
39	638 018 7423	SUPPORT TERMINAL	SGCC-CX-Z12	1	854-2-5316-16401
40	638 018 7317	BLO CSG MAIN	*PL-ABS-23	3	854-2-2506-19200
41	638 018 7324	BLO CSG MAIN	*PL-ABS-23	3	854-2-2506-19300
42	638 018 7102	PNL SIDE ASSY		1	854-0-1102-39200
43	638 018 7119	PNL SIDE ASSY		1	854-0-1102-39400
44	638 018 7256	JOINT DR	*PL-ABS-11	1	854-2-2334-18600
45	638 018 7164	MTG PNL	SGHC-CX-Z12	1	854-2-1127-19100
46	638 018 7171	PL MTG	SGCC-CX-Z12	2	854-2-1129-95100
47	638 018 7300	PL PTN BLO	SGCD-CX-Z12	1	854-2-2505-19200
48	638 018 7331	SUPPORT MOT	SGCC-CX-Z12	1	854-2-2516-30100
49	638 018 7386	COV J-B	*SGCC-INS-00	1	854-2-5304-50300
50	638 018 7553	PL MTG ASSY		1	854-9-9536-04299

**NOTE: Metal and plastic parts will be supplied basically
with necessary heat insulation pads or packing.
Each key number with "#" means the
recommended service parts.**

ATTENTION !

To ensure correct parts supply, please let us know followings,
when you make service parts order:

1.Part No. 2.Part Name 3.Specification 4.Q'ty 5.Volts-Hz-Ph 6.Products Model No.

Key No.	Part No.	Part Name	Specification	Q'ty	Reference No.
1	638 018 7096	MAGNETIC COIL	EKV-MOZS698E0	1	1FJ-4-L8A0-06900
2	623 109 4603	STR ASSY		1	854-0-4522-14200
3	623 000 5556	BONNET	C1220P-1/4H	1	3-9336-10200
4	623 101 8968	STR ASSY		1	854-0-4522-13100
5	638 018 7249	ANGLE FLANGE	*PL-ABS-23	4	854-2-2306-26200
6	407 166 7407	TH PBC-41E-S	PBC-41E-S36	2	DHPBC-41ES36N
7	623 000 0735	EYELET		4	3-9041-01500
8	638 010 8251	SOL-CONTROL-VALVE	HKV-30D16	1	854-2-4548-11900
9	638 007 5362	SWITCH OTHER	FS-0218-103	1	1FJ-4-S120-00400
10	638 019 7262	1PH IND MOT COND	KFC4X-141A5P	1	525-0-5000-09805
11	638 018 7362	HOSE DR		1	854-2-4297-14600
12	638 018 7294	INS SPECIAL	*INS-TUBE-10	1	854-2-2411-22300
13	638 018 7287	INS SPECIAL	*INS-TUBE-10	1	854-2-2411-22200
14	638 007 2002	BLO ASSY	*PL-ABS-00	3	854-0-2501-22800
15	638 005 4282	CUSHION RUB BLO	*GUM-CR-01	2	854-2-2534-16400
16	623 000 5587	BONNET	C1220P-1/4H	1	3-9336-10500
17	638 019 6838	DR PUMP ASSY	PJV-1422	1	854-0-5105-11800
18	638 018 8239	HEAT EXCH ASSY		1	854-0-4119-72700
19	623 000 5402	FLARE	C3771BD	1	3-9331-10200
20	638 010 9074	PRINTED CKT BD ASSY	CR-X253GH	1	854-0-5178-09700
21	638 011 8342	TH KTEC-35-S	KTEC-35-S85	1	DHKTEC35-S85N
22	638 010 8183	TERMINAL BASE	600V 50A, 15A	1	1FJ-4-J3A0-02200
23	623 000 5433	FLARE 5/8	C3771BD	1	3-9331-10500
24	638 019 7248	ELEC WIRING DIAG	*TAC-JO	1	854-2-5268-84300
25	638 010 7254	POWER TRANS	ATR-11215TB	1	1FJ-4-L5A0-03500
26	638 015 1127	VIB INS	*GUM-DAMP-11	1	854-2-2475-18500
27	638 020 0771	FIXED CAPACITOR	CMPS45B805JM	1	1FJ-4-C1A0-12500
28	638 018 7188	PL HOOK	SGHC-CX-Z12	4	854-2-1130-24201
29	638 018 7126	SUPPORT MOT ASSY		1	854-0-2511-24901
30	623 054 6073	INS TUBE	*FO-EPM-00	1	852-2-4514-28600
31	623 077 2205	CLIP		1	854-2-2315-10301
32	638 018 7218	INS COV	*FO-PE-08	4	854-2-1408-77800
33	638 018 7225	INS COV	*FO-PE-08	4	854-2-1408-77900
34	638 018 7232	INS COV	*FO-PE-08	4	854-2-1408-81100
35	638 018 7270	INS EVAP	*FO-PE-17	2	854-2-2404-31000
36	638 018 7409	PL MTG	*SGCC-INS-00	2	854-2-5309-14200
37	638 018 7416	PL MTG	*SGCC-INS-00	1	854-2-5309-14300
38	638 018 7393	ELEC J-B	*SGCC-INS-00	1	854-2-5306-11800
39	638 018 7423	SUPPORT TERMINAL	SGCC-CX-Z12	1	854-2-5316-16401
40	638 018 7317	BLO CSG MAIN	*PL-ABS-23	3	854-2-2506-19200
41	638 018 7324	BLO CSG MAIN	*PL-ABS-23	3	854-2-2506-19300
42	638 018 7102	PNL SIDE ASSY		1	854-0-1102-39200
43	638 018 7119	PNL SIDE ASSY		1	854-0-1102-39400
44	638 018 7256	JOINT DR	*PL-ABS-11	1	854-2-2334-18600
45	638 018 7164	MTG PNL	SGHC-CX-Z12	1	854-2-1127-19100
46	638 018 7171	PL MTG	SGCC-CX-Z12	2	854-2-1129-95100
47	638 018 7300	PL PTN BLO	SGCD-CX-Z12	1	854-2-2505-19200
48	638 018 7331	SUPPORT MOT	SGCC-CX-Z12	1	854-2-2516-30100
49	638 018 7386	COV J-B	*SGCC-INS-00	1	854-2-5304-50300
50	638 018 7553	PL MTG ASSY		1	854-9-9536-04299

**NOTE: Metal and plastic parts will be supplied basically
with necessary heat insulation pads or packing.
Each key number with "#" means the
recommended service parts.**

ATTENTION !

To ensure correct parts supply, please let us know followings,
when you make service parts order:

1.Part No. 2.Part Name 3.Specification 4.Q'ty 5.Volts-Hz-Ph 6.Products Model No.

Key No.	Part No.	Part Name	Specification	Q'ty	Reference No.
51	638 019 7255	NOTES	*TAC-JO	1	854-2-5261-09200
52	638 018 7201	INS COV	*FO-PE-08	4	854-2-1408-77500
53	638 018 7546	PL MTG ASSY		0	854-9-9536-04298
54	638 018 7539	COV TOP ASSY		1	854-9-9536-04305
55	638 018 7263	PL MTG		1	854-2-2361-49800
56	638 018 7355	MTG BEARING		1	854-2-2520-13901
57	638 007 2026	BOSS ASSY		1	854-0-2513-11600
58	638 018 7348	SUPPORT MOT		1	854-2-2516-30600
59	638 018 7133	SHAFT ASSY		1	854-0-2518-11000
60	623 094 4466	BEARING HOUSING ASSY		1	852-0-2510-12800
61	407 124 6701	TH PBC-41E-S25	PBC-41E-S25	1	DHPBC-41ES25N
62	638 018 7508	DR PAN ASSY		1	854-9-9536-04302
63	638 018 7515	COV DR ASSY		1	854-9-9536-04303
64	638 018 7522	CAB ASSY		1	854-9-9536-04304
65	638 020 0207	CONSTRUCTION NOTES		1	854-6-4179-93400
66	638 016 3212	EXPLANATORY BOOKLET		1	854-6-4189-25500

NOTE: Metal and plastic parts will be supplied basically with necessary heat insulation pads or packing.
Each key number with "#" means the recommended service parts.