

Parts List

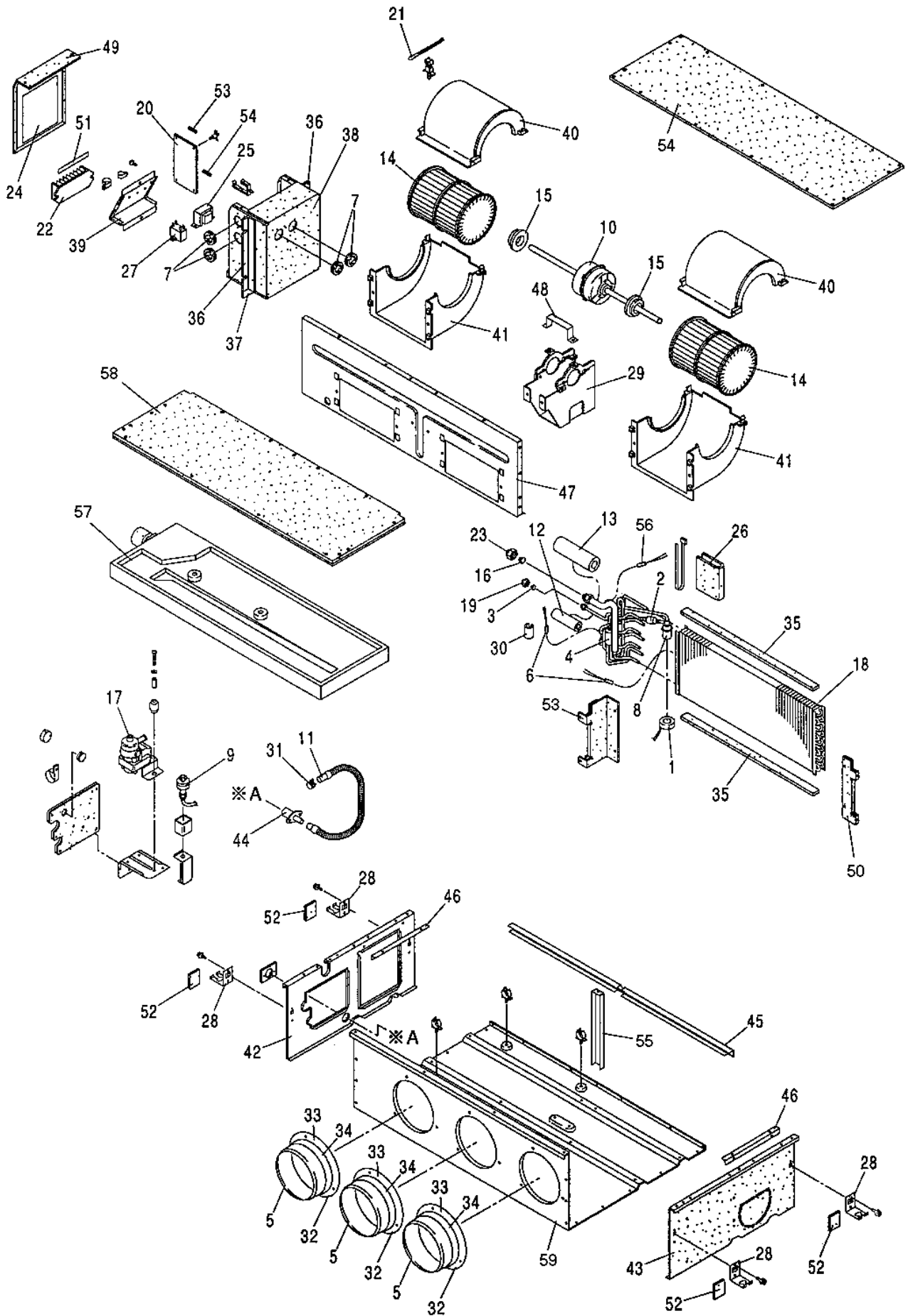
FILE NO.

Air Conditioner

INDOOR UNIT

SPW-UR253GHN56

INDOOR UNIT		APPLICABLE OUTDOOR UNIT	VOLT / PHASE / Hz
MODEL No .	PR . CODE No.	MODEL No .	
SPW-UR253GHN56	854 015 85	SPW-CR363/483/703/903GV8 SPW-CR363/483/703/903GVH8	IN : 220-240 / 1 / 50 OUT : 380-415 / 3 / 50



ATTENTION !

To ensure correct parts supply, please let us know followings,
when you make service parts order:

1.Part No. 2.Part Name 3.Specification 4.Q'ty 5.Volts-Hz-Ph 6.Products Model No.

Key No.	Part No.	Part Name	Specification	Q'ty	Reference No.
1	638 018 7607	MAGNETIC COIL	DKV-MOZS697E0	1	1FJ-4-L8A0-06800
2	638 005 9300	STR ASSY		1	854-0-4522-16700
3	623 000 5556	BONNET	C1220P-1/4H	1	3-9336-10200
4	623 102 1951	STR ASSY		1	854-0-4522-13000
5	638 018 7249	ANGLE FLANGE	*PL-ABS-23	3	854-2-2306-26200
6	407 166 7407	TH PBC-41E-S	PBC-41E-S36	2	DHPBC-41ES36N
7	623 000 0735	EYELET		4	3-9041-01500
8	638 007 2682	SOL-CONTROL-VALVE	IKV-24D12	1	854-2-4548-11800
9	638 007 5362	SWITCH OTHER	FS-0218-103	1	1FJ-4-S120-00400
10	638 020 0764	1PH IND MOT COND	KFG4X-71B5P	1	525-0-5000-09705
11	638 018 7362	HOSE DR		1	854-2-4297-14600
12	638 018 7294	INS SPECIAL	*INS-TUBE-10	1	854-2-2411-22300
13	638 018 7287	INS SPECIAL	*INS-TUBE-10	1	854-2-2411-22200
14	638 007 2002	BLO ASSY	*PL-ABS-00	2	854-0-2501-22800
15	638 015 1486	CUSHION RUB BLO	*GUM-CR-01	2	854-2-2534-17500
16	623 000 5570	BONNET	C1220P-1/4H	1	3-9336-10400
17	638 019 6838	DR PUMP ASSY	PJV-1422	1	854-0-5105-11800
18	638 018 8017	HEAT EXCH ASSY		1	854-0-4119-72500
19	623 000 5402	FLARE	C3771BD	1	3-9331-10200
20	638 010 9074	PRINTED CKT BD ASSY	CR-X253GH	1	854-0-5178-09700
21	638 011 8342	TH KTEC-35-S	KTEC-35-S85	1	DHKTEC35-S85N
22	638 010 8183	TERMINAL BASE	600V 50A, 15A	1	1FJ-4-J3A0-02200
23	623 000 5426	FLARE 5/8	C3771BD	1	3-9331-10400
24	638 019 7248	ELEC WIRING DIAG	*TAC-JO	1	854-2-5268-84300
25	638 010 7254	POWER TRANS	ATR-11215TB	1	1FJ-4-L5A0-03500
26	638 015 1127	VIB INS	*GUM-DAMP-11	1	854-2-2475-18500
27	638 020 0757	FIXED CAPACITOR	CMPS45B505JM	1	1FJ-4-C1A0-12200
28	638 018 7188	PL HOOK	SGHC-CX-Z12	4	854-2-1130-24201
29	638 018 7621	SUPPORT MOT ASSY		1	854-0-2511-24801
30	623 054 6073	INS TUBE	*FO-EPM-00	1	852-2-4514-28600
31	623 077 2205	CLIP		1	854-2-2315-10301
32	638 018 7218	INS COV	*FO-PE-08	3	854-2-1408-77800
33	638 018 7225	INS COV	*FO-PE-08	3	854-2-1408-77900
34	638 018 7232	INS COV	*FO-PE-08	3	854-2-1408-81100
35	638 018 7799	INS EVAP	*FO-PE-17	2	854-2-2404-30900
36	638 018 7409	PL MTG	*SGCC-INS-00	2	854-2-5309-14200
37	638 018 7416	PL MTG	*SGCC-INS-00	1	854-2-5309-14300
38	638 018 7393	ELEC J-B	*SGCC-INS-00	1	854-2-5306-11800
39	638 018 7423	SUPPORT TERMINAL	SGCC-CX-Z12	1	854-2-5316-16401
40	638 018 7317	BLO CSG MAIN	*PL-ABS-23	2	854-2-2506-19200
41	638 018 7324	BLO CSG MAIN	*PL-ABS-23	2	854-2-2506-19300
42	638 018 7102	PNL SIDE ASSY		1	854-0-1102-39200
43	638 018 7614	PNL SIDE ASSY		1	854-0-1102-39300
44	638 018 7256	JOINT DR	*PL-ABS-11	1	854-2-2334-18600
45	638 018 7843	MTG PNL	SGHC-CX-Z12	1	854-2-1127-19000
46	638 018 7171	PL MTG	SGCC-CX-Z12	2	854-2-1129-95100
47	638 018 7805	PL PTN BLO	SGCD-CX-Z12	1	854-2-2505-19100
48	638 018 7683	SUPPORT MOT	SGCC-CX-Z12	1	854-2-2516-30000
49	638 018 7386	COV J-B	*SGCC-INS-00	1	854-2-5304-50300
50	638 018 7553	PL MTG ASSY		1	854-9-9536-04299

**NOTE: Metal and plastic parts will be supplied basically
with necessary heat insulation pads or packing.
Each key number with "#" means the
recommended service parts.**

