



## Parts List

FILE NO.
----------

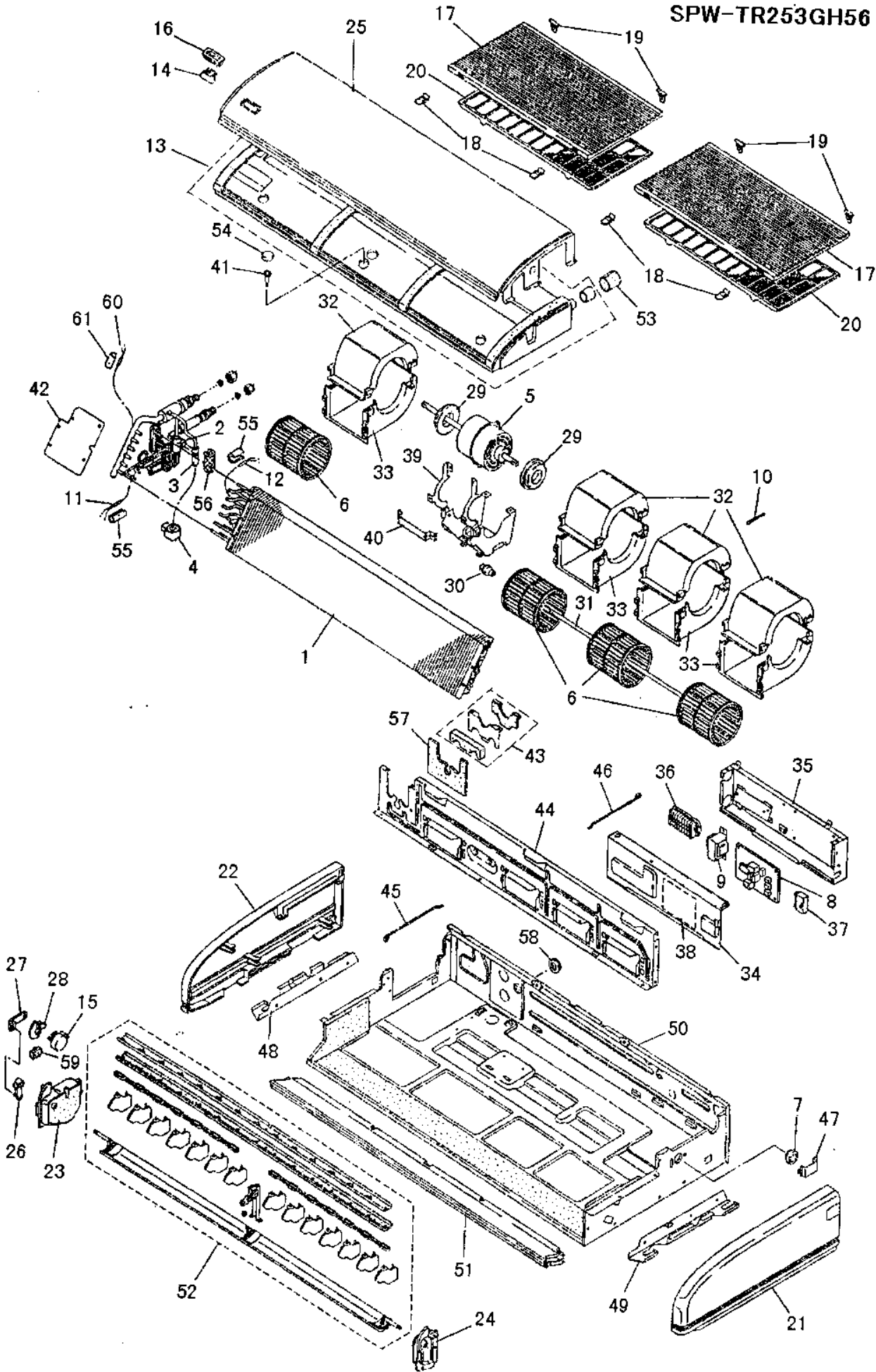
Air Conditioner

INDOOR UNIT

SPW-TR253GH56

INDOOR UNIT		APPLICABLE OUTDOOR UNIT	
MODEL No.	PR. CODE No.	MODEL No.	VOLT / PHASE / Hz
SPW-TR253GH56	854 014 31	SPW-CR363/483/703/903GV8	IN : 220-240 / 1 / 50
		SPW-CR363/483/703/903GVH8	OUT : 380-415 / 3 / 50

SPW-TR253GH56



**ATTENTION !**

To ensure correct parts supply, please let us know followings,  
when you make service parts order:

1.Part No. 2.Part Name 3.Specification 4.Q'ty 5.Volts-Hz-Ph 6.Products Model No.

Key No.	Part No.	Part Name	Specification	Q'ty	Reference No.
# 1	638 016 9429	HEAT EXCH ASSY		1	854-0-4119-64300
# 2	623 102 1982	STR ASSY		1	854-0-4522-12900
# 3	638 007 2682	SOL CONTROL VALVE	1KV-24D12	1	854-2-4548-11800
# 4	638 011 2753	MAGNETIC COIL	DKV-MOZS582E	1	1FJ-4-L8A0-01900
# 5	638 016 9436	FAN MOTOR K	SR4X-51A6P	1	854-0-5202-22600
# 6	638 015 0823	BLO ASSY		4	854-0-2501-24000
# 7	623 094 4466	BEARING HOUSING ASSY		1	852-0-2510-12800
# 8	638 010 9074	P C B ASSY	CR-X253GH	1	854-0-5178-09700
# 9	638 016 9368	POWER TRANS K	ATR-11215TB	1	854-0-5263-11600
# 10	638 011 6751	THERMISTOR ASSY K	KTEC-35-S6	1	854-0-5259-11500
# 11	638 011 6331	THERMISTOR ASSY K	PBC-41E-S14	1	854-0-5259-11900
# 12	638 011 6355	THERMISTOR ASSY K	PBC-41E-S14	1	854-0-5259-13800
# 13	638 015 1202	DR PAN ASSY		1	854-9-9536-04095
# 14	638 015 0885	COV LAMP		1	854-2-1323-11415
# 15	638 008 2063	SYNCHRO MOTOR	MT8-3C	1	528-0-5000-00303
16	638 015 0878	PNL ORN		1	854-2-1308-28800
17	638 015 0830	GRILLE AIR IN		2	854-2-1104-16800
18	638 015 0847	PL HOOK (FRONT)		4	854-2-1130-23300
19	638 015 0724	PL HOOK (REAR)		4	854-2-1130-23400
20	638 014 6000	FRAME FILTER ASSY		2	854-0-1302-22800
21	638 015 0854	PNL SIDE		1	854-2-1102-55300
22	638 015 0861	PNL SIDE		1	854-2-1102-55400
23	638 015 1219	COV SIDE R ASSY		1	854-9-9536-04091
24	638 015 1226	COV SIDE L ASSY		1	854-9-9536-04092
25	638 015 1240	PNL FRONT ASSY		1	854-9-9536-04126
26	638 015 0922	SHAFT		1	854-2-1349-13900
27	638 015 0939	ROD		1	854-2-2329-12600
28	638 015 0946	CAM		1	854-2-2354-11100
29	623 131 4206	CUSHION RUB		2	852-2-2511-15900
30	638 015 0984	BOSS ASSY		1	854-0-2513-11800
31	638 015 0991	SHAFT ASSY		1	854-0-2518-10800
32	638 015 0960	BLO CSG MAIN		4	854-2-2506-19000
33	638 015 0977	BLO CSG MAIN		4	854-2-2506-18800
34	638 015 2469	COV JB ASSY		1	854-0-5304-20600
35	638 016 9344	ELEC J-B ASSY		1	854-0-5301-74901
36	638 010 8183	TERMINAL BASE		1	1FJ-4-J3A0-02200
37	623 001 1618	FIXED CAPACITOR	UPMDD 440V 1.5MF	1	4-2239-56158
38	638 016 9337	ELEC WIRING DIAG		1	854-2-5268-66500
39	638 015 1073	SUPPORT MOT ASSY		1	854-0-2511-24101
40	638 015 1080	SUPPORT MOT		1	854-2-2516-29000
41	638 015 0953	SCREW SPECIAL		1	854-2-1356-15401
42	638 015 1042	PL MTG EVAP		1	854-2-2303-30700
43	638 015 1059	COV EVAP		1	854-2-2325-31301
44	638 015 1066	PL PTN BLO		1	854-2-2505-18600
45	638 015 1141	WIRE		1	854-2-1310-27401
46	638 015 1158	WIRE		1	854-2-1310-27501
47	638 015 1097	PL MTG		1	854-2-2361-36901
48	638 015 0618	PL HOOK		1	854-2-1130-23501
49	638 015 0625	PL HOOK		1	854-2-1130-23601
50	638 016 9443	CAB ASSY		1	854-0-1104-29800

**NOTE: Metal and plastic parts will be supplied basically  
with necessary heat insulation pads or packing.  
Each key number with "#" means the  
recommended service parts.**

