



Parts List

Air Conditioner

FILE NO.

INDOOR UNIT

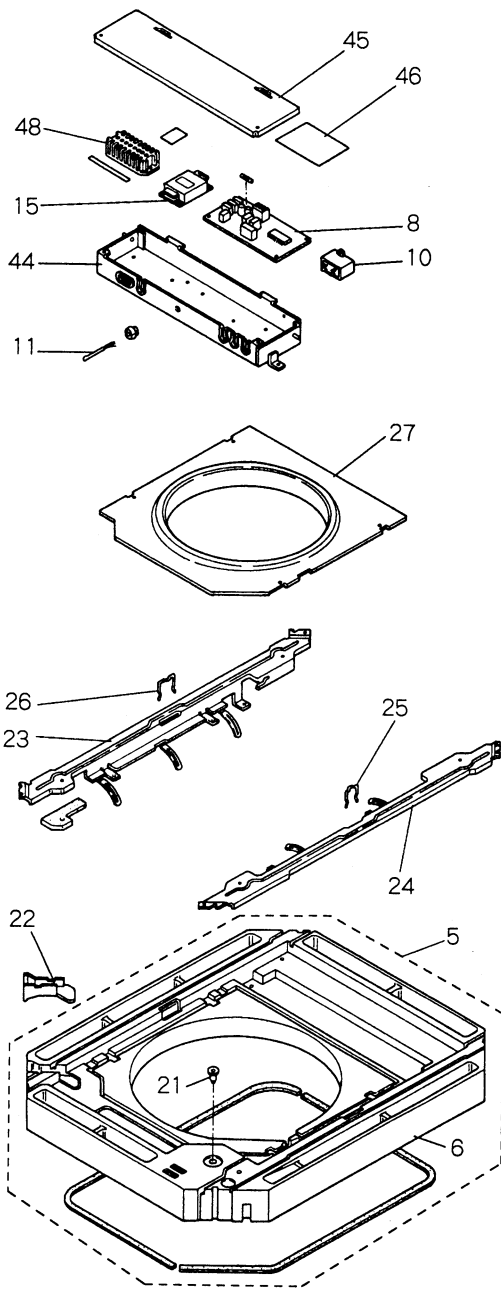
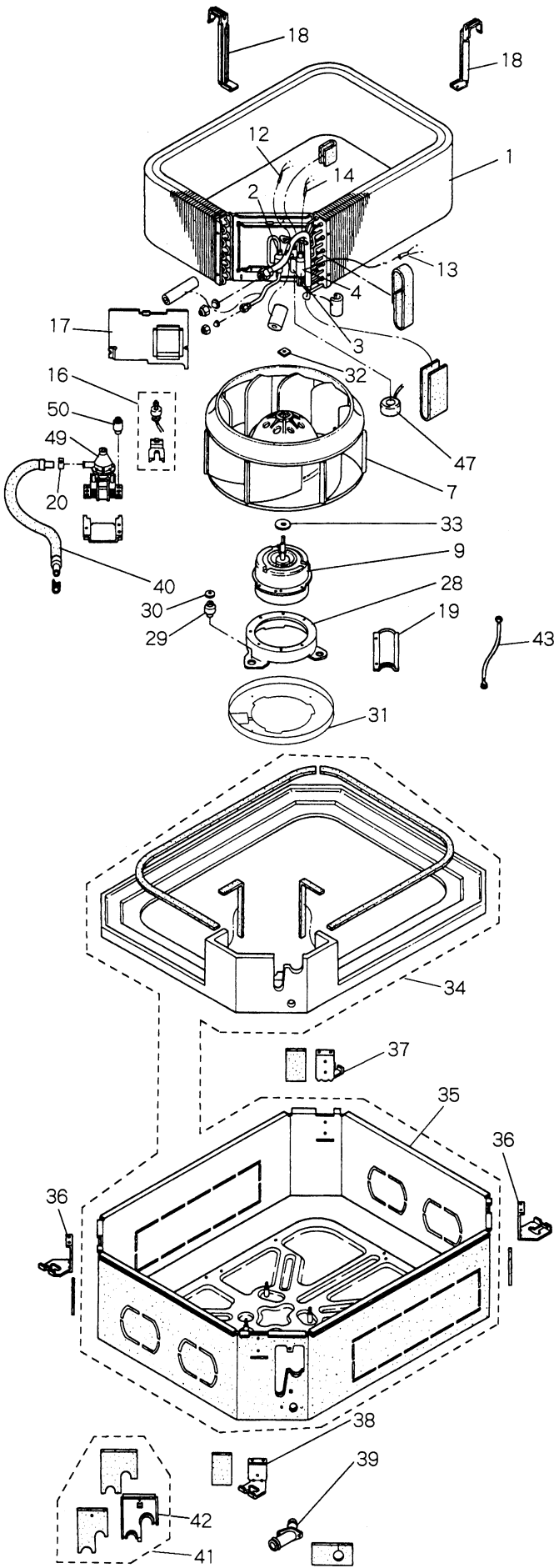
SPW-X363GH56
SPW-X483GH56

INDOOR UNIT		APPLICABLE OUTDOOR UNIT	VOLT / ϕ / Hz
MODEL No.	PR. CODE No.	MODEL No.	
SPW-X363GH56	854 011 36	SPW-C703/903GY8 SPW-C703/903GYH8	IN : 220-240 / 1 / 50
SPW-X483GH56	854 011 37	SPW-C363/483GH8	OUT : 380-415 / 3 / 50

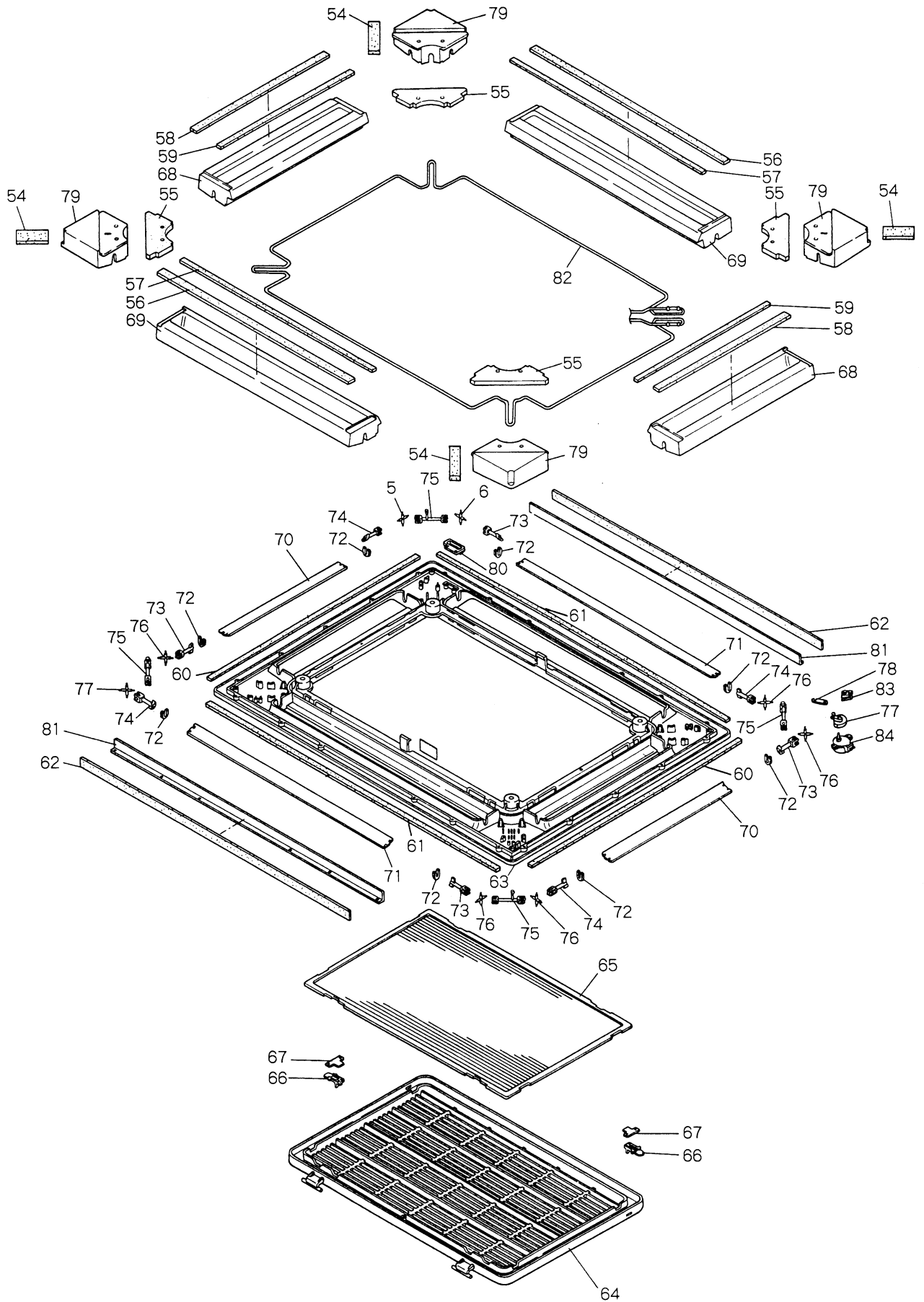
CONTENTS

■ EXPLODED VIEW	2
● Indoor Unit	
SPW-X363GH56	2
SPW-X483GH56	2
● Top Panel	
PNR-X483GHA	3
■ PARTS LIST	4
● Indoor Unit	
SPW-X363GH56	4, 5
SPW-X483GH56	4, 5
■ ELECTRIC WIRING DIAGRAM	6

**SPW-X363GH56
SPW-X483GH56
INDOOR UNIT**



**PNR-X483GHA
TOP PANEL**



ATTENTION !

To ensure correct parts supply, please let us know followings,
 when you make service parts order:

1. Part No. 2. Description 3. Q' ty 4. Volts-Hz-Ph 5. Product Model No.

Key No.	Part No.	Description	Q' ty	Reference No.
* 1	638 010 9630	Heat Exchanger Ass' y	1	854-0-4119-34400
* 2	623 101 8968	Strainer Ass' y	1	854-0-4522-13100
* 3	638 010 8251	Solenoid Control Valve	1	854-2-4548-11900
* 4	638 010 9647	Strainer Ass' y	1	854-0-4522-19300
* 5	638 010 9661	Drain Pan Ass' y (incl No.6)	1	854-0-2301-45900
* 6	638 010 9654	Drain Pan Ass' y	1	854-0-2301-45501
* 7	623 126 2606	Centrifugal Fan Ass' y	1	854-0-2501-21600
* 8	638 010 9074	P. C. B. Ass' y CR-X253GH	1	854-0-5178-09700
* 9	638 010 9678	Fan Motor Ass' y SFG6X-61A3P	1	854-0-5202-13100
* 10	638 003 6530	Fixed Capacitor UPMDD-440V/6.0MF	1	4-2239-56166
* 11	638 010 9098	Thermistor (Indoor Air) KTEC-35-S6	1	854-0-5259-11100
* 12	638 010 9135	Thermistor (Indoor Coil) PBC-41E-S36	1	854-0-5259-12000
* 13	638 010 9685	Thermistor (Indoor Coil) PBC-41E-S4	1	854-0-5259-17300
* 14	638 010 9128	Thermistor (Indoor Coil) PBC-41E-S25	1	854-0-5259-12900
* 15	638 010 9142	Transformer Ass' y ATR-11215TA	1	854-0-5263-05100
* 16	638 011 3378	Switch Ass' y FS-3502-204	1	854-0-5152-01700
17	638 011 0261	Cover Plate	1	854-2-2342-58700
18	638 011 0278	Support, Evaporator	2	854-2-2232-21400
19	638 010 9180	Cover Plate	1	854-2-2342-58800
20	638 010 9197	Hose Band	1	854-2-4294-12100
21	623 101 9132	Cap Rubber	1	854-2-4109-10200
22	638 010 9203	Cover Plate	1	854-2-2342-58500
23	638 010 9715	Mounting Plate Ass' y, Drain Pan	1	854-0-2314-15701
24	638 010 9722	Mounting Plate Ass' y, Drain Pan	1	854-0-2314-15801
25	638 010 9234	Guide	1	854-2-2352-14200
26	638 010 9241	Guide	1	854-2-2352-14300
27	638 010 9739	Air Guide	1	854-2-2519-13900
28	638 010 9265	Support Fan Motor	1	854-2-2516-28200
29	623 126 2613	Cushion Rubber	3	854-2-2534-15900
30	623 093 6508	Washer SPHC	3	3-9021-03100
31	638 011 1008	Ring Blower	1	854-2-2504-12500
32	623 126 2866	Square Washer	1	854-2-2328-10401
33	623 126 3856	Washer Special	1	854-2-1355-15201
34	638 010 9753	Cabinet Ass' y (incl No. 35)	1	854-0-1104-27700
35	638 010 9746	Cabinet Ass' y	1	854-0-1104-26700
36	638 010 9296	Mounting Parts Ass' y	2	854-0-1111-19201
37	638 010 9319	Mounting Parts Ass' y	1	854-0-1111-19301
38	638 010 9302	Mounting Parts Ass' y	1	854-0-1111-19401
39	638 010 9326	Joint Drain	1	854-2-2334-17300
40	623 101 8999	Drain Pipe Ass' y	1	854-0-4297-12900
41	638 010 9777	Mounting Plate (incl No. 42)	1	854-2-2361-27700
42	638 010 9760	Mounting Plate	1	854-2-2361-26200
43	623 129 3440	Mounting Parts Ass' y	1	854-0-1111-18300
44	638 011 3385	Elec. Component Box Ass' y	1	854-0-5301-68000
45	638 010 9364	Cover Plate	1	854-2-5304-44600
46	638 010 9371	Elec Wiring Diagram	1	854-2-5268-39800
47	638 011 0056	Magnetic Coil EKV-MOZS152B	1	1FJ-4-L8A0-02400
48	638 010 8183	Terminal Base	1	1FJ-4-J3A0-02200
49	638 010 9784	Drain Pump Ass' y WP20SL-21	1	854-0-5264-02100
50	638 004 9523	Cushion Rubber	3	854-2-2318-13800

NOTE: Metal and plastic parts will be supplied basically
 with necessary heat insulation pads or packing.
 Each key number with an asterisk (*) means the
 recommended service parts.

ATTENTION !

To ensure correct parts supply, please let us know followings,
 when you make service parts order:

1. Part No. 2. Description 3. Q' ty 4. Volts-Hz-Ph 5. Product Model No.

Key No.	Part No.	Description	Q' ty	Reference No.
51	638 010 9791	Capillary Tube	1	854-2-4231-89700
52	638 010 9807	Capillary Tube	1	854-2-4231-89800
53	638 010 9395	Operation Manual	1	854-6-4189-10900
54	638 010 9814	Panel Ass'y PNR-X483GHA (incl No. 55-)	1	859-344-70
55	638 010 9937	Insulation	4	854-2-1411-57500
56	638 010 9432	Insulation	4	854-2-1411-57800
57	638 010 9944	Insulation	2	854-2-1411-58300
58	638 010 9951	Insulation	2	854-2-1411-58400
59	638 010 9418	Insulation	2	854-2-1411-57600
60	638 010 9425	Insulation	2	854-2-1411-57700
61	638 010 9968	Insulation	2	854-2-1411-59300
62	638 010 9975	Insulation	2	854-2-1411-58900
63	638 010 9982	Insulation	2	854-2-1411-59200
64	638 010 9821	Top Panel	1	854-2-1112-33601
65	638 010 9838	Suction Grille	1	854-2-1104-16301
66	638 010 9845	Frame Filter Ass'y	1	854-0-1302-21601
67	638 010 9470	Hook	2	854-2-1347-12101
68	638 010 9487	Mounting Plate	2	854-2-2361-25201
69	638 010 9494	Insulation	2	854-2-1411-57301
70	638 010 9999	Insulation	2	854-2-1411-57401
71	638 010 9500	Blade Louver	2	854-2-1110-22301
72	638 010 9852	Blade Louver	2	854-2-1110-22401
73	638 010 9517	Support Louver	8	854-2-1111-24600
74	638 010 9524	Support Louver	4	854-2-1111-24701
75	638 010 9531	Support Louver	4	854-2-1111-24801
76	638 010 9548	Joint	3	854-2-1332-12300
77	623 104 6855	Joint	6	854-2-1332-10200
78	638 010 9555	Cam	1	854-2-2354-11000
79	638 010 9562	Joint	1	854-2-1332-12400
80	638 010 9579	Cover Plate	4	854-2-2307-15700
81	623 104 6084	Lamp Cover	1	854-2-1323-11401
82	638 010 9869	Mounting Plate	2	854-2-1309-22201
83	638 011 3354	Heater 240V, 31W	1	1FJ-4-H1D0-01300
* 84	638 010 8176	Switch AV39213	1	1FJ-4-S1Z0-01000
* 85	638 010 9586	Synchronized Motor M2LB24ZA12	1	528-0-5000-00203

NOTE: Metal and plastic parts will be supplied basically
 with necessary heat insulation pads or packing.
 Each key number with an asterisk (*) means the
 recommended service parts.

