



Parts List

FILE NO.

Air Conditioner

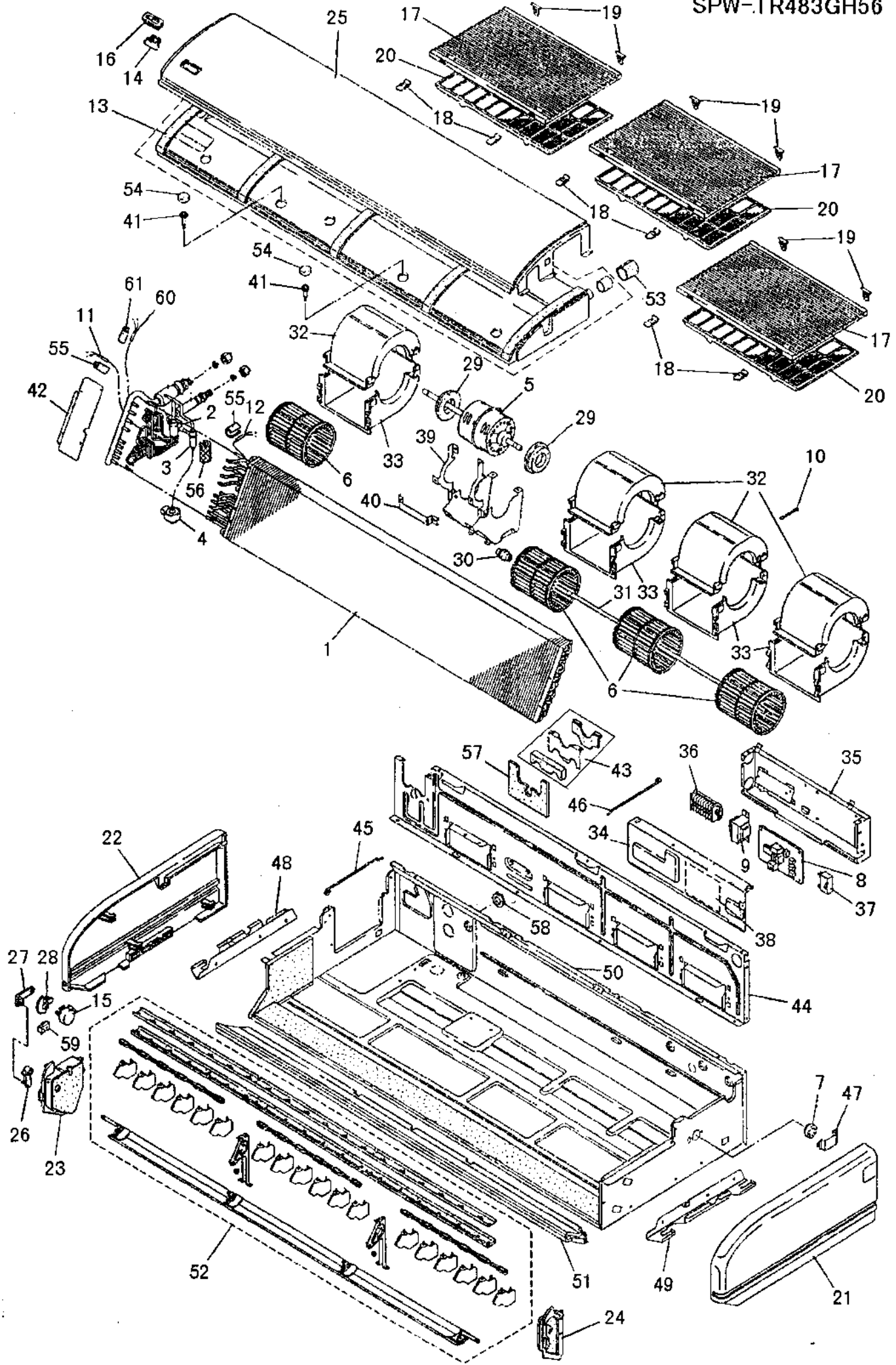
INDOOR UNIT

SPW-TR363GH56

SPW-TR483GH56

INDOOR UNIT		APPLICABLE OUTDOOR UNIT	VOLT / PHASE / Hz
MODEL No.	PR. CODE No.	MODEL No.	
SPW-TR363GH56	854 014 32	SPW-CR363/483/703/903GV8 SPW-CR363/483/703/903GVH8	IN : 220-240 / 1 / 50
SPW-TR483GH56	854 014 33	SPW-CR483/703/903GV8 SPW-CR483/703/903GVH8	OUT : 380-415 / 3 / 50

SPW-TR363GH56
SPW-TR483GH56



ATTENTION !

To ensure correct parts supply, please let us know followings,
when you make service parts order:

1.Part No. 2.Part Name 3.Specification 4.Q'ty 5.Volts-Hz-Ph 6.Products Model No.

Key No.	Part No.	Part Name	Specification	Q'ty	Reference No.
# 1	638 015 4395	HEAT EXCH ASSY		1	854-0-4119-58300
# 2	623 101 8968	STR ASSY		1	854-0-4522-13100
# 3	638 010 8251	SOL-CONTROL-VALVE	HKV-30D16	1	854-2-4548-11900
# 4	638 011 2784	MAGNETIC COIL	EKV-MOZS584E	1	1FJ-4-L8A0-02000
# 5	638 016 9542	FAN MOTOR K	KFG4X-101C6P	1	854-0-5202-22700
# 6	638 015 1479	BLO ASSY		4	854-0-2501-24100
# 7	623 094 4466	BEARING HOUSING ASSY		1	852-0-2510-12800
# 8	638 010 9074	P C B ASSY	CR-X253GH	1	854-0-5178-09700
# 9	638 016 9368	POWER TRANS K	ATR-11215TB	1	854-0-5263-11600
# 10	638 011 6751	THERMISTOR ASSY K	KTEC-35-S6	1	854-0-5259-11500
# 11	638 015 3725	THERMISTOR ASSY K	PBC-41E-S14	1	854-0-5259-26700
# 12	638 016 9559	THERMISTOR ASSY K	PBC-41E-S14	1	854-0-5259-26800
# 13	638 015 1721	DR PAN ASSY		1	854-9-9536-04098
# 14	638 015 0885	COV LAMP		1	854-2-1323-11415
# 15	638 008 2063	SYNCHRO MOTOR	MT8-3C	1	528-0-5000-00303
16	638 015 0878	PNL ORN		1	854-2-1308-28800
17	638 015 0632	GRILLE AIR IN		3	854-2-1104-16900
18	638 015 0847	PL HOOK (FRONT)		6	854-2-1130-23300
19	638 015 0724	PL HOOK (REAR)		6	854-2-1130-23400
20	638 014 6017	FRAME FILTER ASSY		3	854-0-1302-22900
21	638 015 1493	PNL SIDE		1	854-2-1102-55500
22	638 015 1509	PNL SIDE		1	854-2-1102-55600
23	638 015 1738	COV SIDE R ASSY		1	854-9-9536-04099
24	638 015 1745	COV SIDE L ASSY		1	854-9-9536-04100
25	638 015 1769	PNL FRONT ASSY		1	854-9-9536-04127
26	638 015 0922	SHAFT		1	854-2-1349-13900
27	638 015 0939	ROD		1	854-2-2329-12600
28	638 015 0946	CAM		1	854-2-2354-11100
29	638 015 1486	CUSHION RUB BLO		2	854-2-2534-17500
30	638 015 1523	BOSS ASSY		1	854-0-2513-11900
31	638 015 1530	SHAFT ASSY		1	854-0-2518-10900
32	638 015 0601	BLO CSG MAIN		4	854-2-2506-19100
33	638 015 0595	BLO CSG MAIN		4	854-2-2506-18900
34	638 015 2469	COV JB ASSY		1	854-0-5304-20600
35	638 016 9344	ELEC J-B ASSY		1	854-0-5301-74901
36	638 010 8183	TERMINAL BASE		1	1FJ-4-J3A0-02200
37	623 121 5145	FIXED CAPACITOR	UPMDD 440V 4.0MF	1	4-2239-56163
38	638 016 9337	ELEC WIRING DIAG		1	854-2-5268-66500
39	638 015 1585	SUPPORT MOT ASSY		1	854-0-2511-24201
40	638 015 1080	SUPPORT MOT		1	854-2-2516-29000
41	638 015 0953	SCREW SPECIAL		2	854-2-1356-15401
42	638 015 1561	PL MTG EVAP		1	854-2-2303-30800
43	638 015 1059	COV EVAP		1	854-2-2325-31301
44	638 015 1578	PL PTN BLO		1	854-2-2505-18700
45	638 015 1141	WIRE		1	854-2-1310-27401
46	638 015 1158	WIRE		1	854-2-1310-27501
47	638 015 1097	PL MTG		1	854-2-2361-36901
48	638 015 0618	PL HOOK		1	854-2-1130-23501
49	638 015 0625	PL HOOK		1	854-2-1130-23601
50	638 016 9566	CAB ASSY		1	854-0-1104-29900

NOTE: Metal and plastic parts will be supplied basically with necessary heat insulation pads or packing. Each key number with "#" means the recommended service parts.

ATTENTION !

To ensure correct parts supply, please let us know followings,
when you make service parts order:

1.Part No. 2.Part Name 3.Specification 4.Q'ty 5.Volts-Hz-Ph 6.Products Model No.

Key No.	Part No.	Part Name	Specification	Q'ty	Reference No.
# 1	638 015 4401	HEAT EXCH ASSY		1	854-0-4119-58400
# 2	623 101 8968	STR ASSY		1	854-0-4522-13100
# 3	638 010 8251	SOL-CONTROL-VALVE	HKV-30D16	1	854-2-4548-11900
# 4	638 011 2784	MAGNETIC COIL	EKV-MOZS584E	1	1FJ-4-L8A0-02000
# 5	638 016 9542	FAN MOTOR K	KFG4X-101C6P	1	854-0-5202-22700
# 6	638 015 1479	BLO ASSY		4	854-0-2501-24100
# 7	623 094 4466	BEARING HOUSING ASSY		1	852-0-2510-12800
# 8	638 010 9074	P C B ASSY	CR-X253GH	1	854-0-5178-09700
# 9	638 016 9368	POWER TRANS K	ATR-11215TB	1	854-0-5263-11600
# 10	638 011 6751	THERMISTOR ASSY K	KTEC-35-S6	1	854-0-5259-11500
# 11	638 015 3725	THERMISTOR ASSY K	PBC-41E-S14	1	854-0-5259-26700
# 12	638 016 9559	THERMISTOR ASSY K	PBC-41E-S14	1	854-0-5259-26800
# 13	638 015 1721	DR PAN ASSY		1	854-9-9536-04098
# 14	638 015 0885	COV LAMP		1	854-2-1323-11415
# 15	638 008 2063	SYNCHRO MOTOR	MT8-3C	1	528-0-5000-00303
16	638 015 0878	PNL ORN		1	854-2-1308-28800
17	638 015 0632	GRILLE AIR IN		3	854-2-1104-16900
18	638 015 0847	PL HOOK (FRONT)		6	854-2-1130-23300
19	638 015 0724	PL HOOK (REAR)		6	854-2-1130-23400
20	638 014 6017	FRAME FILTER ASSY		3	854-0-1302-22900
21	638 015 1493	PNL SIDE		1	854-2-1102-55500
22	638 015 1509	PNL SIDE		1	854-2-1102-55600
23	638 015 1738	COV SIDE R ASSY		1	854-9-9536-04099
24	638 015 1745	COV SIDE L ASSY		1	854-9-9536-04100
25	638 015 1769	PNL FRONT ASSY		1	854-9-9536-04127
26	638 015 0922	SHAFT		1	854-2-1349-13900
27	638 015 0939	ROD		1	854-2-2329-12600
28	638 015 0946	CAM		1	854-2-2354-11100
29	638 015 1486	CUSHION RUB BLO		2	854-2-2534-17500
30	638 015 1523	BOSS ASSY		1	854-0-2513-11900
31	638 015 1530	SHAFT ASSY		1	854-0-2518-10900
32	638 015 0601	BLO CSG MAIN		4	854-2-2506-19100
33	638 015 0595	BLO CSG MAIN		4	854-2-2506-18900
34	638 015 2469	COV JB ASSY		1	854-0-5304-20600
35	638 016 9344	ELEC J-B ASSY		1	854-0-5301-74901
36	638 010 8183	TERMINAL BASE		1	1FJ-4-J3A0-02200
37	638 003 6653	FIXED CAPACITOR	UPMDD 440V 5.0MF	1	4-2239-56165
38	638 016 9337	ELEC WIRING DIAG		1	854-2-5268-66500
39	638 015 1585	SUPPORT MOT ASSY		1	854-0-2511-24201
40	638 015 1080	SUPPORT MOT		1	854-2-2516-29000
41	638 015 0953	SCREW SPECIAL		2	854-2-1356-15401
42	638 015 1561	PL MTG EVAP		1	854-2-2303-30800
43	638 015 1059	COV EVAP		1	854-2-2325-31301
44	638 015 1578	PL PTN BLO		1	854-2-2505-18700
45	638 015 1141	WIRE		1	854-2-1310-27401
46	638 015 1158	WIRE		1	854-2-1310-27501
47	638 015 1097	PL MTG		1	854-2-2361-36901
48	638 015 0618	PL HOOK		1	854-2-1130-23501
49	638 015 0625	PL HOOK		1	854-2-1130-23601
50	638 016 9566	CAB ASSY		1	854-0-1104-29900

**NOTE: Metal and plastic parts will be supplied basically
with necessary heat insulation pads or packing.
Each key number with "#" means the
recommended service parts.**

