



Parts List

FILE NO.

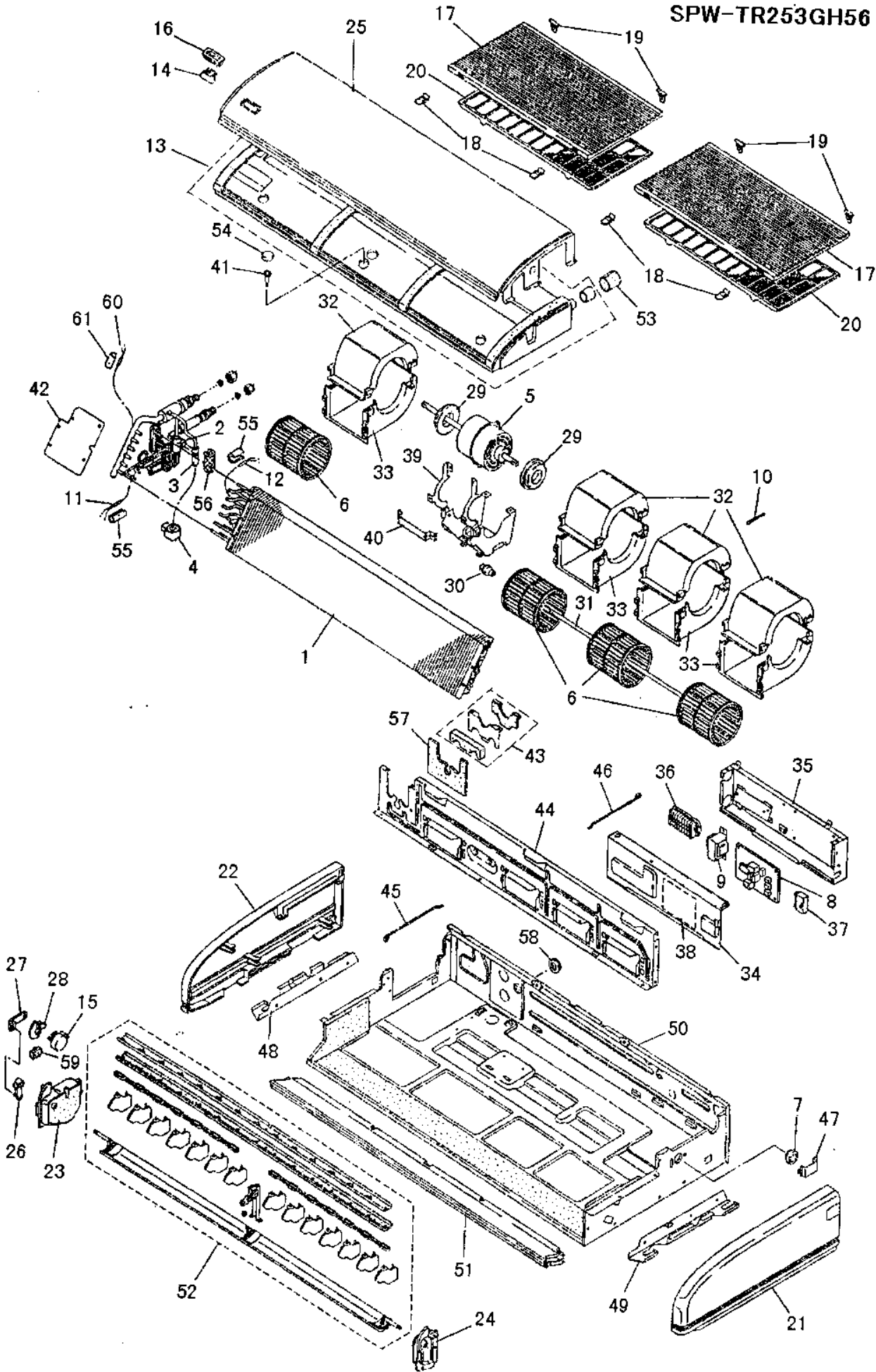
Air Conditioner

INDOOR UNIT

SPW-TR253GH56

| INDOOR UNIT | | APPLICABLE OUTDOOR UNIT | |
|---------------|--------------|---------------------------|------------------------|
| MODEL No. | PR. CODE No. | MODEL No. | VOLT / PHASE / Hz |
| SPW-TR253GH56 | 854 014 31 | SPW-CR363/483/703/903GV8 | IN : 220-240 / 1 / 50 |
| | | SPW-CR363/483/703/903GVH8 | OUT : 380-415 / 3 / 50 |

SPW-TR253GH56



ATTENTION !

To ensure correct parts supply, please let us know followings,
when you make service parts order:

1.Part No. 2.Part Name 3.Specification 4.Q'ty 5.Volts-Hz-Ph 6.Products Model No.

| Key No. | Part No. | Part Name | Specification | Q'ty | Reference No. |
|---------|--------------|----------------------|------------------|------|------------------|
| # 1 | 638 016 9429 | HEAT EXCH ASSY | | 1 | 854-0-4119-64300 |
| # 2 | 623 102 1982 | STR ASSY | | 1 | 854-0-4522-12900 |
| # 3 | 638 007 2682 | SOL CONTROL VALVE | 1KV-24D12 | 1 | 854-2-4548-11800 |
| # 4 | 638 011 2753 | MAGNETIC COIL | DKV-MOZS582E | 1 | 1FJ-4-L8A0-01900 |
| # 5 | 638 016 9436 | FAN MOTOR K | SR4X-51A6P | 1 | 854-0-5202-22600 |
| # 6 | 638 015 0823 | BLO ASSY | | 4 | 854-0-2501-24000 |
| # 7 | 623 094 4466 | BEARING HOUSING ASSY | | 1 | 852-0-2510-12800 |
| # 8 | 638 010 9074 | P C B ASSY | CR-X253GH | 1 | 854-0-5178-09700 |
| # 9 | 638 016 9368 | POWER TRANS K | ATR-11215TB | 1 | 854-0-5263-11600 |
| # 10 | 638 011 6751 | THERMISTOR ASSY K | KTEC-35-S6 | 1 | 854-0-5259-11500 |
| # 11 | 638 011 6331 | THERMISTOR ASSY K | PBC-41E-S14 | 1 | 854-0-5259-11900 |
| # 12 | 638 011 6355 | THERMISTOR ASSY K | PBC-41E-S14 | 1 | 854-0-5259-13800 |
| # 13 | 638 015 1202 | DR PAN ASSY | | 1 | 854-9-9536-04095 |
| # 14 | 638 015 0885 | COV LAMP | | 1 | 854-2-1323-11415 |
| # 15 | 638 008 2063 | SYNCHRO MOTOR | MT8-3C | 1 | 528-0-5000-00303 |
| 16 | 638 015 0878 | PNL ORN | | 1 | 854-2-1308-28800 |
| 17 | 638 015 0830 | GRILLE AIR IN | | 2 | 854-2-1104-16800 |
| 18 | 638 015 0847 | PL HOOK (FRONT) | | 4 | 854-2-1130-23300 |
| 19 | 638 015 0724 | PL HOOK (REAR) | | 4 | 854-2-1130-23400 |
| 20 | 638 014 6000 | FRAME FILTER ASSY | | 2 | 854-0-1302-22800 |
| 21 | 638 015 0854 | PNL SIDE | | 1 | 854-2-1102-55300 |
| 22 | 638 015 0861 | PNL SIDE | | 1 | 854-2-1102-55400 |
| 23 | 638 015 1219 | COV SIDE R ASSY | | 1 | 854-9-9536-04091 |
| 24 | 638 015 1226 | COV SIDE L ASSY | | 1 | 854-9-9536-04092 |
| 25 | 638 015 1240 | PNL FRONT ASSY | | 1 | 854-9-9536-04126 |
| 26 | 638 015 0922 | SHAFT | | 1 | 854-2-1349-13900 |
| 27 | 638 015 0939 | ROD | | 1 | 854-2-2329-12600 |
| 28 | 638 015 0946 | CAM | | 1 | 854-2-2354-11100 |
| 29 | 623 131 4206 | CUSHION RUB | | 2 | 852-2-2511-15900 |
| 30 | 638 015 0984 | BOSS ASSY | | 1 | 854-0-2513-11800 |
| 31 | 638 015 0991 | SHAFT ASSY | | 1 | 854-0-2518-10800 |
| 32 | 638 015 0960 | BLO CSG MAIN | | 4 | 854-2-2506-19000 |
| 33 | 638 015 0977 | BLO CSG MAIN | | 4 | 854-2-2506-18800 |
| 34 | 638 015 2469 | COV JB ASSY | | 1 | 854-0-5304-20600 |
| 35 | 638 016 9344 | ELEC J-B ASSY | | 1 | 854-0-5301-74901 |
| 36 | 638 010 8183 | TERMINAL BASE | | 1 | 1FJ-4-J3A0-02200 |
| 37 | 623 001 1618 | FIXED CAPACITOR | UPMDD 440V 1.5MF | 1 | 4-2239-56158 |
| 38 | 638 016 9337 | ELEC WIRING DIAG | | 1 | 854-2-5268-66500 |
| 39 | 638 015 1073 | SUPPORT MOT ASSY | | 1 | 854-0-2511-24101 |
| 40 | 638 015 1080 | SUPPORT MOT | | 1 | 854-2-2516-29000 |
| 41 | 638 015 0953 | SCREW SPECIAL | | 1 | 854-2-1356-15401 |
| 42 | 638 015 1042 | PL MTG EVAP | | 1 | 854-2-2303-30700 |
| 43 | 638 015 1059 | COV EVAP | | 1 | 854-2-2325-31301 |
| 44 | 638 015 1066 | PL PTN BLO | | 1 | 854-2-2505-18600 |
| 45 | 638 015 1141 | WIRE | | 1 | 854-2-1310-27401 |
| 46 | 638 015 1158 | WIRE | | 1 | 854-2-1310-27501 |
| 47 | 638 015 1097 | PL MTG | | 1 | 854-2-2361-36901 |
| 48 | 638 015 0618 | PL HOOK | | 1 | 854-2-1130-23501 |
| 49 | 638 015 0625 | PL HOOK | | 1 | 854-2-1130-23601 |
| 50 | 638 016 9443 | CAB ASSY | | 1 | 854-0-1104-29800 |

**NOTE: Metal and plastic parts will be supplied basically
with necessary heat insulation pads or packing.
Each key number with "#" means the
recommended service parts.**

