



Parts List

FILE NO.

Air Conditioner

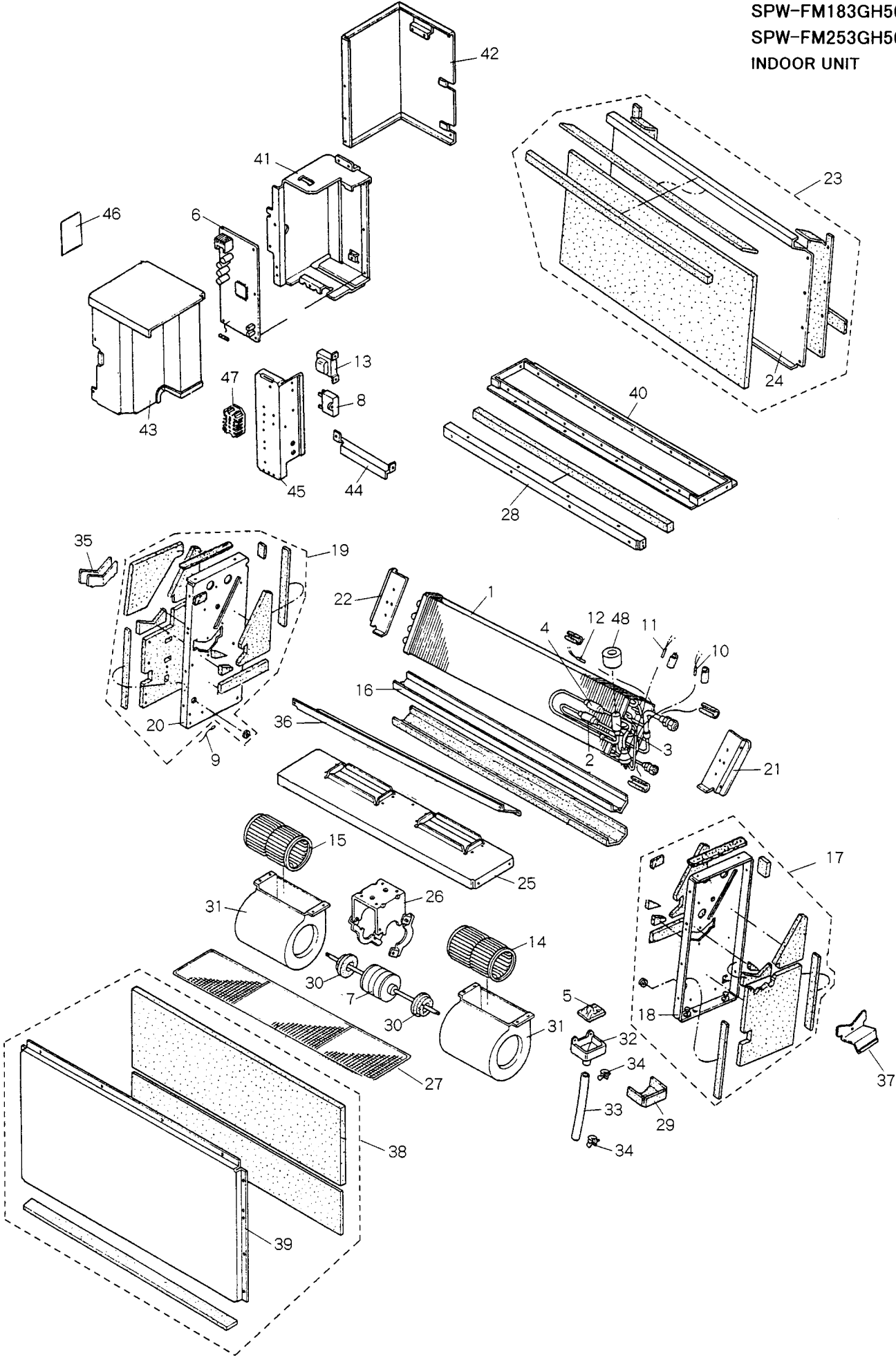
INDOOR UNIT

SPW-FM183GH56

SPW-FM253GH56

INDOOR UNIT		APPLICABLE OUTDOOR UNIT	VOLT / PHASE / Hz
MODEL No.	PR. CODE No.	MODEL No.	
SPW-FM183GH56	854 012 83	SPW-C483GY8	IN : 220-240 / 1 / 50
SPW-FM253GH56	854 012 84	SPW-C483GYH8	OUT : 380-415 / 3N / 50
		SPW-C703GY8	
		SPW-C703GYH8	
		SPW-C903GY8	
		SPW-C903GYH8	

SPW-FM183GH56
 SPW-FM253GH56
 INDOOR UNIT



ATTENTION !

To ensure correct parts supply, please let us know followings,
when you make service parts order:

1. Part No. 2. Description 3. Q' ty 4. Volts-Hz-Ph 5. Product Model No.

Key No.	Part No.	Description	Q' ty	Reference No.
* 1	638 012 3919	Heat Exchanger Ass'y	1	854-0-4119-38500
* 2	623 102 1982	Strainer Ass'y	1	854-0-4522-12900
* 3	638 007 2682	Solenoid Control Valve IKV-24D12	1	854-2-4548-11800
* 4	623 102 1951	Strainer Ass'y	1	854-0-4522-13000
* 5	623 099 0180	Strainer	1	343-2-2348-13400
* 6	638 010 9074	P. C. B. Ass'y CR-X253GH	1	854-0-5178-09700
* 7	638 012 2257	Fan Motor Ass'y KFG4Q-61C3P	1	854-0-5202-15400
* 8	623 096 2583	Fixed Capacitor 440V/2. OMF	1	4-2239-56159
* 9	638 011 6751	Thermistor (Indoor Air) KTEC-35-S6	1	854-0-5259-11500
* 10	638 012 3957	Thermistor (Indoor Coil) PBC-41E-S35	1	854-0-5259-12400
* 11	638 013 7619	Thermistor (Indoor Coil) PBC-41E-S35	1	854-0-5259-14200
* 12	638 012 2264	Thermistor (Indoor Coil) PBC-41E-S25	1	854-0-5259-13400
* 13	638 011 6775	Transformer Ass'y ATR-II215TB	1	854-0-5263-05400
* 14	623 005 2307	Centrifugal Fan Ass'y	1	343-0-2506-11100
* 15	623 005 2321	Centrifugal Fan Ass'y	1	343-0-2506-11400
* 16	623 099 2078	Drain Pan	1	343-2-2302-28101
17	638 013 7626	Frame Ass'y (incl No. 18)	1	854-0-2202-17100
18	623 113 6792	Frame Ass'y	1	854-0-2202-14801
19	638 013 7633	Frame Ass'y (incl No. 20)	1	854-0-2202-17200
20	623 113 6785	Frame Ass'y	1	854-0-2202-14701
21	623 113 6822	Mounting Plate, Evaporator	1	854-2-2303-26200
22	623 113 6839	Mounting Plate, Evaporator	1	854-2-2303-26300
23	638 013 7916	Rear Cover (incl No. 24)	1	343-2-2204-28400
24	623 114 7149	Rear Cover	1	343-2-2204-23501
25	623 113 7607	Partition Plate Ass'y	1	854-0-2516-16801
26	623 005 2444	Motor Base Ass'y	1	343-0-2511-11501
27	638 013 7657	Frame Filter Ass'y	1	854-0-1302-22700
28	623 114 7156	Angle	1	343-2-2306-39001
29	623 113 6990	Insulation, Drain Pan	1	343-2-2417-55200
30	623 103 5873	Cushion Rubber	2	854-2-2534-14800
31	623 005 2550	Fan Casing Ass'y	1	343-0-2513-10800
32	623 099 0364	Drain Pan Second	1	343-2-2304-10400
33	623 123 3477	Drain Hose	1	854-2-4297-13400
34	623 028 0229	Band Mounting	2	821-2-8206-10102
35	623 099 0340	Stopper	1	343-2-2338-11700
36	623 113 7614	Mounting Plate, Evaporator	1	854-2-2303-26601
37	638 009 9511	Mounting Plate	1	854-2-2361-23501
38	638 013 7930	Front Panel (incl No. 39)	1	343-2-1102-31400
39	623 114 7187	Front Panel	1	343-2-1102-25701
40	623 114 7132	Flange Supply Ass'y	1	343-0-1352-13201
41	638 013 7749	Elec. Component Box Ass'y	1	854-0-5301-67301
42	623 121 6265	Elec. Component Box Ass'y	1	854-0-5301-48200
43	623 121 6289	Cover Plate Ass'y	1	854-0-5304-12901
44	623 121 9846	Mounting Plate Ass'y	1	854-2-2208-26300
45	638 011 6836	Elec. Component Box Ass'y	1	854-0-5301-69101
46	638 013 7831	Elec Wiring Diagram	1	854-2-5268-55900
47	638 010 8183	Terminal Base	1	1FJ-4-J3A0-02200
48	638 010 7247	Magnetic Coil DKV-MOZS550E0	1	1FJ-4-L8A0-01000
49	638 010 9395	Operation Manual	1	854-6-4189-10900

NOTE: Metal and plastic parts will be supplied basically with necessary heat insulation pads or packing. Each key number with an asterisk (*) means the recommended service parts.

ATTENTION !

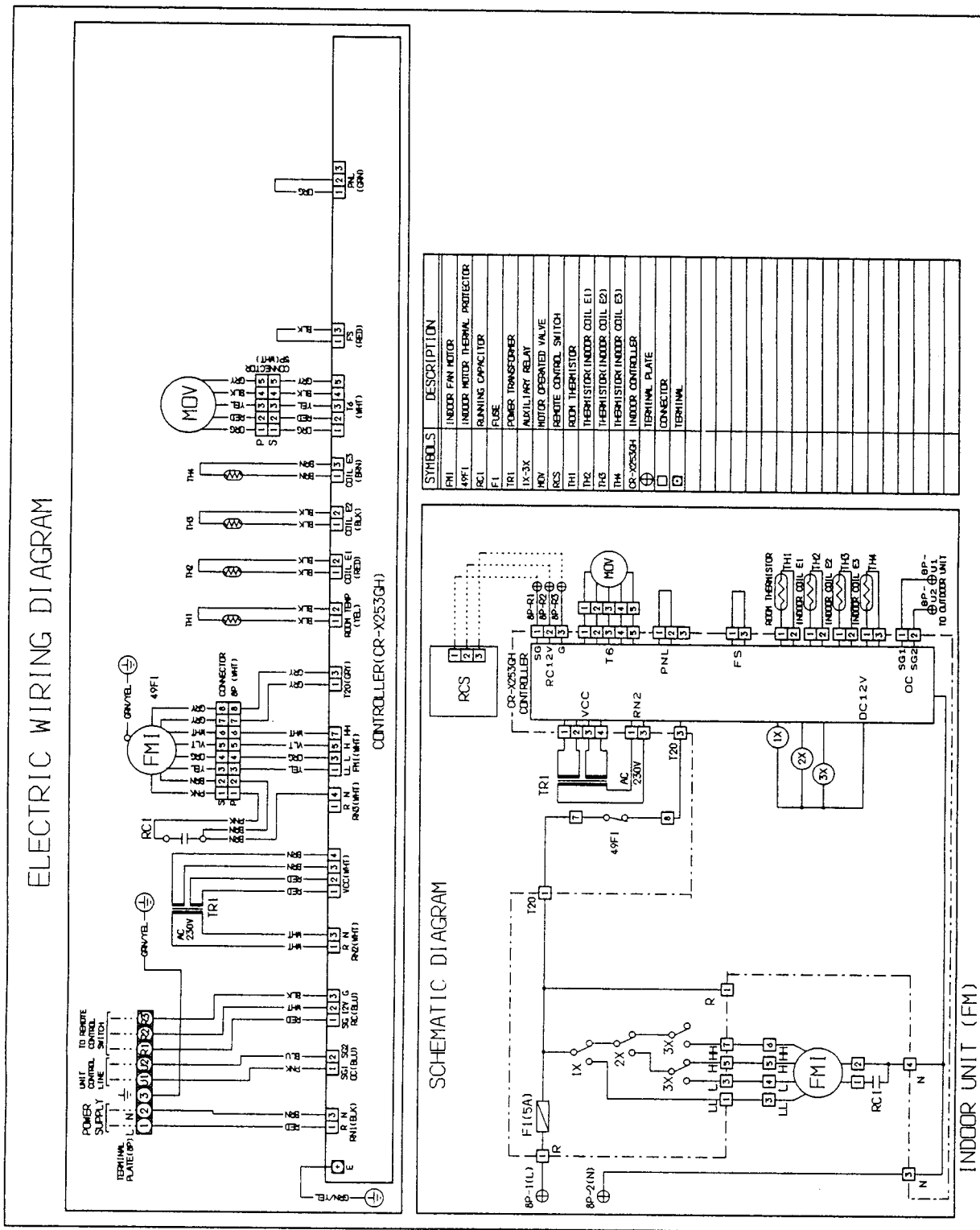
To ensure correct parts supply, please let us know followings,
when you make service parts order:

1. Part No. 2. Description 3. Q' ty 4. Volts-Hz-Ph 5. Product Model No.

Key No.	Part No.	Description	Q' ty	Reference No.
* 1	638 009 1454	Heat Exchanger Ass'y	1	854-0-4119-28700
* 2	623 102 1982	Strainer Ass'y	1	854-0-4522-12900
* 3	638 007 2682	Solenoid Control Valve IKV-24D12	1	854-2-4548-11800
* 4	623 102 1951	Strainer Ass'y	1	854-0-4522-13000
* 5	623 099 0180	Strainer	1	343-2-2348-13400
* 6	638 010 9074	P. C. B. Ass'y CR-X253GH	1	854-0-5178-09700
* 7	638 012 2257	Fan Motor Ass'y KFG4Q-61C3P	1	854-0-5202-15400
* 8	623 094 3339	Fixed Capacitor 440V/3.5MF	1	4-2239-56162
* 9	638 011 6751	Thermistor (Indoor Air) KTEC-35-S6	1	854-0-5259-11500
* 10	638 012 3957	Thermistor (Indoor Coil) PBC-41E-S35	1	854-0-5259-12400
* 11	638 013 7619	Thermistor (Indoor Coil) PBC-41E-S35	1	854-0-5259-14200
* 12	638 012 2264	Thermistor (Indoor Coil) PBC-41E-S25	1	854-0-5259-13400
* 13	638 011 6775	Transformer Ass'y ATR-11215TB	1	854-0-5263-05400
* 14	623 005 2307	Centrifugal Fan Ass'y	1	343-0-2506-11100
* 15	623 005 2321	Centrifugal Fan Ass'y	1	343-0-2506-11400
* 16	623 099 2078	Drain Pan	1	343-2-2302-28101
17	638 013 7626	Frame Ass'y (incl No.18)	1	854-0-2202-17100
18	623 113 6792	Frame Ass'y	1	854-0-2202-14801
19	638 013 7633	Frame Ass'y (incl No.20)	1	854-0-2202-17200
20	623 113 6785	Frame Ass'y	1	854-0-2202-14701
21	623 113 6822	Mounting Plate, Evaporator	1	854-2-2303-26200
22	623 113 6839	Mounting Plate, Evaporator	1	854-2-2303-26300
23	638 013 7916	Rear Cover (incl No.24)	1	343-2-2204-28400
24	623 114 7149	Rear Cover	1	343-2-2204-23501
25	623 113 7607	Partition Plate Ass'y	1	854-0-2516-16801
26	623 005 2444	Motor Base Ass'y	1	343-0-2511-11501
27	638 013 7657	Frame Filter Ass'y	1	854-0-1302-22700
28	623 114 7156	Angle	1	343-2-2306-39001
29	623 113 6990	Insulation, Drain Pan	1	343-2-2417-55200
30	623 103 5873	Cushion Rubber	2	854-2-2534-14800
31	623 005 2550	Fan Casing Ass'y	1	343-0-2513-10800
32	623 099 0364	Drain Pan Second	1	343-2-2304-10400
33	623 123 3477	Drain Hose	1	854-2-4297-13400
34	623 028 0229	Band Mounting	2	821-2-8206-10102
35	623 099 0340	Stopper	1	343-2-2338-11700
36	623 113 7614	Mounting Plate, Evaporator	1	854-2-2303-26601
37	638 009 9511	Mounting Plate	1	854-2-2361-23501
38	638 013 7930	Front Panel (incl No.39)	1	343-2-1102-31400
39	623 114 7187	Front Panel	1	343-2-1102-25701
40	623 114 7132	Flange Supply Ass'y	1	343-0-1352-13201
41	638 013 7749	Elec. Component Box Ass'y	1	854-0-5301-67301
42	623 121 6265	Elec. Component Box Ass'y	1	854-0-5301-48200
43	623 121 6289	Cover Plate Ass'y	1	854-0-5304-12901
44	623 121 9846	Mounting Plate Ass'y	1	854-2-2208-26300
45	638 011 6836	Elec. Component Box Ass'y	1	854-0-5301-69101
46	638 013 7831	Elec Wiring Diagram	1	854-2-5268-55900
47	638 010 8183	Terminal Base	1	1FJ-4-J3A0-02200
48	638 010 7247	Magnetic Coil DKV-MOZS550E0	1	1FJ-4-L8A0-01000
49	638 010 9395	Operation Manual	1	854-6-4189-10900

NOTE: Metal and plastic parts will be supplied basically
with necessary heat insulation pads or packing.
Each key number with an asterisk (*) means the
recommended service parts.

ELECTRIC WIRING DIAGRAM



SANYO

SANYO Electric Co., Ltd.
Osaka, Japan

T0997 Ⓐ 300 Printed in Japan