



Parts List

FILE NO.

Air Conditioner

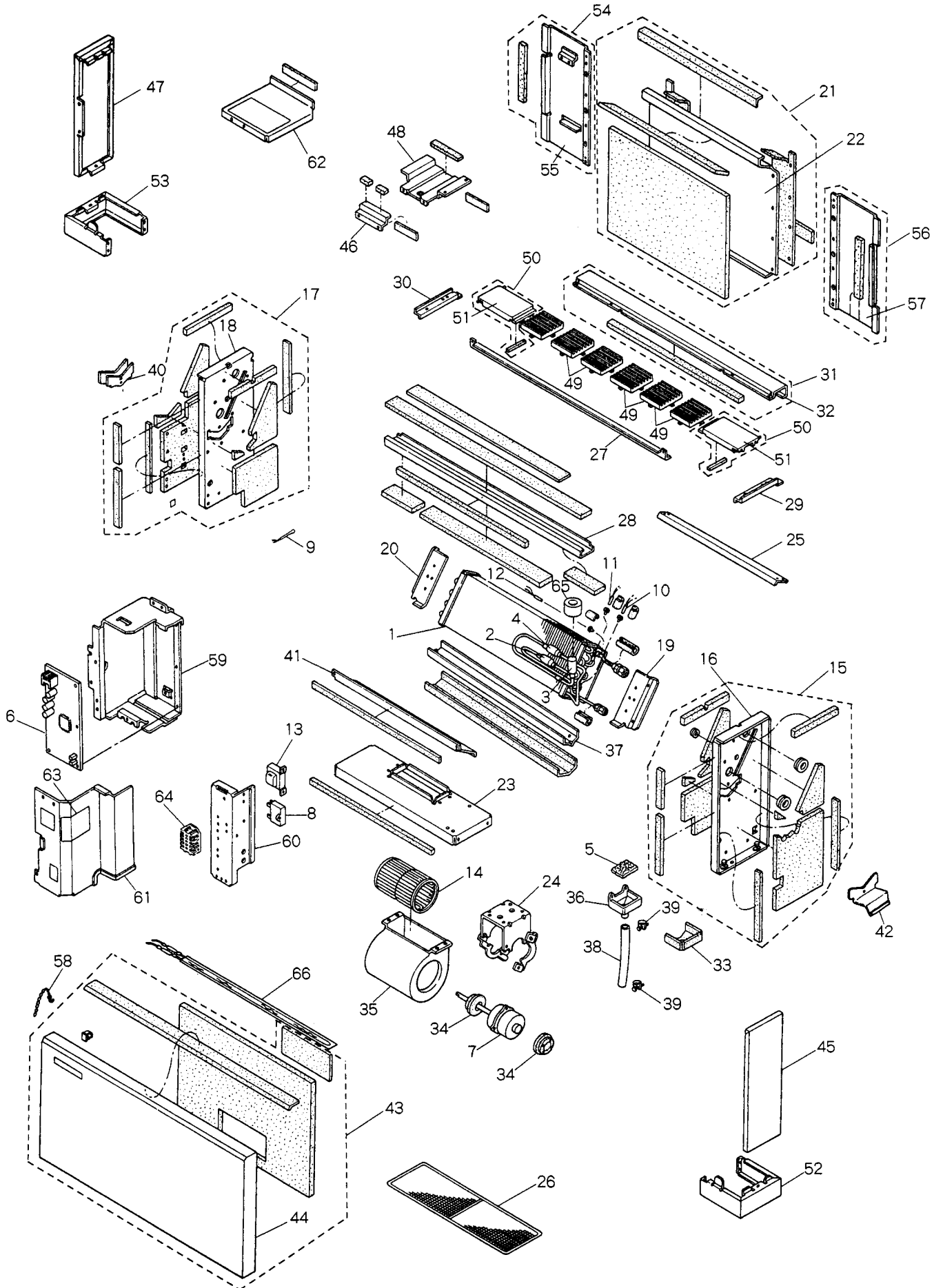
INDOOR UNIT

SPW-F93GH56

SPW-F123GH56

INDOOR UNIT		APPLICABLE OUTDOOR UNIT	VOLT / PHASE / Hz
MODEL No.	PR. CODE No.	MODEL No.	
SPW-F93GH56	854 012 77	SPW-C483GY8	IN : 220-240 / 1 / 50
SPW-F123GH56	854 012 78	SPW-C483GYH8	OUT : 380-415 / 3N / 50
		SPW-C703GY8	
		SPW-C703GYH8	
		SPW-C903GY8	
		SPW-C903GYH8	

**SPW-F93GH56
SPW-F123GH56
INDOOR UNIT**



ATTENTION !

To ensure correct parts supply, please let us know followings,
when you make service parts order:

1. Part No. 2. Description 3. Q' ty 4. Volts-Hz-Ph 5. Product Model No.

Key No.	Part No.	Description	Q' ty	Reference No.
* 1	638 012 2196	Heat Exchanger Ass'y	1	854-0-4119-38300
* 2	623 102 1982	Strainer Ass'y	1	854-0-4522-12900
* 3	638 007 2682	Solenoid Control Valve IKV-24D12	1	854-2-4548-11800
* 4	623 102 1951	Strainer Ass'y	1	854-0-4522-13000
* 5	623 099 0180	Strainer	1	343-2-2348-13400
* 6	638 010 9074	P. C. B. Ass'y CR-X253GH	1	854-0-5178-09700
* 7	638 012 2219	Fan Motor Ass'y KFT6Q-11A3P	1	854-0-5202-15000
* 8	638 011 0148	Fixed Capacitor 440V/1.0MF	1	4-2239-57220
* 9	638 011 6751	Thermistor (Indoor Air) KTEC-35-S6	1	854-0-5259-11500
* 10	638 012 2141	Thermistor (Indoor Coil) PBC-41E-S35	1	854-0-5259-12300
* 11	638 013 7800	Thermistor (Indoor Coil) PBC-41E-S35	1	854-0-5259-14100
* 12	638 012 2165	Thermistor (Indoor Coil) PBC-41E-S25	1	854-0-5259-13300
* 13	638 011 6775	Transformer Ass'y ATR-II215TB	1	854-0-5263-05400
* 14	623 005 2314	Centrifugal Fan Ass'y	1	343-0-2506-11300
15	638 013 7626	Frame Ass'y (incl No. 16)	1	854-0-2202-17100
16	623 113 6792	Frame Ass'y	1	854-0-2202-14801
17	638 013 7633	Frame Ass'y (incl No. 18)	1	854-0-2202-17200
18	623 113 6785	Frame Ass'y	1	854-0-2202-14701
19	623 113 6822	Mounting Plate, Evaporator	1	854-2-2303-26200
20	623 113 6839	Mounting Plate, Evaporator	1	854-2-2303-26300
21	638 013 7862	Rear Cover (incl No. 22)	1	343-2-2204-28100
22	623 099 0951	Rear Cover	1	343-2-2204-22701
23	623 113 6846	Partition Plate Ass'y	1	854-0-2516-16601
24	623 005 2451	Motor Base Ass'y	1	343-0-2511-11601
25	623 113 7096	Mounting Plate Ass'y	1	854-2-2208-25501
26	638 013 7824	Frame Filter Ass'y	1	854-0-1302-22600
27	623 132 8050	Angle Flange	1	854-2-2306-23601
28	623 132 8067	Angle Flange	1	854-2-2306-23101
29	623 099 0630	Angle	1	343-2-2306-36301
30	623 099 0647	Angle	1	343-2-2306-36401
31	638 013 7879	Angle (incl No. 32)	1	343-2-2306-45700
32	623 113 7157	Angle	1	343-2-2306-36602
33	623 113 6990	Insulation, Drain Pan	1	343-2-2417-55200
34	623 007 2800	Cushion Rubber	2	343-2-2522-10800
35	623 005 2550	Fan Casing Ass'y	1	343-0-2513-10800
36	623 099 0364	Drain Pan Second	1	343-2-2304-10400
* 37	623 099 1057	Drain Pan	1	343-2-2302-27901
38	623 123 3477	Drain Hose	1	854-2-4297-13400
39	623 028 0229	Band Mounting	2	821-2-8206-10102
40	623 099 0340	Stopper	1	343-2-2338-11700
41	623 113 6853	Mounting Plate, Evaporator	1	854-2-2303-26401
42	638 009 9511	Mounting Plate	1	854-2-2361-23501
43	638 013 7886	Front Panel Ass'y (incl No. 44)	1	854-0-1101-50000
44	638 013 7893	Front Panel Ass'y	1	854-0-1101-48501
45	623 099 0234	Side Panel	1	343-2-1103-15201
46	623 132 7992	Mounting Plate	1	854-2-1129-77801
47	623 113 6693	Side Panel	1	854-2-1102-41801
48	623 132 7978	Mounting Plate	1	854-2-1129-77901
49	623 113 6662	Grill Supply	6	343-2-1503-10602
50	638 013 7695	Cover, Switch (incl No. 51)	2	343-2-1116-10900

NOTE: Metal and plastic parts will be supplied basically
with necessary heat insulation pads or packing.
Each key number with an asterisk (*) means the
recommended service parts.

ATTENTION !

To ensure correct parts supply, please let us know followings,
when you make service parts order:

1. Part No. 2. Description 3. Q' ty 4. Volts-Hz-Ph 5. Product Model No.

Key No.	Part No.	Description	Q' ty	Reference No.
51	623 099 0210	Cover, Switch	2	343-2-1116-10600
52	623 099 0654	Base	1	343-2-2309-12001
53	638 013 7701	Bottom Plate	1	854-2-2227-38101
54	638 013 7725	Rear Panel Ass'y (incl No. 55)	1	854-0-1103-19800
55	638 013 7718	Rear Panel Ass'y	1	854-0-1103-15001
56	638 013 7732	Rear Panel (incl No. 57)	1	854-2-1103-26600
57	623 113 6716	Rear Panel	1	854-2-1103-20000
58	623 066 8584	Mounting Parts Ass'y	1	854-0-1111-14100
59	638 013 7749	Elec. Component Box Ass'y	1	854-0-5301-67301
60	638 011 6836	Elec. Component Box Ass'y	1	854-0-5301-69101
61	638 011 6843	Cover Plate	1	854-2-5304-46001
62	623 113 6914	Cover Plate	1	854-2-5304-35000
63	638 013 7756	Elec Wiring Diagram	1	854-2-5268-55800
64	638 010 8183	Terminal Base	1	1FJ-4-J3A0-02200
65	638 010 7247	Magnetic Coil DKV-MOZS550E0	1	1FJ-4-L8A0-01000
66	638 013 7909	Heater Ass'y 240V, 6W	1	854-0-5255-05100
67	638 010 9395	Operation Manual	1	854-6-4189-10900

NOTE: Metal and plastic parts will be supplied basically
with necessary heat insulation pads or packing.
Each key number with an asterisk (*) means the
recommended service parts.

ATTENTION !

To ensure correct parts supply, please let us know followings,

when you make service parts order:

1. Part No. 2. Description 3. Q' ty 4. Volts-Hz-Ph 5. Product Model No.

Key No.	Part No.	Description	Q' ty	Reference No.
* 1	638 012 2196	Heat Exchanger Ass'y	1	854-0-4119-38300
* 2	623 102 1982	Strainer Ass'y	1	854-0-4522-12900
* 3	638 007 2682	Solenoid Control Valve IKV-24D12	1	854-2-4548-11800
* 4	623 102 1951	Strainer Ass'y	1	854-0-4522-13000
* 5	623 099 0180	Strainer	1	343-2-2348-13400
* 6	638 010 9074	P. C. B. Ass'y CR-X253GH	1	854-0-5178-09700
* 7	638 012 2226	Fan Motor Ass'y KFT4Q-21B3P	1	854-0-5202-15100
* 8	623 096 2583	Fixed Capacitor 440V/2.0MF	1	4-2239-56159
* 9	638 011 6751	Thermistor (Indoor Air) KTEC-35-S6	1	854-0-5259-11500
* 10	638 012 2141	Thermistor (Indoor Coil) PBC-41E-S35	1	854-0-5259-12300
* 11	638 013 7800	Thermistor (Indoor Coil) PBC-41E-S35	1	854-0-5259-14100
* 12	638 012 2165	Thermistor (Indoor Coil) PBC-41E-S25	1	854-0-5259-13300
* 13	638 011 6775	Transformer Ass'y ATR-11215TB	1	854-0-5263-05400
* 14	623 005 2314	Centrifugal Fan Ass'y	1	343-0-2506-11300
15	638 013 7626	Frame Ass'y (incl No. 16)	1	854-0-2202-17100
16	623 113 6792	Frame Ass'y	1	854-0-2202-14801
17	638 013 7633	Frame Ass'y (incl No. 18)	1	854-0-2202-17200
18	623 113 6785	Frame Ass'y	1	854-0-2202-14701
19	623 113 6822	Mounting Plate, Evaporator	1	854-2-2303-26200
20	623 113 6839	Mounting Plate, Evaporator	1	854-2-2303-26300
21	638 013 7862	Rear Cover (incl No. 22)	1	343-2-2204-28100
22	623 099 0951	Rear Cover	1	343-2-2204-22701
23	623 113 6846	Partition Plate Ass'y	1	854-0-2516-16601
24	623 005 2451	Motor Base Ass'y	1	343-0-2511-11601
25	623 113 7096	Mounting Plate Ass'y	1	854-2-2208-25501
26	638 013 7824	Frame Filter Ass'y	1	854-0-1302-22600
27	623 132 8050	Angle Flange	1	854-2-2306-23601
28	623 132 8067	Angle Flange	1	854-2-2306-23101
29	623 099 0630	Angle	1	343-2-2306-36301
30	623 099 0647	Angle	1	343-2-2306-36401
31	638 013 7879	Angle (incl No. 32)	1	343-2-2306-45700
32	623 113 7157	Angle	1	343-2-2306-36602
33	623 113 6990	Insulation, Drain Pan	1	343-2-2417-55200
34	623 007 2800	Cushion Rubber	2	343-2-2522-10800
35	623 005 2550	Fan Casing Ass'y	1	343-0-2513-10800
36	623 099 0364	Drain Pan Second	1	343-2-2304-10400
* 37	623 099 1057	Drain Pan	1	343-2-2302-27901
38	623 123 3477	Drain Hose	1	854-2-4297-13400
39	623 028 0229	Band Mounting	2	821-2-8206-10102
40	623 099 0340	Stopper	1	343-2-2338-11700
41	623 113 6853	Mounting Plate, Evaporator	1	854-2-2303-26401
42	638 009 9511	Mounting Plate	1	854-2-2361-23501
43	638 013 7886	Front Panel Ass'y (incl No. 44)	1	854-0-1101-50000
44	638 013 7893	Front Panel Ass'y	1	854-0-1101-48501
45	623 099 0234	Side Panel	1	343-2-1103-15201
46	623 132 7992	Mounting Plate	1	854-2-1129-77801
47	623 113 6693	Side Panel	1	854-2-1102-41801
48	623 132 7978	Mounting Plate	1	854-2-1129-77901
49	623 113 6662	Grill Supply	6	343-2-1503-10602
50	638 013 7695	Cover, Switch (incl No. 51)	2	343-2-1116-10900

NOTE: Metal and plastic parts will be supplied basically with necessary heat insulation pads or packing. Each key number with an asterisk (*) means the recommended service parts.

ATTENTION !

To ensure correct parts supply, please let us know followings,
when you make service parts order:

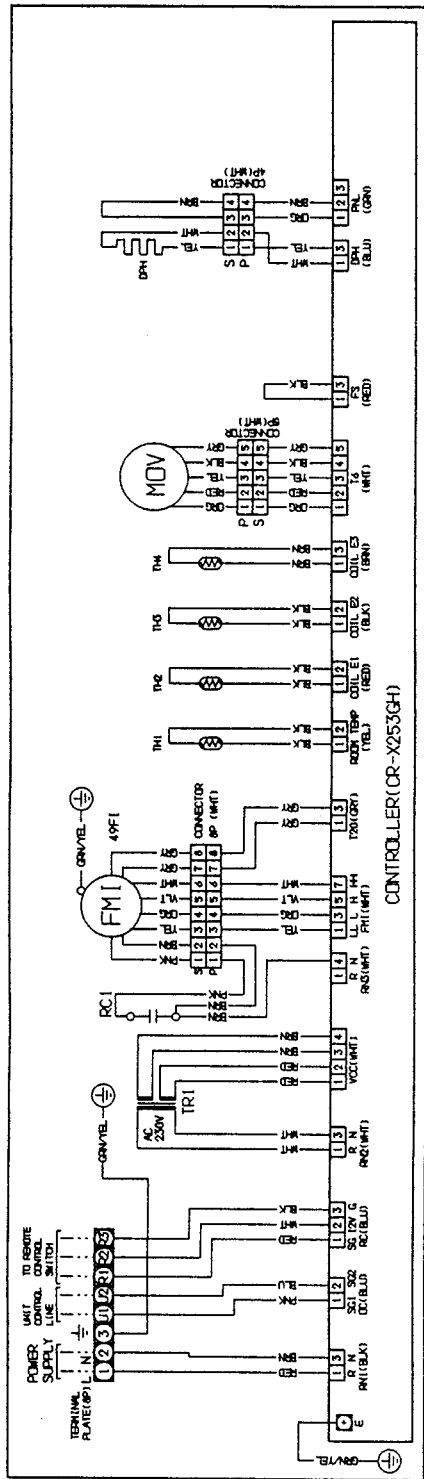
1. Part No. 2. Description 3. Q' ty 4. Volts-Hz-Ph 5. Product Model No.

Key No.	Part No.	Description	Q' ty	Reference No.
51	623 099 0210	Cover, Switch	2	343-2-1116-10600
52	623 099 0654	Base	1	343-2-2309-12001
53	638 013 7701	Bottom Plate	1	854-2-2227-38101
54	638 013 7725	Rear Panel Ass'y (incl No. 55)	1	854-0-1103-19800
55	638 013 7718	Rear Panel Ass'y	1	854-0-1103-15001
56	638 013 7732	Rear Panel (incl No. 57)	1	854-2-1103-26600
57	623 113 6716	Rear Panel	1	854-2-1103-20000
58	623 066 8584	Mounting Parts Ass'y	1	854-0-1111-14100
59	638 013 7749	Elec. Component Box Ass'y	1	854-0-5301-67301
60	638 011 6836	Elec. Component Box Ass'y	1	854-0-5301-69101
61	638 011 6843	Cover Plate	1	854-2-5304-46001
62	623 113 6914	Cover Plate	1	854-2-5304-35000
63	638 013 7756	Elec Wiring Diagram	1	854-2-5268-55800
64	638 010 8183	Terminal Base	1	1FJ-4-J3A0-02200
65	638 010 7247	Magnetic Coil DKV-MOZS550E0	1	1FJ-4-L8A0-01000
66	638 013 7909	Heater Ass'y 240V, 6W	1	854-0-5255-05100
67	638 010 9395	Operation Manual	1	854-6-4189-10900

NOTE: Metal and plastic parts will be supplied basically
with necessary heat insulation pads or packing.
Each key number with an asterisk (*) means the
recommended service parts.

ELECTRIC WIRING DIAGRAM

ELECTRIC WIRING DIAGRAM



SYMBOLS	DESCRIPTION
FMI	INDOOR FAN MOTOR
49F1	INDOOR MOTOR THERMAL PROTECTOR
RC1	RUNNING CAPACITOR
F1	FUSE
TR1	POWER TRANSFORMER
IX-3X	AUXILIARY RELAY
RC2	AUXILIARY RELAY
MOV	MOTOR OPERATED VALVE
RCS	REMOTE CONTROL SWITCH
TH1	ROOM THERMISTOR
TH2	THERMISTOR (INDOOR COIL E1)
TH3	THERMISTOR (INDOOR COIL E2)
TH4	THERMISTOR (INDOOR COIL E3)
CR-X253GH	INDOOR CONTROLLER
□	TERMINAL PLATE
○	CONNECTOR
DPH	DEW PROOF HEATER

