



Parts List

FILE NO.

Air Conditioner

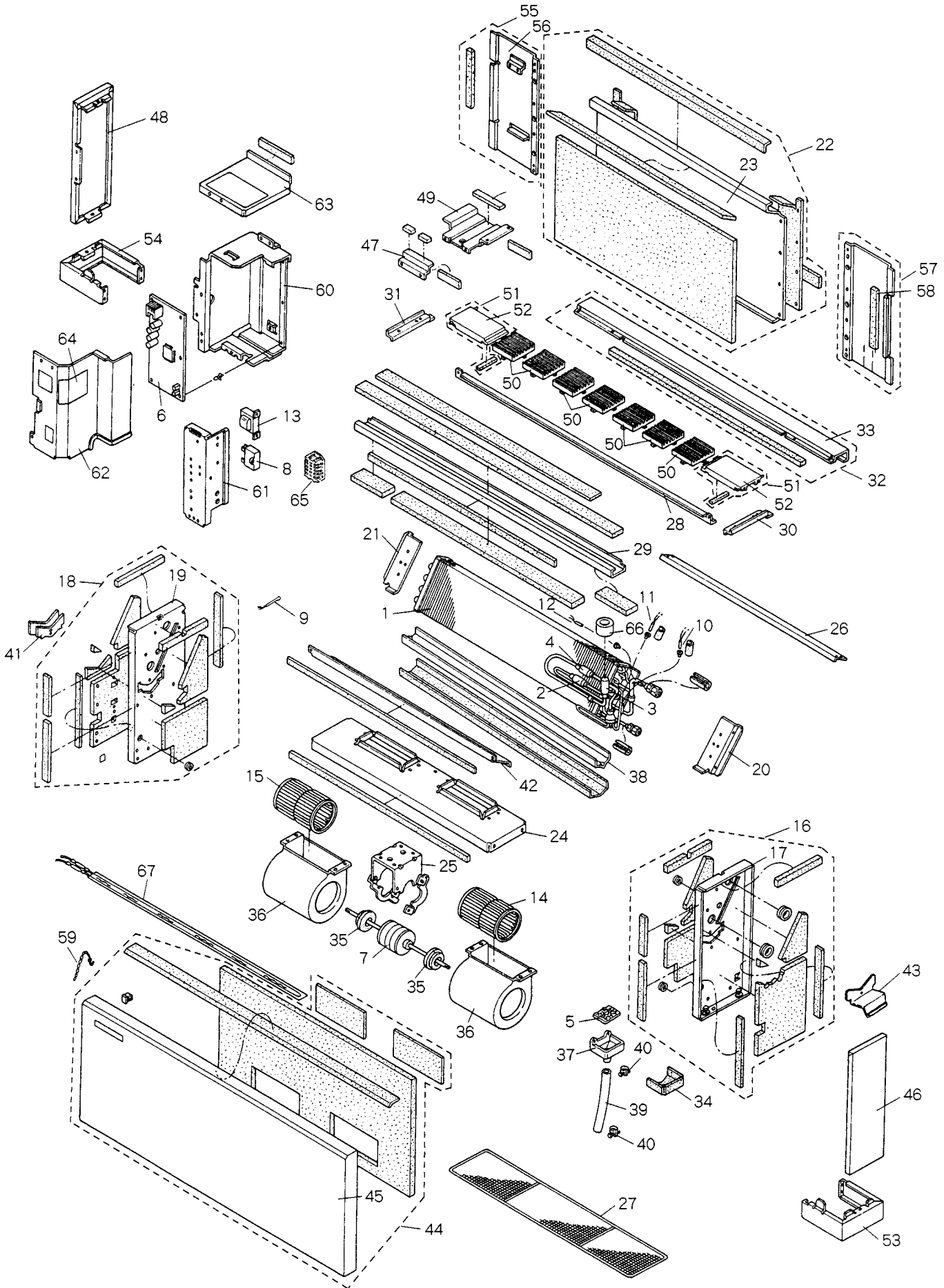
INDOOR UNIT

SPW-F183GH56

SPW-F253GH56

INDOOR UNIT		APPLICABLE OUTDOOR UNIT	VOLT / PHASE / Hz
MODEL No.	PR. CODE No.	MODEL No.	
SPW-F183GH56	854 012 79	SPW-C483GY8	IN : 220-240 / 1 / 50 OUT : 380-415 / 3N / 50
SPW-F253GH56	854 012 80	SPW-C483GYH8	
		SPW-C703GY8	
		SPW-C703GYH8	
		SPW-C903GY8	
		SPW-C903GYH8	

**SPW-F183GH56
SPW-F253GH56
INDOOR UNIT**



ATTENTION !

To ensure correct parts supply, please let us know followings,
when you make service parts order:

1. Part No. 2. Description 3. Q' ty 4. Volts-Hz-Ph 5. Product Model No.

Key No.	Part No.	Description	Q' ty	Reference No.
* 1	638 012 3919	Heat Exchanger Ass'y	1	854-0-4119-38500
* 2	623 102 1982	Strainer Ass'y	1	854-0-4522-12900
* 3	638 007 2682	Solenoid Control Valve IKV-24D12	1	854-2-4548-11800
* 4	623 102 1951	Strainer Ass'y	1	854-0-4522-13000
* 5	623 099 0180	Strainer	1	343-2-2348-13400
* 6	638 010 9074	P. C. B. Ass'y CR-X253GH	1	854-0-5178-09700
* 7	638 012 2257	Fan Motor Ass'y KFG4Q-61C3P	1	854-0-5202-15400
* 8	623 096 2583	Fixed Capacitor 440V/2.0MF	1	4-2239-56159
* 9	638 011 6751	Thermistor (Indoor Air) KTEC-35-S6	1	854-0-5259-11500
* 10	638 012 3957	Thermistor (Indoor Coil) PBC-41E-S35	1	854-0-5259-12400
* 11	638 013 7619	Thermistor (Indoor Coil) PBC-41E-S35	1	854-0-5259-14200
* 12	638 012 2264	Thermistor (Indoor Coil) PBC-41E-S25	1	854-0-5259-13400
* 13	638 011 6775	Transformer Ass'y ATR-11215TB	1	854-0-5263-05400
* 14	623 005 2314	Centrifugal Fan Ass'y	1	343-0-2506-11300
* 15	623 005 2321	Centrifugal Fan Ass'y	1	343-0-2506-11400
16	638 013 7626	Frame Ass'y (incl No.17)	1	854-0-2202-17100
17	623 113 6792	Frame Ass'y	1	854-0-2202-14801
18	638 013 7633	Frame Ass'y (incl No.19)	1	854-0-2202-17200
19	623 113 6785	Frame Ass'y	1	854-0-2202-14701
20	623 113 6822	Mounting Plate, Evaporator	1	854-2-2303-26200
21	623 113 6839	Mounting Plate, Evaporator	1	854-2-2303-26300
22	638 013 7640	Rear Cover (incl No.23)	1	343-2-2204-28200
23	623 099 1989	Rear Cover	1	343-2-2204-22901
24	623 113 7607	Partition Plate Ass'y	1	854-0-2516-16801
25	623 005 2444	Motor Base Ass'y	1	343-0-2511-11501
26	623 113 7638	Mounting Plate Ass'y	1	854-2-2208-25701
27	638 013 7657	Frame Filter Ass'y	1	854-0-1302-22700
28	638 003 7131	Angle Flange	1	854-2-2306-23801
29	638 003 7148	Angle Flange	1	854-2-2306-23301
30	623 099 0630	Angle	1	343-2-2306-36301
31	623 099 0647	Angle	1	343-2-2306-36401
32	638 013 7664	Angle (incl No.33)	1	343-2-2306-45800
33	623 113 7652	Angle	1	343-2-2306-36802
34	623 113 6990	Insulation, Drain Pan	1	343-2-2417-55200
35	623 103 5873	Cushion Rubber	2	854-2-2534-14800
36	623 005 2550	Fan Casing Ass'y	1	343-0-2513-10800
37	623 099 0364	Drain Pan Second	1	343-2-2304-10400
* 38	623 099 2078	Drain Pan	1	343-2-2302-28101
39	623 123 3477	Drain Hose	1	854-2-4297-13400
40	623 028 0229	Band Mounting	2	821-2-8206-10102
41	623 099 0340	Stopper	1	343-2-2338-11700
42	623 113 7614	Mounting Plate, Evaporator	1	854-2-2303-26601
43	638 009 9511	Mounting Plate	1	854-2-2361-23501
44	638 013 7671	Front Panel Ass'y (incl No.45)	1	854-0-1101-50100
45	638 013 7688	Front Panel Ass'y	1	854-0-1101-48601
46	623 099 0234	Side Panel	1	343-2-1103-15201
47	623 132 7992	Mounting Plate	1	854-2-1129-77801
48	623 113 6693	Side Panel	1	854-2-1102-41801
49	623 132 7978	Mounting Plate	1	854-2-1129-77901
50	623 113 6662	Grill Supply	9	343-2-1503-10602

NOTE: Metal and plastic parts will be supplied basically with necessary heat insulation pads or packing. Each key number with an asterisk (*) means the recommended service parts.

ATTENTION !

To ensure correct parts supply, please let us know followings,
when you make service parts order:

1. Part No. 2. Description 3. Q' ty 4. Volts-Hz-Ph 5. Product Model No.

Key No.	Part No.	Description	Q' ty	Reference No.
51	638 013 7695	Cover, Switch (incl No. 52)	2	343-2-1116-10900
52	623 099 0210	Cover, Switch	2	343-2-1116-10600
53	623 099 0654	Base	1	343-2-2309-12001
54	638 013 7701	Bottom Plate	1	854-2-2227-38101
55	638 013 7725	Rear Panel Ass'y (incl No. 56)	1	854-0-1103-19800
56	638 013 7718	Rear Panel Ass'y	1	854-0-1103-15001
57	638 013 7732	Rear Panel (incl No. 58)	1	854-2-1103-26600
58	623 113 6716	Rear Panel	1	854-2-1103-20000
59	623 066 8584	Mounting Parts Ass'y	1	854-0-1111-14100
60	638 013 7749	Elec. Component Box Ass'y	1	854-0-5301-67301
61	638 011 6836	Elec. Component Box Ass'y	1	854-0-5301-69101
62	638 011 6843	Cover Plate	1	854-2-5304-46001
63	623 113 6914	Cover Plate	1	854-2-5304-35000
64	638 013 7756	Elec Wiring Diagram	1	854-2-5268-55800
65	638 010 8183	Terminal Base	1	1FJ-4-J3A0-02200
66	638 010 7247	Magnetic Coil DKV-MOZS550E0	1	1FJ-4-L8A0-01000
67	638 013 7763	Heater Ass'y 240V, 15W	1	854-0-5255-05200
68	638 010 9395	Operation Manual	1	854-6-4189-10900

NOTE: Metal and plastic parts will be supplied basically
with necessary heat insulation pads or packing.
Each key number with an asterisk (*) means the
recommended service parts.

ATTENTION !

To ensure correct parts supply, please let us know followings,
when you make service parts order:

1. Part No. 2. Description 3. Q' ty 4. Volts-Hz-Ph 5. Product Model No.

Key No.	Part No.	Description	Q' ty	Reference No.
* 1	638 009 1454	Heat Exchanger Ass'y	1	854-0-4119-28700
* 2	623 102 1982	Strainer Ass'y	1	854-0-4522-12900
* 3	638 007 2682	Solenoid Control Valve IKV-24D12	1	854-2-4548-11800
* 4	623 102 1951	Strainer Ass'y	1	854-0-4522-13000
* 5	623 099 0180	Strainer	1	343-2-2348-13400
* 6	638 010 9074	P. C. B. Ass'y CR-X253GH	1	854-0-5178-09700
* 7	638 012 2257	Fan Motor Ass'y KFG4Q-61C3P	1	854-0-5202-15400
* 8	623 094 3339	Fixed Capacitor 440V/3.5MF	1	4-2239-56162
* 9	638 011 6751	Thermistor (Indoor Air) KTEC-35-S6	1	854-0-5259-11500
* 10	638 012 3957	Thermistor (Indoor Coil) PBC-41E-S35	1	854-0-5259-12400
* 11	638 013 7619	Thermistor (Indoor Coil) PBC-41E-S35	1	854-0-5259-14200
* 12	638 012 2264	Thermistor (Indoor Coil) PBC-41E-S25	1	854-0-5259-13400
* 13	638 011 6775	Transformer Ass'y ATR-11215TB	1	854-0-5263-05400
* 14	623 005 2307	Centrifugal Fan Ass'y	1	343-0-2506-11100
* 15	623 005 2321	Centrifugal Fan Ass'y	1	343-0-2506-11400
16	638 013 7626	Frame Ass'y (incl No. 17)	1	854-0-2202-17100
17	623 113 6792	Frame Ass'y	1	854-0-2202-14801
18	638 013 7633	Frame Ass'y (incl No. 19)	1	854-0-2202-17200
19	623 113 6785	Frame Ass'y	1	854-0-2202-14701
20	623 113 6822	Mounting Plate, Evaporator	1	854-2-2303-26200
21	623 113 6839	Mounting Plate, Evaporator	1	854-2-2303-26300
22	638 013 7640	Rear Cover (incl No. 23)	1	343-2-2204-28200
23	623 099 1989	Rear Cover	1	343-2-2204-22901
24	623 113 7607	Partition Plate Ass'y	1	854-0-2516-16801
25	623 005 2444	Motor Base Ass'y	1	343-0-2511-11501
26	623 113 7638	Mounting Plate Ass'y	1	854-2-2208-25701
27	638 013 7657	Frame Filter Ass'y	1	854-0-1302-22700
28	638 003 7131	Angle Flange	1	854-2-2306-23801
29	638 003 7148	Angle Flange	1	854-2-2306-23301
30	623 099 0630	Angle	1	343-2-2306-36301
31	623 099 0647	Angle	1	343-2-2306-36401
32	638 013 7664	Angle (incl No. 33)	1	343-2-2306-45800
33	623 113 7652	Angle	1	343-2-2306-36802
34	623 113 6990	Insulation, Drain Pan	1	343-2-2417-55200
35	623 103 5873	Cushion Rubber	2	854-2-2534-14800
36	623 005 2550	Fan Casing Ass'y	1	343-0-2513-10800
37	623 099 0364	Drain Pan Second	1	343-2-2304-10400
* 38	623 099 2078	Drain Pan	1	343-2-2302-28101
39	623 123 3477	Drain Hose	1	854-2-4297-13400
40	623 028 0229	Band Mounting	2	821-2-8206-10102
41	623 099 0340	Stopper	1	343-2-2338-11700
42	623 113 7614	Mounting Plate, Evaporator	1	854-2-2303-26601
43	638 009 9511	Mounting Plate	1	854-2-2361-23501
44	638 013 7671	Front Panel Ass'y (incl No. 45)	1	854-0-1101-50100
45	638 013 7688	Front Panel Ass'y	1	854-0-1101-48601
46	623 099 0234	Side Panel	1	343-2-1103-15201
47	623 132 7992	Mounting Plate	1	854-2-1129-77801
48	623 113 6693	Side Panel	1	854-2-1102-41801
49	623 132 7978	Mounting Plate	1	854-2-1129-77901
50	623 113 6662	Grill Supply	9	343-2-1503-10602

NOTE: Metal and plastic parts will be supplied basically with necessary heat insulation pads or packing. Each key number with an asterisk (*) means the recommended service parts.

ATTENTION !

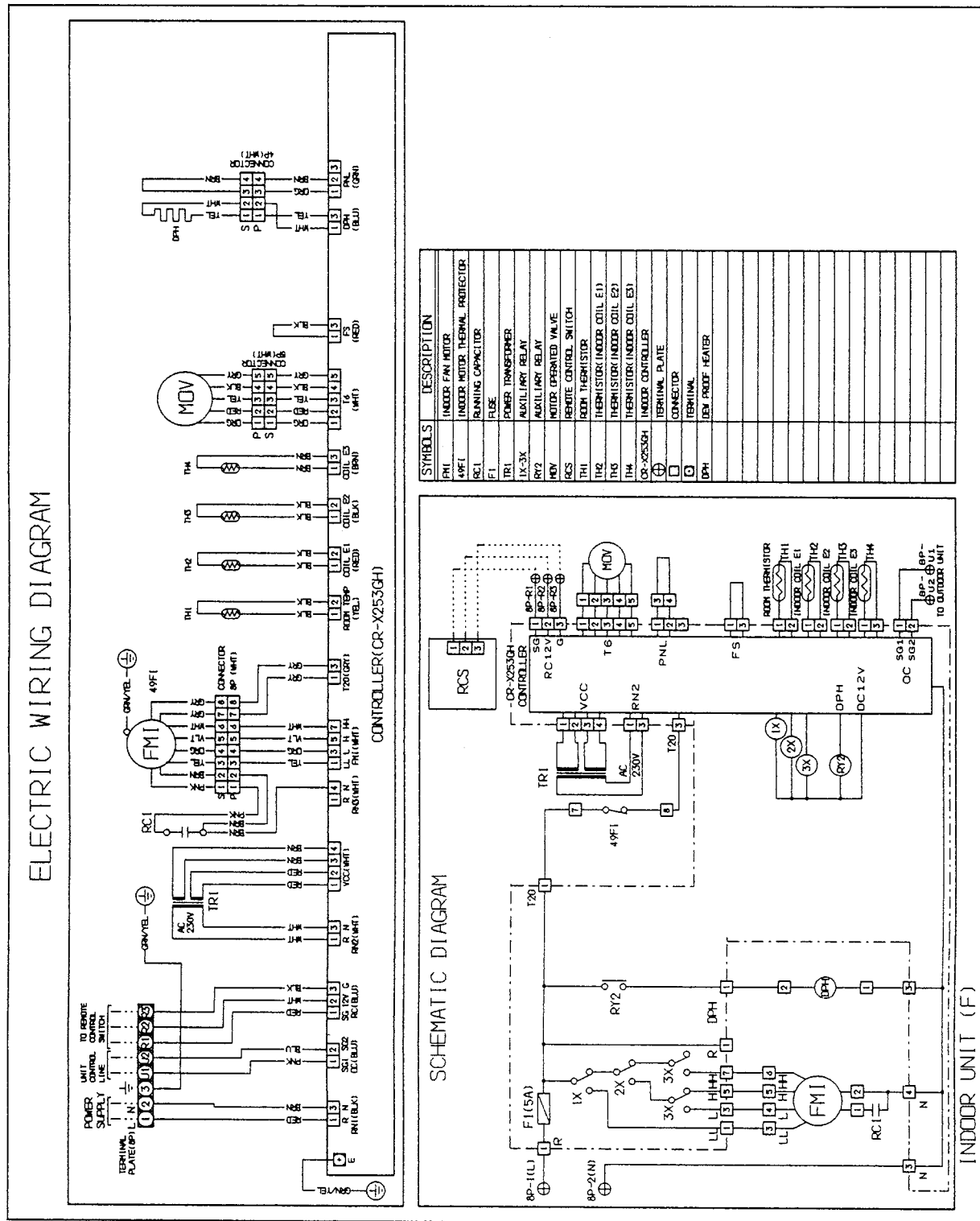
To ensure correct parts supply, please let us know followings,
when you make service parts order:

1. Part No. 2. Description 3. Q' ty 4. Volts-Hz-Ph 5. Product Model No.

Key No.	Part No.	Description	Q' ty	Reference No.
51	638 013 7695	Cover, Switch (incl No. 52)	2	343-2-1116-10900
52	623 099 0210	Cover, Switch	2	343-2-1116-10600
53	623 099 0654	Base	1	343-2-2309-12001
54	638 013 7701	Bottom Plate	1	854-2-2227-38101
55	638 013 7725	Rear Panel Ass'y (incl No. 56)	1	854-0-1103-19800
56	638 013 7718	Rear Panel Ass'y	1	854-0-1103-15001
57	638 013 7732	Rear Panel (incl No. 58)	1	854-2-1103-26600
58	623 113 6716	Rear Panel	1	854-2-1103-20000
59	623 066 8584	Mounting Parts Ass'y	1	854-0-1111-14100
60	638 013 7749	Elec. Component Box Ass'y	1	854-0-5301-67301
61	638 011 6836	Elec. Component Box Ass'y	1	854-0-5301-69101
62	638 011 6843	Cover Plate	1	854-2-5304-46001
63	623 113 6914	Cover Plate	1	854-2-5304-35000
64	638 013 7756	Elec Wiring Diagram	1	854-2-5268-55800
65	638 010 8183	Terminal Base	1	1FJ-4-J3A0-02200
66	638 010 7247	Magnetic Coil DKV-MOZS550E0	1	1FJ-4-L8A0-01000
67	638 013 7763	Heater Ass'y 240V, 15W	1	854-0-5255-05200
68	638 010 9395	Operation Manual	1	854-6-4189-10900

NOTE: Metal and plastic parts will be supplied basically
with necessary heat insulation pads or packing.
Each key number with an asterisk (*) means the
recommended service parts.

ELECTRIC WIRING DIAGRAM



SANYO

SANYO Electric Co., Ltd.
Osaka, Japan

T 0997 Ⓐ 300 Printed in Japan