



FILE NO.

INDOOR UNIT

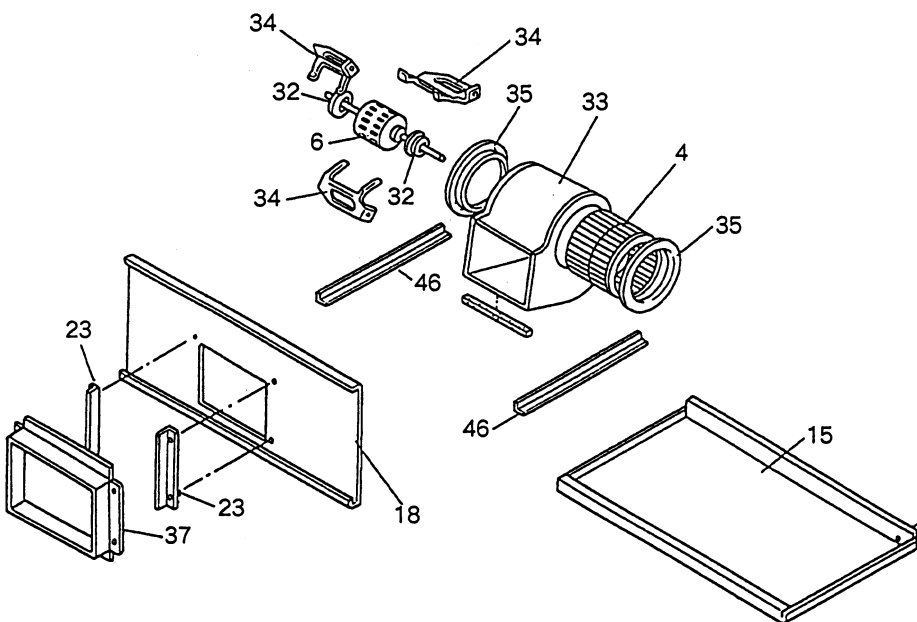
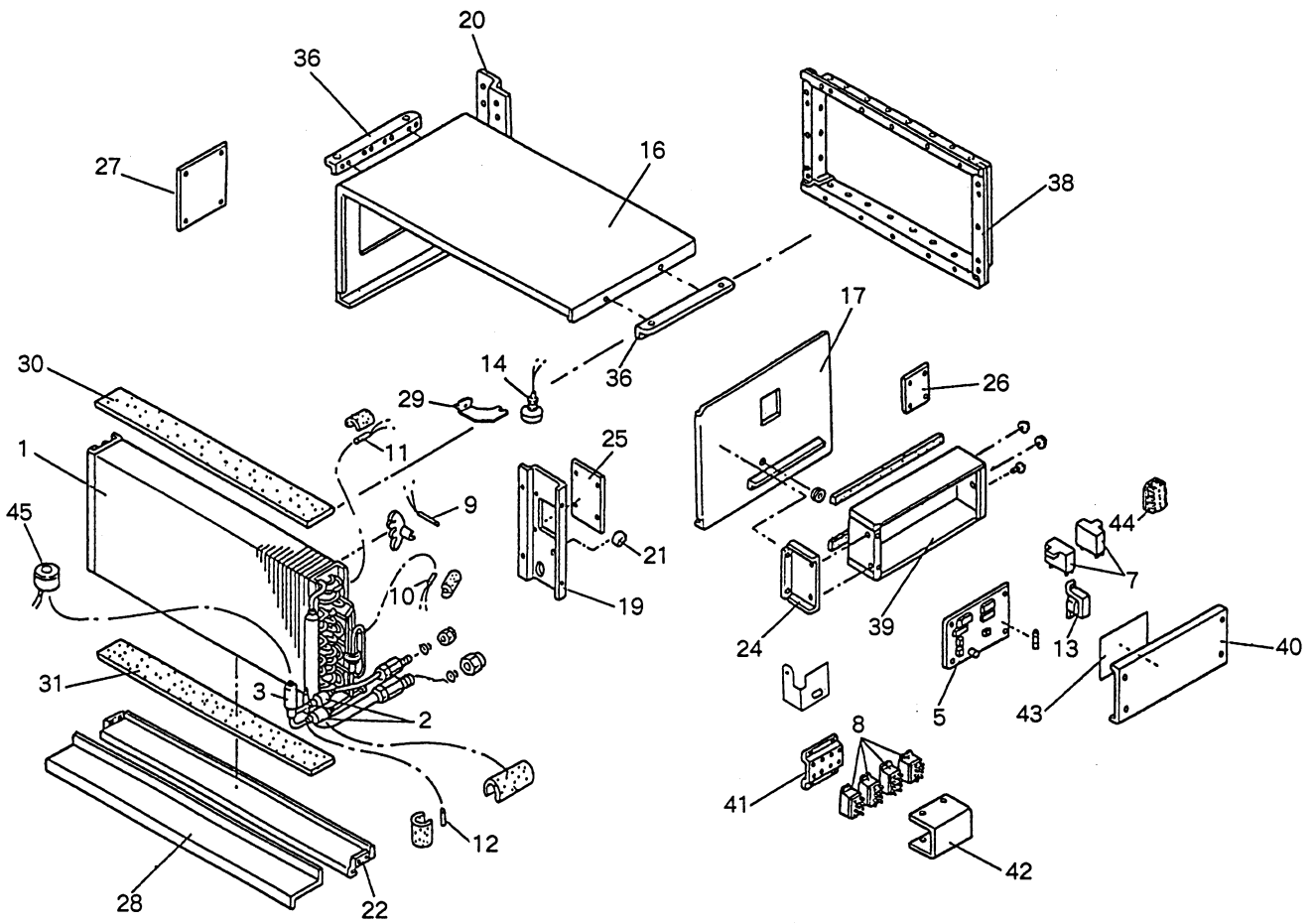
SPW-D483GH56

INDOOR UNIT		APPLICABLE OUTDOOR UNIT	VOLT / ϕ / Hz
MODEL No.	PR. CODE No.	MODEL No.	
SPW-D483GH56	854 011 58	SPW-C703GY8	IN : 220-240 / 1 / 50 OUT : 220-240 / 1 / 50 : 380-415 / 3 / 50
		SPW-C903GY8	
		SPW-C703GYH8	
		SPW-C903GYH8	
		SPW-C483GH8	

CONTENTS

■ EXPLODED VIEW	2
● Indoor Unit	
SPW-D483GH56	2
■ PARTS LIST	3
● Indoor Unit	
SPW-D483GH56	3
■ ELECTRIC WIRING DIAGRAM	4

**SPW-D483GH56
INDOOR UNIT**



ATTENTION !

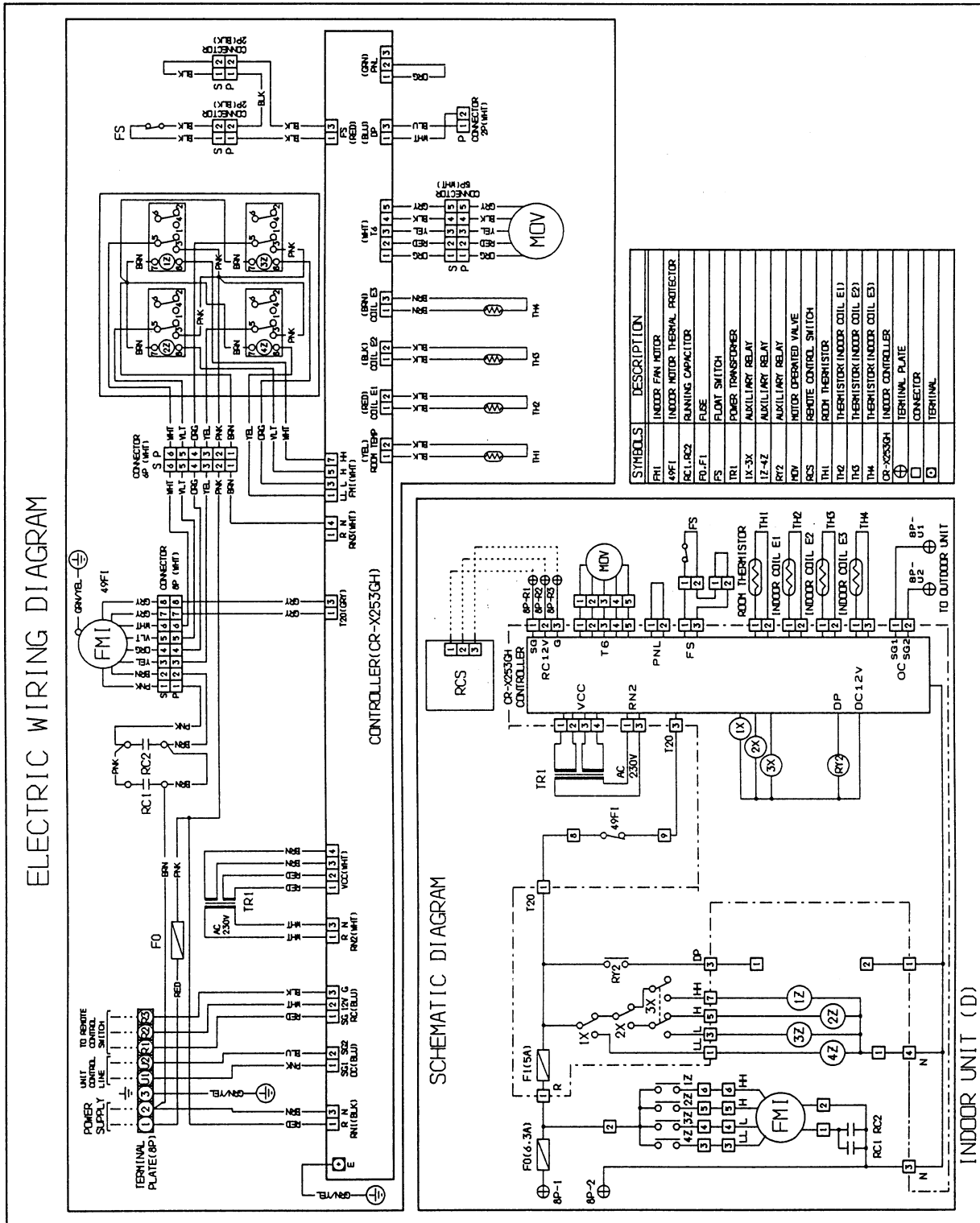
To ensure correct parts supply, please let us know followings,
when you make service parts order:

1. Part No. 2. Description 3. Q' ty 4. Volts-Hz-Ph 5. Product Model No.

Key No.	Part No.	Description	Q' ty	Reference No.
* 1	638 011 8380	Heat Exchanger Ass'y	1	854-0-4119-33100
* 2	623 101 8968	Strainer Ass'y	2	854-0-4522-13100
* 3	638 010 8251	Solenoid Control Valve HKV-30D16	1	854-2-4548-11900
* 4	623 068 3402	Centrifugal Fan Ass'y	1	854-0-2501-15200
* 5	638 010 9074	P. C. B. Ass'y CR-X253GH	1	854-0-5178-09700
* 6	638 011 9660	Fan Motor Ass'y KFC4Q-401A5P	1	854-0-5202-14000
* 7	638 008 8249	Fixed Capacitor UPMDD-440V/7.0MF	2	4-2239-56167
* 8	638 010 7803	Power Relay HH62S/085	4	1FJ-4-S2A0-01300
* 9	638 011 8724	Thermistor (Indoor Air) KTEC-35-S2	1	854-0-5259-11600
* 10	638 011 7956	Thermistor (Indoor Coil) PBC-41E-S36	1	854-0-5259-12100
* 11	638 011 8731	Thermistor (Indoor Coil) PBC-41E-S36	1	854-0-5259-14000
* 12	638 011 8748	Thermistor (Indoor Coil) PBC-41E-S25	1	854-0-5259-13000
* 13	638 011 6362	Transformer Ass'y ATR-II215TB	1	854-0-5263-06600
* 14	638 011 8755	Switch Ass'y FS-3502-204	1	854-0-5257-03400
* 15	638 011 9677	Drain Pan Ass'y (incl INS)	1	854-0-2301-451H2
16	638 011 9691	Cabinet Ass'y (incl INS)	1	854-0-1104-162H1
17	638 011 9707	Side Panel Ass'y (incl INS)	1	854-0-1102-304H1
18	638 011 9738	Front Panel (incl INS)	1	854-2-1101-606H1
19	638 002 8252	Mounting Plate, Evaporator	1	854-2-2303-27801
20	623 105 8971	Mounting Plate, Evaporator	1	854-2-2303-19201
21	623 078 4994	Mounting Plate	1	854-2-2360-11811
22	623 108 8008	Guide, Drain Pan	1	854-2-2341-21101
23	623 111 1928	Mounting Plate	2	854-2-2518-29501
24	623 076 9137	Mounting Plate, Elec Box	1	854-2-2234-14700
25	623 077 0355	Mounting Plate, Evaporator	1	854-2-2303-18401
26	638 011 8823	Mounting Plate (incl INS)	1	854-2-2360-759H1
27	638 011 8830	Mounting Plate (incl INS)	1	854-2-2360-760H1
28	623 111 0204	Mounting Plate	1	854-2-2360-76101
29	638 011 8847	Mounting Plate	1	854-2-2361-26301
30	638 011 9745	Packing	1	854-2-2366-38200
31	638 011 9752	Packing	1	854-2-2366-39000
32	623 079 9912	Cushion Rubber	2	854-2-2534-13200
33	623 108 8022	Fan Casing Ass'y	1	854-0-2502-19101
34	623 108 8015	Support Motor Ass'y	3	854-0-2511-15801
35	623 108 8039	Air Guide	2	854-2-2519-11801
36	638 002 7729	Mounting Panel	2	854-2-1127-17301
37	638 011 8854	Flange Ass'y, Duct (incl INS)	1	854-0-2306-211H1
38	638 011 8861	Flange Ass'y, Duct (incl INS)	1	854-0-2306-260H1
39	638 011 8878	Elec. Component Box Ass'y	1	854-0-5301-68701
40	623 105 8797	Cover Plate	1	854-2-5304-33500
41	623 105 2726	Mounting Plate	1	854-2-5312-65001
42	623 105 2733	Mounting Plate	1	854-2-5312-65101
43	638 011 9769	Elec Wiring Diagram	1	854-2-5268-42800
44	638 010 8183	Terminal Base	1	1FJ-4-J3A0-02200
45	638 010 7698	Magnetic Coil EKV-MOZS559E0	1	1FJ-4-L8A0-01100
46	623 111 1911	Mounting Plate	2	854-2-2345-57700
47	638 012 1120	Mounting Plate	1	854-2-5312-94201
48	638 010 9395	Operation Manual	1	854-6-4189-10900

NOTE: Metal and plastic parts will be supplied basically
with necessary heat insulation pads or packing.
Each key number with an asterisk (*) means the
recommended service parts.

ELECTRIC WIRING DIAGRAM



SANYO

SANYO Electric Co., Ltd.
Osaka, Japan

T0994 (A) 300 Printed in Japan