

# Parts List



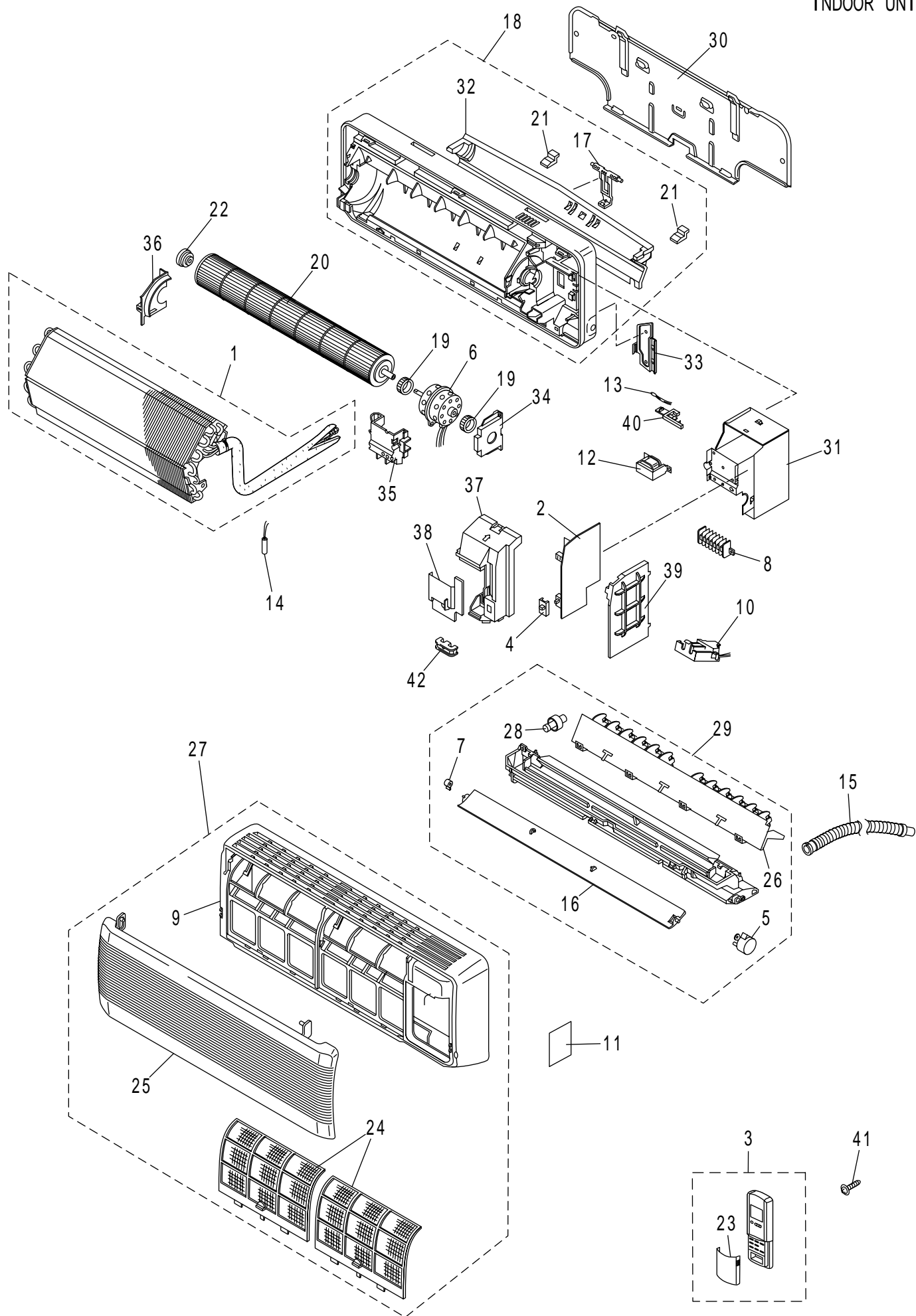
File No.

# Air Conditioner

INDOOR UNIT  
**SAP-K71GH**  
Made in Singapore

---

Model No.	Prod.Code	Volt-Phase-Hertz
SAP-K71GH-S	1 852 061 37	220-240-1-50



**ATTENTION !**

To ensure correct parts supply, please let us know followings,  
when you make service parts order:

1.Part No. 2.Description 3.Q'ty 4.Volts-Hz-Ph 5.Product Model No.

SAP-K71GH  
INDOOR UNIT

Key No.	Part No.	Description	Q'ty	Reference No.	
1	623 151 2824	Evaporator Ass'y	1	852-0-4116-47300	
*	2	623 151 3104	P.C.B. Ass'y POW-K71GH	1	851-0-5172-81100
*	3	623 145 1079	Remote Control Switch RCS-7HS1E	1	851-0-0054-03900
4	623 151 2800	Knob	1	852-2-5323-11201	
5	623 146 9098	Step Motor	1	529-0-0000-07200	
*	6	623 151 2794	Fan Motor UF4Q-21_5P-S	1	525-0-0000-80605
7	623 151 2787	Mounting	1	852-2-1514-53501	
8	623 146 7698	Terminal Base OPSA-20-7P	1	1FA-4-J3A0-07100	
9	623 151 2879	Grille	1	852-2-1501-41501	
*	10	623 151 3128	Indicator Lamp Ass'y IND-K91GH	1	851-0-5161-58400
11	623 151 3111	Elec. Wiring Diagram	1	851-2-5253-40102	
*	12	623 137 0462	Transformer Ass'y ATR-J105	1	851-0-5263-08200
13	407 177 4501	Thermistor DTN-TKS128B	1	DHDTNTKS128BN	
14	407 197 3508	Thermistor DTN-TKS131B	1	DHDTNTKS131BN	
15	623 151 2848	Drain Hose Ass'y	1	852-0-1303-23600	
16	623 151 2831	Flap	1	852-2-1523-21901	
17	623 151 3319	Mounting, Tube	1	852-2-2362-22401	
18	623 151 2916	Frame Ass'y	1	852-0-2201-28900	
19	623 053 2335	Cushion Rubber	2	852-2-2511-14900	
*	20	623 151 2909	Cross - Flow Fan Ass'y	1	852-0-2509-21300
21	623 151 2893	Mounting	2	852-2-1514-53601	
*	22	623 094 4466	Bearing Housing Ass'y	1	852-0-2510-12800
23	623 147 9738	Cover, Switch	1	851-2-5305-12001	
24	623 151 2886	Air Filter Ass'y	2	852-0-2307-26201	
25	623 151 3005	Ornamental Plate	1	852-2-1516-29001	
26	623 151 2992	Guide Air Defl	1	852-2-2360-13801	
27	623 151 2985	Grille Ass'y	1	852-0-1501-34400	
28	623 151 2978	Cap, Drain Pan	1	852-2-2348-12101	
29	623 151 2961	Blade Ass'y	1	852-0-1504-21600	
30	623 151 2954	Rear Panel	1	852-2-2230-16000	
31	623 151 2947	Elec. Component Box Ass'y	1	852-0-5301-44800	
32	623 151 2930	Insulation, Evap. Casing	1	852-2-2405-21100	
33	623 151 2923	Mounting, Tube	1	852-2-2362-22510	
34	623 151 3074	Mounting Plate, Fan Motor	1	852-2-2354-21401	
35	623 151 3067	Mounting Plate Ass'y	1	852-0-2506-18400	
36	623 151 3050	Cover Rubber	1	852-2-2514-14101	
37	623 151 3043	Cover Plate	1	852-2-5315-34401	
38	623 151 3135	Terminal Cover Ass'y	1	852-0-5309-00600	
39	623 151 3029	Holder	1	852-2-5377-11001	
40	623 151 3012	Mounting Thermostat	1	852-2-5303-22701	
41	623 143 4911	Screw Special SWCH18A	1	852-2-2396-14700	
42	623 151 3098	Clip, Wire	1	852-2-5304-18100	
	623 151 3142	Operation Manual	1	852-6-4180-15300	

NOTE: Metal and plastic parts will be supplied basically with necessary heat insulation pads or packing. Each key number with an asterisk (\*) means the recommended service parts.



---

SANYO Electric Co.,Ltd  
Osaka, Japan  
6/98 Printed in Japan