

# Parts List



File No.

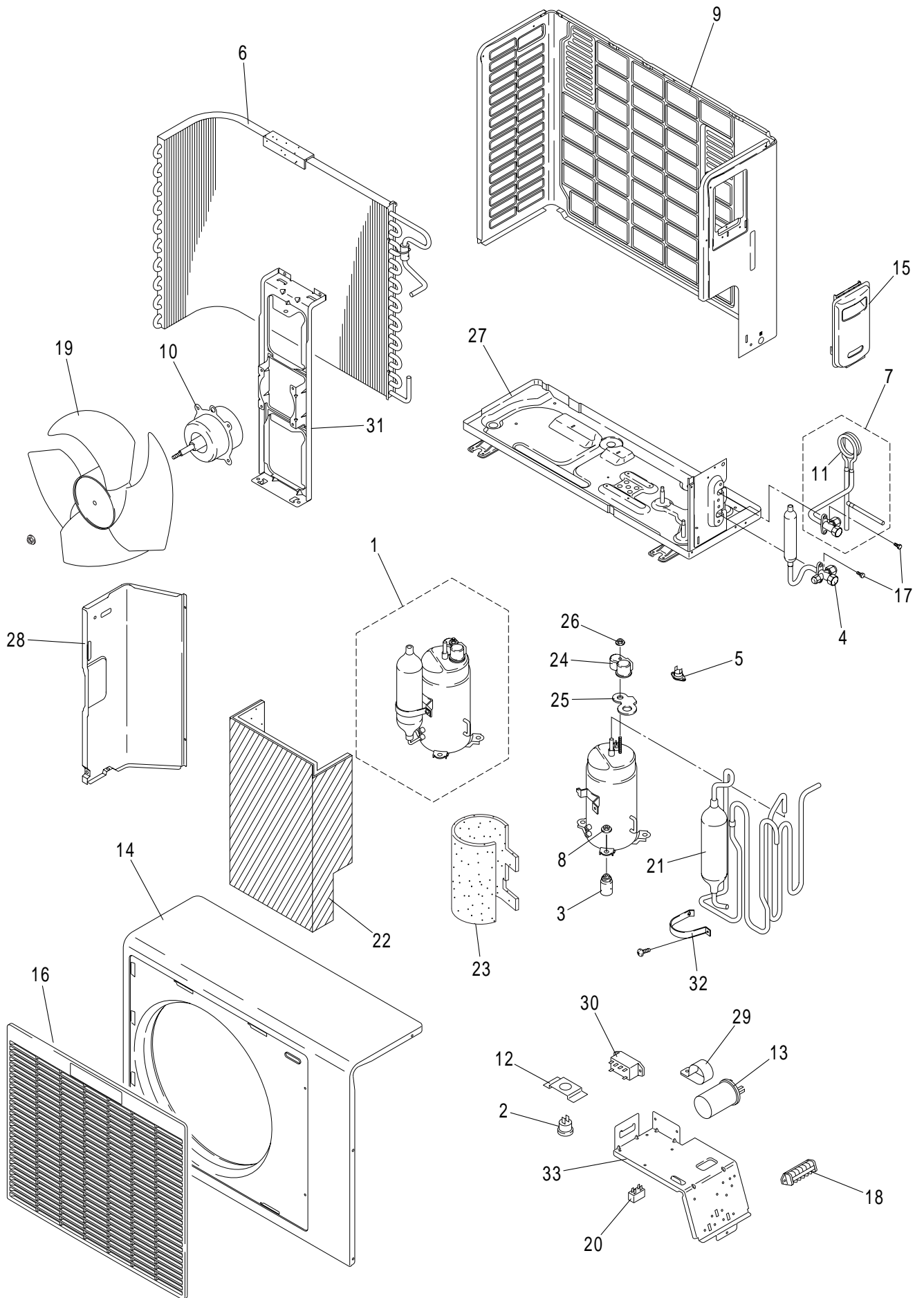
## Air Conditioner

OUTDOOR UNIT  
SAP-C91GA

---

Model No.	Prod.Code	Volt-Phase-Hertz
SAP-C91GA-S	1 852 070 52	220-240-1-50

SAP-C91GA  
OUTDOOR UNIT



**ATTENTION !**

To ensure correct parts supply, please let us know followings,  
when you make service parts order:

1.Part No. 2.Description 3.Q'ty 4.Volts-Hz-Ph 5.Product Model No.

SAP-C91GA  
OUTDOOR UNIT

Key No.	Part No.	Description	Q'ty	Reference No.
* 1	623 150 7264	Compressor Ass'y	1	852-0-4516-35100
* 2	623 120 8437	Relay MRA99109-9201	1	4-2329-69338
3	623 035 0212	Cushion Rubber	3	851-2-2390-15500
4	623 151 3197	Valve Ass'y 3/8 in.	1	852-0-4501-89100
* 5	623 097 8898	Thermostat CS-7C115	1	4-2339-60026
6	623 150 7240	Condenser Ass'y	1	852-0-4102-75000
7	623 151 3258	Valve Ass'y 1/4 in.	1	852-0-4501-89300
8	623 029 6497	Nut Special Ass'y	3	851-0-2395-10201
9	623 156 3475	Rear Panel	1	852-2-1120-25502
* 10	623 150 7301	Fan Motor UE6-21AH5PB-S	1	525-0-0000-81145
11	623 149 6919	Capillary Tube OD3 ID1.2 L470	1	852-2-4268-19200
12	623 145 9846	Mounting	1	851-2-2340-10410
* 13	623 120 7805	Fixed Capacitor X386S 400V 22.5M	1	4-2239-56869
14	623 156 3468	Cabinet	1	852-2-1112-24902
15	623 156 3451	Cover Plate Ass'y	1	85S-0-5302-00200
16	623 156 3444	Guard Ass'y	1	85S-0-1111-00100
17	623 090 6907	Deltite Screw	4	3-9201-61601
18	623 003 2705	Terminal Base FT-016	1	4-2379-51009
19	623 150 7349	Propeller Fan	1	852-2-2502-14001
* 20	623 001 1618	Fixed Capacitor UPMDD-440V//1.5MF	1	4-2239-56158
21	623 103 9307	Accumulator Ass'y	1	851-0-4507-15200
22	623 154 3026	Insulation	1	852-2-2476-48800
23	623 053 0812	Insulation	1	852-2-2476-20900
24	626 040 0765	Cover Terminal	1	801-2-6194-13300
25	623 117 6606	Gasket Terminal	1	801-2-5303-14700
26	626 040 0888	Nut 5mm	1	801-2-8305-10100
27	623 156 3482	Bottom Plate Ass'y	1	852-0-2202-66302
28	623 151 3227	Partition Plate Ass'y	1	852-0-2209-25300
29	623 054 8022	Clip, Capacitor	1	852-2-5301-21201
* 30	623 131 2547	Relay G7L-2A-TUB	1	4-2329-56722
31	623 151 3241	Mounting Plate, Fan Motor	1	852-2-2354-21011
32	623 051 3907	Band Mounting	1	852-2-2356-17201
33	623 151 2732	Elec. Component Box	1	852-2-5307-56501

NOTE: Metal and plastic parts will be supplied basically with necessary heat insulation pads or packing. Each key number with an asterisk (\*) means the recommended service parts.



---

SANYO Electric Co.,Ltd  
Osaka, Japan  
7/00 Printed in Japan