

# Parts List



File No.

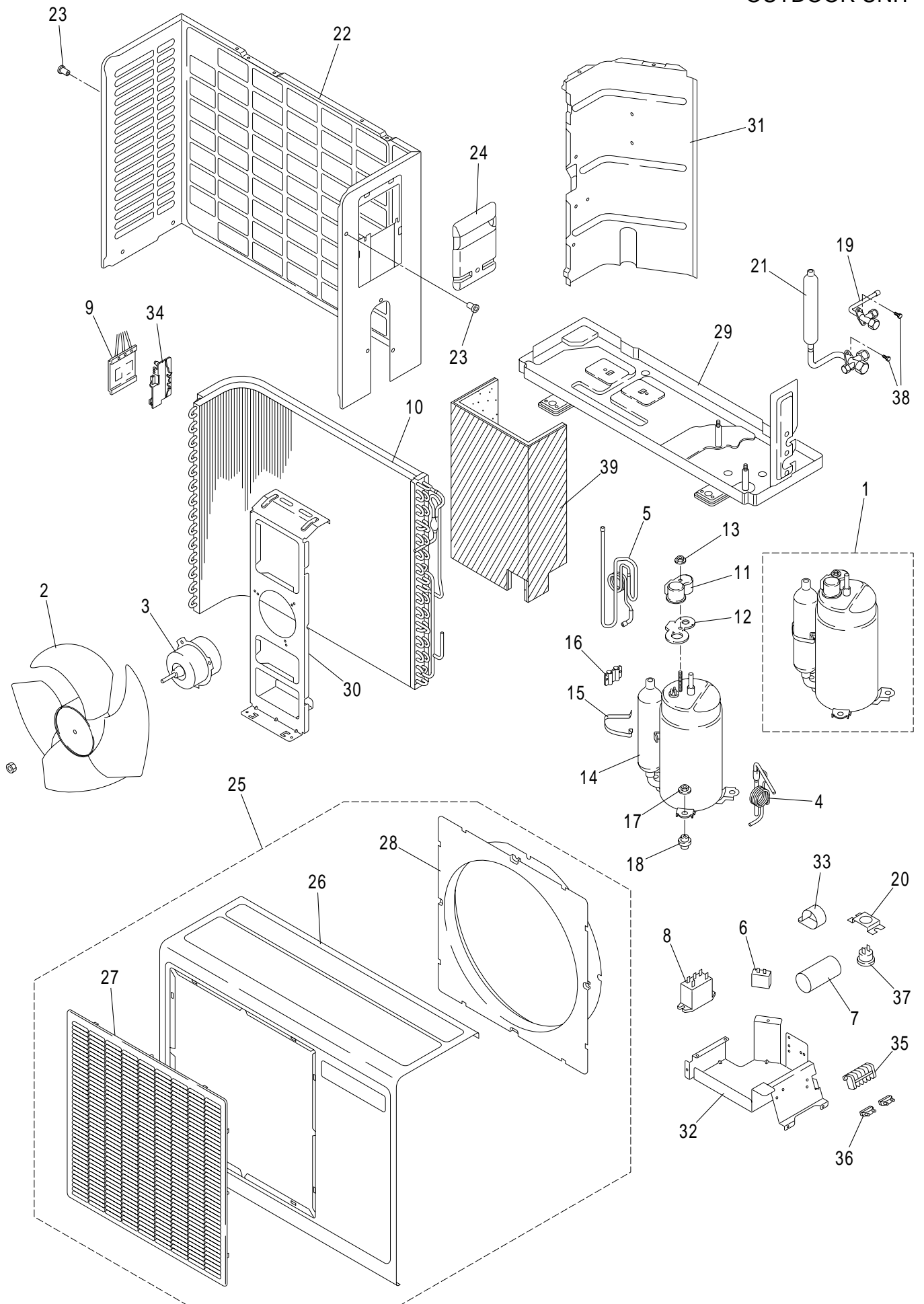
## Air Conditioner

OUTDOOR UNIT  
SAP-C241GA

---

Model No.	Prod.Code	Volt-Phase-Hertz
SAP-C241GA-S	1 852 070 61	220-240-1-50

SAP-C241GA  
OUTDOOR UNIT



**ATTENTION !**

To ensure correct parts supply, please let us know followings,  
when you make service parts order:

1.Part No. 2.Description 3.Q'ty 4.Volts-Hz-Ph 5.Product Model No.

SAP-C241GA  
OUTDOOR UNIT

Key No.	Part No.	Description	Q'ty	Reference No.
* 1	623 153 5014	Compressor Ass'y	1	852-0-4516-37000
2	623 140 7410	Propeller Fan	1	852-2-2502-13101
* 3	623 153 5007	Fan Motor KFG6S-51D5P-S	1	525-0-0000-85205
* 4	623 151 1247	Tube Ass'y	1	852-0-4206-90000
* 5	623 151 1100	Tube Ass'y	1	852-0-4206-88300
* 6	623 121 5145	Fixed Capacitor UPMDD-440V/4.0MF	1	4-2239-56163
* 7	623 135 4318	Fixed Capacitor WME-RS 400V/40MF	1	4-2239-57187
* 8	623 131 2547	Relay G7L-2A-TUB	1	4-2329-56722
* 9	623 002 9019	Thermostat MQT5S	1	4-2339-56155
10	623 156 3512	Condenser Ass'y	1	852-0-4102-74500
11	626 040 0604	Cover Terminal	1	801-2-6194-10800
12	626 040 0338	Gasket Terminal	1	801-2-5303-13100
13	626 040 0888	Nut 5mm	1	801-2-8305-10100
14	623 093 6157	Accumulator Ass'y	1	854-0-4517-20800
15	623 034 9452	Band Mounting	1	851-2-2356-16901
16	623 050 5742	Mounting Plate	1	852-2-2309-34101
17	623 068 1125	Nut Special Ass'y	3	854-0-2321-10201
18	623 145 0577	Cushion Rubber	3	819-2-6920-10700
19	623 151 1162	Valve Ass'y 1/4 in.	1	852-0-4501-92800
20	623 034 7748	Mounting	1	851-2-2340-14301
21	623 151 1155	Valve Ass'y 5/8 in.	1	852-0-4501-90800
22	623 156 3536	Rear Panel Ass'y	1	85S-0-1108-00200
23	623 154 2272	Spacer	2	852-2-2326-14354
24	623 156 3529	Cover Plate Ass'y	1	85S-0-5302-00100
25	623 156 3581	Cabinet Ass'y	1	85S-0-1101-00100
26	623 156 3574	Cabinet	1	852-2-1112-22602
27	623 156 3567	Guard	1	852-2-1321-14502
28	623 140 7533	Nozzle	1	852-2-2311-15001
29	623 156 3550	Bottom Plate Ass'y	1	85S-0-2202-00500
30	623 151 1186	Mounting Plate Ass'y	1	852-0-2506-18500
31	623 151 1179	Partition Plate Ass'y	1	852-0-2209-25200
32	623 156 3543	Electric J-B	1	85S-2-5307-00101
33	623 038 0332	Clip, Capacitor	1	851-2-5301-20701
34	623 151 1209	Mounting Thermostat	1	852-2-5303-22600
35	623 128 9160	Terminal Base	1	4-2379-56266
36	623 140 7595	Clip, Wire	2	852-2-5304-16700
* 37	626 100 0292	Relay 0L-D24	1	4-2329-60394
38	623 155 1090	Deltite Screw	4	3-9201-62003
39	623 153 5038	Insulation	1	852-2-2476-48600

NOTE: Metal and plastic parts will be supplied basically with necessary heat insulation pads or packing. Each key number with an asterisk (\*) means the recommended service parts.



---

SANYO Electric Co.,Ltd  
Osaka, Japan  
7/00 Printed in Japan