

Parts List



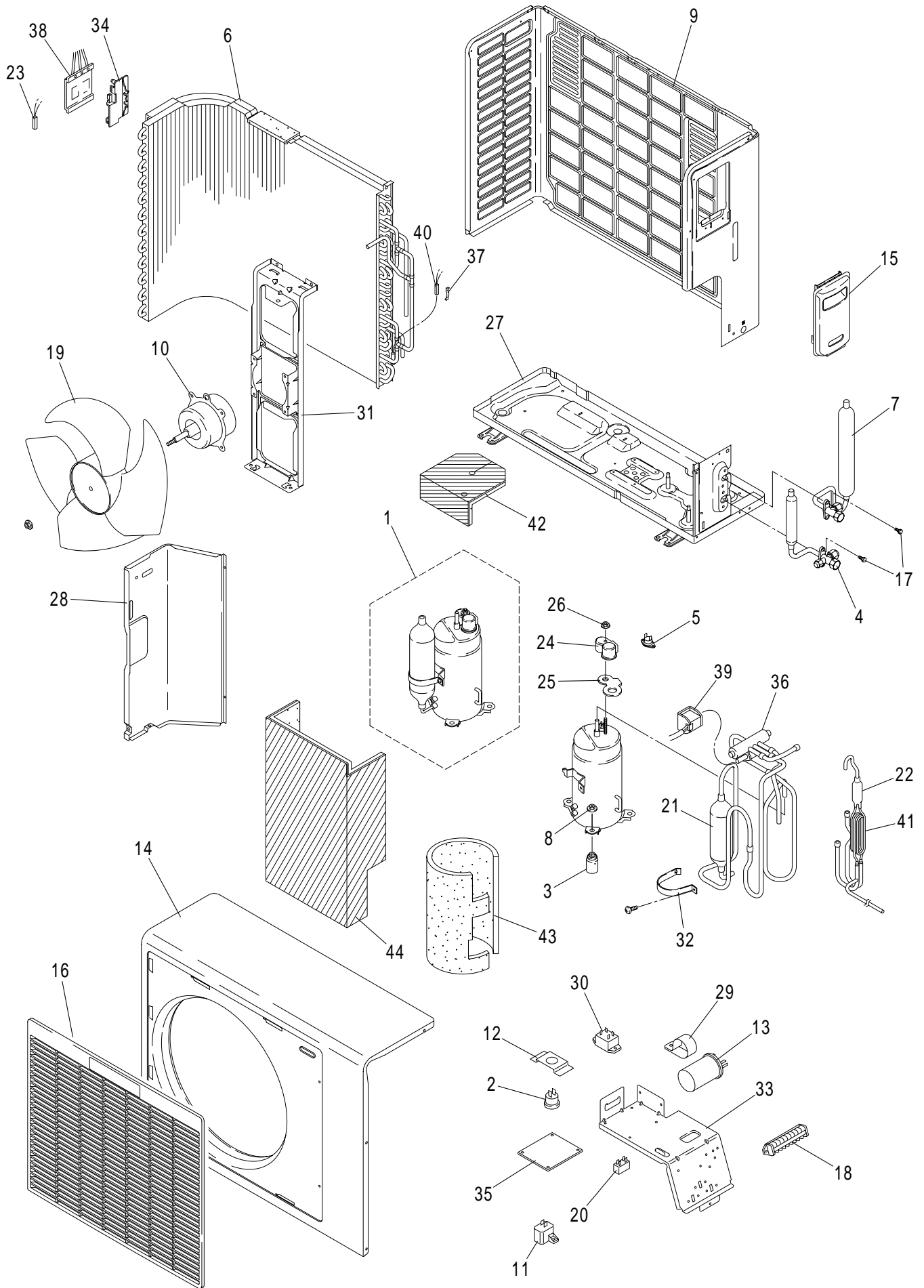
File No.

Air Conditioner

OUTDOOR UNIT
SAP-C121GHA/R

Model No.	Prod.Code	Volt-Phase-Hertz
SAP-C121GHA/R-S	1 852 070 89	220-240-1-50

SAP-C121GHA/R
OUTDOOR UNIT



ATTENTION !

To ensure correct parts supply, please let us know followings, when you make service parts order:

1.Part No. 2.Description 3.Q'ty 4.Volts-Hz-Ph 5.Product Model No.

SAP-C121GHA/R
OUTDOOR UNIT

Key No.	Part No.	Description	Q'ty	Reference No.
* 1	623 151 2671	Compressor Ass'y	1	852-0-4516-35500
* 2	626 100 1091	Relay MRA98596-9201	1	4-2329-69144
3	623 035 0212	Cushion Rubber	3	851-2-2390-15500
4	623 151 2664	Valve Ass'y 1/2 in.	1	852-0-4501-93000
* 5	623 097 8898	Thermostat CS-7C115	1	4-2339-60026
6	623 156 4373	Condenser Ass'y	1	85S-0-4102-02500
7	623 151 7669	Valve Ass'y 1/4 in.	1	852-0-4501-98200
8	623 029 6497	Nut Special Ass'y	3	851-0-2395-10201
9	623 156 3475	Rear Panel	1	852-2-1120-25502
* 10	623 156 3505	Fan Motor UE6S-21AC5P-S	1	525-0-0000-87605
* 11	626 100 0049	Thermistor TDK 101YV	1	4-2049-60102
12	623 145 9846	Mounting	1	851-2-2340-10410
* 13	623 092 7711	Fixed Capacitor PMT 400V/25MF	1	4-2239-56379
14	623 156 4380	Cabinet Ass'y	1	85S-0-1101-00200
15	623 156 3451	Cover Plate Ass'y	1	85S-0-5302-00200
16	623 156 3444	Guard Ass'y	1	85S-0-1111-00100
17	623 090 6907	Deltite Screw	4	3-9201-61601
18	623 151 3425	Terminal Base OPSA-20-9P	1	1FA-4-J3A0-08600
19	623 150 7349	Propeller Fan	1	852-2-2502-14001
* 20	623 001 1618	Fixed Capacitor UPMDD-440V//1.5MF	1	4-2239-56158
21	623 118 2553	Accumulator Ass'y	1	852-0-4511-19700
22	623 146 6226	Strainer Ass'y	1	852-0-4506-19000
* 23	623 155 5630	Thermostat Other TRS02-M13MSR436	1	1FA-4-S4Z0-00800
24	626 040 0765	Cover Terminal	1	801-2-6194-13300
25	623 117 6606	Gasket Terminal	1	801-2-5303-14700
26	626 040 0888	Nut 5mm	1	801-2-8305-10100
27	623 157 0176	Bottom Plate Ass'y	1	852-0-2202-69602
28	623 151 2718	Partition Plate Ass'y	1	852-0-2209-25700
29	623 054 8022	Clip, Capacitor	1	852-2-5301-21201
* 30	623 002 4762	Relay DFU24D1-F(M)	1	4-2329-56282
31	623 151 2756	Mounting Plate, Fan Motor	1	852-2-2354-22411
32	623 034 9452	Band Mounting	1	851-2-2356-16901
33	623 151 2732	Elec. Component Box	1	852-2-5307-56501
34	623 151 1209	Mounting Thermostat	1	852-2-5303-22600
* 35	623 136 9411	P.C.B. Ass'y POW-C186GH	1	851-0-5172-29800
36	623 146 3836	Solenoid Valve Ass'y	1	852-0-4509-13200
37	623 054 8640	Mounting Thermostat	1	852-2-5303-14900
* 38	623 002 9019	Thermostat MQT5S	1	4-2339-56155
39	623 151 3432	Magnetic Coil LB81012	1	1FA-4-L8A0-02300
* 40	623 002 9149	Thermostat TRS02-12MSR	1	4-2339-56176
41	623 152 4155	Capillary Tube OD3 ID1.2 L800	2	852-2-4268-23500
42	623 154 3019	Insulation	1	852-2-2476-50300
43	623 053 0812	Insulation	1	852-2-2476-20900
44	623 154 3026	Insulation	1	852-2-2476-48800

NOTE: Metal and plastic parts will be supplied basically with necessary heat insulation pads or packing. Each key number with an asterisk (*) means the recommended service parts.



SANYO Electric Co.,Ltd
Osaka, Japan
10/00 Printed in Japan