

## Parts List

**SANYO**File No. 

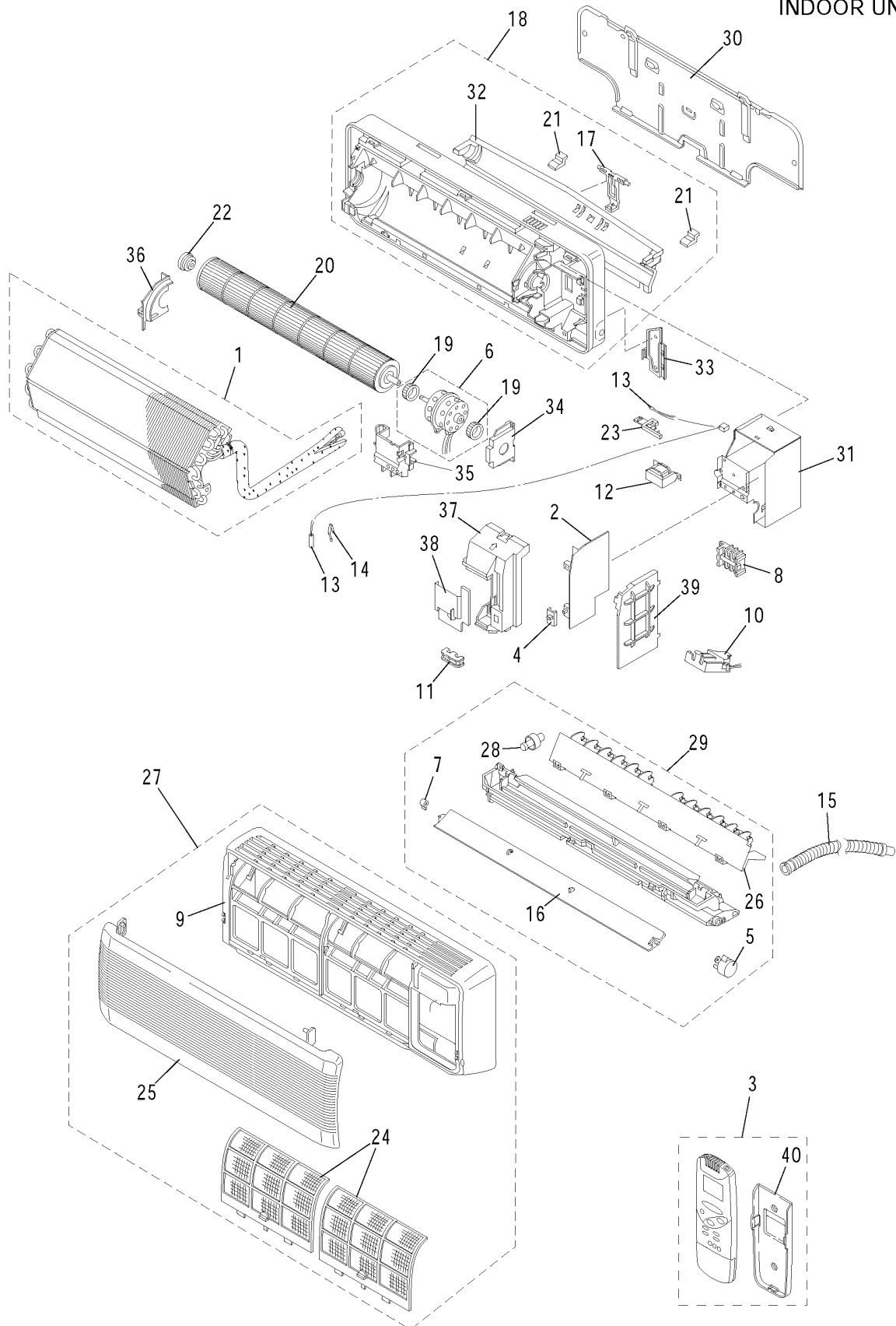
## Air Conditioner

INDOOR UNIT  
SAP-K121GJA

---

Model No.	Prod.Code	Volt-Phase-Hertz
SAP-K121GJA-S	1 852 069 63	220-240-1-50

SAP-K121GJA  
INDOOR UNIT



ATTENTION !

To ensure correct parts supply, please let us know followings,  
when you make service parts order:

1.Part No. 2.Description 3.Q'ty 4.Volts-Hz-Ph 5.Product Model No.

SAP-K121GJA  
INDOOR UNIT

Key No.	Part No.	Description	Q'ty	Reference No.
1	623 156 4182	Evaporator Ass'y	1	85S-0-4116-00100
*	2 623 156 4175	Circuit Board Ass'y CB-K121GJA	1	851-0-5181-11700
*	3 623 156 4168	Remote Control Switch RCS-2S2E	1	851-0-0054-36700
4	623 151 2800	Knob	1	852-2-5323-11201
*	5 623 154 0421	Step Motor	1	529-0-0000-07600
*	6 623 155 3827	Fan Motor Ass'y IBH-884-020	1	525-0-7008-00400
7	623 151 2787	Mounting	1	852-2-1514-53501
8	623 147 9561	Terminal Base OPSA-20-4	1	1FA-4-J3A0-04400
9	623 151 2879	Grille	1	852-2-1501-41501
*	10 623 151 2862	Indicator Lamp Ass'y IND-K91G	1	851-0-5161-58100
11	623 151 3098	Clip, Wire	1	852-2-5304-18100
*	12 623 137 0462	Transformer Ass'y ATR-J105	1	851-0-5263-08200
*	13 623 156 4205	Thermistor Ass'y SAP-K91G-S	1	851-0-5259-69200
14	623 148 5876	Mounting Thermostat	1	852-2-5303-22401
15	623 156 4199	Drain Hose Ass'y	1	85S-0-1303-00300
16	623 151 2831	Flap	1	852-2-1523-21901
17	623 151 2923	Mounting, Tube	1	852-2-2362-22510
18	623 151 2916	Frame Ass'y	1	852-0-2201-28900
19	623 153 0811	Cushion Rubber	2	852-2-2511-16800
*	20 623 151 2909	Cross- Flow Fan Ass'y	1	852-0-2509-21300
21	623 151 2893	Mounting	2	852-2-1514-53601
*	22 623 094 4466	Bearing Housing Ass'y	1	852-0-2510-12800
23	623 151 3012	Mounting Thermostat	1	852-2-5303-22701
24	623 151 2886	Air Filter Ass'y	2	852-0-2307-26201
25	623 151 3005	Ornamental Plate	1	852-2-1516-29001
26	623 151 2992	Guide Air Defl	1	852-2-2360-13801
27	623 151 2985	Grille Ass'y	1	852-0-1501-34400
28	623 151 2978	Cap, Drain Pan	1	852-2-2348-12101
29	623 154 0452	Blade Ass'y	1	852-0-1504-22600
30	623 156 4212	Rear Panel	1	852-2-2230-16900
31	623 151 2947	Elec. Component Box Ass'y	1	852-0-5301-44800
32	623 151 2930	Insulation, Evap. Casing	1	852-2-2405-21100
33	623 151 2923	Mounting, Tube	1	852-2-2362-22510
34	623 151 3074	Mounting Plate, Fan Motor	1	852-2-2354-21401
35	623 151 3067	Mounting Plate Ass'y	1	852-0-2506-18400
36	623 151 3050	Cover Rubber	1	852-2-2514-14101
37	623 151 3043	Cover Plate	1	852-2-5315-34401
38	623 151 3036	Terminal Cover Ass'y	1	852-0-5309-00500
39	623 151 3029	Holder	1	852-2-5377-11001
40	623 156 4229	Holder	1	851-2-5377-01801

NOTE: Metal and plastic parts will be supplied basically with necessary heat insulation pads or packing.  
Each key number with an asterisk (\*) means the recommended service parts.



---

SANYO Electric Co.,Ltd  
Osaka, Japan  
7/00 Printed in Japan