

Parts List



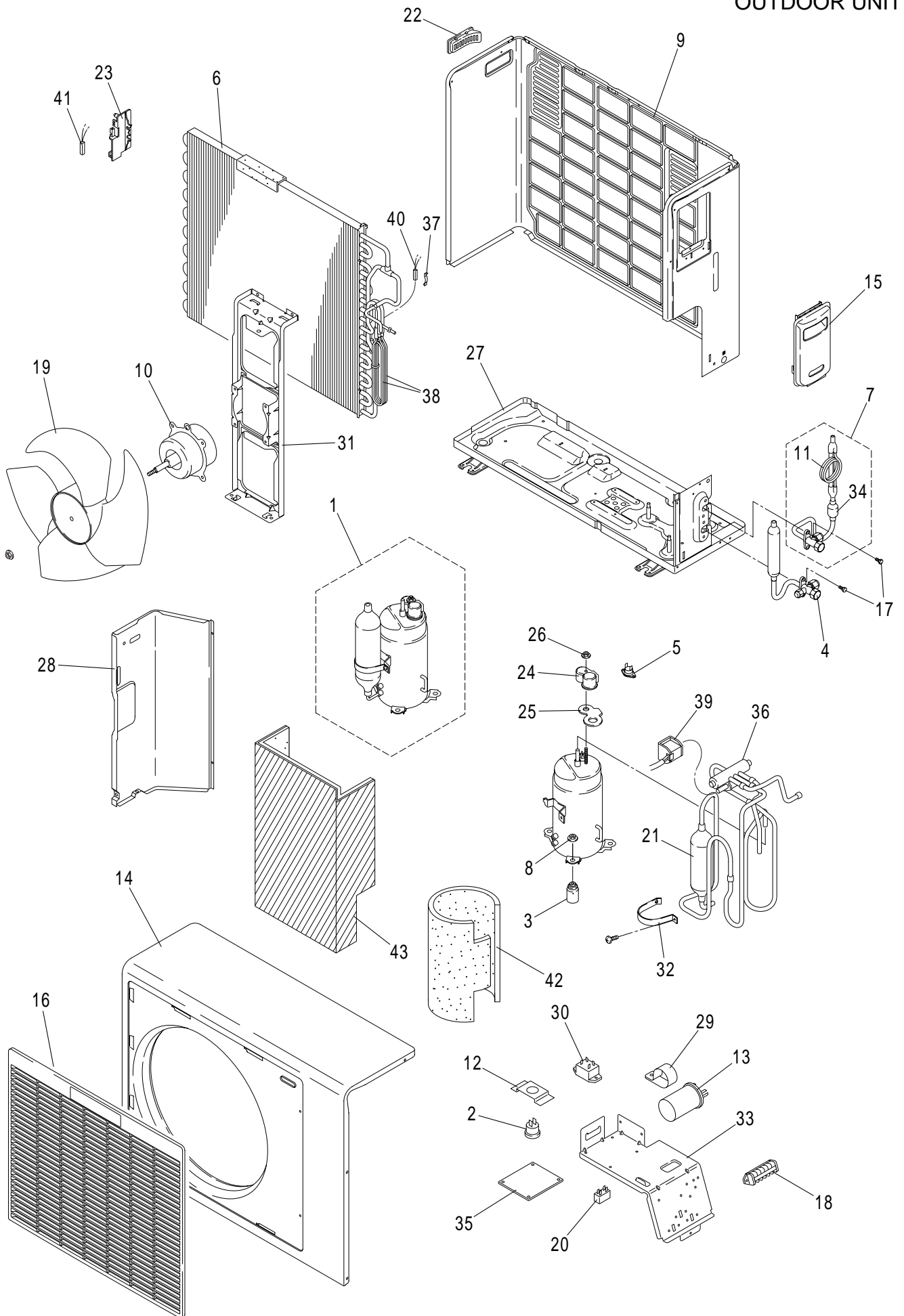
| |
|----------|
| File No. |
|----------|

Air Conditioner

OUTDOOR UNIT
SAP-C71GH/R

| Model No. | Prod.Code | Volt-Phase-Hertz |
|---------------|--------------|------------------|
| SAP-C71GH/R-S | 1 852 068 87 | 220-240-1-50 |

SAP-C71GH/R
OUTDOOR UNIT



ATTENTION !

To ensure correct parts supply, please let us know followings, when you make service parts order:

1.Part No. 2.Description 3.Q'ty 4.Volts-Hz-Ph 5.Product Model No.

SAP-C71GH/R
OUTDOOR UNIT

| Key No. | Part No. | Description | Q'ty | Reference No. |
|---------|--------------|-----------------------------------|------|------------------|
| * 1 | 623 139 3423 | Compressor Ass'y | 0 | 852-0-4516-30000 |
| * 2 | 623 149 6957 | Over road Relay MRA99802-9201 | 1 | 1FA-4-S2C0-00100 |
| 3 | 623 155 5609 | Cushion Rubber | 3 | 852-2-2390-22800 |
| 4 | 623 151 3388 | Valve Ass'y 3/8 in. | 1 | 852-0-4501-89900 |
| * 5 | 623 097 8898 | Thermostat CS-7C115 | 1 | 4-2339-60026 |
| 6 | 623 151 3371 | Condenser Ass'y | 1 | 852-0-4102-76000 |
| 7 | 623 151 3364 | Valve Ass'y 1/4 in. | 1 | 852-0-4501-90100 |
| 8 | 623 029 6534 | Nut Special Ass'y | 3 | 851-0-2395-10501 |
| 9 | 623 151 3203 | Rear Panel | 1 | 852-2-1120-25601 |
| * 10 | 623 151 3401 | Fan Motor UE6-21AH5PC-S | 1 | 525-0-0000-81155 |
| 11 | 623 151 3395 | Capillary Tube OD3 ID1.2 L450 | 1 | 852-2-4268-20700 |
| 12 | 623 145 9846 | Mounting | 1 | 851-2-2340-10410 |
| * 13 | 623 097 2339 | Fixed Capacitor WME-RS 400V/20MF | 1 | 4-2239-56333 |
| 14 | 623 155 5616 | Cabinet | 1 | 852-2-1112-24901 |
| 15 | 623 150 7288 | Cover Plate Ass'y | 1 | 852-0-5302-17400 |
| 16 | 623 151 2688 | Guard Ass'y | 1 | 852-0-1111-16900 |
| 17 | 623 090 6907 | Deltite Screw | 4 | 3-9201-61601 |
| 18 | 623 151 3425 | Terminal Base OPSA-20-9P | 1 | 1FA-4-J3A0-08600 |
| 19 | 623 150 7349 | Propeller Fan | 1 | 852-2-2502-14001 |
| * 20 | 623 001 1618 | Fixed Capacitor UPMDD-440V//1.5MF | 1 | 4-2239-56158 |
| 21 | 623 103 9307 | Accumulator Ass'y | 1 | 851-0-4507-15200 |
| 22 | 623 150 7332 | Handle | 1 | 852-2-2303-12301 |
| 23 | 623 151 1209 | Mounting Thermostat | 1 | 852-2-5303-22600 |
| 24 | 626 040 0765 | Cover Terminal | 1 | 801-2-6194-13300 |
| 25 | 626 040 1021 | Gasket Terminal | 1 | 801-2-5303-14800 |
| 26 | 626 040 0888 | Nut 5mm | 1 | 801-2-8305-10100 |
| 27 | 623 155 5623 | Bottom Plate Ass'y | 1 | 852-0-2202-69500 |
| 28 | 623 151 3227 | Partition Plate Ass'y | 1 | 852-0-2209-25300 |
| 29 | 623 054 8022 | Clip, Capacitor | 1 | 852-2-5301-21201 |
| * 30 | 623 002 4762 | Relay DFU24D1-F(M) | 1 | 4-2329-56282 |
| 31 | 623 151 3241 | Mounting Plate, Fan Motor | 1 | 852-2-2354-21011 |
| 32 | 623 051 3907 | Band Mounting | 1 | 852-2-2356-17201 |
| 33 | 623 151 2732 | Elec. Component Box | 1 | 852-2-5307-56501 |
| 34 | 623 043 4059 | Strainer Ass'y | 1 | 852-0-4506-14000 |
| * 35 | 623 138 2991 | P.C.B. Ass'y POW-C96GH-S | 1 | 851-0-5172-31100 |
| 36 | 623 146 3836 | Solenoid Valve Ass'y | 1 | 852-0-4509-13200 |
| 37 | 623 054 8640 | Mounting Thermostat | 1 | 852-2-5303-14900 |
| 38 | 623 151 3449 | Capillary Tube OD3 ID1.0 L100 | 2 | 852-2-4268-20600 |
| 39 | 623 151 3432 | Magnetic Coil LB81012 | 1 | 1FA-4-L8A0-02300 |
| * 40 | 623 002 9149 | Thermostat TRS02-12MSR | 1 | 4-2339-56176 |
| * 41 | 623 155 5630 | Thermostat Other TRS02-M10MSR430 | 1 | 1FA-4-S4Z0-00800 |
| 42 | 623 053 0409 | Insulation | 1 | 852-2-2476-16800 |
| 43 | 623 154 3026 | Insulation | 1 | 852-2-2476-48800 |

NOTE: Metal and plastic parts will be supplied basically with necessary heat insulation pads or packing. Each key number with an asterisk (*) means the recommended service parts.



SANYO Electric Co.,Ltd
Osaka, Japan
2/00 Printed in Japan