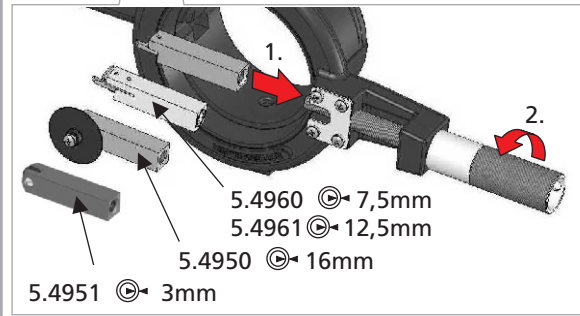
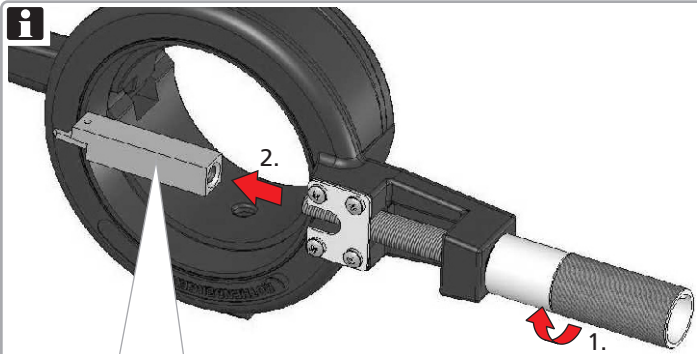


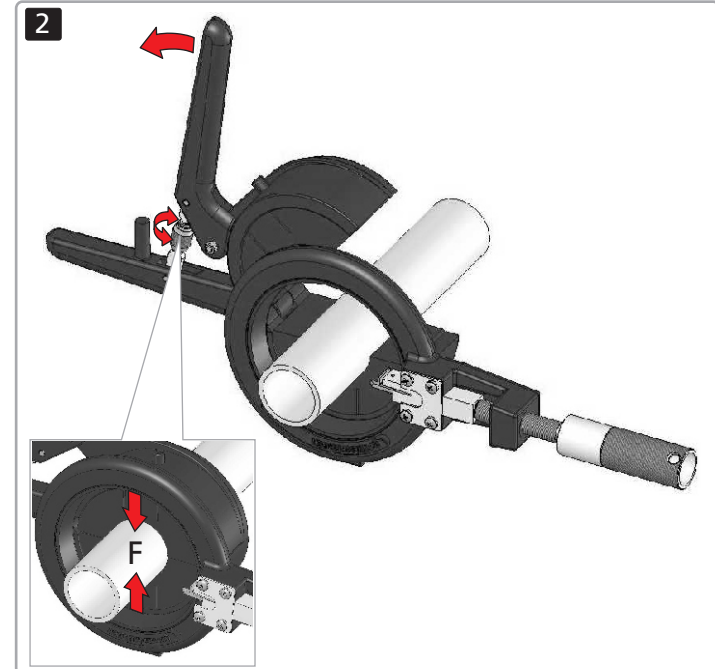
OPERATING



1

ROCUT 110		ROCUT 160	
\odot mm	Nr. / no.	\odot mm	Nr. / no.
100	5.5048	140	5.5031
90	5.5021	125	5.5032
80	5.5047	110	5.5033
78	5.5062		
75	5.5022		
63	5.5023		
58	5.5013		
56	5.5024		
52	5.5034		
50	5.5025		
40	5.5027		
32	5.5026		

RAIN MAX:
87 5.5093
60 5.5044



3a

PVC-PE-PP-PEX-PB-PVDF

1. 1x 1/2
2. 2-3x 360°
3. 1x 1/2
4. 2-3x 360°
...

3b

Cu-TiZn-St
PVC-PE-PP-PVDF
PE-PP-PEX-PB

1. 1x 1/4
2. 1x 360°
3. 1x 1/4
4. 1x 360°
...

i