

# RP 350/ RP 351

EN	P.	1
FR	P.	15
ES	P.	31
DE	P.	47
NL	P.	63
IT	P.	81
PT	P.	97
SV	P.	113
DA	P.	129
NO	P.	145
FI	P.	161
PL	P.	175
CZ	P.	191
SK	P.	207
RO	P.	223
HU	P.	239
EL	P.	255
HR	P.	273
SL	P.	289
SR	P.	305
RU	P.	321
TR	P.	339
KK	P.	355

# RIDGID®



## RIDGE TOOL COMPANY

## Table of Contents

<b>Recording Form For Machine Serial Number</b> .....	1
<b>Safety Symbols/Symbols</b> .....	2
<b>General Power Tool Safety Warnings</b>	
Work Area Safety .....	2
Electrical Safety .....	2
Personal Safety .....	3
Power Tool Use And Care .....	3
Battery Tool Use And Care .....	3
Service .....	4
<b>Specific Safety Information</b>	
Press Tool Safety.....	4
<b>RIDGID® Contact Information</b> .....	4
<b>Description</b> .....	4
<b>Specifications</b>	
Standard Equipment .....	7
<b>Pre-Operation Inspection</b> .....	7
<b>Set-Up And Operaton</b> .....	8
Removing/Installing Attachment .....	8
Preparing Connection .....	8
Pressing A Fitting With Typical Scissor Jaws .....	9
Pressing A Fitting With Typical Actuator And Press Ring Set .....	10
Inspecting The Pressed Connection .....	10
Bluetooth Functions (Wireless Data Transfer).....	10
Cold Weather Operation .....	10
<b>Storage</b> .....	11
<b>Maintenance Instructions</b>	
Cleaning And Lubrication.....	11
Service And Repair .....	11
Troubleshooting .....	12
<b>Optional Equipment</b> .....	12
<b>Disposal</b> .....	13
<b>Electromagnetic Compatibility (EMC)</b> .....	14
<b>FCC/ISED Statement)</b> .....	14
<b>EC Declaration of Conformity</b> .....	Inside Back Cover
<b>Lifetime Warranty</b> .....	Back Cover

\*Original Instructions - English

# RP 350/RP 351

## Press Tools



### **⚠ WARNING!**

Read this Operator's Manual carefully before using this tool. Failure to understand and follow the contents of this manual may result in electrical shock, fire and/or serious personal injury.

#### **RP 350/RP 351 Press Tools**


Record Serial Number below and retain product serial number which is located on nameplate.

Serial  
No.


--	--


## Safety Symbols/Symbols

In this operator's manual and on the product, safety symbols and signal words are used to communicate important safety information. This section is provided to improve understanding of these signal words and symbols.


 This is the safety alert symbol. It is used to alert you to potential personal injury hazards. Obey all safety messages that follow this symbol to avoid possible injury or death.


 **DANGER** DANGER indicates a hazardous situation which, if not avoided, will result in death or serious injury.


 **WARNING** WARNING indicates a hazardous situation which, if not avoided, could result in death or serious injury.


 **CAUTION** CAUTION indicates a hazardous situation which, if not avoided, could result in minor or moderate injury.


**NOTICE** NOTICE indicates information that relates to the protection of property.


 This symbol means read the operator's manual carefully before using the equipment. The operator's manual contains important information on the safe and proper operation of the equipment.


 This symbol means always wear safety glasses with side shields or goggles when handling or using this equipment to reduce the risk of eye injury.


 This symbol indicates the risk of hands, fingers or other body parts being crushed.


 This symbol indicates the risk of electrical shock.

 This symbol indicates that the product is For Indoor Use Only.

 This symbol indicates that the product is Class II equipment.

 This symbol indicates this is electrical equipment that should not be disposed of with household waste. See "Disposal" section.

 This symbol indicates this is electrical equipment meets the requirements of the applicable EC directives.

 This symbol indicates the year of manufacture of the product.

## General Power Tool Safety Warnings\*

 **WARNING**  
**Read all safety warnings, instructions, illustrations and specifications provided with this power tool. Failure to follow all instructions listed below may result in electric shock, fire and/or serious injury.**

### SAVE ALL WARNINGS AND INSTRUCTIONS FOR FUTURE REFERENCE!

The term "power tool" in the warnings refers to your mains-operated (corded) power tool or battery-operated (cordless) power tool.

### Work Area Safety

- **Keep your work area clean and well lit.** Cluttered or dark areas invite accidents.
- **Do not operate power tools in explosive atmospheres, such as in the presence of flammable liquids, gases, or dust.** Power tools create sparks which may ignite the dust or fumes.
- **Keep children and by-standers away while operating a power tool.** Distractions can cause you to lose control.

## Electrical Safety

- **Power tool plugs must match the outlet. Never modify the plug in any way. Do not use any adapter plugs with earthed (grounded) power tools.** Unmodified plugs and matching outlets will reduce risk of electric shock.
- **Avoid body contact with earthed or grounded surfaces such as pipes, radiators, ranges and refrigerators.** There is an increased risk of electrical shock if your body is earthed or grounded.
- **Do not expose power tools to rain or wet conditions.** Water entering a power tool will increase the risk of electrical shock.
- **Do not abuse the cord. Never use the cord for carrying, pulling or unplugging the power tool. Keep cord away from heat, oil, sharp edges or moving parts.** Damaged or entangled cords increase the risk of electric shock.
- **When operating a power tool outdoors, use an extension cord suitable for outdoor use.** Use of a cord suitable for outdoor use reduces the risk of electric shock.

\* The text used in the General Power Tool Safety Warnings section of this manual is verbatim, as required, from the applicable UL/CSA 62841-1 standard. This section contains general safety practices for many different types of power tools. Not every precaution applies to every tool, and some do not apply to this tool.



- **If operating a power tool in a damp location is unavoidable, use a ground fault circuit interrupter (GFCI) protected supply.** Use of a GFCI reduces the risk of electric shock.

### Personal Safety

- **Stay alert, watch what you are doing and use common sense when operating a power tool. Do not use a power tool while you are tired or under the influence of drugs, alcohol, or medication.** A moment of inattention while operating power tools may result in serious personal injury.
- **Use personal protective equipment. Always wear eye protection.** Protective equipment such as dust mask, non-skid safety shoes, hard hat, or hearing protection used for appropriate conditions will reduce personal injuries.
- **Prevent unintentional starting. Ensure the switch is in the OFF-position before connecting to power source and/or battery pack, picking up or carrying the tool.** Carrying power tools with your finger on the switch or energizing power tools that have the switch ON invites accidents.
- **Remove any adjusting key or wrench before turning the power tool ON.** A wrench or a key left attached to a rotating part of the power tool may result in personal injury.
- **Do not overreach. Keep proper footing and balance at all times.** This enables better control of the power tool in unexpected situations.
- **Dress properly. Do not wear loose clothing or jewelry. Keep your hair, clothing, and gloves away from moving parts.** Loose clothes, jewelry, or long hair can be caught in moving parts.
- **If devices are provided for the connection of dust extraction and collection facilities, ensure these are connected and properly used.** Use of dust collection can reduce dust-related hazards.
- **Do not let familiarity gained from frequent use of tools allow you to become complacent and ignore tool safety principles.** A careless action can cause severe injury within a fraction of a second.

### Power Tool Use And Care

- **Do not force power tool. Use the correct power tool for your application.** The correct power tool will do the job better and safer at the rate for which it was designed.
- **Do not use power tool if the switch does not turn it ON and OFF.** Any power tool that cannot be con-

trolled with the switch is dangerous and must be repaired.

- **Disconnect the plug from the power source and/or remove the battery pack from the power tool before making any adjustments, changing accessories, or storing power tools.** Such preventive safety measures reduce the risk of starting the power tool accidentally.
- **Store idle power tools out of the reach of children and do not allow persons unfamiliar with the power tool or these instructions to operate the power tool.** Power tools are dangerous in the hands of untrained users.
- **Maintain power tools and accessories. Check for misalignment or binding of moving parts, breakage of parts and any other condition that may affect the power tool's operation. If damaged, have the power tool repaired before use.** Many accidents are caused by poorly maintained power tools.
- **Keep cutting tools sharp and clean.** Properly maintained cutting tools with sharp cutting edges are less likely to bind and are easier to control.
- **Use the power tool, accessories and tool bits etc. in accordance with these instructions, taking into account the working conditions and the work to be performed.** Use of the power tool for operations different from those intended could result in a hazardous situation.
- **Keep handles and grasping surfaces dry, clean and free from oil and grease.** Slippery handles and grasping surfaces do not allow for safe handling and control of the tool in unexpected situations.

### Battery Tool Use And Care

- **Recharge only with the charger specified by the manufacturer.** A charger that is suitable for one type of battery pack may create a risk of fire when used with another battery pack.
- **Use power tools only with specifically designated battery packs.** Use of any other battery packs may create a risk of injury and fire.
- **When battery pack is not in use, keep it away from other metal objects, like paper clips, coins, keys, nails, screws or other small metal objects that can make a connection from one terminal to another.** Shorting the battery terminals together may cause burns or a fire.
- **Under abusive conditions, liquid may be ejected from the battery; avoid contact. If contact accidentally occurs, flush with water. If liquid contacts**

eyes, additionally seek medical help. Liquid ejected from the battery may cause irritation or burns.

- **Do not use a battery pack or tool that is damaged or modified.** Damaged or modified batteries may exhibit unpredictable behavior resulting in fire, explosion or risk of injury.
- **Do not expose a battery pack or tool to fire or excessive temperature.** Exposure to fire or temperature above 265 °F (130 °C) may cause explosion.
- **Follow all charging instructions and do not charge the battery pack or tool outside the temperature range specified in the instructions.** Charging improperly or at temperatures outside the specified range may damage the battery and increase the risk of fire.

### Service

- **Have your power tool serviced by a qualified repair person using only identical replacement parts.** This will ensure that the safety of the power tool is maintained.

## Specific Safety Information

### **⚠ WARNING**

**This section contains important safety information that is specific to this tool.**

**Read these precautions carefully before using the press tools to reduce the risk of electrical shock, or other serious injury.**

### **SAVE ALL WARNINGS AND INSTRUCTIONS FOR FUTURE REFERENCE!**

A compartment in the tool carrying case is included to keep this manual with the tool for use by the operator.

### Press Tool Safety

- **Keep your fingers and hands away from pressing attachments during press cycle.** Your fingers or hands can be crushed, fractured or amputated if they become caught between the attachment or between these components and any other object.
- **Never attempt to repair damaged pressing attachments (jaws, press ring, actuator, etc.). Discard the entire damaged attachment.** An attachment that has been welded, ground, drilled or modified in any manner can shatter during pressing resulting in serious injury. Failure to replace the entire pressing attachment may result in component failure and serious injury.
- **Large forces are generated during product use that can break or throw parts and cause injury.** Stand clear during use and wear appropriate protective equipment, including eye protection.

- **Only use RIDGID® Press Tools with appropriate RIDGID or RIDGID approved Pressing attachments (jaws, press rings, actuators, etc.).** Other uses or modifying the Press Tools for other applications may damage the press tool, damage the attachments and/or cause personal injury.
- **Use proper tool, attachment and fitting combinations.** Improper combinations can result in an incomplete joint, which increase the risk of leaks, equipment damage and injury.
- **Before operating a RIDGID® Press Tool, read and understand:**
  - This operator’s manual
  - The attachment instructions
  - The battery/charger manual
  - The fitting manufacturer’s installation instructions
  - The instructions for any other equipment or material used with this tool

Failure to follow all instructions and warnings may result in property damage and/or serious injury.

## RIDGID® Contact Information

If you have any question concerning this RIDGID® product:

- Contact your local RIDGID distributor.
- Visit RIDGID.com to find your local RIDGID contact point.
- Contact Ridge Tool Technical Service Department at [rtctechservices@emerson.com](mailto:rtctechservices@emerson.com), or in the U.S. and Canada call (800) 519-3456.

## Description

The RIDGID® RP 350 and RP 351 Press Tools, when used with appropriate attachments, are designed to mechanically press fittings onto tubing to create a water-tight and permanent seal, such as for plumbing, heating, air conditioning, and refrigeration applications. Attachments are also available for other uses.

When the run switch on the press tool is depressed, an internal electric motor powers a hydraulic pump which sends fluid into the cylinder of the tool, moving the ram forward and applying force to the attachment, pressing the fitting. The press cycle takes approximately 4 seconds. Once the cycle begins to deform a fitting, it will automatically continue until completion, even if the run switch is released.

The tool includes a second operating mode (“Control Mode”) that can be turned on using the RIDGID Link App. Control Mode allows the fitting to be engaged prior to

pressing to allow confirmation of proper alignment of the attachment, fitting and tube.

The Tool Status Lights indicate things such as tool status, battery status, maintenance required, or improper temperature. A work light turns ON when the run switch is depressed to illuminate the work area. The head can be rotated 360° for better access in tight spaces.

The tools are supplied with fabric loops that can be used with appropriate attachments such as shoulder straps or tie off lines.



Figure 1 – RIDGID RP 350 Press Tool and Standard Series Jaw

The press tools include Bluetooth® wireless technology to allow connection to smartphones and tablets. See “Bluetooth Functions (Wireless Data Transfer)” section for details.

\* The Bluetooth® word mark and logos are registered trademarks by Bluetooth SIG, inc and any use of such marks by Emerson Electric Co. is under license. Other trademarks and trade names are those of their respective owners.



Figure 2 – RIDGID RP 351 Press Tool and Standard Series Jaw

#	Description
1	Scissor Style Jaw Set
2	Attachment Mounting Pin
3	Tool Status Lights
4	ON/OFF Button
5	Warning Label (RP 351 Underside)
6	Fabric Loop
7	Pressure Release Button (RP 351 Far Side)
8	Handle
9	Battery
10	Run Switch
11	LED Work Light
12	Jaw Sideplate



Figure 3 – Machine Serial Number - Circled digits indicate the year and month of the manufacture. (YY = year, MM = month).


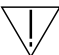



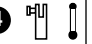
Control	Marking	Description
On/Off Button		Main tool power switch. (I = ON, O = OFF). ON: Press button until light turns ON. <i>See Figure 5 – Tool Status Lights.</i> OFF: Press button until light turns OFF. Tool will automatically turn OFF if left unused for ten (10) minutes.
Run Switch	—	<b>Turn On Work Light:</b> slightly depress run switch. <b>Normal Mode:</b> Depress run switch to start press cycle, release when tool locks on. Normal mode is factory setting. <b>Control Mode:</b> Depress run switch to engage attachment on workpiece. Make adjustments as necessary. Press the run switch again to start press cycle, release when tool locks on. Releasing the switch will not stop the tool once it has locked on. This assures consistent, repeatable press connection integrity. Mode can be changed with RIDGID Link App, <i>see Bluetooth Functions</i> section.
Pressure Release Button		Allows tool to be released without completing press. If used, press connection is not complete and must be repeated.
Attachment Mounting Pin	—	Holds attachment to tool. Must be fully inserted for tool to operate. <i>See Figure 6.</i>

Figure 4 – Controls Chart

	Light Segment Number (Light Continuously On)				Description
					
	—	—	—	—	Press tool off (OFF).
Green	Green	Green	Green	Green	ON button pressed, lights on 4 seconds at start up, tool in "Normal Mode".
Blue	Blue	Blue	Blue	Blue	ON button pressed, lights on 4 seconds at start up, tool in "Control Mode" - see <i>Bluetooth Functions</i> section to change mode.
Green	—	—	—	—	Press tool is in Normal Mode, standby, press tool ready to operate.
Red	Yellow	Yellow	Yellow	Yellow	Tool has malfunctioned. Tool will not operate. Remove and reinsert battery or AC Adapter. If light still on, have tool serviced.
Red	—	—	—	—	Tool has malfunctioned. Tool will not operate. Remove and reinsert battery or AC Adapter. If red light still on, have tool serviced.
Yellow	—	Red	Red	Red	Tool and/or battery out of Specification temperature range. Tool will not operate. Bring the tool and battery to correct operating temperature range.
Yellow	—	—	Red	Red	Attachment mounting pin is not fully inserted. Tool will not operate. Fully insert pin. If lights still on, have tool serviced.
Yellow	Red	—	—	—	Battery low. Tool will not operate. Recharge battery/Insert fully charged battery.
Green	Blue	Blue	Blue	Blue	Bluetooth connection established, standby, press tool ready to operate - For further information see section on <i>Bluetooth Functions</i> .
		Purple			Firmware update in process, tool cannot be used while updating.

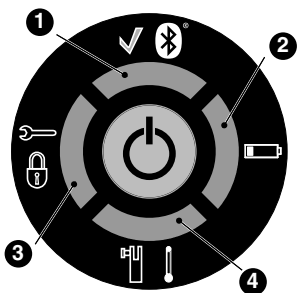




Figure 5 – Tool Status Lights

## Specifications

<b>RP 350 Pistol Press Tool</b>	<b>RP 351 Inline Press Tool</b>
Attachments.....RIDGID Standard Series	RIDGID Standard Series
Stroke Length .....1.57" (40 mm)	1.57" (40 mm)
<b>Motor</b>	
Voltage .....18 V DC rated	18 V DC rated
Amperage.....23 A	23 A
Power.....480 Watts	480 Watts
Ram Force.....7,200 lbs. (32 kN)	7,200 lbs. (32 kN)
Head Rotation.....360°	360°
Duty Cycle .....3 Press  /min.	3 Press  /min
Power Supply .....RIDGID RB-18XX Series 18 V Li-Ion Battery Pack or RIDGID RPA 120/220 AC Power Adapter (See <i>Optional Equipment Section</i> )	
Bluetooth Range .....33 ft. (10 m)	33 ft. (10 m)
Permissible Humidity .....80% maximum	80% maximum
<b>Operating Temperature</b>	
Range.....15° F to 122° F (-10° C to 50° C)	15° F to 122° F (-10° C to 50° C)
Storage Temperature.....32° F to 113° F (0° C to 45° C)	32° F to 113° F (0° C to 45° C)
<b>Weight (no battery/ attachment).....</b>	
7.83 lbs (3.55 kg)	7.83 lbs (3.55 kg)
<b>Dimensions.....</b>	
11.3" x 11.0" x 3.1" 287 mm x 279 mm x 77 mm	15.7" x 4.65" x 3.1" 398 mm x 118 mm x 77 mm
<b>Sound Pressure (L<sub>PA</sub>)* .....&lt;74.5 dB(A), K=3 dB(A)</b>	<74.5 dB(A), K=3 dB(A)
<b>Vibration* .....&lt;1.13 m/s<sup>2</sup>, K=1.5</b>	<1.13 m/s <sup>2</sup> , K=1.5

\* Sound and Vibration measurements are measured in accordance with a standardized test per Standard EN 62481-1.  
 - Vibration levels may be used for comparison with other tools and for preliminary assessment of exposure.  
 - Sound and vibration emissions may vary due to your location and specific use of these tools.  
 - Daily exposure levels for sound and vibration need to be evaluated for each application and appropriate safety measures taken when needed. Evaluation of exposure levels should consider the time a tool is switched OFF and not in use. This may significantly reduce the exposure level over the total working period.

### Standard Equipment

Refer to the RIDGID catalog for details on equipment supplied with specific tool catalog numbers.

NOTE! RIDGID press tool attachments are offered in two "series"

- Standard Series
- Compact Series

These attachment series are not interchangeable. Standard series attachments will only work with standard series tools (RP 350, RP 351, RP 342-XL, RP 340, RP 330, 320-E, CT-400). Compact series attachments will only work with compact series tools (RP 240, RP 241, RP 200, RP 210, 100B).

**NOTICE** Selection of appropriate materials and joining methods is the responsibility of the system designer and/or installer. Before any installation is attempted, careful evaluation of the specific service environment, including

chemical environment and service temperature, should be completed. Consult Press Fitting System manufacturer for selection information.

### Pre-Operation Inspection

 **WARNING**





**Daily before use, inspect your press tool and correct any problems to reduce the risk of serious injury from electric shock, crushing injuries, attachment failure and other causes, and prevent tool damage.**

1. Switch OFF the tool and remove battery/AC Adapter from tool.
2. Clean any oil, grease or dirt from the equipment, especially the handles and controls. This aids inspec-



tion and helps to prevent the tool or controls from slipping from your grip.

3. Inspect the press tool for:
  - Proper assembly, maintenance and completeness.
  - Any broken, worn, missing, misaligned or binding parts. Confirm fabric loops are in good condition.
  - Smooth movement of attachment mounting pin between the fully open and fully closed position. Pin should lock into each position. Confirm that the run switch moves freely and does not bind or stick.
  - Presence and readability of warning label (Figure 6).
  - Any other condition which may prevent safe and normal operation.

Do not use the press tool until problems have been repaired.



Figure 6 – Status Lights/Warning Label

4. Inspect and maintain tool attachments per their instructions. Remove attachment from the tool. Confirm that attachments are in good condition and clearly marked as to use.
5. Inspect and maintain any other equipment being used per its instructions to make sure it is functioning properly.

## Set-Up and Operation

### **⚠ WARNING**



**Keep your fingers and hands away from the tool attachment during the press cycle. Your fingers or hands can be crushed, fractured or amputated in the attachment, tool, between the tool and attachment, work piece and other objects.**

**Large forces are generated during product use that can break or throw parts and cause injury. Stand clear during use and wear appropriate protective equipment, including eye protection.**

**Use proper tool, attachment and fitting combinations. Improper combinations can result in an incomplete press connection, which increases the risk of leaks, equipment damage and injury.**

**Use proper tool, attachment and fitting combinations. Improper combinations can result in an incomplete press connection, which increases the risk of leaks, equipment damage and injury.**

### **Follow Set-up and Operation to reduce the risk of injury from crushing and other causes and to prevent tool damage.**

1. Confirm appropriate work area (See *General Power Tool Safety Warnings*). Operate in a clear, level, stable, dry location. Do not use tool while standing in water.
2. Inspect the work to be done and determine the correct RIDGID tool and RIDGID attachment for the application per their specifications. Using incorrect equipment for an application can cause injury, damage the tool and make incomplete connections.
3. Confirm all equipment has been inspected and set up as directed in their instructions.

### Removing/Installing Attachment

1. Switch OFF the tool and remove battery/AC Adapter from tool.
2. Fully open the attachment mounting pin. Remove/insert the appropriate attachment (Figure 7).
3. Fully close the attachment mounting pin until it locks into the closed position. Attachment mounting pin must be fully closed to prevent tool damage during use. Tool lights will be lit to indicate, see Figure 5 for Tool Status Lights.

**NOTE!** Do not operate tool without the attachment in place, this can damage the tool.



Figure 7 – Attachment Mounting Pin

### Preparing Connection

**NOTICE** These instructions are generalized practices for several types of press tool attachments. Always follow the specific instructions for the press tool attachment being used and the fitting manufacturers' specific installation instructions to reduce the risk of improper press connections and extensive property damage.

1. Prepare the press connection according to the fitting manufacturer's instructions.

2. With dry hands, insert a fully charged battery or AC Adapter into tool. If using the corded power adapter with a GFCI, the GFCI (RCD) should have a rated residual current of 30 mA or less. Depress ON/OFF button one time to turn tool ON. All LEDs will be lit green indicating that the tool is ready to use. See *Figure 5 – Tool Status Lights* for any other light.

### Pressing A Fitting With Typical Scissor Jaws

1. Properly hold the tool with both hands.

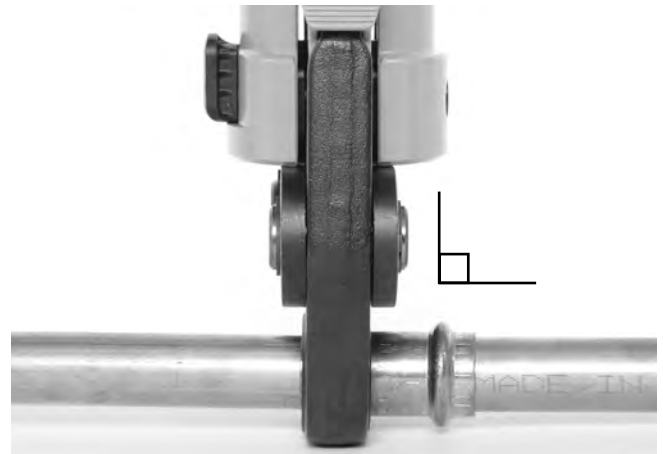


**Figure 8 – Holding the Tool**

2. Squeeze jaw arms to open jaws.
3. Place open jaws around fitting (*Figure 9*). Properly align jaw press profile with contour of the fitting as specified in Fitting Manufacturer’s Installation Instructions. Release jaw arms to close jaws around fitting. Do not hang jaw set from fitting. Tool could unexpectedly drop and cause serious injury or death.



**Figure 9 – Placing Scissor-Style Jaws Around Fitting**



**Figure 10 – Jaws Square to Fitting**

4. Confirm jaw is appropriately placed and square to fitting (*Figure 10*). Keep fingers and hands away from the jaws to avoid crushing injuries in jaws or between jaws and surroundings.

**Normal Mode:** Depress the run switch (*Figures 1 & 2*). Once the tool cycle begins and the rollers contact the jaw arms, the tool will lock-on and automatically complete the cycle. Releasing the switch will not stop the tool once it has locked on. This assures consistent, repeatable press connection integrity.

**Control Mode:** Depress the run switch (*Figures 1 & 2*). The jaws will engage the fitting but the press connection is not made. Make adjustments as necessary. Press the run switch again, the tool will lock-on and automatically complete the cycle. Releasing the switch will not stop the tool once it has locked on. This assures consistent, repeatable press connection integrity.

If tool must be removed before a press connection is completed, depress the pressure release button (*Figures 1 & 2*).

**NOTICE** Any time release button is depressed, the press connection is NOT complete and the fitting must be pressed again to ensure completion. If the tool malfunctions during operation, use this procedure.

5. Release the run switch.
6. Squeeze jaw arms to open jaws.
7. Remove jaw from fitting. Avoid sharp edges that may have formed on fitting during pressing operation.
8. When operation is complete, depress ON/OFF button one time to turn tool OFF. Remove battery or AC Adapter from tool.

### Pressing A Fitting With Typical Actuator And Press Ring Set

1. Open ring and place around fitting. Properly align ring press profile with contour of the fitting as specified in *Fitting Manufacturer's Installation Instructions*. Release ring to close around fitting (*Figure 11*).
2. Confirm appropriate actuator is properly installed in tool. Squeeze actuator arms to open the actuator tips. Align actuator tips with ring pockets. Release actuator arms and fully engage actuator tips into ring pockets (*Figure 12*). Misaligning actuator tip to ring pocket can damage the ring or actuator during pressing. Do not hang tool and actuator from press ring. Tool could unexpectedly drop and cause serious injury or death.



Figure 11 – Installing Press Ring Onto Fitting



Figure 12 – Attaching Actuator to Press Ring

3. Confirm ring is appropriately placed and square to fitting. Keep fingers and hands away from the actuator and ring to avoid crushing injuries in attachment or between attachment and surroundings.

**Normal Mode:** Depress the run switch (*Figures 1 & 2*). Once the tool cycle begins and the rollers contact the jaw arms, the tool will lock-on and automatically com-

plete the cycle. Releasing the switch will not stop the tool once it has locked on. This assures consistent, repeatable press connection integrity.

**Control Mode:** Depress the run switch (*Figures 1 & 2*). The jaws will engage the fitting but the press connection is not made. Make adjustments as necessary. Press the run switch again, the tool will lock-on and automatically complete the cycle. Releasing the switch will not stop the tool once it has locked on. This assures consistent, repeatable press connection integrity.

4. If tool must be removed before a press connection is completed, depress the pressure release button (*Figures 1 & 2*).

**NOTICE** Any time release button is depressed, the press is NOT complete and the press connection must be pressed again to ensure completion. If the tool malfunctions during operation, use this procedure.

5. Release the run switch.
6. Squeeze actuator arms to open actuator. Remove actuator from fitting.
7. Remove ring from fitting. Avoid sharp edges that may have formed on fitting during pressing operation.
8. When operation is complete, depress ON/OFF button one time to turn tool OFF. Remove battery or AC Adapter from tool.

### Inspecting The Pressed Connection

1. Inspect the pressed fitting for:
  - Full insertion of tube into fitting.
  - Excessive misalignment of the tubes. A slight amount of misalignment at a press connection is considered normal.
  - Incorrect attachment alignment with the fitting contour. Distorted or deformed fitting.
  - Any other issues per the fitting manufacturer. This could include the removal of a control ring or decal (used to indicate the connection has not yet been pressed).

If any issues are found, remove fitting and install a new press connection.

2. Test the press connection in accordance with connector manufacturer instructions, normal practice and applicable codes.

### Bluetooth Functions (Wireless Data Transfer)

The RIDGID® RP 350 and RP 351 Press Tools include Bluetooth® wireless technology allowing wireless data



transfer to properly equipped smartphones or tablets (“devices”) running iOS or Android operating systems.

1. Download the appropriate RIDGID® Link app to your device by going to RIDGID.com/apps, the Google Play Store or the Apple App Store.
2. When the tool is ON, a Bluetooth wireless technology equipped device can find and pair with the press tool. In the Bluetooth settings of your device, select desired RIDGID tool. Refer to your device instructions for specific information on how to connect via Bluetooth wireless technology. Once connected, the green-blue-blue-blue tool status lights will be lit.  
  
After the initial pairing, most devices will automatically connect to the Tools when the Bluetooth wireless technology is active and in range and if device settings are configured to do so. Press tools should be less than 33 ft. (10 m) from the device to be detected. Any obstacle between the tool and device can reduce the operational range.
3. Follow the app instructions for proper use. The mode of operation can be changed via app. The app also allows monitoring of tool cycles.
4. The wireless data transfer turns OFF when the press tool is switched OFF. Turn Bluetooth wireless device OFF to reduce device battery drain.

### Cold Weather Operation

As temperature drops, hydraulic fluid thickens and battery performance degrades. To reduce the risk of improper operation, the RP 350 and RP 351 will not operate outside of the specification temperature range as indicated by the tool status lights (*Figure 5*).

When ambient conditions are outside the specification temperature range, keep the tool and batteries in a conditioned space until ready to use.

### Storage

Remove battery or AC Adapter from the press tool. Store press tool and battery in case. Avoid storing in extreme heat or cold. The tool will not turn ON if the tool is outside the specification range. This will be indicated by the tool status lights. (*See Figure 5*)

**⚠ WARNING** Store tool in a dry, secured, locked area that is out of reach of children and people unfamiliar with the press tool. The tool is dangerous in the hands of untrained users.

## Maintenance Instructions

### ⚠ WARNING

**Make sure tool is switched OFF and battery or AC Adapter is removed from tool before performing maintenance or making any adjustment.**

### Cleaning And Lubrication

1. Wipe the tool clean daily with a clean dry cloth.
2. Inspect the attachment mounting pin and lubricate the pin with silicone lubricant as needed.
3. Check return springs in attachments with each use. Attachments should open and close freely with only moderate finger effort required.

## Service And Repair

### ⚠ WARNING

**Improper service or repair can make tool unsafe to operate.**

Service and repair on the RP 350 and RP 351 Press Tools must be performed by a RIDGID Independent Press Tool Service Center.

For information on your nearest RIDGID Authorized Independent Service Center or any service or repair questions see *Contact Information* section in this manual.

## Troubleshooting

SYMPTOM	POSSIBLE REASONS	SOLUTION
Tool will not turn ON when ON/OFF button is pressed.	Battery is completely discharged or battery has failed. Battery not properly inserted into handle of tool AC adapter not correctly inserted into the tool.	Insert fully charged battery/recharge battery.  Check to assure battery is fully inserted. Correctly insert AC adapter into tool.
Attachment is locked onto fitting.	Press connection was not successfully completed.	Push pressure release button to remove jaws from fitting. Inspect and repress fitting.
The pressed connections produced are not complete.	Used wrong jaw for the tube size or material. The tool was not square to the tube.  Attachment press contour was not aligned with the fitting contour.  Tool is in need of repair.	Install the correct attachment.  Redo the press connection with new fitting and new tube. Make sure that the tool is square to the tube.  Redo the joint with new tube and new fitting. Make sure the attachment press contour is aligned with the fitting contour.  Take for service.
Oil leaks from tool.	Seal or mechanical problems.	
Motor runs but tool will not complete a cycle.	Oil level low.	Take for service.
Tool stops during operation.	Oil level low.	

See Figure 5 – Tool Status Lights

## Optional Equipment

### **⚠ WARNING**

To reduce the risk of serious injury, only use equipment specifically designed and recommended for use with the RP 350 and RP 351 Press Tools, such as listed below.

### Battery and Adapter Packs

Catalog No.	Description
56513	RB-1825 18V 2.5 Ah Lithium Ion Battery
56518	RB-1850 18V 5.0 Ah Lithium Ion Battery
44468	120 AC Power Adapter – North America
43338	220 AC Power Adapter– Europe
44823	120 AC Power Adapter – China

## Chargers and Cords

Catalog No.		Region	Plug Type
64383	RBC-30 Charger	North America	A
56523	RBC-30 Charger	Europe	C
64388	RBC-30 Charger	China	A
64393	RBC-30 Charger	Australia	I
64378	RBC-30 Charger	Japan	A
64398	RBC-30 Charger	United Kingdom	G
64173	RBC-30 Charger Cord	North America	A
64183	RBC-30 Charger Cord	Europe	C

For a complete listing of RIDGID equipment available for these tools, see the Ridge Tool Catalog online at [RIDGID.com](http://RIDGID.com) or see *Contact Information*.

## Disposal

Parts of these tools contain valuable materials and can be recycled. There are companies that specialize in recycling that may be found locally. Dispose of the components in compliance with all applicable regulations. Contact your local waste management authority for more information.



**For EC Countries:** Do not dispose of electrical equipment with household waste!

According to the European Guideline 2012/19/EU for Waste Electrical and Electronic Equipment and its implementation into national legislation, electrical equipment that is no longer usable must be collected separately and disposed

of in an environmentally correct manner.

## **Electromagnetic Compatibility (EMC)**

The term electromagnetic compatibility is taken to mean the capability of the product to function smoothly in an environment where electromagnetic radiation and electrostatic discharges are present and without causing electromagnetic interference to other equipment.

**NOTICE** These tools conform to all applicable EMC standards. However, the possibility of them causing interference in other devices cannot be precluded. All EMC related standards that have been tested are called out in the tool's technical document.

## **FCC/ICES Statement**

This device complies with Part 15 of the FCC Rules. Operation is subject to the following two conditions:

1. This device may not cause harmful interference.
2. This device must accept any interference received, including interference that may cause undesired operation.

Modifications not expressly approved by this company could void the user's authority to operate the equipment.

This equipment has been tested and found to comply with the limits for a Class A digital device, pursuant to part 15 of the FCC Rules. These limits are designed to provide reasonable protection against harmful interference when the equipment is operated in a commercial environment. This equipment generates, uses, and can radiate radio frequency energy and, if not installed and used in accordance with the instruction manual, may cause harmful interference to radio communications. Operation of this equipment in a residential area is likely to cause harmful interference in which case the user will be required to correct the interference at his own expense.

This product complies with the Canadian ICES-003 Class A specifications. See *Declaration label on tool*.

# RP 350 et RP 351

## Sertisseuses



### **⚠ AVERTISSEMENT !**

Familiarisez-vous avec le manuel ci-présent avant d'utiliser l'appareil. Tout écart aux consignes données dans celui-ci augmenterait les risques de choc électrique, d'incendie et/ou de grave blessure corporelle.

#### **Sertisseuses RP 350 et RP 351**

Enregistrez ci-dessous pour future référence le numéro de série de l'appareil indiqué sur sa plaque signalétique.

N° de série

--	--

## Table des matières

Fiche d'enregistrement du numéro de série de l'appareil .....	15
Symboles et symboles de sécurité.....	17
<b>Consignes générales de sécurité</b>	
Sécurité des lieux.....	17
Sécurité électrique .....	17
Sécurité individuelle .....	18
Utilisation et entretien des appareils électriques .....	18
Utilisation et entretien des appareils à piles.....	19
Service après-vente .....	19
<b>Consignes de sécurité spécifiques</b>	
Sécurité de la sertisseuse .....	19
<b>Coordonnées RIDGID®</b> .....	20
<b>Description</b> .....	20
<b>Caractéristiques techniques</b>	
Equipements de série .....	23
<b>Inspection préalable</b> .....	24
<b>Préparation et utilisation</b> .....	24
Retrait et montage des têtes .....	24
Préparation des raccords.....	25
Sertissage des raccords à l'aide de mâchoires à cisaille typiques .....	25
Sertissage des raccords à l'aide d'actionneurs et jeux de bagues de sertissage typiques .....	26
Examen des raccords sertis.....	27
Fonctions Bluetooth (transfert de données à distance) .....	27
Fonctionnement par temps froid .....	27
<b>Stockage</b> .....	28
<b>Entretien de l'appareil</b>	
Nettoyage et lubrification .....	28
Révisions et réparations .....	28
Dépannage .....	28
<b>Accessoires</b> .....	29
<b>Recyclage de l'appareil</b> .....	29
<b>Compatibilité électromagnétique (EMC)</b> .....	30
<b>Enoncé FCC/ISED</b> .....	30
<b>Déclaration de conformité CE</b> .....	Verso de page de garde
<b>Garantie à vie</b> .....	Page de garde

\*Traduction de la notice originale

## Symboles de sécurité

Les symboles et mots clés utilisés à la fois dans ce mode d'emploi et sur l'appareil lui-même servent à signaler d'importants risques de sécurité. Ce qui suit permettra de mieux comprendre la signification de ces mots clés et symboles.



Ce symbole sert à vous avertir de risques d'accident potentiels. Le respect des consignes qui le suivent vous permettra d'éviter les risques d'accident grave ou potentiellement mortel.

### **DANGER**

Le terme DANGER signifie une situation dangereuse qui, faute d'être évitée, provoquerait la mort ou de graves blessures corporelles.

### **AVERTISSEMENT**

Le terme AVERTISSEMENT signifie une situation dangereuse potentielle qui, faute d'être évitée, serait susceptible d'entraîner la mort ou de graves blessures corporelles.

### **ATTENTION**

Le terme ATTENTION signifie une situation dangereuse potentielle qui, faute d'être évitée, serait susceptible d'entraîner des blessures corporelles légères ou modérées.

### **AVIS IMPORTANT**

Le terme AVIS IMPORTANT indique des informations concernant la protection des biens.



Ce symbole indique la nécessité de bien se familiariser avec la notice d'emploi avant d'utiliser ce matériel. La notice d'emploi renferme d'importantes consignes de sécurité et d'utilisation du matériel.



Ce symbole indique la nécessité de porter des lunettes de sécurité à ceillères ou des lunettes fermées lors de la manipulation ou utilisation de cet appareil afin de limiter les risques de lésion oculaire.



Ce symbole signale un risque d'écrasement des doigts, des mains ou autres membres.



Ce symbole signale un risque de choc électrique.



Ce symbole indique que le produit doit être utilisé exclusivement à l'intérieur.



Ce symbole indique qu'il s'agit d'un produit catégorie II



Ce symbole signale que le matériel en question ne doit pas être remis aux ordures ménagères. Consultez la section *Recyclage*.



Ce symbole indique que le matériel électrique en question correspond aux normes applicables des directives de la CE.



Ce symbole indique l'année de fabrication du produit.

## Consignes générales de sécurité applicables aux appareils électriques\*

### **AVERTISSEMENT**

**Familiarisez-vous avec l'ensemble des illustrations, consignes de sécurité et consignes d'utilisation ci-présentes afin d'éviter les risques de choc électrique, d'incendie et/ou de grave blessure corporelle.**

### **Conservez l'ensemble de ces consignes et instructions pour future référence !**

Le terme « appareil électrique » utilisée dans les consignes de sécurité s'applique à la fois aux appareils électrique sur secteur et ceux à piles.

### Sécurité des lieux

- **Assurez-vous de la propreté et du bon éclairage des lieux.** Les chantiers encombrés ou mal éclairés sont une invitation aux accidents.
- **N'utilisez pas d'appareils électriques en présence de substances volatiles telles que liquides, gaz ou poussières combustibles.** Ce type de matériel risque

de produire des étincelles susceptibles d'enflammer les poussières et émanations combustibles.

- **Eloignez les enfants et les curieux durant l'utilisation des appareils électriques.** Les distractions risquent de vous faire perdre le contrôle de l'appareil.

### Sécurité électrique

- **La fiche de l'appareil doit correspondre à la prise de courant utilisée. Ne jamais tenter de modifier la fiche d'une manière quelconque. Ne jamais utiliser d'adaptateur de prise sur les appareils équipés d'une fiche avec terre.** Cela limitera les risques de choc électrique.
- **Évitez tout contact physique avec des objets reliés à la terre tels que canalisations, radiateurs, cuisinières et réfrigérateurs.** Tout contact avec la terre augmenterait les risques de choc électrique.
- **N'exposez pas les appareils électriques à la pluie ou aux intempéries.** Toute pénétration d'eau à l'intérieur de l'appareil augmenterait les risques de choc électrique.

\* Le texte utilisé dans les consignes de sécurité générales ci-présentes est tiré verbatim de la section de la norme UL/CSA 62841-1 applicable, comme l'impose la réglementation. Lesdites consignes de sécurité générales sont sensé couvrir de nombreux types d'appareils électriques. Certaines d'entre-elles ne sont pas applicables à l'ensemble de ces appareils, et certaines ne sont pas applicables à celui-ci.

- **Ne maltraitez pas le cordon d'alimentation de l'appareil. Ne jamais utiliser le cordon pour porter, tirer ou débrancher l'appareil. Eloignez le cordon de la chaleur, des matières grasses, des objets tranchants et des mécanismes.** Les cordons d'alimentation endommagés ou entortillés augmentent les risques de choc électrique.
- **Lors de l'utilisation de l'appareil à l'extérieur, prévoyez une rallonge électrique homologuée pour ce type d'emploi.** Cela limitera les risques de choc électrique.
- **S'il est inévitable d'utiliser l'appareil dans des endroits humides, prévoyez une source d'alimentation protégée par disjoncteur différentiel.** La présence d'un disjoncteur différentiel limitera les risques de choc électrique.

### Sécurité individuelle

- **Soyez attentif, restez concentré et faites preuve de bon sens lors de l'utilisation de ce type d'appareil. Ne jamais utiliser ce matériel lorsque vous êtes fatigué ou sous l'influence de drogues, de l'alcool ou de médicaments.** Lors de l'utilisation d'un appareil électrique, un instant d'inattention risque d'entraîner de graves lésions corporelles.
- **Prévoyez les équipements de protection individuelle appropriés. Portez systématiquement une protection oculaire.** Selon le cas, le port d'un masque à poussière, de chaussures de sécurité antidérapantes, du casque ou d'une protection auriculaire peut aider à limiter les risques de lésion corporelle.
- **Évitez les démarrages accidentels. Assurez-vous que son interrupteur est éteint avant de brancher l'appareil, y introduire un bloc-piles, le soulever ou le transporter.** Porter un appareil électrique avec son doigt sur l'interrupteur, voire le brancher lorsque son interrupteur est en position « Marche » est une invitation aux accidents.
- **Retirez toute clé ou dispositif de réglage éventuel avant de mettre l'appareil en marche.** Une clé ou tout autre dispositif de réglage engagé sur un élément mécanique pourrait provoquer un accident.
- **Ne vous mettez pas en porte-à-faux. Maintenez une bonne assiette et un bon équilibre à tout moment.** Cela assurera un meilleur contrôle de l'appareil en cas d'imprévu.
- **Habillez-vous de manière appropriée. Ne portez ni accessoires, ni bijoux. Eloignez vos cheveux, vos vêtements et vos gants des mécanismes lorsque l'appareil fonctionne.** Les foulards, les bijoux et les

cheveux longs risquent d'être entraînés par les mécanismes en rotation.

- **Vérifiez le bon raccordement et fonctionnement des aspirateurs de poussière éventuels.** De tels aspirateurs peuvent limiter les risques associés à la dispersion des poussières.
- **Ne permettez pas la familiarité issue d'une utilisation fréquente de l'appareil vous rendre complaisant au point d'ignorer les principes de sécurité applicables.** La moindre inattention peut engendrer de graves blessures corporelles dans une fraction de seconde.

### Utilisation et entretien des appareils électriques

- **Ne forcez pas l'appareil. Prévoyez l'appareil le mieux adapté aux travaux envisagés.** Un appareil adapté produira de meilleurs résultats et un meilleur niveau de sécurité lorsqu'il fonctionne au régime prévu.
- **N'utilisez pas d'appareil dont l'interrupteur marche/arrêt ne fonctionne pas correctement.** Tout appareil qui ne peut pas être contrôlé par son interrupteur est considéré dangereux et doit être réparé.
- **Débranchez l'appareil ou retirez son bloc-piles avant tout réglage, remplacement d'outils ou stockage.** De telles mesures préventives aideront à limiter les risques de démarrage accidentel de l'appareil.
- **Rangez les appareils électriques non utilisés hors de la portée des enfants. L'utilisation de cet appareil doit être exclusivement réservé à du personnel ayant reçu une formation adéquate.** Tout appareil électrique peut devenir dangereux entre les mains d'un novice.
- **Assurez l'entretien régulier des appareils électriques et de leurs accessoires. Assurez-vous de l'absence d'éléments grippés ou endommagés, voire toute autre anomalie susceptible de nuire au bon fonctionnement et à la sécurité de l'appareil. Faites réparer tout appareil endommagé avant de le réutiliser.** De nombreux accidents sont le résultat d'appareils mal entretenus.
- **Assurez l'affûtage et la propreté des outils de coupe.** Des outils de coupe correctement entretenus et affûtés sont moins susceptibles de se gripper et sont plus faciles à contrôler.
- **Utilisez l'appareil, ses accessoires et ses outils selon les consignes ci-présentes, tout en tenant compte des conditions de travail existantes et de la nature des travaux envisagés.** Toute utilisation de l'appareil à des fins autres que celles prévues augmenterait les risques d'accident.



- **Nettoyez systématiquement les poignées et autres surfaces de prise-en-main de l'appareil.** Des poignées ou autres surfaces glissantes peuvent compromettre la sécurité d'utilisation de l'appareil en cas d'imprévu.

### Utilisation et entretien des appareils à piles

- **Rechargez les bloc-piles exclusivement avec le type de chargeur spécifié par le fabricant.** L'utilisation d'un chargeur adapté à un autre type de bloc-piles augmenterait les risques d'incendie.
- **Utilisez exclusivement le type de bloc-piles prévu pour l'appareil en question.** L'utilisation de tout autre type de bloc-piles augmenterait les risques de blessure et d'incendie.
- **Eloignez les bloc-piles non utilisés des autres objets métalliques tels que trombones, pièces de monnaie, clés, clous, vis ou autres petits objets métalliques qui risqueraient de faire contact entre les bornes du bloc-piles.** Un tel court-circuit pourrait provoquer des brûlures ou un incendie.
- **En cas d'abus, un bloc-piles risque de déverser son électrolyte liquide. Évitez tout contact avec celui-ci. En cas de contact accidentel avec ce liquide, rincez à grande eau. En cas de contact oculaire, faites appel à un médecin.** L'électrolyte liquide peut provoquer des irritations et des brûlures.
- **N'utilisez pas un bloc-piles ou appareil endommagé ou modifié.** Les bloc-piles endommagés peuvent réagir de manière imprévisible et provoquer des incendies, des explosions ou des blessures corporelles.
- **N'exposez ni les bloc-piles, ni l'appareil aux flammes ou à des températures excessives.** Leur exposition aux flammes ou à des températures de plus de 265 °F (130 °C) pourrait occasionner une explosion.
- **Respectez l'ensemble des consignes de rechargement et ne chargez ni le bloc-piles ni l'appareil en-dehors des limites de température précisées ci-après.** Le rechargement inapproprié ou à des températures hors limites pourrait endommager le bloc-piles et augmenterait les risques d'incendie.

### Service après-vente

- **Confiez la révision de l'appareil à un réparateur qualifié pouvant justifier l'emploi de pièces de rechange d'origine.** Cela assurera la sécurité opérationnelle de l'appareil.

## Consignes de sécurité spécifiques

### ⚠ AVERTISSEMENT

**La section suivante contient d'importantes consignes de sécurité visant ce type d'appareil en particulier.**

**Lisez-les soigneusement avant d'utiliser la sertisseuse afin de limiter les risques de choc électrique et de graves blessures corporelles.**

### CONSERVEZ CES CONSIGNES POUR FUTURE REFERENCE !

La mallette de l'appareil comprend un logement prévu pour garder ce manuel à la portée de tout utilisateur éventuel.

### Sécurité de la sertisseuse

- **Eloignez vos doigts et vos mains des têtes de sertissage durant le cycle de fonctionnement de l'appareil.** Les doigts et les mains risquent d'être écrasés, fracturés ou amputés s'ils se prennent dans la tête ou entre la tête et tout autre objet.
- **Ne jamais tenter de réparer d'élément de tête (mâchoires, bagues de sertissage actionneurs, etc.) endommagés. Remplacez l'élément endommagé au complet.** Tout élément qui aurait été soudé, meulé percé ou modifié de manière quelconque risquerait d'éclater en cours de sertissage et provoquer de graves blessures. Le non remplacement d'un élément de sertissage au complet pourrait entraîner la défaillance de l'élément et de graves blessures corporelles.
- **L'importance des forces générées par l'appareil est suffisante pour briser et projeter des objets de manière dangereuse.** Tenez-vous à l'écart en cours d'opération et prévoyez les équipements de sécurité individuelle appropriés, protection oculaire comprise.
- **N'utilisez les sertisseuses RIDGID® qu'avec des éléments de tête (mâchoires, bagues de sertissage, actionneurs, etc.) appropriés, soit fabriqués ou approuvés par RIDGID.** L'utilisation de l'appareil à d'autres fins ou sa modification en vue d'applications non prévues pourrait endommager la sertisseuse et sa tête, voire occasionner des blessures corporelles.
- **Utilisez les combinaisons d'appareil, d'éléments de tête et de raccord appropriés.** Une mauvaise combinaison de ces éléments risquerait de compromettre l'intégralité du sertissage qui, à son tour, augmenterait les risques de fuites et de blessure corporelle.

**• Avant d'utiliser une sertisseuse RIDGID, familiarisez-vous avec :**

- Le manuel ci-présent,
- Les instructions visant le type de tête utilisée,
- Le manuel du bloc-piles et chargeur,
- Les consignes d'installation du fabricant des raccords,
- Les consignes d'utilisation de tout autre matériel utilisé avec cet appareil.

Le non-respect de l'ensemble de ces consignes pourrait entraîner d'importants dégâts matériels et/ou de graves lésions corporelles.

**Coordonnées RIDGID®**

En cas de questions concernant ce produit RIDGID® veuillez :

- Consulter le distributeur RIDGID le plus proche ;
- Visiter le site RIDGID.com afin de localiser le représentant RIDGID le plus proche ;
- Consulter les services techniques RIDGID par mail adressé à [rttechservices@emerson.com](mailto:rttechservices@emerson.com), ou bien, à partir des Etats-Unis ou du Canada, en composant le 800-519-3456.

**Description**

Equipées des éléments de tête appropriés, les sertisseuses RIDGID® RP 350 et RP 351 assurent le sertissage étanche et permanent des raccords de tuyaux de plomberie, de chauffage de climatisation et de réfrigération. Il existe aussi des éléments de tête destinés à d'autres applications.



**Figure 1 – Sertisseuse RIDGID RP 350 avec mâchoire série Standard**



**Figure 2 – Sertisseuse RIDGID RP 351 avec mâchoire série Standard**

Lorsque l'on appui sur la gâchette de la sertisseuse, son moteur électrique interne actionne une pompe hydraulique qui, à son tour, envoi du fluide hydraulique vers le cylindre de l'appareil pour faire avancer le vérin contre l'accessoire qui, lui, comprime le raccord. Ce cycle de sertissage dure environ 4 secondes. Lorsque le cycle est entamé, il continue automatiquement jusqu'à ce que le raccord soit complètement serti, même si l'on lâche la gâchette.

L'appareil dispose également d'un mode opératoire de « Contrôle » qui utilise l'application RIDGID Link pour permettre le montage préalable du raccord avant son sertissage afin de confirmer l'alignement de la tête avec le raccord et le tuyau.

Le témoin d'état de fonctionnement de l'appareil indique, entre-autre, une température hors limite, un besoin de révision ou bloc-piles déchargé. L'appareil est équipé d'un éclairage ciblé qui s'allume dès que l'on appui sur la gâchette. La tête de l'appareil est orientable sur 360° afin d'en faciliter l'accès aux endroits restreints.

L'appareil est équipé d'un anneau en tissu qui peut éventuellement servir à accrocher une bretelle ou une lanière de sécurité appropriée.

Ces sertisseuses sont équipées du système Bluetooth® afin de permettre leur liaison aux smartphones et tablettes. Consultez la section « Fonctions Bluetooth (transfert de données à distance) » pour plus de détails.

\* Le terme et le logo Bluetooth® sont des marques déposées par Bluetooth SIG, Inc. et utilisées par Emerson Electric Co. sous licence. Les autres marques déposées et désignations commerciales utilisées sont la propriété de leurs propriétaires respectifs.

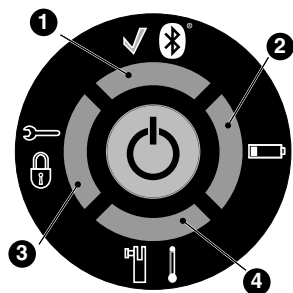
#	Description
1	Mâchoires à ciseaux
2	Broche de montage des accessoires
3	Témoins d'état de fonctionnement
4	Marche/Arrêt
5	Avertissement (en sous face sur la RP 351)
6	Anneau en tissu
7	Bouton de déverrouillage (côté opposé sur la RP 351)
8	Poignée
9	Bloc-piles
10	Gâchette
11	Eclairage LED
12	Bride de mâchoire



Figure 3 – Numéro de série de l'appareil – Les chiffres encadrés indiquent l'année et le mois de fabrication. (YY = année, MM = mois).

Commande	Marquage	Description
Marche/Arrêt		Alimentation générale de l'appareil (I = Marche, O = Arrêt) Marche : Appuyez sur la touche jusqu'à ce que le témoin s'allume. <i>Figure 5 – Témoins d'état de fonctionnement.</i> Arrêt : Appuyez sur la touche jusqu'à ce que le témoin s'éteigne. L'appareil s'éteindra automatiquement au bout de dix (10) minutes d'inactivité.
Gâchette	—	<b>Eclairage</b> : Appuyez légèrement sur la gâchette. <b>Mode normal</b> : Appuyez sur la gâchette pour entamer le cycle de sertissage, puis lâchez-la dès que l'appareil s'engage. <b>Mode « Contrôle »</b> : Appuyez sur la gâchette pour engager la tête sur le raccord. Au besoin, faites les réglages nécessaires. Appuyez à nouveau sur la gâchette pour entamer le cycle de sertissage, puis lâchez-la dès que l'appareil s'engage. Le fait de lâcher la gâchette n'arrêtera pas le cycle de sertissage une fois l'appareil engagé. Cela assure l'uniformité et l'intégralité des sertissages successifs. Le mode opératoire peut être changé via l'application RIDGID Link comme indiqué à la section <i>Fonctions Bluetooth</i> .
Bouton de déverrouillage		Permet de relâcher l'appareil avant la fin du sertissage. Le cas échéant, le sertissage restera incomplet et devra être repris.
Broche de montage des accessoires	—	Fixation des têtes. Elle doit être entièrement engagée avant que l'appareil puisse fonctionner ( <i>Figure 6</i> ).



Figure 4 – Schéma des commandes



Numéro de segment lumineux (éclairage en continu)				Description
1 ✓ Bluetooth	2 Batterie	3 Verrou	4 Rebar	
—	—	—	—	Sertisseuse éteinte.
Vert	Vert	Vert	Vert	Gâchette appuyée, 4 secondes au démarrage, appareil en mode « Normal ».
Bleu	Bleu	Bleu	Bleu	Gâchette appuyée, 4 secondes au démarrage, appareil en mode « Contrôle » Se reporter à la section <i>Fonctions Bluetooth</i> pour changer de mode opératoire.
Vert	—	—	—	Sertisseuse en mode Normal, en veilleuse, prête à fonctionner.
Rouge	Jaune	Jaune	Jaune	Anomalie. L'appareil ne fonctionne pas. Retirez et réintroduisez le bloc pile ou l'adaptateur. Si le témoin reste allumé, faites réparer l'appareil.
Rouge	—	—	—	Anomalie. L'appareil ne fonctionne pas. Retirez et réintroduisez le bloc pile ou l'adaptateur. Si le témoin rouge reste allumé, faites réparer l'appareil.
Jaune	—	Rouge	Rouge	Appareil et/ou bloc-piles hors de la plage de température ambiante. L'appareil ne fonctionne pas. Amenez l'appareil et le bloc-piles à une température appropriée.
Jaune	—	—	Rouge	Broche de montage de tête désengagée. L'appareil ne fonctionne pas. Introduisez la broche à fond. Si le témoin reste allumé, faites réparer l'appareil.
Jaune	Rouge	—	—	Bloc-piles déchargé. L'appareil ne fonctionne pas. Rechargez le bloc-piles ou introduisez un bloc-piles chargé.
Vert	Bleu	Bleu	Bleu	Connexion Bluetooth établie, sertisseuse en veilleuse et prête à fonctionner. Reportez-vous à la section <i>Fonctions Bluetooth</i> pour de plus amples renseignements.
		Violet		Mise à jour du logiciel en cours. L'appareil ne peut pas fonctionner durant sa mise-à-jour.

**Figure 5 – Témoins d'état de fonctionnement**

## Caractéristiques techniques

<b>Sertisseuse RP 350 à poignée pistolet</b>	<b>Sertisseuse RP 351 droite</b>
Accessoires .....Série RIDGID Standard	Série RIDGID Standard
Course .....1,57" (40 mm)	1,57" (40 mm)
<b>Moteur</b>	
Volts .....18 V	18 V
Ampères.....23 A	23 A
Puissance.....480 Watts	480 Watts
Force du vérin.....7200 lbs. (32 kN)	7200 lbs. (32 kN)
Rotation de tête .....360°	360°
Durée de cycle.....3 sertissages/min 	3 sertissages/min 
Bloc-piles .....Bloc-piles Li-ion 18 V type RIDGID RB-18XX ou adaptateur secteur 120/220 V type RIDGID RPA (voir la section Accessoires)	
Portée Bluetooth .....33 ft. (10 m)	33 ft. (10 m)
Humidité permmissible .....80% maximum	80% maximum
Température de fonctionnement.....15° F à 122° F (-10° C à 50° C)	15° F à 122° F (-10° C à 50° C)
Température de remisage.....32° F à 113° F (0° C à 45° C)	32° F à 113° F (0° C à 45° C)
Poids (sans bloc-piles ni tête).....7,83 lbs (3,55 kg)	7,83 lbs (3,55 kg)
Dimensions.....11,3" x 11,0" x 3,1" 287 mm x 279 mm x 77 mm	15,7" x 4,65" x 3,1" 398 mm x 118 mm x 77 mm
Pression sonore (L <sub>PA</sub> )* ...<74,5 dB(A), K=3 dB(A)	<74,5 dB(A), K=3 dB(A)
<b>Puissance</b>	
Vibrations* .....<1,13 m/s <sup>2</sup> , K=1,5	<1,13 m/s <sup>2</sup> , K=1,5

\* Les valeurs sonores et vibratoires ont été mesurées selon la norme standardisée EN 62841-1.

- Les niveaux sonores peuvent servir de comparaison avec d'autres appareils et pour l'évaluation préliminaire d'exposition.

- Les niveaux sonores et vibratoires produits peuvent varier selon la localisation et l'utilisation spécifique de ces appareils.

- Les niveaux d'exposition sonore et vibratoires quotidiens doivent être évalués en fonction de chaque application afin d'établir les mesures de protection éventuellement nécessaires. L'évaluation des niveaux d'exposition doit prendre en compte les temps morts durant lesquels l'appareil est éteint et non utilisé. Cela peut réduire les niveaux d'exposition au cours d'une période de travail donnée de manière considérable.

### Equipements de série

Reportez-vous au catalogue RIDGID pour les détails visant l'équipement de chaque appareil référencé.

NOTA ! Il existe deux séries de têtes de sertissage RIDGID

- Série Standard
- Série Compact

Ces deux séries de têtes ne sont pas interchangeables. Les têtes de la série Standard ne se montent que sur les sertisseuses de la série Standard (RP 350, RP 351, RP 342-XL, RP 340, RP 330, 320-E et ct-400). Les têtes de la série Compact ne se montent que sur les sertisseuses de la série Compact (RP 240, RP 241, RP 200, RP 210 et 100B).

**AVIS IMPORTANT** Le choix des matériaux et des méthodes de raccordement appropriés reste la responsabilité du bureau d'études et/ou de l'installateur. Une étude approfondie des besoins spécifiques du réseau, notamment en matière de milieu chimique et température d'exploitation, s'impose avant toute tentative d'installation. Consultez le fabricant des connecteurs pour les critères de sélection applicables.

## Inspection préalable de l'appareil

### ⚠ AVERTISSEMENT



Effectuez une inspection préalable quotidienne de la sertisseuse afin de corriger toute anomalie éventuelle susceptible d'endommager l'appareil ou ses têtes, voire provoquer des chocs électriques et des blessures par écrasement ou autres causes.

1. Eteignez l'appareil et retirez son bloc-piles ou son adaptateur d'alimentation sur secteur.
2. Éliminez toutes traces d'huile, de cambouis ou de crasse de l'appareil et de la tête, notamment au niveau des poignées et commandes. Cela facilitera l'inspection et améliorera la prise en main de l'appareil.
3. Lors de l'inspection de la sertisseuse, concentrez-vous sur les points suivants :
  - L'assemblage, l'état d'entretien et l'intégralité de l'appareil.
  - D'éventuelles pièces endommagées, usées, manquantes, désalignées ou grippées. Vérifiez le bon état de l'anneau en tissu.
  - Le libre fonctionnement de la broche de montage de tête entre sa position entièrement ouverte et entièrement fermée. La broche devrait se verrouiller dans chaque position. Vérifiez le libre fonctionnement de la gâchette, notamment l'absence de grippage ou d'accrochage.
  - La présence et la lisibilité des avertissements indiqués à la *Figure 6*.
  - Toute autre anomalie qui pourrait nuire à la sécurité et au fonctionnement prévu de l'appareil.

Faites corriger toute anomalie éventuelle avant de réutiliser l'appareil.



Figure 6 – Avertissement et témoins LED

4. Examinez et entretenez les éléments de tête de l'appareil selon les consignes correspondantes. Retirez la tête de l'appareil. Vérifiez le bon fonctionnement de ses éléments et la lisibilité de leurs références.

- 5 Examinez et entretenez tout autre matériel utilisé selon les consignes applicables afin de vous assurer de son bon fonctionnement.

## Préparation et utilisation de l'appareil

### ⚠ AVERTISSEMENT



En cours d'opération, éloigner les doigts et les mains de la tête de l'appareil. Les doigts et les mains

peuvent être écrasés, fracturés ou amputés par la tête ou par l'appareil, voire entre l'appareil, l'ouvrage et autres objets.

En cours d'utilisation, la force générée par l'appareil est suffisamment importante pour briser et projeter l'ouvrage et provoquer des blessures. Éloigner tout personnel non essentiel de la zone d'intervention. Se tenir à l'écart en cours d'utilisation et porter les équipements de protection appropriés, y compris une protection oculaire.

Utilisez la combinaison d'appareil, d'élément de tête et de raccord appropriée. Une mauvaise combinaison de ceux-ci pourrait produire un raccordement incomplet qui augmenterait les risques de fuite, de détérioration du matériel et de blessure.

Respecter les consignes de préparation et d'utilisation afin de limiter les risques de blessure par écrasement ou autres causes, et afin d'éviter d'endommager l'appareil.

1. Confirmez la compatibilité des lieux (*voir Consignes de sécurité générales*). Assurez-vous d'un emplacement dégagé, de niveau, stable et sec pour l'utilisateur. Ne jamais utiliser cet appareil avec les pieds dans l'eau.
2. Examinez les travaux envisagés afin de sélectionner l'appareil et les éléments de tête RIDGID appropriés. L'utilisation d'un matériel inadapté pourrait provoquer des blessures, endommager l'appareil et nuire à l'intégralité des raccords.
3. Confirmez l'inspection préalable et la préparation appropriée de l'ensemble du matériel selon les consignes applicables.

## Retrait et montage des têtes

1. Eteignez l'appareil et retirez son bloc-piles ou son adaptateur d'alimentation sur secteur.
2. Ouvrez la broche de montage de tête complètement. Retirez ou introduisez la tête appropriée (*Figure 7*).
3. Renforcez la broche de montage complètement afin de la verrouiller en position fermée. La broche doit être complètement fermée afin d'éviter d'endommager



l'appareil en cours d'utilisation. Les témoins lumineux indiqueront son état de verrouillage comme indiqué au tableau d'état de fonctionnement de la *Figure 5*.

NOTA ! N'actionnez pas l'appareil sans tête car cela pourrait l'endommager.



Figure 7 – Broche de montage de tête

### Préparation du raccord

**AVIS IMPORTANT** Les consignes ci-présentes sont des instructions générales visant plusieurs types de têtes de sertisseuse. Respectez systématiquement les consignes spécifiques visant la tête de sertisseuse utilisée et les instructions d'installation spécifiques du fabricant des raccords utilisés afin de limiter les risques d'un mauvais sertissage et d'importants dégâts matériels.

1. Préparez le raccord selon les consignes du fabricant des raccords.
2. Avec les mains sèches, introduisez un bloc-piles entièrement chargé ou l'adaptateur d'alimentation sur secteur dans l'appareil. Si vous utilisez un adaptateur équipé d'un disjoncteur différentiel, ce dernier doit avoir un courant résiduel nominal maximum de 30 mA. Appuyez une fois sur la touche Marche/Arrêt pour allumer l'appareil. Tous les témoins s'allumeront en vert pour indiquer que l'appareil est prêt à fonctionner. Reportez-vous à la *Figure 5 – Témoins d'état de fonctionnement* pour la désignation des autres témoins lumineux.

### Le sertissage à l'aide de mâchoires à cisaille typiques

1. Tenez l'appareil des deux mains.



Figure 8 – Prise en main de l'appareil

2. Comprimez les bras de mâchoire pour ouvrir les mâchoires.
3. Engagez les mâchoires autour du tuyau (*Figure 9*). Alignez le profil de sertissage des mâchoires sur le pourtour du raccord comme indiqué dans les instructions du fabricant des raccords. Relâchez les bras de mâchoire pour renfermer les mâchoires autour du raccord. Ne suspendez pas les mâchoires par le raccord. L'appareil risquerait de tomber sans préavis et provoquer des blessures graves, voire mortelles.



Figure 9 – Engagement des mâchoires à cisaille autour du raccord

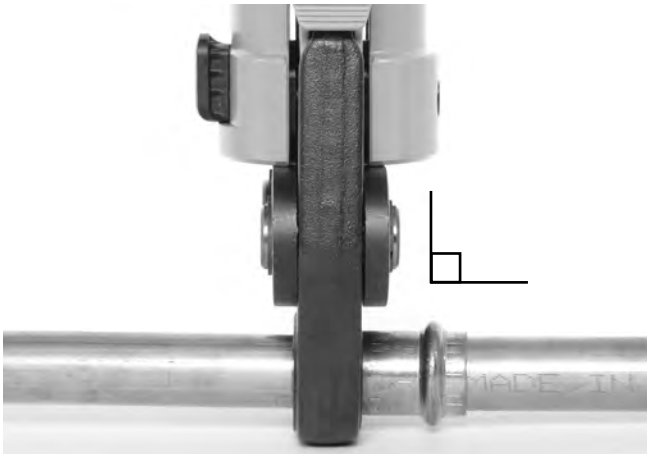


Figure 10 – Mâchoires tenues à l'équerre du raccord

4. Vérifiez que les mâchoires sont correctement positionnées et à l'équerre du raccord (Figure 10). Eloignez vos doigts et vos mains des mâchoires afin d'éviter les risques d'écrasement entre les mâchoires ou entre les mâchoires et les surfaces environnantes.

**Mode Normal :** Appuyez sur la gâchette (Figures 1 et 2). Une fois le cycle de sertissage entamé et que les galets entrent en contact avec les bras de mâchoire, l'appareil se verrouillera automatiquement pour compléter le cycle. Le fait de relâcher la gâchette n'arrêtera pas l'appareil une fois qu'il est engagé. Cela assure l'uniformité et l'intégrité des sertissages successifs.

**Mode Contrôle :** Appuyez sur la gâchette (Figures 1 et 2). Les mâchoires s'engageront autour du raccord, mais sans le sertir. Faites les réglages nécessaires. Appuyez à nouveau sur la gâchette pour verrouiller les mâchoires et compléter le cycle de sertissage. Le fait de relâcher la gâchette n'arrêtera pas l'appareil une fois qu'il est engagé. Cela assure l'uniformité et l'intégrité des sertissages successifs.

Si l'appareil doit être retiré avec la terminaison du sertissage, appuyez sur le bouton de déverrouillage (Figures 1 et 2).

**AVIS IMPORTANT** Si vous appuyez sur le bouton de déverrouillage, le sertissage ne sera PAS complet et le processus de raccordement devra être répété pour assurer l'intégralité du raccord. Utilisez cette méthode en cas de défaillance de l'appareil en cours d'opération.

5. Lâchez la gâchette.
6. Comprimez les bras de mâchoire pour ouvrir les mâchoires.
7. Retirez les mâchoires du raccord. Éviter de toucher les bavures tranchantes qui auraient pu se former autour du raccord lors de son sertissage.

8. En fin d'opération, appuyez une fois sur la touche Marche/Arrêt pour éteindre l'appareil. Retirez le bloc-piles de l'appareil.

### Sertissage des raccords à l'aide d'un actionneur et de bagues de sertissage typiques

1. Ouvrez la bague de sertissage et engagez-la autour du raccord. Alignez le profil de la bague de sertissage sur le raccord selon les instructions du fabricant des raccords. Relâchez la bague pour qu'elle se renferme autour du raccord (Figure 11).
2. Assurez-vous que l'appareil est équipé de l'actionneur approprié. Comprimez les bras de l'actionneur pour l'ouvrir. Alignez les ergots de l'actionneur sur les logements prévus dans la bague. Relâchez les bras de l'actionneur et engagez les ergots à fond dans les logements de la bague (Figure 12). Un mauvais alignement des ergots vis à vis des logements de bague pourrait endommager la bague ou l'actionneur en cours de sertissage. Ne suspendez pas l'appareil et l'actionneur par la bague de sertissage. L'appareil pourrait tomber sans préavis et provoquer des blessures graves ou mortelles.



Figure 11 – Engagement de la bague de sertissage sur le raccord



Figure 12 – Engagement de l'actionneur sur la bague de sertissage



- Assurez-vous que la bague est correctement positionnée et d'équerre au raccord. Eloignez vos doigts et vos mains de l'actionneur et de la bague afin d'éviter leur écrasement par l'accessoire ou entre l'accessoire et les surfaces environnantes.

**Mode Normal :** Appuyez sur la gâchette (*Figures 1 & 2*). Une fois le cycle de sertissage entamé et que les galets entrent en contact avec les bras de mâchoire, l'appareil se verrouillera automatiquement pour compléter le cycle. Le fait de relâcher la gâchette n'arrêtera pas l'appareil une fois qu'il est engagé. Cela assure l'uniformité et l'intégrité des sertissages successifs.

**Mode Contrôle :** Appuyez sur la gâchette (*Figures 1 et 2*). Les mâchoires s'engageront autour du raccord, mais sans le sertir. Faites les réglages nécessaires. Appuyez à nouveau sur la gâchette pour verrouiller les mâchoires et compléter le cycle de sertissage. Le fait de relâcher la gâchette n'arrêtera pas l'appareil une fois qu'il est engagé. Cela assure l'uniformité et l'intégrité des sertissages successifs.

- Si l'appareil doit être retiré avec la terminaison du sertissage, appuyez sur le bouton de déverrouillage (*Figures 1 et 2*).

**AVIS IMPORTANT** Si vous appuyez sur le bouton de déverrouillage, le sertissage ne sera PAS complet et le processus de raccordement devra être répété pour assurer l'intégralité du raccord. Utilisez cette méthode en cas de défaillance de l'appareil en cours d'opération.

- Lâchez la gâchette.
- Comprimez les bras de l'actionneur pour ouvrir l'actionneur. Retirez l'actionneur de la bague.
- Retirez la bague du raccord. Évitez les bavures tranchantes qui auraient pu se former autour du raccord en cours de sertissage.
- En fin d'opération, appuyez sur la touche Marche/ Arrêt pour éteindre l'appareil. Retirez le bloc-piles ou l'adaptateur d'alimentation sur secteur de l'appareil.

### Examen du raccord serti

- Examinez le raccord serti sur les points suivants :
  - Insertion complète du tuyau dans le raccord.
  - Désalignement excessif des tuyaux. Un léger déport au niveau d'un raccord est considéré normal.
  - Mauvais alignement de la tête vis à vis du pourtour du raccord. Signe d'un raccord ovalisé ou déformé.
  - Tout autre point indiqué par le fabricant des raccords. Cela peut comprendre le retrait d'une bague ou étiquette de contrôle utilisée pour indiquer que le raccord n'est pas encore serti.

En cas d'anomalie éventuelle, retirez le raccord et préparez un nouveau raccordement.

- Contrôlez le raccord selon les instructions du fabricant des raccords, les règles de l'art et les normes en vigueur.

### Fonction Bluetooth (transfert de données à distance)

Les sertisseuses RIDGID RP 350 et RP 351 sont équipées de la technologie Bluetooth® qui assure le transfert à distance des données vers des smartphones ou tablettes (« dispositifs ») compatibles utilisant un système opératoire iOS ou Android.

- Téléchargez l'application RIDGID® Link approprié pour votre dispositif chez [RIDGID.com/apps](http://RIDGID.com/apps).
- Dès que l'appareil est en marche, tout dispositif équipé de la technologie Bluetooth peut reconnaître et communiquer avec la sertisseuse. Sélectionnez l'appareil RIDGID concerné à partir des réglages Bluetooth de votre dispositif. Reportez-vous aux instructions de votre dispositif pour les modalités de connexion Bluetooth correspondantes. Une fois connecté, le témoin d'état de fonctionnement bleu restera allumé.

Une fois la connexion bilatérale initiale établie, la majorité des dispositifs se connecteront automatiquement lorsque le Bluetooth est activé et à portée, et si le dispositif a été configuré pour ce faire. Les sertisseuses devraient se trouver à moins de 33 pieds (10 m) du dispositif pour être reconnues. Tout obstacle qui se trouve entre l'appareil et le dispositif peut réduire la portée opérationnelle.

- Respectez les consignes d'utilisation de l'application. Le mode opératoire peut être changé via cette application. L'application permet également le suivi des cycles de fonctionnement de l'appareil.
- Le transfert des données à distance s'éteindra dès que l'appareil est éteint. Eteignez la fonction Bluetooth du dispositif afin de conserver les piles.

### Fonctionnement par temps froid

L'huile hydraulique s'épaissit et les piles s'affaiblissent avec la baisse des températures. Pour limiter les risques de défaillance, les sertisseuses RP 350 et RP 351 ne fonctionneront pas hors de la plage de température prescrite, comme le sera indiqué par les témoins d'état de fonctionnement (*Figure 5*).

Lorsque la température ambiante est hors des limites de température indiquées, conservez l'appareil et les bloc-piles dans un endroit climatisé jusqu'au moment de les utiliser.

## Remisage

Retirez le bloc-piles ou l'adaptateur d'alimentation sur réseau de l'appareil. Rangez la sertisseuse et son bloc-piles dans la mallette de transport. Évitez de stocker à des températures extrêmes. La sertisseuse ne fonctionnera pas en dehors des limites de température indiquées. Cela sera signalé par un témoin lumineux (Figure 5).

**AVERTISSEMENT** Rangez l'appareil dans un endroit sec et sous clé, hors de portée des enfants et des individus non-familiarisés avec cette sertisseuse. L'appareil serait dangereux entre des mains novices.

## Entretien

**AVERTISSEMENT**  
Assurez-vous que l'appareil est éteint, puis retirez systématiquement le bloc-piles ou l'adaptateur d'alimentation sur secteur avant toute intervention d'entretien ou réglage de l'appareil.

## Nettoyage et lubrification

1. Essayez l'extérieur de l'appareil au quotidien à l'aide d'un chiffon propre et sec.

## Dépannage

SYMPTOME	CAUSES POSSIBLES	SOLUTION
L'appareil ne s'allume pas lorsque l'on appuie sur la touche Marche/Arrêt.	Bloc-piles déchargé ou défaillant. Bloc-piles mal inséré. Adaptateur d'alimentation sur secteur mal inséré dans l'appareil.	Insérez un bloc-piles rechargé ou recharger le bloc-piles existant. Vérifiez l'insertion du bloc-piles. Insérez l'adaptateur de manière appropriée.
La tête refuse de se libérer du raccord.	Sertissage interrompu.	Appuyez sur le bouton de déverrouillage pour libérer la mâchoire. Examinez et sertissez le raccord à nouveau.
Les sertissages effectués sont incomplets.	Utilisation de mâchoires inadaptées à la section ou composition du tuyau. Appareil non d'équerre au tuyau. Profil de sertissage de la tête non aligné sur le profil du raccord. L'appareil a besoin de réparation.	Installez les mâchoires appropriées. Reprenez le raccordement avec un nouveau tuyau et un nouveau raccord. Vérifiez l'équerrage de l'appareil par rapport au tuyau. Reprenez le raccordement avec un nouveau tuyau et un nouveau raccord. Vérifiez l'alignement entre le profil de mâchoire et le profil du raccord. Consultez la section <i>Coordonnées</i> pour localiser le réparateur RIDGID indépendant le plus proche.
Fuite d'huile.	Joint d'étanchéité ou problèmes mécaniques.	
Le moteur tourne mais l'appareil n'atteint pas un cycle complet.	Manque d'huile.	Consulter la section <i>Coordonnées</i> pour localiser le réparateur RIDGID indépendant le plus proche.
L'appareil s'arrête en cours d'opération.	Manque d'huile.	

Se reporter à la Figure 5 – Témoins d'état de fonctionnement

2. Examinez la broche de montage de tête et lubrifiez-la au besoin avec un lubrifiant à base de silicone.
3. Examinez les ressorts de rappel des éléments de tête à chaque utilisation. Les éléments de tête devraient s'ouvrir et se fermer librement avec une résistance manuelle modérée.

## Révisions et réparations

**AVERTISSEMENT**  
Toute révision ou réparation mal effectuée pourrait compromettre la sécurité de l'appareil.

La révision et réparation des sertisseuses RP 350 et RP 351 doivent être confiées à un réparateur de sertisseuses RIDGID indépendant.

Reportez-vous à la section *Coordonnées* du manuel pour localiser le réparateur agréé le plus proche ou pour toutes questions visant la révision ou la réparation de l'appareil.

## Accessoires

### ⚠ AVERTISSEMENT

**Afin de limiter les risques de blessure grave, utilisez exclusivement les accessoires spécifiquement prévus pour les sertisseuses RP 350 et RP 351, tels que ceux indiqués ci-après.**

### Bloc-piles et adaptateurs

Réf. catalogue	Désignation
56513	Bloc-piles lithium ion 18 V/2,5 Ah type RB-1825
56518	Bloc-piles lithium ion 18 V/5 Ah type RB-1850
44468	Alimentation sur secteur 120 V – Amérique du Nord
43338	Alimentation sur secteur 220 V – Europe
44823	Alimentation sur secteur 120 V – Chine

### Chargeurs et cordons d'alimentation

Réf. catalogue		Région	Type de fiche
64383	Chargeur RBC-30	Amérique du Nord	A
56523	Chargeur RBC-30	Europe	C
64388	Chargeur RBC-30	Chine	A
64393	Chargeur RBC-30	Australie	I
64378	Chargeur RBC-30	Japon	A
64398	Chargeur RBC-30	Royaume-Uni	G
64173	Cordon de chargeur RBC-30	Amérique du Nord	A
64183	Cordon de chargeur RBC-30	Europe	C

Pour obtenir la liste complète des accessoires RIDGID prévus pour ces appareils, consultez le catalogue Ridge Tool en ligne à [www.RIDGID.com](http://www.RIDGID.com) ou la section *Coordonnées* du manuel.

## Recyclage

Certains composants de ces appareils contiennent des matières rares et recyclables. Des sociétés de recyclage spécialisées peuvent parfois se trouver localement. Recyclez ce type de matériel selon la réglementation en vigueur. Consultez les services de recyclage de votre localité pour de plus amples renseignements.



**A l'attention des pays de la CE :** Ne jamais jeter de matériel électrique dans les ordures ménagères !

Selon la directive européenne n° 2012/19/UE visant le recyclage des déchets électriques et électroniques, ainsi que les diverses réglementations nationales qui en découlent, tout matériel électrique non utilisable doit être trié séparément et recyclé de manière écologiquement responsable.

## Compatibilité électromagnétique (EMC)

Le terme « compatibilité électromagnétique » sous-entend le fonctionnement normal d'un appareil en présence de radiations électromagnétiques et de décharges électrostatiques, sans lui-même émettre de parasites électromagnétiques susceptibles de nuire au bon fonctionnement des appareils environnants.

**AVIS IMPORTANT** Ces appareils sont conformes à l'ensemble des normes EMC applicables. Cependant, la possibilité de parasitage des appareils environnants ne peut pas être exclue. La fiche technique de chaque appareil stipule l'ensemble des normes EMC effectivement mises à épreuve.

## Enoncé FCC/ISED

Ce dispositif est conforme à la Partie 15 des normes FCC. Son utilisation est assujettie aux deux conditions suivantes :

1. Ce dispositif ne doit pas créer de parasitage nuisible.
2. Ce dispositif doit accepter tout parasitage reçu, y compris les parasites susceptibles de nuire à son bon fonctionnement.

Toute modification qui n'aurait pas été formellement approuvée par cette entreprise risquerait d'entraîner la nullification du permis d'exploitation du matériel détenu par l'utilisateur.

Ce matériel a été contrôlé et déclaré conforme aux limites imposées sur les dispositifs numériques Catégorie A selon la partie 15 des normes FCC. De telles limites sont imposées afin d'assurer une protection raisonnable contre le parasitage nuisible au sein des installations résidentielles. Ce matériel produit, utilise et peut émettre des radiofréquences qui, faute d'une installation et d'une utilisation appropriées, seraient susceptibles de nuire aux communications hertziennes. Cependant, il n'est pas garanti qu'une installation particulière n'occasionnera pas de parasitage. S'il s'avère que le matériel ci-présent occasionne effectivement un parasitage des voies hertziennes ou télévisées, ce qui serait mis en évidence par la mise en marche et l'arrêt du matériel, l'utilisateur est conseillé d'essayer de l'éliminer en utilisant l'une ou plusieurs des mesures suivantes : Réorientation ou déplacement de l'antenne de réception du dispositif radio ou télévision concerné. Accroissement de la distance entre le matériel et le récepteur en question. Consultation du fournisseur ou d'un technicien radio/télé.

Ce produit est conforme à la norme canadienne ICES-003, Catégorie A. *Se reporter à la Déclaration apposée sur l'appareil.*

# RP 350/RP 351

## Selladoras



### **⚠ ADVERTENCIA!**

Antes de utilizar este aparato, lea detenidamente su Manual del Operario. Pueden ocurrir descargas eléctricas, incendios y/o graves lesiones personales si no se entienden y siguen las instrucciones de este manual.

### Selladoras RP 350 y RP 351

Apunte aquí el número de serie del aparato, que se encuentra en su placa de características. Guarde el número de serie.

N° de serie

--

## Índice de materias

Formulario de registro para el número de serie de la máquina.....	31
Simbología de seguridad y otros símbolos.....	33
<b>Advertencias de seguridad general para máquinas eléctricas</b>	
Seguridad en la zona de trabajo .....	33
Seguridad eléctrica .....	33
Seguridad personal .....	34
Uso y cuidado de las máquinas eléctricas.....	34
Uso y cuidado de las máquinas a batería .....	35
Servicio .....	35
<b>Información de seguridad específica</b>	
Seguridad de la selladora .....	35
<b>Información de contacto RIDGID®</b> .....	36
<b>Descripción</b> .....	36
<b>Especificaciones</b>	
Equipo estándar.....	39
<b>Inspección previa al funcionamiento</b> .....	40
<b>Montaje y operación</b> .....	40
Extracción y colocación de accesorios .....	40
Preparación de la conexión .....	41
Selladura de un acoplamiento con mordazas tradicionales de tipo tijera .....	41
Selladura de un acoplamiento con un accionador y aro sellador tradicionales .....	42
Inspección de la junta sellada .....	43
Funciones Bluetooth (transferencia inalámbrica de datos) .....	43
Operación en ambientes fríos .....	44
<b>Almacenamiento</b> .....	44
<b>Instrucciones de mantenimiento</b>	
Limpieza y lubricación .....	44
Servicio y reparaciones .....	44
Resolución de problemas .....	45
<b>Equipos opcionales</b> .....	45
<b>Eliminación</b> .....	46
<b>Compatibilidad electromagnética (CEM)</b> .....	46
<b>Declaración de FCC/ICES</b> .....	46
<b>Declaración de conformidad de la Comunidad Europea</b> .....	Interior de la carátula posterior
<b>Garantía de por vida</b> .....	Carátula posterior

\*Traducción del manual original

## Simbología de seguridad y otros símbolos

En este manual del operario y en el producto mismo encontrará símbolos y palabras de advertencia que comunican importante información de seguridad. Para su mejor comprensión, en esta sección se describe el significado de estas palabras y símbolos de advertencia.



Este es el símbolo de una alerta de seguridad. Sirve para prevenir al operario de las lesiones corporales que podría sufrir. Obedezca todas las instrucciones de seguridad que acompañan a este símbolo para evitar posibles lesiones o muerte.

### **PELIGRO**

Este símbolo de PELIGRO advierte de una situación de riesgo o peligro que, si no se evita, podría producir la muerte o lesiones graves.

### **ADVERTENCIA**

Este símbolo de ADVERTENCIA avisa de una situación de riesgo o peligro que, si no se evita, podría producir la muerte o lesiones graves.

### **CUIDADO**

Este símbolo de CUIDADO advierte de una situación de riesgo o peligro que, si no se evita, podría producir lesiones leves o moderadas.

### **AVISO**

Un AVISO advierte de la existencia de información relacionada con la protección de un bien o propiedad.



Este símbolo significa que es necesario leer detenidamente el manual del operario antes de usar el equipo. El manual del operario contiene información importante acerca del funcionamiento apropiado y seguro del equipo.



Este símbolo indica que siempre debe usar gafas o anteojos de seguridad con viseras laterales cuando manipule o use este aparato, para reducir el riesgo de lesión a los ojos.



Este símbolo indica que existe riesgo de aplastamiento de los dedos, manos y otras partes del cuerpo.



Este símbolo indica que hay riesgo de choque de electricidad.



Este símbolo indica que el producto debe usarse solamente bajo techo.



Este símbolo indica que el producto es un aparato de Clase II.



Este símbolo indica que este es un aparato eléctrico que no debe eliminarse con la basura común. *Vea la sección "Eliminación".*



Este símbolo indica que este aparato eléctrico satisface los requisitos de las correspondientes directrices de la Comunidad Europea.



Este símbolo indica el año en que se fabricó el producto.

## Advertencias de seguridad general para máquinas eléctricas\*

### **ADVERTENCIA**

**Lea todas las instrucciones, advertencias de seguridad, ilustraciones y especificaciones que se incluyen con esta máquina eléctrica. Si no se siguen y respetan todas las instrucciones que se indican a continuación, podrían producirse descargas eléctricas, incendios y/o lesiones graves.**

### **¡GUARDE TODAS LAS ADVERTENCIAS E INSTRUCCIONES PARA SU POSTERIOR CONSULTA!**

El término "máquina eléctrica" en las advertencias se refiere a la máquina eléctrica con cordón que recibe electricidad del tomacorriente o a la máquina eléctrica sin cordón que funciona a batería.

## Seguridad en la zona de trabajo

- **Mantenga su zona de trabajo limpia y bien iluminada.** Los lugares desordenados u oscuros pueden provocar accidentes.
- **No haga funcionar máquinas eléctricas en ambientes explosivos, es decir, en presencia de líquidos, gases o polvo inflamables.** Las herramientas eléctricas pueden generar chispas que podrían encender los gases o el polvo.
- **Mientras haga funcionar una máquina eléctrica, mantenga alejados a los niños y observadores.** Cualquier distracción podría hacerle perder el control del aparato.

## Seguridad eléctrica

- **El enchufe del aparato eléctrico debe corresponder al tomacorriente. Jamás modifique el enchufe del**

\* Como es obligatorio, el texto usado en la sección Advertencias de seguridad general para máquinas eléctricas de este manual es transcripción literal de la correspondiente norma UL/CSA 62841-1. Esta sección contiene las prácticas de seguridad general para distintos tipos de herramientas eléctricas. No todas las precauciones corresponden a cada herramienta; hay algunas que no le competen a estas herramientas.



**aparato. No utilice un enchufe adaptador cuando haga funcionar una herramienta eléctrica provista de conexión a tierra.** Los enchufes intactos y tomacorrientes que les corresponden reducen el riesgo de choques de electricidad.

- **Evite el contacto de su cuerpo con artefactos conectados a tierra tales como cañerías, radiadores, estufas o cocinas, y refrigeradores.** Aumenta el riesgo de choques de electricidad si su cuerpo ofrece conducción a tierra.
- **No exponga las máquinas eléctricas a la lluvia ni permita que se mojen.** Si entra agua a una máquina eléctrica aumenta el riesgo de choques de electricidad.
- **No maltrate el cordón eléctrico del aparato. Nunca transporte el aparato tomándolo de su cordón eléctrico ni jale del cordón para desenchufarlo del tomacorriente. Mantenga el cordón alejado del calor, aceite, bordes cortantes o piezas móviles.** Un cordón enredado o en mal estado aumenta el riesgo de choques de electricidad.
- **Al hacer funcionar una máquina eléctrica a la intemperie, emplee un cordón de extensión fabricado para uso al aire libre.** Los cordones diseñados para su empleo al aire libre reducen el riesgo de choques de electricidad.
- **Si resulta inevitable el empleo de una máquina eléctrica en un sitio húmedo, enchúfela en un tomacorriente GFCI (dotado de un Interruptor del Circuito de Pérdida a Tierra).** El interruptor GFCI reduce el riesgo de choques de electricidad.

## Seguridad personal

- **Manténgase alerta, preste atención a lo que está haciendo y use sentido común cuando haga funcionar una máquina eléctrica. No use ningún aparato eléctrico si usted está cansado o se encuentra bajo la influencia de drogas, alcohol o medicamentos.** Tan solo un breve descuido durante el funcionamiento de una máquina eléctrica puede resultar en lesiones personales graves.
- **Use equipo de protección personal. Siempre use protección para los ojos.** Según corresponda para cada situación, póngase equipos de protección como mascarilla para el polvo, calzado de seguridad antideslizante, casco o protección para los oídos, con el fin de reducir las lesiones personales.
- **Evite echar a andar un aparato sin querer. Asegure que el interruptor esté en posición de apagado (OFF) antes de conectar el aparato a la corriente eléctrica y/o a la batería, o de tomarlo o acarrearlo.** Se pueden producir accidentes cuando se transporta

una máquina eléctrica con el dedo puesto sobre el interruptor, o se la conecta a la fuente de energía con el interruptor en posición de encendido (ON).

- **Extraiga cualquier llave de ajuste que esté acoplada al aparato antes de encenderlo.** Una llave acoplada a una pieza o parte giratoria de la máquina eléctrica puede producir lesiones personales.
- **No trate de extender el cuerpo para alcanzar algo. Mantenga los pies bien plantados y mantenga el equilibrio en todo momento.** Esto permite un mejor control de la máquina eléctrica en situaciones inesperadas.
- **Vístase adecuadamente. No lleve ropa suelta ni joyas. Mantenga su cabello, ropa y guantes apartados de las piezas en movimiento.** La ropa suelta, las joyas o el pelo largo pueden engancharse en las piezas móviles.
- **Si se proveen dispositivos para la extracción y recolección del polvo, asegure que estén bien conectados y que se usen correctamente.** La extracción del polvo puede reducir los peligros que acarrea.
- **No permita que la familiarización debida al uso frecuente de las herramientas le induzca a hacer caso omiso de los principios de seguridad.** Cualquier descuido podría causar una lesión grave en una fracción de segundo.

## Uso y cuidado de las máquinas eléctricas

- **No fuerce las máquinas eléctricas. Use el aparato eléctrico correcto para la tarea que está por realizar.** Hará mejor el trabajo y en forma más segura con la máquina eléctrica que corresponda a su clasificación nominal.
- **Si el interruptor de la máquina eléctrica no la enciende (ON) o no la apaga (OFF), no utilice el aparato.** Cualquier máquina eléctrica que no se pueda controlar mediante su interruptor es un peligro y debe repararse.
- **Desenchufe el aparato del tomacorriente o extraiga la batería antes de hacer ajustes, cambiar accesorios o almacenarlo.** Estas medidas de seguridad preventiva reducen el riesgo de poner la máquina eléctrica en marcha involuntariamente.
- **Almacene las máquinas eléctricas que no estén en uso fuera del alcance de los niños y no permita que las hagan funcionar personas que no estén familiarizadas con estas herramientas o no hayan leído estas instrucciones de operación.** Las máquinas eléctricas en manos de personas no capacitadas son peligrosas.



- **Efectúeles un mantenimiento correcto y oportuno a las máquinas eléctricas y sus accesorios.** Revise que sus piezas móviles estén bien alineadas y que no se atascan. Verifique que no tengan piezas rotas ni presenten alguna condición que podría afectar su funcionamiento. Si un aparato eléctrico está dañado, hágalo reparar antes de utilizarlo. Muchos accidentes se deben a máquinas eléctricas que no han recibido un mantenimiento adecuado.
- **Mantenga las herramientas de cortar afiladas y limpias.** Cuando sus partes filosas se mantienen afiladas, son menos propensas a trabarse y más fáciles de controlar.
- **Utilice la máquina eléctrica, sus accesorios, brocas, barrenas, etc. en conformidad con estas instrucciones, teniendo en cuenta las condiciones imperantes y la tarea que se realizará.** Cuando se emplea una máquina eléctrica para efectuar trabajos que no le son propios, se crean situaciones peligrosas.
- **Mantenga los mangos y superficies de agarre secos, limpios y exentos de aceite y grasa.** Los mangos y superficies resbalosos no permiten al operario manejar la herramienta con seguridad en situaciones inesperadas.

### Uso y cuidado de las máquinas a batería

- **Vuelva a cargar las baterías únicamente con el cargador que especifica el fabricante.** Un cargador apropiado para cierto tipo de baterías puede causar un incendio si se le emplea para cargar otro tipo de baterías.
- **Coloque en la máquina eléctrica solamente la batería específicamente indicada.** El uso de baterías diferentes a las especificadas puede causar lesiones o un incendio.
- **Cuando la batería no esté en uso, manténgala apartada de otros objetos metálicos tales como sujetapapeles, monedas, llaves, clavos, tornillos o cualquier otra cosa metálica pequeña que pudiera efectuar una conexión entre un borne y el otro.** Los cortocircuitos entre los bornes de la batería podrían causar incendios o quemaduras.
- **En condiciones extremas de uso, la batería podría rezumar líquido. No lo toque. Si accidentalmente lo llegara a tocar, lávese la zona de contacto con agua. Si el líquido entra en contacto con sus ojos, solicite además atención médica.** El líquido de una batería puede causar irritación o quemaduras.
- **No use una batería o una máquina si están dañadas o modificadas.** Las baterías dañadas o modificadas

pueden actuar en forma inesperada y causar incendios, explosiones o lesiones.

- **No exponga la batería o la máquina eléctrica al fuego o a temperaturas excesivas.** La exposición al fuego o a temperaturas superiores a 265 °F (130 °C) puede causar una explosión.
- **Siga todas las instrucciones para cargar la batería. No cargue la batería ni la máquina a temperaturas que estén fuera de los límites especificados en las instrucciones.** Si carga la batería en forma equivocada o a temperaturas que estén fuera de los límites especificados, se puede dañar la batería y aumentar el riesgo de incendio.

### Servicio

- **Encomiende el servicio de la máquina eléctrica únicamente a técnicos de reparación calificados que solo empleen repuestos idénticos a las piezas originales.** Esto garantiza la continua seguridad de la máquina eléctrica.

## Información de seguridad específica

### ⚠ ADVERTENCIA

**Esta sección contiene información de seguridad importante que es específica para estas herramientas.**

**Antes de utilizar las selladoras, lea esta información detenidamente para reducir el riesgo de choques eléctricos o de otras lesiones graves.**

### ¡GUARDE TODAS LAS ADVERTENCIAS E INSTRUCCIONES PARA SU POSTERIOR CONSULTA!

El maletín de la herramienta tiene un compartimiento para guardar este manual con el fin de que el operario lo conserve a la mano.

### Seguridad de la selladora

- **Mantenga los dedos y manos apartados de los accesorios durante el ciclo de sellado.** Sus dedos o manos pueden ser aplastados, fracturados o amputados si quedan atrapados en los accesorios o entre estos componentes y cualquier otro objeto.
- **Nunca intente reparar los accesorios de sellado que estén dañados (mordazas, aro sellador, accionador, etc.). Deseche la totalidad del accesorio averiado.** Un accesorio que se haya soldado, afilado, perforado o modificado de cualquier forma podría hacerse trizas durante una selladura y causar lesiones graves. Si no reemplaza el accesorio completo de la selladora, los componentes podrían fallar y causar lesiones graves.

- **Cuando este aparato está en marcha, genera grandes fuerzas. Estas fuerzas podrían producir la rotura o expulsión de piezas y causar lesiones.** Manténgase apartado de la herramienta durante su uso y póngase el equipo de protección apropiado, incluso gafas de seguridad.
  - **Utilice solamente selladoras RIDGID® con los correspondientes accesorios de sellado RIDGID o accesorios de sellado aprobados por RIDGID (mordazas, aro sellador, accionador, etc.).** Si modifica la selladora o la utiliza para otras tareas, podría dañar la selladora, dañar los accesorios y causar lesiones personales.
  - **Use la combinación correcta de selladora, accesorio y acoplamiento.** Las combinaciones mal hechas pueden producir un sellado incompleto, lo cual aumenta el riesgo de fugas, daño al equipo y lesiones.
  - **Antes de hacer funcionar la selladora RIDGID®, usted debe leer y entender:**
    - Este manual del operario.
    - Las instrucciones de los accesorios.
    - El manual de las baterías y del cargador.
    - Las instrucciones de instalación del fabricante de los acoplamientos.
    - Las instrucciones de cualquier otro equipo o material que se utilicen en conjunto con esta herramienta.
- Si no se siguen todas las instrucciones y no se respetan las advertencias, podrían producirse daños a la propiedad y/o lesiones graves.

## Información de contacto RIDGID®

Si tiene alguna pregunta acerca de este producto RIDGID:

- Comuníquese con el distribuidor RIDGID en su localidad.
- Visite RIDGID.com para ubicar su contacto local de RIDGID.
- Comuníquese con el Departamento de Servicio Técnico de Ridge Tool en [rttechservices@emerson.com](mailto:rttechservices@emerson.com), o llame por teléfono desde EE. UU. o Canadá al (800) 519-3456.

## Descripción

La selladora RP 350 y la selladora RP 351 de RIDGID®, en conjunción con los accesorios apropiados, están diseñadas para engarzar mecánicamente un acoplamiento sobre un tubo, creando entre ellos un sello permanente y hermético, como por ejemplo para aplicaciones de plomería, calefacción, aire acondicionado y refrigeración. También se dispone de accesorios para otros usos.

Al oprimirse el interruptor de operación de la selladora, un motor eléctrico interno impulsa una bomba hidráulica que inyecta líquido hacia el interior del cilindro del aparato. Esto impulsa al ariete o pistón hacia delante, que aplica fuerza al accesorio y sella el acoplamiento. Todo el ciclo dura aproximadamente 4 segundos. Una vez que se inicia la deformación del acoplamiento, el ciclo continúa automáticamente hasta finalizar, aunque el operario suelte el interruptor de operación.

La selladora tiene una segunda modalidad de operación (“Modalidad de control”) que se puede encender mediante la aplicación Link App de RIDGID. En la modalidad de control, la selladora confirma que existe un alineamiento correcto del accesorio, acoplamiento y tubo.

Las luces de estado de la herramienta indican problemas que podrían existir tales como estado del aparato, estado de la batería, necesidad de mantenimiento o temperatura inapropiada. Se enciende una luz de trabajo cuando se oprime el interruptor de operación de la máquina, para iluminar el lugar de trabajo. El cabezal es capaz de rotar en 360°, para mejorar el acceso en lugares estrechos.

Las selladoras cuentan con bucles de tela que se pueden usar con los accesorios apropiados, tales como correas para colgar la herramienta al hombro o correas de amarre.

Las selladoras incluyen una tecnología inalámbrica Bluetooth®\* que permite la conexión con teléfonos Smartphone y tabletas. Vea los detalles en la sección *Funciones Bluetooth (transferencia inalámbrica de datos)*.

\* El nombre de marca Bluetooth® y su logotipo son marcas comerciales de Bluetooth SIG, Inc. y todo uso de dichas marcas por Emerson Electric Co. es bajo licencia. Otras marcas comerciales y nombres comerciales corresponden a sus respectivos titulares.



Figura 1 – Selladora RP 350 y mordaza de la serie Standard de RIDGID

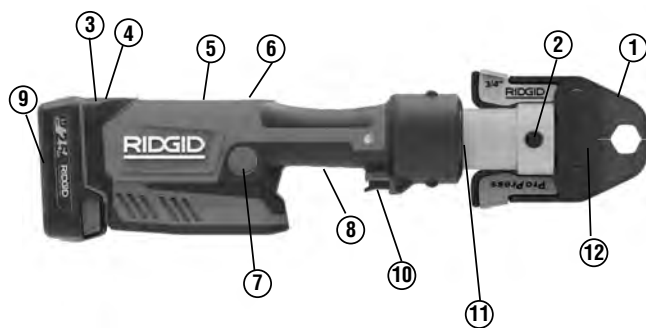


Figura 2 – Selladora RP 351 y mordaza de la serie Standard de RIDGID

#	Descripción
1	Juego de mordazas tipo tijera
2	Pasador de montaje de accesorios
3	Luces indicadoras del estado de la selladora
4	Botón de encendido y apagado
5	Etiqueta de advertencias (base de la RP 351)
6	Bucle de tela
7	Botón de liberación de presión (extremo más alejado de la RP 351)
8	Mango
9	Batería
10	Interruptor de operación
11	Luz de trabajo LED
12	Placa lateral de la mordaza



Figura 3 – Número de serie de la máquina. Los dígitos marcados con un círculo indican el año y el mes de fabricación (YY = año, MM = mes).



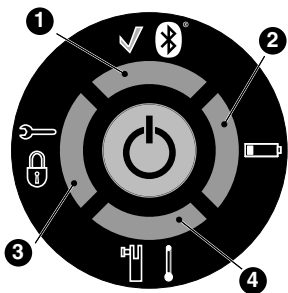
Control	Marca	Descripción
<b>Botón de encendido y apagado</b>		Interruptor principal de la herramienta (1 = encendida, 0 = apagada). Encendida: Presione el botón hasta que se encienda la luz. <i>Vea la Figura 5 – Luces indicadoras del estado de la selladora</i> Apagada: Presione el botón hasta que se apague la luz. La herramienta se apaga automáticamente después de diez (10) minutos de no usarla.
<b>Interruptor de operación</b>	—	<b>Encienda la luz de trabajo:</b> oprima levemente el interruptor de operación. <b>Modalidad normal:</b> Oprima el interruptor de operación para iniciar el ciclo de sellado y suéltelo cuando la máquina se enclava. Esta modalidad normal viene fijada de fábrica. <b>Modalidad de control:</b> Oprima el interruptor de operación para conectar con el accesorio colocado sobre la pieza trabajada. Haga los ajustes necesarios. Vuelva a oprimir el interruptor de operación para iniciar el ciclo de sellado y suelte el interruptor cuando la máquina se enclava. Si suelta el interruptor después de que la máquina se enclava en el accesorio, la máquina no deja de sellar. Esto asegura una integridad uniforme y reproducible de la selladura. La modalidad se puede cambiar mediante la aplicación Link App de RIDGID. <i>Vea la sección Funciones Bluetooth.</i>
<b>Botón de liberación de presión</b>		Permite suspender el ciclo sin que se complete la selladura. Si se usa, la selladura de la conexión no se completa y se debe repetir.
<b>Pasador de montaje de accesorios</b>	—	Sujeta el accesorio en la selladora. Debe estar completamente encajado para que pueda funcionar la herramienta. <i>Vea la Figura 6.</i>

Figura 4 – Tabla de controles



No. de segmento iluminado (luz constante)				Descripción
1 ✓ Bluetooth	2 [Battery]	3 [Lock]	4 [Plug]	
—	—	—	—	La selladora está apagada (OFF).
Verde	Verde	Verde	Verde	El botón de encendido (ON) está oprimido, luces encendidas 4 segundos al comienzo, la herramienta está en modalidad normal.
Azul	Azul	Azul	Azul	El botón de encendido (ON) está oprimido, luces encendidas 4 segundos al comienzo, la herramienta está en modalidad de control. <i>Vea la sección Funciones Bluetooth para cambiar la modalidad.</i>
Verde	—	—	—	La selladora está en modalidad normal, en espera, la herramienta está lista para funcionar.
Rojo	Amarillo	Amarillo	Amarillo	La selladora está averiada y no funcionará. Extraiga y vuelva a colocar la batería o el adaptador de CA. Si las luces siguen encendidas, encomiende la selladora a servicio.
Rojo	—	—	—	La selladora está averiada y no funcionará. Extraiga y vuelva a colocar la batería o el adaptador de CA. Si la luz roja sigue encendida, encomiende la selladora a servicio.
Amarillo	—	Rojo	Rojo	La selladora o la batería están fuera de los límites de temperatura especificada. La herramienta no funcionará. Deje que la selladora y la batería alcancen la temperatura de funcionamiento.
Amarillo	—	—	Rojo	El pasador de montaje del accesorio no está completamente encajado. La herramienta no funcionará. Introduzca el pasador a fondo. Si las luces siguen encendidas, encomiende la selladora a servicio.
Amarillo	Rojo	—	—	Batería con poca carga. La herramienta no funcionará. Vuelva a cargar la batería. Coloque la batería completamente cargada.
Verde	Azul	Azul	Azul	Se ha establecido la conexión Bluetooth. La selladora está en espera y lista para funcionar. Para más información, vea la sección <i>Funciones Bluetooth.</i>
		Morado		Se está actualizando el software de la máquina. La selladora no se puede usar durante la actualización.

Figura 5 – Luces indicadoras del estado de la selladora

## Especificaciones

<b>Selladora de pistola RP 350</b>	<b>Selladora en línea RP 351</b>
Accesorios .....Serie Standard de RIDGID®	Serie Standard de RIDGID®
Longitud de la carrera...1,57" (40 mm)	1,57" (40 mm)
<b>Motor</b>	
Voltaje .....18 V CC nominal	18 V CC nominal
Amperaje .....23 A	23 A
Potencia .....480 W	480 W
Fuerza del ariete.....7.200 libras (32 kN)	7.200 libras (32 kN)
Rotación del cabezal ...360°	360°
Ciclo de trabajo.....3 selladuras/min	3 selladuras/min
Alimentación .....Batería de ion litio de 18 V serie RB-18XX de RIDGID, o adaptador de CA RPA 120/220 de RIDGID. <i>Vea la sección Equipo opcional.</i>	
Alcance Bluetooth .....33 pies (10 m)	33 pies (10 m)
Humedad permisible.....80% máximo	80% máximo
Límites de temperatura de funcionamiento .....15° F a 122° F (-10° C a 50° C)	15° F a 122° F (-10° C a 50° C)
Temperatura de almacenamiento .....32° F a 113° F (0° C a 45° C)	32° F a 113° F (0° C a 45° C)
Peso (sin batería ni accesorio).....7,83 libras (3,55 kg)	7,83 libras (3,55 kg)
Dimensiones .....11,3" x 11,0" x 3,1" 287 mm x 279 mm x 77 mm	15,7" x 4,65" x 3,1" 398 mm x 118 mm x 77 mm
Presión de sonido (L <sub>PA</sub> )* .....<74.5 dB(A), K=3 dB(A)	<74.5 dB(A), K=3 dB(A)
Potencia de Vibración* .....<1,13 m/s <sup>2</sup> , K=1,5	<1,13 m/s <sup>2</sup> , K=1,5

\* Las determinaciones de sonido y vibración se miden según una prueba estandarizada conforme a la Norma EN 62481-1.

- Los niveles de vibración pueden usarse para hacer comparaciones con otras herramientas y para hacer una evaluación preliminar de la exposición.

- Las emisiones de sonido y vibración pueden variar según dónde se ubique el usuario y el uso específico de estos aparatos.

- La exposición diaria al sonido y a la vibración se debe evaluar para cada tarea y se deben tomar las correspondientes medidas de seguridad cuando sea necesario. La evaluación de los niveles de exposición debe tomar en cuenta el tiempo durante el cual está apagada la herramienta y el tiempo en que no se usa. Esto puede reducir el nivel de exposición significativamente durante todo el transcurso del período de trabajo.

### Equipo estándar

Consulte en el catálogo RIDGID los detalles de los equipos suministrados con números de catálogo específicos.

¡NOTA! Los accesorios de las selladoras RIDGID se ofrecen en dos series:

- Serie Standard
- Serie Compact

Los accesorios de una serie no son intercambiables con los de otra serie. Los accesorios de la serie Standard funcionan solamente con herramientas de la serie Standard (RP 350, RP 351, RP 342-XL, RP 340, RP 330, 320-E, CT-400).

Los accesorios de la serie Compact funcionan solamente con herramientas de la serie Compact (RP 240, RP 241, RP 200, RP 210, 100 B).

**AVISO** La selección de los materiales y de los métodos de unión o sellado es responsabilidad del diseñador y/o instalador del sistema. Antes de comenzar una instalación se requiere completar una cuidadosa evaluación de las condiciones ambientales imperantes, incluyendo las condiciones químicas y la temperatura de servicio. Consulte al fabricante del acoplamiento de sellado para seleccionar correctamente los componentes del sistema.



## Inspección previa al funcionamiento

### ⚠ ADVERTENCIA



**Inspeccione la selladora diariamente antes de usarla. Si detecta algún problema, corríjalo, con el fin de evitar lesiones graves por choques de electricidad, aplastamiento, falla de algún accesorio o por otras causas, y para prevenir daños a la herramienta.**

1. Apague la selladora (OFF) y extraiga la batería o el adaptador de CA de la selladora.
2. Limpie la selladora para quitarle el aceite, grasa o suciedad, especialmente en el mango y los controles. Esto facilita la inspección y ayuda a evitar que la herramienta o los controles se resbalen de sus manos.
3. Inspeccione la selladora para verificar lo siguiente:
  - Está completa y bien ensamblada, con el mantenimiento vigente.
  - No tiene piezas rotas, desgastadas, faltantes, mal alineadas o atascadas. Los bucles de tela están en buenas condiciones.
  - El pasador de montaje de accesorios se desplaza fácilmente entre la posición completamente abierta y la posición completamente cerrada. El pasador debe enclavarse bien en cada posición. Confirme que el interruptor de operación funciona bien, sin trabarse ni atascarse.
  - Las etiquetas de advertencia están adheridas y son legibles. *Vea la Figura 6.*
  - No existe ninguna condición que impida su funcionamiento seguro y normal.

Si encuentra algún problema, no utilice la selladora hasta que se hayan solucionado las fallas.



**Figura 6 – Luces de estado de la selladora y etiqueta de advertencias**

4. Inspeccione y hágale mantenimiento a los accesorios de la selladora según indican sus respectivas instrucciones. Extraiga el accesorio de la selladora. Confirme

que los accesorios están en buenas condiciones y claramente marcados para el uso indicado.

5. Inspeccione y hágales mantenimiento a todos los demás equipos que usará, conforme a sus instrucciones, para asegurar su buen funcionamiento.

## Montaje y operación

### ⚠ ADVERTENCIA



**Mantenga los dedos y las manos apartados del accesorio de la selladora durante el ciclo de sellado.**

**Sus dedos o manos podrían ser aplastados, fracturados o amputados en el accesorio, la selladora o entre el accesorio, pieza de trabajo y otros objetos.**

**Cuando este aparato está en marcha, genera grandes fuerzas. Estas fuerzas podrían producir la rotura o expulsión de piezas y causar lesiones. Manténgase apartado de la herramienta durante su uso y póngase el equipo de protección apropiado, incluso gafas de seguridad.**

**Use la combinación correcta de selladora, accesorio y acoplamiento. Las combinaciones mal hechas pueden producir un sellado incompleto, lo cual aumenta el riesgo de fugas, daño al equipo y lesiones.**

**Siga las instrucciones de montaje y operación para reducir el riesgo de lesiones por aplastamiento o por otras causas y para prevenir daños a la selladora.**

1. Confirme que la zona de trabajo es apropiada (vea *Advertencias de seguridad general para máquinas eléctricas*). Haga funcionar la selladora solamente en lugares despejados, nivelados, estables y secos. No use la máquina si está parado en un lugar con agua.
2. Inspeccione la tarea que debe realizar y determine cuál es la herramienta y los accesorios RIDGID que correspondan conforme a sus especificaciones. El uso de una máquina incorrecta para la aplicación puede causar lesiones, dañar la herramienta o producir conexiones incompletas.
3. Confirme que todos los equipos estén inspeccionados y montados según se indica en sus instrucciones.

### Extracción y colocación de accesorios

1. Apague la selladora y extraiga la batería o el adaptador de CA.
2. Abra completamente el pasador de montaje de accesorios. Extraiga o coloque el accesorio apropiado (*Figura 7*).
3. Cierre completamente el pasador de montaje de accesorios hasta que se traben en posición cerrada. Es necesario que esté completamente cerrado para que



no se dañe la selladora durante el funcionamiento. Las luces indicadoras del estado de la selladora se iluminan para indicar si el cierre está incompleto. Vea la explicación en la Figura 5, *Luces indicadoras del estado de la selladora*.

¡NOTA! No haga funcionar la selladora sin el accesorio, ya que se podría dañar la selladora.



Figura 7 – Pasador de montaje de accesorios

### Preparación de la conexión

**AVISO** Estas instrucciones son prácticas generales para diversos tipos de accesorios de selladoras. Siempre siga las instrucciones específicas que correspondan al accesorio de sellado en uso y las instrucciones específicas de instalación provistas por el fabricante del acoplamiento. Así se reduce el riesgo de producir una unión o conexión defectuosa y causar cuantiosos daños materiales.

1. Prepare la conexión de acuerdo con las instrucciones del fabricante del acoplamiento.
2. Con las manos secas, introduzca en la base de la selladora una batería completamente cargada o un adaptador de CA. Si está usando el adaptador con cordón dotado de GFCI, el GFCI (RCD) debe tener una corriente residual nominal de 30 mA o menos. Oprima el botón de encendido y apagado una sola vez, para encender la selladora. Todas las luces LED deben encenderse de color verde, indicando que la máquina está lista para usarse. Vea la Figura 5 – *Luces indicadoras del estado de la selladora* para comprender el significado de las demás luces.

### Selladura de un acoplamiento con mordazas tradicionales de tipo tijera

1. Agarre la selladora correctamente con las dos manos.

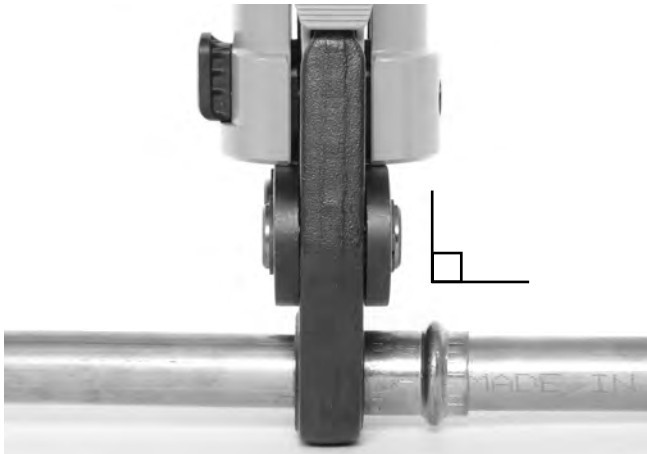


Figura 8 – Cómo agarrar la selladora

2. Apriete los brazos de la mordaza para abrirla.
3. Coloque las mordazas abiertas de manera que encierren el acoplamiento (Figura 9). El perfil de sellado de las mordazas debe estar bien alineado con el contorno del acoplamiento según se especifica en las instrucciones de instalación del fabricante del acoplamiento. Para cerrar las mordazas sobre el acoplamiento, suelte los brazos de la mordaza. No cuelgue el conjunto de mordaza del acoplamiento ya que la selladora podría caerse inesperadamente y causar lesiones graves o la muerte.



Figura 9 – Colocación de las mordazas tipo tijera para que encierren el acoplamiento



**Figura 10 – Las mordazas y el acoplamiento forman un ángulo recto**

4. Confirme que las mordazas estén bien colocadas y perpendiculares al acoplamiento (*Figura 10*). Mantenga los dedos y las manos apartados de las mordazas para evitar que sean aplastados por las mordazas o entre las mordazas y otras piezas.

**Modalidad normal:** Oprima el interruptor de operación (*Figura 1 y 2*). Una vez iniciado el ciclo de sellado y cuando los rodillos hacen contacto con los brazos de las mordazas, la selladora se enclava y automáticamente completa el ciclo. Aunque el operario suelte el interruptor, la selladora no se detendrá una vez iniciado el ciclo. Esto asegura que la selladora engarce juntas herméticas en forma uniforme y reproducible.

**Modalidad de control:** Oprima el interruptor de operación (*Figura 1 y 2*). Las mordazas encierran el acoplamiento pero no se hace la selladura. Haga los ajustes necesarios. Vuelva a oprimir el interruptor de operación para que la selladora se enclave sobre el acoplamiento y se complete el ciclo automáticamente. Aunque el operario suelte el interruptor, la selladora no se detendrá una vez iniciado el ciclo. Esto asegura que la selladora engarce juntas herméticas en forma uniforme y reproducible.

Si debe retirar la selladora antes de completar la conexión, oprima el botón de liberación de presión (*Figura 1 y 2*).

**AVISO** Cada vez que oprima el botón de liberación de presión, significa que NO se ha completado la selladura y la conexión debe volver a sellarse. Si la herramienta funciona mal durante la operación, use este procedimiento.

5. Suelte el interruptor de operación.
6. Apriete los brazos de las mordazas para abrirlas.

7. Desmonte las mordazas del acoplamiento. No toque los bordes filosos que podrían haberse formado en el acoplamiento durante la operación de sellado.
8. Cuando complete la operación, oprima el botón de encendido y apagado una sola vez para apagar la selladora. Extraiga la batería o el adaptador de CA de la máquina.

### **Selladura de un acoplamiento con un accionador y aro sellador tradicionales**

1. Abra el aro sellador y móntelo para que encierre el acoplamiento. El aro sellador debe quedar alineado con el contorno del acoplamiento según las *Instrucciones de instalación del fabricante del acoplamiento*. Suelte el aro para que se cierre alrededor del acoplamiento (*Figura 11*).
2. Confirme que la selladora tenga instalado el accionador apropiado. Apriete los brazos del accionador para abrir las puntas. Las puntas del accionador deben estar alineadas con las cavidades del aro sellador. Suelte los brazos del accionador y encaje bien las puntas del accionador en las cavidades del aro sellador (*Figura 12*). Si las puntas están mal alineadas con respecto a las cavidades, se puede dañar el aro o el accionador durante el ciclo de sellado. No permita que la selladora y el accionador cuelguen del aro sellador. La herramienta podría caerse inesperadamente y causar lesiones graves o la muerte.



**Figura 11 – Montaje del aro sellador en el acoplamiento**



**Figura 12 – Montaje del accionador en el aro sellador**

3. Confirme que el aro esté bien colocado y perpendicular al acoplamiento. Mantenga los dedos y manos alejados del accionador y del aro para evitar lesiones por quedar aplastados en el accesorio o entre el accesorio y otras piezas.

**Modalidad normal:** Oprima el interruptor de operación (Figura 1 y 2). Una vez iniciado el ciclo de sellado, cuando los rodillos hacen contacto con los brazos de las mordazas, la selladora se enclava y automáticamente completa el ciclo. Aunque el operario suelte el interruptor, la selladora una vez enclavada ya no se detendrá. Esto asegura que la selladora forme juntas herméticas de manera uniforme y reproducible.

**Modalidad de control:** Oprima el interruptor de operación (Figura 1 y 2). Las mordazas encierran el acoplamiento pero no se hace la selladura. Haga los ajustes necesarios. Vuelva a oprimir el interruptor de operación para que la selladora se enclave sobre el acoplamiento y se complete el ciclo automáticamente. Aunque el operario suelte el interruptor, la selladora no se detendrá una vez iniciado el ciclo. Esto asegura que la selladora engarce juntas herméticas en forma uniforme y reproducible.

4. Si debe retirar la selladora antes de completar la conexión, oprima el botón de liberación de presión (Figura 1 y 2).

**AVISO** Cada vez que oprima el botón de liberación de presión, significa que NO se ha completado la selladura y la conexión debe volver a sellarse. Si la herramienta funciona mal durante la operación, use este procedimiento.

5. Suelte el interruptor de operación.
6. Apriete los brazos del accionador para abrirlo. Extraiga el accionador del acoplamiento.
7. Extraiga el aro sellador del acoplamiento. No toque los bordes filosos que podrían haberse formado en el acoplamiento durante la operación de sellado.

8. Cuando complete la operación, oprima el botón de encendido y apagado una sola vez para apagar la selladora. Extraiga la batería o el adaptador de CA de la máquina.

### **Inspección de la junta sellada**

1. Inspeccione el acoplamiento sellado y verifique que:
  - El tubo está completamente insertado en el acoplamiento.
  - Los tubos no están demasiado mal alineados. Un alineamiento ligeramente defectuoso en la conexión se considera normal.
  - El accesorio no está mal alineado con el contorno del acoplamiento y el acoplamiento no está distorsionado o deforme.
  - No existe ningún otro problema, según el fabricante del acoplamiento. Esto podría incluir la eliminación de un anillo de control o calcomanía (usada para indicar que la conexión todavía no se ha sellado). Si encuentra cualquier problema, extraiga el acoplamiento e instale una nueva conexión.
2. Someta el sistema a prueba según las instrucciones del fabricante del conector, las prácticas normales y los códigos vigentes.

### **Funciones Bluetooth (transferencia inalámbrica de datos)**

Las selladoras RP 350 y RP 351 de RIDGID® incluyen tecnología inalámbrica Bluetooth® que permite la transferencia inalámbrica de datos a teléfonos inteligentes Smartphone o tabletas (“dispositivos”) correctamente equipados con sistemas de operación iOS o Android.

1. Para descargar la correspondiente aplicación Link app de RIDGID® al dispositivo de usted, vaya a RIDGID.com/apps, a Google Play Store o a Apple App Store.
2. Cuando la selladora está encendida, un dispositivo equipado con tecnología inalámbrica Bluetooth puede localizar la selladora y conectarse con ella. En los ajustes Bluetooth de su dispositivo, seleccione la herramienta RIDGID que desee. Consulte las instrucciones de su dispositivo para encontrar información específica sobre la forma de hacer la comunicación mediante la tecnología inalámbrica Bluetooth. Una vez lograda la comunicación, se iluminarán las luces de estado de la selladora de color verde-azul-azul-azul.

Después de la comunicación inicial, la mayoría de los dispositivos se conectan automáticamente con la herramienta cuando la tecnología Bluetooth está activa y dentro del alcance, y si los ajustes del dispositivo tienen la configuración necesaria. La selladora no debe estar a más de 33 pies (10 metros) del dispositi-

tivo para que éste la detecte. Cualquier obstáculo entre la herramienta y el dispositivo puede reducir el alcance de la tecnología Bluetooth.

3. Siga las instrucciones de la aplicación para usarla correctamente. La modalidad de funcionamiento se puede cambiar mediante la aplicación. La aplicación también permite monitorear los ciclos de la selladora.
4. La transferencia inalámbrica de datos se apaga cuando se apaga la selladora. Apague la conexión inalámbrica Bluetooth para reducir el consumo de la batería.

### Operación en ambientes fríos

Cuando disminuye la temperatura, se espesa el líquido hidráulico y se reduce el rendimiento de la batería. Para evitar un mal funcionamiento, las selladoras RP 350 y RP 351 dejan de funcionar si la temperatura ambiente está fuera de los límites especificados, como indican las luces indicadoras del estado de la selladora (*Figura 5*).

Cuando la temperatura ambiental esté fuera de los límites especificados para la herramienta, guarde la herramienta y las baterías en un lugar acondicionado hasta que estén listas para usar.

### Almacenamiento

Extraiga la batería o el adaptador de CA de la selladora. Guarde la selladora y la batería en el maletín. Evite almacenarlas en ambientes muy calurosos o muy fríos. La selladora no se encenderá si la temperatura está fuera de los límites especificados. Este problema lo indican las luces de estado de la herramienta (*vea la Figura 5*).

**ADVERTENCIA** Almacene la selladora en un lugar seco y resguardado, bajo llave, fuera del alcance de niños y de personas que no estén familiarizadas con las selladoras. El aparato es peligroso en manos de personas no capacitadas para utilizarlo.

## Instrucciones de mantenimiento

### ⚠ ADVERTENCIA

**Asegure que la selladora esté apagada y que se haya quitado la batería o el adaptador de CA de la selladora antes de efectuarle mantenimiento o hacer ajustes.**

### Limpieza y lubricación

1. Diariamente limpie la selladora con un paño limpio y seco.
2. Inspeccione el pasador de montaje de accesorios y lubríquelo con un lubricante de silicona cuando sea necesario.
3. Revise los resortes de retorno en los accesorios cada vez que se usen. Debe ser posible abrir y cerrar los accesorios fácilmente ejerciendo fuerza moderada con los dedos.

## Servicio y reparaciones

### ⚠ ADVERTENCIA

**Es peligroso hacer funcionar una selladora que ha recibido un servicio inapropiado o una mala reparación.**

El servicio o reparación de la selladora RP 350 o la selladora RP 351 deben efectuarse en un servicentro independiente RIDGID para selladoras.

Si necesita información sobre el servicentro independiente RIDGID más cercano o si tiene alguna pregunta acerca del servicio o reparaciones, vea la sección *Información de contacto* en este manual.

## Resolución de problemas

SÍNTOMA	POSIBLES RAZONES	SOLUCIÓN
La selladora no se enciende cuando se oprime el botón de encendido y apagado.	La batería está completamente descargada o ha fallado. La batería no está bien encajada en el mango de la selladora. El adaptador de CA no está correctamente encajado en la selladora.	Introduzca una batería completamente cargada o vuelva a cargar la batería agotada. Verifique que la batería esté bien insertada. Encaje correctamente el adaptador de CA en la selladora.
El accesorio está trabado con el acoplamiento.	No se completó bien la selladura.	Oprima el botón de liberación de presión para separar las mordazas del acoplamiento. Inspeccione y repita la selladura.
Las conexiones producidas no quedan completamente selladas.	Se ha usado un juego de mordazas equivocado para ese tamaño de tubo o para el material. La selladora no estaba perpendicular al tubo. El contorno de las mordazas no estaba alineado con el contorno del acoplamiento. La selladora debe repararse.	Instale el accesorio correcto. Vuelva a trabajar la conexión con un nuevo acoplamiento y un nuevo tubo. Asegure que la selladora forme un ángulo recto con el tubo. Vuelva a trabajar la conexión con un nuevo acoplamiento y un nuevo tubo. Asegure que el contorno de las mordazas esté alineado con el contorno del acoplamiento. Lleve la selladora a que le hagan servicio.
La selladora tiene una fuga de aceite.	Hay problemas de sello o problemas mecánicos.	
El motor funciona pero la selladora no completa su ciclo.	El nivel de aceite está bajo.	Lleve la selladora a que le hagan servicio.
La selladora se detiene durante la operación.	El nivel de aceite está bajo.	

Vea en la Figura 5 la explicación de las luces indicadoras del estado de la herramienta.

## Equipos opcionales

### ⚠ ADVERTENCIA

Con el fin de evitar lesiones graves, emplee únicamente los equipos específicamente diseñados y recomendados para usarse con las selladoras RP 350 y RP 351, como los que se listan a continuación.

### Baterías y adaptadores

N° Cat.	Descripción
56513	Batería RB-1825 de ion litio de 18 V y 2,5 Ah
56518	Batería RB-1850 de ion litio de 18 V y 5,0 Ah
44468	Adaptador de CA de 120 - Norteamérica
43338	Adaptador de CA de 220 – Europa
44823	Adaptador de CA de 120 - China

### Cargadores y cordones

N° Cat.		Región	Tipo de enchufe
64383	Cargador RBC-30	Norteamérica	A
56523	Cargador RBC-30	Europa	C
64388	Cargador RBC-30	China	A
64393	Cargador RBC-30	Australia	I
64378	Cargador RBC-30	Japón	A
64398	Cargador RBC-30	Reino Unido	G
64173	Cordón del cargador RBC-30	Norteamérica	A
64183	Cordón del cargador RBC-30	Europa	C

Vea la lista completa de equipos RIDGID disponibles para estas herramientas en el catálogo de Ridge Tool en línea en RIDGID.com o vea la *Información de contacto*.



## Eliminación

Algunas piezas de estas herramientas contienen materiales valiosos y se pueden reciclar. Hay compañías locales que se especializan en reciclaje. Deseche los componentes de acuerdo con todos los reglamentos vigentes. Para más información, comuníquese con la agencia local de eliminación de desechos.



**Para los países de la Comunidad Europea:**  
¡No deseche equipos eléctricos en la basura común!

De acuerdo con el Lineamiento Europeo 2012/19/EU para Desechos de Equipos Eléctricos y Electrónicos y su implementación en la legislación nacional, los equipos eléctricos inservibles deben desecharse por separado en una forma que cumpla con las normas del medio ambiente.

## Compatibilidad electromagnética (CEM)

El término compatibilidad electromagnética significa la capacidad del aparato de funcionar sin problemas en un entorno donde hay radiaciones electromagnéticas y descargas electrostáticas, y sin causar interferencia electromagnética en otros equipos.

**AVISO** Estas máquinas se ajustan a todas las normas CEM correspondientes. Sin embargo, no puede excluirse la posibilidad de que causen interferencias en otros aparatos. Todas las normas con respecto a CEM que se han probado están indicadas en el documento técnico del aparato.

## Declaración de FCC/ICES

Este aparato cumple con la Parte 15 de las Reglas del FCC. Su funcionamiento está sujeto al siguiente par de condiciones:

1. Este aparato no debe causar interferencias dañinas.
2. Este aparato debe aceptar cualquier interferencia que reciba, inclusive interferencias que podrían causar problemas de funcionamiento.

Cualquier modificación que no tenga la expresa aprobación de esta compañía podría anular el permiso del usuario para hacer funcionar el aparato.

Este aparato ha sido probado y se ha determinado que cumple con los límites para los aparatos digitales de Clase A, conforme a la parte 15 de las Reglas del FCC. Estos límites están diseñados para proporcionar una protección razonable contra las interferencias dañinas cuando el aparato se hace funcionar en un ambiente comercial. Este aparato genera, usa y puede irradiar energía de radiofrecuencia que, si no se instala y se utiliza conforme al manual de instrucciones, podría causar interferencias dañinas en las radiocomunicaciones. Es probable que el funcionamiento de este aparato en una zona residencial cause interferencias dañinas. En ese caso, se exige al usuario corregir la interferencia, a cuenta propia.

Este producto cumple con las especificaciones de Clase A ICES-003 de Canadá. *Vea la Declaración en la etiqueta del aparato.*



# RP 350/RP 351

## Presswerkzeuge



### **⚠️ WARNUNG!**

Lesen Sie diese Bedienungsanleitung vor dem Gebrauch des Geräts sorgfältig durch. Die Unkenntnis und Nichtbeachtung des Inhalts dieser Bedienungsanleitung kann zu Stromschlag, Brand und/oder schweren Verletzungen führen.

#### **RP 350/RP 351 Presswerkzeuge**

Notieren Sie unten die Seriennummer und bewahren Sie diese auf. Sie finden die Produkt-Seriennummer auf dem Typenschild.

Serien-Nr.

--	--

## Inhaltsverzeichnis

<b>Formular zum Festhalten der Geräteseriennummer</b> .....	47
<b>Sicherheitssymbole/Symbole</b> .....	49
<b>Allgemeine Sicherheits- und Warnhinweise für Elektrowerkzeuge</b> .....	49
Sicherheit im Arbeitsbereich.....	49
Elektrische Sicherheit.....	49
Sicherheit von Personen .....	50
Sachgemäßer Umgang mit Elektrowerkzeugen .....	50
Sachgemäßer Umgang mit Akkuwerkzeugen .....	51
Wartung.....	51
<b>Spezifische Sicherheitsinstruktionen</b> .....	51
Sicherheit des Presswerkzeugs .....	51
<b>RIDGID® Kontaktinformationen</b> .....	52
<b>Beschreibung</b> .....	52
<b>Technische Daten</b> .....	55
Standardausstattung.....	55
<b>Inspektion vor der Benutzung</b> .....	55
<b>Vorbereitung und Betrieb</b> .....	56
Entfernen/Anbringen des Aufsatzes .....	56
Vorbereiten der Verbindung .....	57
Pressen eines Fittings mit typischen Scherenbacken.....	57
Pressen eines Fittings mit typischem Stellantrieb und Pressringsatz .....	58
Überprüfen der Pressverbindung .....	59
Bluetooth-Funktionen (drahtlose Datenübertragung) .....	59
Betrieb bei kalter Witterung .....	59
<b>Aufbewahrung</b> .....	59
<b>Wartungsanweisungen</b> .....	59
Reinigung und Schmierung .....	59
<b>Wartung und Reparatur</b> .....	59
<b>Fehlerbehebung</b> .....	60
<b>Optionale Ausrüstung</b> .....	60
<b>Entsorgung</b> .....	61
<b>Elektromagnetische Verträglichkeit (EMV)</b> .....	62
<b>FCC/ICES-Erklärung</b> .....	62
<b>EG-Konformitätserklärung</b> .....	Hintere Umschlagseite
<b>Garantie</b> .....	Rückseite

\* Übersetzung der Originalbetriebsanleitung

## Sicherheitssymbole/Symbole

Wichtige Sicherheitshinweise werden in dieser Bedienungsanleitung und auf dem Produkt mit bestimmten Sicherheitssymbolen und Warnungen gekennzeichnet. Dieser Abschnitt enthält Erläuterungen zu diesen Warnhinweisen und Symbolen.



Dies ist das allgemeine Gefahrensymbol. Es weist auf mögliche Verletzungsgefahren hin. Beachten Sie alle Hinweise mit diesem Symbol, um Verletzungs- oder Lebensgefahr zu vermeiden.

### ⚠️ GEFAHR

GEFAHR weist auf gefährliche Situationen hin, die bei Nichtbeachtung zu tödlichen bzw. ernsthaften Verletzungen führen.

### ⚠️ WARNUNG

WARNUNG weist auf gefährliche Situationen hin, die bei Nichtbeachtung zu tödlichen bzw. ernsthaften Verletzungen führen können.

### ⚠️ ACHTUNG

ACHTUNG weist auf eine gefährliche Situation hin, die ohne entsprechende Sicherheitsvorkehrungen zu kleineren bis mittelschweren Verletzungen führen kann.

### HINWEIS

HINWEIS kennzeichnet Informationen, die sich auf den Schutz des Eigentums beziehen.



Dieses Symbol bedeutet, dass die Bedienungsanleitung sorgfältig durchzulesen ist, bevor das Gerät in Betrieb genommen wird. Die Bedienungsanleitung enthält wichtige Informationen für den sicheren, ordnungsgemäßen Gebrauch des Geräts.



Dieses Symbol bedeutet, dass bei der Arbeit mit diesem Gerät immer eine Schutzbrille mit Seitenschutz oder ein Augenschutz zu verwenden ist, um Augenverletzungen zu vermeiden.



Dieses Symbol weist auf die Gefahr von Quetschungen an Händen, Fingern oder anderen Körperteilen hin.



Dieses Symbol weist auf die Gefahr von Stromschlägen hin.



Dieses Symbol gibt an, dass das Produkt nur für die Verwendung in Räumen geeignet ist.



Dieses Symbol zeigt, dass es sich bei dem Produkt um ein Gerät der Klasse II handelt.



Dieses Symbol weist darauf hin, dass es sich um elektrische Geräte handelt, die nicht über den Hausmüll entsorgt werden dürfen. *Siehe Abschnitt „Entsorgung“.*



Dieses Symbol zeigt an, dass es sich um ein elektrisches Gerät handelt, das die Anforderungen der anwendbaren EG-Richtlinien erfüllt.



Dieses Symbol zeigt das Herstellungsjahr des Produkts an.

## Allgemeine Sicherheits- und Warnhinweise für Elektrowerkzeuge\*

### ⚠️ WARNUNG

**Lesen Sie alle Sicherheitswarnungen, Anweisungen, Illustrationen und Spezifikationen in Zusammenhang mit diesem Elektrowerkzeug. Die Nichtbeachtung der nachfolgenden Anweisungen kann zu Stromschlag, Brand und/oder schweren Verletzungen führen.**

### ALLE WARNUNGEN UND ANWEISUNGEN ZUR SPÄTEREN EINSICHT AUFBEWAHREN!

Der im folgenden Text verwendete Begriff „Elektrowerkzeug“ bezieht sich auf netzbetriebene Elektrowerkzeuge (mit Netzkabel) und akkubetriebene Elektrowerkzeuge (ohne Netzkabel).

### Sicherheit im Arbeitsbereich

- Halten Sie Ihren Arbeitsbereich sauber und sorgen Sie für eine gute Beleuchtung. Unordentliche und unzureichend beleuchtete Arbeitsbereiche erhöhen das Unfallrisiko.

- **Verwenden Sie Elektrowerkzeuge nicht in explosionsgefährlichen Umgebungen mit leicht entflammaren Flüssigkeiten, Gasen oder Staub.** Elektrowerkzeuge erzeugen im Betrieb Funken, durch die sich Staub oder Brandgase leicht entzünden können.
- **Sorgen Sie beim Betrieb eines Elektrowerkzeugs dafür, dass sich keine Kinder oder sonstige Unbeteiligte in dessen Nähe befinden.** Bei Ablenkungen kann die Kontrolle über das Gerät verloren gehen.

### Elektrische Sicherheit

- **Die Stecker des Elektrowerkzeugs müssen zur verwendeten Steckdose passen. Nehmen Sie niemals Veränderungen am Stecker vor. Verwenden Sie keine Adapterstecker in Kombination mit schutzgeerdeten Geräten.** Originalstecker und passende Steckdosen bedeuten die geringste Stromschlaggefahr.

\* Der im Abschnitt „Allgemeine Sicherheits- und Warnhinweise für Elektrowerkzeuge“ dieses Handbuchs verwendete Text wurde wörtlich aus der geltenden Norm UL/CSA 62841-1 übernommen. Dieser Abschnitt enthält allgemeine Sicherheitshinweise für viele verschiedene Elektrowerkzeugtypen. Nicht jede Sicherheitsvorkehrung gilt für jedes Werkzeug, einige gelten für dieses Werkzeug nicht.

- **Vermeiden Sie Körperkontakt mit geerdeten Oberflächen zum Beispiel von Rohren, Heizungen, Herden oder Kühlschränken.** Es besteht ein erhöhtes Risiko durch elektrischen Schlag, wenn Ihr Körper geerdet ist.
- **Halten Sie Elektrowerkzeuge von Regen und Nässe fern.** Das Eindringen von Wasser in ein Elektrowerkzeug erhöht die Stromschlaggefahr.
- **Das Netzkabel darf nicht für anderweitige Zwecke missbraucht werden. Verwenden Sie es niemals zum Tragen oder Ziehen des Werkzeugs oder zum Herausziehen des Steckers. Halten Sie das Kabel von Hitze, Öl, scharfen Kanten und bewegenden Teilen fern.** Beschädigte oder verhedderte Kabel erhöhen die Stromschlaggefahr.
- **Wenn Sie mit einem Elektrowerkzeug im Freien arbeiten, verwenden Sie nur Verlängerungskabel, die für die Verwendung im Freien geeignet sind.** Die Verwendung eines geeigneten Verlängerungskabels für den Gebrauch im Freien verringert die Gefahr eines Stromschlags.
- **Wenn Sie ein Elektrowerkzeug in feuchter Umgebung einsetzen müssen, verwenden Sie eine Stromversorgung mit Fehlerstromschutzschalter (FI-Schutzschalter).** Die Verwendung eines Fehlerstromschutzschalters (FI-Schutzschalters) verringert die Gefahr eines Stromschlags.

## Sicherheit von Personen

- **Seien Sie beim Betrieb eines Elektrowerkzeugs immer aufmerksam und verantwortungsbewusst. Verwenden Sie ein Elektrowerkzeug nicht unter Einfluss von Drogen, Alkohol oder Medikamenten.** Durch einen kurzen Moment der Unaufmerksamkeit können Sie sich selbst oder anderen erhebliche Verletzungen zufügen.
- **Tragen Sie immer persönliche Schutzkleidung. Immer einen Augenschutz tragen.** Das Tragen einer Schutzausrüstung, wie Staubmaske, rutschfeste Sicherheitsschuhe, Schutzhelm oder Gehörschutz, verringert das Risiko von Verletzungen und ist daher unbedingt erforderlich.
- **Verhindern Sie, dass Elektrowerkzeuge unbeabsichtigt eingeschaltet werden. Überprüfen Sie vor dem Einstecken des Steckers in die Steckdose und/oder des Anschließens eines Akkus, dem Aufheben oder Tragen des Werkzeugs, ob der Schalter in Stellung AUS steht.** Wenn Sie beim Tragen von Elektrowerkzeugen Ihren Finger auf dem Schalter halten oder den Stecker einstecken, während der Schalter auf EIN steht, besteht Unfallgefahr.
- **Entfernen Sie sämtliche Einstellwerkzeuge oder Schraubenschlüssel, bevor Sie den Schalter des Elektrowerkzeugs auf EIN stellen.** Ein Werkzeug oder Schlüssel, der sich in einem drehenden Geräteteil befindet, kann zu Verletzungen führen.

- **Lehnen Sie sich nicht zu weit in eine Richtung. Sorgen Sie stets für ein sicheres Gleichgewicht und einen festen Stand.** Dadurch können Sie das Gerät in unerwarteten Situationen besser kontrollieren.
- **Tragen Sie geeignete Kleidung. Tragen Sie keine weiten Kleidungsstücke oder Schmuck. Halten Sie Haare, Kleidung und Handschuhe von beweglichen Teilen fern.** Weite Kleidung, Schmuck oder lange Haare können von bewegten Teilen erfasst werden.
- **Wenn Staubabsaug- und Staubauffangeinrichtungen montiert werden können, vergewissern Sie sich, dass diese angeschlossen sind und richtig verwendet werden.** Durch Verwendung von Staubauffangeinrichtungen können die durch Staub entstehenden Gefahren erheblich reduziert werden.
- **Lassen Sie sich durch die Tatsache, dass Sie durch häufige Benutzung mit einem Werkzeug vertraut sind, nicht dazu verleiten, nachlässig zu werden und Sicherheitsprinzipien für den Umgang mit Werkzeugen zu ignorieren.** Eine unbedachte Handlung kann innerhalb von Sekundenbruchteilen schwere Verletzungen verursachen.

## Sachgemäßer Umgang mit Elektrowerkzeugen

- **Wenden Sie bei Verwendung des Elektrowerkzeugs keine Gewalt an. Verwenden Sie das korrekte Elektrowerkzeug für Ihre Anwendung.** Mit dem richtigen Elektrowerkzeug wird die anstehende Aufgabe effektiver und sicherer und in der richtigen Geschwindigkeit ausgeführt.
- **Verwenden Sie das Elektrowerkzeug nicht, wenn es sich nicht mit dem Schalter ein- und ausschalten lässt.** Ein Elektrowerkzeug, das sich nicht über den Schalter ein- und ausschalten lässt, stellt eine Gefahrenquelle dar und muss repariert werden.
- **Ziehen Sie den Stecker aus der Steckdose und/oder trennen Sie den Akku vom Elektrowerkzeug, bevor Sie Einstellungen vornehmen, Zubehörteile wechseln oder das Werkzeug einlagern.** Durch solche Vorsichtsmaßnahmen wird der unbeabsichtigte Start des Elektrowerkzeugs verhindert.
- **Bewahren Sie ungenutzte Elektrowerkzeuge außerhalb der Reichweite von Kindern auf und lassen Sie keine Personen das Werkzeug bedienen, die damit nicht vertraut sind oder diese Anweisungen nicht gelesen haben.** Elektrowerkzeuge sind gefährlich, wenn Sie von unerfahrenen Personen benutzt werden.
- **Elektrowerkzeuge müssen regelmäßig gewartet werden. Stellen Sie sicher, dass sich alle beweglichen und festen Teile in der richtigen Position befinden, keine**

Teile gebrochen sind oder sonstige Fehler vorliegen, um den reibungslosen Betrieb des Elektrowerkzeugs sicherzustellen. Bei Beschädigungen muss das Elektrowerkzeug vor einer erneuten Verwendung zunächst repariert werden. Viele Unfälle werden durch schlecht gewartete Elektrowerkzeuge verursacht.

- **Halten Sie Schneidwerkzeuge scharf und sauber.** Sorgfältig gepflegte Schneidwerkzeuge mit scharfen Schneidkanten verklemmen seltener und sind leichter zu führen.
- **Verwenden Sie Elektrowerkzeug, Zubehör, Einsatzwerkzeuge usw. entsprechend diesen Anweisungen und unter Berücksichtigung der Arbeitsbedingungen und der auszuführenden Tätigkeit.** Wenn Elektrowerkzeuge nicht vorschriftsmäßig verwendet werden, kann dies zu gefährlichen Situationen führen.
- **Halten Sie Griffe und Griffflächen trocken, sauber und frei von Ölen und Fetten.** Rutschige Griffe und Griffflächen verhindern eine sichere Handhabung und Kontrolle des Werkzeugs in unerwarteten Situationen.

### Sachgemäßer Umgang mit Akkuwerkzeugen

- **Nur mit dem vom Hersteller angegebenen Ladegerät laden.** Ein Ladegerät, das für einen Akkutyp geeignet ist, kann bei Verwendung mit einem anderen Typ zu Brandgefahr führen.
- **Verwenden Sie Elektrowerkzeuge nur mit explizit dafür vorgesehenen Akkus.** Der Einsatz mit anderen Akkus kann zu Verletzungs- und Brandgefahr führen.
- **Wenn der Akku nicht verwendet wird, halten Sie ihn fern von anderen metallischen Objekten wie Büroklammern, Münzen, Schlüsseln, Nägeln, Schrauben und anderen kleinen Metallgegenständen, die die Anschlüsse kurzschließen könnten.** Das Kurzschließen von Akkuan schlüssen kann zu Verbrennungen oder Bränden führen.
- **Bei falscher Anwendung kann aus dem Akku Flüssigkeit austreten. Kontakt vermeiden. Bei versehentlichem Kontakt mit Wasser abspülen. Bei Kontakt mit Augen wenden Sie sich zusätzlich an einen Arzt.** Die aus dem Akku austretende Flüssigkeit kann Reizungen oder Verätzungen verursachen.
- **Verwenden Sie keine Akkus oder Werkzeuge, die beschädigt oder modifiziert sind.** Beschädigte oder modifizierte Akkus können ein unvorhersehbares Verhalten zeigen, das zu Feuer, Explosion oder Verletzungsgefahr führen kann.
- **Akkus oder Werkzeuge dürfen keinem Feuer oder übermäßigen Temperaturen ausgesetzt werden.** Feuer oder Temperaturen über 265 °F (130 °C) können Explosionen verursachen.

- **Befolgen Sie alle Ladeanweisungen und laden oder lagern Sie den Akku oder das Werkzeug nicht außerhalb des in der Anleitung angegebenen Temperaturbereichs.** Durch unsachgemäßes Laden oder bei Temperaturen außerhalb des spezifizierten Bereichs kann der Akku beschädigt werden und die Brandgefahr erhöht sich.

### Wartung

- **Lassen Sie Ihr Elektrowerkzeug nur von qualifiziertem Fachpersonal und nur mit Original-Ersatzteilen reparieren.** Dadurch bleibt die Sicherheit des Elektrowerkzeugs gewährleistet.

## Spezifische Sicherheitsinstruktionen

### ⚠️ WARNUNG

Dieser Abschnitt enthält wichtige Sicherheitshinweise, die speziell für dieses Werkzeug gelten.

Lesen Sie vor dem Gebrauch der Presswerkzeuge diese Sicherheitshinweise sorgfältig durch, um die Gefahr eines Stromschlags oder anderer ernsthafter Verletzungen zu vermeiden.

### ALLE WARNUNGEN UND ANWEISUNGEN ZUR SPÄTEREN EINSICHT AUFBEWAHREN!

Ein Fach im Werkzeugkoffer dient zur Aufbewahrung der Anleitung beim Werkzeug, damit der Benutzer sie griffbereit hat.

### Sicherheit des Presswerkzeugs

- **Halten Sie während des Pressvorgangs Ihre Finger und Hände von Pressaufsätzen fern.** Ihre Finger oder Hände können gequetscht, gebrochen oder abgetrennt werden, wenn sie in den Aufsatz oder zwischen diesen Komponenten und andere Objekte geraten.
- **Versuchen Sie niemals, beschädigte Pressaufsätze (Backen, Pressring, Stellglied usw.) zu reparieren. Verwerfen Sie den gesamten beschädigten Aufsatz.** Ein Aufsatz, an dem geschweißt, geschliffen, gebohrt oder der in irgendeiner Weise modifiziert wurde, kann während des Pressvorgangs zerbrechen und zu schweren Verletzungen führen. Wird nicht der gesamte Pressaufsatz ersetzt, kann dies zu Komponentenversagen und schweren Verletzungen führen.
- **Bei der Nutzung treten große Kräfte auf, die Teile zerbrechen oder fortschleudern und Verletzungen verursachen können.** Halten Sie bei der Verwendung Abstand und tragen Sie geeignete Schutzausrüstung, einschließlich Augenschutz.
- **Nur RIDGID® Presswerkzeuge mit geeigneten RIDGID oder von RIDGID zugelassenen Pressaufsätze (Pressbacken, Pressringe, Stellglieder usw.) verwenden.**



Durch Zweckentfremdung oder Veränderung des Presswerkzeugs für andere Anwendungen können Presswerkzeug und Aufsätze beschädigt und/oder Verletzungen verursacht werden.

- **Verwenden Sie geeignete Kombinationen aus Werkzeug, Aufsatz und Fitting.** Unsachgemäße Kombinationen können zu einer unvollständigen Verbindung führen, was das Risiko von Leckagen, Geräteschäden und Verletzungen erhöht.
- **Bevor Sie ein RIDGID® Presswerkzeug benutzen, machen Sie sich vertraut mit:**
  - Dieser Betriebsanleitung
  - Den Anweisungen für den Aufsatz
  - Dem Handbuch für Akku/Ladegerät
  - Den Installationsanweisungen des Fitting-Herstellers
  - Den Anweisungen für jede mit diesem Werkzeug verwendete Ausrüstung und jedes Material.

Die Nichtbefolgung der Anweisungen und Warnungen kann zu Sachschäden und/oder schweren Verletzungen führen.

## RIDGID® Kontaktinformationen

Wenn Sie Fragen zu diesem RIDGID®-Produkt haben:

- Wenden Sie sich an Ihren örtlichen RIDGID-Händler.
- Einen RIDGID Kontaktpunkt in Ihrer Nähe finden Sie auf RIDGID.com.
- Wenden Sie sich an die Abteilung Technischer Kundendienst von Ridgitec unter [rtctechservices@emerson.com](mailto:rtctechservices@emerson.com) oder in den USA und Kanada telefonisch unter (800) 519-3456.

## Beschreibung

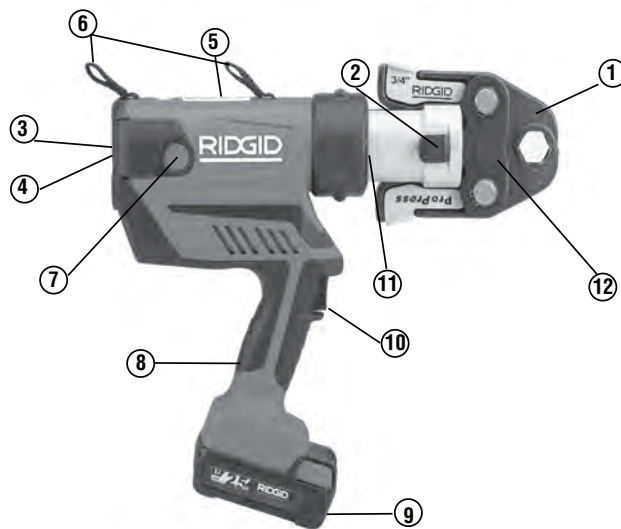
Die RIDGID® RP 350 und RP 351 Presswerkzeuge dienen, bei Verwendung mit geeigneten Aufsätzen, zum mechanischen Pressen von Fittings auf Leitungen, um eine wasserdichte permanente Verbindung zu schaffen, etwa bei Installationen, Heizungsbau sowie Klima- und Kühlanlagen. Aufsätze sind auch für andere Anwendungen erhältlich.

Wenn der Betriebsschalter am Presswerkzeug gedrückt wird, treibt ein interner Elektromotor eine Hydraulikpumpe an, die Flüssigkeit in den Zylinder des Werkzeugs befördert, die den Stößel vorwärts bewegt und Kraft auf den Aufsatz ausübt, wodurch das Fitting gepresst wird. Der Presszyklus dauert etwa 4 Sekunden. Sobald der Zyklus beginnt, ein Fitting zu verformen, wird er automatisch bis zum Abschluss fortgesetzt, auch wenn der Betriebsschalter losgelassen wird.

Das Werkzeug verfügt über eine zweite Betriebsart („Kontrollmodus“), die über die RIDGID Link-App eingeschaltet werden kann. Der Kontrollmodus ermöglicht es, das Fitting vor dem Pressen in Eingriff zu bringen, um die ordnungsgemäße Ausrichtung von Aufsatz, Fitting und Rohr kontrollieren zu können.

Die Werkzeugstatusleuchten zeigen u.A. Werkzeugstatus, Akkustatus, erforderliche Wartung oder falsche Temperatur an. Eine Arbeitslicht leuchtet auf, wenn der Betriebsschalter gedrückt wird, um den Arbeitsbereich auszuleuchten. Der Kopf kann für einen besseren Zugang an Engstellen um 360° gedreht werden.

Die Werkzeuge werden mit Textilschlaufen geliefert, die mit geeignetem Zubehör wie Schultergurt oder Befestigungsschnüren verwendet werden können.

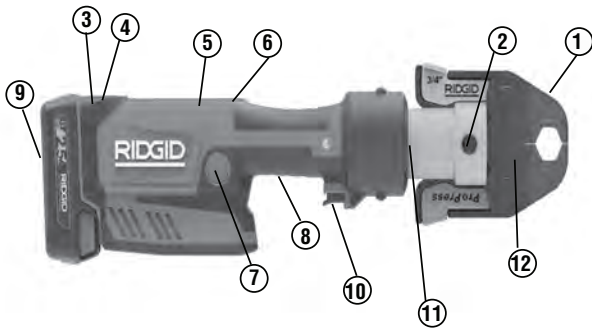


**Abbildung 1 – RIDGID RP 350 Presswerkzeug und Backen der Standard-Serie**

Die Presswerkzeuge sind mit der drahtlosen Bluetooth®\* Technologie ausgestattet, die die Verbindung mit Smartphones und Tablets erlaubt. *Siehe Abschnitt „Bluetooth-Funktionen (drahtlose Datenübertragung)“ für Einzelheiten.*

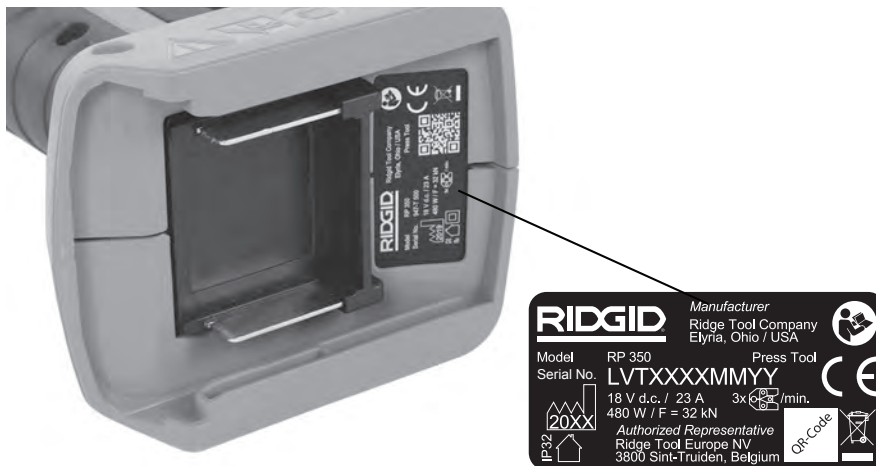
\* Die Bluetooth®-Wortmarke und -Logos sind eingetragene Marken von Bluetooth SIG, inc. und jegliche Verwendung solcher Marken durch Emerson Electric Co. steht unter Lizenz. Andere Marken und Handelsnamen sind die ihrer jeweiligen Eigentümer.





**Abbildung 2 – RIDGID RP 351 Presswerkzeug und Backen der Standard-Serie**

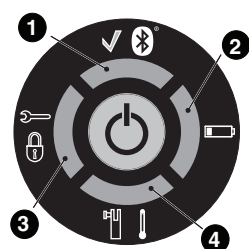
#	Beschreibung
1	Scherenbackensatz
2	Aufsatzbefestigungsstift
3	Statusleuchten des Werkzeugs
4	Ein-/Aus-Taste (ON/OFF)
5	Warnschild (RP 351 Unterseite)
6	Textilschleife
7	Druckabbautaste (RP 351 andere Seite)
8	Handgriff
9	Akku
10	Betriebsschalter
11	LED-Arbeitsbeleuchtung
12	Backenseitenplatte



**Abbildung 3 - Seriennummer der Maschine - Eingekreiste Ziffern geben das Jahr und den Monat der Herstellung an. (YY = Jahr, MM = Monat).**

Kontrolle	Kennzeichnung	Beschreibung
Ein-/Aus-Taste		Hauptschalter des Werkzeugs. (I = EIN, O = AUS). EIN: Drücken Sie die Taste, bis das Licht eingeschaltet wird. <i>Siehe Abbildung 5 – Statusleuchten des Werkzeugs.</i> AUS: Drücken Sie die Taste, bis das Licht ausgeschaltet wird. Das Werkzeug wird automatisch abgeschaltet, wenn es (10) Minuten lang nicht benutzt wird.
Betriebs-schalter	—	<b>Arbeitslicht einschalten:</b> Drücken Sie den Betriebsschalter leicht. <b>Normaler Modus:</b> Drücken Sie den Betriebsschalter, um den Presszyklus zu starten. Lassen Sie los, wenn das Werkzeug einrastet. Der Normalmodus ist werkseitig eingestellt. <b>Kontrollmodus:</b> Drücken Sie den Betriebsschalter, um die Befestigung am Werkstück einzurasten. Nehmen Sie die erforderlichen Einstellungen vor. Drücken Sie den Betriebsschalter erneut, um den Presszyklus zu starten. Lassen Sie los, wenn das Werkzeug einrastet. Durch Loslassen des Schalters wird das Werkzeug nicht gestoppt, wenn es einmal verriegelt ist. Dies gewährleistet eine einheitliche, wiederholbare Integrität der Pressverbindung. Der Modus kann mit RIDGID Link-App geändert werden, <i>siehe Abschnitt Bluetooth-Funktionen.</i>
Druckab-bautaste		Ermöglicht das Lösen des Werkzeugs ohne Abschluss des Pressvorgangs. Falls verwendet, ist die Pressverbindung nicht vollständig und muss wiederholt werden.
Aufsatzbefestigungsstift	—	Hält den Aufsatz am Werkzeug. Muss für den Betrieb des Werkzeugs vollständig eingesetzt sein. <i>Siehe Abbildung 6.</i>

Abbildung 4 – Bedienelemente







Nummer des Leuchtsegments (Dauerlicht an)				Beschreibung
1 	2 	3 	4 	
—	—	—	—	Werkzeug aus (OFF) drücken.
Grün	Grün	Grün	Grün	EIN-Taste gedrückt, leuchtet 4 Sekunden beim Start, Werkzeug im „Normalmodus“.
Blau	Blau	Blau	Blau	EIN-Taste gedrückt, leuchtet 4 Sekunden beim Start, Werkzeug im „Kontrollmodus“ - siehe Abschnitt <i>Bluetooth-Funktionen</i> zum Ändern des Modus.
Grün	—	—	—	Presswerkzeug ist im Normalmodus, Standby, Presswerkzeug ist betriebsbereit.
Rot	Gelb	Gelb	Gelb	Fehlfunktion des Werkzeugs. Werkzeug funktioniert nicht. Entfernen Sie den Akku oder das Netzteil und setzen Sie ihn bzw. es wieder ein. Wenn das Licht noch leuchtet, geben Sie das Werkzeug in die Wartung.
Rot	—	—	—	Fehlfunktion des Werkzeugs. Werkzeug funktioniert nicht. Entfernen Sie den Akku oder das Netzteil und setzen Sie ihn bzw. es wieder ein. Wenn das rote Licht noch leuchtet, geben Sie das Werkzeug in die Wartung.
Gelb	—	Rot	Rot	Werkzeug und/oder Akku außerhalb des spezifizierten Temperaturbereichs. Werkzeug funktioniert nicht. Werkzeug und Akku in den korrekten Betriebstemperaturbereich bringen.
Gelb	—	—	Rot	Aufsatzbefestigungsstift wurde nicht vollständig eingeführt. Werkzeug funktioniert nicht. Stift vollständig einsetzen. Wenn die Lichter immer noch leuchten, geben Sie das Werkzeug in die Wartung.
Gelb	Rot	—	—	Akku schwach. Werkzeug funktioniert nicht. Akku aufladen/vollständig aufgeladenen Akku einsetzen.
Grün	Blau	Blau	Blau	Bluetooth-Verbindung hergestellt, Standby, Werkzeug betriebsbereit drücken - Für weitere Informationen siehe Abschnitt über <i>Bluetooth-Funktionen.</i>
		Violett		Firmware-Update im Gange, das Tool kann während der Aktualisierung nicht verwendet werden.

Abbildung 5 – Statusleuchten des Werkzeugs

## Technische Daten

	RP 350 Pistolen-Presswerkzeug	RP 351 Stab-Presswerkzeug
Aufsätze.....	RIDGID Standard-Serie	RIDGID Standard-Serie
Hublänge.....	1,57" (40 mm)	1,57" (40 mm)
Motor		
Nennspannung.....	18 V	18 V
Stromstärke.....	23 A	23 A
Leistung .....	480 Watt	480 Watt
Kolbenkraft.....	7200 lbs. (32 kN)	7200 lbs. (32 kN)
Kopfdrehung.....	360°	360°
Arbeitszyklen.....	3 Pressvorgänge  /min	3 Pressvorgänge  /min
Stromversorgung.....	RIDGID RB-18XX-Serie 18 V Li-Ionen-Akku oder RIDGID RPA 120/220 Wechselstrom-Netzadapter (siehe Abschnitt <i>Optionale Ausrüstung</i> )	
Bluetooth-Reichweite.....	33 ft. (10 m)	33 ft. (10 m)
Zulässige Luftfeuchtigkeit .....	80% maximal	80 % maximal
Betriebstemperaturbereich .....	15° F bis 122° F (-10° C bis 50° C)	15° F bis 122° F (-10° C bis 50° C)
Lagerungstemperaturbereich.....	32° F bis 113° F (0° C bis 45° C)	32° F bis 113° F (0° C bis 45° C)
Gewicht (ohne Akku/Aufsatz).....	7.83 lbs (3,55 kg)	7.83 lbs (3,55 kg)
Abmessungen .....	11.3" x 11.0" x 3.1" 287 mm x 279 mm x 77 mm	15.7" x 4.65" x 3.1" 398 mm x 118 mm x 77 mm
Schalldruck (L <sub>PA</sub> )* .....	<74,5 dB(A), K=3 dB(A)	<74,5 dB(A), K=3 dB(A)
Vibration* .....	<1,13 m/s <sup>2</sup> . K=1,5	<1,13 m/s <sup>2</sup> . K=1,5

\* Schall und Vibration werden nach einem standardisierten Verfahren gemäß der Norm EN 62481-1 gemessen.

- Vibrationsniveaus können für Vergleiche mit anderen Werkzeugen und für die vorläufige Einschätzung der Exposition verwendet werden.

- Schall- und Vibrationsemissionen können aufgrund Ihres Standorts und der spezifischen Verwendung dieser Werkzeuge schwanken.

- Das tägliche Expositions-niveau für Schall und Vibrationen muss für jede Anwendung bewertet werden und bei Bedarf sind entsprechende Sicherheitsmaßnahmen zu treffen. Bei der Bewertung des Expositions-niveaus sollte die Zeit berücksichtigt werden, für die ein Werkzeug abgeschaltet ist und nicht benutzt wird. Dadurch kann sich das Expositions-niveau über die gesamte Arbeitszeit signifikant verringern.

## Standardausstattung

Einzelheiten über die Ausrüstung, die mit bestimmten Werkzeugen geliefert wird, finden Sie im RIDGID Katalog.

HINWEIS! Aufsätze für RIDGID-Presswerkzeug werden in zwei „Serien“ angeboten

- Standardserie
- Kompaktserie

Diese Aufsatzserien sind nicht austauschbar. Aufsätze der Standardserie funktionieren ausschließlich mit Werkzeugen der Standardserie (RP 350, RP 351, RP 342-XL, RP 340, RP 330, 320-E, CT-400). Aufsätze der Kompaktserie funktionieren ausschließlich mit Werkzeugen der Kompaktserie (RP 240, RP 241, RP200, RP210, 100B).

**HINWEIS** Für die Auswahl der geeigneten Materialien, sowie der Verbindungsmethoden ist der Systemdesigner und/oder Installateur verantwortlich. Bevor eine Installation unternommen wird, sollte eine sorgfältige Bewertung der spezifischen Betriebsumgebung, einschließlich der chemischen Umgebung und der Betriebstemperatur, durchgeführt werden. Wenden Sie sich für Informationen zur Auswahl an den Hersteller des Press-Fitting-Systems.

## Inspektion vor der Benutzung

### ⚠ WARNUNG



**Kontrollieren Sie Ihr Presswerkzeug täglich vor dem Gebrauch und beheben Sie eventuelle Störungen, um die Verletzungsgefahr durch elektrische Schläge, Quetschung, Ausfall des Aufsatzes und andere Ursachen, sowie Schäden am Gerät zu verringern.**

1. Schalten Sie das Gerät aus und entfernen Sie den Akku bzw. das Netzteil aus dem Gerät.
2. Entfernen Sie etwaige Öl- und Fettrückstände und Verschmutzungen vom Gerät, insbesondere von Griffen und Bedienelementen. Dies erleichtert die Inspektion und hilft, zu vermeiden, dass Werkzeug oder Bedienelemente Ihnen aus den Händen gleiten.
3. Überprüfen Sie das Presswerkzeug auf:
  - Korrekte Montage, Wartung und Vollständigkeit.
  - Gebrochene, verschlissene, fehlende, falsch eingestellte oder klemmende Teile. Vergewissern Sie sich, dass die Textilschlaufen in gutem Zustand sind.

- Gleichmäßige Bewegung des Befestigungsstifts des Aufsatzes zwischen der vollständig geöffneten und der vollständig geschlossenen Position. Der Stift sollte in beiden Positionen einrasten. Vergewissern Sie sich, dass sich der Betriebsschalter frei bewegt und nicht blockiert oder klemmt.
- Warnschild vorhanden und lesbar (siehe Abbildung 6).
- Umstände, die einen sicheren und normalen Betrieb verhindern könnten.

Benutzen Sie das Presswerkzeug erst, nachdem etwaige Probleme behoben wurden.

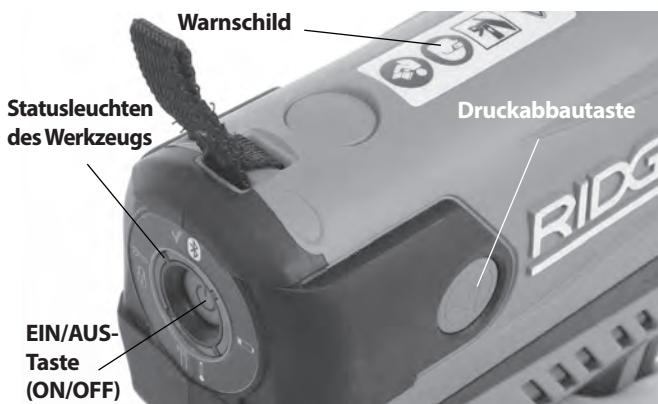


Abbildung 6 - Statusleuchten/Warnschild

4. Überprüfen und warten Sie die Werkzeugbefestigungen gemäß ihren Anweisungen. Entfernen Sie den Aufsatz vom Werkzeug. Vergewissern Sie sich, dass sich die Aufsätze in gutem Zustand befinden und deutlich als zu verwenden gekennzeichnet sind.
5. Kontrollieren und warten Sie alle anderen verwendeten Ausrüstungsteile gemäß der jeweiligen Anleitung, um sicherzustellen, dass sie in funktionsfähigen Zustand sind.

## Vorbereitung und Betrieb

### ⚠️ WARNUNG



**Halten Sie während des Pressvorgangs Ihre Finger und Hände von Werkzeugaufsätzen**

**fern. Ihre Finger oder Hände können gequetscht, gebrochen oder abgetrennt werden, wenn sie in den Aufsatz oder das Werkzeug oder zwischen Werkzeugkopf und Aufsatz bzw. Werkstück und andere Objekte geraten.**

**Bei der Nutzung treten große Kräfte auf, die Teile zerbrechen oder fortschleudern und Verletzungen verursachen können. Halten Sie bei der Verwendung Abstand und tragen Sie geeignete Schutzausrüstung, einschließlich Augenschutz.**

**Verwenden Sie geeignete Kombinationen aus Werkzeug, Aufsatz und Fitting.**

**Unsachgemäße Kombinationen können zu einer unvollständigen Pressverbindung führen, was das Risiko von Leckagen, Geräteschäden und Verletzungen erhöht.**

**Befolgen Sie die Vorbereitungs- und Betriebsanweisungen, um das Risiko der Verletzung durch Quetschung und andere Ursachen zu mindern und Schäden am Werkzeug zu vermeiden.**

1. Geeigneten Arbeitsbereich bestätigen (siehe Allgemeine Sicherheitswarnungen für Elektrowerkzeuge). Arbeiten Sie auf einem freien, ebenen, stabilen und trockenen Untergrund. Benutzen Sie das Werkzeug nicht, wenn Sie im Wasser stehen.
2. Prüfen Sie die durchzuführenden Arbeiten und bestimmen Sie das richtige RIDGID-Werkzeug und den richtigen RIDGID-Aufsatz für die Anwendung gemäß ihren Spezifikationen. Die Verwendung einer für eine Anwendung ungeeigneten Ausrüstung kann zu Verletzungen führen, das Werkzeug beschädigen und zur Erstellung unvollständiger Verbindungen führen.
3. Vergewissern Sie sich, dass die gesamte Ausrüstung überprüft und den Anweisungen entsprechend vorbereitet wurde.

## Entfernen/Anbringen des Aufsatzes

1. Schalten Sie das Gerät aus und entfernen Sie den Akku bzw. das Netzteil aus dem Gerät.
2. Den Befestigungsstift des Aufsatzes vollständig öffnen. Entfernen/Einstecken eines geeigneten Aufsatzes (Abbildung 7).
3. Den Befestigungsstift des Aufsatzes vollständig schließen, bis er in der geschlossenen Position einrastet. Der Befestigungsstift des Aufsatzes muss vollständig geschlossen sein, um eine Beschädigung des Werkzeugs während des Gebrauchs zu vermeiden. Die Werkzeugstatusleuchten werden zur Anzeige aufleuchten, siehe Abbildung 5 für Statusleuchten des Werkzeugs.

**HINWEIS!** Das Werkzeug nicht ohne montierten Aufsatz betreiben, da dies das Werkzeug beschädigen kann.



Abbildung 7 – Aufsatzbefestigungsstift



## Vorbereiten der Verbindung

**HINWEIS** Diese Anweisungen sind verallgemeinerte Praktiken für verschiedene Arten von Presswerkzeugaufsätzen. Befolgen Sie stets die spezifischen Anweisungen für den verwendeten Presswerkzeugaufsatz und die spezifischen Installationsanweisungen des Fitting-Herstellers, um das Risiko unsachgemäßer Pressverbindungen und umfangreicher Sachschäden zu verringern.

1. Bereiten Sie die Pressverbindung gemäß den Anweisungen des Fitting-Herstellers vor.
2. Setzen Sie mit trockenen Händen einen vollständig geladenen Akku oder ein Netzteil in das Werkzeug ein. Wenn das kabelgebundene Netzteil mit einem Erdschlussunterbrecher verwendet wird, sollte der Erdschlussunterbrecher (FI-Schalter) einen Nennreststrom von 30 mA oder weniger aufweisen. Drücken Sie die EIN/AUS-Taste einmal, um das Werkzeug einzuschalten. Alle LEDs leuchten grün auf und zeigen damit an, dass das Werkzeug einsatzbereit ist. *Siehe Abbildung 5 - Werkzeugstatusleuchten bei jeder anderen Farbe.*

## Pressen eines Fittings mit typischen Scherenbacken

1. Halten Sie das Werkzeug mit beiden Händen richtig fest.



Abbildung 8 - Halten des Werkzeugs

2. Drücken Sie auf die Backenarme, um die Backen zu öffnen.
3. Offene Pressbacken um das Fitting legen (Abbildung 9). Das Backenpressprofil korrekt an der Kontur des Fittings ausrichten, wie in den Installationsanweisungen des Fitting-Herstellers angegeben. Lassen Sie die Backenarme los, um die Pressbacken um das Fitting herum zu schließen. Den Pressbackensatz nicht am Fitting aufhängen. Das Werkzeug könnte plötzlich herunterfallen und schwere Verletzungen, möglicherweise mit Todesfolge, verursachen.



Abbildung 9 – Anbringen von Scherenbacken am Fitting

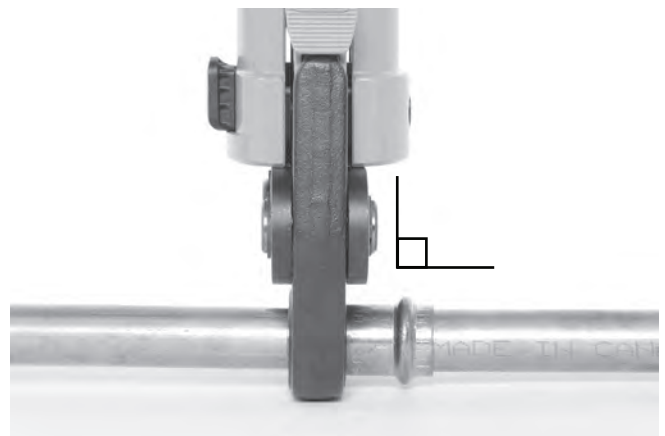


Abbildung 10 – Backen gerade am Fitting

4. Vergewissern Sie sich, dass die Pressbacken korrekt und gerade am Fitting platziert sind (Abbildung 10). Halten Sie Finger und Hände von den Pressbacken fern, um Quetschverletzungen in den Pressbacken oder zwischen Pressbacken und Umgebung zu vermeiden.

**Normaler Modus:** Drücken Sie den Betriebsschalter (Abbildungen 1 und 2). Sobald der Werkzeugzyklus beginnt und die Rollen die Backenarme berühren, verriegelt sich das Werkzeug und schließt den Zyklus automatisch ab. Durch Loslassen des Schalters wird das Werkzeug nicht gestoppt, wenn es einmal verriegelt ist. Dies gewährleistet eine einheitliche, wiederholbare Integrität der Pressverbindung.

**Kontrollmodus:** Drücken Sie den Betriebsschalter (Abbildungen 1 und 2). Die Backen greifen in das Fitting ein, aber die Pressverbindung wird nicht hergestellt. Nehmen Sie die erforderlichen Einstellungen vor. Drücken Sie den Betriebsschalter erneut, das Werkzeug rastet ein und schließt den Zyklus automatisch ab. Durch Loslassen des Schalters wird das Werkzeug nicht gestoppt, wenn es einmal verriegelt ist. Dies gewährleistet eine einheitliche, wiederholbare Integrität der Pressverbindung.

Wenn das Werkzeug entfernt werden muss, bevor eine Pressverbindung fertiggestellt ist, drücken Sie die Drucklösetaste (Abbildungen 1 und 2).

**HINWEIS** Wenn die Lösetaste gedrückt wird, ist die Pressverbindung NICHT vollständig und das Fitting muss erneut gepresst werden, um Fertigstellung zu gewährleisten. Wenn im Betrieb eine Fehlfunktion des Werkzeugs auftritt, wenden Sie dieses Verfahren an.

5. Lassen Sie den Betriebsschalter los.
6. Drücken Sie auf die Backenarme, um die Backen zu öffnen.
7. Pressbacken vom Fitting entfernen. Meiden Sie scharfe Kanten, die sich beim Pressvorgang am Fitting gebildet haben könnten.
8. Wenn der Vorgang abgeschlossen ist, drücken Sie einmal die EIN/AUS-Taste, um das Werkzeug abzuschalten. Entfernen Sie den Akku oder das Netzteil aus dem Werkzeug.

### Pressen eines Fittings mit typischem Stellantrieb und Pressringsatz

1. Ring öffnen und um Fitting legen. Das Ringpressprofil korrekt an der Kontur des Fittings ausrichten, wie in den *Installationsanweisungen des Fitting-Herstellers* angegeben. Den Ring loslassen, sodass er sich um das (Abbildung 11) schließt.
2. Vergewissern, dass der korrekte Stellantrieb ordnungsgemäß in das Werkzeug eingesetzt ist. Die Arme des Stellantriebs zusammendrücken, um die Stellantriebspitzen zu öffnen. Die Stellantriebspitzen an den Ringtaschen ausrichten. Die Stellantriebsarme freigeben und die Stellantriebspitzen vollständig in die Ringtaschen (Abbildung 12) einrasten lassen. Bei falscher Ausrichtung der Stellantriebspitze an der Ringtasche kann der Ring oder der Stellantrieb beim Pressen beschädigt werden. Werkzeug und Stellantrieb nicht am Pressring aufhängen. Das Werkzeug könnte plötzlich herunterfallen und schwere Verletzungen, möglicherweise mit Todesfolge, verursachen.



Abbildung 11 – Anbringen des Pressrings am Fitting



Abbildung 12 – Ansetzen des Stellantriebs am Pressring

3. Vergewissern Sie sich, dass der Ring korrekt und gerade am Fitting platziert ist. Halten Sie Finger und Hände von Stellantrieb und Ring fern, um Quetschverletzungen im Aufsatz oder zwischen Aufsatz und Umgebung zu vermeiden.

**Normaler Modus:** Drücken Sie den Betriebsschalter (Abbildungen 1 und 2). Sobald der Werkzeugzyklus beginnt und die Rollen die Backenarme berühren, verriegelt sich das Werkzeug und schließt den Zyklus automatisch ab. Durch Loslassen des Schalters wird das Werkzeug nicht gestoppt, wenn es einmal verriegelt ist. Dies gewährleistet eine einheitliche, wiederholbare Integrität der Pressverbindung.

**Kontrollmodus:** Drücken Sie den Betriebsschalter (Abbildungen 1 und 2). Die Backen greifen in das Fitting ein, aber die Pressverbindung wird nicht hergestellt. Nehmen Sie die erforderlichen Einstellungen vor. Drücken Sie den Betriebsschalter erneut, das Werkzeug rastet ein und schließt den Zyklus automatisch ab. Durch Loslassen des Schalters wird das Werkzeug nicht gestoppt, wenn es einmal verriegelt ist. Dies gewährleistet eine einheitliche, wiederholbare Integrität der Pressverbindung.

4. Wenn das Werkzeug entfernt werden muss, bevor eine Pressverbindung fertiggestellt ist, drücken Sie die Drucklösetaste (Abbildungen 1 und 2).

**HINWEIS** Wenn die Lösetaste gedrückt wird, ist die der Pressvorgang NICHT vollständig und die Verbindung muss erneut gepresst werden, um Fertigstellung zu gewährleisten. Wenn im Betrieb eine Fehlfunktion des Werkzeugs auftritt, wenden Sie dieses Verfahren an.

5. Lassen Sie den Betriebsschalter los.
6. Die Arme des Stellantriebs zusammendrücken, um den Stellantrieb zu öffnen. Stellantrieb vom Fitting entfernen.
7. Ring vom Fitting entfernen. Meiden Sie scharfe Kanten, die sich beim Pressvorgang am Fitting gebildet haben könnten.
8. Wenn der Vorgang abgeschlossen ist, drücken Sie einmal die EIN/AUS-Taste, um das Werkzeug abzuschalten. Entfernen Sie den Akku oder das Netzteil aus dem Werkzeug.



## Überprüfen der Pressverbindung

- Überprüfen Sie das gepresste Fitting auf:
  - Festen Sitz des Rohrs im Fitting.
  - Übermäßige Fehlansrichtung der Rohre. Eine geringfügige Fehlansrichtung an einer Pressverbindung gilt als normal.
  - Falsche Ausrichtung der Befestigung mit der Kontur des Fittings. Verzerrtes oder deformiertes Fitting.
  - Weitere Probleme durch den Fitting-Hersteller. Dazu könnte die Entfernung eines Steuerrings oder Schildes gehören (das verwendet wird, um anzuzeigen, dass die Verbindung noch nicht gepresst wurde).

Wenn Probleme festgestellt werden, Fitting entfernen und eine neue Pressverbindung installieren.

- Testen Sie die Pressverbindung entsprechend den Anweisungen des Verbindungsherstellers, normalen Praktiken und geltenden Normen.

## Bluetooth-Funktionen (drahtlose Datenübertragung)

Die RIDGID® RP 350 und RP 351 Presswerkzeuge sind mit drahtloser Bluetooth®-Technologie versehen, die die drahtlose Datenübertragung an entsprechend ausgestattete Smartphones oder Tablets („Geräte“) mit den Betriebssystemen iOS oder Android erlaubt.

- Laden Sie die entsprechende RIDGID® Link-App auf Ihr Gerät von RIDGID.com/apps oder im Google Play Store oder Apple App Store.
- Wenn das Werkzeug eingeschaltet ist, kann ein mit Bluetooth-Technologie ausgestattetes Gerät das Presswerkzeug finden und sich mit ihm koppeln. Wählen Sie in den Bluetooth-Einstellungen Ihres Geräts das gewünschte RIDGID-Werkzeug aus. Spezifische Informationen zur Verbindung über die drahtlose Bluetooth-Technologie finden Sie in der Anleitung Ihres Geräts. Sobald die Verbindung hergestellt ist, leuchten die Statusleuchten des Werkzeugs grün, blau, blau und blau auf.

Nach der ersten Kopplung stellen die meisten Geräte automatisch eine Verbindung zu den Werkzeugen her, wenn die drahtlose Bluetooth-Technologie aktiv und in Reichweite ist und wenn die Geräteeinstellungen entsprechend konfiguriert sind. Presswerkzeuge sollten weniger als 33 ft. (10 m) vom zu erfassenden Gerät entfernt sein. Jedes Hindernis zwischen Werkzeug und Gerät kann die Reichweite verringern.

- Befolgen Sie die Anweisungen der App für die ordnungsgemäße Verwendung. Die Betriebsart kann über die App geändert werden. Die App ermöglicht auch die Überwachung von Werkzeugzyklen.
- Die drahtlose Datenübertragung wird mit dem Presswerkzeug ausgeschaltet. Schalten Sie das drahtlose Bluetooth-Gerät AUS, um einer Entladung der Batterie des Geräts vorzubeugen.

## Betrieb bei kalter Witterung

Wenn die Temperatur sinkt, wird die Hydraulikflüssigkeit dicker und die Akkuleistung nimmt ab. Um das Risiko einer Fehlfunktion zu reduzieren, funktionieren RP 350 und RP 351 nicht außerhalb des Spezifikationstemperaturbereichs, wie durch die Werkzeugstatusleuchten angegeben (Abbildung 5).

Wenn die Umgebungstemperaturen außerhalb des Spezifikationstemperaturbereichs liegen, bewahren Sie Werkzeug und Akkus bis zur Benutzung in einem temperierten Bereich auf.

## Aufbewahrung

Entfernen Sie den Akku oder das Netzteil aus dem Presswerkzeug. Bewahren Sie Presswerkzeug und Akku im Koffer auf. Vermeiden Sie die Lagerung bei extremer Hitze oder Kälte. Das Werkzeug lässt sich nicht einschalten, wenn sich das Werkzeug außerhalb des Spezifikationsbereichs befindet. Dies wird durch die Statusleuchten am Werkzeug angezeigt. (Siehe Abbildung 5)

**⚠️ WARNUNG** Das Werkzeug an einem trockenen, sicheren, verschlossenen Ort lagern, der für Kinder und Personen, die mit dem Presswerkzeug nicht vertraut sind, nicht zugänglich ist. Das Werkzeug ist gefährlich, wenn es von unerfahrenen Personen benutzt wird.

## Wartungsanweisungen

**⚠️ WARNUNG**  
**Vergewissern Sie sich, dass das Werkzeug ausgeschaltet und der Akku oder das Netzteil aus dem Werkzeug entfernt ist, bevor Sie Wartungsarbeiten oder Einstellungen vornehmen.**

## Reinigung und Schmierung

- Wischen Sie das Werkzeug außen täglich mit einem sauberen trockenen Tuch ab.
- Überprüfen Sie den Aufsatzbefestigungsstift und schmieren Sie den Stift bei Bedarf mit einem Silikon schmierungsmittel.
- Prüfen Sie die Rückholfedern in den Aufsätzen bei jedem Einsatz. Aufsätze sollten sich frei mit nur mäßigem Fingerdruck öffnen und schließen lassen.

## Wartung und Reparatur

**⚠️ WARNUNG**  
**Die Betriebssicherheit des Werkzeugs kann durch unsachgemäße Wartung oder Reparatur beeinträchtigt werden.**

Wartung und Reparatur der Presswerkzeuge RP 350 und RP 351 müssen von einem unabhängigen RIDGID Servicecenter für Presswerkzeuge durchgeführt werden.

Informationen über die nächstgelegene unabhängige RIDGID Vertragswerkstatt oder Antworten auf Service- und Reparaturfragen finden Sie im Abschnitt *Kontaktinformationen* dieses Handbuchs.

## Fehlerbehebung

SYMPTOM	MÖGLICHE URSACHEN	LÖSUNG
<b>Werkzeug lässt sich nicht einschalten, wenn die EIN/AUS-Taste gedrückt wird.</b>	Der Akku ist komplett entladen oder defekt.	Voll aufgeladenen Akku einsetzen/Akku laden.
	Akku nicht korrekt in den Werkzeuggriff eingesetzt	Prüfen, ob der Akku richtig eingesetzt ist.
	Netzteil nicht korrekt in das Werkzeug eingesetzt.	Netzteil korrekt in das Werkzeug eingesetzt.
<b>Aufsatz ist am Fitting blockiert.</b>	Pressverbindung wurde nicht erfolgreich abgeschlossen.	Drücken Sie den Druckentlastungsknopf, um die Backen vom Fitting zu entfernen. Das Fitting inspizieren und nachdrücken.
<b>Die gepressten Verbindungen sind nicht vollständig.</b>	Falsche Backen für Rohrdurchmesser oder Material verwendet.	Korrekten Aufsatz verwenden.
	Das Werkzeug war nicht gerade am Rohr angesetzt.	Die Pressverbindung mit neuem Fitting und neuem Rohr erneut herstellen. Achten Sie darauf, dass das Werkzeug am Rohr gerade angesetzt wird.
	Die Presskontur des Aufsatzes wurde nicht an der Kontur des Fittings ausgerichtet.	Wiederholen der Verbindung mit neuem Rohr und neuem Fitting. Stellen Sie sicher, dass die Presskontur des Aufsatzes auf die Kontur des Fittings ausgerichtet ist.
	Das Werkzeug muss repariert werden.	Maschine warten lassen.
<b>Öl läuft aus dem Werkzeug aus.</b>	Dichtung oder mechanische Probleme.	
<b>Motor läuft, aber Werkzeug schließt den Zyklus nicht ab.</b>	Ölstand zu niedrig.	Maschine warten lassen.
<b>Werkzeug stoppt während des Betriebs.</b>	Ölstand zu niedrig.	

Siehe Abbildung 5 – Statusleuchten des Werkzeugs

## Optionale Ausrüstung

### **⚠️ WARNUNG**

Um Verletzungsgefahr zu vermeiden, ist nur die speziell für die Presswerkzeuge RP 350 und RP 351 entwickelte und empfohlene Ausrüstung, die nachstehend aufgeführt ist, zu verwenden.

#### Akku und Adapter-Packs

Best.-Nr.	Beschreibung
56513	RB-1825 18V 2,5 Ah Lithium-Ionen-Akku
56518	RB-1850 18V 5,0 Ah Lithium-Ionen-Akku
44468	120 V Wechselstrom-Netzteil - Nordamerika
43338	220 V Wechselstrom-Netzteil - Europa
44823	120 V Wechselstrom-Netzteil - China

#### Ladegeräte und Kabel

Best.-Nr.		Region	Steckertyp
64383	Ladegerät RBC-30	Nordamerika	A
56523	Ladegerät RBC-30	Europa	C
64388	Ladegerät RBC-30	China	A
64393	Ladegerät RBC-30	Australien	I
64378	Ladegerät RBC-30	Japan	A
64398	Ladegerät RBC-30	Großbritannien	G
64173	RBC-30 Ladegerätekabel	Nordamerika	A
64183	RBC-30 Ladegerätekabel	Europa	C

Eine vollständige Liste der für diese Werkzeuge verfügbaren RIDGID-Ausrüstung finden Sie im Ridge Tool Katalog online unter [RIDGID.com](http://RIDGID.com) oder in den *Kontaktinformationen*.


## Entsorgung

Teile dieses Gerätes enthalten wertvolle Materialien und können recycelt werden. Hierfür gibt es auf Recycling spezialisierte Betriebe, die u. U. auch örtlich ansässig sind. Entsorgen Sie die Teile entsprechend den örtlich geltenden Bestimmungen. Weitere Informationen erhalten Sie bei der örtlichen Abfallwirtschaftsbehörde.



**Für EG-Länder:** Werfen Sie Elektrogeräte nicht in den Hausmüll!

Gemäß der Europäischen Richtlinie 2012/-19/EG über Elektro- und Elektronik-Altgeräte und ihrer Umsetzung in nationales Recht müssen nicht

 mehr gebrauchsfähige Elektrogeräte getrennt gesammelt und einer umweltgerechten Wiederverwertung zugeführt werden.

## Elektromagnetische Verträglichkeit (EMV)

Der Begriff elektromagnetische Verträglichkeit bezeichnet die Fähigkeit des Produkts, in einer Umgebung, in der elektromagnetische Strahlung und elektrostatische Entladungen auftreten, einwandfrei zu funktionieren, ohne elektromagnetische Störungen anderer Geräte zu verursachen.

**HINWEIS** Diese Werkzeuge entsprechen allen geltenden EMV-Normen. Die Möglichkeit, dass sie Störungen anderer Geräte verursachen, kann jedoch nicht ausgeschlossen werden. Alle getesteten Standards im Zusammenhang mit der elektromagnetischen Verträglichkeit werden in den technischen Unterlagen des Werkzeugs aufgeführt.

## FCC/ICES-Erklärung

Dieses Gerät entspricht Teil 15 der FCC-Vorschriften. Der Betrieb unterliegt den folgenden zwei Bedingungen:

1. Dieses Gerät darf keine schädliche Störstrahlung verursachen.
2. Dieses Gerät muss Störsignale aufnehmen, auch solche, die zu Betriebsstörungen führen können.

Modifikationen, die von diesem Unternehmen nicht ausdrücklich gestattet wurden, könnten die Befugnis des Benutzers, das Werkzeug zu betreiben, aufheben.

Dieses Gerät wurde getestet und erfüllt die Grenzwerte für digitale Geräte, Klasse A, nach Teil 15 der FCC-Vorschriften. Diese Grenzwerte sollen einen angemessenen Schutz gegen funktechnische Störungen bieten, wenn das Gerät in einer kommerziellen Umgebung betrieben wird. Dieses Gerät erzeugt und nutzt Funkstrahlung und kann diese abstrahlen; es kann daher bei unsachgemäßer Montage (unter Nichtbefolgung der Bedienungsanleitung) und Nutzung Funkverbindungen stören. Der Betrieb dieses Geräts in einer Wohngegend verursacht wahrscheinlich funktechnische Störungen. In diesem Fall muss der Benutzer die Störungen auf eigene Kosten beheben.

Dieses Produkt entspricht den kanadischen ICES-003 Klasse-A-Spezifikationen. *Siehe Deklarationsaufkleber auf dem Werkzeug.*

# RP 350/RP 351

## Persgereedschappen



### **⚠ WAARSCHUWING!**

Lees deze handleiding aandachtig voordat u dit apparaat gebruikt. Het niet begrijpen en naleven van de volledige inhoud van deze handleiding kan resulteren in elektrische schokken, brand en/of ernstig letsel.

#### **RP 350/RP 351 Persgereedschappen**

Noteer het serienummer hieronder en bewaar het serienummer van het product, dat op het identificatieplaatje is aangegeven.

Serie-  
nr.

--



## Inhoudsopgave

<b>Registratieformulier voor serienummer van machine</b> .....	63
<b>Veiligheidssymbolen/symbolen</b> .....	65
<b>Algemene veiligheids waarschuwingen i.v.m. elektrisch gereedschaps</b> .....	65
Veiligheid op de werkplek.....	65
Elektrische veiligheid .....	66
Persoonlijke veiligheid .....	66
Gebruik en behandeling van elektrisch gereedschap .....	66
Gebruik en behandeling van elektrisch gereedschap op batterijen.....	67
Onderhoud.....	67
<b>Specifieke veiligheidsinformatie</b> .....	67
Veilig werken met persgereedschap.....	67
<b>Contactgegevens RIDGID®</b> .....	68
<b>Beschrijving</b> .....	68
<b>Specificaties</b> .....	71
Standaarduitrusting .....	72
<b>Inspectie vóór gebruik</b> .....	72
<b>Instelling en bediening</b> .....	73
Hulpstukken verwijderen/monteren .....	73
Vorbereiden van de verbinding.....	73
Een fitting persen met typische schaarbekken .....	74
Een fitting persen met een typische actuator en persring.....	75
De persverbinding controleren .....	75
Bluetooth-functies (Draadloze overdracht van gegevens) .....	76
Gebruik in koude omstandigheden .....	76
<b>Opslag</b> .....	76
<b>Onderhoudsinstructies</b> .....	76
Reiniging en smering .....	76
<b>Onderhoud en reparatie</b> .....	76
<b>Problemen oplossen</b> .....	77
<b>Optionele apparatuur</b> .....	78
<b>Afvalverwijdering</b> .....	78
<b>Elektromagnetische compatibiliteit (EMC)</b> .....	79
<b>FCC/ICES-verklaring</b> .....	79
<b>EG-Verklaring van overeenstemming</b> .....	Binnenkant van de achteromslag
<b>Levenslange garantie</b> .....	Achterflap

\*Vertaling van de oorspronkelijke gebruiksaanwijzing

## Veiligheidssymbolen/symbolen

In deze handleiding en op het product worden veiligheidssymbolen, pictogrammen en bepaalde woorden gebruikt om de aandacht te vestigen op belangrijke veiligheidsinformatie. Dit deel van de tekst wordt gebruikt om het begrip van deze signaalwoorden en symbolen te verbeteren.



Dit is het veiligheidswaarschuwingssymbool. Het wordt gebruikt om uw aandacht te vestigen op een potentieel risico op lichamelijk letsel. Volg alle veiligheidsinstructies achter dit symbool, om mogelijke letsels of dodelijke ongevallen te voorkomen.



**GEVAAR** GEVAAR verwijst naar een gevaarlijke situatie die, als ze niet wordt vermeden, zal resulteren in een ernstig of dodelijk letsel.



**WAARSCHUWING** WAARSCHUWING verwijst naar een gevaarlijke situatie die, als ze niet wordt vermeden, kan resulteren in een ernstig of dodelijk letsel.



**VOORZICHTIG** VOORZICHTIG verwijst naar een gevaarlijke situatie die, als ze niet wordt vermeden, kan resulteren in een licht of matig letsel.



**LET OP** LET OP verwijst naar informatie over de bescherming van eigendommen.



Dit pictogram geeft aan dat u de handleiding aandachtig moet lezen voordat u het gereedschap gebruikt. De handleiding bevat belangrijke informatie over de veilige en correcte bediening van het gereedschap.



Dit symbool geeft aan dat u altijd een veiligheidsbril met zijkapjes moet dragen als u dit gereedschap gebruikt of bedient, om het risico op oogletsels te verminderen.



Dit symbool waarschuwt voor het risico van verbrijzeling van handen, vingers of andere lichaamsdelen.



Dit symbool waarschuwt voor het gevaar van een elektrische schok.



Dit symbool geeft aan dat het product allen voor gebruik binnenshuis bestemd is.



Dit symbool geeft aan dat het gaat om klasse II-gereedschap.



Dit symbool geeft aan dat dit elektrische apparaat is die niet met het huishoudelijk afval mag worden weggegooid. *Zie het gedeelte "Afvalverwijdering".*



Dit symbool geeft aan dat dit elektrische apparaat is die voldoet aan de eisen van de betreffende EG-richtlijnen.



Dit symbool geeft het productiejaar van het product aan.

## Algemene veiligheidswaarschuwingen i.v.m. elektrisch gereedschap\*

### ⚠ WAARSCHUWING

**Lees alle veiligheidswaarschuwingen, instructies, illustraties en specificaties die bij dit elektrische gereedschap zijn geleverd. Het niet naleven van een van de onderstaande instructies kan leiden tot elektrische schokken, brand en/of ernstig lichamelijk letsel.**

### BEWAAR ALLE WAARSCHUWINGEN EN INSTRUCTIES, ZODAT U ZE OOK LATER NOG KUNT RAADPLEGEN!

De term 'elektrisch gereedschap' in de waarschuwingen heeft betrekking op uw op netvoeding werkend elektrisch gereedschap (met snoer) of uw op batterijen werkend (snoerloos) elektrisch gereedschap.

## Veiligheid op de werkplek

- **Zorg voor een schone en goed verlichte werkplek.** Op een rommelige of donkere werkplek doen zich gemakkelijker ongevallen voor.
- **Gebruik elektrisch gereedschap niet in een explosieve omgeving, bijvoorbeeld in de aanwezigheid van brandbare vloeistoffen, gassen of stof.** Elektrisch gereedschap geeft vonken af, die stof of dampen kunnen doen ontbranden.
- **Houd kinderen en omstanders op afstand terwijl u met elektrisch gereedschap werkt.** Als u wordt afgeleid tijdens het werk, kan dit tot gevolg hebben dat u de controle verliest.

\* De tekst die gebruikt is in het hoofdstuk "Algemene veiligheidswaarschuwingen i.v.m. elektrisch gereedschap" van deze handleiding, komt (zoals verplicht) woordelijk uit de geldende norm UL/CSA 62841-1. Dit hoofdstuk bevat algemene veiligheidsvoorschriften voor een groot aantal verschillende soorten elektrisch gereedschap. Niet ieder voorschrift geldt voor ieder stuk gereedschap, en sommige zijn niet van toepassing op deze machine.

## Elektrische veiligheid

- **Stekkers van elektrisch gereedschap moeten passen in de beschikbare stopcontacten. Breng nooit veranderingen aan de stekker aan. Gebruik nooit verloopstekkers in combinatie met (geaard) elektrisch gereedschap.** Originele stekkers en passende stopcontacten verminderen het risico van elektrische schokken.
- **Voorkom lichamelijk contact met geaarde oppervlakken, zoals leidingen, radiatoren, fornuizen en koelkasten.** Het risico op elektrische schokken is groter als uw lichaam geaard is.
- **Stel elektrisch gereedschap niet bloot aan regen of vochtige omstandigheden.** Als er water in het elektrisch gereedschap komt, neemt het risico op elektrische schokken toe.
- **Gebruik het snoer alleen waarvoor het bedoeld is. Gebruik het snoer nooit om elektrisch gereedschap te dragen, te verslepen of om er de stekker mee uit het stopcontact te trekken. Houd het snoer uit de buurt van warmtebronnen, olie, scherpe randen en bewegende onderdelen.** Beschadigde, verstrikte of in de war geraakte snoeren verhogen de kans op elektrische schokken.
- **Wanneer u elektrisch gereedschap buiten gebruikt, dient u een verlengsnoer te gebruiken dat geschikt is voor buiten.** Het gebruik van een snoer dat geschikt is voor buiten, verkleint het risico van een elektrische schok.
- **Als er geen andere mogelijkheid is dan het elektrisch gereedschap op een vochtige plek te gebruiken, moet het elektrische circuit beveiligd zijn met een aardlekschakelaar.** Door het gebruik van een aardlekschakelaar wordt het risico van elektrische schokken beperkt.

## Persoonlijke veiligheid

- **Blijf alert, let voortdurend op wat u doet en gebruik uw gezond verstand wanneer u met elektrisch gereedschap aan het werk bent. Gebruik geen elektrisch gereedschap wanneer u moe bent of onder invloed van drugs, alcohol of geneesmiddelen.** Als u ook maar even niet oplet tijdens het gebruik van elektrisch gereedschap kan dit leiden tot ernstig lichamelijk letsel.
- **Gebruik persoonlijke beschermingsmiddelen. Draag altijd een veiligheidsbril.** Beschermingsmiddelen zoals een stofmasker, veiligheidsschoenen met antislipzolen, een veiligheidshelm en gehoorbeschermingsmiddelen die aan de werkomstandigheden zijn aangepast, verminderen het risico op persoonlijk letsel.

- **Voorkom onopzettelijk starten. Zorg ervoor dat de schakelaar in de UIT-stand staat voordat het gereedschap op het lichtnet en/of accupack wordt aangesloten, wordt opgetild of vervoerd.** Het dragen van elektrisch gereedschap met uw vinger aan de schakelaar of elektrisch gereedschap van stroom voorzien terwijl de schakelaar in de AAN-stand staat, is vragen om ongelukken.
- **Verwijder eventuele instelsleutels of ander afstelgereedschap voordat u het elektrische gereedschap aanzet.** Een sleutel of ander gereedschap dat nog aan een draaiend onderdeel van elektrisch gereedschap vastzit, kan persoonlijk letsel veroorzaken.
- **Tracht nooit te ver te reiken. Zorg dat u altijd stevig staat en dat u uw evenwicht niet verliest.** Zo hebt u meer controle over het elektrisch gereedschap als er zich een onverwachte situatie voordoet.
- **Draag geschikte kleding. Draag geen loszittende kledingstukken of sieraden. Houd uw haar, kleding en handschoenen uit de buurt van bewegende delen.** Losse kledingstukken, sieraden of lang haar kunnen worden gegrepen door bewegende onderdelen.
- **Wanneer apparaten voorzien zijn van een aansluiting voor voorzieningen voor stofafzuigingen-opvang, zorg dan dat die zijn aangesloten en gebruik ze op de voorgeschreven wijze.** Het gebruik van een stofopvangvoorziening kan risico's in verband met stof verkleinen.
- **Voorkom dat u door vertrouwdheid door veelvuldig gebruik van gereedschappen gemakzuchtig wordt en de veiligheidsprincipes van het gereedschap negeert.** Een onoplettende handeling kan in een fractie van een seconde ernstig letsel veroorzaken.

## Gebruik en behandeling van elektrisch gereedschap

- **Forceer het elektrisch gereedschap nooit. Gebruik het geschikte gereedschap voor uw werkzaamheden.** Het juiste elektrische gereedschap werkt beter en veiliger als u het gebruikt met de snelheid en het ritme waarvoor het is ontworpen.
- **Gebruik het elektrische gereedschap niet als u het niet in en uit kunt schakelen met de schakelaar.** Elk elektrisch gereedschap dat niet in- en uitgeschakeld kan worden met de schakelaar is gevaarlijk en moet worden gerepareerd.
- **Trek de stekker uit het stopcontact en/of verwijder de batterijpack van het elektrische gereedschap voordat u afstellingen verricht, accessoires verwisselt of het elektrische gereedschap opbergt.** Deze preventieve veiligheidsmaatregelen verkleinen het risico op het onopzettelijk starten van de elektrische machine.

- **Bewaar ongebruikt elektrisch gereedschap buiten het bereik van kinderen en laat personen die het elektrische gereedschap of deze instructies niet kennen er niet mee werken.** Elektrisch gereedschap is gevaarlijk in de handen van ongevoefde gebruikers.
- **Onderhoud elektrisch gereedschap goed. Controleer op verkeerd aangesloten en vastgelopen bewegende delen, defecte onderdelen en andere omstandigheden die gevolgen kunnen hebben voor de werking van het elektrisch gereedschap. Als het elektrische gereedschap beschadigd is, moet u het laten repareren alvorens u het opnieuw gebruikt.** Heel wat ongelukken worden veroorzaakt door slecht onderhouden elektrisch gereedschap.
- **Houd snijwerktuigen scherp en schoon.** Goed onderhouden snijwerktuigen met scherpe snijranden zullen minder gemakkelijk blokkeren en zijn gemakkelijker te bedienen.
- **Gebruik het elektrische gereedschap, accessoires en gereedschapsbits overeenkomstig deze instructies, rekening houdend met de werkomstandigheden en de te verrichten werkzaamheden.** Het gebruik van elektrisch gereedschap voor andere doeleinden dan het beoogde gebruik kan gevaarlijke situaties opleveren.
- **Houd handgrepen en gripoppervlakken droog, schoon en vrij van olie en vet.** Door gladde handgrepen en gripoppervlakken kan het gereedschap in een onverwachte situatie niet veilig worden gebruikt of bediend.

### Gebruik en behandeling van elektrisch gereedschap op batterijen

- **Laad het gereedschap uitsluitend bij met de lader die door de fabrikant is opgegeven.** Een lader die geschikt is voor een bepaalde batterij kan wellicht brand veroorzaken bij gebruik met een andere batterij.
- **Gebruik elektrisch gereedschap alleen met de daarvoor specifiek bestemde batterijpacks.** Gebruik van andere batterijen kan mogelijk letsel of brand veroorzaken.
- **Wanneer een batterijpack niet in gebruik is, moet u het uit de buurt houden van andere metalen voorwerpen, zoals paperclips, munten, sleutels, spijkers, schroeven en andere kleine metalen voorwerpen, die een elektrische brug tussen de twee batterijklemmen zouden kunnen vormen.** Het kortsluiten van de batterijaansluitingen kan brandwonden of brand veroorzaken.
- **Bij onjuist gebruik kan er vloeistof uit de batterij spuiten. Vermijd contact met de vloeistof. Komt de huid per ongeluk in contact met de vloeistof, spoel dan met water. Wanneer vloeistof in de ogen komt, onmiddellijk medische hulp raadplegen.** Vloeistof die uit de batterij spuit, kan irritatie of brandwonden veroorzaken.

- **Gebruik de batterijpack of het gereedschap niet wanneer deze beschadigd of aangepast is.** Beschadigde of aangepaste batterijen kunnen onvoorspelbaar gedrag vertonen wat kan resulteren in brand, explosie of risico van letsel.
- **Stel batterijpacks of gereedschappen niet bloot aan vuur of te hoge temperaturen.** Bij blootstelling aan vuur of aan temperaturen boven 265°F (130°C), kan een explosie het gevolg zijn.
- **Volg alle aanwijzingen voor het opladen en laad het batterijpack of het gereedschap niet op buiten het in de instructies gespecificeerde temperatuurbereik** Op een onjuiste manier opladen of opladen buiten het gespecificeerde temperatuurbereik kan schade toebrengen aan de batterij en leiden tot een verhoogd brandrisico.

### Onderhoud

- **Laat uw elektrisch gereedschap onderhouden en repareren door een bevoegde hersteldienst, die uitsluitend identieke vervangende onderdelen gebruikt.** Zo wordt de veiligheid van het elektrisch gereedschap gewaarborgd.

## Specifieke veiligheidsinformatie

### ⚠ WAARSCHUWING

**Dit hoofdstuk bevat belangrijke veiligheidsinformatie die specifiek betrekking heeft op dit gereedschap.**

**Lees deze voorzorgsmaatregelen aandachtig door voordat u de persgereedschappen gebruikt, om het risico op elektrische schokken of ernstig letsel te verminderen.**

### **BEWAAR ALLE WAARSCHUWINGEN EN INSTRUCTIES, ZODAT U ZE OOK LATER NOG KUNT RAADPLEGEN!**

De gereedschapsdraagkoffer bevat een compartiment voor het opbergen van deze handleiding bij het werktuig, zodat de gebruiker ze altijd bij de hand heeft.

### Veilig werken met persgereedschap

- **Houd uw vingers en handen uit de buurt van de pershulpstukken tijdens de perscyclus.** Uw vingers of handen kunnen worden verbrijzeld, gebroken of geamputeerd wanneer ze tussen het hulpstuk worden gekneld of tussen deze onderdelen en een ander voorwerp.
- **Probeer nooit beschadigde pershulpstukken (bekken, persring, actuator) te repareren. Gooi het volledige, beschadigde hulpstuk weg.** Een hulpstuk dat op enigerlei wijze gelast, geschuurd, doorboord of aangepast is, kan tijdens het persen breken en daardoor ernstig letsel

veroorzaken. Wanneer het complete pershulpstuk niet worden vervangen, kan dat resulteren in een componentdefect en ernstig letsel.

- **Tijdens het gebruik van het product worden grote krachten opgewekt, die onderdelen kunnen breken of wegslingeren, en daarbij letsel kunnen veroorzaken.** Houd afstand en draag een geschikte beschermingsuitrusting – inclusief oogbescherming.
  - **Gebruik uitsluitend RIDGID®-persgereedschappen met geschikte RIDGID- of door RIDGID goedgekeurde pershulpstukken (bekken, persringen, actuatoren enz.).** Andere toepassingen of aanpassingen aan de persgereedschappen voor ander gebruik kan het persgereedschap beschadigen, de hulpstukken beschadigen en/of persoonlijk letsel veroorzaken.
  - **Gebruik de correcte gereedschap-, hulpstuk- en fittingcombinaties.** Onjuiste combinaties kunnen resulteren in een onvolledige verbinding, wat de kans op lekkages, schade aan de apparatuur en letsel kan vergroten.
  - **Voordat u aan het werk gaat met een RIDGID®-persgereedschap, moet u de volgende documentatie lezen en begrijpen:**
    - deze handleiding
    - de instructies voor het gebruik van de hulpstukken
    - de handleiding van batterij/lader
    - de installatie-instructies van de fabrikant van de fittingen
    - de instructies voor alle overige uitrusting of materiaal die bij dit gereedschap wordt gebruikt.
- Als u zich niet houdt aan alle instructies en waarschuwingen, kan dit leiden tot materiële schade en/of ernstig lichamelijk letsel.

## Contactgegevens RIDGID®

Als u nog vragen hebt over dit RIDGID®-product:

- Neem contact op met uw plaatselijke RIDGID-dealer.
- Kijk op RIDGID.com om uw plaatselijke RIDGID-contactpunt te vinden.
- Neem contact op met het Ridge Tool Technical Service Department via [rttechservices@emerson.com](mailto:rttechservices@emerson.com). In de VS en Canada kunt u ook bellen naar het nummer (800) 519-3456.

## Beschrijving

De RIDGID® RP 350 en RP 351 persgereedschappen zijn ontwikkeld om – in combinatie met de geschikte hulpstukken – fittingen mechanisch op leidingen vast te persen en op die manier een waterdichte en permanente verbinding tot stand te brengen, bijvoorbeeld voor sanitaire, verwarmings-, airco-koelingsinstallaties. Er zijn ook hulpstukken leverbaar voor andere toepassingen.

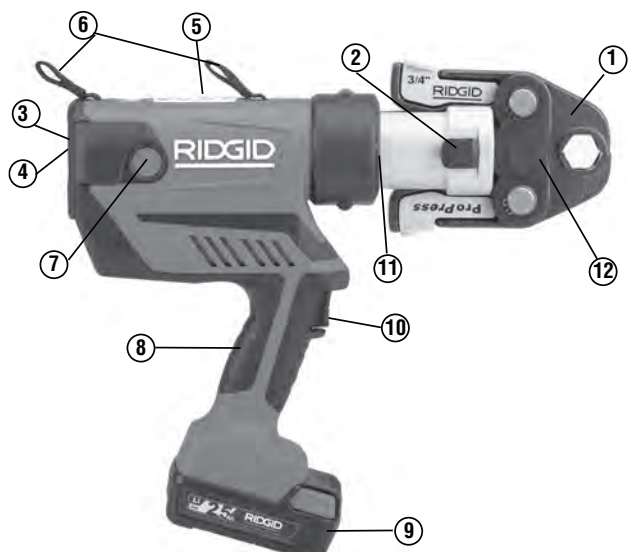
Wanneer de activeringsschakelaar op het persgereedschap is ingedrukt, drijft een interne elektrische motor een hydraulische pomp aan die vloeistof in de cilinder van het gereedschap pompt, de plunjer naar voren beweegt en kracht uitoefent op het hulpstuk, waardoor de fitting wordt geperst. De perscyclus duurt ongeveer 4 seconden. Zodra de cyclus begint met het vervormen van een fitting, wordt deze handeling automatisch tot de voltooiing uitgevoerd, ook als de activeringsschakelaar wordt losgelaten.

Het gereedschap omvat een tweede bedieningsmodus ("bedieningsmodus") die kan worden ingeschakeld met behulp van de RIDGID Link-app. Met de bedieningsmodus kan de fitting voorafgaand aan het persen worden ingeklemd, zodat de correcte uitlijning van hulpstuk, fitting en buis kan worden gecontroleerd.

De statusleds van het gereedschap geven de status van het gereedschap, de batterijstatus, noodzakelijk onderhoud of een verkeerde temperatuur aan. Een werklicht wordt ingeschakeld wanneer de activeringsschakelaar wordt ingedrukt om het werkgebied te verlichten. De kop kan 360° worden gedraaid voor betere toegang in beperkte ruimten.

De werktuigen zijn uitgerust met stoffen lussen die kunnen worden gebruikt voor geschikte accessoires, zoals schouderbanden of ophangstropen.





**Figuur 1 – RIDGID RP 350 persgereedschap met bekken uit de Standard-serie**

De persgereedschappen zijn uitgerust met Bluetooth®-technologie, die het mogelijk maakt een draadloze verbinding tot stand te brengen met smartphones en tablets. Zie het gedeelte "Bluetooth-functies (draadloze gegevensoverdracht)" voor meer informatie.

\* Het Bluetooth®-woordlogo en de logo's zijn geregistreerde handelsmerken van Bluetooth SIG, Inc. en elk gebruik van deze merken door Emerson Electric Co. is gelicentieerd. Andere handelsmerken en handelsnamen zijn eigendom van de betreffende eigenaren.



**Figuur 2 – RIDGID RP 351 persgereedschap met bekken uit de Standard-serie**

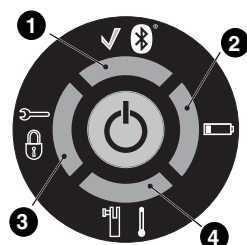
#	Beschrijving
1	Set schaarbekken
2	Montagepen voor hulpstukken
3	Statusleds van het gereedschap
4	Aan-/uitschakelaar
5	Waarschuwingstabel (RP 351 – Onderkant)
6	Stoffen lus
7	Drukontlastknop (RP 351 aan de andere kant)
8	Handgreep
9	Batterij
10	Activeringsschakelaar
11	Led-werkverlichting
12	Zijplaat van de persbekken



**Figuur 3 - Machineserienummer - omcirkelde cijfers geven het jaar en de maand van productie aan. (YY = jaar, MM = maand).**

Bedieningselement	Markering	Beschrijving
<b>Aan-/uitschakelaar</b>		Hoofdschakelaar gereedschap. (I = AAN, O = UIT). AAN: knop indrukken tot het lampje gaat branden. <i>Zie Figuur 5 – Statusleds van het gereedschap.</i> UIT: houd de knop ingedrukt tot het lampje uitgaat. Het werktuig schakelt zichzelf automatisch uit als het gedurende tien (10) minuten niet wordt gebruikt.
<b>Activeringsschakelaar</b>	—	<b>Werklicht inschakelen:</b> activeringsschakelaar iets indrukken. <b>Normale modus:</b> druk de activeringsschakelaar in om de perscyclus te starten, loslaten wanneer het gereedschap aangrijpt. Normale modus is de fabrieksinstelling. <b>Controlemodus:</b> activeringsschakelaar indrukken om hulpstuk op werkstuk te laten aangrijpen. Voer zo nodig aanpassingen uit. Druk opnieuw op de activeringsschakelaar om de perscyclus te starten, loslaten wanneer gereedschap aangrijpt. Zodra het werktuig zich heeft vastgezet, kan de cyclus niet meer worden gestopt door de schakelaar los te laten. Hierdoor wordt de consistente en herhaalbare integriteit van de persverbinding verzekerd. Modus kan worden gewijzigd met de RIDGID Link-app, <i>zie gedeelte Bluetooth-functies.</i>
<b>Drukontlastknop</b>		Hiermee kan het gereedschap worden vrijgegeven zonder een voltooide persing. Wordt deze knop gebruikt, is de persverbinding niet voltooid en moet worden herhaald.
<b>Montagepen voor hulpstukken</b>	—	Houd hulpstuk op het gereedschap. Moet volledig ingestoken zijn om het gereedschap te laten werken. <i>Zie Figuur 6.</i>

**Figuur 4 – Overzicht bedieningselementen**



Nummer van het ledsegment (led brandt continu)				Beschrijving
1 ✓ Bluetooth	2 [Battery]	3 [Lock]	4 [Pin]	
—	—	—	—	Persgereedschap uit (UIT).
Groen	Groen	Groen	Groen	Aan-knop ingedrukt, licht 4 seconden op tijdens het starten, gereedschap in "Normale modus".
Blauw	Blauw	Blauw	Blauw	Aan-knop ingedrukt, licht 4 seconden op tijdens het starten, gereedschap in "Controlemodus" - zie het gedeelte <i>Bluetoothfuncties</i> om de modus te wijzigen.
Groen	—	—	—	Persgereedschap bevindt zich in de normale modus, stand-by, persgereedschap gereed voor gebruik.
Rood	Geel	Geel	Geel	Het gereedschap heeft slecht gewerkt. Het gereedschap zal niet werken. Verwijder en steek de batterij of de AC-adapter opnieuw in. Als de led nog steeds brandt, onderhoud aan het gereedschap laten uitvoeren.
Rood	—	—	—	Het gereedschap heeft slecht gewerkt. Het gereedschap zal niet werken. Verwijder en steek de batterij of de AC-adapter opnieuw in. Als de rode led nog steeds brandt, onderhoud aan het gereedschap laten uitvoeren.
Geel	—	Rood	Rood	Gereedschap en/of batterij buiten opgegeven temperatuurbereik. Het gereedschap zal niet werken. Breng het gereedschap en de batterij terug binnen het correcte temperatuurbereik.
Geel	—	—	Rood	De montagepen voor hulpstukken is niet volledig ingeschoven. Het gereedschap zal niet werken. Steek de pen volledig in. Als de leds nog steeds branden, onderhoud aan het gereedschap laten uitvoeren.
Geel	Rood	—	—	Batterij bijna leeg. Het gereedschap zal niet werken. Herlaad de batterij/Breng een opgeladen batterij aan in het gereedschap.
Groen	Blauw	Blauw	Blauw	Bluetooth-verbinding tot stand gebracht, stand-by, persgereedschap gereed voor gebruik - Voor meer informatie raadpleegt u het gedeelte <i>Bluetooth-functies</i> .
		Paars		Firmware-update is actief, gereedschap kan tijdens de update niet worden gebruikt.

Figuur 5 – Statusleds van het gereedschap

## Specificaties

	RP 350 persgereedschap met pistoolhandgreep	RP 351 recht persgereedschap
Hulpstukken .....	RIDGID Standard-serie	RIDGID Standard-serie
Slaglengthe .....	1.57" (40 mm)	1.57" (40 mm)
Motor		
Voltage.....	18V DC nominaal	18V DC nominaal
Stroomsterkte.....	23 A	23 A
Vermogen .....	480 watt	480 watt
Drukkracht.....	7,200 lbs. (32 kN)	7,200 lbs. (32 kN)
Koprotatie .....	360°	360°
Inschakelduur.....	3 persingen /min	3 persingen /min
Voeding .....	RIDGID RB-18XX-serie 18V Lithium-ion-batterijpack of RIDGID RPA 120/220 AC voedingsadapter (zie het gedeelte <i>Optionele uitrusting</i> )	
Bluetooth-bereik.....	33 ft (10 m)	33 ft. (10 m)
Toegestane vochtigheidsgraad.....	maximaal 80%	maximaal 80%

Bedrijfstemperatuurbereik.....	15 °F tot 122 °F (-10 °C tot 50 °C)	15 °F tot 122 °F (-10 °C tot 50 °C)
Opslagtemperatuur.....	32 °F tot 113 °F (0 °C tot 45 °C)	32 °F tot 113 °F (0 °C tot 45 °C)
Gewicht (zonder batterij/hulpstuk).....	7.83 lbs (3,55 kg)	7.83 lbs (3,55 kg)
Afmetingen.....	11.3" x 11.0" x 3.1"	15.7" x 4.65" x 3.1"
	287 mm x 279 mm x 77 mm	398 mm x 118 mm x 77 mm
Geluidsdruk (L <sub>PA</sub> )* .....	<74,5 dB(A), K=3 dB(A)	<74,5 dB(A), K=3 dB(A)
Trillingen* .....	<1,13 m/s <sup>2</sup> , K=1,5	<1,13 m/s <sup>2</sup> , K=1,5

\* Geluids- en trillingsmetingen worden uitgevoerd in overeenstemming met de gestandaardiseerde test zoals beschreven in de norm EN 62481-1.

- De gemeten trillingswaarden mogen worden gebruikt voor vergelijkingen met andere werktuigen en voor een voorafgaande evaluatie van de blootstelling.

- Geluids- en trillingsemissie kan variëren naargelang van de plaats waar u zich bevindt, en het specifieke gebruik dat u van dit gereedschap maakt.

- De dagelijkse blootstellingsniveaus voor geluid en trillingen moeten voor elke toepassing worden geëvalueerd en er moeten passende veiligheidsmaatregelen worden genomen wanneer dat nodig is. Bij de evaluatie van de blootstellingsniveaus moet ook rekening worden gehouden met de tijd dat het gereedschap uitgeschakeld en niet in gebruik is.

Dit kan het blootstellingsniveau over de totale werktijd aanzienlijk verminderen.

## Standaarduitrusting

Zie de RIDGID-catalogus voor meer informatie over de apparatuur die kan worden geleverd bij de verschillende gereedschappen.

LET OP! RIDGID-hulpstukken voor het persgereedschap worden aangeboden in twee "series".

- Standard-serie
- Compact-serie

Deze hulpstukseries kunnen niet onderling worden uitgewisseld. Hulpstukken uit de Standard-serie werken alleen met gereedschappen uit de Standard-serie (RP 350, RP 351, RP 342-XL, RP 340, RP 330, 320-E, CT-400). Hulpstukken uit de Compact-serie werken alleen met gereedschappen uit de Compact-serie (RP 240, RP 241, RP 200, RP 210, 100B).

**LET OP** Het kiezen van de juiste materialen en verbindingsmethoden is de verantwoordelijkheid van de systeemontwerper en/of installateur. Voor een installatie wordt uitgevoerd, moet de betreffende werkomgeving zorgvuldig worden beoordeeld, dat omvat tevens de chemische omgeving en de werktemperatuur. Raadpleeg de fabrikant van het persfittingsysteem voor informatie over de juiste keuze.

## Inspectie vóór gebruik

### ⚠ WAARSCHUWING



**U moet uw persgereedschap dagelijks vóór gebruik controleren en eventuele problemen verhelpen, om het risico van ernstig letsel**

**door elektrische schokken, verbrijzeling, falen van de hulpstukken of andere oorzaken te verkleinen en beschadiging van het gereedschap te voorkomen.**

1. Schakel het gereedschap uit en verwijder de batterij/AC-adapter van het gereedschap.

2. Reinig het gereedschap, met name handgrepen en bedieningsknoppen, en verwijder alle olie, smeer en vuil. Dat maakt de inspectie gemakkelijker en helpt voorkomen dat gereedschap of bedieningselementen uit uw handen kunnen schieten.
3. Inspecteer het persgereedschap op de volgende punten:
  - Correcte montage, goed onderhoud en volledigheid.
  - Eventuele defecte, versleten, ontbrekende, verkeerd uitgelijnde of klemmende onderdelen. Controleer of de stoffen lussen in goede toestand verkeren.
  - Soepele beweging van de bevestigingspen van het hulpstuk tussen de volledig geopende en volledig gesloten positie. Pen moet in elke positie vergrendelen. Controleer of de activeringsschakelaar soepel beweegt en niet aanloopt of klemt.
  - Aanwezigheid en leesbaarheid van het waarschuwinglabel (zie Figuur 6).
  - Enige andere toestand die een veilige en normale werking zou kunnen verhinderen.

Gebruik het persgereedschap niet tot problemen zijn verholpen of gerepareerd.



**Figuur 6 – Statusleds/waarschuwinglabel**

- Controleer en onderhoud de hulpstukken van het gereedschap volgens de bijbehorende instructies. Verwijder alle hulpstukken van het gereedschap. Ga na of de hulpstukken zich in een goede toestand bevinden en duidelijk gemarkeerd zijn voor de gebruikswijze.
- Inspecteer en onderhoud alle overige gebruikte uitrusting volgens de overeenkomstige instructies, om de correcte werking ervan te verzekeren.

## Instelling en bediening

### ⚠ WAARSCHUWING



**Houd uw vingers en handen uit de buurt van het pershulpstuk tijdens de perscyclus.**

**Uw vingers of handen kunnen worden verbrijzeld, gebroken of geamputeerd in het hulpstuk, het gereedschap, of tussen het gereedschap en het hulpstuk, het werkstuk en andere voorwerpen.**

**Tijdens het gebruik van het product worden grote krachten opgewekt, die onderdelen kunnen breken of wegslingeren, en daarbij letsel kunnen veroorzaken. Houd afstand en draag een geschikte beschermingsuitrusting – inclusief oogbescherming.**

**Gebruik de correcte combinaties van werktuig, hulpstuk en fitting. Onjuiste combinaties kunnen tot gevolg hebben dat de persverbinding niet compleet is, met als gevolg een verhoogd risico op lekken, schade aan de uitrusting en letsel.**

**Volg de instructies voor *instellen en bedienen* van het gereedschap om het letselrisico door verbrijzelen en andere oorzaken te verminderen en schade aan het gereedschap te voorkomen.**

- Controleer de geschiktheid van het werkgebied (zie *Algemene veiligheidswaarschuwingen i.v.m. elektrisch gereedschap*). Een werkplek moet overzichtelijk, vlak, stabiel en droog zijn. Gebruik het gereedschap nooit terwijl u in water staat.
- Controleer het uit te voeren werk en bepaal het correcte RIDGID-gereedschap en RIDGID-hulpstuk voor de toepassing aan de hand van de bijbehorende instructies. Gebruik van verkeerd toebehoren voor een toepassing kan leiden tot letsel, beschadiging van het gereedschap en het maken van onvolledige verbindingen.
- Vergewis u ervan dat de complete uitrusting is geïnspecteerd en ingesteld zoals aangegeven in de bijbehorende instructies.

## Hulpstukken verwijderen/monteren

- Schakel het gereedschap uit en verwijder de batterij/AC-adapter van het gereedschap.
- Open de montagepen van het hulpstuk volledig. Verwijder/plaats het geschikte hulpstuk (Figuur 7).
- Sluit de montagepen van het hulpstuk volledig tot deze in de gesloten positie vergrendelt. De montagepen van het hulpstuk moet volledig gesloten zijn om schade aan het gereedschap tijdens het gebruik te voorkomen. De leds van het gereedschap lichten op, zie *Figuur 5 voor de statusleds van het gereedschap*.

**LET OP!** Gebruik het gereedschap niet zonder geplaatst hulpstuk, dat kan het gereedschap beschadigen.



Figuur 7 – Montagepen voor hulpstukken

## Voorbereiden van de verbinding

**LET OP** Deze instructies zijn algemene handelwijzen voor verschillende soorten hulpstukken van persgereedschappen. Volg altijd de specifieke instructies voor het hulpstuk van het persgereedschap dat gebruikt wordt en de specifieke installatie-instructies van de fittingfabrikant om het risico van verkeerde persverbindingen en dure materiële schade te voorkomen.

- Bereid de persverbinding voor volgens de instructies van de fittingfabrikant.
- Plaats met droge handen een volledig geladen batterij of een AC-adapter in het gereedschap. Als de bedrade voedingsadapter wordt gebruikt met een aardlekschakelaar (RCD), moet de aardlekschakelaar een nominale verliesstroom van 30 mA of minder hebben. Druk de aan-/uitschakelaar een keer in om het apparaat in te schakelen. Alle leds lichten groen op om aan te geven dat het gereedschap gereed is voor gebruik. Zie *Figuur 5 - Statusleds van het gereedschap voor alle andere lampjes*.



## Een fitting persen met typische schaarbekken

1. Houd het gereedschap goed vast met beide handen.

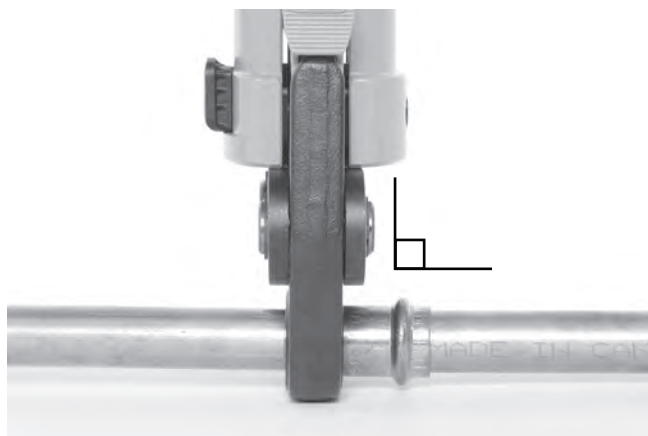


**Figuur 8 – Het gereedschap vasthouden**

2. Druk de armen van de persbek samen om de bek te openen.
3. Plaats de open bekken om de fitting (Figuur 9). Lijn het persprofiel van de bek uit op de fittingcontour, zoals aangegeven in de installatie-instructies van de fabrikant van de fitting. Laat de bekarmen los, zodat de bekken om de fitting sluiten. Laat de vastgeklemd bek niet aan de fitting hangen. Het gereedschap zou onverwachts kunnen vallen en daarbij ernstige of zelfs dodelijke verwondingen veroorzaken.



**Figuur 9 – Aanbrengen van schaarbekken rond fitting**



**Figuur 10 – Bekken loodrecht op de fitting**

4. Controleer of de bek correct en loodrecht op de fitting is aangebracht (Figuur 10). Houd handen en vingers weg bij de bekken om te voorkomen dat ze tussen de bekken of tussen de bekken en andere voorwerpen worden gekneld.

**Normale modus:** druk de activeringsschakelaar in (Figuur 1 & 2). Zodra de werkcyclus begint en de rollen in contact komen met de armen van de bekken, zet het werktuig zich vast en wordt de werkcyclus automatisch voltooid. Zodra het werktuig zich heeft vastgezet, kan de cyclus niet meer worden gestopt door de schakelaar los te laten. Hierdoor wordt de consistente en herhaalbare integriteit van de persverbinding verzekerd.

**Controlemodus:** druk de activeringsschakelaar in (Figuur 1 & 2). De bekken sluiten om de fitting, maar de persverbinding wordt niet gemaakt. Voer zo nodig aanpassingen uit. Druk de activeringsschakelaar opnieuw in, het gereedschap vergrendelt en voltooit automatisch de cyclus. Zodra het werktuig zich heeft vastgezet, kan de cyclus niet meer worden gestopt door de schakelaar los te laten. Hierdoor wordt de consistente en herhaalbare integriteit van de persverbinding verzekerd.

Als het gereedschap moet worden weggenomen voordat de persverbinding voltooid is, moet u de drukontlastknop indrukken (Figuur 1 & 2).

**LET OP** Telkens wanneer de drukontlastknop wordt gebruikt, wordt de persverbinding NIET voltooid en moet de fitting opnieuw worden geperst om een voltooide verbinding te verzekeren. Als het werktuig tijdens de bewerking uitvalt, moet u deze procedure toepassen.

5. Laat de activeringsschakelaar los.
6. Druk de armen van de persbek samen om de bek te openen.
7. Haal de bek van de fitting. Let op met de scherpe randen die mogelijk tijdens de persbewerking op de fitting zijn gevormd.
8. Zodra de bewerking voltooid is, moet u één keer op de aan-/uitschakelaar drukken om het werktuig uit te zetten. Haal de batterij of de AC-adapter uit het gereedschap.

## Een fitting persen met een typische actuator en persring

1. Open de ring en breng hem aan rond de fitting. Lijn het persprofiel van de ring uit op de contour van de fitting, zoals aangegeven in de *installatie-instructies van de fabrikant van de fitting*. Ontgrendel de ring, zodat deze zich sluit rond de fitting (*Figuur 11*).
2. Controleer of de correcte actuator op de juiste wijze in het gereedschap is aangebracht. Knijp de armen van de actuator samen om de tippen te openen. Lijn de tippen van de actuator uit op de uitsparingen in de ring. Laat de armen van de actuator los en laat de punten van de actuator volledig ingrijpen in de uitsparingen in de ring (*Figuur 12*). Als u de tip van de actuator niet juist op de uitsparing in de ring uitlijnt, kan de ring of de actuator bij het persen worden beschadigd. Laat het gereedschap en de actuator niet vrij aan de persring hangen. Het gereedschap zou onverwachts kunnen vallen en daarbij ernstige of zelfs dodelijke verwondingen veroorzaken.



**Figuur 11 – Aanbrengen van de persring op de fitting**



**Figuur 12 – Aanbrengen van de actuator op de persring**

3. Vergewis u ervan dat de ring correct en loodrecht op de fitting is aangebracht. Houd handen en vingers weg bij de actuator en de ring om te voorkomen dat ze tussen de hulpstukken of tussen de hulpstukken en andere voorwerpen worden gekneld.

**Normale modus:** druk de activeringsschakelaar in (*Figuur 1 & 2*). Zodra de werkcyclus begint en de rollen in contact komen met de armen van de bekken, zet het werktuig zich vast en wordt de werkcyclus automatisch voltooid. Zodra het werktuig zich heeft vastgezet, kan de cyclus niet meer worden gestopt door de schakelaar los te laten. Hierdoor wordt de consistente en herhaalbare integriteit van de persverbinding verzekerd.

**Controlemodus:** druk de activeringsschakelaar in (*Figuur 1 & 2*). De bekken sluiten om de fitting, maar de persverbinding wordt niet gemaakt. Voer zo nodig aanpassingen uit. Druk de activeringsschakelaar opnieuw in, het gereedschap vergrendelt en voltooit automatisch de cyclus. Zodra het werktuig zich heeft vastgezet, kan de cyclus niet meer worden gestopt door de schakelaar los te laten. Hierdoor wordt de consistente en herhaalbare integriteit van de persverbinding verzekerd.

4. Als het gereedschap moet worden weggenomen voordat de persverbinding voltooid is, moet u de drukontlastknop indrukken (*Figuur 1 & 2*).

**LET OP** Telkens wanneer de drukontlastknop wordt gebruikt, wordt de persing NIET voltooid en moet de persverbinding opnieuw worden geperst om een voltooide verbinding te garanderen. Als het werktuig tijdens de bewerking uitvalt, moet u deze procedure toepassen.

5. Laat de activeringsschakelaar los.
6. Knijp de armen van de actuator samen om de actuator te openen. Haal de actuator van de fitting.
7. Haal de ring van de fitting. Let op met de scherpe randen die mogelijk tijdens de persbewerking op de fitting zijn gevormd.
8. Zodra de bewerking voltooid is, moet u één keer op de aan-/uitschakelaar drukken om het werktuig uit te zetten. Haal de batterij of de AC-adapter uit het gereedschap.

## De persverbinding controleren

1. Inspecteer de geperste fitting op de volgende punten:
  - Leiding volledig in de fitting geschoven.
  - Sterk afwijkende uitlijning van de leidingen. Een geringe afwijking in de uitlijning bij een persverbinding wordt als normaal beschouwd.
  - Verkeerde uitlijning van het hulpstuk met de contour van de fitting. Verdraaide of vervormde fitting.
  - Eventuele andere problemen volgens de instructies van de fabrikant van de fitting. Dat kan het

verwijderen van een controlering of een sticker zijn (wordt gebruikt om aan te geven dat de verbinding nog niet geperst is).

Als er nog problemen worden gevonden, moet de betreffende fitting worden verwijderd en moet een nieuwe persverbinding worden geperst.

2. Test de persverbinding volgens de instructies van de connectorfabrikant, met inachtneming van de gebruikelijke werkwijzen en toepasselijke voorschriften.

## Bluetooth-functies (Draadloze overdracht van gegevens)

De RIDGID® RP 350 en RP 351 persgereedschappen zijn uitgerust met Bluetooth® technologie, die het mogelijk maakt om draadloos gegevens door te sturen naar daartoe uitgeruste smartphones of tablets ("toestellen") met iOS of Android als besturingssysteem.

1. Download de geschikte RIDGID® Link-app naar uw toestel. Ga hiervoor naar RIDGID.com/apps, de Google Play Store of de Apple App Store.
2. Wanneer het werktuig aanstaat, kan een met Bluetooth uitgerust toestel het perswerktuig detecteren en ermee worden gekoppeld. In de Bluetooth-instellingen van uw apparaat selecteert u het gewenste RIDGID-gereedschap. Raadpleeg de instructies van uw gereedschap voor specifieke informatie over de wijze waarop verbinding moet worden gemaakt via Bluetooth draadloze technologie. Zodra de verbinding is gemaakt, branden de statusleds van het gereedschap groen-blauw-blauw-blauw.  
Na de eerste koppeling worden de meeste apparaten automatisch met het gereedschap verbonden wanneer de Bluetooth draadloze technologie actief is en binnen bereik en als de apparaatinstellingen voor dergelijk gedrag geconfigureerd zijn. Persgereedschappen moeten op een afstand van minder 33 ft (10 m) van het apparaat zijn om gedetecteerd te kunnen worden. Elk obstakel tussen het gereedschap en het apparaat kan het bedieningsbereik verkleinen.
3. Volg de instructies in de app voor het juiste gebruik. De bedrijfsmodus kan via de app worden gewijzigd. De app bewaakt tevens de cycli van het gereedschap.
4. Wordt het persgereedschap uitgeschakeld, schakelt ook de draadloze gegevensoverdracht uit. Schakel het Bluetooth draadloze apparaat uit om uitputting van de apparaatbatterij te verminderen.

## Gebruik in koude omstandigheden

Wanneer de temperatuur daalt, wordt de hydraulische vloeistof dikker en neemt de batterijcapaciteit af. Om het risico op slechte werking te beperken, functioneren de RP 350 en RP 351 niet buiten het gespecificeerde temperatuurbereik. Dit wordt aangegeven door middel van de statusleds van het gereedschap (Figuur 5).

Wanneer de omgevingscondities buiten het gespecificeerde temperatuurbereik vallen, moet u het werktuig en de batterijen in een geklimatiseerde ruimte worden bewaard tot ze klaar zijn voor gebruik.

## Opslag

Haal de batterij of de AC-adapter uit het persgereedschap. Berg het persgereedschap en de batterij op in de koffer. Vermijd opslag bij extreem warme of koude temperaturen. Het gereedschap schakelt niet in wanneer het zich buiten zijn opgegeven bereik bevindt. Dit wordt aangegeven door de statusleds van het gereedschap. (Zie Figuur 5)

**⚠ WAARSCHUWING** Bewaar het gereedschap op een droge, afgesloten plaats, waar gereedschap en batterij buiten bereik zijn van kinderen en andere mensen die niet vertrouwd zijn met het persgereedschap. Het gereedschap is gevaarlijk in de handen van ongeoeffende gebruikers.

## Onderhoudsinstructies

**⚠ WAARSCHUWING**  
**Zorg ervoor dat het gereedschap is uitgeschakeld en de batterij of AC-adapter uit het gereedschap is verwijderd voordat onderhoud of aanpassingen worden uitgevoerd.**

### Reiniging en smering

1. Veeg het elektrische gereedschap dagelijks af met een schone droge doek.
2. Controleer de montagepen voor hulpstukken en breng indien nodig wat siliconensmeermiddel aan op de pen.
3. Controleer tijdens elk gebruik de terughaalveren in de hulpstukken. Hulpstukken moeten probleemloos openen en sluiten met slechts een geringe vingerkracht.

## Onderhoud en reparatie

**⚠ WAARSCHUWING**  
**Gebrekkig onderhoud of een onjuiste reparatie kan het gereedschap onveilig maken om mee te werken.**

Onderhoudswerkzaamheden en reparaties aan de RP 350 en RP 351 persgereedschappen mogen alleen worden uitgevoerd door een onafhankelijk RIDGID servicecentrum voor persgereedschap.

Voor informatie over het dichtstbijzijnde onafhankelijke en erkende RIDGID servicecentrum en voor al uw vragen over onderhoud of reparaties, zie de *Contactgegevens* in deze handleiding.

## Problemen oplossen

SYMPTOOM	MOGELIJKE REDENEN	OPLOSSING
<b>Gereedschap schakelt niet in wanneer de aan-/uitschakelaar wordt ingedrukt.</b>	De batterij is volledig ontladen of defect.	Breng een volledig geladen batterij aan of laad de batterij op.
	De batterij is niet correct in het handvat van het gereedschap aangebracht	Controleer of de batterij volledig op zijn plaats zit.
	AC-adapter niet correct in het gereedschap geplaatst.	Plaats AC-adapter op correcte wijze in het gereedschap.
<b>Hulpstuk zit vast op de fitting.</b>	De persverbinding is niet met succes voltooid.	Druk op de drukontlastknop om de bekken van de fitting te verwijderen. Inspecteer de fitting en pers opnieuw.
<b>De geperste verbindingen zijn niet voltooid.</b>	U hebt de verkeerde bek gebruikt voor de leidingdiameter of het leidingmateriaal.	Breng het correcte hulpstuk aan op het perswerktuig.
	Het werktuig was niet haaks op de leiding geplaatst.	Voer de persverbinding opnieuw uit met een nieuwe fitting en een nieuwe leiding. Zorg ervoor dat het werktuig haaks op de leiding staat.
	Het profiel van het hulpstuk was niet goed uitgelijnd met de fittingcontour.	Maak de verbinding opnieuw met een nieuwe buis en een nieuwe fitting. Zorg ervoor dat de perscontour van het hulpstuk uitgelijnd is met de contour van de fitting.
	Reparatie van het gereedschap is vereist.	Stuur de machine op voor service.
<b>Er lekt olie uit het gereedschap.</b>	Afdichtings- of mechanische problemen.	Stuur de machine op voor service.
<b>Motor draait, maar gereedschap voert geen volledige cyclus uit.</b>	Oliepeil laag.	
<b>Werktuig stopt tijdens de bewerking.</b>	Oliepeil laag.	

**Zie Figuur 5 – Statusleds van het gereedschap**

## Optionele apparatuur

### ⚠ WAARSCHUWING

**Om het risico op ernstige letsels te beperken, mag u alleen het materiaal gebruiken dat specifiek is ontworpen en aanbevolen voor gebruik met de RP 350 en RP 351 persgereedschappen (zie de lijst hierna).**

### Batterij- en adapterpacks

Catalogus nr.	Beschrijving
56513	RB-1825 18V 2.5 Ah lithium-ionbatterij
56518	RB-1850 18V 5.0 Ah lithium-ionbatterij
44468	120 AC-voedingsadapter - Noord-Amerika
43338	220 AC-voedingsadapter - Europa
44823	120 AC-voedingsadapter - China

### Laders en snoeren

Catalogus nr.		Regio	Stekker type
64383	RBC-30 lader	Noord-Amerika	A
56523	RBC-30 lader	Europa	C
64388	RBC-30 lader	China	A
64393	RBC-30 lader	Australië	I
64378	RBC-30 lader	Japan	A
64398	RBC-30 lader	Verenigd Koninkrijk	G
64173	RBC-30-ladersnoer	Noord-Amerika	A
64183	RBC-30-ladersnoer	Europa	C

Voor een volledig overzicht van alle RIDGID-toebehoren die voor deze gereedschappen beschikbaar zijn, zie de Ridge Tool-catalogus online op [RIDGID.com](http://RIDGID.com) of zie *contactgegevens*.

## Afvalverwijdering

Bepaalde delen van deze werktuigen bevatten waardevolle materialen en kunnen worden gerecycled. Een bedrijf dat gespecialiseerd is in recycling vindt u ongetwijfeld ook bij u in de buurt. Verwijder de onderdelen in elk geval in overeenstemming met de geldende wet- en regelgeving. Neem contact op met uw plaatselijke afvalverwijderingsinstantie voor nadere informatie.



**In EG-landen:** Gooi elektrische gereedschappen niet bij het huisvuil!

Conform de Europese Richtlijn 2012/19/EU betreffende afgedankte elektrische en elektronische apparatuur en de implementatie daarvan op landelijk niveau, moet elektrische apparatuur die niet meer bruikbaar is, afzonderlijk worden ingezameld en op milieuvriendelijke wijze worden afgevoerd.



## Elektromagnetische compatibiliteit (EMC)

De term elektromagnetische compatibiliteit wordt gebruikt om de geschiktheid aan te geven van het product om probleemloos te functioneren in een omgeving waarin elektromagnetische straling en elektrostatische ontladingen aanwezig zijn en zonder elektromagnetische storing te veroorzaken bij andere apparatuur.

**LET OP** Deze gereedschappen voldoen aan alle EMC-normen die van toepassing zijn. De mogelijkheid dat ze storing veroorzaken in andere apparaten kan echter niet worden uitgesloten. Alle EMC-gerelateerde normen die getest zijn, worden vermeld in de technische documentatie van het gereedschap.

## FCC/ICES-verklaring

Het apparaat voldoet aan Deel 15 van de FCC-regels. Het gebruik is onderhevig aan de volgende twee voorwaarden:

1. Dit toestel mag geen schadelijke storingen veroorzaken.
2. Dit toestel moet eventueel ontvangen storingen accepteren, inclusief storingen die mogelijk tot een ongewenste werking leiden.

Wijzigingen en aanpassingen die niet uitdrukkelijk door deze onderneming zijn toegestaan, zouden ertoe kunnen leiden dat de gebruiker het recht wordt ontnomen om de uitrusting te bedienen.

Dit apparaat is getest en voldoet aan de eisen die zijn vastgesteld voor een digitaal apparaat van klasse A, overeenkomstig deel 15 van de FCC-regels. Deze grenswaarden zijn ontwikkeld om een redelijke bescherming te bieden tegen schadelijke interferentie wanneer de apparatuur wordt gebruikt in een commerciële omgeving. Deze apparatuur genereert en gebruikt radiofrequentie-energie en kan mogelijk RF-energie uitstralen. Als ze niet wordt geïnstalleerd en gebruikt in overeenstemming met de instructiehandleiding, kan ze radiocommunicatiesystemen storen. Gebruik van deze apparatuur in een woonomgeving kan schadelijke interferentie veroorzaken, zodat de gebruiker in dat geval de interferentie moet corrigeren op eigen kosten.

Dit product voldoet aan de Canadese ICES-003 Class A specificaties. *Zie het label op het gereedschap zelf.*



# RP 350/RP 351

## Pressatrici



### **⚠ AVVERTENZA!**

Leggere attentamente il manuale di istruzioni prima di usare questo utensile. La mancata osservanza delle istruzioni contenute nel presente manuale può comportare il rischio di scosse elettriche, incendi e/o gravi lesioni personali.

#### **Pressatrici RP RP 350/RP 351**

Annotare nella casella sottostante il Numero di serie così come appare sulla targhetta del nome.

N. di serie

--

## Indice

<b>Modulo per la registrazione del Numero di serie del prodotto</b> .....	81
<b>Simboli di sicurezza/Simboli</b> .....	83
<b>Avvertenze di sicurezza generali dell'utensile elettrico</b> .....	83
Sicurezza nell'area di lavoro.....	83
Sicurezza elettrica.....	83
Sicurezza personale.....	84
Utilizzo e cura dell'utensile elettrico.....	84
Utilizzo e cura dell'utensile a batteria.....	84
Manutenzione.....	85
<b>Informazioni specifiche di sicurezza</b> .....	85
Sicurezza della pressatrice.....	85
<b>Informazioni di contatto RIDGID®</b> .....	85
<b>Descrizione</b> .....	86
<b>Specifiche</b> .....	89
Dotazione standard.....	89
<b>Ispezione prima dell'uso</b> .....	89
<b>Configurazione e Funzionamento</b> .....	90
Rimozione/installazione dell'accessorio.....	90
Preparazione del collegamento.....	91
Pressione di un raccordo con ganasce a forbice tipiche.....	91
Pressione di un raccordo con set di attuatore e anello di pressatura tipico.....	92
Ispezione della connessione pressata.....	93
Funzioni di Bluetooth (Trasferimento di dati wireless).....	93
Funzionamento in climi freddi.....	93
<b>Stoccaggio</b> .....	93
<b>Istruzioni di manutenzione</b> .....	93
Pulizia e lubrificazione.....	93
<b>Manutenzione e Riparazione</b> .....	94
<b>Equipaggiamento opzionale</b> .....	94
<b>Risoluzione dei problemi</b> .....	95
<b>Smaltimento</b> .....	96
<b>Compatibilità elettromagnetica (EMC)</b> .....	96
<b>Dichiarazione FCC/ICES</b> .....	96
<b>Dichiarazione di conformità CE</b> .....	Coperchio posteriore interno
<b>Garanzia a vita</b> .....	Quarta di copertina

\*Traduzione delle istruzioni originali

## Simboli di sicurezza/Simboli

Nel presente manuale di istruzioni e sul prodotto, i simboli di sicurezza e le indicazioni scritte vengono utilizzati per comunicare importanti informazioni di sicurezza. Questa sezione serve a migliorare la comprensione di tali indicazioni e simboli.



Questo è un simbolo di avviso di sicurezza. Viene utilizzato per avvertire l'utente di potenziali pericoli di lesioni personali. Rispettare tutti i messaggi che presentano questo simbolo per evitare possibili lesioni anche letali.

### ⚠ PERICOLO

PERICOLO indica una situazione pericolosa che, se non evitata, provoca la morte o gravi lesioni.

### ⚠ AVVERTENZA

AVVERTENZA indica una situazione pericolosa che, se non evitata, può provocare la morte o gravi lesioni.

### ⚠ PRECAUZIONE

PRECAUZIONE indica una situazione pericolosa che, se non evitata, può causare lesioni lievi o moderate.

### AVVISO

AVVISO indica informazioni relative alla protezione della proprietà.



Questo simbolo significa che occorre leggere il manuale di istruzioni attentamente prima di usare l'apparecchiatura. Il manuale di istruzioni contiene informazioni importanti sull'uso sicuro e appropriato dell'apparecchiatura.



Questo simbolo significa che occorre indossare sempre gli occhiali protettivi con schermi laterali o una maschera quando si usa l'apparecchiatura per ridurre il rischio di lesioni agli occhi.



Questo simbolo indica il rischio che mani, dita o altre parti del corpo possano essere schiacciate.



Questo simbolo indica il rischio di scosse elettriche.



Questo simbolo indica che il prodotto è Esclusivamente per uso in ambienti interni.



Questo simbolo indica che il prodotto appartiene alle apparecchiature di Classe II.



Questo simbolo indica che l'apparecchiatura elettrica non deve essere smaltita con i rifiuti domestici. *Vedere la sezione "Smaltimento".*



Questo simbolo indica che l'apparecchiatura elettrica soddisfa i requisiti delle direttive CE applicabili.



Questo simbolo indica l'anno di fabbricazione del prodotto.

## Avvertenze di sicurezza generali dell'utensile elettrico\*

### ⚠ AVVERTENZA

**Leggere tutte le avvertenze di sicurezza, le istruzioni, le illustrazioni e le specifiche fornite con questo utensile elettrico. La mancata osservanza delle istruzioni può causare folgorazione, incendi e/o lesioni gravi.**

### CONSERVARE TUTTE LE AVVERTENZE E LE ISTRUZIONI PER UNA SUCCESSIVA CONSULTAZIONE!

Il termine "utensile elettrico" nelle avvertenze si riferisce all'utensile alimentato a corrente (mediante un cavo) o a batteria (senza cavo).

### Sicurezza nell'area di lavoro

- **Mantenere l'area di lavoro pulita e ben illuminata.** Aree disordinate o al buio favoriscono gli incidenti.

- **Non utilizzare utensili elettrici in ambienti esplosivi, come in presenza di liquidi, gas o polveri infiammabili.** Gli utensili elettrici producono scintille che possono incendiare la polvere o i fumi.
- **Tenere i bambini e gli estranei lontani quando si utilizza l'utensile elettrico.** Qualunque distrazione può farne perdere il controllo.

### Sicurezza elettrica

- **Le spine degli utensili elettrici devono coincidere con le prese. Non modificare la spina in alcun modo. Non usare adattatori con attrezzi elettrici con messa a terra (collegati a massa).** L'uso di spine integre nelle prese corrette riduce il rischio di scosse elettriche.
- **Evitare il contatto del corpo con superfici con messa a terra o collegate a massa come tubature, radiatori, fornelli e frigoriferi.** Il rischio di folgorazione è maggiore se il corpo è collegato a massa o dotato di messa a terra.

\* Il testo usato nella sezione Avvertenze di sicurezza generali dell'utensile elettrico di questo manuale è riportato letteralmente, come richiesto, ai sensi dello standard UL/CSA 62841-1 applicabile. Questa sezione contiene le procedure generali di sicurezza per molti tipi differenti di utensili elettrici. Non tutte le precauzioni si applicano a ogni utensile e alcune non si applicano a questo utensile.



- **Non esporre l'utensile elettrico alla pioggia o all'umidità.** Se penetra dell'acqua in un utensile elettrico, aumenta il rischio di scosse elettriche.
- **Fare buon uso del cavo. Non usare mai il cavo per trasportare l'utensile elettrico, per tirarlo o per staccare la spina. Mantenere il cavo al riparo dal calore, dall'olio, dagli spigoli e da parti in movimento.** I cavi danneggiati o aggrovigliati aumentano il rischio di scosse elettriche.
- **Quando si attiva un utensile elettrico all'aperto, utilizzare una prolunga adatta per l'uso in ambienti esterni.** L'uso di prolunghine per esterni riduce il rischio di scosse elettriche.
- **Se non si può evitare di usare un utensile elettrico in un ambiente umido, usare una presa protetta da un interruttore differenziale (GFCI).** L'uso di un interruttore differenziale (GFCI) riduce il rischio di scosse elettriche.

### Sicurezza personale

- **Non distrarsi: prestare attenzione e lavorare con l'utensile elettrico usando il buon senso. Non usare l'utensile elettrico in caso di stanchezza o sotto l'effetto di droghe, alcool o farmaci.** Un momento di distrazione mentre si usano utensili elettrici può causare gravi lesioni personali.
- **Usare i dispositivi di sicurezza personale. Indossare sempre occhiali protettivi.** I dispositivi di sicurezza individuale, come una mascherina per la polvere, calzature antinfortunistiche con suola antiscivolo, casco protettivo e cuffie antirumore, usati secondo le condizioni appropriate, riducono il rischio di lesioni.
- **Evitare accensioni accidentali. Assicurarsi che l'interruttore sia in posizione OFF (SPENTO) prima di collegare l'utensile alla presa e/o alla batteria, sollevarlo o trasportarlo.** Trasportare utensili elettrici con il dito sull'interruttore o collegare alla corrente utensili con l'interruttore su ON favorisce gli incidenti.
- **Rimuovere tutti i tasti o le chiavi di regolazione prima di accendere l'utensile elettrico (ON).** Una chiave o tasto lasciato in una parte ruotante dell'utensile può causare lesioni personali.
- **Non sporgersi eccessivamente. Mantenere stabilità ed equilibrio in ogni momento.** Questo permette di tenere meglio sotto controllo l'utensile elettrico in situazioni inaspettate.
- **Indossare abbigliamento adatto. Non indossare indumenti ampi o gioielli. Mantenere i capelli, gli indumenti e i guanti lontano dalle parti mobili.** Gli indumenti ampi, i gioielli o i capelli lunghi possono impigliarsi nelle parti mobili.
- **Se gli utensili sono dotati di connessione per dispositivi di estrazione o di raccolta della polvere, controllare che siano collegati e utilizzati correttamente.** L'uso di dispositivi per la raccolta della polvere può ridurre i pericoli derivanti dalla polvere.

- **Non permettere che la familiarità acquisita a seguito di un uso frequente degli utensili porti a eccessiva sicurezza e a ignorare i principi di sicurezza dell'utensile.** Un'azione avventata può causare lesioni gravi in una frazione di secondo.

### Utilizzo e cura dell'utensile elettrico

- **Non forzare l'attrezzo elettrico. Usare l'utensile elettrico adatto al lavoro da svolgere.** L'utensile elettrico adatto svolgerà il lavoro meglio e con maggiore sicurezza nelle applicazioni per le quali è stato progettato.
- **Non utilizzare l'utensile elettrico se l'interruttore di accensione (ON) o spegnimento (OFF) non funziona.** Un utensile elettrico che non può essere acceso o spento è pericoloso e deve essere riparato.
- **Scollegare la spina dalla presa di corrente e/o rimuovere la batteria dall'utensile elettrico prima di regolarlo, di sostituire gli accessori o di riporlo.** Tali misure di sicurezza preventive riducono il rischio di accendere l'utensile elettrico accidentalmente.
- **Conservare gli utensili elettrici inutilizzati fuori dalla portata dei bambini e non consentire a persone che non abbiano familiarità con l'utensile elettrico o con queste istruzioni di attivare l'utensile.** Gli utensili elettrici sono pericolosi nelle mani di utenti inesperti.
- **Manutenzione degli attrezzi elettrici. Controllare che le parti mobili non siano disallineate o bloccate, che non ci siano parti rotte o altre condizioni che possono compromettere il funzionamento dell'attrezzo elettrico. Se danneggiati, fare riparare gli utensili elettrici prima del loro uso.** Molti incidenti sono causati da utensili elettrici trascurati.
- **Mantenere gli utensili da taglio affilati e puliti.** Gli utensili da taglio sottoposti a regolare manutenzione e ben affilati si inceppano di meno e sono più facili da manovrare.
- **Usare l'utensile elettrico, gli accessori e le punte, ecc. attenendosi a queste istruzioni, tenendo presenti le condizioni di utilizzo e il lavoro da svolgere.** L'utilizzo dell'utensile elettrico per operazioni diverse da quelle a cui è destinato può dare luogo a situazioni pericolose.
- **Assicurarsi che le maniglie e le superfici di presa siano asciutte, pulite e prive di olio e grasso.** Le maniglie e le superfici di presa scivolose non consentono il maneggio e controllo sicuro dell'utensile in situazioni impreviste.

### Utilizzo e cura dell'utensile a batteria

- **Eseguire la ricarica soltanto con il caricabatterie specificato dal produttore.** Un caricabatterie predisposto per un tipo specifico di batteria può comportare rischi d'incendio se viene usato con batterie diverse.
- **Usare gli utensili elettrici solo con batterie progettate specificamente per essi.** L'utilizzo di qualunque altra batteria può comportare rischi di lesioni o incendio.

- **Quando la batteria non viene usata, riporla lontano da altri oggetti metallici, come graffette, monete, chiavi, chiodi, viti e altri piccoli oggetti metallici che possono causare un cortocircuito tra un terminale e l'altro.** Cortocircuitare i terminali della batteria può causare bruciature o incendi.
- **In condizioni estreme, la batteria può rilasciare liquido: evitarne il contatto. In caso di contatto accidentale, sciacquare con acqua. Se il liquido entra in contatto con gli occhi, richiedere inoltre assistenza medica.** Il liquido fuoriuscito dalla batteria può causare irritazioni o bruciature.
- **Non utilizzare una batteria o un attrezzo danneggiato o modificato.** Le batterie danneggiate o modificate possono presentare un comportamento imprevedibile con conseguenti incendi, esplosioni o rischio di lesioni.
- **Non esporre la batteria o l'attrezzo alle fiamme o a temperature eccessive.** L'esposizione alle fiamme o a temperature al di sopra di 265° F (130° C) potrebbe provocare esplosioni.
- **Seguire tutte le istruzioni sulla carica e non caricare la batteria a temperature al di fuori dell'intervallo specificato nelle istruzioni.** La carica impropria o a temperature al di fuori dell'intervallo specificato potrebbe danneggiare la batteria e aumentare il rischio di incendio.

## Manutenzione

- **Fare eseguire la revisione dell'utensile elettrico da una persona qualificata che usi soltanto parti di ricambio originali.** Questo garantisce la sicurezza dell'utensile elettrico.

## Informazioni specifiche di sicurezza

### ⚠ AVVERTENZA

**Questa sezione contiene importanti informazioni di sicurezza specifiche per questo utensile.**

**Leggere attentamente queste precauzioni prima di utilizzare le pressatrici, al fine di ridurre il rischio di scosse elettriche, contusione, schiacciamento o altre gravi lesioni.**

**CONSERVARE TUTTE LE AVVERTENZE  
E LE ISTRUZIONI PER UNA SUCCESSIVA  
CONSULTAZIONE!**

È incluso un vano nella custodia di trasporto dell'attrezzo che serve a conservare il manuale insieme all'attrezzo per l'uso da parte dell'operatore.

## Sicurezza della pressatrice

- **Tenere le dita e le mani lontane dagli accessori durante il ciclo di pressatura.** Se rimangono incastrate tra gli accessori o tra questi componenti e altri oggetti, le dita o le mani possono schiacciarsi, fratturarsi o essere amputate.

- **Non provare a riparare gli accessori di pressatura (ganasse, anello di pressatura, attuatore, ecc.). Gettare l'intero accessorio danneggiato.** Un accessorio che è stato saldato, rettificato, perforato o modificato in qualsiasi modo può rompersi durante la pressatura provocando gravi lesioni. La mancata sostituzione dell'intero accessorio di pressatura può provocare guasti ai componenti e lesioni gravi.
- **Vengono generate grandi forze durante l'uso del prodotto che possono rompere o lanciare le parti utilizzate e causare lesioni.** Rimanere lontani durante l'uso e indossare equipaggiamento protettivo adeguato, compresi occhiali protettivi.
- **Utilizzare le pressatrici RIDGID® unicamente con gli accessori compatibili RIDGID o approvati da RIDGID (ganasse, anelli di pressatura, attuatori, etc.).** Altri utilizzi o modifiche apportate alle pressatrici per altre applicazioni possono danneggiare la pressatrice e gli accessori e/o provocare lesioni personali.
- **Utilizzare gli utensili, gli accessori e le combinazioni di montaggio appropriati.** Combinazioni errate possono provocare un collegamento incompleto, con un maggiore rischio di perdite, danni alle apparecchiature e lesioni.
- **Prima di utilizzare una pressatrice RIDGID®, leggere e comprendere quanto segue:**

– Questo manuale di istruzioni

– Le istruzioni sull'accessorio

– Il manuale della batteria/caricabatterie

– Le istruzioni sull'installazione del produttore del raccordo

– Le istruzioni per qualsiasi altra apparecchiatura o materiale usato con questo utensile

La mancata osservanza di tutte le istruzioni e avvertenze può causare danni alla proprietà e/o serie lesioni personali.

## Informazioni di contatto RIDGID®

Per qualsiasi domanda su questo prodotto RIDGID®, vedere in basso:

- Contattare il proprio distributore RIDGID.
- Visitare il sito web RIDGID.com per trovare il punto di contatto RIDGID locale.
- Contattare il Reparto assistenza tecnica Ridge Tool all'indirizzo e-mail [rtctechservices@emerson.com](mailto:rtctechservices@emerson.com), oppure, negli Stati Uniti e in Canada, chiamare il numero verde 1-800-519-3456.

## Descrizione

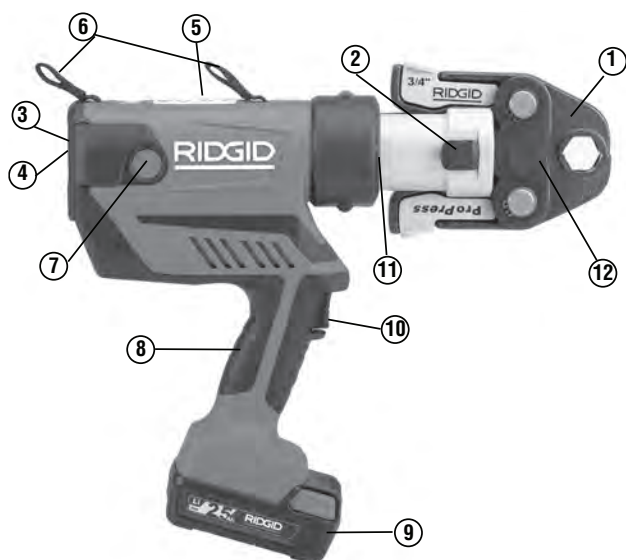
Le Pressatrici RP 350 ed RP 351 RIDGID®, se utilizzate con gli opportuni accessori, sono state ideate per pressare in modo meccanico i raccordi sui tubi, al fine di creare un sigillo permanente e a tenuta stagna, come nel caso delle applicazioni idrauliche, di riscaldamento, di aria condizionata e refrigerazione. Gli accessori sono adatti anche ad altri utilizzi.

Quando viene premuto l'interruttore di accensione sulla pressatrice, un motore elettrico interno alimenta una pompa idraulica che invia fluido nel cilindro dell'utensile, spostando il pistone in avanti e applicando forza sull'accessorio, che preme il raccordo. Il ciclo di pressatura dura circa 4 secondi. Una volta che il ciclo inizia a deformare un raccordo, continuerà automaticamente fino al completamento, anche se viene rilasciato l'interruttore di accensione.

Lo strumento include una seconda modalità operativa ("Modalità di controllo") che può essere attivata utilizzando l'app RIDGID Link. La modalità di controllo consente di attivare il raccordo prima della pressatura in modo da verificare l'allineamento corretto dell'accessorio, del raccordo e del tubo.

Le spie di stato dell'utensile indicano cose quali lo stato dell'utensile, lo stato della batteria, la manutenzione richiesta o la temperatura non corretta. La luce di lavoro si accende quando si preme l'interruttore di accensione per illuminare l'area di lavoro. La testa può essere ruotata di 360° per un migliore accesso in spazi ristretti.

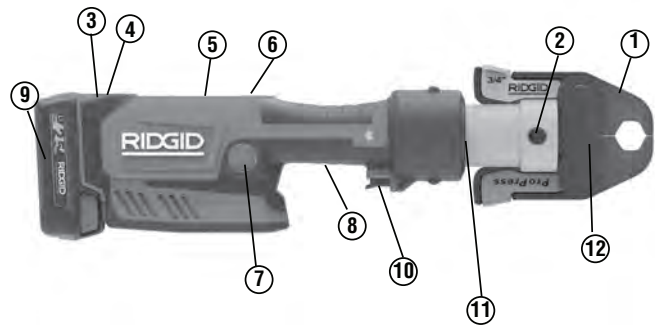
Gli utensili sono dotati di occhielli in tessuto, utilizzabili con gli opportuni accessori, come le cinghie a tracolla o i condotti agganciabili.



**Figura 1 – Pressatrice e Ganascia della Serie Standard RIDGID RP 350**

Le pressatrici includono la tecnologia wireless Bluetooth®, che permette di effettuare la connessione a smartphone e tablet. Per i dettagli vedere la sezione "Funzioni Bluetooth (Trasferimento dati wireless)".

\* Il marchio e i loghi Bluetooth® sono marchi registrati di Bluetooth SIG, inc e qualsiasi utilizzo di tali marchi da parte di Emerson Electric Co. è concesso in licenza. Altri marchi e nomi commerciali appartengono ai rispettivi proprietari.



**Figura 2 – Pressatrice e Ganascia della Serie Standard RIDGID RP 351**

#	Descrizione
1	Set di ganasce di stile a forbice
2	Perno di montaggio dell'accessorio
3	Spie di stato dell'attrezzo
4	Pulsante ON/OFF (ACCESO/SPENTO)
5	Etichetta di avvertenza (Lato inferiore del modello RP 351)
6	Occhiello di tessuto
7	Pulsante di rilascio della pressione (Lato lontano RP 351)
8	Impugnatura
9	Batteria
10	Interruttore di accensione
11	Luce da lavoro LED
12	Piastra laterale della ganascia

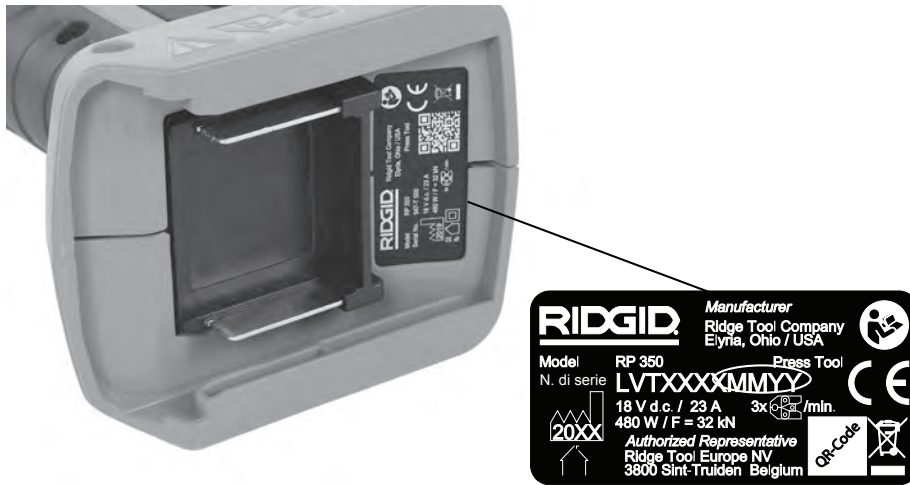
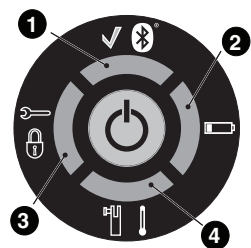


Figura 3 – Numero di serie della macchina - I numeri cerchiati indicano l'anno e il mese di produzione. (YY = anno, MM = mese).

Comando	Marcatura	Descrizione
<b>Pulsante On/Off (Acceso/Spento)</b>		Interruttore di accensione principale dell'utensile. (I = ON, O = OFF). ON: premere il pulsante finché la spia non si accende. <i>Vedere Figura 5 – Spie dello stato dell'attrezzo.</i> OFF: premere il pulsante fino allo spegnimento della spia. L'attrezzo si spegnerà automaticamente (OFF) se non utilizzato per dieci (10) minuti.
<b>Interruttore di accensione</b>	—	<b>Accensione luce di lavoro:</b> premere leggermente l'interruttore di accensione. <b>Modalità normale:</b> premere l'interruttore di accensione per avviare il ciclo di pressatura, rilasciare quando l'utensile si blocca. La modalità normale è l'impostazione di fabbrica. <b>Modalità di controllo:</b> premere l'interruttore di accensione per innestare l'accessorio sul pezzo da lavorare. Effettuare le regolazioni necessarie. Premere di nuovo l'interruttore di accensione per avviare il ciclo di pressatura, rilasciare quando l'utensile si blocca. Il rilascio dell'interruttore non fermerà l'attrezzo nel momento in cui si è agganciato. Questo garantisce un'integrità del collegamento a pressione uniforme e ripetibile. La modalità si può modificare tramite l'app RIDGID Link, <i>vedere la sezione Funzioni Bluetooth.</i>
<b>Pulsante di rilascio della pressione</b>		Fare disinnestare l'utensile senza premere completamente. Il collegamento a pressione, se utilizzato, non è completo e va ripetuto.
<b>Perno di montaggio dell'accessorio</b>	—	Fissa l'accessorio all'utensile. Affinché l'utensile funzioni, va inserito completamente. <i>Vedere la Figura 6.</i>

Figura 4 – Schema dei comandi





Numero di segmenti luminosi (Luce accesa fissa)				Descrizione
1 ✓ Bluetooth	2 Batteria	3 Chiave	4 Vite	
—	—	—	—	Pressatrice spenta (OFF).
Verde	Verde	Verde	Verde	Tasto di accensione premuto, si accende per 4 secondi all'accensione dell'utensile in "Modalità normale".
Blu	Blu	Blu	Blu	Pulsante di accensione premuto, si accende per 4 secondi all'accensione dell'utensile in "Modalità di controllo" - vedere la sezione <i>Funzioni Bluetooth</i> per cambiare modalità.
Verde	—	—	—	Pressatrice in modalità normale, stand by, pressatrice pronta per l'uso.
Rosso	Giallo	Giallo	Giallo	L'attrezzo sta funzionando male. L'attrezzo non funzionerà. Rimuovere e reinserire la batteria o l'adattatore AC. Se la spia resta accesa, fare controllare l'utensile.
Rosso	—	—	—	L'attrezzo sta funzionando male. L'attrezzo non funzionerà. Rimuovere e reinserire la batteria o l'adattatore AC. Se la spia rossa resta accesa, fare controllare l'utensile.
Giallo	—	Rosso	Rosso	Utensile e/o batteria fuori dall'intervallo di temperatura specificato. L'attrezzo non funzionerà. Ripristinare il corretto intervallo della temperatura di esercizio per l'utensile e la batteria.
Giallo	—	—	Rosso	Il perno di montaggio dell'accessorio non è completamente inserito. L'attrezzo non funzionerà. Inserire completamente il perno. Se le spie restano accese, fare controllare l'utensile.
Giallo	Rosso	—	—	Batteria quasi scarica. L'attrezzo non funzionerà. Ricaricare la batteria/inserire una batteria completamente carica.
Verde	Blu	Blu	Blu	Connessione Bluetooth stabilita, stand by, pressatrice pronta per l'utilizzo - Per ulteriori informazioni vedere la sezione sulle <i>Funzioni Bluetooth</i> .
		Viola		Aggiornamento firmware in corso, utensile non utilizzabile durante l'aggiornamento.

**Figura 5 – Spie di stato dell'utensile**



## Specifiche

	RP 350 Pistola pressatrice	RP 351 Pressatrice in linea
Accessori .....	RIDGID Serie Standard	RIDGID Serie Standard
Lunghezza della corsa .....	1.57" (40 mm)	1.57" (40 mm)
Motore		
Tensione classificata a .....	18V CC	18V CC nominali
Amperaggio .....	23 A	23 A
Potenza .....	480 Watt	480 Watt
Forza del pistone .....	7.200 lbs. (32 kN)	7.200 lbs. (32 kN)
Rotazione della testa .....	360°	360°
Ciclo di lavoro .....	3 Press  /min	3 Press  /min
Alimentazione .....	RIDGID Serie RB-18XX Batteria al litio 18V o adattatore per l'alimentazione RIDGID RPA 120/220 AC (Vedere la sezione sull'equipaggiamento opzionale)	
Portata Bluetooth .....	33 piedi. (10 m)	33 piedi. (10 m)
Umidità ammissibile .....	80% massimo	80% massimo
Temperatura di esercizio .....	15° F - 122° F (-10° C - 50° C)	15° F - 122° F (-10° C - 50° C)
Temperatura di stoccaggio .....	32° F - 113° F (0° C - 45° C)	32° F - 113° F (0° C - 45° C)
Peso (senza batteria/accessori) .....	7.83 lbs (3,55 kg)	7.83 lbs (3,55 kg)
Dimensioni .....	11.3" x 11.0" x 3.1" 287 mm x 279 mm x 77 mm	15.7" x 4.65" x 3.1" 398 mm x 118 mm x 77 mm
Pressione acustica (L <sub>PA</sub> )* .....	<74,5 dB(A), K=3 dB(A)	<74,5 dB(A), K=3 dB(A)
Vibrazione* .....	<1,13 m/s <sup>2</sup> , K=1,5	<1,13 m/s <sup>2</sup> , K=1,5

\* Le misurazioni della vibrazione e del suono nella presente dichiarazione sono state effettuate in conformità con un test standardizzato conforme allo Standard EN 62481-1.

- I livelli di vibrazione possono essere utilizzati per il confronto con altri utensili e per la valutazione preliminare dell'esposizione.

- Le emissioni sonore e della vibrazione potrebbero variare in base all'ubicazione dell'utente e all'uso specifico di questi utensili.

- I livelli di esposizione quotidiana per il suono e la vibrazione devono essere valutati per ciascuna applicazione e devono essere prese opportune misure di sicurezza, se necessario.

La valutazione dei livelli di esposizione deve prendere in considerazione il periodo di tempo in cui l'attrezzo è spento e non viene utilizzato. Questo calcolo potrebbe ridurre significativamente il livello di esposizione per l'intero periodo di lavoro.

## Dotazione standard

Fare riferimento al Catalogo RIDGID per informazioni dettagliate sulle apparecchiature fornite con i numeri di catalogo relativi ad attrezzi specifici.

NOTA! Gli accessori della pressatrice RIDGID sono disponibili in due "serie"

- Serie Standard
- Serie Compact

Gli accessori non sono intercambiabili. Gli accessori della serie Standard funzionano solo con gli utensili della serie Standard (RP 350, RP 351, RP 342-XL, RP 340, RP 330, 320-E, CT-400). Gli accessori della serie Compact funzionano solo con gli utensili della serie Compact (RP 240, RP 241, RP 200, RP 210, 100B).

**AVVISO** La selezione degli opportuni materiali e dei metodi di accoppiamento sono a carico del progettatore e/o dell'installatore del sistema. Prima di procedere a qualsiasi installazione, occorre completare un'attenta valutazione dell'ambiente operativo specifico, inclusi l'ambiente chimico e la temperatura di servizio. Per informazioni sulla selezione, consultare il produttore del sistema di raccordi della pressa.

## Ispezione prima dell'uso

### AVVERTENZA



**Ogni giorno, prima dell'uso, esaminare la pressatrice e correggere eventuali problematiche per ridurre il rischio di lesioni gravi dovute a scosse elettriche, lesioni da schiacciamento, guasto dell'accessorio e altre cause, e prevenire i danni all'attrezzo.**

**gusto dell'accessorio e altre cause, e prevenire i danni all'attrezzo.**

1. Spegnerne l'utensile e rimuovere la batteria/l'adattatore AC.
2. Rimuovere l'eventuale olio, grasso o sporcizia dall'apparecchiatura, specialmente da impugnature e comandi. Questo facilita l'ispezione e impedisce che l'utensile o i comandi scivolino dalle mani dell'operatore.

3. Esaminare la pressatrice per:

- Assemblaggio, manutenzione e allestimento adeguati.
- Parti rotte, usurate, mancanti, disallineate o leganti. Accertarsi che gli occhielli in tessuto siano in buone condizioni.
- Movimento fluido del perno di montaggio dell'accessorio tra la posizione completamente aperta e quella completamente chiusa. Il perno deve bloccarsi in ogni posizione. Verificare che l'interruttore di accensione si muova liberamente e non si blocchi o si attacchi.
- Presenza e leggibilità dell'etichetta di avvertenza (vedere Figura 6).
- Qualsiasi altra condizione tale da impedire il funzionamento normale e sicuro.

In caso di problemi, non utilizzare la pressatrice finché non sono stati risolti.



**Figure 6 - Spie di stato/Etichetta di avvertenza**

4. Ispezionare e mantenere gli accessori degli strumenti secondo le loro istruzioni. Rimuovere l'accessorio dall'utensile. Verificare che gli accessori siano in buone condizioni e chiaramente contrassegnati come idonei all'utilizzo.
5. Esaminare e conservare le altre apparecchiature che si stanno utilizzando in base alle istruzioni, per garantire che funzionino correttamente.

## Configurazione e Funzionamento

### ⚠ AVVERTENZA



**Tenere le dita e le mani lontane dagli accessori durante il ciclo di pressatura. Potrebbero verificarsi schiacciamenti, fratture o amputazioni delle dita o delle mani nell'accessorio, nell'utensile o tra questo e l'accessorio, il pezzo in lavorazione e altri oggetti.**

**Durante l'uso del prodotto vengono generate grandi forze che possono rompere o lanciare le parti utilizzate e causare lesioni. Rimanere lontani durante l'uso e indossare equipaggiamento protettivo adeguato, compresi occhiali protettivi.**

**Usare combinazioni di attrezzo, accessorio e raccordo idonee. Le combinazioni non adeguate possono causare collegamenti a pressione incompleti, che aumentano i rischi di perdite, danni alle apparecchiature e lesioni.**

**Seguire le istruzioni in Configurazione e Funzionamento, per ridurre il rischio di lesioni dovute a schiacciamento, scosse elettriche e altre cause, e per prevenire i danni all'utensile.**

1. Verificare che l'area di lavoro sia idonea (Vedere Avvertenze di sicurezza generali dell'utensile elettrico). Attivare in un luogo piano, sgombro, stabile e asciutto. Non usare l'attrezzo quando ci si trova in piedi nell'acqua.
2. Esaminare il lavoro da eseguire e determinare l'utensile RIDGID e l'accessorio RIDGID corretti per l'applicazione in base alle specifiche. L'utilizzo di un'apparecchiatura errata per un'applicazione può causare lesioni, danni all'utensile e connessioni non perfette e non a norma.
3. Accertarsi che tutte le apparecchiature siano state esaminate e configurate nel rispetto delle relative istruzioni.

### Rimozione/installazione dell'accessorio

1. Spegner l'utensile e rimuovere la batteria/l'adattatore AC.
2. Aprire completamente il perno di montaggio dell'accessorio. Rimuovere/inserire l'accessorio corretto (Figura 7).
3. Chiudere completamente il perno di montaggio dell'accessorio finché non si blocca in posizione di chiusura. Il perno di montaggio dell'attrezzatura deve essere completamente chiuso per evitare danni all'utensile durante l'uso. Le spie dell'utensile si accendono per indicarlo, vedere la Figura 5 per le spie di stato dell'utensile.

**NOTA!** Non azionare l'utensile senza accessorio montato, in quanto potrebbe danneggiarsi.



**Figura 7 - Perno di montaggio dell'accessorio**

## Preparazione del collegamento

**AVVISO** Queste istruzioni riportano prassi generalizzate per diversi tipi di accessori della pressatrice. Seguire sempre le istruzioni specifiche per l'accessorio della pressatrice in uso e le istruzioni di installazione specifiche dei produttori dei raccordi, per ridurre il rischio di collegamenti a pressione impropri e danni estesi alla proprietà.

1. Preparare il collegamento a pressione seguendo le istruzioni del produttore del raccordo.
2. Con le mani asciutte, inserire una batteria completamente carica o un adattatore AC nell'utensile. Se si utilizza l'adattatore per l'alimentazione con cavo con GFCI, il GFCI (RCD) deve avere una corrente residua nominale di 30 mA o inferiore. Premere una volta il pulsante ON/OFF per accendere l'utensile. Tutti i LED verdi si accendono indicando che l'utensile è pronto all'uso. Vedere la Figura 5 - Spie di stato dell'utensile per le altre spie.

## Pressione di un raccordo con ganasce a forbice tipiche

1. Impugnare correttamente l'utensile con entrambe le mani.



Figura 8 - Impugnatura dell'attrezzo

2. Stringere i bracci delle ganasce per aprire le ganasce.
3. Posizionare le ganasce aperte intorno al raccordo (Figura 9). Allineare adeguatamente il profilo della ganascia al contorno del raccordo, come specificato nelle Istruzioni sull'installazione del produttore del raccordo. Aprire i bracci delle ganasce per chiudere le ganasce intorno al raccordo. Non appendere il set ganasce dal raccordo. L'attrezzo potrebbe improvvisamente cadere e causare gravi lesioni o la morte.



Figura 9 - Collocamento di ganasce di stile a forbice intorno al raccordo

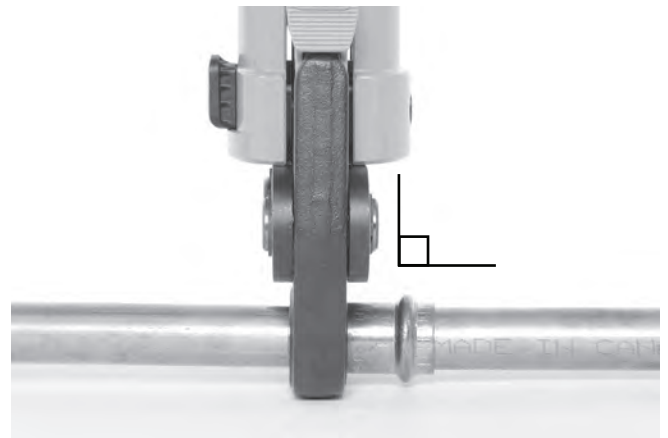


Figure 10 - Ganasce a squadra rispetto al raccordo

4. Accertarsi che la ganascia sia stata correttamente posizionata e sia a squadra rispetto al raccordo (Figura 10). Per evitare lesioni da schiacciamento nelle ganasce oppure tra queste e gli oggetti circostanti, mantenere le dita e le mani lontane dalle ganasce.

**Modalità normale:** premere l'interruttore di accensione (Figura 1 e 2). Quando inizia il ciclo dell'utensile e i rulli entrano a contatto con i bracci della ganascia, l'utensile si aggancia e completa automaticamente il ciclo. Il rilascio dell'interruttore non ferma l'utensile nel momento in cui si è agganciato. Questo garantisce un'integrità del collegamento a pressione uniforme e ripetibile.

**Modalità di Controllo:** l'interruttore di accensione (Figura 1 e 2). Le ganasce si innestano sul raccordo ma il collegamento a pressione non viene attuato. Effettuare le regolazioni necessarie. Premere di nuovo l'interruttore di accensione, l'utensile si aggancia e completa automaticamente il ciclo. Il rilascio dell'interruttore non fermerà l'attrezzo nel momento in cui si è agganciato. Questo garantisce un'integrità del collegamento a pressione uniforme e ripetibile.

Se occorre rimuovere l'utensile prima del completamento del collegamento a pressione, premere il pulsante di rilascio della pressione (Figure 1 e 2).

**AVVISO** Ogni volta che si preme il pulsante di rilascio, il collegamento a pressione NON è completo e occorre premere di nuovo il raccordo per garantire il completamento. Se l'attrezzo funziona male durante l'operazione, utilizzare questa procedura.

5. Rilasciare l'interruttore di marcia.
6. Stringere i bracci delle ganasce per aprire le ganasce.
7. Rimuovere la ganasca dal raccordo. Prestare attenzione ai margini appuntiti che potrebbero essersi formati sul raccordo durante l'operazione di pressione.
8. Al termine dell'operazione, premere una volta il pulsante ON/OFF per spegnere l'utensile. Rimuovere la batteria o l'adattatore AC dall'utensile.

### Pressione di un raccordo con set di attuatore e anello di pressatura tipico

1. Aprire l'anello e collocarlo intorno al raccordo. Allineare adeguatamente il profilo dell'anello di pressatura al contorno del raccordo, come specificato nelle Istruzioni sull'installazione del produttore del raccordo. Rilasciare l'anello per chiudere intorno al raccordo (Figure 11).
2. Accertarsi che l'attuatore sia installato correttamente nell'utensile. Stringere i bracci dell'attuatore per aprire le punte dell'attuatore. Allineare le punte dell'attuatore alle tasche dell'anello. Rilasciare i bracci dell'attuatore e inserire completamente le punte dell'attuatore nelle tasche dell'anello (Figure 12). L'errato allineamento della punta dell'attuatore alla tasca dell'anello può danneggiare l'anello o l'attuatore durante la pressione. Non appendere l'attrezzo e l'attuatore dall'anello di pressatura. L'utensile potrebbe improvvisamente cadere e causare lesioni o mortali.



**Figure 11 - Installazione dell'anello di pressatura sul raccordo**



**Figure 12 - Aggancio dell'attuatore all'anello di pressatura**

3. Accertarsi che l'anello sia stato correttamente posizionato e a squadra rispetto al raccordo. Per evitare lesioni da schiacciamento nell'accessorio oppure tra l'accessorio e gli oggetti circostanti, mantenere le dita e le mani lontane dall'attuatore e dall'anello.

**Modalità normale:** premere l'interruttore di accensione (Figure 1 e 2). Quando il ciclo dell'attrezzo inizia e i rulli entrano a contatto con i bracci della ganasca, l'attrezzo si aggancerà e automaticamente completerà il ciclo. Il rilascio dell'interruttore non fermerà l'attrezzo nel momento in cui si è agganciato. Questo garantisce un'integrità del collegamento a pressione uniforme e ripetibile.

**Modalità di Controllo:** l'interruttore di accensione (Figure 1 e 2). Le ganasce si innestano sul raccordo ma il collegamento a pressione non viene attuato. Effettuare le regolazioni necessarie. Premere di nuovo l'interruttore di accensione, l'utensile si aggancia e completa automaticamente il ciclo. Il rilascio dell'interruttore non fermerà l'attrezzo nel momento in cui si è agganciato. Questo garantisce un'integrità del collegamento a pressione uniforme e ripetibile.

4. Se occorre rimuovere l'utensile prima del completamento del collegamento a pressione, premere il pulsante di rilascio della pressione (Figure 1 e 2).

**AVVISO** Ogni volta che si preme il pulsante di rilascio, il collegamento NON è completo e occorre premere di nuovo il collegamento a pressione per garantire il completamento. Se l'attrezzo funziona male durante l'operazione, utilizzare questa procedura.

5. Rilasciare l'interruttore di marcia.
6. Stringere i bracci dell'attuatore per aprire l'attuatore. Rimuovere l'attuatore dal raccordo.
7. Rimuovere l'anello dal raccordo. Prestare attenzione ai margini appuntiti che potrebbero essersi formati sul raccordo durante l'operazione di pressione.



- Al termine dell'operazione, premere una volta il pulsante ON/OFF per spegnere l'utensile. Rimuovere la batteria o l'adattatore AC dall'utensile.

### Ispezione della connessione pressata

- Esaminare il raccordo pressato per:
  - L'inserimento completo del tubo nel raccordo.
  - Disallineamento eccessivo dei tubi. Un leggero disallineamento in corrispondenza del collegamento a pressione è da considerarsi normale.
  - Allineamento errato dell'accessorio con il contorno del raccordo. Raccordo distorto o deformato.
  - Eventuali altri problemi secondo il produttore del raccordo. Questi potrebbero includere la rimozione di un anello di controllo o di una decalcomania (utilizzata per indicare che il collegamento non è ancora stato premuto).

Qualora si riscontrino problemi, rimuovere il raccordo e installare un nuovo collegamento a pressione.
- Testare il collegamento a pressione secondo le istruzioni del produttore del connettore, in base alle normali procedure e ai codici applicabili.

### Funzioni di Bluetooth (Trasferimento di dati wireless)

Le Pressatrici RP 350 e RP 351 RIDGID® includono la tecnologia wireless Bluetooth® che consente il trasferimento dei dati wireless a smartphone o tablet ("dispositivi"), propriamente predisposti, che eseguono i sistemi operativi iOS o Android.

- Scaricare sul proprio dispositivo l'app RIDGID® Link dal sito web RIDGID.com/apps, da Google Play Store o Apple App Store.
- Quando l'attrezzo è acceso (ON), un dispositivo dotato di tecnologia wireless Bluetooth è in grado di trovare la pressatrice e abbinarsi ad essa. Nelle impostazioni Bluetooth del dispositivo, selezionare l'utensile RIDGID desiderato. Fare riferimento alle istruzioni del dispositivo per informazioni specifiche su come connettersi tramite la tecnologia wireless Bluetooth. Una volta connesso, si accendono le spie di stato dello strumento verde-blu-blu-blu.
 

Dopo l'associazione iniziale, quando la tecnologia wireless Bluetooth è attiva e nel raggio d'azione e le impostazioni del dispositivo sono configurate per farlo, la maggior parte dei dispositivi si connette automaticamente agli utensili. Le pressatrici devono essere a meno di 33 piedi (10 m) dal dispositivo da rilevare. Qualsiasi ostacolo tra l'utensile e il dispositivo può ridurre il raggio di azione.
- Per l'utilizzo corretto, seguire le istruzioni dell'app. La modalità di funzionamento può essere modificata tramite app. L'app consente anche il monitoraggio dei cicli degli utensili.

- Il trasferimento dati wireless si disattiva quando la pressatrice viene spenta. Spegnere il dispositivo wireless Bluetooth per ridurre il consumo della batteria del dispositivo.

### Funzionamento in climi freddi

Temperature più basse rendono meno fluido il liquido idraulico riducendo le prestazioni della batteria. Per ridurre il rischio di un funzionamento improprio, l'RP 350 e l'RP 351 non funzionano al di fuori dell'intervallo di temperatura specifico, come indicato dalle spie di stato dell'utensile (Figura 5).

Quando le condizioni ambientali sono al di fuori della gamma di temperatura specifica, conservare l'attrezzo le batterie in uno spazio condizionato fino al successivo utilizzo.

### Stoccaggio

Rimuovere la batteria o l'adattatore AC dalla pressatrice. Conservare la pressatrice e la batteria nella custodia. Evitare di conservare in condizioni atmosferiche di caldo o freddo estremo. L'utensile non si accende se si trova al di fuori dell'intervallo delle specifiche. Questa condizione viene indicata dalle spie di stato dell'utensile. (Vedere la Figura 5)

**⚠ AVVERTENZA** Conservare la pressatrice in un'area asciutta e sicura, fuori dalla portata dei bambini e degli individui che non hanno familiarità con l'utensile. Gli utensili sono pericolosi nelle mani di utenti inesperti.

### Istruzioni di manutenzione

#### ⚠ AVVERTENZA

**Prima di eseguire la manutenzione o effettuare qualsiasi regolazione, assicurarsi che l'utensile sia spento e che la batteria o l'adattatore AC siano stati rimossi.**

#### Pulizia e lubrificazione

- Pulire l'utensile quotidianamente con un panno asciutto pulito.
- Esaminare il perno di montaggio dell'accessorio e lubrificarlo con un lubrificante al silicone, come necessario.
- A ogni utilizzo, controllare le molle di ritorno negli accessori. Gli accessori devono aprirsi e chiudersi liberamente con uno sforzo moderato delle dita.



## Manutenzione e Riparazione

### ⚠ AVVERTENZA

**Manutenzione o riparazioni inadeguate possono rendere il funzionamento dell'utensile non sicuro.**

La manutenzione e riparazione di queste Pressatrici RP 350 e RP 351 devono essere effettuate presso un Centro di Assistenza per Pressatrici Indipendente RIDGID.

Per informazioni sul Centro di assistenza indipendente autorizzato RIDGID più vicino o per rivolgere domande sulla manutenzione o riparazione, fare riferimento alla sezione *Informazioni riguardanti il cliente* nel presente manuale.

## Equipaggiamento opzionale

### ⚠ AVVERTENZA

**Per ridurre il rischio di gravi lesioni, usare esclusivamente apparecchiature progettate espressamente e raccomandate per l'uso con le Pressatrici RP 350 ed RP 351, come quelle elencate di seguito.**

### Batteria e adattatore

N. di catalogo	Descrizione
56513	Batteria agli ioni di litio RB-1825 18V 2,5 Ah
56518	Batteria agli ioni di litio RB-1850 18V 5,0 Ah
44468	Adattatore per l'alimentazione a 120 CA - Nord America
43338	Adattatore per l'alimentazione a 220 CA - Europa
44823	Adattatore per l'alimentazione a 120 CA - Cina

## Caricabatterie e cavi

N. di catalogo.		Regione	Tipo di spina
64383	Caricabatteria RBC-30	Nord America	A
56523	Caricabatteria RBC-30	Europa	C
64388	Caricabatteria RBC-30	Cina	A
64393	Caricabatteria RBC-30	Australia	I
64378	Caricabatteria RBC-30	Giappone	A
64398	Caricabatteria RBC-30	Regno Unito	G
64173	Cavo del caricabatteria RBC-30	Nord America	A
64183	Cavo del caricabatteria RBC-30	Europa	C

Per un elenco completo delle apparecchiature RIDGID disponibili per questi utensili, consultare il Catalogo Ridge Tool online sul sito web [RIDGID.com](http://RIDGID.com) oppure fare riferimento alle *Informazioni riguardanti il cliente*.

## Risoluzione dei problemi

PROBLEMA	POSSIBILI CAUSE	SOLUZIONE
<b>L'utensile non si accende quando si preme il pulsante ON/OFF.</b>	La batteria è completamente scarica o è guasta.	Inserire una batteria completamente carica/ricaricare la batteria.
	La batteria non è stata correttamente inserita nell'impugnatura dell'attrezzo	Accertarsi che la batteria sia correttamente inserita.
	Adattatore AC inserito erroneamente nell'utensile.	Inserire correttamente l'adattatore AC nell'utensile.
<b>L'accessorio è bloccato sul raccordo.</b>	Il collegamento a pressione non è stato completato correttamente.	Premere il pulsante di rilascio della pressione per rimuovere le ganasce dal raccordo. Ispezionare e premere nuovamente il raccordo.
<b>Le connessioni pressate effettuate non sono state completate.</b>	Utilizzo di una ganasce errata per la dimensione o il materiale del tubo.	Installare l'accessorio corretto.
	L'attrezzo non è stato messo a squadra rispetto al tubo.	Ripetere il collegamento a pressione con un nuovo raccordo e un nuovo tubo. Accertarsi che l'utensile sia posizionato a 90° rispetto al tubo.
	Il contorno di pressatura dell'accessorio non era allineato al contorno del raccordo.	Rieseguire la giunzione con un nuovo tubo e un nuovo raccordo. Assicurarsi che il contorno di pressatura dell'accessorio sia allineato con il contorno del raccordo.
	L'attrezzo deve essere riparato.	Richiedere la manutenzione.
<b>Perdita d'olio dall'attrezzo.</b>	Problemi al paraolio o meccanici.	
<b>Il motore funziona ma l'attrezzo non completa il ciclo.</b>	Livello dell'olio basso.	Richiedere la manutenzione.
<b>L'attrezzo si arresta durante il funzionamento.</b>	Livello dell'olio basso.	

**Vedere Figura 5 – Spie dello stato dell'attrezzo**

## Smaltimento

Parti di questi utensili contengono materiali di valore e possono essere riciclate. Nella propria zona potrebbero esservi aziende specializzate nel riciclaggio. Smaltire i componenti in conformità con tutte le normative in vigore. Contattare l'autorità locale di gestione dello smaltimento per maggiori informazioni.



**Per i Paesi CE:** Non smaltire le apparecchiature elettriche con i rifiuti domestici!

Secondo la Direttiva europea 2012/-19/UE sullo Smaltimento di apparecchiature elettriche ed elettroniche e la sua implementazione nella legislazione nazionale, le apparecchiature elettriche che non sono più utilizzabili devono essere

raccolte separatamente e smaltite in modo ecocompatibile.

## Compatibilità elettromagnetica (EMC)

Con il termine di compatibilità elettromagnetica si intende la capacità del prodotto di funzionare senza problemi in un ambiente in cui sono presenti radiazioni elettromagnetiche e scariche elettrostatiche e senza causare interferenze elettromagnetiche ad altre apparecchiature.

**AVVISO** Questi attrezzi sono conformi a tutti gli standard EMC applicabili. Tuttavia, la possibilità che essi causino interferenze con altri dispositivi non può essere esclusa. Tutti gli standard relativi a EMC che sono stati testati sono richiamati nel documento tecnico dell'attrezzo.

## Dichiarazione FCC/ICES

Questo dispositivo è conforme alla Sezione 15 delle norme FCC. Il funzionamento è soggetto alle seguenti due condizioni:

1. Questo dispositivo non causa interferenze dannose.
2. Questo dispositivo deve accettare ogni interferenza ricevuta, comprese le interferenze che possono causare un funzionamento non desiderato.

Le modifiche non espressamente approvate da questa società potrebbero annullare il diritto dell'utente di azionare l'apparecchiatura.

Questa apparecchiatura è stata testata e risulta conforme ai limiti per i dispositivi digitali di Classe A, ai sensi della Sezione 15 delle Norme FCC. Questi limiti sono progettati per fornire una protezione ragionevole contro interferenze dannose quando l'apparecchiatura viene utilizzata in un ambiente commerciale. Questo apparecchio genera, utilizza e irradia energia in radio frequenza e, se non è installato e utilizzato in accordo con il manuale delle istruzioni, può causare interferenze dannose alle comunicazioni radio. È probabile che il funzionamento di questa apparecchiatura in un'area residenziale provochi interferenze dannose, nel qual caso l'utente dovrà correggere l'interferenza a proprie spese.

Questo prodotto è conforme alle specifiche di Classe A ICES-003 canadesi. *Vedere l'etichetta della Dichiarazione sull'attrezzo.*

# RP 350/RP 351

## Ferramentas de Prensagem



### **⚠ AVISO!**

Leia o Manual do Operador cuidadosamente antes de utilizar esta ferramenta. A não compreensão e a inobservância do conteúdo deste manual pode resultar em choque elétrico, incêndio, e/ou ferimentos pessoais graves.

#### **Ferramentas de prensagem RP 350/RP 351**

Registre o Número de Série abaixo e retenha o número de série do produto localizado na placa de nome.

N.º de  
Série.

--	--

## Índice

<b>Formulário de registo do número de série da máquina</b> .....	97
<b>Símbolos de segurança/Símbolos</b> .....	99
<b>Avisos de segurança gerais para ferramentas elétricas</b> .....	99
Segurança da área de trabalho.....	99
Segurança elétrica.....	99
Segurança pessoal.....	100
Utilização e manutenção da ferramenta elétrica.....	100
Utilização e Manutenção da Bateria.....	101
Serviço.....	101
<b>Informações de segurança específicas</b> .....	101
Segurança da ferramenta de prensagem.....	101
<b>Informações de contacto da RIDGID®</b> .....	102
<b>Descrição</b> .....	102
<b>Especificações</b> .....	103
Equipamento padrão.....	105
<b>Inspeção antes da colocação em funcionamento</b> .....	105
<b>Configuração e funcionamento</b> .....	106
Instalar/desinstalar o acessório.....	106
Preparar a ligação.....	106
Prensar um acessório com mordentes estilo tesoura típicos.....	107
Pressionar engaste A com atuador típico e pressionar conjunto de anel.....	108
Inspeccionar a ligação prensada.....	109
Funções Bluetooth (transferência de dados sem fios).....	109
Funcionamento em climas frios.....	109
<b>Armazenamento</b> .....	109
<b>Instruções de manutenção</b> .....	109
Limpeza e lubrificação.....	109
<b>Assistência e reparação</b> .....	109
<b>Resolução de problemas</b> .....	110
<b>Equipamento opcional</b> .....	110
<b>Eliminação</b> .....	111
<b>Compatibilidade Eletromagnética (EMC)</b> .....	112
<b>Declaração FCC/ICES</b> .....	112
<b>Declaração de Conformidade CE</b> .....	Contracapa interior
<b>Garantia vitalícia</b> .....	Contracapa

\*Tradução das instruções originais



## Símbolos de segurança/Símbolos

Neste manual do operador e no produto são utilizados símbolos de segurança e palavras de advertência para comunicar informações de segurança importantes. Esta secção é fornecida para melhorar a compreensão destas palavras e símbolos de advertência.



Este é o símbolo de alerta de segurança. É utilizado para alertar quanto a potenciais perigos de ferimentos pessoais. Respeite todas as mensagens de segurança que se seguem a este símbolo para evitar possíveis ferimentos ou morte.

### ⚠ PERIGO

PERIGO indica uma situação perigosa que, se não for evitada, resultará em morte ou ferimento grave.

### ⚠ AVISO

AVISO indica uma situação perigosa que, se não for evitada, poderá resultar em morte ou ferimento grave.

### ⚠ ATENÇÃO

ATENÇÃO indica uma situação perigosa que, se não for evitada, poderá resultar em ferimentos ligeiros a moderados.

### NOTA

NOTA indica informações relacionadas com a proteção de propriedade.



Este símbolo significa que deve ler o manual do operador cuidadosamente antes de utilizar o equipamento. O manual do operador contém informações importantes sobre o funcionamento seguro e adequado do equipamento.



Este símbolo significa que deve utilizar sempre óculos de proteção com proteções laterais, ou viseiras de proteção, ao manusear este equipamento, de forma a reduzir o risco de ferimentos oculares.



Este símbolo indica o risco de esmagamento das mãos, dos dedos ou de outras partes do corpo.



Este símbolo indica o risco de choque elétrico.



Este símbolo indica que o produto é apenas para uso interior.



Este símbolo indica que o produto é um equipamento Classe II.



Este símbolo indica que este é um equipamento elétrico que não se deve eliminar com os resíduos domésticos. Consultar a secção "Eliminação".



Este símbolo indica que este equipamento elétrico cumpre os requisitos das diretivas CE aplicáveis.



Este símbolo indica o ano do fabricante do produto.

## Avisos de segurança gerais para ferramentas elétricas\*

### ⚠ AVISO

**Leia todos os avisos de segurança, instruções, ilustrações e especificações fornecidos com esta ferramenta elétrica. A não observância de todas as instruções abaixo indicadas pode resultar em choque elétrico, incêndio e/ou lesões graves.**

### GUARDE TODOS OS AVISOS E INSTRUÇÕES PARA REFERÊNCIA FUTURA!

O termo "ferramenta elétrica" nos avisos refere-se à sua ferramenta elétrica com ligação à corrente elétrica (com cabo) ou alimentada por bateria (sem cabo).

### Segurança da área de trabalho

- **Mantenha a sua área de trabalho limpa e bem iluminada.** Áreas desarrumadas ou mal iluminadas podem provocar acidentes.

- **Não opere ferramentas elétricas em atmosferas explosivas, como na presença de líquidos inflamáveis, gases ou pó.** As ferramentas elétricas criam faíscas que podem inflamar o pó ou fumos.
- **Mantenha crianças e visitantes fora do alcance enquanto opera uma ferramenta elétrica.** As distrações podem fazê-lo perder o controlo.

### Segurança elétrica

- **As fichas das ferramentas elétricas têm de corresponder adequadamente à tomada. Nunca modifique a ficha. Não utilize adaptadores de ficha em ferramentas elétricas com ligação à terra.** Fichas não modificadas e tomadas correspondentes reduzirão o risco de choque elétrico.
- **Evite o contacto corporal com superfícies ligadas à terra ou à massa, tais como canos, radiadores, fogões e frigoríficos.** O risco de choque elétrico aumenta se o seu corpo estiver em contacto com a terra ou a massa.

\* O texto utilizado na secção de Avisos Gerais de Segurança com Ferramentas Elétricas deste manual é literal, conforme exigido pela norma UL/CSA 62841-1 aplicável. Esta secção contém práticas de segurança gerais para muitos tipos diferentes de ferramentas elétricas. Nem todas as precauções se aplicam a todas as ferramentas, e algumas não se aplicam a esta ferramenta.

- **Não exponha as ferramentas elétricas à chuva ou humidade.** O risco de choque elétrico aumenta com a entrada de água na ferramenta elétrica.
- **Não force o cabo. Nunca use o cabo elétrico para transportar, puxar ou desligar a ferramenta elétrica da tomada. Proteja o cabo elétrico do calor, óleo, arestas afiadas e peças móveis.** Os cabos danificados ou emaranhados aumentam o risco de choque elétrico.
- **Ao utilizar a ferramenta elétrica no exterior, use um cabo de extensão adequado para utilização no exterior.** O uso de um cabo adequado a exteriores reduz o risco de choque elétrico.
- **Se tiver de utilizar uma ferramenta elétrica num ambiente húmido, use um corta-circuito protegido em caso de falha na terra (GFCI).** A utilização de GFCI reduz o risco de choque elétrico.

## Segurança pessoal

- **Mantenha-se alerta, atento ao que está a fazer e use o bom senso ao utilizar uma ferramenta elétrica. Não utilize uma ferramenta elétrica se estiver cansado ou sob a influência de drogas, álcool ou medicamentos.** Um momento de desatenção durante a utilização de ferramentas elétricas pode resultar em lesões pessoais graves.
- **Use equipamento de proteção pessoal. Utilize sempre proteção para os olhos.** O equipamento de proteção, como máscaras para o pó, calçado de segurança antiderrapante, capacete ou proteção auricular, utilizado nas condições apropriadas, reduz a ocorrência de ferimentos pessoais.
- **Evite a colocação em funcionamento não intencional. Certifique-se de que o interruptor está na posição desligada (OFF) antes de ligar à alimentação e/ou à bateria, pegar ou transportar a ferramenta.** Transportar ferramentas elétricas com o dedo no interruptor ou ligar à alimentação ferramentas elétricas que têm o interruptor ligado (ON) são comportamentos propensos a acidentes.
- **Retire qualquer chave de ajuste ou aperto da ferramenta elétrica antes de ligá-la (ON).** Uma chave de ajuste ou aperto deixada numa peça rotativa da ferramenta elétrica pode resultar em ferimentos pessoais.
- **Não se debruce com a ferramenta se com isso perder o equilíbrio. Mantenha uma colocação de pés adequada e o equilíbrio em todos os momentos.** Isto permite um melhor controlo da ferramenta elétrica em situações inesperadas.
- **Vista roupa adequada. Não utilize roupa larga ou joias. Mantenha o cabelo, roupas e luvas fora do alcance das peças móveis.** As roupas largas, as joias ou o cabelo comprido podem ficar presos nas peças móveis.
- **Se forem fornecidos dispositivos para a ligação de sistemas de extração e recolha de pó, assegure-se de que estes são ligados e utilizados corretamente.** A utilização de um coletor de poeiras pode reduzir os perigos relacionados com o pó.
- **Não deixe que a familiarização ganha com a utilização frequente de ferramentas deixe com que fique complacente e ignore os princípios de segurança.** Uma ação descuidada pode causar ferimentos graves numa fração de segundos.

## Utilização e manutenção da ferramenta elétrica

- **Não force a ferramenta. Utilize a ferramenta elétrica correta na sua aplicação.** A ferramenta elétrica correta fará sempre um trabalho melhor e mais seguro à velocidade para que está concebida.
- **Não utilize a ferramenta elétrica se o interruptor não a ligar (ON) e desligar (OFF).** Uma ferramenta elétrica que não possa ser controlada com o interruptor é perigosa e tem de ser reparada.
- **Desligue a ficha da alimentação elétrica e/ou retire a bateria da ferramenta elétrica antes de fazer qualquer ajuste, mudar um acessório ou guardar as ferramentas elétricas.** Estas medidas de prevenção reduzem o risco de ligar a ferramenta elétrica acidentalmente.
- **Guarde as ferramentas elétricas que não estejam em utilização fora do alcance das crianças e não permita que pessoas não familiarizadas com a ferramenta elétrica ou as respetivas instruções operem a ferramenta.** As ferramentas elétricas são perigosas nas mãos de utilizadores sem formação profissional.
- **Mantenha as ferramentas elétricas em bom estado. Verifique se as peças móveis funcionam perfeitamente e não emperram, bem como se há peças quebradas ou danificadas que possam influenciar o funcionamento da ferramenta. Se a ferramenta elétrica estiver danificada, envie-a para reparação antes de a utilizar.** Muitos acidentes são causados por ferramentas elétricas em mau estado de conservação.
- **Mantenha as ferramentas de corte afiadas e limpas.** Ferramentas de corte com manutenção adequada e bem afiadas têm menos probabilidades de prender e são mais fáceis de controlar.
- **Utilize a ferramenta elétrica, os acessórios, e as pontas e brocas, etc., de acordo com estas instruções, levando em conta as condições de trabalho e as operações a realizar.** A utilização da ferramenta elétrica para fins não previstos pode resultar em situações perigosas.
- **Mantenha os punhos e as superfícies de pega secos, limpos e livres de óleo e gordura.** Os punhos escorregadios e as superfícies de pega não permitem um manuseamento e controlo seguros de situações inesperadas com a ferramenta.

## Utilização e Manutenção da Bateria

- **Recarregue a bateria apenas com o carregador especificado pelo fabricante.** Um carregador adequado para um tipo de bateria poderá causar um risco de incêndio quando utilizado com uma bateria diferente.
- **Utilize as ferramentas elétricas apenas com a bateria especificamente concebida para elas.** A utilização de outras baterias pode causar o risco de acidentes ou de incêndio.
- **Quando uma bateria não estiver a uso, mantenha-a afastada de objetos metálicos, tais como cliques, moedas, chaves, pregos, parafusos ou outros pequenos objetos metálicos que possam estabelecer a ligação entre os terminais.** Um curto-circuito entre os terminais da bateria pode causar queimaduras ou incêndios.
- **Em condições extremas, a bateria poderá verter líquido; evite o contacto com o líquido. Caso o contacto com o líquido ocorra acidentalmente, lave com água. Caso o líquido entre em contacto com os olhos, procure a ajuda de um médico.** O líquido emitido pela bateria pode causar irritação ou queimaduras.
- **Não utilize um pacote de bateria ou ferramenta que esteja danificada ou modificada.** Baterias danificadas ou modificadas podem apresentar um comportamento imprevisível resultando em incêndio, explosão ou risco de ferimento.
- **Não exponha a bateria ou a ferramenta a fogo ou temperatura excessiva.** A exposição a fogo ou temperaturas acima de 265 °F (130 °C) pode causar explosão.
- **Siga todas as instruções de carregamento e não carregue a bateria ou a ferramenta fora do intervalo de temperatura especificado nas instruções.** O carregamento incorreto ou a temperaturas fora do intervalo especificado pode danificar a bateria e aumentar o risco de incêndio.

## Serviço

- **A sua ferramenta elétrica deve ser reparada por um técnico qualificado, utilizando apenas peças sobresselentes idênticas.** Isso garante que a ferramenta elétrica se mantém segura.

## Informações de segurança específicas

### ⚠ AVISO

**Esta secção contém informações de segurança importantes específicas desta ferramenta.**

**Leia estas precauções cuidadosamente antes de utilizar ferramentas de prensagem para reduzir o risco de choque elétrico ou outros ferimentos graves.**

## GUARDE TODOS OS AVISOS E INSTRUÇÕES PARA REFERÊNCIA FUTURA!

Existe um compartimento na caixa de transporte da ferramenta para manter este manual juntamente com a ferramenta, para ser utilizado pelo operador.

## Segurança da ferramenta de prensagem

- **Mantenha as mãos e os dedos afastados dos acessórios de prensagem durante o ciclo de prensagem.** As mãos e os dedos podem ser esmagados, fraturados ou amputados caso fiquem presos entre o acessório ou entre os componentes e qualquer outro objeto.
  - **Nunca tente reparar os acessórios de prensagem danificados (mordentes, anel de prensagem, atuador, etc.). Elimine o acessório danificado completo.** Um acessório que foi soldado, moído, perfurado ou modificado de qualquer forma pode estilhaçar durante a prensagem resultando em ferimentos graves. Não substituir o acessório de prensagem completo pode resultar em falha dos componentes e ferimentos graves.
  - **São geradas forças significativas durante a utilização do produto, forças que podem partir ou projetar peças e provocar ferimentos.** Mantenha-se afastado durante a utilização e use equipamento de proteção adequado, incluindo proteção para os olhos.
  - **Utilize as Ferramentas de Prensagem RIDGID® apenas com os acessórios de Prensagem adequados da RIDGID ou aprovados pela RIDGID (mordentes, anéis de prensagem, atuadores, etc.)** Outras utilizações ou a modificação das Ferramentas de Prensagem para outras aplicações poderão danificar a ferramenta de prensagem, danificar os acessórios e/ou provocar ferimentos pessoais.
  - **Utilize a ferramenta, o acessório e as combinações de engaste adequados.** Combinações inadequadas podem resultar numa junta incompleta, o que aumenta o risco de fugas, danos no equipamento e ferimentos.
  - **Antes de utilizar uma Ferramenta de Prensagem RIDGID®, leia e compreenda:**
    - Este Manual do operador
    - As instruções do acessório
    - O manual da bateria/do carregador
    - As instruções de instalação do fabricante do acessório
    - As instruções de qualquer outro equipamento ou material utilizado com esta ferramenta
- O incumprimento de todos os avisos e instruções pode resultar em danos materiais e/ou acidentes graves.

## Informações de contacto da RIDGID®

Se tiver alguma pergunta relativamente a este produto RIDGID®:

- Contacte o seu distribuidor local RIDGID.
- Visite RIDGID.com para encontrar o seu ponto de contacto RIDGID.
- Contacte o Departamento de Assistência Técnica da Ridge Tool pelo endereço de correio eletrónico [rtctechservices@emerson.com](mailto:rtctechservices@emerson.com) ou, no caso dos E.U.A. e Canadá, ligue para (800) 519-3456.

## Descrição

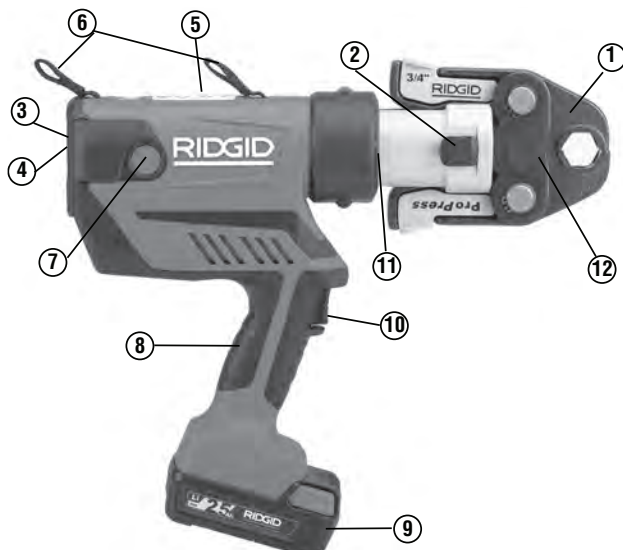
As ferramentas de prensagem RP 350 e RP 351 da RIDGID®, quando utilizadas com os acessórios apropriados, são concebidas para prensar mecanicamente os engastes nos tubos para criar um vedante estanque e permanente, como, por exemplo, nas aplicações de canalização, aquecimento, ar condicionado e refrigeração. Os acessórios estão também disponíveis para outras utilizações.

Quando o interruptor de funcionamento da ferramenta de prensagem for pressionado, um motor elétrico interno alimenta uma bomba hidráulica que envia fluido para o cilindro da ferramenta, deslocando o êmbolo para a frente e aplicando força ao engaste. O ciclo de prensagem demora aproximadamente 4 segundos. Assim que o ciclo iniciar para deformar um engaste, continuará automaticamente até à conclusão, mesmo que o interruptor de funcionamento seja libertado.

A ferramenta inclui um segundo modo de funcionamento ("Modo de Controlo") que pode ser ligado utilizando a app RIDGID Link. O Modo de Controlo permite que o engaste a ser engatado antes da prensagem para permitir a confirmação do alinhamento adequado do acessório, engaste e tubo.

As Luzes de Estado da Ferramenta indicam coisas como o estado da ferramenta, o estado da bateria e a manutenção necessária, ou temperatura inadequada. Uma luz de trabalho liga-se quando se pressiona o interruptor de funcionamento para iluminar a área de trabalho. A cabeça pode rodar-se 360° para um melhor acesso a espaços apertados.

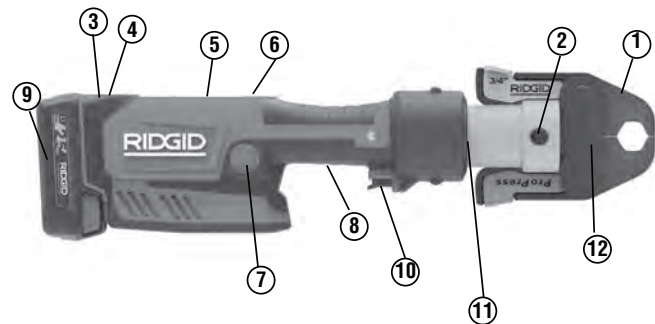
As ferramentas são fornecidas com laços de tecidos que podem utilizar-se com acessórios adequados, tais como tiras de ombro ou linhas de amarração.



**Figura 1 – Ferramenta de Prensagem RIDGID RP 350 e Mordente da Série Padrão**

As ferramentas de prensagem incluem tecnologia sem-fios Bluetooth®\*\* para permitir a ligação a smartphones e tablets. Ver a secção "Funções do Bluetooth (Transferências de dados Sem Fios)" para mais informações.

\* A marca da palavra e logótipos Bluetooth® são marcas comerciais registadas pela Bluetooth SIG, inc e qualquer utilização destas marcas pela Emerson Electric Co. está licenciada. Outras marcas comerciais e nomes comerciais são dos seus respetivos proprietários.



**Figura 2 – Ferramenta de Prensagem RIDGID RP 351 e Mordente da Série Padrão**

#	Descrição	
1	Conjunto de mordentes estilo tesoura	7 Botão de libertação de pressão (Lado mais distante da RP 351)
2	Cavilha de montagem do acessório	8 Punho
3	Luzes de estado da ferramenta	9 Bateria

4	Botão ON/OFF (ligar/desligar)	10	Interruptor Run (Funcionamento)
5	Etiqueta de aviso (RP 351 Parte inferior)	11	Luz de trabalho LED
6	Presilha de tecido	12	Placa lateral do mordente

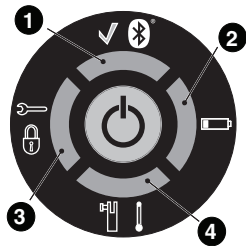


Figura 3 - Número de série da máquina - Dígitos com círculo indicam o ano e o mês de fabrico. (YY = ano, MM = mês).

Controlo	Marcação	Descrição
<b>Botão ON/OFF (ligar/desligar)</b>		Interruptor de alimentação principal da ferramenta (I = ON, O = OFF). ON (ligar): pressione o botão até a luz ligar. <i>Veja a Figura 5 – Luzes de estado da ferramenta.</i> OFF (desligar): pressione o botão até a luz se apagar. A ferramenta DESLIGAR-SE-Á automaticamente se não for utilizada durante dez (10) minutos.
<b>Interruptor Run (Funcionamento)</b>	—	<b>Ligar as luzes de trabalho:</b> Pressione ligeiramente o interruptor run (funcionamento). <b>Modo normal:</b> Pressione o interruptor run (funcionamento) para iniciar o ciclo de prensagem, liberte quando a ferramenta bloquear. O modo normal é a definição de fábrica. <b>Modo de controlo:</b> Pressione o interruptor run (funcionamento) para engatar o acessório da peça de trabalho. Faça os ajustes necessários. Pressione o interruptor novamente para iniciar o ciclo de prensagem, liberte quando a ferramenta bloquear. Após o bloqueio, a libertação do interruptor não para a ferramenta. Isto garante uma integridade da ligação de prensagem consistente e reproduzível. É possível alterar o modo com a app RIDGID Link, <i>ver secção Funções de Bluetooth.</i>
<b>Botão de libertação de pressão</b>		Permite que a ferramenta seja libertada sem concluir a prensagem. Se se utilizar, a ligação de prensagem não é concluída e deve ser repetida.
<b>Cavilha de montagem do acessório</b>	—	Fixa o acessório à ferramenta. Deve ser totalmente inserida para a ferramenta funcionar. <i>Ver Figura 6.</i>

Figura 4 – Tabela de Controlos





Número de Segmentos das Luzes (Luz Continuamente Acesa)				Descrição
1 ✓ Bluetooth	2 Bateria	3 Chave Trava	4 Chave de fenda Parafuso	
—	—	—	—	Ferramenta de prensagem desligada (OFF).
Verde	Verde	Verde	Verde	Botão ON (ligar) pressionado, luzes acesas 4 segundos no arranque, ferramenta no "Modo Normal".
Azul	Azul	Azul	Azul	Botão ON (ligar) pressionado, luzes acesas 4 segundos no arranque, ferramenta no "Modo de Controlo" - ver secção <i>Funções Bluetooth</i> para alterar o modo.
Verde	—	—	—	A ferramenta de prensagem está no Modo Normal, suspensão, ferramenta de prensagem pronta a funcionar.
Vermelha	Amarela	Amarela	Amarela	A ferramenta tem uma avaria. A ferramenta não funcionará. Retire e reinsira a bateria ou o adaptador CA. Se a luz ainda estiver acesa, execute a manutenção da ferramenta.
Vermelha	—	—	—	A ferramenta tem uma avaria. A ferramenta não funcionará. Retire e reinsira a bateria ou o adaptador CA. Se a luz vermelha ainda estiver acesa, execute a manutenção da ferramenta.
Amarela	—	Vermelha	Vermelha	Ferramenta e/ou bateria fora do intervalo de temperatura de especificação. A ferramenta não funcionará. Leve a ferramenta e a bateria para corrigir o intervalo da temperatura de funcionamento.
Amarela	—	—	Vermelha	A cavilha de montagem do acessório não está totalmente inserida. A ferramenta não funcionará. Insira a cavilha completamente. Se as luzes ainda estiverem acesas, execute a manutenção da ferramenta.
Amarela	Vermelha	—	—	Bateria fraca. A ferramenta não funcionará. Recarregue a bateria/insira uma bateria totalmente carregada.
Verde	Azul	Azul	Azul	Ligação Bluetooth estabelecida, suspensão, ferramenta de prensagem pronta a utilizar. Para mais informações, ver a secção em <i>Funções Bluetooth</i> .
		Roxo		Atualização do firmware a decorrer, não é possível utilizar a ferramenta durante a atualização.

**Figura 5 – Luzes de Estado da Ferramenta**



## Especificações

	Ferramenta de Prensagem de Pistola RP 350	Ferramenta de Prensagem Inline RP 351
Acessórios .....	RIDGID Série Padrão	RIDGID Série Padrão
Comprimento do Curso.....	1.57" (40 mm)	1.57" (40 mm)
Motor		
Classificação de tensão.....	18V CC	18V CC
Amperagem .....	23 A	23 A
Potência .....	480 Watts	480 Watts
Força do êmbolo .....	7,200 lbs. (32 kN)	7,200 lbs. (32 kN)
Rotação da cabeça .....	360°	360°
Ciclo de trabalho.....	3 Pressagem /min	3 Pressagem /min
Fonte de alimentação.....	Série RIDGID RB-18XX 18 V Bateria de íões de lítio ou Adaptador de alimentação RIDGID RPA 120/220 CA (Ver secção de equipamento opcional)	
Alcance do Bluetooth .....	33 pés (10 m)	33 pés. (10 m)
Humidade admissível.....	máximo 80%	máximo 80%
Intervalo da temperatura de funcionamento.....	15 °F a 122 °F (-10 °C a 50 °C)	15 °F a 122 °F (-10 °C a 50 °C)
Temperatura de armazenamento .....	32 °F a 113 °F (0 °C a 45 °C)	32 °F a 113 °F (0 °C a 45 °C)
Peso (sem bateria/acesório).....	7.83 lbs (3,55 kg)	7.83 lbs (3,55 kg)
Dimensões .....	11.3" x 11.0" x 3.1" 287 mm x 279 mm x 77 mm	15.7" x 4.65" x 3.1" 398 mm x 118 mm x 77 mm
Pressão Sonora (L <sub>PA</sub> )*.....	<74,5 dB(A), K=3 dB(A)	<74,5 dB(A), K=3 dB(A)
Vibração*.....	<1,13 m/s <sup>2</sup> , K=1,5	<1,13 m/s <sup>2</sup> , K=1,5

\* As medições de Som e Vibração são feitas em conformidade com um teste padronizado segundo a Norma EN 62481-1.

- Os níveis de vibração podem ser utilizados para comparação com outras ferramentas e para a avaliação preliminar da exposição.

- As emissões acústicas e de vibração podem variar consoante a sua localização e utilização específica destas ferramentas.

- Os níveis de exposição diária para som e vibração devem ser avaliados para cada aplicação e devem ser tomadas medidas de segurança, quando necessário. A avaliação dos níveis de exposição deve considerar o tempo em que uma ferramenta está desligada e não em utilização. Isto pode reduzir significativamente o nível de exposição ao longo do período de trabalho total.

## Equipamento padrão

Consulte o catálogo RIDGID para mais informações sobre o equipamento fornecido com os números de catálogo específicos da ferramenta.

NOTA! Acessórios da ferramenta de prensagem RIDGID são oferecidos em duas "séries"

- Série Padrão
- Série Compacta

Esta série de acessórios não é interpermutável. Os acessórios da série padrão apenas funcionarão com as ferramentas da série padrão (RP 350, RP 351, RP 342-XL, RP 340, RP 330, 320-E, CT-400). Os acessórios da série compacta apenas funcionarão com as ferramentas da série compacta (RP 240, RP 241, RP 200, RP 210, 100B).

**NOTA** A seleção de materiais e de métodos de ligação adequados é da responsabilidade do designer e/ou do instalador do sistema. Antes de se tentar qualquer instalação, deve ser concluída uma avaliação cuidadosa do ambiente de serviço específico, incluindo ambiente químico e temperatura do serviço. Consulte o fabricante do Sistema do Engaste de Prensagem relativamente a informação de seleção.

## Inspeção antes da colocação em funcionamento

### AVISO



**Diariamente, antes da utilização, inspecione a sua ferramenta de prensagem e corrija quaisquer problemas para reduzir o risco de ferimentos graves devido a choque elétrico, esmagamento, falha do acessório e outras causas e evitar danificar a ferramenta.**

1. Desligue a ferramenta e retire a bateria/adaptador CA da mesma.
2. Limpe qualquer óleo, lubrificante ou sujidade do equipamento, especialmente dos punhos e controlos. Isto facilita a inspeção e ajuda a impedir que a ferramenta ou os controlos escorreguem da mão.
3. Inspecione a ferramenta de prensagem relativamente a:
  - Montagem e manutenção correta e completa.
  - Existência de peças partidas, gastas, em falta, desalinhas ou coladas. Confirme que as presilhas de tecido estão em boas condições.

- O movimento suave da cavilha de montagem do acessório entre a posição totalmente aberta e totalmente fechada. A cavilha deve bloquear em cada posição. Confirme que o interruptor Run (Funcionamento) se desloca livremente e não se une nem cola.
- Presença e legibilidade do rótulo de aviso (ver Figura 6).
- Qualquer outra condição que possa impedir o funcionamento normal e seguro.

Não utilize a ferramenta de prensagem sem ter resolvido os problemas existentes.



Figura 6 - Etiqueta de Luzes/Aviso de Estado

4. Inspeção e faça a manutenção dos acessórios da ferramenta conforme as instruções. Retire o acessório da ferramenta. Confirme que os acessórios estão em boas condições e claramente marcados para utilização.
5. Inspeção e realize a manutenção de qualquer outro equipamento em utilização, segundo as respectivas instruções, de forma a assegurar que funciona corretamente.

## Configuração e funcionamento

### ⚠ AVISO



Mantenha as mãos e os dedos afastados do acessório da ferramenta durante o ciclo

de prensagem. Dedos e mãos podem ser esmagados, fraturados ou amputados no acessório, ferramenta, ou entre a ferramenta e o acessório, a peça de trabalho e outros objetos.

São geradas forças significativas durante a utilização do produto, forças que podem partir ou projetar peças e provocar ferimentos. Mantenha-se afastado durante a utilização e use equipamento de proteção adequado, incluindo proteção para os olhos.

Utilize a ferramenta, o acessório e as combinações de engaste adequados. As combinações inadequadas podem resultar numa união de prensagem, o que aumenta o risco de fugas, danos no equipamento e ferimentos.

## Siga a configuração e operação de forma a reduzir o risco de ferimentos por esmagamento e outras causas, e para prevenir danos na ferramenta.

1. Confirme a área de trabalho apropriada (Ver Avisos Gerais de Segurança da Ferramenta Elétrica). Trabalhe num local desimpedido, nivelado, estável e seco. Não utilize a ferramenta enquanto estiver na água.
2. Inspeção o trabalho a ser feito e determine a ferramenta RIDGID e o acessório RIDGID corretos para a aplicação conforme as suas especificações. A utilização de um equipamento incorreto para uma aplicação pode resultar em ferimentos, danos na ferramenta e ligações incompletas.
3. Certifique-se de que todo o equipamento foi inspecionado e configurado conforme as respetivas instruções.

## Instalar/desinstalar o acessório

1. Desligue a ferramenta e retire a bateria/adaptador CA da mesma.
2. Abra completamente a cavilha de montagem do acessório. Retire/volte a inserir o acessório apropriado (Figura 7).
3. Feche completamente a cavilha de montagem do acessório até este bloquear na posição fechada. A cavilha de montagem do acessório deve estar totalmente fechada para evitar danos na ferramenta durante a utilização. As luzes da ferramenta estarão acesas para indicar, ver Figura 5 para Luzes de estado da ferramenta.

NOTA! Não opere a ferramenta sem o acessório colocado pois isto pode danificar a ferramenta.



Figura 7 - Cavilha de montagem do acessório

## Preparar a ligação

**NOTA** Estas instruções são práticas generalizadas para vários tipos de acessórios da ferramenta de prensagem. Siga sempre as instruções específicas para o acessório da ferramenta de prensagem utilizado e as instruções de instalação específicas do fabricante para reduzir o risco de ligações de prensagem inadequadas ou danos extensos na propriedade.

1. Prepare a ligação de prensagem de acordo com as instruções do fabricante do engaste.

- Com as mãos secas, insira uma bateria completamente carregada ou adaptador CA na ferramenta. Se utilizar um adaptador de alimentação com cabo com um GFCI, o GFCI (RCD) deve ter uma corrente residual nominal de 30 mA ou inferior. Pressione o botão ON/OFF (ligar/desligar) uma vez para ligar a ferramenta. Todos os LED estarão acesos indicando que a ferramenta está pronta a utilizar. Ver a Figura 5 – Luzes de estado da ferramenta para qualquer outra luz.

### Preparar um acessório com mordentes estilo tesoura típicos

- Segure a ferramenta devidamente com ambas as mãos.



Figura 8 - Fixar a Ferramenta

- Aperte os braços dos mordentes para abrir os mordentes.
- Coloque os mordentes abertos à volta do engaste (Figura 9). Alinhe de forma correta o perfil de prensagem do mordente com o contorno do engaste, conforme especificado nas instruções de instalação do fabricante do engaste. Liberte os braços dos mordentes para os fechar à volta do engaste. Não suspenda o jogo de mordentes a partir do engaste. A ferramenta poderia cair inesperadamente e provocar ferimentos graves ou fatais.



Figura 9 – Colocar os mordentes estilo tesoura à volta do engaste

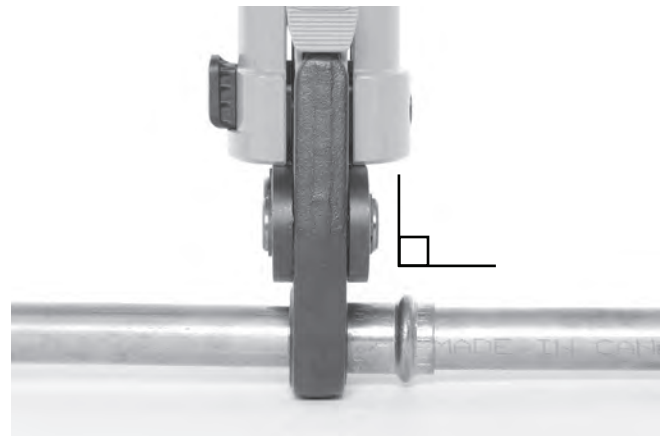


Figura 10 – Colocar os mordentes alinhados no engaste

- Confirme se o mordente está corretamente instalado e em esquadria com o engaste (Figura 10). Mantenha os dedos e as mãos afastados dos mordentes, para evitar ferimentos por esmagamento nos mordentes, ou entre os mordentes e as imediações.

**Modo normal:** pressione o interruptor run (funcionamento) (Figuras 1 & 2). Quando o ciclo da ferramenta iniciar e os rolos entrarem em contacto com os braços da garra, a ferramenta bloqueará e terminará automaticamente o ciclo. Após o bloqueio, a libertação do interruptor não para a ferramenta. Isto garante uma integridade da ligação de prensagem consistente e reproduzível.

**Modo de controlo:** pressione o interruptor run (funcionamento) (Figuras 1 & 2). Os mordentes engatarão no engaste mas não se fará uma ligação da prensagem. Faça os ajustes necessários. Pressione o interruptor run (funcionamento) novamente, a ferramenta bloqueará e terminará o ciclo automaticamente. Após o bloqueio, a libertação do interruptor não para a ferramenta. Isto garante uma integridade da ligação de prensagem consistente e reproduzível.

Se a ferramenta tiver de ser retirada antes de concluir uma ligação de prensagem, pressione o botão de libertação de prensagem (Figuras 1 & 2).

**NOTA** Sempre que se pressionar o botão de libertação, a ligação de prensagem NÃO está concluída, e o engaste deverá ser prensado novamente para garantir a conclusão. Se a ferramenta funcionar incorretamente durante a utilização, utilize este procedimento.

5. Liberte o interruptor de funcionamento.
6. Aperte os braços dos mordentes para abrir os mordentes.
7. Retire o mordente do engaste. Evite arestas afiadas que possam ter-se formado no engaste durante o processo de prensagem.
8. Quando a operação estiver concluída, liberte o botão de On/Off (ligar/desligar) uma vez para DESLIGAR a ferramenta. Retire a bateria ou o adaptador CA da ferramenta.

### Pressionar engaste A com atuador típico e pressionar conjunto de anel

1. Abrir anel e colocar em volta do engaste. Alinhe de forma correta o perfil de prensagem do anel com o contorno do engaste, conforme especificado nas instruções de instalação do fabricante do engaste. Liberte o anel para fechar em torno do engaste (Figura 11).
2. Confirme se o atuador adequado está devidamente instalado na ferramenta. Aperte os braços do atuador para abrir as respetivas pontas. Alinhe as pontas do atuador com os bolsos do anel. Liberte os braços do atuador e introduza completamente as pontas do atuador nos bolsos do anel (Figura 12). Uma ponta do atuador desalinhada em relação ao bolso do anel pode danificar o anel ou o atuador durante a prensagem. Não pendure a ferramenta e o atuador do anel de prensagem. A ferramenta poderia cair inesperadamente e provocar ferimentos graves ou fatais.



**Figura 11 – Instalar o Anel de Prensagem no Engaste**



**Figura 12 – Prender o Atuador no Anel de Prensagem**

3. Confirme se o anel está corretamente instalado e em esquadria com o engaste. Mantenha os dedos e as mãos afastados do atuador e do anel, para evitar ferimentos por esmagamento no acessório, ou entre o acessório e as imediações.

**Modo normal:** pressione o interruptor run (funcionamento) (Figuras 1 & 2). Quando o ciclo da ferramenta iniciar e os rolos entrarem em contacto com os braços da garra, a ferramenta bloqueará e terminará automaticamente o ciclo. Após o bloqueio, a libertação do interruptor não para a ferramenta. Isto garante uma integridade da ligação de prensagem consistente e reproduzível.

**Modo de controlo:** pressione o interruptor run (funcionamento) (Figuras 1 & 2). Os mordentes engatarão no engaste mas não se fará uma ligação da prensagem. Faça os ajustes necessários. Pressione o interruptor run (funcionamento) novamente, a ferramenta bloqueará e terminará o ciclo automaticamente. Após o bloqueio, a libertação do interruptor não para a ferramenta. Isto garante uma integridade da ligação de prensagem consistente e reproduzível.

4. Se a ferramenta tiver de ser retirada antes de concluir uma ligação de prensagem, pressione o botão de libertação de prensagem (Figuras 1 & 2).

**NOTA** Sempre que se pressionar o botão de libertação, a prensagem NÃO está concluída, e a ligação de prensagem deverá ser prensada novamente para garantir a conclusão. Se a ferramenta funcionar incorretamente durante a utilização, utilize este procedimento.

5. Liberte o interruptor de funcionamento.
6. Aperte os braços do atuador para abri-lo. Retire o atuador do engaste.
7. Retire o anel do engaste. Evite arestas afiadas que possam ter-se formado no engaste durante o processo de prensagem.
8. Quando a operação estiver concluída, liberte o botão de On/Off (ligar/desligar) uma vez para DESLIGAR a ferramenta. Retire a bateria ou o adaptador CA da ferramenta.



## Inspecionar a ligação prensada

1. Inspeccione o engaste prensado relativamente a:
  - Inserção completa do tubo no engaste.
  - Desalinhamento excessivo dos tubos. Um ligeiro desalinhamento numa ligação de prensagem é considerada normal.
  - Alinhamento incorreto do acessório com contorno do engaste. Engaste distorcido ou deformado.
  - Quaisquer outros problemas de acordo com o fabricante do engaste. Isto poderia incluir a remoção de um anel de controlo ou autocolante (utilizado para indicar que a ligação ainda não foi prensada).

Se detetar quaisquer problemas, retire o engaste e instale uma ligação de prensagem nova.
2. Teste a ligação de prensagem de acordo com as instruções do fabricante do conector, a prática comum e os códigos aplicáveis.

## Funções Bluetooth (transferência de dados sem fios)

As ferramentas de prensagem RIDGID® RP 350 e RP 351 incluem tecnologia sem fios Bluetooth®, que permite a transferência de dados sem fios para smartphones ou tablets (“dispositivos”) equipados devidamente, com sistemas operativos iOS ou Android.

1. Descarregue a aplicação RIDGID® Link adequada para o seu dispositivo em RIDGID.com/apps ou na Google Play Store ou na Apple App Store.
2. Quando a ferramenta estiver LIGADA, um dispositivo equipado com tecnologia sem fios Bluetooth pode detetar e emparelhar com a ferramenta de prensagem. Nas definições Bluetooth do seu dispositivo, selecione a ferramenta RIDGID pretendida. Consulte as instruções do seu dispositivo relativamente a informação específica sobre como ligar a tecnologia sem-fios via Bluetooth. Depois de ligado, as luzes de estado da ferramenta verde-azul-azul-azul estarão acesas.
 

Após o emparelhamento inicial, a maioria dos dispositivos ligará automaticamente as ferramentas quando a tecnologia sem-fios Bluetooth estiver ativa e no alcance se as definições do dispositivo estiverem configuradas para o fazer. As ferramentas de prensagem devem ser inferiores a 33 ft. (10 m) a partir do dispositivo a ser detetado. Qualquer obstáculo entre a ferramenta e o dispositivo pode reduzir o intervalo operacional.
3. Siga as instruções da app para utilização apropriada. O modo de funcionamento pode ser alterado através da app. A app também permite a monitorização dos ciclos da ferramenta.
4. A transferência de dados sem fios desliga-se quando a ferramenta de prensagem é desligada. Desligue o dispositivo sem fios Bluetooth para reduzir o esgotamento da bateria do dispositivo.

## Funcionamento em climas frios

À medida que a temperatura cai, o fluido hidráulico fica mais espesso e o desempenho da bateria piora. Para reduzir o risco de funcionamento inadequado, a RP 350 e a RP 351 não funcionarão fora do intervalo de temperatura especificado, conforme indicado pelas luzes de estado da ferramenta (*Figura 5*).

Quando as condições ambientais estiverem fora do intervalo de temperatura especificado, guarde a ferramenta e as baterias num espaço acondicionado até que estejam prontas a utilizar.

## Armazenamento

Retire a bateria ou o adaptador CA da ferramenta de prensagem. Guarde a ferramenta de prensagem na caixa. Evite guardar em ambientes extremamente quentes ou frios. A ferramenta não ligará se esta estiver fora do intervalo de especificação. Isto será indicado por luzes de estado da ferramenta. (*Ver Figura 5*)

**⚠ AVISO** Guarde a ferramenta num local seco, seguro e fechado, fora do alcance de crianças e pessoas não familiarizadas com a ferramenta de prensagem. A ferramenta é perigosa nas mãos de utilizadores sem formação profissional.

## Instruções de manutenção

### ⚠ AVISO

**Certifique-se que a ferramenta está desligada e a bateria ou o adaptador CA é retirado da ferramenta antes de executar a manutenção ou a fazer qualquer ajuste.**

## Limpeza e lubrificação

1. Limpe o exterior da ferramenta diariamente com um pano limpo e seco.
2. Inspeccione a cavilha de montagem do acessório e lubrifique a cavilha com lubrificante de silicone conforme necessário.
3. Verifique as molas de retorno nos acessórios em cada utilização. Os acessórios devem abrir e fechar livremente com apenas um esforço de dedos moderado.

## Assistência e reparação

### ⚠ AVISO

**Serviço ou reparação impróprios podem tornar a ferramenta de prensagem insegura de operar.**

A assistência técnica e a reparação das Ferramentas de prensagem RP 350 e RP 351 devem ser realizadas por um Centro de Assistência Independente para Ferramentas de Prensagem da RIDGID.

Para informações sobre o Centro de Assistência Independente Autorizado da RIDGID mais próximo, ou para questões sobre assistência e reparação, veja a secção *Informação de contacto* neste manual.



## Resolução de problemas

SINTOMA	CAUSAS POSSÍVEIS	SOLUÇÃO
A ferramenta não ligará quando o botão ON/OFF (ligar/desligar) é pressionado.	A bateria está completamente descarregada ou a bateria falhou.	Introduza uma bateria completamente carregada/recarregue a bateria.
	A bateria não está corretamente inserida no manípulo da ferramenta	Verifique se a bateria está completamente inserida.
	O adaptador CA não está corretamente inserido na ferramenta.	Insira corretamente o adaptador CA na ferramenta.
O acessório está bloqueado no engaste.	A ligação de prensagem não foi concluída com sucesso.	Pressione o botão de libertação de pressão para retirar os mordentes do engaste. Inspeccione e volte a prensar o engaste.
As ligações prensadas produzidas não estão completas.	Utilização de mordente errado para o tamanho do tubo ou os materiais.	Instale o acessório correto.
	A ferramenta não estava alinhada com o tubo.	Volte a fazer a ligação de prensagem com o novo engaste e tubo. Certifique-se que a ferramenta está alinhada com o tubo.
	O contorno do acessório não foi alinhado com o contorno do engaste.	Volte a fazer a junta com o tubo e os engaste novos. Certifique-se de que o contorno de prensagem do acessório está alinhado com o contorno do engaste.
	A ferramenta necessita de reparação.	Leve ao serviço.
Existe uma fuga de óleo da ferramenta.	Problemas de vedação ou mecânicos.	Leve ao serviço.
O motor funciona mas a ferramenta não completa um ciclo.	Nível de óleo baixo.	
A ferramenta para durante o funcionamento.	Nível de óleo baixo.	

Veja a Figura 5 – Luzes de estado da ferramenta

## Equipamento opcional

### ⚠ AVISO

Para reduzir o risco de ferimentos graves, utilize apenas equipamento especificamente concebido e recomendado para utilização com as Ferramentas de prensagem RP 350 e RP 351, como o listado abaixo.

## Pacotes de bateria e adaptador

N.º catálogo.	Descrição
56513	Bateria de iões de lítio RB-1825 18V 2.5 Ah
56518	Bateria de iões de lítio RB-1850 18V 5.0 Ah
44468	Adaptador de alimentação 120 CA - América do norte
43338	Adaptador de alimentação 220 CA - Europa
44823	Adaptador de alimentação 120 CA - China

## Carregadores e Cabos

Catálogo N.º		Região	Tipo de ficha
64383	Carregador RBC-30	América do Norte	A
56523	Carregador RBC-30	Europa	C
64388	Carregador RBC-30	China	A
64393	Carregador RBC-30	Austrália	I
64378	Carregador RBC-30	Japão	A
64398	Carregador RBC-30	Reino Unido	G
64173	Cabo do carregador RBC-30	América do Norte	A
64183	Cabo do carregador RBC-30	Europa	C

Para uma lista completa de equipamento RIDGID disponível para estas ferramentas, veja o Catálogo de Ferramentas Ridge on-line em [RIDGID.com](http://RIDGID.com) ou veja *Informações de contacto*.

## Eliminação

Determinadas peças destas ferramentas contêm materiais valiosos e podem ser recicladas. Existem empresas especializadas em reciclagem que podem ser encontradas localmente. Elimine os componentes em conformidade com todos os regulamentos aplicáveis. Contacte as autoridades locais de gestão dos resíduos para mais informações.



**Nos países da CE:** Não elimine o equipamento elétrico juntamente com resíduos domésticos!

De acordo com a Diretiva Europeia 2012/-19/UE relativa aos resíduos de equipamentos elétricos e eletrónicos e a sua transposição para a legislação nacional, o equipamento elétrico em final de vida útil deve ser recolhido em separado e

eliminado de forma ambientalmente correta.

## Compatibilidade Eletromagnética (EMC)

O termo compatibilidade eletromagnética significa a capacidade do produto funcionar sem problemas num ambiente onde a radiação eletromagnética e as descargas eletrostáticas estão presentes e não causar interferência eletromagnética noutro equipamento.

**NOTA** Estas ferramentas estão em conformidade com todas as normas CEM. Contudo, a possibilidade destes causarem interferência noutros aparelhos não pode ser excluída. Todas as normas relacionadas com a CEM que tenham sido testadas são referidas no documento técnico da ferramenta.

## Declaração FCC/ICES

Este dispositivo está em conformidade com a Parte 15 das Regras da FCC. O funcionamento está sujeito às seguintes condições:

1. Este dispositivo não pode causar interferência prejudicial.
2. Este dispositivo tem de aceitar qualquer interferência recebida, incluindo interferência que possa causar operação indesejada.

As modificações não aprovadas expressamente por esta empresa podem anular o direito de o utilizador usar o equipamento.

Este equipamento foi testado e encontra-se em conformidade com os limites para um dispositivo digital da Classe A, de acordo com a parte 15 das Regras FCC. Estes limites foram concebidos para fornecer proteção razoável contra interferências nocivas quando o equipamento é operado ambiente comercial. Este equipamento gera, utiliza e pode emitir energia de radiofrequência e, se não for instalado e utilizado de acordo com o manual de instruções, pode causar interferência prejudicial em comunicações por rádio. O funcionamento deste equipamento numa área residencial pode provocar interferência nociva e, caso aconteça, o utilizador terá de corrigir a interferência por si mesmo.

Este produto está em conformidade com as especificações canadianas ICES-003 da Classe A. *Consulte a etiqueta da Declaração na ferramenta.*

# RP 350/RP 351

## Pressverktyg



### **⚠ VARNING!**

Läs den här bruksanvisningen noggrant innan du använder utrustningen. Om du använder utrustningen utan att ha förstått eller följt innehållet i bruksanvisningen finns risk för elchock, brand och/eller personsador.

#### **RP 350/RP 351 Pressverktyg**

Anteckna serienumret nedan och spara produktens serienummer som sitter på märkplåten.

Serienr

## Innehåll

<b>Registreringsformulär för maskin med serienummer</b> .....	113
<b>Säkerhetssymboler/symboler</b> .....	115
<b>Allmänna säkerhetsvarningar för motordrivna verktyg</b> .....	115
Säkerhet på arbetsområdet .....	115
Elsäkerhet .....	115
Personsäkerhet .....	116
Användning och skötsel av motordrivna verktyg .....	116
Användning och skötsel av batteridrivna verktyg .....	117
Service .....	117
<b>Särskild säkerhetsinformation</b> .....	117
Säkerhet för pressverktyget .....	117
<b>RIDGID®-kontaktinformation</b> .....	117
<b>Beskrivning</b> .....	118
<b>Specifikationer</b> .....	120
Standardutrustning .....	121
<b>Inspektion före användning</b> .....	121
<b>Inställning och användning</b> .....	122
Ta bort/installera ett redskap .....	122
Förbereda anslutning .....	122
Pressa ett beslag med typiska saxkäftar .....	123
Pressa ett beslag med en typisk aktuator och pressringsats .....	124
Inspektera pressanslutningen .....	124
Bluetooth-funktioner (trådlös dataöverföring) .....	125
Användning i kallt väder .....	125
<b>Förvaring</b> .....	125
<b>Anvisningar för underhåll</b> .....	125
Rengöring och smörjning .....	125
<b>Service och reparationer</b> .....	125
<b>Felsökning</b> .....	126
<b>Extrautrustning</b> .....	127
<b>Bortskaffande</b> .....	127
<b>Elektromagnetisk kompatibilitet (EMC)</b> .....	128
<b>FCC/ICES-meddelande</b> .....	128
<b>EG-försäkran om överensstämmelse</b> .....	På insidan av omslagets baksida
<b>Livstidsgaranti</b> .....	Omslagets baksida

\*Översättning av originalbruksanvisning



## Säkerhetssymboler/symboler

I den här bruksanvisningen och på produkten används säkerhetssymboler och signalord för att kommunicera viktig säkerhetsinformation. Det här avsnittet syftar till att förbättra förståelsen av dessa signalord och symboler.



Detta är en säkerhetssymbol. Den används för att göra dig uppmärksam på risker för personskador. Rätta dig efter alla säkerhetsföreskrifter som följer efter denna symbol, för att undvika personskador eller dödsfall.



**FARA** FARA betecknar en farlig situation som kommer att orsaka dödsfall eller allvarliga personskador, om situationen inte undviks.



**VARNING** VARNING betecknar en farlig situation som kan orsaka dödsfall eller allvarliga personskador, om situationen inte undviks.



**SE UPP** SE UPP betecknar en farlig situation som kan orsaka lindriga eller medelsvåra personskador, om situationen inte undviks.



**OBS** OBS betecknar information som avser skydd av egendom.



Den här symbolen betyder att bruksanvisningen ska läsas noggrant innan utrustningen används. Bruksanvisningen innehåller viktig information om säker och korrekt användning av utrustningen.



Den här symbolen visar att skyddsglasögon med sidoskydd eller goggles alltid ska bäras när utrustningen används, för att minska risken för ögonskador.



Den här symbolen visar att det finns risk för krosskador på händer, fingrar eller andra kroppsdelar.



Den här symbolen betecknar risk för elchock.



Den här symbolen visar att produkten endast är avsedd för inomhusanvändning.



Den här symbolen visar att produkten är Klass II-utrustning.



Symbolen indikerar att det här är elektrisk utrustning som inte ska kasseras med hushållsavfallet. *De avsnittet "Bortskaffande".*



Den här symbolen indikerar att det här är elektrisk utrustning som uppfyller kraven i tillämpliga EG-direktiv.



Den här symbolen indikerar produktens tillverkningsår.

## Allmänna säkerhetsvarningar för motordrivna verktyg\*

### ⚠ VARNING

**Läs alla säkerhetsvarningar, anvisningar, illustrationer och specifikationer som medföljer det här motordrivna verktyget. Om du använder utrustningen utan att förstå eller följa anvisningarna nedan finns risk för elstöt, brand och/eller allvarliga personskador.**

### SPARA ALLA VARNINGAR OCH ANVISNINGAR SOM REFERENS I FRAMTIDEN!

Termen "motordrivna verktyg" i varningstexterna avser ett nätdrivet motordrivna verktyg (med sladd) eller ett batteridrivna motordrivna verktyg (sladdlöst).

### Säkerhet på arbetsområdet

- **Håll arbetsområdet städat och väl upplyst.** Stökiga eller mörka områden gör att olyckor inträffar lättare.

- **Använd inte motordrivna verktyg i omgivningar med explosiv atmosfär, till exempel i närheten av brandfarliga vätskor, gaser eller damm.** Motordrivna verktyg kan avge gnistor som kan antända dammet eller ångorna.
- **Håll barn och kringstående på behörigt avstånd medan du använder ett motordrivna verktyg.** Distractioner kan få dig att tappa kontrollen.

### Elsäkerhet

- **Motordrivna verktygs elkontakter måste passa i motsvarande uttag. Du får aldrig modifiera kontakten på något sätt. Använd inga adapterkontakter tillsammans med jordade motordrivna verktyg.** Icke modifierade stickproppar och matchande uttag minskar risken för elstöt.
- **Undvik kroppskontakt med jordade ytor som t.ex. rör, värmeelement, spisar och kylskåp.** Risken för elchock ökar om din kropp är jordad.

\*Texten i avsnittet Allmänna säkerhetsvarningar för motordrivna verktyg i den här bruksanvisningen är ordagrann, enligt krav, från tillämplig standard UL/CSA 62841-1. Det här avsnittet innehåller allmänna säkerhetsrutiner för många olika typer av motordrivna verktyg. Alla föreskrifter gäller inte för alla verktyg, och vissa gäller inte för det här verktyget.

- **Utsätt inte motordrivna verktyg för regn eller väta.** Om vatten kommer in i ett motordrivet verktyg ökar risken för elchock.
- **Misshandla inte kabeln. Använd aldrig kabeln till att bära eller dra det motordrivna verktyget. Håll kabeln på avstånd från värme, olja, vassa kanter och rörliga delar.** Skadade eller ihoptrasslade kablar ökar risken för elstötar.
- **När ett motordrivet verktyg används utomhus ska du använda en förlängningskabel som är avsedd för utomhusanvändning.** Användning av en kabel som är lämplig för utomhusanvändning minskar risken för elchock.
- **Använd en krets med jordfelsbrytare om ett motordrivet verktyg måste användas på en fuktig plats.** En jordfelsbrytare minskar risken för elchock.

## Personsäkerhet

- **Var uppmärksam, ha uppsikt över det du gör, och använd sunt förnuft när du använder ett motordrivet verktyg. Använd inte ett motordrivet verktyg om du är trött eller påverkad av mediciner, alkohol eller annat.** Ett enda ouppmärksam ögonblick vid användning av verktyg kan leda till allvarliga personskador.
- **Använd personlig skyddsutrustning. Bär alltid ögonskydd.** Skyddsutrustning som ansiktsmasker, halkfria skyddsskor, hjälm eller hörselskydd minskar risken för personskador.
- **Förhindra oavsiktliga starter. Se till att strömställaren är i läge AV innan du ansluter till strömkällan och/eller batteripaketet, plockar upp eller bär verktyget.** Att bära motordrivna verktyg med fingret på strömställaren eller att strömsätta motordrivna verktyg som har strömställaren PÅ ökar risken för olyckor.
- **Ta bort alla justeringsverktyg och skruvnycklar innan du sätter ett motordrivet verktyg i läge PÅ.** Ett verktyg eller en nyckel som går emot en roterande del av det motordrivna verktyget kan orsaka personskador.
- **Sträck dig inte för långt. Stå alltid stadigt och balanserat.** Då har du bättre kontroll över maskinen vid oväntade situationer.
- **Använd lämpliga kläder. Bär inte löst sittande kläder eller smycken. Håll hår, kläder och handskar på behörigt avstånd från rörliga delar.** Löst sittande kläder, smycken och långt hår kan fastna i rörliga delar.
- **Om det finns utrustning för dammsug och dammuppsamling måste sådan utrustning vara ordentligt ansluten och användas på rätt sätt.** Användning av dammsug kan minska dammrelaterade risker.
- **Var alltid uppmärksam, överskatta inte din egen erfarenhet och följ alltid alla säkerhetsprinciper.** En slarvig åtgärd kan orsaka personskada på bråkdelen av en sekund.

## Användning och skötsel av motordrivna verktyg

- **Använd inte överdriven kraft. Använd rätt motordrivet verktyg för din tillämpning.** Rätt motordrivet verktyg utför uppgiften bättre och säkrare vid den hastighet som det är konstruerat för.
- **Använd inte det motordrivna verktyget om PÅ/AV-brytaren inte fungerar.** Motordrivna verktyg där omkopplaren inte fungerar är farliga, och måste repareras.
- **Koppla ur kontakten från strömkällan och/eller ta bort det motordrivna verktyget innan du utför några justeringar, byter några tillbehör, eller förvarar några motordrivna verktyg.** Sådana förebyggande säkerhetsåtgärder minskar risken för att det motordrivna verktyget ska startas oavsiktligt.
- **Förvara motordrivna verktyg som inte används utom räckhåll från barn. Personer som inte är vana vid motordrivna verktyg och som inte har läst den här bruksanvisningen får inte använda verktyget.** Motordrivna verktyg är farliga i händerna på utbildade användare.
- **Utför underhåll på motordrivna verktyg. Kontrollera om det finns några felinställda eller kärvande rörliga delar, om några delar har gått sönder eller något annat tillstånd som kan påverka verktygets drift. Om ett motordrivet verktyg är skadat måste det repareras före användning.** Många olyckor orsakas av dåligt underhållna motordrivna verktyg.
- **Håll alla kapverktyg vassa och rena.** Rätt underhållna skärande verktyg med vassa skärande eggar kärvar inte lika lätt och är lättare att kontrollera.
- **Använd det motordrivna verktyget, tillbehören och bitarna osv. i enlighet med dessa anvisningar, med hänsyn tagen till arbetsförhållandena och det arbete som ska utföras.** Användning av motordrivna verktyg i andra syften än de avsedda kan resultera i en farlig situation.
- **Håll handtagen och greppytorna torra, rena och fettfria.** Hala handtag och grippytor gör hanteringen osäker och du kanske inte kan kontrollera verktyget vid oväntade situationer.

## Användning och skötsel av batteridrivna verktyg

- **Batterierna får bara laddas med den laddare som tillverkaren angivit.** En laddare som bara passar en typ av batterier kan orsaka brandrisk vid användning tillsammans med ett annat batteri.
- **Utrustningen får endast användas med specialkonstruerade batterier.** Användning av andra batterier kan innebära risk för personskador och brand.
- **När batterier inte används ska de hållas på avstånd från andra metallföremål som gem, mynt, nycklar, spikar, skruvar eller andra små metallföremål som kan skapa en anslutning från en punkt till en annan.** Kortslutning av batteriernas poler kan orsaka brännskador eller brand.
- **Om batteriet missbrukas kan vätska sprutas ut – undvik kontakt. Vid oavsiktlig kontakt ska du skölja med vatten. Sök läkare om du får vätska i ögonen.** Vätska som sprutas ut från batteriet kan orsaka irritation eller brännskador.
- **Använd inte ett batteripaket eller ett verktyg som är skadat eller modifierat.** Skadade eller modifierade batterier kan uppvisa oväntat beteende som kan orsaka brand, explosioner eller risk för skador.
- **Exponera inte batteripaket eller verktyg för brand eller höga temperaturer.** Exponering för brand eller temperaturer över 265 °F (130 °C) kan orsaka explosioner.
- **Följ alla laddningsanvisningar och ladda eller förvara inte batteriet eller verktyget vid temperaturer utanför det temperaturintervall som anges i anvisningarna.** Felaktig laddning eller vid temperaturer utanför det angivna området kan skada batteriet och öka risken för brand.

## Service

- **Service på det motordrivna verktyget ska utföras av en behörig reparatör och eventuella reservdelar måste vara identiska originaldelar.** Detta ser till att det motordrivna verktygets säkerhet hålls intakt.

## Särskild säkerhetsinformation

### ⚠ VARNING

Det här avsnittet innehåller viktig säkerhetsinformation som gäller specifikt för det här verktyget.

Läs dessa försiktighetsåtgärder noggrant innan du använder pressverktygen, så att du minskar risken för elstöt eller andra allvarliga personskador.

**SPARA ALLA VARNINGAR OCH ANVISNINGAR SOM REFERENS I FRAMTIDEN!**

I verktygsväskan finns ett särskilt utrymme för bruksanvisningen. Förvara bruksanvisningen tillsammans med verktyget, så att operatören alltid har tillgång till den.

## Säkerhet för pressverktyget

- **Håll fingrar och händer på avstånd från pressredskap under presscykeln.** Det finns risk för krosskador, frakturer eller amputation på fingrar och händer om de fastnar i redskapet eller mellan komponenterna och något annat föremål.
- **Försök aldrig att reparera skadade pressredskap (käftar, pressring, aktuator osv.). Kassera hela det skadade redskapet.** Ett redskap som har svetsats, slipats, borrats eller modifierats på något vis kan spricka under pressning och orsaka allvarliga skador. Om inte hela pressredskapet byts kan det leda till komponenthaveri och allvarliga kroppsskador.
- **Stora krafter genereras när produkten används, och dessa krafter kan bryta loss eller kasta iväg detaljer och orsaka personskador.** Stå på behörigt avstånd under användning och bär alltid lämplig skyddsutrustning, även ögonskydd.
- **Använd endast RIDGID® pressverktyg med lämpliga RIDGID eller RIDGID-godkända pressredskap (käftar, pressringar, aktuatorer osv.).** Andra användningar eller modifiering av pressverktygen för andra tillämpningar kan skada pressverktyget, skada fästen och/eller orsaka personskador.
- **Använd korrekta verktygs-, redskaps- och anslutningskombinationer.** Felaktiga kombinationer kan leda till en ofullständig fog, vilket ökar risken för läckor, utrustningsskador och kroppsskador.
- **Innan du använder ett RIDGID®-pressverktyg måste du ha läst och förstått:**

- Den här bruksanvisningen
- Anvisningarna för redskapet
- Bruksanvisningen för batteriet/laddaren
- Beslagstillverkarens monteringsanvisningar
- Anvisningarna för all annan utrustning eller material som används tillsammans med det här verktyget.

Om du inte följer alla anvisningar och varningar finns risk för allvarliga personskador eller skador på egendom.

## RIDGID®-kontaktinformation

Om du har någon fråga om den här RIDGID®-produkten:

- Kontakta närmaste RIDGID-distributör.
- Besök RIDGID.com för uppgift om närmaste RIDGID-representant.

- Kontakta Ridge Tool Technical Service Department på [rtctechservices@emerson.com](mailto:rtctechservices@emerson.com). Om du befinner dig i USA eller Kanada ringer du (800) 519-3456.

## Beskrivning

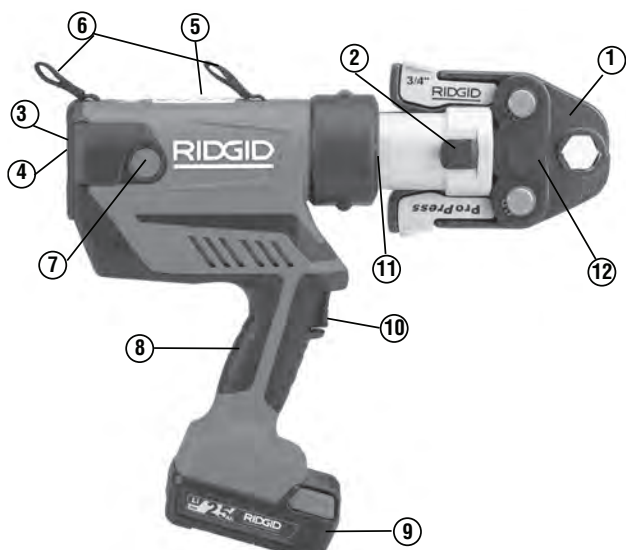
Pressverktygen RIDGID® RP 350 och RP 351 tillsammans med lämpliga tillbehör är utformade för att mekaniskt pressa beslag på rör för att skapa vattentäta och permanenta tätningar, t.ex. för rörmokeri-, värme-, ventilations- och kyltillämpningar. Det finns även redskap för andra användningar.

När avtryckaren på pressverktyget trycks in börjar en intern elmotor driva en hydraulpump som skickar vätska till verktygets cylinder och flyttar tryckkolven framåt och tillämpar kraft på redskapet, vilket pressar anslutningen. Presscykeln tar cirka 4 sekunder. När cykeln börjar deformera en anslutning fortsätter den automatiskt tills den har slutförts, även om avtryckaren släpps.

Verktyget inkluderar ett andra driftläge ("kontrolläge") som kan slås på med RIDGID Link-appen. I kontrolläget kan anslutningen aktiveras före pressning för att tillåta bekräftelse av korrekt inriktning av redskapet, anslutningen och slangen.

Verktygsstatuslamporna indikerar saker som verktygsstatus, batteristatus, underhållsbehov eller felaktig temperatur. En arbetslampa tänds när avtryckaren trycks in för att lysa upp arbetsområdet. Huvudet kan roteras 360° för bättre åtkomst i trånga utrymmen.

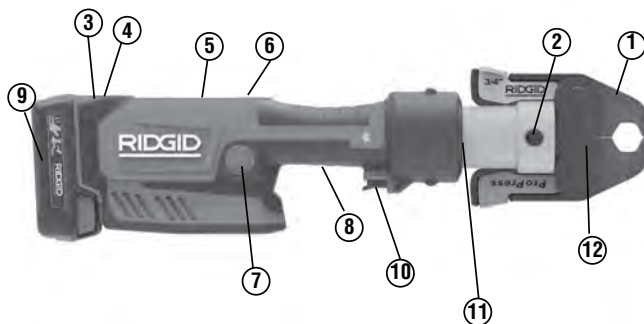
Verktygen levereras med tygöglor som kan användas med lämpliga redskap som axelremmar eller upphängningslinor.



**Figur 1 – RIDGID RP 350 Pressverktyg och Standard Series-käft**

Pressverktygen innefattar trådlös Bluetooth®-teknik\* för att möjliggöra anslutning till smarttelefoner och surfplattor. *Läs mer i avsnittet "Bluetooth-funktioner (trådlös dataöverföring)".*

\* Bluetooth®-ordmärket och -logotyperna är registrerade varumärken som tillhör Bluetooth SIG, inc och all användning av sådana märken av Emerson Electric Co. sker under licens. Andra varumärken och handelsnamn tillhör respektive ägare.



**Figur 2 – RIDGID RP 351 Pressverktyg och Standard Series-käft**

#	Beskrivning
1	Käftsats i saxstil
2	Redskapets monteringsstift
3	Verktögsstatuslampor
4	PÅ/AV-knapp
5	Varningsskylt (RP 351 Undersida)
6	Tygögla
7	Tryckavlastningsknapp (RP 351 bortsida)
8	Handtag
9	Batteri
10	Körreglage (Run)
11	Arbetslampa (lysdiod)
12	Käftens sidoplatå

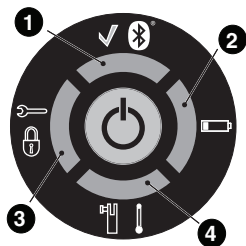


Figur 3 – Maskinens serienummer – de inringade siffrorna anger år och månad för tillverkningen. (YY = år, MM = månad).

Styrning	Märkning	Beskrivning
PÅ/AV-knapp		Verktygets huvudströmbrytare. (I = PÅ, O = AV). PÅ: Tryck på knappen tills lampan tänds. <i>Se Figur 5 – verktygsstatuslampor.</i> AV: Håll in knappen tills lampan släcks. Verktyget stängs av automatiskt om det inte används på tio (10) minuter.
Körreglage (Run)	–	<b>Slå på arbetsbelysningen:</b> Tryck in avtryckaren lätt. <b>Normalt läge:</b> Tryck in avtryckaren för att starta presscykeln och släpp när verktyget låses i läge. Normalläget är fabriksinställningen. <b>Kontrolläge:</b> Tryck in avtryckaren för att fästa redskapet på arbetsstycket. Gör justeringar efter behov. Tryck på avtryckaren igen för att starta presscykeln och släpp när verktyget låses i läge. Att släppa brytaren stoppar inte verktyget när det väl har låsts i läge. Detta säkerställer konsekvent, upprepbar hållbarhet hos pressanslutningarna. Läget kan ändras med RIDGID Link-appen, <i>se avsnittet om Bluetooth-funktioner.</i>
Tryckavlastningsknapp		Gör att verktyget kan frigöras utan att slutföra pressningen. Om den används är pressanslutningen inte slutförd och måste upprepas.
Redskapets monteringsstift	–	Håller redskapet på verktyget. Måste sättas i helt för att verktyget ska fungera. <i>Se Figur 6.</i>

Figur 4 – Reglagetabell





Lampsegmentets nummer (Lampan på hela tiden)				Beskrivning
1 ✓ Bluetooth	2 [Battery]	3 [Lock]	4 [Temp/Warning]	
–	–	–	–	Pressverktyg av (AV).
Grön	Grön	Grön	Grön	PÅ-knappen intryckt, lamporna på i 4 sekunder vid start, verktyget i "normalläge".
Blå	Blå	Blå	Blå	PÅ-knappen intryckt, lamporna på i 4 sekunder vid start, verktyget i "kontrolläge" – se avsnittet <i>Bluetooth-funktioner</i> för att ändra läge.
Grön	–	–	–	Pressverktyget är i normalt läge, standby, pressverktyget klart att användas.
Röd	Gul	Gul	Gul	Fel på verktyget. Verktyget fungerar inte. Ta bort och sätt tillbaka batteriet eller växelströmsadaptorn. Om lampan fortfarande lyser, lämna in verktyget på service.
Röd	–	–	–	Fel på verktyget. Verktyget fungerar inte. Ta bort och sätt tillbaka batteriet eller växelströmsadaptorn. Om den röda lampan fortfarande lyser, lämna in verktyget på service.
Gul	–	Röd	Röd	Verktyg och/eller batteri utanför angivet temperaturområde. Verktyget fungerar inte. För verktyget och batteriet till rätt drifttemperaturområde.
Gul	–	–	Röd	Redskapets fäststift är inte helt isatt. Verktyget fungerar inte. Sätt i stiftet hela vägen. Om lamporna fortfarande lyser, lämna in verktyget på service.
Gul	Röd	–	–	Låg batteriladdning. Verktyget fungerar inte. Ladda batteriet/sätt i ett fulladdat batteri.
Grön	Blå	Blå	Blå	Bluetooth-anslutning etablerad, standby, pressverktyget klart att använda – För ytterligare information, se avsnittet om <i>Bluetooth-funktioner</i> .
		Lila		Uppdatering av fast programvara pågår. Verktyget kan inte användas under uppdatering.

**Figur 5 – Verktygsstatuslampor**

## Specifikationer

	<b>RP 350 Pistolpressverktyg</b>	<b>RP 351 Rakt pressverktyg</b>
Redskap.....	RIDGID Standardserie	RIDGID standardserie
Slaglängd.....	1.57 tum (40 mm)	1.57 tum (40 mm)
Motor		
Spänning.....	18 V DC märkspänning	18 V DC märkspänning
Strömstyrka.....	23 A	23 A
Effekt .....	480 watt	480 watt
Tryckkolvsstyrka.....	7.200 lbs. (32 kN)	7.200 lbs. (32 kN)
Huvudrotation .....	360°	360°
Arbetscykel.....	3 Press /min	3 Press /min
Strömförsörjning .....	RIDGID RB-18XX Series 18 V litiumjonbatteri eller RIDGID RPA 120/220 AC-nätadapter (Se avsnittet <i>Tillvalsutrustning</i> )	
Bluetooth-räckvidd .....	33 ft. (10 m)	33 ft. (10 m)
Tillåten luftfuktighet .....	80 % maximalt	80 % maximalt

Drifttemperaturområde .....	15 °F till 122 °F (-10 °C till 50 °C)	15 °F till 122 °F (-10 °C till 50 °C)
Förvaringstemperatur .....	32° F till 113° F (0 °C till 45 °C)	32° F till 113° F (0 °C till 45 °C)
Vikt (utan batteri/redskap) .....	7.83 lbs (3,55 kg)	7.83 lbs (3,55 kg)
Mått .....	11.3" x 11.0" x 3.1"	15.7" x 4.65" x 3.1"
	287 mm x 279 mm x 77 mm	398 mm x 118 mm x 77 mm
Ljudtryck (L <sub>PA</sub> )* .....	<74,5 dB(A), K=3 dB(A)	<74,5 dB(A), K=3 dB(A)
Vibrationer* .....	<1,13 m/s <sup>2</sup> , K=1.5	<1,13 m/s <sup>2</sup> , K=1,5

\* Ljud- och vibrationsmått mäts i enlighet med ett standardiserat test enligt standard EN 62481-1.

- Vibrationsnivåerna kan användas för jämförelse med andra verktyg och för preliminär bedömning av exponeringen.
- Ljud- och vibrationsutsläppen kan variera beroende på platsen och den specifika användningen av de här verktygen.

## Standardutrustning

Se RIDGID-katalogen för uppgifter om levererad utrustning med specifika katalognummer.

OBS! RIDGID-pressverktygets redskap erbjuds i två serier

- Standardserien
- Kompaktserien

Dessa redskapsserier är inte utbytbara. Standardseriens redskap fungerar endast med standardseriens verktyg (RP 350, RP 351, RP 342-XL, RP 340, RP 330, 320-E, CT-400). Kompaktseriens redskap fungerar endast med kompaktseriens verktyg (RP 240, RP 241, RP 200, RP 210, 100B).

**OBS** Val av lämpliga material och fogningsmetoder är systemkonstruktörens och/eller installatörens ansvar. Innan du försöker installera bör du utföra en noggrann utvärdering av den specifika servicemiljön, inklusive den kemiska miljön och servicetemperaturen. Kontakta presssystemtillverkaren för att få information om urval.

## Inspektion före användning

### ⚠ VARNING



**Kontrollera pressverktyget dagligen före varje användningstillfälle och åtgärda eventuella problem för att minska risken för allvarliga**

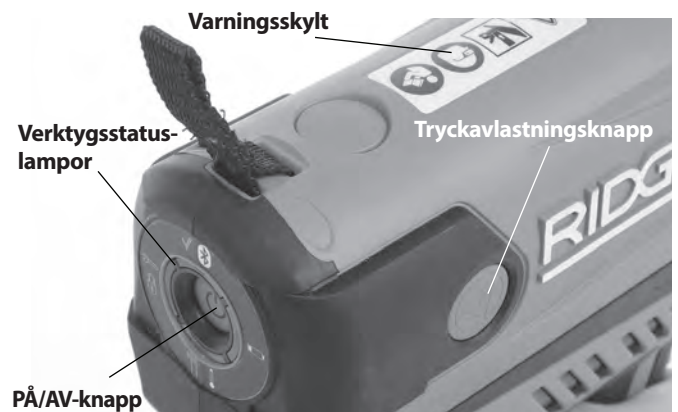
**personskador från elstötar, krosskador, redskapsfel eller andra orsaker och för att förhindra skador på verktyget.**

1. Stäng av verktyget och ta ur batteriet/AC-adaptorn ur verktyget.
2. Rengör olja, fett och smuts från gängningsmaskinen, inklusive handtag och reglage. Detta underlättar inspektionen och förhindrar att verktyget eller reglagen glider ur handen vid användningen.

3. Inspektera pressverktyget avseende:

- Korrekt montering, underhåll och fullständighet.
- Trasiga, slitna, saknade, felinställda eller kärvande delar. Bekräfta att textilslingorna är i gott skick.
- Smidig borttagning av redskapsfäststiftet mellan helt öppet och helt stängt läge. Stiftet ska låsa i varje läge. Bekräfta att körreglaget rör sig fritt och inte kärvar eller fastnar.
- Att varningsetiketten sitter på plats och går att läsa (se Figur 6).
- Alla andra tillstånd som kan förhindra säker och normal drift.

Använd inte pressverktyget förrän problemen har reparerats.



Figur 6 – Statuslampor/varningsdekal

4. Inspektera och underhåll redskapsfästen enligt deras instruktioner. Ta bort redskapet från verktyget. Bekräfta att redskapen är i gott skick och tydligt märkta efter hur de ska användas.
5. Utför inspektion och underhåll av all annan utrustning enligt anvisningarna och kontrollera att allt fungerar korrekt.

## Inställning och användning

### ⚠ VARNING



Håll fingrar och händer på avstånd från pressredskap under presscykeln. Fingrar eller händer kan krossas, brytas eller amputeras i redskapet, verktyget, mellan verktygshuvudet och redskapet, arbetsstycket och andra föremål.

Stora krafter genereras när produkten används, och dessa krafter kan bryta loss eller kasta iväg detaljer och orsaka personskador. Stå på behörigt avstånd under användning och bär alltid lämplig skyddsutrustning, även ögonskydd.

Använd rätt verktyg, redskap och monteringskombinationer. Felaktiga kombinationer kan leda till en ofullständig pressanslutning vilket ökar risken för läckor, utrustningsskador och kroppsskador.

Följ *Inställning* och *Drift* för att minska risken för personskador orsakade av krossning och andra orsaker samt för att förhindra skador på verktygen.

1. Bekräfta ett lämpligt arbetsområde (Se *Säkerhetsvarning för allmänna kraftverktyg*). Använd på en tydlig, jämn, stabil och torr plats. Använd inte verktyget om du står i vatten.
2. Inspektera det arbete som ska utföras och avgör det korrekta RIDGID-verktyget och RIDGID-redskapet för tillämpningen enligt specifikationerna. Om fel utrustning används för en viss uppgift finns risk för personskador, skador på verktyget samt risk för felaktiga anslutningar.
3. Kontrollera att all utrustning har inspekterats och inställts enligt anvisningarna.

### Ta bort/installera ett redskap

1. Stäng av verktyget och ta ur batteriet/AC-adaptorn ur verktyget.
2. Öppna redskapets fäststift helt. Ta bort/sätt i det lämpliga redskapet (Figur 7).
3. Stäng redskapets fäststift helt tills det låses i låst läge. Redskapets fäststift måste stängas helt för att hindra verktygsskador under användning. Verktygslamporna tänds för att indikera, se *Figur 5* för *Verktygsstatuslampor*.

OBS! Använd inte verktyget utan redskapet på plats. Detta kan skada verktyget.



Figur 7 – Redskapets monteringsstift

### Förbereda anslutning

**OBS** Dessa anvisningar är generella metoder för flera typer av pressverktygsredskap. Följ alltid de specifika anvisningarna för pressverktygsredskapet som används och anslutningstillverkarens specifika installationsanvisningar för att minska risken för felaktiga pressanslutningar och omfattande egendomsskador.

1. Förbered pressanslutningen enligt anslutningstillverkarens anvisningar.
2. Sätt i ett fulladdat batteri eller en växelströmsadapter i verktyget och se till att du gör det med torra händer. Om du använder den sladdanslutna nätadaptern med en GFCI ska GFCI (RCD) ha en märkrestström på 30 mA eller mindre. Tryck in PÅ/AV-knappen en gång för att slå på verktyget. Alla lysdioder lyser grönt, vilket indikerar att verktyget är klart att använda. Se *Figur 5* – Verktygsstatuslampor för alla andra lampor.

## Pressa ett beslag med typiska saxkäftar

1. Håll verktyget stadigt med båda händerna.

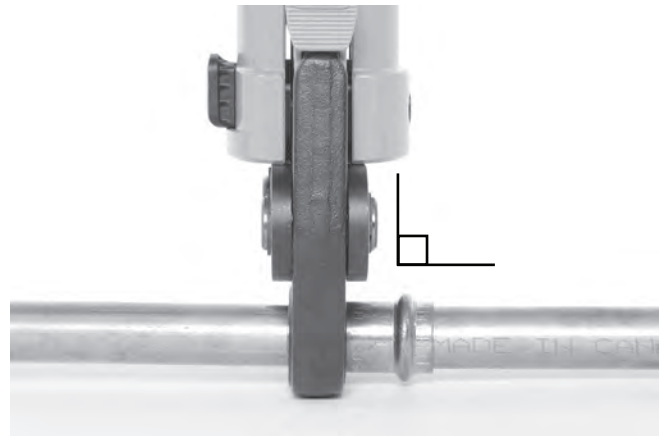


Figur 8 – Hålla verktyget

2. Kläm ihop käftarmarna för att öppna käftarna.
3. Placera de öppna käftarna runt anslutningen (Figur 9). Rikta in käftens pressprofil efter beslags kontur enligt instruktionerna i beslagtillverkarens installationsanvisningar. Frigör käftarmarna för att sluta käftarna runt anslutningen. Häng inte käftsatsen från anslutningen. Verktyget kan falla oväntat och orsaka allvarliga kroppsskador eller dödsfall.



Figur 9 – Placera käftar av saxstil runt beslaget



Figur 10 – Käftarna vinkelräta mot beslaget

4. Bekräfta att käften sitter rätt och inriktat efter beslaget (Figur 10). Håll fingrar och händer borta från käftarna för att undvika krosskador i käftarna eller mellan käftarna och omgivningarna.

**Normalt läge:** tryck ner avtryckaren (Figur 1 och 2). När verktygscykeln börjar och rullarna kommer i kontakt med käftarmarna läses verktyget i läge och slutför cykeln automatiskt. Att släppa brytaren stoppar inte verktyget när det väl har låsts i läge. Detta säkerställer konsekvent, upprepbar hållbarhet hos pressanslutningarna.

**Kontrollläge:** tryck ner avtryckaren (Figur 1 och 2). Käftarna aktiverar anslutningen, men pressanslutningen har inte gjorts. Gör justeringar efter behov. Tryck på avtryckaren igen så läses verktyget fast och slutför cykeln automatiskt. Att släppa brytaren stoppar inte verktyget när det väl har låsts i läge. Detta säkerställer konsekvent, upprepbar hållbarhet hos pressanslutningarna.

Om verktyget måste tas bort innan ett pressbeslag har slutförts, tryck ner tryckfrigöringsknappen (Figur 1 och 2).

**OBS** När frigöringsknappen trycks in är pressningen INTE slutförd och anslutningen måste pressas igen för att garantera att den är slutförd. Om det uppstår fel på verktyget under drift, använd den här rutinen.

5. Släpp aktiveringsbrytaren.
6. Kläm ihop käftarmarna för att öppna käftarna.
7. Ta bort käften från beslaget. Undvik vassa kanter som kan ha bildats på beslaget under pressningen.
8. När åtgärden har slutförts, tryck ner PÅ/AV-knappen för att stänga av verktyget. Ta bort batteriet eller växelströmsadaptorn från verktyg.

## Pressa ett beslag med en typisk aktuator och pressringsats

1. Öppna ringen och placera den runt beslaget. Rikta in ringens pressprofil efter beslags kontur enligt instruktionerna i *beslagstillverkarens installationsanvisningar*. Släpp ringen så att den sluts runt beslaget (Figur 11).
2. Kontrollera att rätt aktuator sitter ordentligt i verktyget. Kläm ihop aktuatorarmarna för att öppna aktuatorspetsarna. Rikta in aktuatorspetsarna efter ringfickorna. Lossa aktuatorarmarna och sätt i aktuatorspetsarna helt i ringfickorna (Figur 12). Om aktuatorspetsarna riktas in fel i ringfickan kan det skada ringen eller aktuatoren under pressningen. Häng inte verktyget och aktuatoren från pressringen. Verktyget kan falla oväntat och orsaka allvarliga kroppsskador eller dödsfall.



Figur 11 – Sätta dit pressringen på beslaget



Figur 12 – Fästa aktuatoren på pressringen

3. Bekräfta att ringen sitter rätt och inriktat efter beslaget. Håll fingrar och händer borta från aktuatoren och ringen för att undvika krosskador i beslaget eller mellan beslaget och omgivningarna.

**Normalt läge:** tryck ner avtryckaren (Figur 1 och 2). När verktygs-cykeln börjar och rullarna kommer i kontakt med käftarmarna låses verktyget i läge och slutför cykeln automatiskt. Att släppa brytaren stoppar inte verktyget när det väl har låsts i läge. Detta säkerställer konsekvent, upprepbar hållbarhet hos pressanslutningarna.

**Kontrolläge:** tryck ner avtryckaren (Figur 1 och 2). Käftarna aktiverar anslutningen, men pressanslutningen har inte gjorts. Gör justeringar efter behov. Tryck på avtryckaren igen så låses verktyget fast och slutför cykeln automatiskt. Att släppa brytaren stoppar inte verktyget när det väl har låsts i läge. Detta säkerställer konsekvent, upprepbar hållbarhet hos pressanslutningarna.

4. Om verktyget måste tas bort innan ett pressbeslag har slutförts, tryck ner tryckfrigöringsknappen (Figur 1 och 2).

**OBS** När frigöringsknappen trycks in är pressningen INTE slutförd och pressanslutningen måste pressas igen för att garantera att den är slutförd. Om det uppstår fel på verktyget under drift, använd den här rutinen.

5. Släpp aktiveringsbrytaren.
6. Kläm ihop aktuatorarmarna för att öppna aktuatoren. Ta bort aktuatoren från beslaget.
7. Ta bort ringen från beslaget. Undvik vassa kanter som kan ha bildats på beslaget under pressningen.
8. När åtgärden har slutförts, tryck ner PÅ/AV-knappen för att stänga av verktyget. Ta bort batteriet eller växelströmsadaptorn från verktyg.

## Inspektera pressanslutningen

1. Inspektera pressverktyget avseende:
  - Full isättning av röret i belägget.
  - Kraftig felinriktning av slangarna. En liten felinriktning i en pressanslutning anses normalt.
  - Felaktig fästinriktning med anslutningskonturen. Förvriden eller deformerad anslutning.
  - Eventuella andra problem enligt anslutningstillverkaren. Detta kan innefatta borttagning av en styrning eller en dekal (används för att indikera att anslutningen inte har pressats ännu).

Om du hittar några problem ta bort förskruvningen och installera en ny pressanslutning.

2. Testa pressanslutningen i enlighet med anvisningarna från anslutningskontaktens tillverkare, normal praxis samt tillämpliga standarder.



## Bluetooth-funktioner (trådlös dataöverföring)

Pressverktygen RIDGID® RP 350 och RP 351 inkluderar trådlös Bluetooth®-teknik som tillåter trådlös dataöverföring till kompatibla smarttelefoner eller plattor ("enheter") som kör iOS- eller Android-operativsystem.

1. Hämta den lämpliga RIDGID® Link-appen till din enhet på RIDGID.com/apps eller i Google Play Store eller Apple App Store.
2. När verktyget är på kan en enhet med trådlös Bluetooth-teknik hitta och parkoppla med pressverktyget. I Bluetooth-inställningarna på enheten väljer du RIDGID tool. Se enhetsanvisningarna för specifik information om hur du ansluter via trådlös Bluetooth-teknik. När du är ansluten lyser statuslamporna grön-blå-blå-blå.
- Efter den inledande parkopplingen ansluter de flesta enheter automatiskt till Verktyg när den trådlösa Bluetooth-tekniken är aktiv och inom räckvidd och om enhetsinställningarna är konfigurerade för detta. Pressverktyg ska vara mindre än 33 ft. (10 m) från enheten som ska kännas av. Eventuella hinder mellan verktyget och enheten kan reducera driftområdet.
3. Följ appanvisningarna för korrekt användning. Du kan ändra driftläge via appen. Appen tillåter även övervakning av verktygsacykler.
4. Den trådlösa dataöverföringen stängs AV när pressverktyget stängs AV. Stäng AV den trådlösa Bluetooth-enheten för att minska enhetens batteriurladdningen.

## Användning i kallt väder

När temperaturen sjunker förtjockas hydraulvätskan och batteriers prestanda försämras. För att minska risken för felaktig drift fungerar RP 350 och RP 351 inte utanför det specificerade temperaturområdet som anges av verktygens statuslampor (Figur 5).

När omgivningsförhållandena ligger utanför det specificerade temperaturområdet ska verktyget och batterierna förvaras i ett tempererat område tills de kan användas.

## Förvaring

Ta bort batteriet eller växelströmsadaptorn från pressverktyget. Förvara pressverktyget och batteriet i väskan. Undvik att förvara verktyget i mycket hög eller mycket låg temperatur. Verktyget slås inte PÅ om verktyget är utanför specifikationsområdet. Detta anges med statuslamporna på verktyget. (Se Figur 5)

**⚠ VARNING** Förvara verktyget i ett torrt, säkert, låst område som är oåtkomligt för barn och personer som inte är bekanta med pressverktyget. Verktyget är farligt i händerna på utbildade användare.

## Anvisningar för underhåll

### ⚠ VARNING

**Se till att verktyget är AV och batteriet eller växelströmsadaptorn tas bort från verktyget innan du utför underhåll eller gör några justeringar.**

## Rengöring och smörjning

1. Torka av elverktygets utsida dagligen med en ren torr trasa.
2. Inspektera redskapets fäststift och smörj stiftet med silikon-smörjmedel efter behov.
3. Kontrollera returfjädrarna i redskapen vid varje användning. Redskapen ska öppnas och stängas lätt med endast måttlig fingerkraft.

## Service och reparationer

### ⚠ VARNING

**Felaktigt utförd service eller reparation kan göra verktyget osäkert att använda.**

Service och reparationer på pressverktyget RP 350 och RP 351 måste utföras av ett oberoende RIDGID-servicecenter för pressverktyg.

Information om närmaste auktoriserat oberoende RIDGID-servicecenter eller svar på frågor om service eller reparationer hittar du i *kontaktuppgifterna* i den här handboken.

## Felsökning

SYMPTOM	TÄNKBARA ORSAKER	LÖSNING
<b>Verktyget slås inte på när PÅ/AV-knappen trycks in.</b>	Batteriet är helt urladdat eller trasigt.	Sätt in ett fulladdat batteri/ladda om batteriet.
	Batteriet har inte satts in ordentligt i verktygets handtag.	Kontrollera att batteriet är ordentligt insatt.
	Växelströmsadaptorn är inte korrekt insatt i verktyget.	Sätt i växelströmsadaptorn korrekt i verktyget.
<b>Redskapet har låsts fast på beslaget.</b>	Pressanslutningen slutfördes inte helt.	Tryck på tryckfrigöringsknappen för att lossa käftarna från anslutningen. Inspektera och pressa om anslutningen.
<b>De pressade förbanden som skapas är inte fullständiga.</b>	Fel käft för rörstorleken eller materialet har använts.	Montera rätt redskap.
	Verktyget var inte rätt placerat i förhållande till röret.	Gör om pressanslutningen med en ny anslutning och en ny slang. Kontrollera att verktyget sitter korrekt i förhållande till slangen.
	Redskapets presskontur var inte inriktad efter beslagets kontur.	Gör om anslutningen med en ny slang och en ny anslutning. Se till att anslutningens presskontur riktas in efter anslutningens kontur.
	Verktyget behöver repareras.	Lämna in på service.
<b>Olja läcker ut från verktyget.</b>	Tättningsproblem eller mekaniska problem.	
<b>Motorn är igång men verktyget slutför inte en arbetscykel.</b>	Låg oljenivå.	Lämna in på service.
<b>Verktyget stannar drift.</b>	Låg oljenivå.	

*Se Figur 5 – verktygsstatuslampor*

## Extrautrustning

### ⚠ VARNING

**Minska risken för allvarliga personskador genom att endast använda utrustning som är särskilt konstruerad och rekommenderas för användning med pressverktygen RP 350 och RP 351, t.ex. de som anges nedan.**

### Batteri- och adapterpaket

Katalognr.	Beskrivning
56513	RB-1825 18 V 2,5 Ah litiumjonbatteri
56518	RB-1850 18V 5,0 Ah litiumjonbatteri
44468	120 AC nätadapter – Nordamerika
43338	220 AC nätadapter – Europa
44823	120 AC nätadapter – Kina

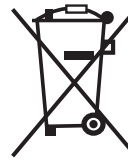
### Laddare och sladdar

Katalognr.		Område	Kontakttyp
64383	RBC-30 laddare	Nordamerika	A
56523	RBC-30 laddare	Europa	C
64388	RBC-30 laddare	Kina	A
64393	RBC-30 laddare	Australien	I
64378	RBC-30 laddare	Japan	A
64398	RBC-30 laddare	Storbritannien	G
64173	RBC-30 laddningskabel	Nordamerika	A
64183	RBC-30 laddningskabel	Europa	C

Du kan få en fullständig lista över RIDGID-utrustning för de här verktygen i Ridge Tool-katalogen på webben på RIDGID.com eller via *kontaktuppgifter*.

## Bortskaffande

Delar av dessa verktyg innehåller värdefulla material som kan återvinnas. Det finns företag som specialiserar sig på återvinning. Bortskaffa komponenterna i överensstämmelse med alla gällande bestämmelser. Kontakta återvinningsmyndigheten i din kommun för mer information.



**För EG-länder:** Elektrisk utrustning får inte kastas i hushållssoporna!

Enligt EU-direktivet 2012/19/EU om avfall som utgörs av eller innehåller elektriska eller elektroniska produkter måste elektrisk utrustning som inte längre kan användas samlas in separat och bortskaffas på ett miljömässigt korrekt sätt.

## Elektromagnetisk kompatibilitet (EMC)

Termen elektromagnetisk kompatibilitet avser produktens förmåga att fungera väl i en omgivning där elektromagnetisk strålning och elektrostatiska urladdningar förekommer, utan att orsaka elektromagnetiska störningar hos annan utrustning.

**OBS** De här verktygen uppfyller alla tillämpliga EMC-standarder. Det går dock inte att förutsätta att andra enheter inte störs. Alla provningar enligt EMC-relaterade standarder beskrivs i verktygets tekniska dokument.

## FCC/ICES-meddelande

Den här enheten uppfyller del 15 i FCC-reglerna. Enheten ska användas under följande två förhållanden:

1. Den här enheten får inte orsaka skadliga störningar.
2. Den här enheten måste godta alla mottagna störningar, inklusive störningar som kan orsaka oönskad funktion.

Modificeringar som inte uttryckligen godkänts av företaget kan upphäva användarens behörighet att använda utrustningen.

Den här utrustningen har testats och befunnits överensstämma med gränsvärdena för digitala enheter i klass A, i enlighet med del 15 i FCC:s bestämmelser. Dessa gränser är utformade för att ge tillräckligt skydd mot skadliga störningar när utrustningen används i en kommersiell miljö. Den här utrustningen genererar, använder och kan avge radiofrekvensenergi, och om utrustningen inte installeras och används i enlighet med instruktionsboken kan den orsaka skadliga störningar i samband med radiokommunikation. Om enheten används i ett bostadsområde orsakar den sannolikt skadliga störningar och då blir användaren ansvarig för att åtgärda störningarna på egen bekostnad.

Den här produkten uppfyller de kanadensiska ICES-003 klass A-specifikationerna. *Se deklarationsetiketten på verktyget.*

# RP 350/RP 351

## Pressværktøj



### **⚠ ADVARSEL!**

Læs denne brugervejledning grundigt, før du bruger dette værktøj. Det kan medføre elektrisk stød, brand og/eller alvorlig personskade, hvis indholdet i denne vejledning ikke læses og følges.

#### Presseværktøjer RP 350/RP 351

Skriv produktets serienummer, som du finder på mærkepladen, nedenfor, og sørg for at gemme det.

Serienr.



## Indholdsfortegnelse

<b>Registreringsformular til maskinserienummer</b> .....	129
<b>Sikkerhedssymboler/symboler</b> .....	131
<b>Generelle sikkerhedsadvarsler for maskinværktøj</b> .....	131
Sikkerhed i arbejdsområdet .....	131
Elektrisk sikkerhed.....	131
Personlig sikkerhed .....	132
Anvendelse og vedligeholdelse af maskinværktøj.....	132
Anvendelse og vedligeholdelse af batteridrevet værktøj .....	133
Service .....	133
<b>Specifik sikkerhedsinformation</b> .....	133
Sikkerhed i relation til presseværktøjet.....	133
<b>Kontaktoplysninger til RIDGID®</b> .....	134
<b>Beskrivelse</b> .....	134
<b>Specifikationer</b> .....	136
Standardudstyr .....	137
<b>Eftersyn før brug</b> .....	137
<b>Opsætning og drift</b> .....	138
Afmontering/montering af tilbehør .....	138
Forberedelse af forbindelse .....	138
Presning af en fitting med almindelige saksekæber.....	139
Presning af en fitting med et almindeligt aktuator- og presseringsæt .....	140
Kontrol af den pressede forbindelse .....	140
Bluetooth-funktioner (trådløs dataoverførsel).....	141
Anvendelse i koldt vejr.....	141
<b>Opbevaring</b> .....	141
<b>Vedligeholdelsesvejledning</b> .....	141
Rengøring og smøring.....	141
<b>Service og reparation</b> .....	141
<b>Fejlfinding</b> .....	142
<b>Ekstraudstyr</b> .....	143
<b>Bortskaffelse</b> .....	143
<b>Elektromagnetisk kompatibilitet (EMC)</b> .....	144
<b>FCC/ICES-erklæring</b> .....	144
<b>EF-overensstemmelseserklæring</b> .....	Indvendigt på bagside
<b>Livstidsgaranti</b> .....	Bagside

\*Oversættelse af den originale brugervejledning

## Sikkerhedssymboler/symboler

I denne brugervejledning og på selve produktet anvendes sikkerhedssymboler og signalord til at formidle vigtige sikkerhedsoplysninger. Dette afsnit indeholder yderligere oplysninger om disse signalord og symboler.



Dette er symbolet for en sikkerhedsmeddelelse. Symbolet bruges til at gøre dig opmærksom på en potentiel fare for personskade. Overhold alle sikkerhedsmeddelelser, der efterfølger dette symbol, for at undgå mulig personskade eller dødsfald.



**FARE** FARE angiver en farlig situation, som vil resultere i død eller alvorlig personskade, hvis den ikke undgås.



**ADVARSEL** ADVARSEL angiver en farlig situation, som kan resultere i død eller alvorlig personskade, hvis den ikke undgås.



**FORSIGTIG** FORSIGTIG angiver en farlig situation, som kan resultere i mindre eller moderat personskade, hvis den ikke undgås.



**BEMÆRK** BEMÆRK angiver oplysninger, der vedrører beskyttelse af ejendom.



Dette symbol betyder, at du skal læse brugervejledningen grundigt, før du anvender udstyret. Brugervejledningen indeholder vigtige oplysninger om sikker og korrekt brug af udstyret.



Dette symbol betyder, at du altid skal bære sikkerhedsbriller med sideværn eller beskyttelsesbriller, når du håndterer eller anvender dette udstyr, for at nedsætte risikoen for øjenskader.



Dette symbol angiver, at der er risiko for at hænder, fingre og andre kropsdele bliver mast.



Dette symbol angiver, at der er risiko for elektrisk stød.



Dette symbol angiver, at produktet kun er beregnet til indendørs brug.



Dette symbol angiver, at produktet er udstyr i Klasse II.



Dette symbol angiver, at det er elektrisk udstyr, der ikke må bortskaffes sammen med husholdningsaffaldet. Se afsnittet "Bortskaffelse".



Dette symbol angiver, at dette elektriske udstyr overholder kravene i de gældende EU-direktiver.



Dette symbol angiver produktets produktionsår.

## Generelle sikkerhedsadvarsler for maskinværktøj\*

### ADVARSEL

Læs alle sikkerhedsadvarsler, anvisninger, illustrationer og specifikationer, der følger med dette maskinværktøj. Det kan medføre elektrisk stød, brand og/eller alvorlig personskade, hvis de i det følgende anførte anvisninger ikke overholdes.

### GEM ALLE ADVARSLER OG ANVISNINGER TIL SENERE BRUG!

Termen "maskinværktøj" i advarslerne henviser til dit eldrevne (kablede) maskinværktøj eller batteridrevne (kabellose) maskinværktøj.

### Sikkerhed i arbejdsområdet

- Hold arbejdsområdet rent og godt oplyst. Rodede eller mørke områder øger risikoen for ulykker.

- Brug ikke maskinværktøjer i eksplosive atmosfærer, som f.eks. ved tilstedeværelse af brændbare væsker, gasser eller støv. Maskinværktøjer danner gnister, som kan antænde støv eller dampe.
- Hold børn og andre uvedkommende personer på afstand, når et maskinværktøj bruges. Du kan miste kontrollen over værktøjet, hvis du bliver distraheret.

### Elektrisk sikkerhed

- Maskinværktøjets stik skal passe til stikkontakten. Foretag aldrig ændringer af stikket på nogen måde. Brug ikke adapterstik sammen med jordede maskinværktøjer. Ikke-modificerede stik og matchende stikkontakter reducerer risikoen for elektrisk stød.
- Undgå kropskontakt med jordede/stelforbundne overflader, som f.eks. rør, radiatorer, komfurer og køleskabe. Der er en øget risiko for elektrisk stød, hvis din krop har stel- eller jordforbindelse.

\* Teksten i afsnittet "Generelle sikkerhedsadvarsler for maskinværktøj" i denne vejledning er efter behov overtaget ordret fra den relevante standard UL/CSA 62841-1. Dette afsnit indeholder information om generel sikkerhedspraksis for mange forskellige typer maskinværktøj. Det er ikke alle forholdsregler, der gælder for hvert eneste værktøj, og nogle forholdsregler gælder ikke for dette værktøj.

- **Udsæt ikke maskinværktøjer for regn eller våde forhold.** Hvis der trænger vand ind i maskinværktøjet, forøges risikoen for elektrisk stød.
- **Håndter ledningen korrekt. Brug aldrig ledningen til at bære, trække eller afbryde maskinværktøjet. Hold ledningen væk fra varme, olie, skarpe kanter og bevægelige dele.** Beskadigede eller sammenfiltrede ledninger øger risikoen for elektrisk stød.
- **Anvend en forlængerledning, der er egnet til udendørs brug, når et maskinværktøj anvendes udendørs.** Anvendelse af en ledning, der er egnet til udendørs brug, mindsker risikoen for elektrisk stød.
- **Brug en strømkilde med fejlstrømsafbryder, hvis et maskinværktøj absolut skal anvendes et fugtigt sted.** Brugen af en fejlstrømsafbryder mindsker risikoen for elektrisk stød.

## Personlig sikkerhed

- **Vær hele tiden opmærksom, og hold øje med det, du foretager dig. Brug almindelig sund fornuft, når du arbejder med maskinværktøj. Brug ikke maskinværktøj, når du er træt eller påvirket af stoffer, alkohol eller medicin.** Et øjeblik uopmærksomhed, mens du bruger maskinværktøj, kan medføre alvorlig personskade.
- **Brug personligt beskyttelsesudstyr. Brug altid beskyttelsesbriller.** Beskyttelsesudstyr, som f.eks. støvmaske, skridsikkert sikkerhedsfodtøj, hjelm eller høreværn, der anvendes under de relevante forhold, vil begrænse risikoen for personskade.
- **Forebyg utilsigtet start. Sørg for, at kontakten er i stillingen OFF, inden værktøjet sluttes til en strømkilde og/eller en batterienhed, og inden det samles op eller bæres.** Hvis du bærer maskinværktøj med fingeren på kontakten eller aktiverer maskinværktøj, der har kontakten i positionen TIL, er der høj risiko for ulykker.
- **Fjern eventuelle justeringsnøgler, inden der tændes for maskinværktøjet.** En nøgle, der er fastgjort til en roterende del på maskinværktøjet, kan eventuelt forårsage personskade.
- **Brug ikke værktøjet i uhensigtsmæssige arbejdsstillinger. Hav altid ordentligt fodfæste og god balance.** Det giver bedre kontrol over maskinværktøjet i uventede situationer.
- **Brug fornuftigt arbejdstøj. Bær ikke løstsiddende tøj eller smykker. Hold hår, tøj og handsker væk fra bevægelige dele.** Løst tøj, smykker eller langt hår kan blive fanget i bevægelige dele.
- **Sørg for, at støvudsugnings- og opsamlingsenheder er tilsluttet og anvendes korrekt, hvis der er mulighed for tilslutning af disse.** Brug af støvopsamling kan mindske støvrelaterede risici.
- **Lad ikke den familiaritet, der følger med hyppig anvendelse af værktøjer, få dig til at slække på og ignorere sikkerhedsprincipperne for værktøjer.** En skødesløs handling kan medføre alvorlig personskade i løbet af et splitsekund.

## Anvendelse og vedligeholdelse af maskinværktøj

- **Forsøg ikke på at forcere maskinværktøj. Brug det korrekte maskinværktøj til anvendelsesformålet.** Det korrekte maskinværktøj udfører opgaven bedre og mere sikkert i den hastighed, som det er konstrueret til.
- **Brug ikke maskinværktøjet, hvis det ikke kan tændes og slukkes med kontakten.** Ethvert maskinværktøj, som ikke kan styres med kontakten, er farligt og skal repareres.
- **Afbryd stikket fra strømkilden og/eller fjern batterienheden fra maskinværktøjet, inden der foretages justeringer, skiftes tilbehør eller maskinværktøjet lægges til opbevaring.** Disse forebyggende sikkerhedsforanstaltninger mindsker risikoen for utilsigtet start af maskinværktøjet.
- **Opbevar maskinværktøjer, der ikke er i brug, så de er utilgængelige for børn, og lad ikke personer, der ikke er fortrolige med brugen af maskinværktøjet eller disse anvisninger, anvende værktøjet.** Et maskinværktøj er farligt i hænderne på uerfarne brugere.
- **Vedligehold maskinværktøjer. Kontrollér, om bevægelige dele er fejljusteret eller binder, om dele er ødelagt, og om der er andre forhold, som kan påvirke maskinværktøjets funktion. Hvis maskinværktøjet er beskadiget, skal det repareres inden brug.** Mange ulykker skyldes, at maskinværktøjet er dårligt vedligeholdt.
- **Hold skæreværktøjer skarpe og rene.** Det er mindre sandsynligt, at et korrekt vedligeholdt skæreværktøj med skarpe skær binder, og de er nemmere at styre.
- **Anvend maskinværktøj, tilbehør og indsatser osv. i overensstemmelse med disse anvisninger og under hensyntagen til arbejdsforholdene og det arbejde, der skal udføres.** Hvis maskinværktøjet anvendes til andre formål, end hvad det er beregnet til, kan det medføre farlige situationer.
- **Hold håndtag og gribeflader tørre, rene og fri for olie og fedt.** Glatte håndtag og gribeflader hindrer sikker håndtering og kontrol over værktøjet i uventede situationer.

## Anvendelse og vedligeholdelse af batteridrevet værktøj

- **Foretag udelukkende opladning med den oplader, som producenten har angivet.** En oplader, som er beregnet til én type batterier, kan udgøre en brandfare, hvis den anvendes til en anden type batterier.
- **Brug kun maskinværktøj med batterier, som er beregnet til udstyret.** Hvis der anvendes andre batterier, kan der opstå fare for skader og brand.
- **Når batteripakken ikke er i brug, skal den holdes på afstand af andre metalgenstande, som f.eks. papirclips, mønter, nøgler, søm, skruer og andre små metalgenstande, som kan være strømledende fra en pol til en anden.** Hvis batteripolerne kortsluttes, kan det forårsage forbrændinger eller brand.
- **Hvis batteriet håndteres forkert, kan det afgive væske – undgå al kontakt med denne væske. Skyl med vand, hvis du kommer i kontakt med væsken ved et uheld. Hvis væsken kommer i øjnene, skal du desuden søge lægehjælp.** Batterivæske kan forårsage irritation eller forbrændinger.
- **Anvend ikke en batterienhed eller et værktøj, der er beskadiget eller modificeret.** Beskadigede eller modificerede batterier kan opføre sig uforudsigeligt og forårsage brand, eksplosion eller fare for personskade.
- **Udsæt ikke en batteripakke eller værktøj for brand eller meget høje temperaturer.** Hvis batteripakken udsættes for brand eller temperaturer over 265° F (130° C), kan det medføre eksplosion.
- **Følg alle anvisninger for opladning, og undgå at oplade eller opbevare batteripakken uden for det temperaturområde, der er angivet i vejledningen.** Forkert opladning eller opladning ved temperaturer uden for det angivne område kan beskadige batteriet og øge risikoen for brand.

## Service

- **Få maskinværktøjet serviceret af en kvalificeret tekniker, der udelukkende anvender identiske reservedele.** På denne måde opretholdes sikkerheden ved maskinværktøjet.

## Specifik sikkerhedsinformation

### ⚠ ADVARSEL

**Dette afsnit indeholder vigtig sikkerhedsinformation, der gælder specifikt for dette værktøj.**

**Gennemlæs disse forholdsregler nøje, inden du bruger presseværktøjerne, for at nedsætte risikoen for elektrisk stød eller anden form for alvorlig personskade.**

## GEM ALLE ADVARSLER OG ANVISNINGER TIL SENERE BRUG!

I transporttasken til værktøjet er der et opbevaringsrum til denne vejledning, så den kan opbevares sammen med værktøjet og altid er klar til, at operatøren kan bruge den.

## Sikkerhed i relation til presseværktøjet

- **Hold fingre og hænder væk fra pressetilbehør under presningen.** Fingrene eller hænderne kan blive knust, brækket eller amputeret, hvis de kommer i klemme i tilbehøret eller mellem disse komponenter og en anden genstand.
- **Forsøg aldrig på at reparere beskadiget pressetilbehør (kæber, pressering, aktuator osv.). Kassér det komplette beskadigede tilbehør.** Et stykke tilbehør, der er blevet svejset, slebet, boret i eller modificeret på nogen måde, kan gå i stykker under presningen og forårsage alvorlig personskade. Det kan føre til komponentsvigt og alvorlig personskade, såfremt det komplette pressetilbehør ikke udskiftes.
- **Der genereres stor kraft under anvendelsen af værktøjet, som kan medføre, at dele brækker af eller kastes ud og forårsager personskade.** Stå i sikker afstand under anvendelsen, og anvend passende sikkerhedsudstyr, herunder beskyttelsesbriller.
- **Anvend udelukkende presseværktøjer fra RIDGID® med passende pressetilbehør fra RIDGID eller pressetilbehør, der er godkendt af RIDGID (kæber, presseringe, aktuatorer osv.).** Andre former for anvendelse eller modificering af presseværktøjerne til andre anvendelsesformål kan beskadige presseværktøjet, beskadige tilbehøret og/eller forårsage personskade.
- **Anvend korrekte kombinationer af værktøj, tilbehør og fittings.** Ukorrekte kombinationer kan resultere i en ufuldstændig samling, der øger risikoen for utætheder, skade på udstyret og personskade.
- **Det er påkrævet at læse og sætte sig ind i følgende, inden et presseværktøj fra RIDGID® anvendes:**
  - Denne brugervejledning
  - Anvisningerne for tilbehøret
  - Vejledningen til batteri/oplader
  - Monteringsanvisningerne fra producenten af fittings
  - Anvisningerne for alt andet udstyr eller materiale, der anvendes sammen med dette værktøj

Hvis ikke samtlige advarsler og anvisninger overholdes, kan det medføre skader på udstyr og/eller alvorlig personskade.

## Kontaktoplysninger til RIDGID®

Hvis du har spørgsmål angående dette RIDGID®-produkt:

- Kontakt den lokale RIDGID-forhandler.
- Gå ind på RIDGID.com for at finde dit lokale RIDGID-kontaktpunkt.
- Kontakt Ridge Tools tekniske serviceafdeling på [rtctechservices@emerson.com](mailto:rtctechservices@emerson.com), eller ring på følgende nummer i USA og Canada: (800) 519-3456.

## Beskrivelse

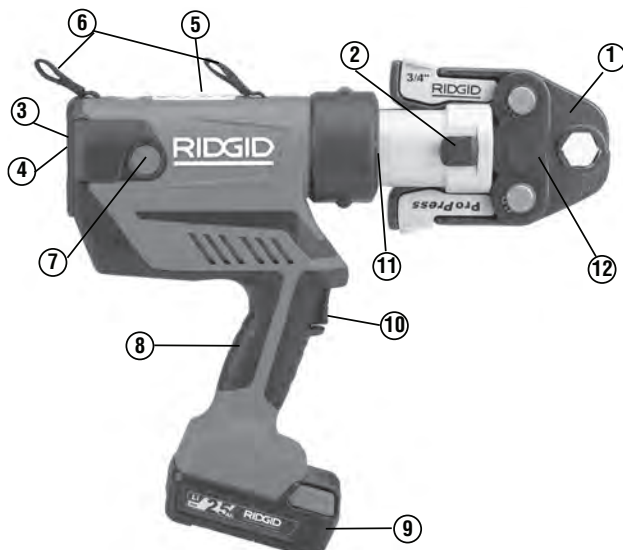
Presseværktøjerne RIDGID® RP 350 og RP 351 er beregnet til sammen med passende tilbehør mekanisk at presse fittings på rør for at skabe en vandtæt og permanent forsegling, for eksempel ved sanitære installationer, varmeinstallationer, air-conditionanlæg og køleinstallationer. Der fås også tilbehør til andre anvendelser.

Når der trykkes på aktiveringskontakten på presseværktøjet, aktiverer en indbygget el-motor en hydraulikpumpe, der sender væske ind i værktøjets cylinder, så stemplet bevæges fremad og påfører kraft på tilbehøret, så fittingen presses. Pressecyklussen har en varighed af ca. 4 sekunder. Når en fitting begynder at blive deformeret, vil cyklussen blive kørt færdig, også selvom aktiveringskontakten slippes.

Værktøjet har en anden driftsfunktionstilstand ("Kontrolfunktionstilstand"), der kan aktiveres ved hjælp af RIDGID Link-appen. Kontrolfunktionstilstanden gør det muligt at fittingen kan sættes i indgreb, inden presningen udføres, så korrekt tilpasning af tilbehøret, fittingen og røret kan bekræftes.

Værktøjets statuslamper angiver for eksempel værktøjsstatus, batteristatus, påkrævet vedligeholdelse eller ukorrekt temperatur. Et arbejdslys tændes for at oplyse arbejdsområdet, når aktiveringskontakten trykkes ind. Hovedet kan roteres 360° for at opnå bedre adgang på steder med begrænset plads.

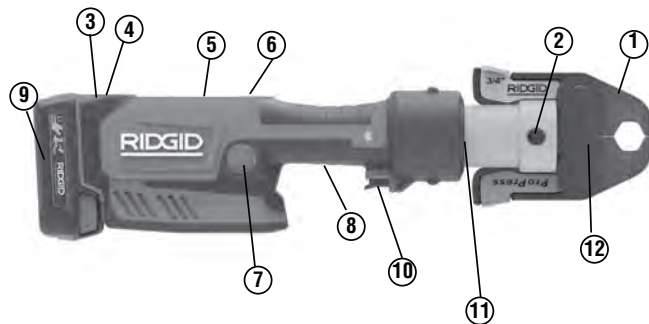
Værktøjet er ved leveringen forsynet med stofstropper, der kan anvendes sammen med passende tilbehør som for eksempel skulderstropper eller bindesnore.



**Figur 1 – Presseværktøj RP 350 og kæbe i standard-serien fra RIDGID**

Presseværktøjerne har indbygget trådløs Bluetooth®-teknologi for at muliggøre forbindelse med smartphones og tablets. Se afsnittet "Bluetooth-funktioner (trådløs dataoverførsel)" for nærmere information.

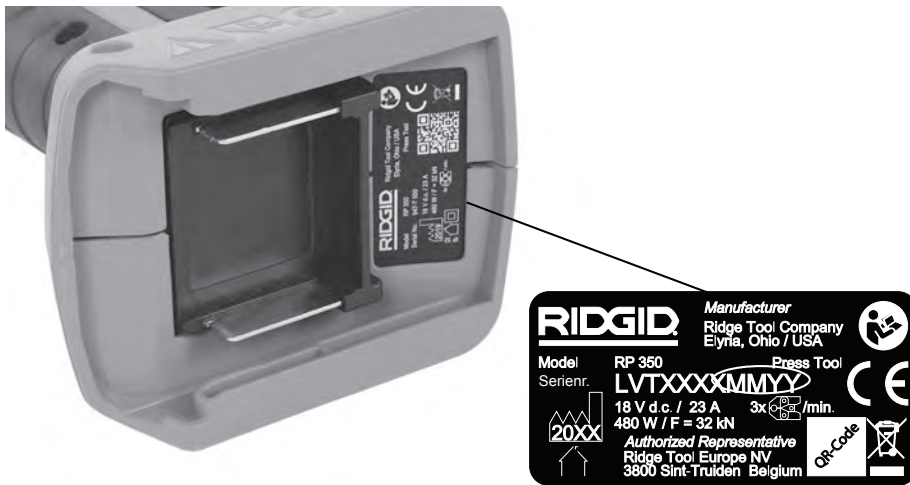
\* Bluetooth®-ordmærket og -logoer er registrerede varemærker tilhørende Bluetooth SIG, Inc. og anvendelsen heraf af Emerson Electric Co. sker under licens. Andre varemærker og handelsnavne tilhører de respektive ejere.



**Figur 2 – Presseværktøj RP 351 og kæbe i standard-serien fra RIDGID**



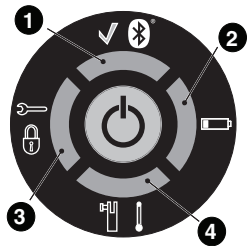
#	Beskrivelse	
1	Saksekæbesæt	7 Trykudløsningsknap (RP 351, i den fjerne ende)
2	Monteringstap til tilbehør	8 Håndtag
3	Værktøjets statuslamper	9 Batteri
4	Tænd/sluk-knap (ON/OFF)	10 Aktiveringskontakt
5	Advarselsmærkat (RP 351 Underside)	11 LED-arbejdslys
6	Stofstrop	12 Sideplade for kæbe



**Figur 3 – Maskinserienummer – Tegnene, der er markeret med en cirkel, angiver produktionsåret og -måned.**  
(YY = år, MM = måned).

Kontrol	Mærkning	Beskrivelse
<b>Tænd/Sluk-knap</b>		Værktøjets hovedkontakt. (I = tændt (ON), O = slukket (OFF)). Tænd (ON): Tryk på knappen, indtil lampen tændes. <i>Se figur 5 – Værktøjets statuslamper.</i> Sluk (OFF): Tryk på knappen, indtil lampen slukkes. Værktøjet slukkes automatisk, hvis det ikke bruges i ti (10) minutter.
<b>Aktiveringskontakt</b>	—	<b>Tænd arbejdslys:</b> Tryk aktiveringskontakten en anelse ind. <b>Normal funktionstilstand:</b> Tryk på aktiveringskontakten for at starte pressecyklussen, og slip den, når værktøjet låses fast. Den normale funktionstilstand er indstillingen fra fabrikken. <b>Kontrollfunktionstilstand:</b> Tryk på aktiveringskontakten for at sætte tilbehøret på arbejdsemnet. Foretag justeringer efter behov. Tryk på aktiveringskontakten igen for at starte pressecyklussen, og slip den, når værktøjet låses fast. Når værktøjet først er fastlåst, standser værktøjet ikke, selvom kontakten slippes. Dette sikrer, at der skabes en ensartet og repeterbar presseforbindelse. Funktionstilstanden kan ændres via RIDGID Link-appen, <i>se afsnittet "Bluetooth-funktioner"</i> .
<b>Trykudløsningsknap</b>		Den muliggør, at værktøjet kan udløses, uden at presningen fuldføres. Hvis den anvendes, er presningen ikke fuldført og den skal gentages.
<b>Monteringstap til tilbehør</b>	—	Den fastholder tilbehøret på værktøjet. Den skal isættes fuldstændigt for at værktøjet fungerer. <i>Se Figur 6.</i>

**Figur 4 – Oversigt over betjeningslementer**



Lampesegmentnummer (Lampe lyser konstant)				Beskrivelse
1 ✓ Bluetooth	2 🔋	3 🔒	4 🔧	
—	—	—	—	Presseværktøj slukket (OFF).
Grøn	Grøn	Grøn	Grøn	Tændknap (ON) trykket ind, lamper lyser i 4 sekunder ved start, værktøj i "normal funktionstilstand".
Blåt	Blåt	Blåt	Blåt	Tændknap (ON) trykket ind, lamper lyser i 4 sekunder ved start, værktøj i "kontrolfunktionstilstand" - se afsnittet "Bluetooth-funktioner" for at ændre funktionstilstanden.
Grøn	—	—	—	Presseværktøjet er i normal funktionstilstand, standby, presseværktøjet er klar til anvendelse.
Rød	Gul	Gul	Gul	Værktøjet er defekt. Værktøjet fungerer ikke. Fjern batteriet eller AC-adapteren, og isæt elementet igen. Hvis lampen stadig lyser, skal værktøjet serviceres.
Rød	—	—	—	Værktøjet er defekt. Værktøjet fungerer ikke. Fjern batteriet eller AC-adapteren, og isæt elementet igen. Hvis den røde lampe stadig lyser, skal værktøjet serviceres.
Gul	—	Rød	Rød	Værktøj og/eller batteri uden for det specificerede temperaturområde. Værktøjet fungerer ikke. Sørg for, at værktøjet og batteriet er i det rette driftstemperaturområde.
Gul	—	—	Rød	Monteringstappen til tilbehøret er ikke isat fuldstændigt. Værktøjet fungerer ikke. Isæt tappen fuldstændigt. Hvis lamperne stadig lyser, skal værktøjet serviceres.
Gul	Rød	—	—	Lavt batteriniveau. Værktøjet fungerer ikke. Genoplad batteriet/ isæt et fuldt opladet batteri.
Grøn	Blåt	Blåt	Blåt	Bluetooth-forbindelse oprettet, standby, presseværktøj klar til anvendelse – Se afsnittet "Bluetooth-funktioner" for yderligere information.
		Lilla		Firmwareopdatering i gang, værktøjet kan ikke anvendes under opdateringen.

**Figur 5 – Værktøjets statuslamper**

## Specifikationer

	Presserværktøj med pistolgreb RP 350	In-line-presseværktøj RP 351
Tilbehør .....	Standard-serie fra RIDGID	Standard-serie fra RIDGID
Slaglængde .....	1.57" (40 mm)	1.57" (40 mm)
Motor		
Spænding .....	18 V DC nominelt	18 V DC nominelt
Amperetal .....	23 A	23 A
Effekt .....	480 watt	480 watt
Stempelkraft .....	7,200 lbs. (32 kN)	7,200 lbs. (32 kN)
Rotation af hoved .....	360°	360°
Driftscyklus .....	3 pres /min	3 pres /min
Strømforsyning .....	RIDGID RB-18XX-serie 18 V li-ion-batterienhed eller RIDGID RPA 120/220 AC-adapter (Se afsnittet "Ekstraudstyr")	
Bluetooth-rækkevidde .....	33 ft. (10 m)	33 ft. (10 m)
Tilladt luftfugtighed .....	Maks. 80 %	Maks. 80 %
Driftstemperaturområde .....	15° F til 122° F (-10° C til 50° C)	15° F til 122° F (-10° C til 50° C)
Opbevaringstemperatur .....	32° F til 113° F (0° C til 45° C)	32° F til 113° F (0° C til 45° C)
Vægt (uden batteri/tilbehør) .....	7.83 lbs (3,55 kg)	7.83 lbs (3,55 kg)

Mål .....	11.3" x 11.0" x 3.1"	15.7" x 4.65" x 3.1"
	287 mm x 279 mm x 77 mm	398 mm x 118 mm x 77 mm
Lydtryk (L <sub>PA</sub> )* .....	<74,5 dB(A), K=3 dB(A)	<74,5 dB(A), K=3 dB(A)
Vibration* .....	<1,13 m/s <sup>2</sup> , K=1,5	<1,13 m/s <sup>2</sup> , K=1,5

\* Målingerne af lyd og vibration er foretaget i overensstemmelse med en standardiseret test i henhold til standarden EN 62481-1.

- Vibrationsniveauerne kan bruges til sammenligning med andre værktøjer og til foreløbig vurdering af eksponering.

- Lyd- og vibrationsemissionerne kan variere alt efter anvendelsesstedet og den specifikke anvendelse af disse værktøjer.

- De daglige eksponeringsniveauer for lyd og vibration skal evalueres for hver anvendelse, og de relevante sikkerhedstiltag skal implementeres efter behov. Ved evalueringen af eksponeringsniveauerne bør det tidsrum, hvor et værktøj er slukket og ikke anvendes, tages i betragtning. Dette kan reducere eksponeringsniveauet for hele arbejdsperioden betydeligt.

## Standardudstyr

Se flere oplysninger om det udstyr, der følger med de specifikke værktøjskatalognumre i RIDGID-kataloget.

BEMÆRK! Presseværktøjstilbehør fra RIDGID fås i to "serier"

- Standard-serie
- Compact-serie

Disse tilbehørsrserier er ikke ombyttelige. Tilbehør i standard-serien kan kun anvendes sammen med værktøjer i standard-serien (RP 350, RP 351, RP 342-XL, RP 340, RP 330, 320-E, CT-400). Tilbehør i compact-serien kan kun anvendes sammen med værktøjer i compact-serien (RP 240, RP 241, RP 200, RP 210, 100B).

**BEMÆRK** Systemkonstruktøren og/eller -installatøren er ansvarlig for at udvælge passende materialer og de rette tilkoblingsmetoder. Inden der foretages forsøg på montering, skal det specifikke anvendelsesmiljø, herunder det kemiske miljø og anvendelsestemperaturen, vurderes nøje. Konsulter producenten af pressefittingsystemer for information om udvalget.

## Eftersyn før brug

### ⚠ ADVARSEL



Efterse presseværktøjet hver dag før brug, og afhjælp eventuelle problemer for at mindske risikoen for alvorlig personskade som følge

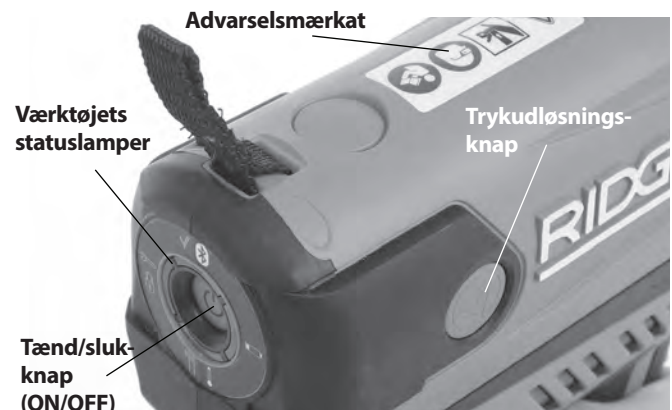
af elektrisk stød, klemningsskader, fejl i tilbehør eller andre årsager og for at forhindre, at værktøjet beskadiges.

1. Sluk værktøjet og fjern batteriet/AC-adapteren fra værktøjet.
2. Rengør udstyret for olie, fedt samt snavs – især håndtag og betjeningsanordninger. Dette understøtter eftersynet og er med til at forhindre, at værktøjet eller betjeningsanordningerne glider ud af hånden på dig.

### 3. Kontrollér presseværktøjet for følgende:

- Korrekt montage, vedligeholdelse og fuldstændighed.
- Dele, der er i stykker, slidte, mangler, sidder skævt eller binder. Kontrollér, at stofstropperne er i god stand.
- Uhindret bevægelse af monteringsstappen til tilbehøret mellem helt åben og helt lukket stilling. Tappen skal låse i hver af stillingerne. Kontrollér, at aktiveringskontakten er frit bevægelig og at den ikke binder eller sidder fast.
- Advarselmærkaten er påsat og læselig (se figur 6).
- Andre forhold, der kan forhindre en sikker og normal funktion.

Anvend ikke presseværktøjet, før eventuelle problemer er blevet afhjulpet.



Figur 6 – Statuslamper/advarelsmærkat

4. Efterse og vedligehold værktøjstilbehøret i henhold til anvisningerne herfor. Fjern tilbehøret fra værktøjet. Kontrollér, at tilbehøret er i god stand og tydeligt mærket i forhold til anvendelsen.
5. Kontrollér og vedligehold alt udstyr, der anvendes, i henhold til anvisningerne for at sikre, at det fungerer korrekt.

## Opsætning og drift

### ⚠ ADVARSEL



Hold fingre og hænder væk fra værktøjs-tilbehøret under pressningen. Fingrene eller

hænderne kan blive mast, brækket eller amputeret i tilbehøret, værktøjet, mellem værktøjet og tilbehøret, arbejdsområdet og andre genstande.

Der genereres stor kraft under anvendelsen af værktøjet, som kan medføre, at dele brækker af eller kastes ud og forårsager personskade. Stå i sikker afstand under anvendelsen, og anvend passende sikkerhedsudstyr, herunder beskyttelsesbriller.

Anvend en korrekt kombination af værktøj, tilbehør og fittings. Ukorrekte kombinationer kan resultere i en ufuldstændig presseforbindelse, der øger risikoen for utætheder, skade på udstyret og personskade.

Følg anvisningerne for opsætning og drift for at nedsætte risikoen for personskade som følge af klemning eller andre årsager og for at undgå, at værktøjet beskadiges.

1. Kontrollér, at arbejdsområdet er i orden (Se "Generelle sikkerhedsadvarsler for maskinværktøj"). Arbejd på et ryddeligt, plant, stabilt og tørt sted. Brug ikke værktøjet, hvis du står i vand.
2. Kontrollér det arbejde, der skal udføres, og fastlæg hvad der er det korrekte RIDGID-værktøj og RIDGID-tilbehør til anvendelsen på basis af specifikationerne. Anvendelse af forkert udstyr til en arbejdsopgave kan forårsage personskade, beskadigelse af værktøjet og frembringe ukomplette forbindelser.
3. Sørg for, at alt udstyr er blevet eftersat og sat op i overensstemmelse med anvisningerne herfor.

### Afmontering/montering af tilbehør

1. Sluk værktøjet og fjern batteriet/AC-adapteren fra værktøjet.
2. Åbn monteringsstappen til tilbehøret helt. Fjern/påsat det rette tilbehør (figur 7).

3. Luk monteringsstappen til tilbehøret helt, så den låses i lukket stilling. Monteringsstappen til tilbehøret skal være helt lukket for at undgå, at værktøjet beskadiges under anvendelsen. Værktøjslamper lyser som indikering, se figur 5 vedrørende værktøjets statuslamper.

BEMÆRK! Anvend ikke værktøjet uden at tilbehøret er påsat, da værktøjet ellers kan blive beskadiget.



Figur 7 – Monteringsstap til tilbehør

### Forberedelse af forbindelse

**BEMÆRK** Disse anvisninger gælder generelt for adskillige typer af presseværktøjstilbehør. Iagttag altid de specifikke anvisninger for det presseværktøjstilbehør, der anvendes, og de specifikke monteringsanvisninger fra fittingproducenten for at nedsætte risikoen for at skabe ukorrekte presseforbindelser og forårsage omfattende tingskade.

1. Klargør presseforbindelsen i overensstemmelse med anvisningerne fra fittingproducenten.
2. Sæt et helt opladet batteri eller en AC-adapter i værktøjet med tørre hænder. Såfremt strømadapteren med ledning anvendes med en fejlstrømsafbryder, skal fejlstrømsafbryderen have en nominel reststrøm på højst 30 mA. Tryk én gang på tænd/sluk-knappen (ON/OFF) for at tænde værktøjet. Alle LED'er vil lyse grønt for at angive, at værktøjet er klar til brug. Se figur 5 – Værktøjets statuslamper vedrørende andre lamper.

## Presning af en fitting med almindelige saksekæber

1. Hold ordentligt på værktøjet med begge hænder.

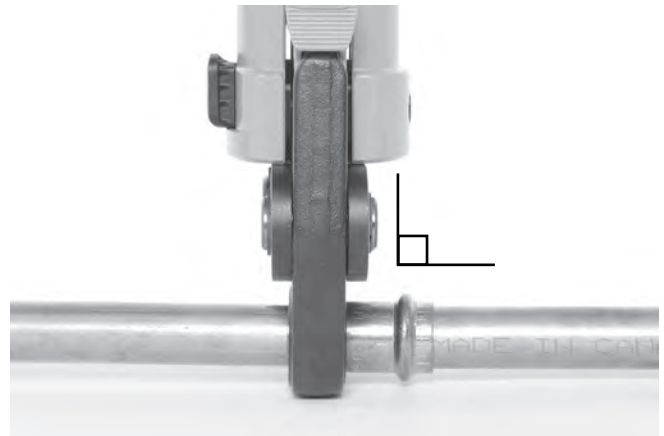


Figur 8 – Sådan holdes værktøjet

2. Klem kæbearmene sammen for at åbne kæberne.
3. Anbring de åbne kæber omkring fittingen (figur 9). Tilpas kæbens presseprofil i forhold til fittingens kontur som angivet i monteringsanvisningerne fra fittingproducenten. Udløs kæbearmene for at lukke kæberne omkring fittingen. Undlad at hænge kæbesættet i fittingen. Værktøjet ville uventet kunne falde ned og forårsage alvorlig personskade eller dødsfald.



Figur 9 – Placering af saksekæber omkring fitting



Figur 10 – Kæber, der er lige i forhold til fittingen

4. Kontrollér, at kæben er placeret korrekt og lige i forhold til fittingen (figur 10). Hold fingre og hænder væk fra kæberne for at undgå knusningsskader i kæberne eller mellem kæberne og omkringliggende elementer.

**Normal funktionstilstand:** Tryk på aktiveringskontakten (figur 1 & 2). Når værktøjets arbejdscyklus starter, og rullerne er i kontakt med kæbearmene, fastlåses værktøjet og processen gennemføres automatisk. Når værktøjet først er fastlåst, standser værktøjet ikke, selvom kontakten slippes. Dette sikrer, at der skabes en ensartet og repeterbar presseforbindelse.

**Kontrolfunktionstilstand:** Tryk på aktiveringskontakten (figur 1 & 2). Kæberne sætter fittingen i indgreb, men presseforbindelsen skabes ikke. Foretag justeringer efter behov. Tryk på aktiveringskontakten igen, og værktøjet vil låses og automatisk gennemføre cyklusen. Når værktøjet først er fastlåst, standser værktøjet ikke, selvom kontakten slippes. Dette sikrer, at der skabes en ensartet og repeterbar presseforbindelse.

Hvis værktøjet skal fjernes, inden presseforbindelsen er skabt, så tryk på trykdøsningsknappen (figur 1 & 2).

**BEMÆRK** Når der trykkes på udløsningsknappen, fuldføres presseforbindelsen IKKE, og der skal foretages fornyet presning af fittingen for at sikre, at den fuldføres. Anvend denne procedure, hvis værktøjet ikke fungerer korrekt under arbejdet.

5. Slip aktiveringskontakten.
6. Klem kæbearmene sammen for at åbne kæberne.
7. Fjern kæben fra fittingen. Undgå skarpe kanter, der kan være fremkommet på fittingen under presseprocessen.
8. Tryk én gang på tænd/sluk-knappen (ON/OFF) for at slukke værktøjet, når arbejdet er udført. Fjern batteriet eller AC-adapteren fra værktøjet.



## Presning af en fitting med et almindeligt aktuator- og presseringsæt

1. Åbn ringen, og anbring den omkring fittingen. Tilpas ringens presseprofil i forhold til fittingens kontur som angivet i *monteringsanvisningerne fra fittingproducenten*. Slip ringen, så den lukkes omkring fittingen (*figur 11*).
2. Kontrollér, at den rette aktuator er monteret korrekt i værktøjet. Klem aktuatorarmene for at åbne aktuatorspidserne. Tilpas aktuatorspidserne i forhold til ringfordybningerne. Slip aktuatorarmene, og lad aktuatorspidserne gå helt i indgreb i ringfordybningerne (*figur 12*). Hvis aktuatorspidsen og ringfordybningen ikke er tilpasset korrekt i forhold til hinanden, kan det medføre, at ringen eller aktuatoren beskadiges under presningen. Lad ikke værktøjet og aktuatoren hænge ned fra presseringen. Værktøjet ville uventet kunne falde ned og forårsage alvorlig personskade eller dødsfald.



Figur 11 – Påsætning af pressering på fitting



Figur 12 – Fastgørelse af aktuator på pressering

3. Kontrollér, at ringen er placeret korrekt og lige i forhold til fittingen. Hold fingre og hænder væk fra aktuatoren og ringen for at undgå knusningsskader i tilbehøret eller mellem tilbehøret og omkringliggende elementer.

**Normal funktionstilstand:** Tryk på aktiveringskontakten (*figur 1 & 2*). Når værktøjets arbejdscyklus starter, og rullerne er i kontakt med kæbearmene, fastlåses værktøjet og processen gennemføres automatisk. Når værktøjet først er fastlåst, standser værktøjet ikke, selvom kontakten slippes. Dette sikrer, at der skabes en ensartet og repeterbar presseforbindelse.

**Kontrolfunktionstilstand:** Tryk på aktiveringskontakten (*figur 1 & 2*). Kæberne sætter fittingen i indgreb, men presseforbindelsen skabes ikke. Foretag justeringer efter behov. Tryk på aktiveringskontakten igen, og værktøjet vil låses og automatisk gennemføre cyklusen. Når værktøjet først er fastlåst, standser værktøjet ikke, selvom kontakten slippes. Dette sikrer, at der skabes en ensartet og repeterbar presseforbindelse.

4. Hvis værktøjet skal fjernes, inden presseforbindelsen er skabt, så tryk på trykudløsningsknappen (*figur 1 & 2*).

**BEMÆRK** Når der trykkes på udløsningsknappen, fuldføres presningen IKKE, og der skal foretages fornyet presning af presseforbindelsen for at sikre, at den fuldføres. Anvend denne procedure, hvis værktøjet ikke fungerer korrekt under arbejdet.

5. Slip aktiveringskontakten.
6. Klem aktuatorarmene for at åbne aktuatoren. Fjern aktuatoren fra fittingen.
7. Fjern ringen fra fittingen. Undgå skarpe kanter, der kan være fremkommet på fittingen under presseprocessen.
8. Tryk én gang på tænd/sluk-knappen (ON/OFF) for at slukke værktøjet, når arbejdet er udført. Fjern batteriet eller AC-adapteren fra værktøjet.

## Kontrol af den pressede forbindelse

1. Kontrollér den pressede fitting for følgende:
  - Komplet isætning af røret i fittingen.
  - Voldsom fejljustering af rørene. En mindre fejljustering ved en presseforbindelse anses for at være inden for normalområdet.
  - Ukorrekt tilbehørstilpasning i forhold til fittingkonturen. Vredet eller deformeret fitting.
  - Andre forhold i henhold til fittingproducenten. Herunder fjernelsen af en kontrolring eller mærkat (til angivelse af, at presningen af forbindelsen endnu ikke er udført).

Fjern fittingen og lav en ny presseforbindelse, hvis der er nogen former for problemer.

2. Test presseforbindelsen i henhold til anvisningerne fra producenten og gældende regler i almindelig praksis.

## Bluetooth-funktioner (trådløs dataoverførsel)

Presseværktøjerne RP 350 og RP 351 fra RIDGID® har indbygget trådløs Bluetooth®-teknologi, der muliggør trådløs overførsel af data til korrekt udstyrede smartphones eller tablets ("enheder") med iOS- eller Android-styresystemer.

1. Download den relevante RIDGID® Link-app på din enhed ved at gå ind på RIDGID.com/apps, Google Play Store eller Apple App Store.
2. Når værktøjet er tændt, kan en enhed med trådløs Bluetooth-teknologi finde og koble til presseværktøjet. Vælg det ønskede RIDGID-værktøj i Bluetooth-indstillingerne på din enhed. Der henvises til anvisningerne for din enhed for specifik information om, hvordan der oprettes forbindelse via trådløs Bluetooth-teknologi. De grønne-blå-blå-blå statuslamper vil lyse, når der er oprettet forbindelse.

Efter den indledende kobling vil de fleste enheder automatisk oprette forbindelse til værktøjerne, når den trådløse Bluetooth-teknologi er aktiveret og inden for rækkevidde og enhedens indstillinger er konfigureret hertil. Presseværktøjer skal være under 33 ft. (10 m) fra den enhed, der skal registreres. Eventuelle forhindringer mellem værktøjet og enheden kan reducere driftsområdet.

3. Følg anvisningerne i appen for korrekt anvendelse. Driftsfunktionstilstanden kan ændres via appen. Appen gør det også muligt at overvåge værktøjscyklusserne.
4. Den trådløse dataoverførsel slås fra, når presseværktøjet slukkes. Slå den trådløse Bluetooth-enhed fra for at nedsætte batteriafladningen på enheden.

## Anvendelse i koldt vejr

Hydraulikvæsken fortykkes og batteriydelsen nedsættes, når temperaturen falder. For at nedsætte risikoen for ukorrekt anvendelse vil RP 350 og RP 351 ikke fungere uden for det specificerede temperaturinterval som angivet af værktøjets statuslamper (figur 5).

Når de omgivende forhold er uden for det specificerede temperaturområde, skal værktøjet og batterierne opbevares et tempereret sted, indtil de skal anvendes.

## Opbevaring

Fjern batteriet eller AC-adapteren fra presseværktøjet. Opbevar presseværktøjet og batteriet i en taske. Undgå opbevaring ved ekstrem varme eller kulde. Værktøjet kan ikke tændes, hvis værktøjet er uden for specifikationsområdet. Det angives via værktøjets statuslamper. (Se figur 5)

**⚠ ADVARSEL** Opbevar værktøjet på et tørt, sikkert og aflåst sted, der er utilgængeligt for børn og personer, der ikke er fortrolige med brugen af presseværktøjet. Værktøjet er farligt i hænderne på uerfarne brugere.

## Vedligeholdelsesvejledning

### ⚠ ADVARSEL

**Sørg for, at værktøjet er slukket og at batteriet eller AC-adapteren er fjernet fra værktøjet, inden der foretages vedligeholdelsesarbejde eller nogen form for justering.**

### Rengøring og smøring

1. Tør værktøjet af med en ren og tør klud hver dag.
2. Kontrollér tilbehørets monteringsstap, og smør tappen med silikonesmøremiddel efter behov.
3. Kontrollér returfedrene i tilbehøret ved hver anvendelse. Tilbehør skal kunne åbnes og lukkes ubesværet under anvendelse af kun moderat håndkraft.

## Service og reparation

### ⚠ ADVARSEL

**Ukorrekt service eller reparation kan bevirke, at værktøjet bliver farligt at anvende.**

Service og reparation af presseværktøjet RP 350 og RP 351 skal udføres af et uafhængigt RIDGID-servicecenter for presseværktøjer.

Der henvises til afsnittet *Kontaktoplysninger* i denne vejledning for oplysninger om det nærmeste uafhængige RIDGID-autoriserede servicecenter, eller såfremt du har spørgsmål angående service eller reparation.

## Fejlfinding

SYMPTOM	MULIGE ÅRSAGER	LØSNING
<b>Værktøjet tændes ikke, når der trykkes på tænd/sluk-knappen (ON/OFF).</b>	Batteriet er helt afladet, eller batteriet er defekt.	Isæt et helt opladet batteri/genoplad batteriet.
	Batteriet er ikke korrekt isat i værktøjets håndtag	Kontrollér, at batteriet er korrekt isat.
	AC-adapteren er ikke isat korrekt i værktøjet.	Isæt AC-adapteren korrekt i værktøjet.
<b>Tilbehøret er fastlåst på fittingen.</b>	Presseforbindelsen blev ikke fuldført ordentligt.	Tryk på trykudløsningsknappen for at fjerne kæberne fra fittingen. Kontrollér fittingen, og foretag fornyet presning.
<b>De pressede forbindelser er ikke fuldførte.</b>	Der er anvendt en forkert kæbe til rørstørrelsen eller -materialet.	Monter det korrekte tilbehør.
	Værktøjet var placeret ikke lige i forhold til røret.	Omgør presseforbindelsen med en ny fitting og et nyt rør. Værktøjet skal være lige i forhold til røret.
	Tilbehørets pressekontur var ikke tilpasset i forhold til fittingens kontur.	Omgør samlingen med et nyt rør og en ny fitting. Sørg for, at tilbehørets pressekontur er tilpasset i forhold til fittingens kontur.
	Værktøjet skal repareres.	Få maskinen serviceret.
<b>Der lækker olie fra værktøjet.</b>	Tætningsmæssige eller mekaniske fejl.	
<b>Motoren arbejder, men værktøjet gennemfører ikke en cyklus.</b>	Lavt olieniveau.	Få maskinen serviceret.
<b>Værktøjet standser under anvendelsen.</b>	Lavt olieniveau.	

Se figur 5 – Værktøjets statuslamper

## Ekstraudstyr

### ⚠ ADVARSEL

**For at nedsætte risikoen for alvorlig personskade må der kun anvendes udstyr, der er specielt konstrueret og anbefalet til brug sammen med presseværktøjet RP 350 og RP 351, som anført nedenfor.**

### Batteri- og adapterenheder

Katalognr.	Beskrivelse
56513	RB-1825 18 V 2,5 Ah litium-ion-batteri
56518	RB-1850 18 V 5,0 Ah litium-ion-batteri
44468	120 AC-adapter – Nordamerika
43338	220 AC-adapter – Europa
44823	120 AC-adapter – Kina

### Opladere og ledninger

Katalognr.		Region	Stiktype
64383	Oplader RBC-30	Nordamerika	A
56523	Oplader RBC-30	Europa	C
64388	Oplader RBC-30	Kina	A
64393	Oplader RBC-30	Australien	I
64378	Oplader RBC-30	Japan	A
64398	Oplader RBC-30	Storbritannien	G
64173	Opladerledning RBC-30	Nordamerika	A
64183	Opladerledning RBC-30	Europa	C

Der henvises til Ridge Tool-kataloget, der findes online på RIDGID.com, eller afsnittet "Kontaktoplysninger" for en komplet liste over RIDGID-udstyr til dette værktøj.

## Bortskaffelse

Dele af disse værktøjer indeholder værdifulde materialer, der kan genbruges. I lokalområdet findes der evt. virksomheder, som specialiserer sig i genbrug. Bortskaf komponenter i overensstemmelse med alle gældende regler. Kontakt det lokale renovationsvæsen for yderligere oplysninger.



**EU-lande:** Bortskaf ikke elektrisk udstyr sammen med husholdningsaffald!

I henhold til det europæiske direktiv 2012/-19/EU om affald fra elektrisk og elektronisk udstyr og dets implementering i national lovgivning skal udtjent elektrisk udstyr indsamles særskilt og bortskaffes på en miljømæssig

korrekt måde.

## Elektromagnetisk kompatibilitet (EMC)

Termen elektromagnetisk kompatibilitet defineres som produktets funktionsduelighed i et miljø med elektromagnetisk stråling og elektrostatisk udladninger, uden at det forårsager elektromagnetisk interferens i andet udstyr.

**BEMÆRK** Dette værktøj er i overensstemmelse med alle gældende EMC-standarder. Dog kan det ikke udelukkes, at de skaber interferens i andet udstyr. Alle EMC-relaterede standarder, der er blevet testet, er anført i værktøjets tekniske dokumentation.

## FCC/ICES-erklæring

Denne enhed overholder sektion 15 i FCC-reglerne. Anvendelsen er underlagt følgende to betingelser:

1. Denne enhed må ikke forårsage skadelig interferens.
2. Denne enhed skal kunne acceptere enhver modtaget interferens, herunder interferens der kan forårsage uønsket funktionspåvirkning.

Ændringer, der ikke udtrykkelig er godkendt af denne virksomhed, kan ugyldiggøre brugerens bemyndigelse til at betjene udstyret.

Dette udstyr er testet og overholder grænseværdierne for digitale apparater i Klasse A i henhold til sektion 15 i FCC-reglerne. Disse grænseværdier skal sikre rimelig beskyttelse mod skadelig interferens, når udstyret anvendes i et kommercielt miljø. Dette udstyr genererer, bruger og kan udstråle radiofrekvensenergi. Hvis udstyret ikke installeres og bruges i overensstemmelse med instruktionsvejledningen, kan dette forårsage skadelig interferens i radiokommunikation. Anvendelsen af dette udstyr i et boligområde vil sandsynligvis forårsage skadelig interferens, og brugeren skal i så fald afhjælpe interferensen for egen regning.

Dette produkt overholder specifikationerne i henhold til den canadiske standard ICES-003, Klasse A. *Se overensstemmelsesmærkaten på værktøjet.*



# RP 350/RP 351

## Pressverktøy



### **⚠ ADVARSEL!**

Les bruksanvisningen før du tar i bruk verktøyet. Hvis innholdet i bruksanvisningen ikke overholdes, kan det resultere i elektrisk støt, brann og/eller alvorlig personskade.

#### **RP 350/RP 351 Pressverktøy**

Skriv ned serienummeret nedenfor, og ta vare på produktets serienummer som du finner på navneskiltet.

Serienr.

## Innholdsfortegnelse

<b>Registreringsskjema for maskinens serienummer</b> .....	145
<b>Sikkerhetssymboler/Symboler</b> .....	147
<b>Generelle sikkerhetsadvarsler for el-verktøy</b> .....	147
Sikkerhet på stedet hvor arbeidet utføres .....	147
Elektrisk sikkerhet.....	147
Personlig sikkerhet.....	148
Bruk og håndtering av elektrisk drevet verktøy .....	148
Bruk og håndtering av batteridrevne verktøy.....	148
Vedlikehold.....	149
<b>Spesifikk sikkerhetsinformasjon</b> .....	149
Sikker bruk av pressverktøy .....	149
<b>RIDGID® kontaktinformasjon</b> .....	149
<b>Beskrivelse</b> .....	149
<b>Spesifikasjoner</b> .....	152
Standardutstyr .....	153
<b>Inspeksjon førdrift</b> .....	153
<b>Klargjøring og bruk</b> .....	154
Fjerne/installere tilbehør.....	154
Forberede tilkobling.....	154
Presse en kobling med typiske pressbakker .....	155
Presse en presskobling med typisk aktuator og pressringsett.....	156
Inspeksjon av den ferdige presskoblingen.....	156
Bluetooth-funksjoner (trådløs dataoverføring) .....	157
Bruk i kalde omgivelser.....	157
<b>Oppbevaring</b> .....	157
<b>Instruksjoner for vedlikehold</b> .....	157
Rengjøring og smøring.....	157
<b>Vedlikehold og reparasjon</b> .....	157
<b>Feilsøking</b> .....	158
<b>Tilleggsutstyr</b> .....	159
<b>Avfallshåndtering</b> .....	159
<b>Elektromagnetisk kompatibilitet (EMC)</b> .....	159
<b>FCC/ICES-uttalelse</b> .....	159
<b>EU samsvarserklæring</b> .....	På innsiden av bakre omslag
<b>Livstidsgaranti</b> .....	Bakside

\*Oversettelse av den originale bruksanvisningen

## Sikkerhetssymboler/Symboler

I denne bruksanvisningen og på produktet formidles viktig sikkerhetsinformasjon gjennom symboler og signalord. Denne delen er utarbeidet for å bedre forståelsen av disse signalordene og symbolene.



Dette symbolet indikerer en sikkerhetsadvarsel. Det brukes for å advare om potensiell fare for personskade. Følg alle sikkerhetsadvarsler med dette symbolet for å unngå personskade eller dødsfall.



**FARE** indikerer en farlig situasjon som vil føre til dødsfall eller alvorlig personskade dersom den ikke unngås.



**ADVARSEL** indikerer en farlig situasjon som kan føre til dødsfall eller alvorlig personskade dersom den ikke unngås.



**FORSIKTIG** indikerer en farlig situasjon som kan føre til en mindre eller moderat personskade dersom den ikke unngås.



**MERK** indikerer informasjon om mulig skade på eiendom.



Dette symbolet betyr at du bør lese bruksanvisningen grundig før du tar utstyret i bruk. Bruksanvisningen inneholder viktig informasjon om trygg og riktig bruk av utstyret.



Dette symbolet betyr at man alltid må bruke briller med bred innfatning eller vernebriller ved bruk av utstyret for å redusere risikoen for øyeskade.



Dette symbolet indikerer risiko for at hender, fingre eller andre kroppsdeler kan bli fanget.



Dette symbolet betyr risiko for elektrisk støt.



Dette symbolet indikerer at produktet kun er for bruk innendørs.



Dette symbolet indikerer at produktet er utstyr av klasse II.



Dette symbolet indikerer at dette er elektrisk utstyr som ikke må kasseres sammen med husholdningsavfallet. Se avsnittet "Kassasjon".



Dette symbolet indikerer at dette er elektrisk utstyr som samsvarer med kravene i gjeldende EF-direktiver.



Dette symbolet indikerer produksjonsåret for produktet.

## Generelle sikkerhetsadvarsler for el-verktøy\*

### ADVARSEL

**Les alle sikkerhetsadvarsler, instruksjoner, illustrasjoner og spesifikasjoner som følger med dette el-verktøyet. Unnlattelse av å følge alle instruksjonene som er oppført nedenfor kan føre til elektrisk støt, brann og/eller alvorlig personskade.**

### TA VARE PÅ ALLE ADVARSLER OG INSTRUKSJONER FOR FREMTIDIG REFERANSE!

Begrepet "el-verktøy" i advarslene henviser til elektrisk verktøy med strømforsyning fra strømmettet (med strømledning) og batteridrevet elektrisk verktøy (uten strømledning).

### Sikkerhet på stedet hvor arbeidet utføres

- **Hold arbeidsstedet rent og godt belyst.** Det kan oppstå uhell i rotete eller mørke omgivelser.
- **Ikke bruk elektriske verktøy i eksplosive omgivelser, som for eksempel i nærheten av brennbare væsker, gasser eller støv.** El-verktøy danner gnister som kan antenne støv eller damp.

- **Hold barn og andre personer på avstand mens el-verktøyet brukes.** Hvis du blir distraheret, kan du miste kontrollen.

### Elektrisk sikkerhet

- **El-verktøyet støpsler må passe til uttaket. Ikke modifiser støpselet på noen måte. Bruk ikke adapterstøpsler med jordede el-verktøy.** Umodifiserte støpsler og passende uttak vil redusere risikoen for elektrisk støt.
- **Unngå kroppskontakt med jordede overflater, for eksempel rør, radiatorer, komfyrer og kjøleskap.** Det er økt fare for elektrisk støt dersom kroppen din er jordet.
- **El-verktøy må ikke utsettes for regn eller fuktighet.** Risikoen for elektrisk støt øker hvis det kommer vann inn i et el-verktøy.
- **Strømledningen må håndteres forsiktig. Bruk ikke strømledningen til å bære eller trekke el-verktøyet, og ikke trekk støpselet ut av uttaket ved å dra i strømledningen. Hold ledningen unna varme, olje, skarpe kanter og bevegelige deler.** Skadede eller sammenflettede ledninger øker faren for elektrisk støt.

\* Teksten brukt i avsnittet Generelle sikkerhetsadvarsler for el-verktøy i denne bruksanvisningen er ordrett, som påkrevd, fra den gjeldende standarden UL/CSA 62841-1. Denne delen inneholder generell sikkerhetspraksis for mange ulike typer el-verktøy. Ikke alle forholdsregler gjelder for hvert verktøy, og noen gjelder ikke for dette verktøyet.

- **Hvis el-verktøyet brukes utendørs, må det brukes en skjøteledning som er egnet for bruk utendørs.** Bruk av en ledning som er egnet for bruk utendørs, reduserer faren for elektrisk støt.
- **Hvis el-verktøyet må brukes i fuktige omgivelser, må det brukes en strømforsyning med jordfeilbryter.** Dette reduserer risikoen for elektrisk støt.

## Personlig sikkerhet

- **Vær årvåken og oppmerksom på det du gjør, og bruk sunn fornuft når du bruker el-verktøy. Bruk ikke el-verktøy hvis du er trett eller påvirket av narkotika, alkohol eller medisiner.** Et øyeblikks uoppmerksomhet når du bruker el-verktøy kan føre til alvorlig personskade.
- **Bruk personlig verneutstyr. Bruk alltid øyebeskyttelse/vernebriller.** Bruk av verneutstyr når det trengs, som støvmaske, vernesko med antisklisåle, hjelm og hørselsvern, reduserer risikoen for personskader.
- **Forhindre utilsiktet start av utstyret. Sørg for at bryteren står i stillingen OFF før du kobler verktøyet til en strømkilde og/eller batteripakke, plukker det opp eller bærer det.** Hvis du bærer el-verktøy med fingeren på bryteren eller batteridrevne el-verktøy med bryteren ON, ber du om ulykker.
- **Fjern alle justeringsnøkler eller skiftenøkler før du slår el-verktøyet på (ON).** En skiftenøkkel eller justeringsnøkkel som er festet til den roterende delen av el-verktøyet kan føre til personskade.
- **Ikke strekk deg for langt. Sørg for å ha sikkert fotfeste og god balanse hele tiden.** Dette gir bedre kontroll over el-verktøyet i uforutsette situasjoner.
- **Sørg for å være riktig kledd. Unngå løstsittende klær eller smykker. Hold hår, klær og hansker unna bevegelige deler.** Løse klær, smykker eller langt hår kan sette seg fast i bevegelige deler.
- **Hvis det er mulighet for tilkobling av enheter for støvuttrekking og støvoppsamling, må slike enheter kobles til og brukes riktig.** Bruk av støvoppsamlere kan redusere risiko forbundet med støv.
- **Ikke la erfaringer fra hyppig bruk av verktøy gjøre deg uvøren og overse sikkerhetsprinsippene for verktøy.** En uforsiktig handling kan forårsake alvorlig personskade på en brøkdel av et sekund.

## Bruk og håndtering av elektrisk drevet verktøy

- **Ikke bruk makt på el-verktøyet. Bruk riktig el-verktøy til anvendelsen.** Bruk av riktig el-verktøy sikrer at jobben utføres bedre, sikrere og i samsvar med utstyrets tiltenkte bruksområde.

- **Ikke bruk el-verktøyet dersom PÅ/AV-knappen (ON/OFF) ikke virker.** El-verktøy som ikke kan kontrolleres med bryteren, er farlig, og må repareres.
- **Trekk ut støpselet fra kontakten fra strømkilden og/eller fjern batteripakken fra el-verktøyet før du foretar noen justeringer, bytter tilbehør eller plasserer el-verktøyet for oppbevaring.** Slike forebyggende sikkerhetstiltak reduserer risikoen for at el-verktøyet kan startes opp ved et uhell.
- **Oppbevar el-verktøy som ikke er i bruk utenfor barns rekkevidde og der det er utilgjengelig for andre som ikke er fortrolige med el-verktøyet eller disse instruksjonene for bruk av el-verktøyet.** El-verktøy er farlige i hendene på brukere som ikke har fått opplæring.
- **Vedlikehold av el-verktøy. Kontroller at det ikke er feiljusteringer eller kiling i bevegelige deler, og at det ikke er brudd på deler eller andre forhold som kan redusere el-verktøyets ytelse. Hvis el-verktøyet er skadet, må det repareres før bruk.** Mange ulykker skyldes dårlig vedlikeholdte el-verktøy.
- **Kutteverktøy må holdes skarpe og rene.** Riktig vedlikeholdte kutteverktøy med skarpe kuttekanter vil redusere risikoen for kiling, og de er lettere å kontrollere.
- **Bruk el-verktøy, tilbehør og verktøybits osv. i samsvar med disse instruksjonene, og ta hensyn til forholdene på arbeidsstedet og arbeidet som skal utføres.** Bruk av el-verktøyet til andre formål enn de er ment for kan føre til en farlig situasjon.
- **Hold håndtak og gripeflater tørre, rene og fri for olje og fett.** Glatte håndtak og gripeflater gir ikke sikker håndtering og kontroll over verktøyet i uventede situasjoner.

## Bruk og håndtering av batteridrevne verktøy

- **Lad kun batteriet opp med lader som er spesifisert av produsent.** Å bruke en lader for én type batteripakke til en annen type, kan forårsake risiko for brann.
- **Bruk kun el-verktøy med batteripakker som er spesifikt utformet for det.** Bruk av andre batteripakker kan forårsake risiko for personskade og brann.
- **Når batteripakken ikke er i bruk, må den holdes unna andre metallobjekter, som binders, mynter, nøkler, spikre, skruer eller andre små metallobjekter som kan skape forbindelse fra en terminal til en annen.** Hvis batteriets poler kortsluttes, kan det forårsake brannskår eller brann.
- **Ved misbrukstilstander kan væske støtes ut fra batteriet. Unngå kontakt. Hvis kontakt oppstår utilsiktet, skylles med vann. Hvis væsken kommer i kontakt med øyne, skyl med vann og kontakt lege.** Væske som kommer ut av batteriet kan forårsake irritasjon eller brannskår.

- **Ikke bruk en batteripakke eller verktøy som er skadet eller modifisert.** Skadde eller modifiserte batterier kan vise uforutsigbar adferd som kan medføre brann, eksplosjon eller fare for personskader.
- **Ikke utsett en batteripakke eller et batteriverktøy for flammer eller overtemperatur.** Hvis batteriene utsettes for flammer eller temperaturer over 265 °F (130 °C), kan det forårsake eksplosjon.
- **Følg alle ladeinstruksjoner og ikke lad batteripakken utenfor temperaturområdet som er spesifisert i bruksanvisningen.** Feilaktig lading eller lading ved temperaturer utenfor det spesifiserte området kan føre til skade på batteriet og øke risikoen for brann.

### Vedlikehold

- **El-verktøyet skal vedlikeholdes av en kvalifisert reparatør, og det skal bare brukes identiske reservedeler.** Dette vil sikre at el-verktøyet sikkerhet opprettholdes.

## Spesifikk sikkerhetsinformasjon

### ⚠ ADVARSEL

Denne delen inneholder viktig sikkerhetsinformasjon som gjelder spesifikt for dette verktøyet.

**Les disse forholdsreglene grundig før du bruker pressverktøyet for å redusere risikoen for elektrisk støt eller andre alvorlige personskader.**

### **TA VARE PÅ ALLE ADVARSLER OG INSTRUKSJONER FOR FREMTIDIG REFERANSE!**

Et rom i bærekofferten er ment for oppbevaring av instruksjonsboken sammen med verktøyet for lett tilgang for brukeren.

### Sikker bruk av pressverktøy

- **Hold fingre og hender borte fra presstilbehør under pressesyklusen.** Fingre og hender kan bli knust, brukket eller amputert hvis de blir fanget mellom tilbehøret eller mellom komponentene og andre objekter.
- **Forsøk aldri å reparere skadet presstilbehør (pressbakker, pressring, aktuator osv.). Kasser hele det skadde tilbehøret.** Et tilbehør som er sveiset, slipt, boret eller modifisert på noen måte, kan splintre under pressing og medføre alvorlige personskader. Dersom ikke hele presstilbehøret skiftes ut, kan det medføre feil i komponenter og alvorlige personskader.
- **Det skapes store krefter under bruk som kan ødelegge eller kaste deler og forårsake personskade.** Hold avstand under drift og bruk beskyttende utstyr, inkludert vernebriller.

- **Bruk bare RIDGID® pressverktøy med korrekt RIDGID eller RIDGID-godkjent pressverktøy (pressbakker, pressringer, aktuatorer osv.).** Annen bruk eller modifisering av pressverktøyet for annet bruk kan skade pressverktøyet, skade tilbehøret og/eller forårsake personskader.
  - **Bruk riktig verktøy, tilbehør og presskoblingskombinasjoner.** Feil kombinasjoner kan medføre ufullstendig kobling som øker faren for lekkasjer, skade på utstyr og personskader.
  - **Før drift av et RIDGID® pressverktøy må du lese og forstå:**
    - Denne bruksanvisningen
    - Anvisninger for tilbehør
    - Anvisningene for batteri/lader
    - Anvisninger fra produsenten av rørdeler
    - Instruksjoner for alt annet utstyr eller materialer som brukes sammen med dette verktøyet
- Dersom advarslene og instruksjonene ikke følges, kan det føre til skade på eiendom og/eller alvorlig personskade.

## RIDGID® kontaktinformasjon

Hvis du har spørsmål vedrørende dette RIDGID®-produktet:

- Kontakt din lokale RIDGID-forhandler.
- Gå til [RIDGID.com](http://RIDGID.com) for å finne din lokale RIDGID-kontakt.
- Kontakt Ridge Tools tekniske serviceavdeling på e-postadressen [rttechservices@emerson.com](mailto:rttechservices@emerson.com), eller ring (800) 519-3456 i USA eller Canada.

## Beskrivelse

RIDGID® RP 350 og RP 351 Pressverktøy, når det benyttes sammen med tilhørende utstyr, er designet for å presse fast presskoblinger på rør mekanisk for å skape en vannrett og permanent tetning, til f.eks. vannrør, varmeanlegg, klimaanlegg og kjølesystemer. Tilbehør er også tilgjengelig for annen bruk.

Når kjørebryteren på pressverktøyet trykkes inn, driver en intern elektrisk motor en hydraulisk pumpe som sender væske inn i verktøyet sylinder, stempelet beveges forover for å legge kraft på tilbehøret og presse presskoblingen. Presssyklusen tar omtrent 4 sekunder. Når syklusen begynner å deformere en presskobling, vil den automatisk fortsette til den er ferdig, selv om kjørebryteren slippes.

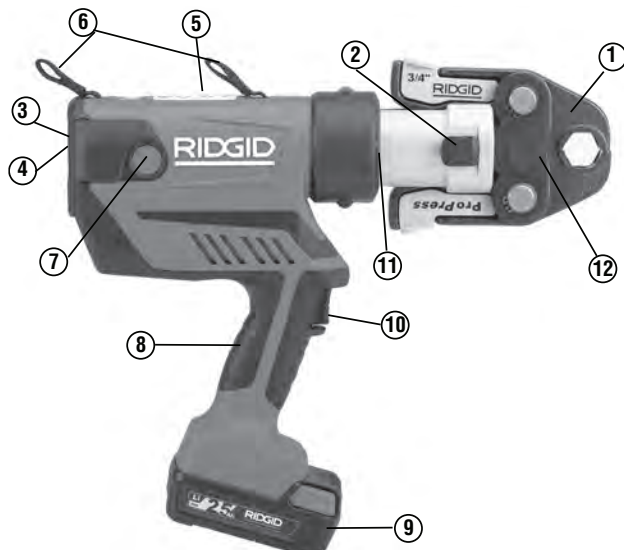
Verktøyet inneholder en ekstra driftsmodus ("kontrollmodus") som kan slås på ved å bruke RIDGID Link-appen. Kontrollmodus gjør at presskoblingen kan nås før pressingen for å bekrefte korrekt tilpasning av tilbehør, presskobling og rør.

Verktøyet statuslamper indikerer ting som f.eks. verktøyet status, batteristatus, nødvendig vedlikehold eller feil temperatur. En arbeidslampe slås PÅ når kjørebryteren trykkes

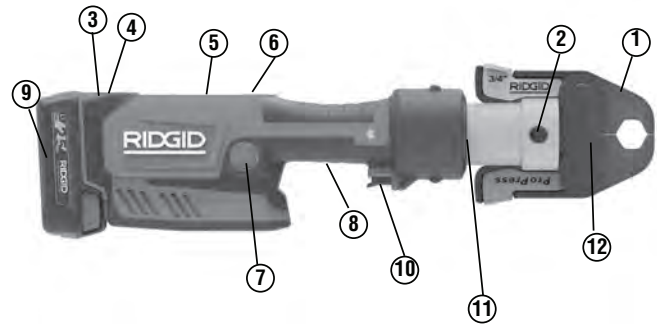


inn for å belyse arbeidsområdet. Hodet kan roteres 360° for bedre tilgang på trange steder.

Verktøyet leveres med stoffhemper som kan benyttes til å este passende skulderstropper eller sikringsline.



**Figur 1 – RIDGID RP 350 Pressverktøy og standard-serie pressbakker**



**Figur 2 – RIDGID RP 351 Pressverktøy og standard-serie pressbakker**



#	Beskrivelse	
1	Pressbakker av saksetype	7 Trykkutløserknapp (RP 351 motsatt side)
2	Monteringspinne for tilbehør	8 Håndtak
3	Verktøyets statuslamper	9 Batteri
4	ON/OFF-knapp (PÅ/AV-knapp)	10 Run-bryter
5	Varselsetikett (RP 351 Underside)	11 LED arbeidslys
6	Stoffhempe	12 Sideplate for pressbakke

Pressverktøyene har trådløs Bluetooth®-teknologi for å kunne kobles til smarttelefoner og nettbrett. Se avsnittet "Bluetooth-funksjoner (trådløs dataoverføring)" for informasjon.

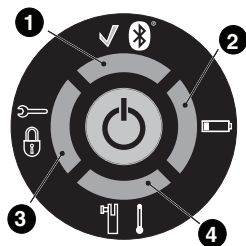
\* Bluetooth®-varemerket og logoer er registrerte varemerker hos Bluetooth SIG, inc og all bruk av slike merker hos Emerson Electric Co. er under lisens. Andre varemerker og handelsnavn hører til de respektive eierne.



**Figur 3 – Maskinens serienummer - Tall med sirkel indikerer produksjonsår og måned. (YY = år, MM = måned).**

Betjening	Merke	Beskrivelse
<b>PÅ/AV-knapp</b>		Hovedstrømbryter for verktøy. (I = ON (PÅ), O = OFF (AV)). ON (PÅ): Trykk knappen inntil lampen tennes. <i>Se Figur 5 – Verktøyets statuslamper.</i> OFF (AV): Trykk på knappen til lampen slukkes. Verktøyet slår seg automatisk AV (OFF) dersom det ikke har vært i bruk i løpet av ti (10) minutter.
<b>Run-bryter</b>	—	<b>Slå på arbeidslys:</b> Trykk kjørebryter litt. <b>Normalmodus:</b> Trykk inn kjørebryter for å starte press-syklusen, slipp når verktøyet låses. Normalmodus er fabrikkinnstilling. <b>Kontrollmodus:</b> Trykk inn kjørebryteren for å sette an tilbehøret på arbeidsstykket. Utfør nødvendige justeringer. Trykk kjørebryteren igjen for å starte press-syklusen, frigjør når verktøyet låses. Verktøyet vil ikke stoppe når det har låst seg fast, selv om du slipper bryteren. Dette sørger for konsekvent presskoblingsintegritet som kan gjentas. Modus kan endres med RIDGID Link-appen, <i>se avsnittet Bluetooth-funksjoner.</i>
<b>Trykkutløserknapp</b>		Tillater at verktøyet frigjøres uten å fullføre presset. Hvis det brukes, er presskoblingen ikke fullført og må gjentas.
<b>Monteringspinne for tilbehør</b>	—	Holder tilbehøret på verktøyet. Må være satt helt inn for at verktøyet skal fungere. <i>Se Figur 6.</i>



Figur 4 – Skjema over betjeningselementene



Lys segmentnummer (Lampe kontinuerlig på)				Beskrivelse
1	2	3	4	
—	—	—	—	Pressverktøy av (OFF).
Grønt	Grønt	Grønt	Grønt	PÅ-knappen trykket inn, lyser 4 sekunder ved oppstart, verktøy i "Normalmodus".
Blå	Blå	Blå	Blå	PÅ-knappen trykket inn, lyser i 4 sekunder ved oppstart, verktøy i "Kontrollmodus" - se avsnittet <i>Bluetooth-funksjoner</i> for å endre modus.
Grønt	—	—	—	Pressverktøy i Normalmodus, hvilestilling, pressverktøy klart til bruk.
Rødt	Gult	Gult	Gult	Verktøyet har sviktet. Verktøyet virker ikke. Fjern og sett inn igjen batteri eller vekselstrømadapter. Hvis lyset fortsatt er på, må verktøyet vedlikeholdes.
Rødt	—	—	—	Verktøyet har sviktet. Verktøyet virker ikke. Fjern og sett inn igjen batteri eller vekselstrømadapter. Hvis det røde lyset fortsatt er på, må verktøyet vedlikeholdes.
Gult	—	Rødt	Rødt	Verktøy og/eller batteri utenfor spesifikasjonens temperaturområde. Verktøyet virker ikke. Flytt verktøyet og batteriet til et område med riktig driftstemperatur.
Gult	—	—	Rødt	Monteringspinne for tilbehør er ikke satt helt inn. Verktøyet virker ikke. Sett pinnen helt inn. Hvis lampen fortsatt er på, må verktøyet vedlikeholdes.
Gult	Rødt	—	—	Lavt batterinivå. Verktøyet virker ikke. Lad batteriet på nytt/ Sett inn fullt oppladde batterier.
Grønt	Blå	Blå	Blå	Bluetooth-kontakt etablert, hvilestilling, pressverktøy klart til bruk - For ytterligere informasjon, se avsnittet <i>Bluetooth-funksjoner</i> .
		Lilla		Fastvareoppdatering pågår, verktøy kan ikke brukes under oppdatering.

Figur 5 – Verktøyets statuslamper

## Spesifikasjoner

	<b>RP 350 Pistol-pressverktøy</b>	<b>RP 351 Integreert pressverktøy</b>
Tilbehør .....	RIDGID Standardserie	RIDGID Standardserie
Slaglengde.....	1.57" (40 mm)	1.57" (40 mm)
Motor		
Spenning.....	18 V DC nominell	18 V DC nominell
Strømforbruk.....	23 A	23 A
Effekt .....	480 watt	480 watt
Slagkraft.....	7200 lb (32 kN)	7200 lb (32 kN)
Hoderotasjon .....	360°	360°
Effektsyklus.....	3 Press  /min	3 Press  /min
Strømforsyning.....	RIDGID RB-18XX-serie 18 V Li-Ion batteripakke eller RIDGID RPA 120/220 AC strømadapter (Se avsnittet Ekstraustyr)	
Bluetooth rekkevidde .....	33 ft (10 m)	33 ft (10 m)
Tillatt luftfuktighet.....	maksimalt 80 %	maksimalt 80 %
Driftstemperaturområde .....	15 °F til 122 °F (-10 °C til 50 °C)	15 °F til 122 °F (-10 °C til 50 °C)
Lagringstemperatur.....	32 °F til 113 °F (0 °C til 45 °C)	32 °F til 113 °F (0 °C til 45 °C)
Vekt (ingen batteri/tilbehør).....	7.83 lb (3,55 kg)	7.83 lb (3,55 kg)
Dimensjoner .....	11.3" x 11.0" x 3.1" 287 mm x 279 mm x 77 mm	15.7" x 4.65" x 3.1" 398 mm x 118 mm x 77 mm
Lydtrykk (L <sub>PA</sub> )* .....	<74,5 dB(A), K=3 dB(A)	<74,5 dB(A), K=3 dB(A)
Vibrasjon* .....	<1,13 m/s <sup>2</sup> , K=1,5	<1,13 m/s <sup>2</sup> , K=1,5

\* Lyd- og vibrasjonsmål blir målt i henhold til en standardisert test iht. standarden EN 62481-1.

- Vibrasjonsnivåer kan brukes for sammenligning med andre verktøy og for foreløpig vurdering av eksponering.

- Lyd- og vibrasjonsemissjoner kan variere ut fra sted og spesifikk bruk av disse verktøyene.

- Daglige eksponeringsnivåer for lyd og vibrasjon må evalueres for hver bruk, og egnede sikkerhetstiltak må iverksettes om nødvendig. Evaluering av eksponeringsnivåer må ta tiden et verktøy er slått av og ikke i bruk, med i beregningene. Dette kan redusere eksponeringsnivået betraktelig i løpet av den totale arbeidsperioden.

## Standardutstyr

Se RIDGID-katalogen for detaljer om utstyr med spesifikke verktøykatalognummer.

OBS! RIDGID pressverktøytilbehør tilbys i to "serier"

- Standardserie
- Kompaktserie

Disse tilbehørseriene må ikke forbyttes. Standardserietilbehør virker bare med standardserieverktøy (RP 350, RP 351, RP 342-XL, RP 340, RP 330, 320-E, CT-400). Kompaktserietilbehør virker bare med kompaktserieverktøy (RP 240, RP 241, RP 200, RP 210, 100B).

**MERK** Valg av egnede materialer og skjøtemetoder er systemdesigneren og/eller installatørens ansvar. Før det forsøkes noen montering må det utføres en nøye evaluering av det spesielle servicemiljøet, inkludert kjemisk miljø og service-temperatur. Ta kontakt med produsenten for presskoblings-systemet for informasjon om valg.

## Inspeksjon førdrift

### ⚠ ADVARSEL



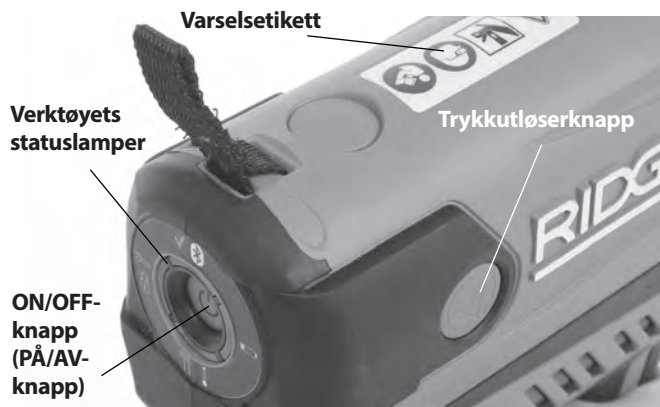
**Sjekk pressverktøyet daglig før bruk, og rett opp i eventuelle problemer for å redusere risikoen for alvorlig personskader som elektrisk støt, klemskader, utstyrssvikt eller andre skader, og for å forhindre at verktøyet blir ødelagt.**

**trisk støt, klemskader, utstyrssvikt eller andre skader, og for å forhindre at verktøyet blir ødelagt.**

1. Slå AV verktøyet og fjern batteri/vekselstrømadapter fra verktøyet.
2. Fjern olje, fett eller smuss fra utstyret, spesielt håndtakene og betjeningsenhetene. Dette gjør inspeksjonen lettere og bidrar til å hindre at du mister taket på verktøyet eller betjeningsenhetene.
3. Sjekk pressverktøyet for:
  - Riktig montering og vedlikehold og at den er komplett.
  - Ødelagte, slitte, manglende, feilinnrettede eller fastsittende deler. Bekreft at stoffhemper har god tilstand.
  - Jevn bevegelse i tilbehørets monteringspinne mellom helt åpen og helt lukket posisjon. Pinnen skal kunne låses i alle posisjoner. Bekreft at kjørebryteren beveger seg fritt og ikke kiles eller sitter fast.

- Varselskilt er til stede og leselige (se Figur 6).
- Andre forhold som kan forhindre trygg og normal drift.

Ikke bruk pressverktøyet før problemer er reparert



Figur 6 – Statuslamper/varseletikett

4. Inspiser og vedlikehold verktøytilbehør i henhold til instruksjoner. Fjern tilbehør fra verktøyet. Bekreft at tilbehøret er i god tilstand og tydelig merket for bruk.
5. Undersøk og vedlikehold alt annet utstyr som brukes i henhold til instruksjonene for å sikre at alt fungerer som det skal.

## Klargjøring og bruk

### ⚠ ADVARSEL



**Hold fingre og hender borte fra verktøytilbehør under pressesyklusen. Fingre og hender kan klemmes, brekkes eller amputeres i tilbehøret, i verktøyet, mellom verktøyhodet og tilbehøret, arbeidsstykket og andre objekter.**

**Det skapes store krefter under bruk som kan ødelegge eller kaste deler og forårsake personskade. Hold avstand under drift og bruk beskyttende utstyr, inkludert vernebriller.**

**Bruk riktig verktøy, tilbehør og presskoblingskombinasjoner. Feil kombinasjoner kan føre til ufullstendig presskobling, noe som øker risikoen for lekkasje, skade på utstyr og personskade.**

**Følg Oppsett og Drift for å redusere risikoen for personskader som klemskader eller andre skader, og for å forhindre at verktøyet blir ødelagt.**

1. Bekreft passende arbeidsområde (Se *Generelle sikkerhetsadvarsler for el-verktøy*). Bruk verktøyet på et ryddig, jevnt, stabilt og tørt sted. Ikke bruk verktøyet når du står i vann.

2. Inspiser arbeidet som skal gjøres og bestem korrekt RIDGID-verktøy og RIDGID-tilbehør for applikasjonen i henhold til spesifikasjonene. Bruk av feil utstyr kan forårsake personskade, ødelegge verktøyet og lage ufullstendige koblinger.
3. Bekreft at alt utstyr er kontrollert og satt opp i samsvar med instruksjonene.

## Fjerne/installere tilbehør

1. Slå AV verktøyet og fjern batteri/vekselstrømadapter fra verktøyet.
2. Åpne tilbehørets monteringspinne helt. Fjern/sett inn aktuelt tilbehør (Figur 7).
3. Lukk tilbehørets monteringspinne helt inntil den låses i den lukkede posisjonen. Tilbehørets monteringspinne må være helt lukket for å hindre skader på verktøyet under bruk. Verktøylamper vil bli tent for å indikere, se Figur 5 for verktøyets statuslamper.

OBS! Ikke bruk verktøyet uten tilbehøret på plass, dette kan skade verktøyet.



Figur 7 – Monteringspinne for tilbehør

## Forberede tilkobling

**MERK** Disse instruksjonene er generelle arbeidsmåter for flere typer av pressverktøytilbehør. Følg alltid spesifikke instruksjoner for pressverktøytilbehøret som brukes og presskoblingsproduktens spesifikke monteringsinstruksjoner for å redusere faren for ukorrekte presskoblinger og omfattende skade på eiendom.

1. Klargjør presskoblingen i henhold til presskoblingsproduktens instruksjoner.
2. Sett inn et fulladet batteri eller vekselstrømadapter i verktøyet med tørre hender. Hvis den ledningskoblede strømadapteren benyttes med en jordfeilbryter (GFCI), skal jordfeilbryterens (RCD) ha en nominell reststrøm på 30 mA eller mindre. Trykk inn PÅ/AV-knappen en gang for å slå verktøyet PÅ. Alle lysdiodene vil lyse grønt som indikerer at verktøyet er klart til bruk. Se Figur 5 - Verktøyets statuslamper for alle andre lamper.

## Presse en kobling med typiske pressbakker

1. Hold verktøyet korrekt med begge hender.

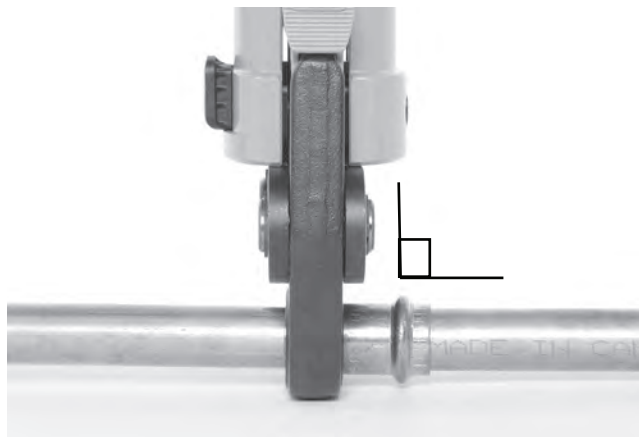


**Figur 8 – Holde verktøyet**

2. Klem pressbakkene for å åpne dem.
3. Plasser åpne pressbakker rundt presskoblingen (Figur 9). Juster pressbakkeprofil riktig til konturen av presskoblingen som spesifisert i koblingsprodusentens monteringsinstruksjoner. Frigjør pressbakkearmene for å lukke pressbakkene rundt presskoblingen. Ikke heng kjevesettet fra presskoblingen. Verktøyet kan plutselig falle og forårsake alvorlige personskader eller dødsfall.



**Figur 9 – Plassering av pressbakkene rundt presskoblingen**



**Figur 10 – Pressbakkene vinkelrett på koblingen**

4. Bekreft at pressbakken er riktig plassert og i rett vinkel til presskoblingen (Figur 10). Hold fingre og hender unna pressbakkene for å unngå knuseskader i ressbakkene eller mellom pressbakkene og omgivelsene.

**Normalmodus:** Trykk inn kjørebryteren (Figurene 1 og 2). Når verktøyssyklusen starter og rullene får kontakt med kjevearmene, vil verktøyet låse seg fast og automatisk fullføre syklusen. Verktøyet vil ikke stoppe når det har låst seg fast, selv om du slipper bryteren. Dette sørger for konsekvent presskoblingsintegritet som kan gjentas.

**Kontrollmodus:** Trykk inn kjørebryteren (Figurene 1 og 2). Pressbakkene griper presskoblingen, men presskoblingen er ikke laget. Utfør nødvendige justeringer. Trykk inn kjørebryteren igjen, verktøyet vil låse og automatisk fullføre syklusen. Verktøyet vil ikke stoppe når det har låst seg fast, selv om du slipper bryteren. Dette sørger for konsekvent presskoblingsintegritet som kan gjentas.

Hvis verktøyet må fjernes før en presskobling er fullført, må frigjøringsknappen for press (Figurene 1 og 2) trykkes inn.

**MERK** Når frigjøringsknappen er trykket inn, blir presskoblingen IKKE fullført og presskoblingen må presses igjen for å sørge for at den er fullført. Hvis verktøyet svikter under drift, må denne prosedyren følges.

5. Slipp bryteren.
6. Klem pressbakkene for å åpne dem.
7. Fjern pressbakken fra presskoblingen. Pass opp for skarpe kanter som kan ha dannet seg på presskoblingen under pressing.
8. Når operasjonen er fullført, trykkes en gang til på ON/OFF-knappen (PÅ/AV-knappen) for å slå OFF (AV) verktøyet. Fjern batteriet eller vekselstrømadapteren fra verktøyet.



## Presse en presskobling med typisk aktuator og pressringsett

1. Åpne ringen og plasser den rundt presskoblingen. Juster ringens pressprofil riktig til konturen av presskoblingen som spesifisert i *koblingsprodusentens monteringsinstruksjoner*. Slipp ringen så den lukker seg rundt presskoblingen (Figur 11).
2. Bekreft at riktig aktuator er korrekt installert i verktøyet. Klem på aktuatorarmene for å åpne aktuatorendene. Juster aktuatorendene til ringlommene. Slipp aktuatorarmene og la aktuatorendene gå på plass i ringlommene (Figur 12). Feiljusterte aktuatorender i forhold til ringlommene kan skade ringen eller aktuatoren under pressingen. Ikke heng verktøyet og aktuatoren etter pressringen. Verktøyet kan plutselig falle og forårsake alvorlige personskader eller dødsfall.



Figur 11 – Installere pressringen på utstyret



Figur 12 – Feste aktuatoren til pressringen

3. Bekreft at ringen er riktig plassert og i rett vinkel til presskoblingen. Hold fingre og hender unna aktuator og ring for å unngå knuseskader i utstyret eller mellom utstyret og omgivelsene.

**Normalmodus:** Trykk inn kjørebryteren (Figurene 1 og 2). Når verktøyssyklusen starter og rullene får kontakt med kjevearmene, vil verktøyet låse seg fast og automatisk fullføre syklusen. Verktøyet vil ikke stoppe når det har låst seg fast, selv om du slipper bryteren. Dette sørger for konsekvent presskoblingsintegritet som kan gjentas.

**Kontrollmodus:** Trykk inn kjørebryteren (Figurene 1 og 2). Pressbakkene griper presskoblingen, men presskoblingen er ikke laget. Utfør nødvendige justeringer. Trykk inn kjørebryteren igjen, verktøyet vil låse og automatisk fullføre syklusen. Verktøyet vil ikke stoppe når det har låst seg fast, selv om du slipper bryteren. Dette sørger for konsekvent presskoblingsintegritet som kan gjentas.

4. Hvis verktøyet må fjernes før en presskobling er fullført, må frigjøringsknappen for press (Figurene 1 og 2) trykkes inn.

**MERK** Når frigjøringsknappen trykkes inn, blir presset IKKE fullført og presskoblingen må presses igjen for å sørge for at den er fullført. Hvis verktøyet svikter under drift, må denne prosedyren følges.

5. Slipp bryteren.
6. Klem på aktuatorarmene for å åpne aktuatoren. Fjern aktuatoren fra utstyret.
7. Fjern ringen fra utstyret. Pass opp for skarpe kanter som kan ha dannet seg på presskoblingen under pressing.
8. Når operasjonen er fullført, trykkes en gang til på ON/OFF-knappen (PÅ/AV-knappen) for å slå OFF (AV) verktøyet. Fjern batteriet eller vekselstrømadapteren fra verktøyet.

## Inspeksjon av den ferdige presskoblingen

1. Kontroller presskoblingen for:
  - Fullstendig innføring av rør i presskoblingen.
  - Overdreven feiltilpasning av rørene. En liten feiltilpasning ved en presskobling anses som normalt.
  - Ukorrekt tilpasning av tilbehøret til presskoblingskontur. Forvrengt eller deformert presskobling.
  - Alle andre problemer i henhold til presskoblingsprodusenten. Dette kan inkludere fjerningen av styringen eller dekal (brukt for å indikere at koblingen ennå ikke er presset).

Dersom noen problemer oppdages, fjernes presskoblingen og det installeres en ny presskobling.

2. Test presskoblingen i samsvar med koblingsprodusentens instruksjoner, vanlig praksis og gjeldende normer.

## Bluetooth-funksjoner (trådløs dataoverføring)

Pressverktøyene RIDGID® RP 350 og RP 351 har trådløs Bluetooth®-teknologi som tillater trådløs dataoverføring til kompatible smarttelefoner eller nettbrett ("enheter") som kjører iOS- eller Android-operativsystemer.

1. Last ned riktig RIDGID® Link-app til din enhet ved å gå til RIDGID.com/apps eller ved å gå til Google Play butikk eller Apple App Store.
2. Når verktøyet er ON (PÅ), kan en enhet utstyrt med trådløs Bluetooth-teknologi finne og koble seg til pressverktøyet. Velg ønsket RIDGID-verktøy i Bluetooth-innstillingene på din enhet. Se instruksjonene for din enhet for spesifikk informasjon om hvordan det tilkobles via trådløs Bluetooth-teknologi. Når den er tilkoblet, tennes statuslampene på verktøyet med grønt-blått-blått-blått.  
Etter den opprinnelige koblingen vil de fleste enhetene kobles automatisk til verktøyene når trådløs Bluetooth-teknologi er aktiv og innen rekkevidde og hvis enhetens innstillinger er konfigurert for dette. Pressverktøy skal være mindre enn 33 ft (10 m) fra enheten som skal oppdages. Alle hindringer mellom verktøyet og enheten kan redusere driftsrekkevidden.
3. Følg app-instruksjonene for korrekt bruk. Driftsmodus kan endres via appen. Appen tillater også overvåking av verktøysykluser.
4. Den trådløse dataoverføringen slås AV når pressverktøyet er slått AV. Slå den trådløse Bluetooth-enheten AV for å redusere batteritap i enheten.

### Bruk i kalde omgivelser

Når temperaturen faller, tykner hydraulikkvæsken og batteriets ytelse reduseres. For å redusere faren for feilfunksjon vil RP 350 og RP 351 ikke kunne betjenes utenfor spesifisert temperaturområde som angitt av statuslampene for verktøyet (Figur 5).

Når omgivelsesforholdene er utenfor det spesifiserte temperaturområdet, oppbevar verktøyet og batteriene i et oppvarmet rom til at utstyret skal brukes.

### Oppbevaring

Fjern batteriet eller vekselstrømadapteren fra pressverktøyet. Oppbevar pressverktøyet og batteriet i kofferten. Unngå oppbevaring i ekstrem hete eller kulde. Verktøyet vil ikke bli slått PÅ hvis verktøyet er utenfor spesifikasjonens område. Dette indikeres av verktøyets statuslamper. (Se Figur 5)

**⚠ ADVARSEL** Oppbevar verktøyet på et tørt, sikkert og låst sted som er utenfor barns rekkevidde og der det er utilgjengelig for andre som ikke er fortrolige med pressverktøyet. Verktøyet er farlig i hendene på brukere som ikke har fått opplæring.

## Instruksjoner for vedlikehold

### ⚠ ADVARSEL

**Sørg for at verktøyet er slått AV og batteriet eller vekselstrømadapteren er fjernet fra verktøyet før det utføres vedlikehold eller noen justeringer.**

### Rengjøring og smøring

1. Tørk av verktøyet utvendig hver dag med en tørr ren fille.
2. Kontroller monteringspinnen for tilbehør og smør pinnen med silikonbasert smøremiddel etter behov.
3. Kontroller retur fjærer i tilbehør med enkel bruk. Tilbehør skal åpne og lukke fritt med bare moderat fingerstyrke.

## Vedlikehold og reparasjon

### ⚠ ADVARSEL

**Feil service eller reparasjon kan gjøre verktøyet farlig å bruke.**

Service og reparasjon av pressverktøyet RP 350 og RP 351 må utføres av et uavhengig RIDGID-servicesenter for pressverktøy.

For informasjon om ditt nærmeste autoriserte uavhengige RIDGID-servicesenter eller for spørsmål om service eller reparasjon, se avsnittet *Kontaktinformasjon* i denne manualen.

## Feilsøking

SYMPTOM	MULIGE ÅRSAKER	LØSNING
<b>Verktøyet kan ikke slås PÅ når PÅ/AV-knappen trykkes.</b>	Batteriet er helt utladet, eller batteriet har sviktet. Batteriet er ikke satt korrekt inn i verktøyets håndtak Vekselstrømadapteren ikke satt korrekt inn i verktøyet.	Sett inn fulladet batteri/lad batteri. Sjekk at batteriet er satt helt inn. Sett vekselstrømadapteren korrekt inn i verktøyet.
<b>Pressbakken er låst på presskoblingen.</b>	Presskoblingen ble ikke fullstendig fullført.	Trykk trykkutløserknappen for å fjerne pressbakker fra presskoblingen. Inspiser og press presskoblingen igjen.
<b>Presskoblingene er ikke fullstendig fullførte.</b>	Brukt feil pressbakker for rørdimensjonen eller materialet. Verktøyet var ikke montert vinkelrett på røret. Tilbehørets presskontur ble ikke rett i forhold til presskoblingens kontur. Verktøyet trenger reparasjon.	Installer riktig tilbehør. Gjenta presskoblingen med ny presskobling og nytt rør. Sørg for at verktøyet er rett mot røret. Gjenta koblingen med nytt rør og ny presskobling. Sørg for at tilbehørets presskontur er tilpasset i forhold til presskoblingens kontur. Lever til service.
<b>Olje lekker fra verktøyet.</b>	Pakning eller mekanisk problem.	
<b>Motoren går, men verktøyet vil ikke fullføre en syklus.</b>	Oljenivå lavt.	Lever til service.
<b>Verktøyet stopper under bruk.</b>	Oljenivå lavt.	

Se Figur 5 – Verktøyets statuslamper

## Tilleggsutstyr

### ⚠ ADVARSEL

For å redusere risikoen for alvorlige personskader får det kun benyttes utstyr som er spesielt designet og anbefalt for bruk sammen med pressverktøyene RP 350 og RP 351, som oppført i listen nedenfor.

### Batteri og adapterpakker

Katalognr.	Beskrivelse
56513	RB-1825 18 V 2,5 Ah litiumionbatteri
56518	RB-1850 18 V 5,0 Ah litiumionbatteri
44468	120 AC strømadapter – Nord-Amerika
43338	220 AC strømadapter – Europa
44823	120 AC strømadapter – Kina

## Ladere og ledninger

Katalognr.		Region	Plugg type
64383	RBC-30 lader	Nord-Amerika	A
56523	RBC-30 lader	Europa	C
64388	RBC-30 lader	Kina	A
64393	RBC-30 lader	Australia	I
64378	RBC-30 lader	Japan	A
64398	RBC-30 lader	Storbritannia	G
64173	RBC-30 Ladekabel	Nord-Amerika	A
64183	RBC-30 Ladekabel	Europa	C

For en fullstendig liste over RIDGID-utstyr som er tilgjengelig for disse verktøyene, se Ridge Tool-katalogen online på [RIDGID.com](http://RIDGID.com) eller se *Kontaktinformasjon*.

## Avfallshåndtering

Deler av dette verktøyet inneholder verdifulle materialer som kan resirkuleres. Det kan finnes lokale selskaper som spesialiserer seg på resirkulering. Kasser komponentene i samsvar med alle gjeldende bestemmelser. Kontakt dine lokale myndigheter for mer informasjon om avfallshåndtering.



**For land i EF:** Ikke kast elektrisk utstyr sammen med husholdningsavfall!

Ifølge EU-direktivet 2012/-19/EU for elektrisk avfall og elektronisk utstyr og implementeringen i nasjonal lovgivning, må elektrisk utstyr som ikke lenger kan brukes, samles inn separat og kasseres på riktig måte med hensyn til miljøet.

## Elektromagnetisk kompatibilitet (EMC)

Elektromagnetisk kompatibilitet (EMC) betyr produktets evne til å fungere jevnt i omgivelser hvor det finnes elektromagnetisk stråling og elektrostatisk utlading, uten at det forårsaker elektromagnetisk interferens på andre instrumenter.

**MERK** Disse verktøyene samsvarer med alle gjeldende EMC-standarder. Det er imidlertid umulig å utelukke muligheten for interferens på andre apparater. Alle EMC-relaterte standarder som har blitt testet nevnes i verktøyets tekniske dokument.

## FCC/ICES-uttalelse

Denne enheten samsvarer med del 15 i FCC-reglene. Drift er gjenstand for følgende to betingelser:

1. Dette utstyret kan ikke forårsake skadelig interferens.
2. Dette utstyret må akseptere mottatt interferens, inkludert interferens som kan føre til uønskede operasjoner.

Endringer som ikke er uttrykkelig godkjent av dette firmaet, kan ugyldiggjøre brukerens tillatelse til å operere utstyret. Dette utstyret er testet og funnet innenfor grensene til en Klasse A digital enhet, i samsvar med del 15 i FCC-reglene. Disse grensene er utformet for å levere rimelig beskyttelse mot skadelig påvirkning når utstyret betjenes i et kommersielt miljø. Dette utstyret genererer, bruker og kan sende ut radiofrekvensenergi og kan forårsake skadelig interferens på radiokommunikasjon dersom det ikke brukes i samsvar med instruksjonshåndboken. Drift av utstyret i et boområde vil sannsynligvis medføre skadelig interferens og i så fall vil brukeren bli bedt om å korrigere interferensen på egen kostnad.

Dette produktet samsvarer med de Kanadiske ICES-003 klasse A spesifikasjonene. *Se deklarasjonsmerkingen på verktøyet.*





# RP 350/RP 351

## Puristustyökalut



### **VAROITUS!**

Lue tämä käyttäjän käsikirja huolellisesti ennen tämän työkalun käyttöä. Jos tämän käyttöohjeen sisältö ymmärretään väärin tai sitä ei noudateta, seurauksena voi olla sähköisku, tulipalo ja/tai vakava henkilövahinko.

#### RP 350/RP 351 Puristustyökalut

Merkitse sarjanumero alla olevaan tilaan ja säilytä tyypikilvessä näkyvä tuotteen sarjanumero.

Sarjanro

## Sisällysluettelo

<b>Tallennuslomake koneen sarjanumerolle</b> .....	161
<b>Turvasymbolit / symbolit</b> .....	163
<b>Yleiset sähkötyökaluihin liittyvät turvallisuusvaroitukset</b> .....	163
Työalueen turvallisuus .....	163
Sähtöturvallisuus .....	163
Henkilökohtainen turvallisuus .....	164
Sähkötyökalun käyttäminen ja hoitaminen .....	164
Akkutyökalun käyttäminen ja hoitaminen.....	164
Huolto .....	165
<b>Erityisiä turvallisuustietoja</b> .....	165
Puristustyökalun turvallisuus.....	165
<b>RIDGID®-yhteystiedot</b> .....	165
<b>Kuvaus</b> .....	165
<b>Tekniset tiedot</b> .....	168
Vakiovarusteet .....	168
<b>Tarkastus ennen käyttöä</b> .....	168
<b>Valmistelut ja käyttö</b> .....	169
Lisälaitteen irrotus/asennus .....	169
Liitännän valmistelu .....	169
Liittimen puristaminen tyypillisillä saksileuoilla.....	170
Liittimen puristaminen tyypillisellä käyttölaiteella ja puristusrengassarjalla .....	171
Puristetun liitännän tarkastus.....	171
Bluetooth-toiminnot (langaton tiedonsiirto) .....	172
Käyttö kylmällä säällä .....	172
<b>Säilytys</b> .....	172
<b>Huolto-ohjeet</b> .....	172
Puhdistus ja voitelu .....	172
<b>Huolto ja korjaus</b> .....	172
<b>Vianmääritys</b> .....	173
<b>Lisävarusteet</b> .....	174
<b>Hävittäminen</b> .....	174
<b>Sähkömagneettinen yhteensopivuus (EMC)</b> .....	174
<b>FCC/ICES-lausunto</b> .....	174
<b>EY-vaatimustenmukaisuusvakuutus</b> .....	Takakannen sisäpuoli
<b>Elinikäinen takuu</b> .....	Takakansi

\*Alkuperäisten ohjeiden käännös

## Turvasymbolit / symbolit

Tässä käyttäjän käsikirjassa ja tuotteessa annetaan tärkeitä turvallisuustietoja käyttämällä turvallisuussymboleja ja signaalisanoja. Tässä osiossa kuvataan nämä signaalisanat ja symbolit.



Tämä on turvallisuusasiasta varoittava symboli. Sitä käytetään varoittamaan mahdollisesta henkilövahingon vaarasta. Noudata symbolin perässä annettuja turvallisuusohjeita, jotta vältät mahdollisen henkilövahingon tai kuoleman.



**VAARA** VAARA tarkoittaa vaarallista tilannetta, joka johtaa kuolemaan tai vakavaan henkilövahinkoon, ellei sitä vältetä.



**VAROITUS** VAROITUS tarkoittaa vaarallista tilannetta, joka voi johtaa kuolemaan tai vakavaan henkilövahinkoon, ellei sitä vältetä.



**HUOMIO** HUOMIO tarkoittaa vaarallista tilannetta, josta voi olla seurauksena lievä tai kohtuullinen loukkaantuminen, ellei sitä vältetä.



**HUOMAUTUS** HUOMAUTUS tarkoittaa tietoja, jotka auttavat välttämään omaisuusvahinkoja.



Tämä symboli tarkoittaa, että käyttäjän käsikirja on luettava huolellisesti ennen laitteen käyttämistä. Käyttäjän käsikirja sisältää tärkeitä tietoja laitteen turvallisesta ja oikeaoppisesta käytöstä.



Tämä symboli tarkoittaa, että tätä laitetta käytettäessä on aina käytettävä sivusuojuksilla varustettuja turvalaseja tai suojalaseja silmävaurioiden välttämiseksi.



Tämä symboli tarkoittaa käsien, sormien tai kehon muiden osien puristumisvaaraa.



Tämä symboli tarkoittaa sähköiskun vaaraa.



Tämä symboli tarkoittaa, että tuote on tarkoitettu ainoastaan sisäkäyttöön.



Tämä symboli tarkoittaa, että tuote on Luokan II laite.



Tämä symboli tarkoittaa, että tätä sähkölaitetta ei saa hävittää kotitalousjätteen mukana. *Katso kohta "Hävittäminen".*



Tämä symboli ilmaisee, että sähkölaite täyttää sovellettavien EY-direktiivien vaatimukset.



Tämä symboli ilmaisee tuotteen valmistusvuoden.

## Yleiset sähkötyökaluihin liittyvät turvallisuusvaroitukset\*

### VAROITUS

**Lue kaikki turvallisuusvaroitukset, ohjeet, kuvat ja erittelyt ennen tämän sähkötyökalun käyttöä. Jos kaikkia seuraavassa lueteltuja ohjeita ei noudateta, seurauksena saattaa olla sähköisku, tulipalo ja/ tai vakava henkilövahinko.**

### SÄILYTÄ KAIKKI VAROITUKSET JA OHJEET MYÖHEMPÄÄ KÄYTTÖÄ VARTEN!

Varoituksissa käytettävä termi "sähkötyökalu" viittaa verkkovirtakäyttöisiin sähkötyökaluihin (joissa on virtajohto) sekä akkukäyttöisiin sähkötyökaluihin (joissa ei ole virtajohtoa).

### Työalueen turvallisuus

- Pidä työalue siistinä ja hyvin valaistuna. Epäsiisti tai pimeä työalue altistaa onnettomuuksille.

- Älä käytä sähkötyökaluja räjähdysriskissä ympäristöissä, kuten syttyvien nesteiden, kaasujen tai pölyn läheisyydessä. Sähkötyökaluista syntyy kipinöitä, jotka saattavat sytyttää pölyn tai höyryt.
- Älä käytä sähkötyökalua lasten tai sivullisten läheisyydessä. Häiriötekijät saattavat johtaa hallinnan menettämiseen.

### Sähköturvallisuus

- Sähkötyökalun pistokkeiden on sovittava pistorasiaan. Pistoketta ei saa koskaan muuttaa millään tavalla. Älä käytä pistokeadapttereita maadoitettujen sähkötyökalujen kanssa. Muokkaamattomat pistokkeet ja sopivat pistorasiat pienentävät sähköiskun vaaraa.
- Vältä kosketusta maadoitettuihin pintoihin, kuten putkiin, lämpöpattereihin, liesiin ja jääkaappeihin. Sähköiskun vaara kasvaa, jos kehosi on maadoitettu.
- Älä altista sähkötyökaluja sateelle tai märille olosuhteille. Sähkötyökaluun pääsevä vesi lisää sähköiskun vaaraa.

\*Tämän käyttöohjeen sähkötyökaluja koskevien yleisten turvallisuusvaroitusten osiossa käytetty teksti on soveltuvan standardin UL/CSA 62841-1 version mukainen. Tämä osa sisältää useiden erityyppisten sähkötyökalujen yleisiä turvallisuuskäytäntöjä. Kaikki varoitukset eivät päde kaikkiin työkaluihin ja jotkin niistä eivät päde tähän työkaluun.

- **Älä vahingoita virtajohtoa. Älä koskaan käytä virtajohtoa sähkötyökalun kantamiseen, vetämiseen tai irrottamiseen pistorasiasta. Älä altista virtajohtoa kuumuudelle, öljylle, teräville reunoille tai liikkuville osille.** Vialliset tai sotkeutuneet johdot lisäävät sähköiskun vaaraa.
- **Kun käytät sähkötyökalua ulkona, käytä ulkokäyttöön sopivaa jatkojohtoa.** Ulkokäyttöön tarkoitetun jatkojohdon käyttäminen vähentää sähköiskun vaaraa.
- **Jos sähkötyökalua käytetään kosteissa olosuhteissa, käytä vikavirtakatkaisimella (GFCI) suojattua virtalähdettä.** Vikavirtakatkaisimen käyttäminen vähentää sähköiskun vaaraa.

## Henkilökohtainen turvallisuus

- **Ole valppaana, keskity tekemiseesi ja käytä maalaisjärkeä käyttäessäsi sähkötyökalua. Älä käytä sähkötyökaluja väsyneenä tai huumeiden, alkoholin tai lääkkeiden vaikutuksen alaisena.** Hetkellinen valppauden menettäminen sähkötyökaluja käytettäessä voi johtaa vakaviin henkilövahinkoihin.
- **Käytä henkilösuojaimia. Käytä aina silmiensuojaimia.** Suojavarusteiden, kuten hengityssuojaimen, luistamattomien turvakenkien, suojakypärän ja kuulonsuojaimien käyttö vähentää henkilövahinkojen vaaraa.
- **Estä tahaton käynnistyminen. Varmista, että virtakytkin on OFF-asennossa, ennen kuin kytket virtalähteen ja/tai akun tai nostat tai kannat työkalua.** Varmista, että virtakytkin on OFF-asennossa, ennen kuin kytket virtalähteen ja/tai akun tai nostat tai kannat työkalua.
- **Poista säätöavaimet tai -työkalut ennen kuin kytket virran sähkötyökaluun.** Sähkötyökalun pyörivään osaan kiinni jätetty säätötyökalu tai avain saattaa johtaa henkilövahinkoon.
- **Älä kurottele. Pidä jalkasi tukevalla alustalla ja säilytä tasapainosi.** Näin voit parantaa sähkötyökalun hallintaa yllättävissä tilanteissa.
- **Pukeudu asianmukaisesti. Älä käytä löysiä vaatteita tai koruja. Pidä hiukset, vaatteet ja käsineet erossa liikkuvista osista.** Löysät vaatteet, korut tai pitkät hiukset voivat takertua liikkuviin osiin.
- **Jos laitteessa on liitانتä pölynpoistolle ja keräyslaitteille, varmista, että ne on liitetty ja niitä käytetään oikein.** Pölynkeräyslaitteen käyttäminen voi vähentää pölyn aiheuttamia vaaroja.
- **Älä anna työkalujen runsaasta käytöstä johtuvan tottuneisuuden aiheuttamaa liikaa itsevarmuutta ja työkalun turvallisuusperiaatteiden laiminlyöntiä.** Huolimaton toiminta voi aiheuttaa vakavia vammoja sekunnin murto-osassa.

## Sähkötyökalun käyttäminen ja hoitaminen

- **Älä ylikuormita sähkötyökalua. Käytä käyttötarkoitukseen soveltuva sähkötyökalua.** Oikea sähkötyökalu suoriutuu tehtävästä paremmin ja turvallisesti.
- **Älä käytä sähkötyökalua, jos sitä ei voida käynnistää ja pysäyttää virtakytkimellä.** Jos sähkötyökalua ei voi hallita kytkimellä, se on vaarallinen ja se on korjattava ennen käyttöä.
- **Irrota pistoke virtalähteestä ja/tai poista akku sähkötyökalusta, ennen kuin suoritat säätöjä, vaihdat lisäosia tai varastoit sähkötyökaluja.** Nämä ennakoivat turvatoimet vähentävät sähkötyökalun tahattoman käynnistymisen riskiä.
- **Säilytä sähkötyökalut poissa lasten ulottuvilta äläkä anna sellaisten henkilöiden käyttää sähkötyökalua, jotka eivät ole perehtyneet työkalun käyttöön ja näihin ohjeisiin.** Sähkötyökalut ovat vaarallisia tottumattomien käyttäjien käsissä.
- **Huolla sähkötyökalut. Tarkista, esiintyykö liikkuvissa osissa kohdistusvirheitä tai takertumista ja onko työkalussa vaurioituneita osia tai muita sähkötyökalun toimintaan vaikuttavia vikoja. Viallinen sähkötyökalu on korjattava ennen käyttöä.** Monet onnettomuudet johtuvat huonosti huolletuista sähkötyökaluista.
- **Pidä leikkaustyökalut terävinä ja puhtaina.** Oikein huolletut ja terävät leikkaustyökalut juuttuvat vähemmän ja ovat helpompia hallita.
- **Käytä sähkötyökalua, lisävarusteita, teriä, jne. näiden ohjeiden mukaisesti ja ota huomioon työolosuhteet ja suoritettava työ.** Sähkötyökalun käyttö muuhun kuin sen alkuperäiseen käyttötarkoitukseen saattaa aiheuttaa vaaratilanteen.
- **Pidä kahvat ja tartuntapinnat kuivina, puhtaina, öljyttöminä ja rasvattomina.** Liukkaat kahvat ja tartuntapinnat estävät työkalun turvallisen käsittelyn ja hallinnan yllättävissä tilanteissa.

## Akkutyökalun käyttäminen ja hoitaminen

- **Lataa akku ainoastaan valmistajan määrittämällä laturilla.** Tietylle akulle sopiva laturityyppi saattaa toisen akun kanssa käytettäessä aiheuttaa tulipalovaaran.
- **Käytä sähkötyökaluissa ainoastaan niille tarkoitettuja akkuja.** Muiden akkujen käyttäminen saattaa aiheuttaa henkilövahinko- tai tulipalovaaran.
- **Kun akku ei ole käytössä, pidä se erossa metalliesineistä, kuten paperiliittimistä, kolikoista, avaimista, nauloista, ruuveista ja muista pienistä metalliesineistä, jotka voivat yhdistää navat toisiinsa.** Akun napojen oikosulkeminen saattaa aiheuttaa palovammoja tai tulipalon.



- **Jos akku vaurioituu, siitä saattaa vuotaa nestettä. Vältä tämän nesteen koskettamista. Jos sitä kosketetaan vahingossa, huuhtelee vedellä. Jos nestettä pääsee silmiin, ota yhteys lääkäriin.** Akkuneste saattaa aiheuttaa ärsytystä tai palovammoja.
- **Älä käytä vaurioitunutta tai muunnettua akkua tai työkalua.** Vaurioituneet tai muunnetut paristot voivat toimia arvaamattomasti, mikä voi johtaa tulipaloon, räjähdykseen tai loukkaantumisvaaraan.
- **Älä altista akkua tai työkalua avotullelle tai liian korkeille lämpötiloille.** Altistuminen avotullelle tai yli 265 °F (130 °C) lämpötiloille voi aiheuttaa räjähdyksen.
- **Noudata kaikkia latausohjeita äläkä lataa tai säilytä akkua tai työkalua ohjeissa ilmoitetun lämpötila-alueen ulkopuolella.** Virheellinen tai määritetyn lämpötila-alueen ulkopuolella suoritettu lataus voi vahingoittaa akkua ja lisätä tulipalon vaaraa.

## Huolto

- **Anna pätevän korjaajan huoltaa sähkötyökalu käyttämällä ainoastaan identtisiä varaosia.** Tämä varmistaa sähkötyökalun turvallisuuden.

## Erityisiä turvallisuustietoja

### ⚠ VAROITUS

**Tämä osio sisältää nimenomaan tähän työkaluun liittyviä tärkeitä turvallisuusohjeita.**

**Lue nämä turvallisuustiedot huolellisesti ennen puristustyökalujen käyttöä, jotta pienennät sähköiskun ja muiden vakavien henkilövahinkojen vaaraa.**

### SÄILYÄ KAIKKI VAROITUKSET JA OHJEET MYÖHEMPÄÄ KÄYTTÖÄ VARTEN!

Työkalun kantokotelossa on lokero, jossa tätä käyttöohjetta voidaan säilyttää työkalun mukana käyttäjän käytettäväksi.

## Puristustyökalun turvallisuus

- **Pidä sormet ja kädet etäällä lisälaitteista puristussyklin aikana.** Sormet ja kädet saattavat murskautua, murtua tai amputoitua, jos ne jäävät lisälaitteen tai näiden komponenttien ja muiden esineiden väliin.
- **Älä koskaan yritä korjata vaurioituneita lisälaitteita (leuat, puristusrenkas, käyttölaite jne.). Hävitä koko vaurioitunut lisälaitte.** Millä tahansa tavalla hitsattu, hiottu, porattu tai muunnettu lisälaitte voi pirstoutua puristuksen aikana ja aiheuttaa vakavan vamman. Jos koko lisälaitetta ei vaihdeta, seurauksena voi olla komponentin

vikaantuminen ja vakava henkilövahinko.

- **Tuotteen käytön aikana muodostuu suuria voimia, jotka voivat murtaa tai singota osia ja aiheuttaa henkilövahinkoja.** Seiso riittävän matkan päässä ja käytä asianmukaisia suojavarusteita silmiensuojaimet mukaan lukien.
- **Käytä RIDGID®-puristustyökaluja ainoastaan asianmukaisilla RIDGID- tai RIDGIDin hyväksymillä lisälaitteilla (leuat, puristusrenkaat, käyttölaitteen jne.).** Puristustyökalujen muu käyttö tai muuttaminen voi vahingoittaa puristustyökalua, lisälaitteita ja/tai aiheuttaa henkilövahingon.
- **Käytä oikeita työkalun, lisälaitteen ja kiinnikkeen yhdistelmiä.** Väärät yhdistelmät voivat aiheuttaa epätodellisen liitoksen, joka lisää vuotojen, laitevaurioiden ja tapaturmien vaaraa.
- **Ennen RIDGID®-puristustyökalun käyttöä lue ja ymmärrä:**
  - Tämä käyttäjän käsikirja
  - Lisälaitteiden ohjeet
  - Akun/latauslaitteen käyttöohje
  - Liitinvalmistajan asennusohjeet
  - Muiden tämän työkalun kanssa käytettävien laitteiden tai materiaalien ohjeet

Jos kaikkia varoituksia ja ohjeita ei noudateta, seurauksena voi olla omaisuusvahinkoja tai vakava henkilövahinko.

## RIDGID®-yhteystiedot

Jos sinulla on kysyttävää tästä RIDGID®-tuotteesta:

- Ota yhteys paikalliseen RIDGID-jälleenmyyjään.
- Lähimmän RIDGID-edustajan löydät osoitteesta RIDGID.com.
- Ridge Toolin tekniseen huolto-osastoon saa yhteyden lähettämällä sähköpostia osoitteeseen [rttechservices@emerson.com](mailto:rttechservices@emerson.com), tai soittamalla Yhdysvalloissa ja Kanadassa numeroon (800) 519-3456.

## Kuvaus

Puristustyökalut RIDGID® RP 350 ja RP 351 on oikeiden lisävarusteiden kanssa käytettyinä tarkoitettu liittimien puristamiseen mekaanisesti putkiin. Tuloksena on vesitiivis ja pysyvä liitos esimerkiksi putki-, lämmitys-, ilmanvaihto- ja kylmälaitekäyttöön. Lisälaitteita on saatavana myös muihin käyttötarkoituksiin.

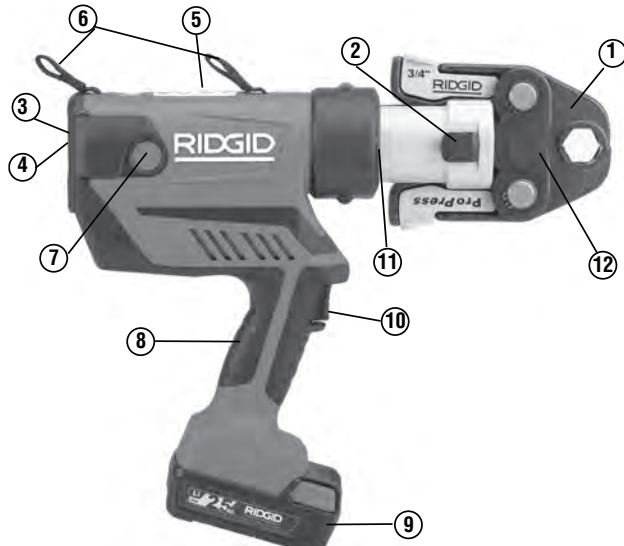
Kun puristustyökalun käyttökytkintä painetaan, sisäinen sähkömoottori käyttää hydraulipumppua, joka lähettää nestettä työkalun sylinteriin liikuttamalla mäntää eteenpäin ja kohdis-

tamalla voimaa lisälaitteeseen puristaen liittimen. Puristussykli kestää noin 4 sekuntia. Kun sykli alkaa muovata liittintä, se jatkuu automaattisesti loppuun asti, vaikka käyttökytkin vapautetaan.

Työkalussa on toinen toimintatila ("Ohjaustila"), joka voidaan kytkeä päälle RIDGID Link -sovelluksella. Ohjaustila mahdollistaa liittimen kytkemisen ennen puristamista, jolloin voidaan varmistaa lisälaitteen, liittimen ja putken oikea kohdistus.

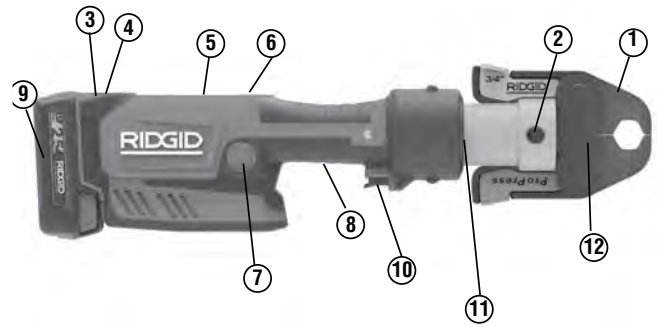
Työkalun tilavalot ilmaisevat esimerkiksi työkalun tilan, akun tilan, huoltotarpeen tai väärän lämpötilan. Työvalo syttyy työalueen valaisemiseksi, kun käyttökytkintä painetaan. Päättä voidaan kääntää 360°, jolloin sillä päästään paremmin ahtaisiin paikkoihin.

Työkalujen mukana toimitetaan kangaslenkit, joita voidaan käyttää sopivien kiinnikkeiden kanssa, esim. olkahihna tai kaulanauha.



Puristustyökalu on varustettu langattomalla Bluetooth®-tekniikalla\*, mikä mahdollistaa yhteyden älypuheliin ja tabletteihin. Katso lisätiedot kohdasta "Bluetooth-toiminnot (langaton tiedonsiirto)".

\* Bluetooth®-sanamerkki ja -logot ovat Bluetooth SIG, Inc:n rekisteröityjä tavaramerkkejä ja Emerson Electric Co. käyttää näitä merkkejä. lisenssillä. Muut tavaramerkit ja tuotenimet ovat omistajiensa omaisuutta.





**Kuva 2 – RIDGID RP 351 Puristustyökalu ja Standard-sarjan leuka**

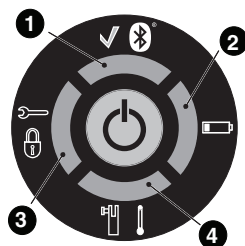
#	Kuvaus	
1	Saksityyppinen leukasarja	7 Paineenvapautuspainike (RP 351 kauempi puoli)
2	Lisälaitteen kiinnitystappi	8 Kahva
3	Työkalun tilavalot	9 Akku
4	ON/OFF-painike	10 Käyttökytkin
5	Varoitustarra (RP 351 alapuoli)	11 LED-työvalo
6	Kangaslenkki	12 Leuan sivulevy







**Kuva 3 – Koneen sarjanumero - Ympyröidyt numerot osoittavat valmistusvuoden ja -kuukauden. (YY = vuosi, MM = kuukausi).**

Säädin	Merkintä	Kuvaus
On/Off-painike		Työkalun päävirtakytkin. (I = PÄÄLLE, O = POIS). ON: Paina painiketta, kunnes valo syttyy. <i>Katso kuva 5 – Työkalun tilavalot.</i> OFF: Paina painiketta, kunnes valo sammuu. Työkalun virta katkeaa automaattisesti, jos se on käyttämättä kymmenen (10) minuuttia.
Käyttökytkin	—	<b>Työvalon sytyttäminen:</b> Paina hieman käyttökytkintä. <b>Normaalitila:</b> Käynnistä puristusyksi painamalla käyttökytkintä, vapauta, kun työkalu lukittuu. Normaalitila on tehdasasetus. <b>Ohjaustila:</b> Kiinnitä lisälaite työkappaleeseen painamalla käyttökytkintä. Tee säädöt tarvittaessa. Käynnistä puristusyksi painamalla käyttökytkintä uudelleen, vapauta, kun työkalu lukittuu. Kytkimen vapauttaminen ei pysäytä työkalua sen jälkeen, kun se on lukittunut. Tämä varmistaa yhtenäiset ja toistuvat puristusliitokset. Tilaa voidaan vaihtaa RIDGID Link -sovelluksella, <i>katso kohta Bluetooth-toiminnot.</i>
Paineenvapautus-painike		Mahdollistaa työkalun vapauttamisen suorittamatta puristusta loppuun. Jos tätä käytetään, puristusliitosta ei tehdä valmiiksi ja se on toistettava.
Lisälaitteen kiinnitystappi	—	Pitää lisälaitteen työkalussa. On työnnettävä täysin paikalleen, jotta työkalu toimisi. <i>Katso kuva 6.</i>



Kuva 4 – Säädinkaavio



Valosegmentin numero (Valo palaa koko ajan)				Kuvaus
1 	2 	3 	4 	
—	—	—	—	Puristustyökalu sammutettu (OFF).
Vihreä	Vihreä	Vihreä	Vihreä	ON-painiketta painettu, syttyy 4 sekunniksi käynnistettäessä, työkalu "Normaalitilassa".
Sininen	Sininen	Sininen	Sininen	ON-painiketta painettu, syttyy 4 sekunniksi käynnistettäessä, työkalu "Ohjaustilassa" - katso tilan vaihtamiseksi kohta <i>Bluetooth-toiminnot.</i>
Vihreä	—	—	—	Puristustyökalu on Normaalitilassa, valmiustila, puristustyökalu käyttövalmis.
Punainen	Keltainen	Keltainen	Keltainen	Työkalussa on toimintahäiriö. Työkalu ei toimi. Poista tai aseta takaisin akku tai verkkolaite. Jos valo palaa edelleen, huollata työkalu.
Punainen	—	—	—	Työkalussa on toimintahäiriö. Työkalu ei toimi. Poista tai aseta takaisin akku tai verkkolaite. Jos punainen valo palaa edelleen, huollata työkalu.
Keltainen	—	Punainen	Punainen	Työkalu ja/tai akku eritellyn lämpötila-alueen ulkopuolella. Työkalu ei toimi. Tuo työkalu ja akku oikeaan käyttölämpötilaan.
Keltainen	—	—	Punainen	Lisälaitteen kiinnitystappi ei ole kunnolla paikallaan. Työkalu ei toimi. Työnnä tappi täysin paikalleen. Jos valot palavat edelleen, huollata työkalu.
Keltainen	Punainen	—	—	Akku lähes tyhjä. Työkalu ei toimi. Lataa akku/aseta täytetään ladattu akku paikalleen.
Vihreä	Sininen	Sininen	Sininen	Bluetooth-yhteys muodostettu, valmiustila, puristustyökalu on käyttövalmis - Lisätietoja on luvussa <i>Bluetooth-toiminnot.</i>
		Violetti		Laiteohjelmistoa päivitetään, työkalua ei voi käyttää päivityksen aikana.

Kuva 5 – Työkalun tilavalot

## Tekniset tiedot

	<b>RP 350 Pistoolipuristustyökalu</b>	<b>RP 351 Inline-puristustyökalu</b>
Lisälaitteet.....	RIDGID Standard -sarja	RIDGID Standard -sarja
Iskunpituus.....	1.57" (40 mm)	1.57" (40 mm)
Moottori		
Jännite .....	18 V DC nimellinen	18 V DC nimellinen
Virta .....	23 A	23 A
Teho .....	480 W	480 W
Puristusvoima.....	7,200 lbs. (32 kN)	7,200 lbs. (32 kN)
Pään kääntö.....	360°	360°
Työsykli .....	3 Puristus  /min	3 Puristus  /min
Virtalähde.....	RIDGID RB-18XX-sarja 18 V litiumionoaaku tai RIDGID RPA 120/220 AC verkkolaite ( <i>Katso Lisävarusteet</i> )	
Bluetooth-kantama.....	33 ft. (10 m)	33 ft. (10 m)
Sallittu kosteus.....	Maks. 80 %	Maks. 80 %
Käyttölämpötila-alue.....	15 °F - 122 °F (-10 °C - 50 °C)	15 °F - 122 °F (-10 °C - 50 °C)
Varastointilämpötila.....	32 °F - 113 °F (0 °C - 45 °C)	32 °F - 113 °F (0 °C - 45 °C)
Paino (ilman akkua/lisälaitetta) .....	7.83 lbs (3,55 kg)	7.83 lbs (3,55 kg)
Mitat.....	11.3" x 11.0" x 3.1" 287 mm x 279 mm x 77 mm	15.7" x 4.65" x 3.1" 398 mm x 118 mm x 77 mm
Äänenpaine (L <sub>PA</sub> )* .....	<74,5 dB(A), K=3 dB(A)	<74,5 dB(A), K=3 dB(A)
Tärinä*.....	<1,13 m/s <sup>2</sup> , K=1,5	<1,13 m/s <sup>2</sup> , K=1,5

\* Ääni- ja tärinämittaukset on tehty standardin EN 62481-1 mukaisen standardoidun testin mukaisesti.

- Tärinätasoja voidaan käyttää vertailuissa muiden työkalujen kanssa altistuksen alustavaan arviointiin.

- Ääni- ja tärinätasot voivat vaihdella paikan ja näiden työkalujen käytön mukaan.

- Äänen ja tärinän päivittäiset altistusarvot on arvioitava tapauskohtaisesti ja tarvittaessa on ryhdyttävä asianmukaisiin turvatoimenpiteisiin. Altistustasojen arvioinnissa on otettava huomioon aika, jonka työkalu on päältäkytkettyä ja pois käytöstä. Tämä voi pienentää koko työskentelyjakson altistusarvoa merkittävästi.

## Vakiovarusteet

Katso RIDGID-luettelo, jossa on annettu lisätietoja kyseisen koneen luettelonumeron mukana toimitetuista lisävarusteista.

**HUOMAA!** RIDGID-puristustyökalujen lisälaitteet on saatavana kahtena sarjana

- Standard-sarja
- Compact-sarja

Nämä lisälaitesarjat eivät ole keskenään vaihdettavissa. Standard-sarjan lisälaitteet toimivat ainoastaan Standard-sarjan työkalujen kanssa (RP 350, RP 351, RP 342-XL, RP 340, RP 330, 320-E, CT-400). Compact-sarjan lisälaitteet toimivat ainoastaan Compact-sarjan työkalujen kanssa (RP 240, RP 241, RP 200, RP 210, 100B).

**HUOMAUTUS** Oikeiden materiaalien ja liittämismenetelmien valinta on järjestelmän suunnittelijan ja/tai asentajan vastuulla. Erityinen huoltoympäristö, mukaan lukien kemiallinen ympäristö ja käyttölämpötila, on arvioitava huolellisesti ennen asennusta. Tarkempia tietoja valinnasta saat puristusliitinjärjestelmän valmistajalta.

## Tarkastus ennen käyttöä

### VAROITUS



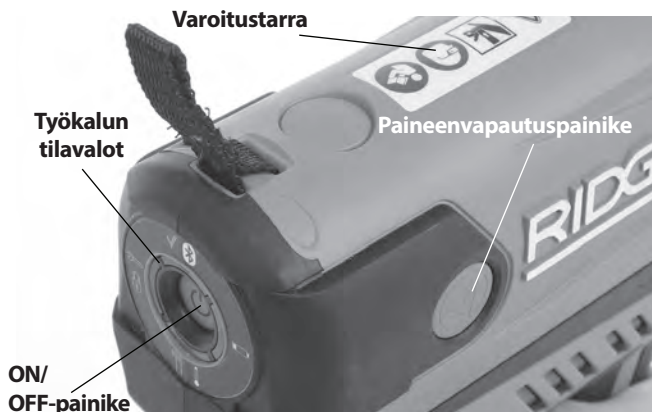
**Tarkasta puristustyökalu päivittäin ennen käyttöä ja korjaa mahdolliset ongelmat pienentääksesi ruhjoutumisesta, sähköiskusta, laiteviasta ja**

**muista syistä johtuvan vakavan henkilövahingon vaurioitumisen.**

1. Sammuta työkalu ja irrota akku/verkkolaite työkalusta.
2. Puhdista laite, ja erityisesti kahvat ja säätimet, öljystä, rasvasta ja liasta. Tämä helpottaa koneen tarkastusta ja estää työkalun tai hallintalaitteiden irtoamisen otteestasi tai sen hallinnan menettämisen.
3. Tarkasta puristustyökalusta seuraavat asiat:
  - Oikea asennus, kunnossapito ja täydellisyys.
  - Katkenneet, kuluneet, puuttuvat, väärin suunnatut tai juuttuvat osat. Tarkista, että kangaslenkit ovat hyvässä kunnossa.

- Lisälaitteen kiinnitystapin tasainen liike auki- ja kiinni-asentojen välillä. Tapin on naksahdettava kuhunkin asentoon. Varmista, että käyttökytkin liikkuu esteettä eikä takertele tai juutu kiinni.
- Laitteen varoitustarra ja sen luettavuus (ks. kuva 6).
- Mahdolliset muut seikat, jotka voivat estää turvallisen ja normaalin käytön.

Älä käytä puristustyökalua, ennen kuin ongelmat on korjattu.



Kuva 6 - Tilavalot/varoitustarra

4. Tarkasta ja huolla työkalun lisälaitteet niiden ohjeiden mukaisesti. Irrota lisälaite työkalusta. Varmista, että lisälaitteet ovat hyvässä kunnossa ja selvästi merkittyjä käytettäviksi.
5. Tarkasta ja huolla kaikki muut käytettävät laitteet niiden ohjeiden mukaan ja varmista, että ne toimivat oikein.

## Valmistelut ja käyttö

### VAROITUS



**Pidä sormet ja kädet etäällä työkalun lisälaitteista puristussyklin aikana.**

**Sormet ja kädet saattavat murskautua, murtua tai amputoitua lisälaitteessa, työkalussa tai työkalun ja lisälaitteen, työkappaleen ja muiden esineiden välissä.**

**Tuotteen käytön aikana muodostuu suuria voimia, jotka voivat murtaa tai singota osia ja aiheuttaa henkilövahinkoja. Seiso riittävän matkan päässä ja käytä asianmukaisia suojavarusteita silmiensuojaimet mukaan lukien.**

**Käytä oikeita työkalujen, lisälaitteiden ja liittimien yhdistelmiä. Virheelliset yhdistelmät voivat tehdä puristusliitoksesta epätäydellisen, mikä lisää vuotojen, laitevaurioiden ja henkilövahinkojen vaaraa.**

**Noudata asennus- ja käyttöohjeita pienentääksesi ruhjoutumisen ja muiden syiden aiheuttamaa vaaraa ja estääksesi työkalun vaurioitumisen.**

1. Varmista, että työalue on asianmukainen (*Katso Sähkötyökalujen yleiset turvallisuusvaroitukset*). Työskentele esteettömässä, tasaisessa, tukevassa ja kuivassa paikassa. Älä käytä työkalua seistessäsi vedessä.
2. Tarkista tehtävä työ ja varmista, että käytössä on tarkoitukseen sopiva RIDGID-työkalu ja RIDGID-lisälaite. Työtehtävän kannalta väärän laitteen käyttö voi aiheuttaa henkilövahingon, vaurioittaa työkaluja ja aiheuttaa epätäydellisiä liitoksia.
3. Varmista, että kaikki laitteet on tarkastettu ja laitettu kuntoon ohjeidensa mukaan.

## Lisälaitteen irrotus/asennus

1. Sammuta työkalu ja irrota akku/verkkolaite työkalusta.
2. Avaa lisälaitteen kiinnitystappi täysin auki. Irrota/aseta sopiva lisälaite (kuva 7).
3. Sulje lisälaitteen kiinnitystappi niin, että se lukittuu kiinni-asentoon. Lisälaitteen kiinnitystapin on oltava täysin kiinni työkalun vaurioitumisen estämiseksi käytön aikana. Työkalun valot syttyvät ilmaisemaan tilaa, ks. kuva 5 Työkalun tilavalot.

**HUOMAA!** Älä käytä työkalua ilman, että lisälaite on paikallaan. Muussa tapauksessa työkalu voi vahingoittua.



Kuva 7 - Lisälaitteen kiinnitystappi

## Liitännän valmistelu

**HUOMAUTUS** Nämä ohjeet ovat yleisiä menettelyjä erityyppisille puristustyökalujen lisälaitteille. Noudata aina käytetyn puristustyökalun kanssa käytettävän lisälaitteen ja liittinvalmistajan erityisiä asennusohjeita, jotta vältät virheelliset puristusliitokset ja mittavien omaisuusvahinkojen riskin.

1. Valmistele puristusliitos liittinvalmistajan ohjeiden mukaisesti.
2. Aseta kuivin käsin täyteen ladattu akku tai verkkolaite työkaluun. Jos käytetään vikavirtasuojakytkimellä varustettua johdollista verkkolaitetta, vikavirtasuojan on oltava mitoitettu enintään 30 mA:n jäännösvirrälle. Käynnistä työkalu painamalla ON/OFF-painiketta. Kaikki ledit syttyvät sen merkiksi, että työkalu on käyttövalmis. *Katso kuva 5 - Työkalun tilavalot* kaikista muista valoista.



## Liittimen puristaminen tyypillisillä saksileuoilla

1. Pidä työkalusta kunnolla kiinni molemmilla käsillä.

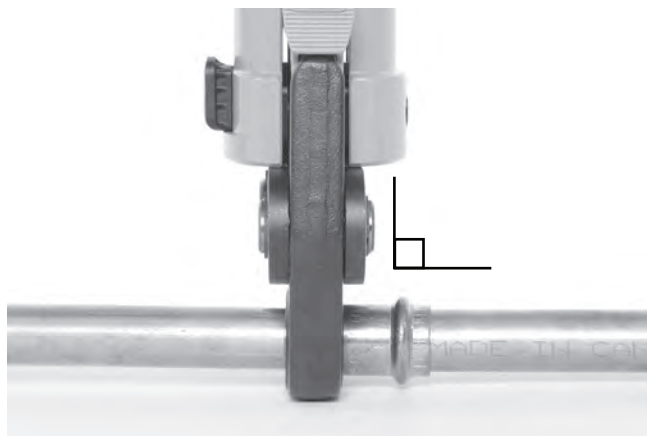


**Kuva 8 - Työkalun pitäminen**

2. Avaa leuat puristamalla leuan varsia.
3. Aseta avoimet leuat liittimen ympärille (kuva 9). Kohdista leuan puristusprofiili oikein liittimen muodon kanssa liitinvalmistajan asennusohjeissa kuvatulla tavalla. Sulje leuat liittimen ympärille vapauttamalla leukojen varret. Älä ripusta leukasarjaa liittimestä. Työkalu saattaa pudota odottamatta ja aiheuttaa vakavan henkilövahingon tai kuoleman.



**Kuva 9 – Saksityyppisten leukojen asettaminen liittimen ympärille**



**Kuva 10 – Leuat kohtisuorassa liittimeen**

4. Tarkista, että leuka on sijoitettu oikein ja kohtisuorassa liittimeen nähden. (kuva 10). Pidä sormet ja kädet etäällä leuoista välttääksesi puristumisvammat leuoissa tai leukojen ja ympäristön välillä.

**Normaalitila:** Paina käyttökytkintä (kuvat 1 & 2). Kun työkalun toimintasykli alkaa ja rullat koskettavat leuan varsiiin, työkalu lukittuu automaattisesti ja suorittaa syklin automaattisesti loppuun. Kytkimen vapauttaminen ei pysäytä työkalua sen jälkeen, kun se on lukittunut. Tämä varmistaa yhtenäiset ja toistuvat puristusliitokset.

**Ohjaustila:** Paina käyttökytkintä (kuvat 1 & 2). Leuat kytkevät liittimen, mutta puristusliitosta ei tehdä. Tee säädöt tarvittaessa. Paina käyttökytkintä uudelleen, jolloin työkalu lukittuu ja suorittaa syklin loppuun automaattisesti. Kytkimen vapauttaminen ei pysäytä työkalua sen jälkeen, kun se on lukittunut. Tämä varmistaa yhtenäiset ja toistuvat puristusliitokset.

Jos työkalu on irrotettava, ennen kuin puristusliitos on valmis, paina paineenvapautuspainiketta (kuva 1 & 2).

**HUOMAUTUS** Aina, kun vapautuspainiketta painetaan, puristusliitos EI ole valmis ja liitin on puristettava uudelleen sen täydellisyuden varmistamiseksi. Jos työkaluun tulee toimintahäiriö käytön aikana, käytä tätä menetelmää.

5. Vapauta käyttökytkin.
6. Avaa leuat puristamalla leuan varsia.
7. Irrota leuka liittimestä. Varo teräviä reunoja, joita liittimeen voi muodostua puristuksen aikana.
8. Kun työ on suoritettu, sammuta työkalu painamalla kerran ON/OFF-painiketta. Poista akku tai verkkolaite työkalusta.



## Liittimen puristaminen tyypillisellä käyttölaiteella ja puristusrenassarjalla

1. Avaa rengas ja aseta se liittimen ympärille. Kohdista renkaan puristusprofiili oikein liittimen muodon kanssa liittinvalmistajan asennusohjeissa kuvatulla tavalla. Vapauta rengas sen sulkemiseksi liittimen ympärille (kuva 11).
2. Tarkista, että asianmukainen käyttölaite on asennettu oikein työkaluun. Purista toimilaitteen varsia sen kärkien avaamiseksi. Kohdista toimilaitteen kärjet rengastaskujen kanssa. Vapauta toimilaitteen varret ja kiinnitä käyttölaitteen kärjet täysin rengastaskuihin (kuva 12). Jos toimilaitteen kärki ei ole rengastaskun kohdalla, rengas ja toimilaite saattavat vahingoittua puristamisen aikana. Älä anna työkalun ja toimilaitteen riippua puristusrenkaasta. Työkalu saattaa pudota odottamatta ja aiheuttaa vakavan henkilövahingon tai kuoleman.



Kuva 11 – Puristusrenkaan asentaminen liittimeen



Kuva 12 – Käyttölaitteen kiinnittäminen puristusrenkaaseen

3. Tarkista, että rengas on sijoitettu oikein ja kohtisuorassa liittimeen nähden. Pidä sormet ja kädet etäällä toimilaitteesta ja renkaasta välttääksesi puristumisvammat lisälaitteessa tai lisälaitteen ja ympäristön välillä.

**Normaalitila:** Paina käyttökytkintä (kuvat 1 & 2). Kun työkalun toimintasykli alkaa ja rullat koskettavat leuan varsiin, työkalu lukittuu automaattisesti ja suorittaa syklin automaattisesti loppuun. Kytkimen vapauttaminen ei pysäytä työkalua sen jälkeen, kun se on lukittunut. Tämä varmistaa yhtenäiset ja toistuvat puristusliitokset.

**Ohjaustila:** Paina käyttökytkintä (kuvat 1 & 2). Leuat kytkevät liittimen, mutta puristusliitosta ei tehdä. Tee säädöt tarvittaessa. Paina käyttökytkintä uudelleen, jolloin työkalu lukittuu ja suorittaa syklin loppuun automaattisesti. Kytkimen vapauttaminen ei pysäytä työkalua sen jälkeen, kun se on lukittunut. Tämä varmistaa yhtenäiset ja toistuvat puristusliitokset.

4. Jos työkalu on irrotettava, ennen kuin puristusliitos on valmis, paina paineenvapautuspainiketta (kuva 1 & 2).

**HUOMAUTUS** Aina, kun vapautuspainiketta painetaan, puristus EI ole valmis ja puristusliitos on puristettava uudelleen sen täydellisyysvarmistamiseksi. Jos työkaluun tulee toimintahäiriö käytön aikana, käytä tätä menetelmää.

5. Vapauta käyttökytkin.
6. Purista toimilaitteen varsia toimilaitteen avaamiseksi. Irrota toimilaite liittimestä.
7. Irrota rengas liittimestä. Varo teräviä reunoja, joita liittimeen voi muodostua puristuksen aikana.
8. Kun työ on suoritettu, sammuta työkalu painamalla kerran ON/OFF-painiketta. Poista akku tai verkkolaite työkalusta.

## Puristetun liitännän tarkastus

1. Tarkasta puristettu liitin:
  - Putki on kokonaan liittimessä.
  - Putkien liiallinen kohdistusvirhe. Pieni kohdistusvirhe puristusliitoksessa katsotaan normaaliksi.
  - Lisälaitteen virheellinen kohdistus liittimen äärilinjojen mukaan. Vääntynyt liitin.
  - Mahdolliset muut ongelmat liitinvalmistajan mukaisesti. Tähän voi sisältyä säätörenkaan tai tarran poistaminen (käytetään osoittamaan, että liitosta ei ole vielä puristettu). Jos havaitaan ongelmia, irrota liitin ja asenna uusi puristusliitos.
2. Testaa puristusliitos liitinvalmistajan ohjeiden, normaalin käytännön ja soveltuvien sääntöjen mukaan.

## Bluetooth-toiminnot (langaton tiedonsiirto)

Puristustyökalut RIDGID® RP 350 ja RP 351 on varustettu langattomalla Bluetooth®-tekniikalla, joka mahdollistaa langattoman tiedonsiirron vastaavalla tekniikalla varustettujen älypuhelimien ja tablettien ("laitteet") kanssa, joissa on iOS- tai Android-käyttöjärjestelmä.

1. Lataa RIDGID® Link -sovellus laitteeseesi osoitteesta RIDGID.com/apps, Google Play Kaupasta tai Apple App Storesta.
2. Kun työkalu on päällä, langattomalla Bluetooth-tekniikalla varustettu laite pystyy löytämään ja muodostamaan laiteparin puristustyökalun kanssa. Valitse haluttu RIDGID-työkalu laitteesi Bluetooth-asetuksista. Katso laitteesi ohjeista tarkemmat tiedot yhteyden muodostamisesta langattomalla Bluetooth-tekniikalla. Kun yhteys on muodostettu, työkalun vihreä-sininen-sininen-sininen-tilavalvo syttyy.

Ensimmäisen pariliitoksen muodostamisen jälkeen useimmat laitteet muodostavat automaattisesti yhteyden työkaluihin, kun langaton Bluetooth-tekniikka on käytössä ja kantama-alueella ja jos laitteen asetukset on määritetty tekemään niin. Puristustyökalujen on oltava alle 33 ft. (10 m) päässä tunnistettavasta laitteesta. Työkalun ja laitteen välinen este voi lyhentää kantamaa.

3. Noudata sovelluksen ohjeita oikeaa käyttöä varten. Toimintatila voidaan vaihtaa sovelluksen kautta. Sovellus mahdollistaa myös työkalun työsykliä valvonnan.
4. Langaton tiedonsiirto lakkaa, kun puristustyökalu sammutetaan. Sammuta langaton Bluetooth-laite akun säästämiseksi.

## Käyttö kylmällä säällä

Lämpötilan laskiessa hydraulineeste sakeutuu ja akun suorituskyky heikkenee. Virheellisen toiminnan vaaran vähentämiseksi RP 350 ja RP 351 eivät toimi ilmoitetun lämpötila-alueen ulkopuolella, mikä ilmaistaan työkalun tilavalvoilla (*kuva 5*).

Kun ulko-olosuhteet ovat määritetyn lämpötila-alueen ulkopuolella, pidä työkalu ja akut ilmastoidussa tilassa, kunnes niitä voidaan jälleen käyttää.

## Säilytys

Poista akku tai verkkolaite puristustyökalusta. Säilytä puristustyökalua ja akkua kotelossa. Vältä säilytystä erittäin kuumassa tai kylmässä paikassa. Työkalu ei kytkeydy päälle, jos työkalu on määritetyn alueen ulkopuolella. Tämä ilmaistaan työkalun tilavalvoilla. (*Katso kuva 5*)

**VAROITUS** Säilytä työkalu kuivassa, suojatussa ja lukitussa paikassa lasten ja puristustyökalujen käyttöön tottumattomien henkilöiden ulottumattomissa. Työkalu on vaarallinen tottumattomien käyttäjien käsissä.

## Huolto-ohjeet

### VAROITUS

**Varmista ennen huoltotöiden tai minkäänlaisten säätöjen tekemistä, että työkalu on sammutettu ja akku tai verkkolaite on irrotettu työkalusta.**

### Puhdistus ja voitelu

1. Pyyhi työkalu päivittäin puhtaaksi puhtaalla kuivalla liinalla.
2. Tarkista lisälaitteen kiinnitystappi ja voitele se tarvittaessa silikonirasvalla.
3. Tarkista lisälaitteiden palautusjouset jokaisen käyttökerran jälkeen. Lisälaitteiden tulee avautua ja sulkeutua esteettä pelkästään kohtuullisella sormivoimalla.

## Huolto ja korjaus

### VAROITUS

**Epätäydellisen huollon tai korjauksen jälkeen työkalun käyttö ei välttämättä ole enää turvallista.**

Puristustyökalujen RP 350 ja RP 351 huolto ja korjaus on annettava valtuutetun RIDGID-puristustyökaluhuollon tehtäväksi.

Lisätietoja lähimmästä valtuutetusta RIDGID-huollosta ja mahdollisista huoltoon ja korjauksiin liittyvissä kysymyksissä on annettu tämän ohjekirjan kohdassa *Yhteystiedot*.

## Vianmääritys

OIRE	MAHDOLLISIA SYITÄ	RATKAISU
<b>Työkalu ei kytkeydy päälle kun ON/OFF-painiketta painetaan.</b>	<p>Akku on täysin tyhjä tai vikaantunut.</p> <p>Akku ei ole kunnolla paikallaan työkalun kädensijassa</p> <p>Verkkolaitetta ei ole asetettu oikein työkaluun.</p>	<p>Aseta täyteen ladattu akku/lataa akku.</p> <p>Tarkista, että akku on kunnolla paikallaan.</p> <p>Aseta verkkolaite oikein työkaluun.</p>
<b>Lisävaruste on lukkiutunut liittimeen.</b>	<p>Puristusliitos ei suoritettu loppuun onnistuneesti.</p>	<p>Irrota leuat liittimestä painamalla paineenvapautuspainiketta. Tarkista ja purista liitin uudelleen.</p>
<b>Puristetut liittännät eivät ole täydellisiä.</b>	<p>Käytetty putkikoolle tai -materiaalille väärää leukaa.</p> <p>Työkalu ei ollut kohtisuorassa putkeen.</p> <p>Lisävarusteen puristusmuoto ei ollut liittimen muodon kohdalla.</p> <p>Työkalu on korjauksen tarpeessa.</p>	<p>Asenna oikea lisävaruste.</p> <p>Tee puristusliitos uudelleen uudella liittimellä ja uudella putkella. Varmista, että työkalu on kohtisuorassa putkeen nähden.</p> <p>Tee liitos uudelleen uudella liittimellä ja uudella putkella. Varmista, että lisälaitteen puristusmuoto on liittimen puristusmuodon kohdalla.</p> <p>Toimita huoltoon.</p>
<b>Työkalusta vuotaa öljyä.</b>	<p>Tiiviste tai mekaaninen ongelma.</p>	
<b>Moottori käy, mutta työkalu ei suorita työjaksoa loppuun.</b>	<p>Öljytaso alhaalla.</p>	<p>Toimita huoltoon.</p>
<b>Työkalu pysähtyy käytön aikana.</b>	<p>Öljytaso alhaalla.</p>	

**Katso kuva 5 – Työkalun tilavalot**

## Lisävarusteet

### ⚠ VAROITUS

**Pienennä vakavan loukkaantumisen vaaraa käyttämällä ainoastaan laitteita, jotka on suunniteltu RP 350- ja RP 351 -puristustyökaluille. Näitä ovat esimerkiksi alla luetellut varusteet.**

### Akku- ja verkkolaitepaketit

Luettelo nro	Kuvaus
56513	RB-1825 18V 2,5 Ah:n litiumioniakku
56518	RB-1850 18V 5,0 Ah:n litiumioniakku
44468	120 AC verkkolaite – Pohjois-Amerikka
43338	220 AC verkkolaite– Eurooppa
44823	120 AC verkkolaite– Kiina

### Laturit ja johdot

Luettelo nro		Alue	Pistoketyyppi
64383	RBC-30 Laturi	Pohjois-Amerikka	A
56523	RBC-30 Laturi	Eurooppa	C
64388	RBC-30 Laturi	Kiina	A
64393	RBC-30 Laturi	Australia	I
64378	RBC-30 Laturi	Japani	A
64398	RBC-30 Laturi	Yhdistyneet Kuningaskunnat	G
64173	RBC-30-laturin johto	Pohjois-Amerikka	A
64183	RBC-30-laturin johto	Eurooppa	C

Täydellinen luettelo näille työkaluille saatavista RIDGID-varusteista, katso Ridge-työkaluluettelo osoitteessa RIDGID.com tai katso kohta *Yhteystiedot*.

## Hävittäminen

Näiden työkalujen osat sisältävät arvokkaita materiaaleja, jotka voidaan kierrättää. Tällaisesta kierrätyksestä huolehtivat paikalliset erikoisyrietykset. Komponentit on hävitettävä kaikkien soveltuvien säännösten mukaan. Pyydä lisätietoja paikallisilta jätehuoltoviranomaisilta.



**EU-maat:** Älä hävitä sähkölaitteita kotitalousjätteen mukana!

EU:n sähkö- ja elektroniikkalaiteromudirektiivin 2012/19/EU ja sen kansallisen lainsäädännön täytäntöönpanon mukaan käytöstä poistetut sähkölaitteet on kerättävä erikseen ja hävitettävä tavalla, joka ei vahingoita ympäristöä.

## Sähkömagneettinen yhteensopivuus (EMC)

Sähkömagneettinen yhteensopivuus tarkoittaa tuotteen kykyä toimia tasaisesti ympäristössä, jossa esiintyy sähkömagneettista säteilyä ja sähköstaattisia purkauksia, sekä kykyä olla aiheuttamatta sähkömagneettista häiriötä muille laitteille.

**HUOMAUTUS** Nämä työkalut ovat kaikkien sovellettavien EMC-standardien mukaisia. Niiden muille laitteille aiheuttaman häiriön mahdollisuutta ei kuitenkaan voida sulkea pois. Kaikki testatut EMC-standardit on ilmoitettu työkalun teknisessä asiakirjassa.

## FCC/ICES-lausunto

Tämä laite on FCC-säädösten osan 15 mukainen. Käyttöä koskevat seuraavat kaksi ehtoa:

1. Tämä laite ei saa aiheuttaa haitallisia häiriöitä.
2. Tämän laitteen on kestettävä mahdollisesti muualta tulevat häiriöt, mukaan lukien mahdollisesti ei-toivottua toimintaa aiheuttavat häiriöt.

Muutokset, joita yritys ei ole nimenomaisesti hyväksynyt, voivat mitätöidä käyttäjän oikeuden käyttää laitetta.

Tämä laite on testattu ja todettu A-luokan digitaalisille laitteille asetettujen rajoitusten mukaiseksi FCC-säädösten osan 15 vaatimusten mukaisesti. Nämä rajoitukset on suunniteltu tarjoamaan kohtuullinen suoja haitallisia häiriöitä vastaan, kun laitetta käytetään kaupallisessa ympäristössä. Tämä laite tuottaa, käyttää ja voi säteillä radiotaajuista energiaa, ja jos sitä ei asenneta ja käytetä ohjeiden mukaisesti, se voi aiheuttaa haitallisia häiriöitä radioviestinnälle. Tämän laitteen käyttö asuinalueella aiheuttaa todennäköisesti haitallisia häiriöitä, jolloin käyttäjän on korjattava häiriöt omalla kustannuksellaan.

Tämä tuote on kanadalaisten ICES-003 Class A -erittelyjen mukainen. *Katso työkalun Ilmoitustarra.*

# RP 350/RP 351

## Zaciskarki



### **⚠ OSTRZEŻENIE!**

Przed przystąpieniem do użytkowania narzędzia prosimy dokładnie przeczytać tę instrukcję obsługi. Niedopełnienie obowiązku przyswojenia i stosowania się do zaleceń zawartych w niniejszym podręczniku obsługi może spowodować porażenie prądem, pożar i/lub poważne obrażenia.

#### **Zaciskarki RP 350/RP 351**

Zapisz poniżej i zachowaj numer seryjny i numer seryjny produktu umieszczony na tabliczce znamionowej.

Nr seryjny.

--



## Spis treści

<b>Zapisywanie numeru seryjnego maszyny</b> .....	175
<b>Symbole bezpieczeństwa/symbole</b> .....	177
<b>Informacje ogólne dotyczące bezpieczeństwa narzędzi elektrycznych</b> .....	177
Bezpieczeństwo w miejscu pracy .....	177
Bezpieczeństwo związane z elektrycznością.....	177
Bezpieczeństwo osobiste .....	178
Użytkowanie i konserwacja narzędzia elektrycznego .....	178
Użytkowanie i konserwacja narzędzia akumulatorowego .....	179
Serwis.....	179
<b>Informacje dotyczące bezpieczeństwa</b> .....	179
Bezpieczeństwo użytkowania zagniatarki.....	179
<b>Informacje kontaktowe RIDGID®</b> .....	180
<b>Opis</b> .....	180
<b>Dane techniczne</b> .....	183
Wyposażenie standardowe .....	183
<b>Przegląd przed rozpoczęciem pracy</b> .....	183
<b>Ustawienia i obsługa</b> .....	184
Wymontowywanie/zakładanie osprzętu .....	184
Przygotowywanie połączenia .....	185
Zaciskanie okucia typowymi szczękami nożycowymi.....	185
Zaciskanie okucia z typowym siłownikiem i zestawem pierścieni zaciskowych .....	186
Sprawdzanie zgniecionego połączenia.....	187
Funkcje Bluetooth (Bezprzewodowe przesyłanie danych) .....	187
Praca przy niskich temperaturach otoczenia .....	187
<b>Przechowywanie</b> .....	187
<b>Instrukcje konserwacji</b> .....	187
Czyszczenie i smarowanie .....	187
<b>Serwis i naprawa</b> .....	188
<b>Rozwiązywanie problemów</b> .....	188
<b>Wyposażenie opcjonalne</b> .....	189
<b>Utylizacja</b> .....	189
<b>Zgodność elektromagnetyczna (EMC)</b> .....	190
<b>Instrukcje FCC/ICES</b> .....	190
<b>Deklaracja zgodności</b> .....	Wewnętrzna tylna okładka
<b>Dożywotnia gwarancja</b> .....	Tylna okładka

\*Tłumaczenie instrukcji oryginalnej

## Symbole bezpieczeństwa/symbole

W tej instrukcji obsługi oraz na produkcie użyto znaków i słów ostrzegawczych, które służą do podkreślania ważnych informacji dotyczących bezpieczeństwa. W tym rozdziale objaśniono znaczenie słów i znaków ostrzegawczych.



To jest symbol alerty bezpieczeństwa. Ostrzega przed potencjalnym ryzykiem odniesienia obrażeń ciała. Przestrzeganie wszystkich zasad bezpieczeństwa, które występują po tym symbolu, pozwoli uniknąć obrażeń lub śmierci.



**NIEBEZPIECZEŃSTWO** NIEBEZPIECZEŃSTWO oznacza ryzyko wystąpienia sytuacji, która grozi śmiercią lub poważnymi obrażeniami, jeśli jej się nie zapobiegnie.



**OSTRZEŻENIE** OSTRZEŻENIE oznacza ryzyko wystąpienia sytuacji, która może spowodować śmierć lub poważne obrażenia, jeśli jej się nie zapobiegnie.



**UWAGA** UWAGA oznacza ryzyko wystąpienia sytuacji, która może spowodować małe lub średnie obrażenia, jeśli jej się nie zapobiegnie.



**NOTATKA** NOTATKA oznacza informację dotyczącą ochrony mienia.



Ten symbol oznacza, że należy dokładnie przeczytać instrukcję obsługi, zanim zaczniesz się korzystać z urządzenia. Instrukcja obsługi zawiera ważne informacje dotyczące bezpieczeństwa i prawidłowej obsługi sprzętu.



Ten symbol oznacza, że należy założyć okulary ochronne z bocznymi osłonami lub gogle podczas obsługi tego urządzenia, aby zmniejszyć ryzyko obrażeń oczu.



Ten symbol wskazuje na ryzyko zmiążdżenia dłoni, palców lub innych części ciała.



Ten symbol oznacza ryzyko porażenia prądem.



Symbol wskazujący, że produkt służy wyłącznie do użytkowania w pomieszczeniach.



Symbol wskazujący, że produkt jest urządzeniem Klasy II.



Ten symbol oznacza, że dane urządzenie elektryczne nie może być utylizowane razem z odpadami pochodzącymi z gospodarstw domowych. *Zob. rozdział „Utylizacja”.*



Ten symbol oznacza, że urządzenie elektryczne spełnia wymagania odpowiednich dyrektyw WE.



Ten symbol określa rok produkcji produktu.

## Informacje ogólne dotyczące bezpieczeństwa narzędzi elektrycznych\*

### OSTRZEŻENIE

**Należy zapoznać się ze wszystkimi ostrzeżeniami, instrukcjami, ilustracjami i parametrami dotyczącymi bezpieczeństwa, dostarczonymi z tym narzędziem elektrycznym. Niestosowanie się do wszystkich poniższych instrukcji może spowodować porażenie prądem elektrycznym, pożar i/lub poważne obrażenia ciała.**

### ZACHOWAĆ WSZYSTKIE OSTRZEŻENIA I INSTRUKCJE NA PRZYSZŁOŚĆ!

Termin "narzędzie elektryczne" występujący w ostrzeżeniach, odnosi się do urządzeń elektrycznych zasilanych z sieci (przewodowych) lub zasilanych z baterii (bezwodnych).

## Bezpieczeństwo w miejscu pracy

- **Należy utrzymywać miejsce pracy w czystości i dobrze oświetlone.** Nieuporządkowane lub ciemne miejsce pracy zwiększa ryzyko wypadku.
- **Nie używać narzędzi elektrycznych w atmosferze wybuchowej, takiej jak przy występowaniu łatwopalnych cieczy, gazów lub pyłów.** Narzędzia elektryczne generują iskry, które mogą spowodować zapłon pyłu lub oparów.
- **Trzymać dzieci i inne osoby postronne z dala podczas obsługi narzędzia elektrycznego.** Odwrócenie uwagi może doprowadzić do utraty kontroli.

## Bezpieczeństwo związane z elektrycznością

- **Wtyczka narzędzia elektrycznego musi pasować do gniazdka zasilania. Nie modyfikować w żaden sposób wtyczki. Nie stosować żadnych adapterów przy podłączaniu do gniazdka uziemionych narzędzi elektrycznych.** Niemodyfikowane wtyczki i pasujące gniazda zmniejszają ryzyko porażenia prądem elektrycznym.

\* Tekst w rozdziale Informacje ogólne dotyczące bezpieczeństwa narzędzi elektrycznych niniejszego podręcznika jest zgodny z zapisem dosłownym stosowanej normy UL/CSA 62841-1. Ten rozdział zawiera ogólne praktyki bezpieczeństwa dotyczące wielu różnych typów narzędzi elektrycznych. Nie wszystkie ostrzeżenia mają zastosowanie do każdego narzędzia, a niektóre nie mają zastosowania do tego narzędzia.

- **Unikać kontaktu ciała z powierzchniami uziemionymi lub połączonymi z masą, takimi jak rury, grzejniki, piekarniki i lodówki.** Ryzyko porażenia prądem wzrasta, gdy ciało ma styczność z uziemieniem lub masą.
- **Nie narażać narzędzi elektrycznych na działanie deszczu lub wilgoci.** Woda przedostająca się do wnętrza narzędzia elektrycznego zwiększa ryzyko porażenia prądem elektrycznym.
- **Nie wolno nadwyręzać przewodu. Nigdy nie używać przewodu do przenoszenia, ciągnięcia lub wyjmowania z gniazdka wtyczki narzędzia elektrycznego. Chronić przewód przed gorącym, ostrymi krawędziami lub poruszającymi się częściami.** Uszkodzone lub splątane przewody elektryczne zwiększają ryzyko porażenia prądem.
- **Podczas pracy narzędziem elektrycznym na zewnątrz należy stosować przedłużacz odpowiedni do użytku na wolnym powietrzu.** Stosowanie przedłużacza odpowiedniego do użytku na otwartym powietrzu zmniejsza ryzyko porażenia prądem.
- **Jeżeli nie można uniknąć pracy w wilgotnym środowisku, należy zastosować zasilanie z wyłącznikiem różnicowo-prądowym (GFCI).** Stosowanie wyłącznika GFCI zmniejsza ryzyko porażenia prądem elektrycznym.

## Bezpieczeństwo osobiste

- **Podczas pracy z narzędziem elektrycznym należy zachować czujność, ostrożność i kierować się zdrowym rozsądkiem. Nie należy używać elektronarzędzi w stanie zmęczenia lub będąc pod wpływem narkotyków, alkoholu lub leków.** Chwila nieuwagi podczas pracy narzędziem elektrycznym może doprowadzić do poważnych obrażeń ciała.
- **Należy stosować środki ochrony osobistej. Zawsze należy stosować ochronę oczu.** Odpowiednie środki ochrony osobistej, takie jak maska przeciwpyłowa, nieślizgające się obuwie ochronne, kask lub ochrona słuchu stosowane w odpowiednich okolicznościach, zmniejszają ryzyko obrażeń.
- **Zapobiegać przypadkowemu uruchomieniu. Upewnić się, że przed podłączeniem urządzenia do prądu i/lub pakietu akumulatorów, podnoszeniem i przenoszeniem urządzenia, przełącznik znajduje się w położeniu OFF.** Przenoszenie narzędzi elektrycznych z palcem umieszczonym na przełączniku lub podłączanie narzędzi elektrycznych, które mają przełącznik przestawiony w położenie ON, stwarza ryzyko wypadku.
- **Przed włączeniem narzędzia elektrycznego należy zdjąć z niego wszystkie klucze lub narzędzia służące do jego regulowania.** Urządzenie regulacyjne lub klucz założone na obracającej się części elektronarzędzia może spowodować obrażenia.
- **Nie sięgać za daleko. Przez cały czas utrzymywać odpowiednie oparcie dla stóp i równowagę.** Zapewni to lepszą kontrolę narzędzia elektrycznego w niespodziewanych sytuacjach.
- **Nosić odpowiednią odzież. Nie nosić luźnej odzieży ani biżuterii. Włosy, ubrania i rękawice trzymać z dala od elementów ruchomych.** Luźna odzież, biżuteria lub długie włosy mogą zostać pochwycone przez części ruchome.
- **Jeżeli urządzenie jest wyposażone w przyłącznie odciągu pyłu i elementy zbierające, upewnić się, że są właściwie podłączone i działają prawidłowo.** Zbieranie pyłu może zmniejszyć ryzyko związane z zapyleniem.
- **Nie wolno dopuścić, aby rutyna płynąca z częstego używania doprowadziła do bezmyślnej obsługi i lekceważenia zasad bezpieczeństwa.** W ułamku sekundy bez troski może doprowadzić do poważnych obrażeń.

## Użytkowanie i konserwacja narzędzia elektrycznego

- **Nie przeciążać narzędzia elektrycznego. Używać narzędzia elektrycznego odpowiedniego do danego zastosowania.** Właściwe narzędzie elektryczne zostało zaprojektowane tak, by wykonać pracę lepiej i bezpieczniej.
- **Nie używać narzędzia elektrycznego, jeśli wyłącznik nie działa prawidłowo.** Każde narzędzie elektryczne, nie dające się kontrolować za pomocą wyłącznika jest niebezpieczne i musi zostać naprawione.
- **Przed dokonaniem jakichkolwiek regulacji, wymianą wyposażenia dodatkowego lub przechowywaniem narzędzia elektrycznego należy odłączyć je od źródła zasilania i/lub wyjąć akumulator.** Takie środki ostrożności zapobiegają przypadkowemu uruchomieniu narzędzia elektrycznego.
- **Przechowywać bezczynne narzędzia elektryczne z dala od dzieci i nie pozwalać osobom nieprzeszkolonym do pracy z urządzeniami elektrycznymi na używanie tych narzędzi.** Narzędzia elektryczne w rękach niewyszkolonych użytkowników stają się niebezpieczne.
- **Odpowiednio konserwować narzędzia elektryczne. Sprawdzić części ruchome pod kątem niewłaściwej regulacji lub ocierania, pęknięcia części i wszystkich innych warunków mających wpływ na pracę narzędzia elektrycznego. W razie wykrycia uszkodzenia narzędzia elektrycznego należy je naprawić przed użyciem.** Wiele wypadków spowodowanych jest przez niewłaściwie serwisowane narzędzia elektryczne.
- **Narzędzia do cięcia powinny być przez cały czas ostre i czyste.** Właściwie konserwowane narzędzia do cięcia z ostrymi krawędziami tnącymi są łatwiejsze do kontrolowania i nie blokują się tak często.

- **Używać narzędzia elektrycznego, wyposażenia dodatkowego i końcówek narzędziowych itp. zgodnie z tymi instrukcjami, uwzględniając warunki robocze i pracę do wykonania.** Używanie narzędzi elektrycznych w czynnościach innych niż te, do których są przeznaczone, może doprowadzić do sytuacji niebezpiecznej.
- **Uchwyty i powierzchnie chwytu utrzymywać w stanie suchym, czystym i wolne od oleju oraz smarów.** Śliskie uchwyty i powierzchnie chwytu uniemożliwiają bezpieczną obsługę i kontrolę narzędzia w niespodziewanych sytuacjach.

## Użytkowanie i konserwacja narzędzia akumulatorowego

- **Ładować tylko przy użyciu ładowarki określonej przez producenta.** Ładowarka przeznaczona do jednego typu akumulatorów może po podłączeniu jej do innego typu akumulatora spowodować zagrożenie pożarowe.
- **Do narzędzi elektrycznych stosować tylko zespoły akumulatorów specjalnie do nich przeznaczone.** Zastosowanie innych akumulatorów może doprowadzić do wystąpienia ryzyka obrażeń ciała lub pożaru.
- **Gdy akumulator nie jest używany, należy go przechowywać z dala od przedmiotów metalowych, takich jak spinacze, monety, gwoździe, śruby lub inne małe przedmioty z metalu, które mogą doprowadzić do połączenia ze sobą zacisków akumulatora.** Zwarcie zacisków akumulatora może doprowadzić do poparzenia skóry lub pożaru.
- **W skrajnych przypadkach, może dojść do wyrzucenia cieczy z akumulatora; unikać zetknięcia się z nią. Jeśli nastąpi przypadkowe zetknięcie z cieczą akumulatorową, należy miejsce zetknięcia przemyć wodą. Jeśli ciecz dostanie się do oczu, należy również skontaktować się z lekarzem.** Wyrzucana z akumulatora ciecz może doprowadzić do podrażnienia lub oparzenia skóry.
- **Nie używać uszkodzonego lub zmodyfikowanego zespołu akumulatora lub narzędzia.** W przypadku uszkodzonych lub zmodyfikowanych akumulatorów istnieje ryzyko nieprzewidywalnego działania, które może doprowadzić do pożaru, wybuchu lub obrażeń.
- **Nie narażać zespołu akumulatorów ani elektronarzędzia na działanie ognia ani nadmiernej temperatury.** Narażenie na działanie ognia lub temperatury powyżej 265 °F (130 °C) może spowodować wybuch.
- **Przestrzegać wszystkich instrukcji ładowania i nie ładować zespołu akumulatorów ani elektronarzędzia w temperaturze wykraczającej poza przedział temperatury określonych w instrukcjach.** Nieprawidłowe ładowanie lub przy temperaturach wykraczających poza podany zakres może spowodować uszkodzenie akumulatora i zwiększyć ryzyko pożaru.

## Serwis

- **Serwisowanie narzędzia elektrycznego należy powierzać wykwalifikowanej osobie używającej wyłącznie identycznych części zapasowych.** Dzięki temu zachowane zostanie bezpieczeństwo narzędzia elektrycznego.

## Informacje dotyczące bezpieczeństwa

### ⚠ OSTRZEŻENIE

**Ten rozdział zawiera ważne informacje dotyczące bezpieczeństwa użytkowania tego narzędzia.**

**Przed przystąpieniem do pracy z zaciskarkami należy dokładnie zapoznać się z niniejszymi zaleceniami, aby zmniejszyć ryzyko porażenia prądem elektrycznym lub innych poważnych obrażeń ciała.**

### ZACHOWAĆ WSZYSTKIE OSTRZEŻENIA I INSTRUKCJE NA PRZYSZŁOŚĆ!

W walizce do przenoszenia przewidziano miejsce na przechowywanie niniejszego podręcznika razem z narzędziem do użytku operatora.

## Bezpieczeństwo użytkowania zagniatarki

- **Podczas cyklu zaciskania nie zbliżać palców ani dłoni do osprzętu do zaciskania.** Palce lub dłonie mogą zostać zmiażdżone, połamane lub amputowane, jeśli zostaną pochwycone między osprzęt lub między te podzespoły i inne przedmioty.
- **Nigdy nie podejmować próby naprawy uszkodzonego osprzętu do zaciskania (szczęki, pierścień zaciskowy, siłownik itp.). Uszkodzony osprzęt należy wyrzucić.** Osprzęt, który został poddany spawaniu, uziemieniu, wierceniu lub został zmodyfikowany w jakikolwiek inny sposób może rozpaść się podczas zaciskania i doprowadzić do poważnych obrażeń. Należy wymienić cały osprzęt do zaciskania; w przeciwnym razie może dojść do uszkodzenia podzespołu i poważnych obrażeń.
- **Podczas pracy tego produktu powstają duże siły, które mogą łamać lub miotać fragmenty obrabianego materiału, powodując obrażenia.** Podczas pracy zachować odpowiedni odstęp i nosić sprzęt ochronny, w tym ochronę oczu.
- **Należy używać wyłącznie zaciskarek RIDGID® z odpowiednim osprzętem do zaciskania RIDGID lub zatwierdzonym przez RIDGID (szczęki, pierścienie zaciskowe, siłowniki itp.).** Stosowanie zaciskarek do innych celów lub ich modyfikowanie do innych zastosowań może spowodować uszkodzenie zaciskarki, osprzętu i/lub doprowadzić do uszkodzeń ciała.
- **Stosować właściwe połączenia narzędzia, osprzętu i oku.** Nieprawidłowe kombinacje mogą sprawić, że połączenie będzie niedokładne, co zwiększy ryzyko nieszczelności, uszkodzenia urządzenia i obrażeń.



• **Przed przystąpieniem do obsługi zaciskarki RIDGID® należy ze zrozumieniem przeczytać:**

- Instrukcję obsługi
- Instrukcje obsługi osprzętu
- Instrukcję obsługi ładowarki/akumulatora
- Instrukcje montażu podawane przez producenta okucia
- Instrukcje obsługi wszelkiego innego sprzętu lub materiałów używanych z tym narzędziem

Niestosowanie do wszystkich instrukcji i ostrzeżeń może być przyczyną szkód materialnych lub poważnych obrażeń ciała.

### Informacje kontaktowe RIDGID®

W razie jakichkolwiek pytań dotyczących tego produktu RIDGID® należy:

- Skontaktować się z lokalnym dystrybutorem firmy RIDGID.
- Należy odwiedzić stronę RIDGID.com w celu znalezienia lokalnego punktu kontaktowego RIDGID.
- Skontaktować się z Działem Pomocy Technicznej Ridge Tool pod adresem [rtctechservices@emerson.com](mailto:rtctechservices@emerson.com) lub na terenie Stanów Zjednoczonych oraz Kanady zadzwonić pod numer (800) 519-3456.

### Opis

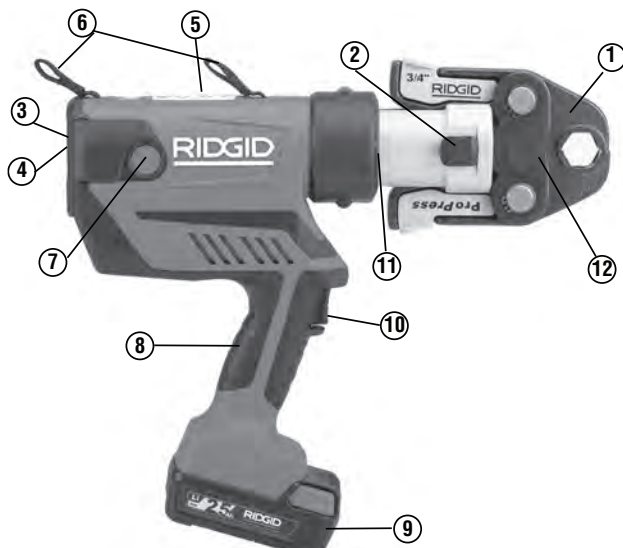
Zaciskarki RIDGID® RP 350 i RP 351, gdy są używane z odpowiednim osprzętem, służą do mechanicznego zaciskania okuć na rurach w celu utworzenia wodoszczelnych, stałych połączeń stosowanych w instalacjach kanalizacyjnych, ciepłowniczych, klimatyzacyjnych i chłodniczych. Dostępny jest również osprzęt do innych zastosowań.

Po naciśnięciu przełącznika pracy na zaciskarce wewnętrzny silnik elektryczny zasila pompę hydrauliczną, która przesyła płyn do siłownika narzędzia, przesuując tłok do przodu i wywierając nacisk na osprzęt zaciskający okucie. Cykl zaciskania trwa około 4 sekund. Po rozpoczęciu cyklu odkształcania będzie on wykonywany automatycznie aż do zakończenia, nawet po zwolnieniu przełącznika pracy.

Narzędzie można przełączyć w drugi tryb pracy („tryb sterowania”), do włączenia którego służy aplikacja RIDGID Link. Tryb sterowania umożliwia założenie okucia przed zaciśnięciem, co pozwala na prawidłowe ustawienie względem siebie osprzętu, okucia i rury.

Lampki kontrolne stanu narzędzia wskazują stan narzędzia, stan akumulatora, wymagane czynności konserwacyjne lub nieprawidłową temperaturę. Lampka robocza włącza się po naciśnięciu przełącznika pracy, aby oświetlić obszar pracy. Głowica może obracać się o 360°, co ułatwia dostęp do wąskich miejsc.

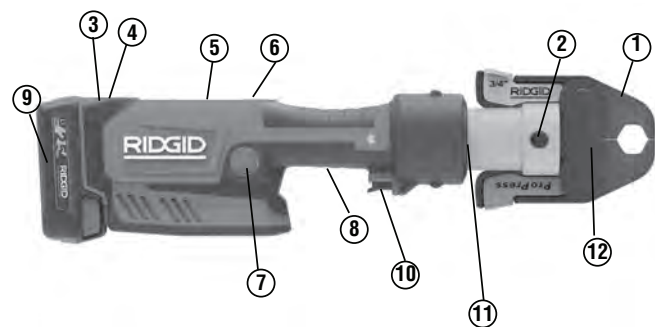
Narzędzia są dostarczane z pętlami z tkaniny, które mogą być używane z odpowiednim osprzętem, takim jak pas ramienio- wy lub linki do dowiązywania.



**Rysunek 1 – Zaciskarka RIDGID RP 350 i szczęka serii Standard**

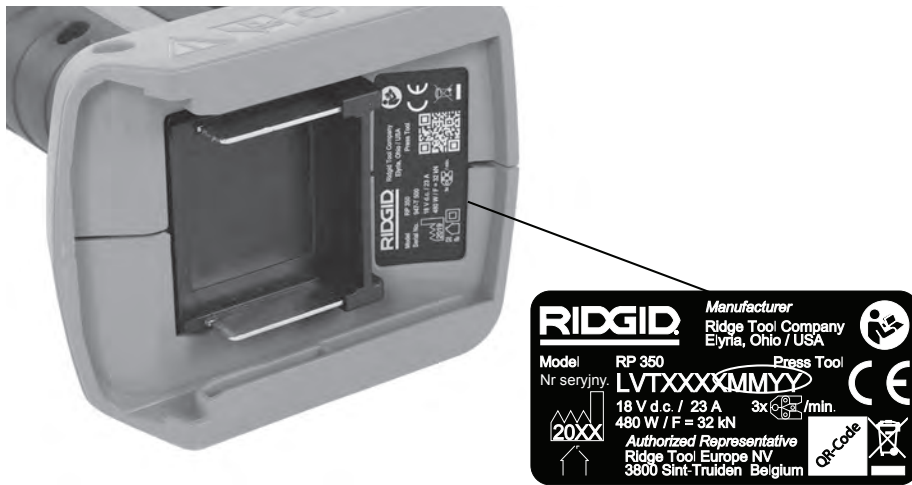
Zaciskarki mają wbudowaną technologię bezprzewodową Bluetooth®, która umożliwia połączenie z telefonami komórkowymi i tabletami. *Więcej szczegółów zawiera sekcja „Funkcje Bluetooth (Bezprzewodowe przesyłanie danych)”.*

\* Symbol i logo Bluetooth® są zarejestrowanymi znakami towarowymi Bluetooth SIG, inc i wszelkie użycie tych znaków przez firmę Emerson Electric Co. jest objęte licencją. Pozostałe znaki towarowe i nazwy handlowe należą do ich odpowiednich właścicieli.



**Rysunek 2 – Zaciskarka RIDGID RP 351 i szczęka serii Standard**

#	Opis		Opis
1	Zestaw szczęk typu nożycowego	7	Przycisk zwolnienia nacisku (strona oddalona RP 351)
2	Sworzeń montażowy osprzętu	8	Uchwyt
3	Lampki kontrolne stanu narzędzia	9	Akumulator
4	Przycisk WŁ./WYŁ.	10	Przełącznik pracy
5	Etykieta ostrzegawcza (RP 351 Spód)	11	Lampka robocza LED
6	Pętla z tkaniny	12	Tabliczka boczna szczęk

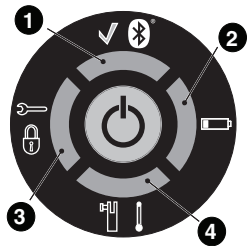


Rysunek 3 – Numer seryjny maszyny — Zakreślone cyfry oznaczają rok i miesiąc produkcji. (YY = rok, MM = miesiąc).

Kontrola	Znakowanie	Opis
Przycisk ON/OFF		Główny włącznik zasilania narzędzia. (I = WŁ., O = WYŁ.). WŁ.: Naciskać przycisk do chwili włączenia się lampki. <i>Zobacz Rysunek 5 – Lampki kontrolne stanu narzędzia.</i> WYŁ.: Naciskać przycisk do chwili wyłączenia się lampki. Narzędzie automatycznie WYŁĄCZY się, jeżeli nie będzie używane przez dziesięć (10) minut.
Przełącznik pracy	—	<b>Włączenie lampki roboczej:</b> Lekko nacisnąć przełącznik pracy. <b>Tryb normalny:</b> Nacisnąć przełącznik pracy, aby rozpocząć cykl zaciskania, zwolnić po zablokowaniu narzędzia. Tryb normalny jest ustawiony fabrycznie. <b>Tryb sterowania:</b> Nacisnąć przełącznik pracy, aby zaczepić osprzęt na detalu. Należy wykonać odpowiednie regulacje. Nacisnąć przełącznik pracy ponownie, aby rozpocząć cykl zaciskania, zwolnić po zablokowaniu narzędzia. Zwolnienie przycisku nie zatrzyma narzędzia, gdy się ono zablokuje. Zapewnia to jednakową, powtarzalną spójność połączeń zaciskanych. Tryb można zmieniać za pomocą aplikacji RIDGID Link, <i>informacje zawiera rozdział Funkcje Bluetooth.</i>
Przycisk zwolnienia nacisku		Umożliwia zwolnienie narzędzia bez ukończenia zaciskania. Po jego użyciu połączenie zaciskane nie jest wykonywane i jego wykonanie należy powtórzyć.
Sworzeń montażowy osprzętu	—	Mocuje osprzęt do narzędzia. Aby narzędzie działało, musi być całkowicie wsunięty. <i>Patrz rys. 6.</i>

Rysunek 4 – Tabela elementów sterowania


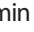




Numer segmentu lampki (Lampka świeci w sposób ciągły)				Opis
1	2	3	4	
—	—	—	—	Wyłączenie zaciskarki (WYŁ.).
Zielona	Zielona	Zielona	Zielona	Po naciśnięciu przycisku WŁ. świeci przez 4 sekundy po uruchomieniu, narzędzie działa w trybie normalnym.
Niebieskie	Niebieskie	Niebieskie	Niebieskie	Po naciśnięciu przycisku WŁ. świeci przez 4 sekundy po uruchomieniu, narzędzie działa w trybie sterowania — informacje o zmianie trybu zawiera rozdział <i>Funkcje Bluetooth</i> .
Zielona	—	—	—	Zaciskarka w trybie normalnym, gotowość, zaciskarka gotowa do pracy.
Czerwona	Żółta	Żółta	Żółta	Narzędzie zadziało wadliwie. Narzędzie nie będzie działać. Należy wyjąć i ponownie włożyć akumulator lub zasilacz prądu zmiennego. Jeśli lampka nadal świeci, narzędzie należy przekazać do serwisu.
Czerwona	—	—	—	Narzędzie zadziało wadliwie. Narzędzie nie będzie działać. Należy wyjąć i ponownie włożyć akumulator lub zasilacz prądu zmiennego. Jeśli nadal świeci czerwona lampka, narzędzie należy przekazać do serwisu.
Żółta	—	Czerwona	Czerwona	Narzędzie i/lub akumulator poza określonym zakresem temperatury pracy. Narzędzie nie będzie działać. Doprowadzić narzędzie i akumulator do prawidłowego zakresu temperatury pracy.
Żółta	—	—	Czerwona	Sworzeń montażowy osprzętu nie jest całkowicie osadzony. Narzędzie nie będzie działać. Wsunąć sworzeń do końca. Jeśli lampki nadal świecą, narzędzie należy przekazać do serwisu.
Żółta	Czerwona	—	—	Niski stan naładowania akumulatora. Narzędzie nie będzie działać. Naładować akumulator/włożyć całkowicie naładowany akumulator.
Zielona	Niebieskie	Niebieskie	Niebieskie	Nawiązano połączenie Bluetooth, gotowość, zaciskarka gotowa do pracy — więcej informacji zawiera rozdział <i>Funkcje Bluetooth</i> .
		Fioletowy		Trwa aktualizacja oprogramowania wbudowanego; w czasie aktualizacji narzędzia nie należy używać.

Rysunek 5 – Lampki kontrolne stanu narzędzia

## Dane techniczne

	Zaciskarka pistoletowa RP 350	Zaciskarka liniowa RP 351
Osprzęt .....	RIDGID, seria Standard	RIDGID, seria Standard
Skok .....	1.57" (40 mm)	1.57" (40 mm)
Silnik		
Napięcie .....	18V DC, znamionowe	18V DC, znamionowe
Natężenie .....	23 A	23 A
Moc .....	480 W	480 W
Siła tłoka .....	7 200 funtów (32 kN)	7 200 funtów (32 kN)
Zakres obrotu głowicy .....	360°	360°
Cykl pracy .....	3 zaciśnięcia  /min	3 zaciśnięcia  /min
Zasilanie .....	Zespół akumulatorów litowo-jonowych z serii RIDGID RB-18XX, 18 V lub zasilacz RIDGID RPA 120/220 AC (Patrz sekcja Wyposażenie opcjonalne)	
Zasięg Bluetooth .....	33 stopy (10 m)	33 stopy (10 m)
Dopuszczalna wilgotność .....	Maks. 80%	Maks. 80%
Zakres temperatury roboczej .....	Od 15°F do 122°F (od -10°C do 50°C)	Od 15°F do 122°F (od -10°C do 50°C)
Temperatura przechowywania .....	Od 32°F do 113°F (od 0°C do 45°C)	Od 32°F do 113°F (od 0°C do 45°C)
Ciężar (bez akumulatora/osprzętu) .....	7.83 funta (3,55 kg)	7.83 funta (3,55 kg)
Wymiary .....	11.3" x 11.0" x 3.1" 287 mm x 279 mm x 77 mm	15.7" x 4.65" x 3.1" 398 mm x 118 mm x 77 mm
Ciśnienie akustyczne (L <sub>PA</sub> )* .....	<74,5 dB(A), K=3 dB(A)	<74,5 dB(A), K=3 dB(A)
Wibracje* .....	<1,13 m/s <sup>2</sup> , K=1,5	<1,13 m/s <sup>2</sup> , K=1,5

\* Pomiar dźwięku i wibracji są dokonywane zgodnie ze standaryzowanymi badaniami zgodnymi z Normą EN 62481-1.

- Poziomy wibracji mogą zostać użyte do porównania z innymi narzędziami oraz wstępnej oceny narażenia.

- Emisja dźwięku i wibracji może się różnić w zależności od położenia i konkretnego zastosowania narzędzi.

- Poziomy dziennego narażenia na dźwięk i wibracje muszą zostać oszacowane dla każdego zastosowania, a także zastosowane odpowiednie środki zapobiegawcze, jeśli zajdzie taka potrzeba. Oszacowanie poziomów narażenia powinno uwzględniać czas, gdy narzędzie jest wyłączone i nie jest w użytku. Może to drastycznie zmniejszyć poziom narażenia w całkowitym czasie pracy.

## Wyposażenie standardowe

Szczegółowe informacje dotyczące dostarczonego wyposażenia wraz z właściwymi numerami katalogowymi narzędzia podano w katalogu RIDGID.

UWAGA! Osprzęt zaciskarek RIDGID jest dostępny w dwóch „seriach”

- Seria Standard
- Seria Compact

Osprzęt z tych serii nie jest wymienny. Osprzęt z serii Standard działa tylko z narzędziami z serii Standard (RP 350, RP 351, RP 342-XL, RP 340, RP 330, 320-E, CT-400). Osprzęt z serii Compact działa tylko z narzędziami z serii Compact (RP 240, RP 241, RP 200, RP 210, 100B).

**NOTATKA** Za wybór odpowiednich materiałów oraz metod łączenia odpowiedzialni są projektant i/lub monter instalacji. Przed podjęciem próby instalacji należy dokonać dokładnej oceny specyficznego środowiska serwisowego, z uwzględnieniem warunków chemicznych i temperatury serwisowej. W celu dokonania wyboru niezbędnych informacji należy skontaktować się z producentem systemu okuć zaciskanych.

## Przegląd przed rozpoczęciem pracy

### ⚠ OSTRZEŻENIE



**Codziennie przed rozpoczęciem użytkowania należy dokonać przeglądu zaciskarki i skorygować wszelkie problemy, aby zmniejszyć ryzyko poważnych obrażeń ciała na skutek porażenia elektrycznego, zmiążdżenia, awarii osprzętu i innych przyczyn oraz zapobiec uszkodzeniu narzędzia.**

1. Wyłączyć narzędzie i wyjąć z niego akumulator/zasilacz prądu zmiennego.
2. Usunąć olej, smar i brud z urządzenia, zwłaszcza z uchwytów, dźwigni i elementów sterujących. Ułatwi to przegląd i sprawi, że całe narzędzie lub element obsługi nie wysliznie się z ręki operatora.
3. Dokonać przeglądu zagniatarki pod względem:
  - Właściwy montaż, konserwacja i kompletność części.
  - Jakiegokolwiek uszkodzone, zużyte, brakujące, niedopasowane lub wygięte części. Upewnić się, czy pętle z tkaniny są w dobrym stanie.

- Płynność ruchów sworznia montażowego osprzętu pomiędzy położeniem całkowicie otwartym i całkowicie zamkniętym. Sworzeń powinien blokować się w każdym z tych położeni. Upewnić się, czy przełącznik pracy przesuwa się swobodnie i nie zakleszcza się ani nie blokuje.
- Obecność i czytelność tabliczki ostrzegawczej (patrz Rysunek 6).
- Wszelkie inne stany, które mogą negatywnie wpłynąć na bezpieczne i normalne działanie.

Nie używać zaciskarki do chwili usunięcia wszelkich istniejących problemów.



Rysunek 6 – Lampki kontrolne stanu/Etykieta ostrzegawcza

4. Przegląd i konserwację osprzętu narzędzi należy przeprowadzać według odpowiednich instrukcji. Wymontować osprzęt z narzędzia. Upewnić się, czy osprzęt jest w dobrym stanie i jest wyraźnie oznaczony, jako przeznaczony do użycia.
5. Dokonać przeglądu i konserwacji całego innego sprzętu używanego zgodnie z instrukcjami, aby upewnić się co do jego prawidłowego działania.

## Ustawienia i obsługa

### ⚠ OSTRZEŻENIE



Podczas cyklu zaciskania nie należy zbliżać palców ani dłoni do osprzętu narzędzia.

Palce lub dłonie mogą ulec zmiążdżeniu, połamaniu lub ucięciu w osprzęcie, narzędziu lub pomiędzy osprzętem, detalem i innymi przedmiotami.

Podczas pracy tego produktu powstają duże siły, które mogą łamać lub miotać fragmenty obrabianego materiału, powodując obrażenia. Podczas pracy zachować odpowiedni odstęp i nosić sprzęt ochronny, w tym ochronę oczu.

**Stosować właściwe połączenia narzędzia, osprzętu i okuć. Nieprawidłowe kombinacje mogą sprawić, że połączenie zaciskane będzie niedokładne, co zwiększy ryzyko nieszczelności, uszkodzenia urządzenia i obrażeń.**

**Aby zmniejszyć ryzyko obrażeń na skutek zmiążdżenia i innych przyczyn oraz zapobiec uszkodzeniu narzędzia, należy postępować według opisów w punkcie *Ustawienia i obsługa*.**

1. Sprawdzić, czy obszar pracy jest prawidłowy (Patrz *Informacje ogólne dotyczące bezpieczeństwa narzędzi elektrycznych*). Pracować w czystym, równym, stabilnym i suchym miejscu. Nie użytkować narzędzia stojąc w wodzie.
2. Zapoznać się z zadaniem, jakie ma zostać wykonane i dobrać narzędzie RIDGID i osprzęt RIDGID odpowiednie do zastosowania w zależności od ich parametrów technicznych. Użycie urządzenia nieodpowiedniego do wykonywanego zadania może prowadzić do obrażeń, uszkodzenia narzędzia i wykonania złączy o słabszej jakości.
3. Upewnić się, że cały sprzęt do użycia został właściwie sprawdzony i przygotowany zgodnie z instrukcją obsługi.

## Wymontowywanie/zakładanie osprzętu

1. Wyłączyć narzędzie i wyjąć z niego akumulator/zasilacz prądu zmiennego.
  2. Otworzyć całkowicie sworzeń montażowy osprzętu. Wyjąć/wsunąć odpowiedni osprzęt (Rysunek 7).
  3. Całkowicie zamknąć sworzeń montażowy osprzętu, tak aby się zablokował w położeniu zamkniętym. Sworzeń montażowy osprzętu musi być całkowicie zamknięty, aby uniknąć uszkodzeniu narzędzia podczas eksploatacji. Lampki kontrolne narzędzia zaczną świecić, wskazując stan, patrz Rysunek 5, *Lampki kontrolne stanu narzędzia*.
- UWAGA! Nie uruchamiać narzędzia bez założonego osprzętu, ponieważ może to spowodować uszkodzenie narzędzia.



Rys. 7 – Sworzeń montażowy osprzętu

## Przygotowywanie połączenia

**NOTATKA** Instrukcje te określają ogólne praktyki dotyczące kilku typów osprzętów zaciskarki. Zawsze należy przestrzegać wyznaczonych instrukcji dotyczących używanego osprzętu zaciskarki oraz instrukcji montażu określonych producentów okuć, aby zredukować ryzyko nieprawidłowych połączeń i szkód materialnych.

1. Przygotować połączenie zaciskane zgodnie z instrukcjami producenta okucia.
2. Suchymi rękami należy włożyć do narzędzia całkowicie naładowany akumulator lub zasilacz prądu zmiennego. W przypadku użycia zasilacza przewodowego z wyłącznikiem GFCI znamionowy prąd resztkowy wyłącznika GFCI (RCD) powinien wynosić 30 mA lub mniej. Naciśnięcie przycisku WŁ./WYŁ. jeden raz, aby włączyć narzędzie. Wszystkie lampki LED zaczną świecić na zielono, wskazując, że narzędzie jest gotowe do użycia. *Informacje na temat innych lampek można znaleźć na Rysunku 5 – Lampki kontrolne stanu narzędzia.*

## Zaciskanie okucia typowymi szczękami nożowymi

1. Odpowiednio trzymać narzędzie obiema rękami.

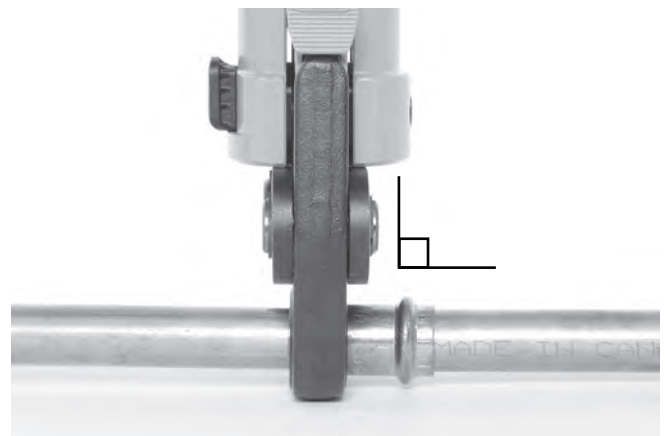


Rysunek 8 – Sposób trzymania narzędzia

2. Ścisnąć ramiona szczęk, by otworzyć szczęki.
3. Umieścić otwarte szczęki wokół okucia (Rysunek 9). Ustawić prawidłowo profil zaciskania szczęki z obrysem okucia, jak określono w punkcie Instrukcje montażu podawane przez producenta okucia. Zwolnić ramiona szczęk, aby zamknąć szczęki wokół okucia. Zestaw szczęk nie powinien zwiisać z okucia. Narzędzie może niespodziewanie spaść, powodując poważną kontuzję lub śmierć.



Rys. 9 – Umieszczanie szczęk nożowych wokół okucia



Rys. 10 – Szczęki ustawione prostopadle do okucia

4. Potwierdzić, że szczęki są właściwie osadzone i ustawione prostopadle do okucia (Rysunek 10). Trzymać palce i dłonie z dala od szczęk, aby uniknąć zmiężdżenia przez szczęki lub między szczękami a znajdującymi się w pobliżu przedmiotami.

**Tryb normalny:** Naciśnięcie przełącznika pracy (Rysunki 1 i 2). Gdy rozpocznie się cykl pracy narzędzia i rolki dotkną ramion szczęk, narzędzie zablokuje się i automatycznie dokończy cykl. Zwolnienie przycisku nie zatrzyma narzędzia, gdy się ono zablokuje. Zapewnia to jednakową, powtarzalną spójność połączeń zaciskanych.

**Tryb sterowania:** Naciśnięcie przełącznika pracy (Rysunki 1 i 2). Szczęki załączają się na okuciu, ale połączenie zaciskane nie zostaje wykonane. Należy wykonać odpowiednie regulacje. Naciśnięcie ponownie przełącznika pracy, narzędzie zablokuje się i automatycznie dokończy cykl. Zwolnienie przycisku nie zatrzyma narzędzia, gdy się ono zablokuje. Zapewnia to jednakową, powtarzalną spójność połączeń zaciskanych.

Jeśli narzędzie musi zostać usunięte, zanim połączenie zaciskane zostanie wykonane, należy nacisnąć przycisk zwolnienia nacisku (Rysunki 1 i 2).



**NOTATKA** Za każdym razem, gdy przycisk zwolnienia zostanie naciśnięty, połączenie zaciskane NIE jest wykonywane i okucie musi zostać zaciśnięte ponownie, aby zostało ukończone. Jeśli narzędzie zawiedzie podczas pracy, użyć następującej procedury.

5. Zwolnić wyłącznik pracy.
6. Ścisnąć ramiona szczęk, by otworzyć szczęki.
7. Zdjąć szczękę z okucia. Unikać ostrych krawędzi, które mogły zostać utworzone na okuciu w trakcie operacji zaciskania.
8. Gdy praca zostanie ukończona, nacisnąć jeden raz przycisk WŁ./WYŁ., aby WYŁĄCZYĆ narzędzie. Wyjąć z narzędzia akumulator lub zasilacz prądu zmiennego.

### Zaciskanie okucia z typowym siłownikiem i zestawem pierścieni zaciskowych

1. Otworzyć pierścień i założyć wokół okucia. Ustawić prawidłowo profil zaciskania pierścienia z obrysem okucia, jak wskazano w punkcie *Instrukcje montażu podawane przez producenta okucia*. Zwolnić pierścień, aby zamknąć go wokół okucia (*Rysunek 11*).
2. Potwierdzić, że właściwy siłownik jest dokładnie zamontowany w narzędziu. Ścisnąć ramiona siłownika, aby otworzyć końcówki siłownika. Ustawić końcówki siłownika w linii z wgłębieniami pierścienia. Zwolnić ramiona siłownika i w pełni zaciśnąć końcówki siłownika we wgłębieniach pierścienia (*Rysunek 12*). Niewłaściwe ułożenie końcówki siłownika względem wgłębienia pierścienia może uszkodzić pierścień lub siłownik podczas zaciskania. Nie zawieszaj urządzenia, ani siłownika na pierścieniu zaciskowym. Narzędzie może niespodziewanie spaść, powodując poważne obrażenia lub śmierć.



**Rysunek 11 – Montaż pierścienia zaciskowego na okuciu**



**Rysunek 12 – Dołączanie siłownika do pierścienia zaciskowego**

3. Potwierdzić, że pierścień jest właściwie osadzony, prostopadle do okucia. Trzymać palce i ręce z dala od siłownika i pierścienia, aby uniknąć zmiżdżenia przez element dołączany lub między elementem dołączanym a otoczeniem.

**Tryb normalny:** Nacisnąć przełącznik pracy (*Rysunki 1 i 2*). Gdy rozpocznie się cykl pracy narzędzia i rolki dotkną ramion szczęk, narzędzie zablokuje się i automatycznie dokończy cykl. Zwolnienie przycisku nie zatrzyma narzędzia, gdy się ono zablokuje. Zapewnia to jednakową, powtarzalną spójność połączeń zaciskanych.

**Tryb sterowania:** Nacisnąć przełącznik pracy (*Rysunki 1 i 2*). Szczęki załączają się na okuciu, ale połączenie zaciskane nie zostaje wykonane. Należy wykonać odpowiednie regulacje. Nacisnąć ponownie przełącznik pracy, narzędzie zablokuje się i automatycznie dokończy cykl. Zwolnienie przycisku nie zatrzyma narzędzia, gdy się ono zablokuje. Zapewnia to jednakową, powtarzalną spójność połączeń zaciskanych.

4. Jeśli narzędzie musi zostać usunięte, zanim połączenie zaciskane zostanie wykonane, należy nacisnąć przycisk zwolnienia nacisku (*Rysunki 1 i 2*).

**NOTATKA** Za każdym razem, gdy przycisk zwolnienia zostanie naciśnięty, zaciskanie NIE jest wykonywane i połączenie zaciskane musi zostać zaciśnięte ponownie, aby zostało ukończone. Jeśli narzędzie zawiedzie podczas pracy, użyć następującej procedury.

5. Zwolnić wyłącznik pracy.
6. Ścisnąć siłownik, aby otworzyć końcówki siłownika. Zdjąć siłownik z okucia.
7. Zdjąć pierścień z okucia. Unikać ostrych krawędzi, które mogły zostać utworzone na okuciu w trakcie operacji zaciskania.
8. Gdy praca zostanie ukończona, nacisnąć jeden raz przycisk WŁ./WYŁ., aby WYŁĄCZYĆ narzędzie. Wyjąć z narzędzia akumulator lub zasilacz prądu zmiennego.



## Sprawdzanie zagniecionego połączenia

1. Sprawdzić zagnieciono połączenie pod względem:
  - Pełnego wstawienia rury do okucia.
  - Nadmiernego niedopasowania rur. Niewielkie niedopasowanie przy połączeniu zaciskany jest uznawane jako normalne.
  - Nieprawidłowego ustawienia osprzętu względem konturu okucia. Zniszczonego lub odkształconego okucia.
  - Innych problemów związanych z producentem okucia. Może to dotyczyć usunięcia pierścienia regulacyjnego lub plakietki (służy do wskazywania, że połączenie nie zostało jeszcze zaciśnięte).

W razie stwierdzenia jakichkolwiek innych problemów, usunąć okucie i zamontować nowe połączenie zaciskane.
2. Sprawdzić połączenie zaciskane zgodnie z instrukcjami producenta złącza, ogólnymi praktykami i stosownymi przepisami.

## Funkcje Bluetooth (Bezprzewodowe przesyłanie danych)

Zaciskarki RIDGID® RP 350 i RP 351 mają wbudowaną technologię bezprzewodową Bluetooth®, umożliwiającą bezprzewodowe przesyłanie danych do odpowiednio wyposażonych smartfonów lub tabletów ("urządzeń") pracujących pod kontrolą systemów operacyjnych Android.

1. Pobrać na swoje urządzenie odpowiednią aplikację RIDGID® Link, przechodząc na stronę RIDGID.com/apps, do Google Play Store albo Apple App Store.
2. Gdy narzędzie jest WŁĄCZONE, to urządzenie wyposażone w technologię bezprzewodową Bluetooth może znaleźć zagniatarkę i sparować się z nią. W ustawieniach Bluetooth urządzenia należy wybrać odpowiednie narzędzie RIDGID. Dokładne informacje na temat sposobu nawiązywania połączenia za pośrednictwem technologii bezprzewodowej Bluetooth można znaleźć w instrukcjach urządzenia. Po nawiązaniu połączenia zaświecą lampki kontrolne stanu narzędzia zielona-niebieska-niebieska-niebieska. Po początkowym sparowaniu większość urządzeń będzie automatycznie łączyć się z narzędziami po aktywowaniu technologii bezprzewodowej Bluetooth i w jej zasięgu oraz pod warunkiem że ustawienia urządzenia to umożliwiają. Zaciskarki powinny znajdować się w odległości mniejszej niż 33 stopy. (10 m) od urządzenia, aby mogły zostać wykryte. Wszelkie przeszkody pomiędzy narzędziem i urządzeniem mogą zmniejszyć zakres pracy.
3. Aby prawidłowo korzystać z tego rozwiązania, należy postępować wg instrukcji w aplikacji. Aplikacja umożliwia zmianę trybu pracy. Za pomocą aplikacji można również monitorować cykl narzędzia.
4. Bezprzewodowe przesyłanie danych wyłączy się po wyłączeniu zaciskarki. Należy wyłączyć urządzenie bezprzewodowe Bluetooth, aby zmniejszyć zużycie akumulatora.

## Praca przy niskich temperaturach otoczenia

Kiedy temperatura spada, płyn hydrauliczny gęstnieje i wydajność akumulatora spada. Aby zmniejszyć ryzyko nieprawidłowej obsługi, narzędzia RP 350 i RP 351 nie będą pracowały poza wyszczególnionym zakresem temperatury pracy, zgodnie ze wskazaniami lampek kontrolnych stanu urządzenia (*Rysunek 5*).

Gdy warunki otoczenia wykraczają poza podany zakres temperatury, narzędzie i akumulatory należy przechowywać w przestrzeni kondycjonowanej, do chwili gotowości do użycia.

## Przechowywanie

Wyjąć z zaciskarki akumulator lub zasilacz prądu zmiennego. Schować zaciskarkę i akumulator do futerału. Unikać przechowywania ich w ekstremalnym cieple lub zimnie. Narzędzie nie włączy się, jeśli parametry pracy narzędzia będą poza zakresem. Wskażać to lampki kontrolne stanu narzędzia. (*Patrz Rysunek 5*)

**⚠ OSTRZEŻENIE** Przechowywać narzędzie w suchym, bezpiecznym i zamkniętym miejscu, znajdującym się poza zasięgiem dzieci i osób niezaznajomionych z działaniem zaciskarki. W rękach niewykszolonych użytkowników narzędzie stwarza niebezpieczeństwo.

## Instrukcje konserwacji

**⚠ OSTRZEŻENIE**

**Przed przeprowadzeniem konserwacji lub wprowadzeniem jakichkolwiek ustawień należy upewnić się, że narzędzie jest wyłączone, a akumulator lub zasilacz prądu zmiennego został z niego wyjęty.**

## Czyszczenie i smarowanie

1. Narzędzie wycierać codziennie do czysta suchą czystą szmatką.
2. Sprawdzić sworzeń montażowy osprzętu i jeżeli zachodzi potrzeba, nasmarować sworzeń smarem silikonowym.
3. Przy każdym użyciu sprawdzić sprężyny powrotne osprzętu. Osprzęt powinien się swobodnie otwierać i zamykać po naciśnięciu palcem z umiarkowaną siłą.

## Serwis i naprawa

**⚠ OSTRZEŻENIE**

**Nieprawidłowe serwisowanie lub naprawa mogą spowodować, że narzędzie będzie niebezpieczne w obsłudze.**

Serwisowanie i naprawy zaciskarek RP 350 i RP 351 należy powierzać Niezależnemu Centrum Serwisowemu zaciskarek firmy RIDGID.

Aby uzyskać informacje o najbliższym Niezależnym autoryzowanym centrum serwisowym RIDGID lub w razie pytań związanych z serwisem lub naprawami, należy zapoznać się z rozdziałem *Informacje kontaktowe* w tej instrukcji obsługi.

## Rozwiązywanie problemów

OBJAW	MOŻLIWE PRZYCZYNY	ROZWIĄZANIE
<b>Narzędzie nie włączy się po naciśnięciu przycisku WŁ./WYŁ.</b>	Akumulator jest całkowicie rozładowany lub posiada usterkę. Akumulator nie jest prawidłowo włożony do uchwytu narzędzia Zasilacz prądu zmiennego nieprawidłowo włożony do narzędzia.	Włożyć w pełni naładowany akumulator/naładować akumulator. Upewnić się, czy akumulator jest wsunięty do końca. Włożyć zasilacz prądu zmiennego do narzędzia w sposób prawidłowy.
<b>Osprzęt jest zablokowany na okuciu.</b>	Połączenie zaciskane nie zostało wykonane z powodzeniem.	Nacisnąć przycisk zwolnienia nacisku, aby zwolnić szczękę z okucia. Sprawdzić i ponownie zacisnąć okucie.
<b>Wykonywane połączenia zagniatane nie są w pełni zaciśnięte.</b>	Zastosowano nieprawidłową szczękę w stosunku do rozmiaru lub materiału rury. Narzędzie nie było ustawione pod kątem prostym względem rury. Kontur zaciskający osprzętu nie został ustawiony w linii względem konturu okucia. Narzędzie wymaga naprawy.	Zamontować prawidłowy osprzęt. Wykonać ponownie połączenie zaciskane z użyciem nowego okucia i nowej rury. Dopilnować, aby narzędzie było ustawione pod kątem prostym względem rury. Wykonać ponownie połączenie z użyciem nowej rury i nowego okucia. Upewnić się, czy kontur zaciskający osprzętu został ustawiony w linii względem konturu okucia. Zlecić serwisowanie.
<b>Z narzędzia wycieka olej.</b>	Wadliwe uszczelnienie lub problemy mechaniczne.	
<b>Silnik działa, ale narzędzie nie kończy cyklu.</b>	Niski poziom oleju.	Zlecić serwisowanie.
<b>Narzędzie zatrzymuje się podczas działania.</b>	Niski poziom oleju.	

**Zobacz Rys. 5 – Lampki kontrolne stanu narzędzia**

## Wyposażenie opcjonalne

### ⚠ OSTRZEŻENIE

**Aby zmniejszyć ryzyko poważnych obrażeń, należy używać wyposażenia przeznaczonego i zalecanego dla zaciskarek RP 350 i RP 351, zgodnie z poniższym opisem.**

#### Zestawy akumulatora i zasilacza

Nr katalogowy	Opis
56513	Akumulator litowo-jonowy RB-1825 18 V, 2,5 Ah
56518	Akumulator litowo-jonowy RB-1850 18 V, 5,0 Ah
44468	Zasilacz prądu zmiennego 120 — Ameryka Północna
43338	Zasilacz prądu zmiennego 220 — Europa
44823	Zasilacz prądu zmiennego 120 — Chiny

#### Ładowarki i kable

Nr katalogowy		Region	Typ wtyczki
64383	Ładowarka RBC-30	Ameryka Północna	A
56523	Ładowarka RBC-30	Europa	C
64388	Ładowarka RBC-30	Chiny	A
64393	Ładowarka RBC-30	Australia	I
64378	Ładowarka RBC-30	Japonia	A
64398	Ładowarka RBC-30	Wielka Brytania	G
64173	Przewód ładowarki RBC-30	Ameryka Północna	A
64183	Przewód ładowarki RBC-30	Europa	C

Pełny wykaz osprzętu RIDGID dostępnego do tych narzędzi zamieszczono w katalogu online Ridge Tool pod adresem RIDGID.com; informacje można również uzyskać przy użyciu kontaktów zawartych w części *Informacje kontaktowe*.

## Utylizacja

Części tych narzędzi zawierają cenne materiały, które można poddać recyklingowi. Lokalnie można znaleźć firmy specjalizujące się w recyklingu. Zutylizować wszystkie części zgodnie z wszystkimi stosownymi przepisami. W celu uzyskania dalszych informacji należy skontaktować się z lokalnymi władzami odpowiedzialnymi za gospodarkę odpadami.



**W krajach UE:** Nie wolno utylizować urządzeń elektrycznych wraz z odpadami z gospodarstwa domowego!

Zgodnie z Dyrektywą europejską 2012/19/UE dotyczącą odpadów elektrycznych i elektronicznych i jej wdrożeniem do prawodawstwa krajowego, urządzenia elektryczne, które nie nadają się już do użycia, muszą być zbierane oddzielnie i utylizowane w sposób przyjazny dla środowiska.

## Zgodność elektromagnetyczna (EMC)

Termin „zgodność elektromagnetyczna” oznacza zdolność produktu do bezproblemowego działania w otoczeniu, w którym występują wyładowania elektromagnetyczne i elektrostatyczne bez wywoływania zakłóceń elektromagnetycznych w innych urządzeniach.

**NOTATKA** Te narzędzia spełniają wymagania wszystkich obowiązujących norm EMC. Nie można jednak wykluczyć możliwości wywoływania przez nie zakłóceń w innych urządzeniach. Wszystkie normy związane z kompatybilnością elektromagnetyczną (EMC) zostały sprawdzone i przytoczone w dokumentacji technicznej narzędzia.

## Instrukcje FCC/ICES

To urządzenie jest zgodne z Częścią 15 Reguł FCC. Obsługa podlega następującym dwóm warunkom:

1. Urządzenie nie może powodować zakłóceń.
2. Urządzenie musi być odporne na zakłócenia, nawet te powodujące nieprawidłowości w jego działaniu.

Modyfikacje niezatwierdzone jawnie przez to przedsiębiorstwo mogą unieważnić prawo użytkownika do eksploataowania urządzenia.

Ten sprzęt został przetestowany i spełnia ograniczenia dla urządzeń cyfrowych klasy A według Części 15 Przepisów FCC. Ograniczenia te mają na celu zapewnienie ochrony przed szkodliwymi zakłóceniami podczas eksploatacji sprzętu w środowisku gospodarczym. Ten sprzęt generuje, wykorzystuje i promieniuje energię o częstotliwości radiowej i w razie montażu lub użytkowania niezgodnego z instrukcją obsługi, może powodować szkodliwe zakłócenia komunikacji radiowej. Eksploatacja tego sprzętu w obszarach mieszkalnych może powodować szkodliwe zakłócenia; odpowiedzialność za skorygowanie tych zakłóceń ponosi użytkownik.

Ten produkt jest zgodny z Kanadyjskimi Specyfikacjami ICES-003 Class A. *Zobacz etykietę Deklaracji na narzędziu.*

# RP 350/RP 351

## Lisovací nástroje



### **⚠ VÝSTRAHA!**

Před používáním tohoto nástroje si pečlivě přečtěte tento návod k použití. Nepochopení a nedodržení obsahu tohoto návodu může vést k úrazu elektrickým proudem, vzniku požáru nebo k závažné újmě na zdraví.

#### Lisovací nástroje RP 350/RP 351

Zaznamenejte si níže uvedené sériové číslo a zapamatujte si sériové číslo výrobku, které je uvedeno na továrním štítku.

Výrobní č.

--	--



## Obsah

<b>Záznamový formulář sériového čísla stroje</b> .....	191
<b>Bezpečnostní symboly/symboly</b> .....	193
<b>Všeobecné bezpečnostní výstrahy týkající se elektrického nářadí</b> .....	193
Bezpečnost na pracovišti .....	193
Elektrobezpečnost .....	193
Osobní bezpečnost .....	194
Používání a údržba elektrického nářadí .....	194
Používání a údržba bateriového nástroje .....	195
Servis .....	195
<b>Specifické informace o bezpečnosti</b> .....	195
Bezpečnost lisovací nástroje .....	195
<b>Kontaktní informace RIDGID®</b> .....	196
<b>Popis</b> .....	196
<b>Specifikace</b> .....	198
Standardní vybavení .....	199
<b>Kontrola před zahájením práce</b> .....	199
<b>Nastavení a provoz</b> .....	200
Demontáž/montáž nástavce .....	200
Příprava spoje .....	200
Lisování armatury pomocí typických nůžkových čelistí .....	201
Lisování armatury pomocí typického pohonu a sady lisovacího kroužku .....	202
Kontrola lisovaného spoje .....	202
Funkce Bluetooth (bezdrátový přenos dat) .....	202
Provoz v chladném počasí .....	203
<b>Uskladnění</b> .....	203
<b>Návod k údržbě</b> .....	203
Čištění a mazání .....	203
<b>Servis a opravy</b> .....	203
<b>Řešení problémů</b> .....	204
<b>Volitelné vybavení</b> .....	205
<b>Likvidace</b> .....	205
<b>Elektromagnetická kompatibilita (EMC)</b> .....	206
<b>Prohlášení FCC/ICES</b> .....	206
<b>Prohlášení o shodě ES</b> .....	Na vnitřní straně zadního obalu
<b>Záruka po dobu životnosti</b> .....	Zadní strana obálky

\*Překlad původního návodu k použití

## Bezpečnostní symboly/symboly

V tomto návodu k použití a na výrobku jsou použity bezpečnostní symboly a signální slova, která sdělují důležité informace týkající se bezpečnosti. Úlohou tohoto oddílu je snaha o lepší porozumění těmto signálním slovům a symbolům.



Toto je výstražný bezpečnostní symbol. Je používán pro to, aby vás upozornil na možné nebezpečí poranění osob. Dodržujte všech na upozornění týkající se bezpečnosti, na která tento symbol upozorňuje, abyste se vyvarovali možného poranění nebo usmrcení.

### ⚠ NEBEZPEČÍ

NEBEZPEČÍ označuje nebezpečnou situaci, která - kdyby nastala - by mohla mít za následek smrt nebo vážný úraz.

### ⚠ VÝSTRAHA

VÝSTRAHA označuje nebezpečnou situaci, následkem které může dojít k usmrcení nebo vážnému zranění, pokud se jí nevyvarujete.

### ⚠ OPATRNĚ

OPATRNĚ označuje nebezpečnou situaci, která - kdyby nastala - by mohla mít za následek menší nebo lehký úraz.

### POZNÁMKA

POZNÁMKA označuje informaci, která se vztahuje k ochraně majetku.



Tento symbol znamená, že si před prací s tímto zařízením musíte pečlivě pročíst návod k použití. Návod k použití obsahuje důležité informace o bezpečné a správné obsluze zařízení.



Tento symbol znamená, že musíte používat ochranné brýle s bočnicemi nebo bezpečnostní brýle typu lyžařských brýlí pro snížení rizika úrazu očí vždy, když s tímto náčiním zacházíte nebo pracujete.



Tento symbol označuje nebezpečí rozdrčení rukou, prstů nebo jiných částí těla.



Tento symbol značí nebezpečí zasažení elektrickým proudem.



Tento symbol značí, že se jedná o výrobek určen k použití pouze ve vnitřních prostorách.



Tento symbol značí, že se jedná o výrobek, který se řadí mezi vybavení třídy 2.



Tento symbol značí, že by se toto elektrické zařízení nemělo likvidovat spolu s domácím odpadem. Viz část „Likvidace“.



Tento symbol značí, že toto elektrické zařízení splňuje požadavky příslušných evropských směrnic.



Tento symbol značí rok výroby produktu.

## Všeobecné bezpečnostní výstrahy týkající se elektrického nářadí\*

### ⚠ VÝSTRAHA

**Pročtěte si všechna bezpečnostní varování, pokyny a specifikace poskytnuté s tímto elektrickým nástrojem. Nedodržení všech níže uvedených pokynů může mít za následek úraz elektrickým proudem, vznik požáru nebo závažnou újmu na zdraví.**

### VŠECHNA VAROVÁNÍ A POKYNY UCHOVEJTE PRO PŘÍŠTÍ POUŽITÍ!

Termín „elektrické nářadí“ v části varování uvádí hlavní část elektrického nářadí (připojené kabelem) nebo dobíjený baterií (bezdrátový).

### Bezpečnost na pracovišti

- Pracoviště udržujte čisté a dobře osvětlené. Temná pracoviště nebo pracoviště plná nepořádku jsou zdrojem nehod.

- S elektrickým nářadím nepracujte ve výbušném prostředí způsobeném přítomností lehké zápalných kapalin, plynů nebo prachu. Elektrické nářadí jiskří a jiskry mohou zapálit prach nebo výpary.
- Děti a okolo stojící osoby by se neměly přibližovat k nářadí, pokud je používáno. Rozptylování může mít za následek ztrátu kontroly.

### Elektrobezpečnost

- Zásuvky přívodu elektrického proudu musí být vhodné pro zástrčky elektrického nástroje. Nikdy zástrčku žádným způsobem neupravujte. Zástrčky adaptérů nepoužívejte s uzemněným (ukostřeným) elektrickým nářadím. Neupravené zástrčky a vhodné zásuvky snižují riziko úrazu elektrickým proudem.
- Vyhýbejte se tělesnému kontaktu s uzemněnými nebo ukostřenými povrchy, jako jsou potrubí, radiátory, kuchyňské sporáky a lednice. Je zde zvýšené riziko úrazu elektrickým proudem, je-li vaše tělo uzemněno.

\* Znění části „Všeobecné bezpečnostní výstrahy týkající se elektrického nástroje“ tohoto návodu je doslovně shodné se zněním uvedeným v příslušné normě UL/CSA 62841-1. Tato část obsahuje všeobecné bezpečnostní pokyny pro mnoho různých druhů elektrického nářadí. Ne každé preventivní opatření je vhodné pro všechno nářadí a některá nejsou vhodná pro toto nářadí.

- **Elektrické nářadí nevystavujte dešti nebo vlhkému prostředí.** Pokud se do elektrického nástroje dostane voda, zvýší se riziko úrazu elektrickým proudem.
- **S kabelem nezacházejte hrubě. Nikdy kabel nepoužívejte pro nošení, vytažení či vypořádání nástroje ze zásuvky.** Kabel chraňte před horkem, olejem, ostrými hranami nebo pohyblivými se částmi. Poškozené nebo zamotané kabely zvyšují nebezpečí úrazu elektrickým proudem.
- **Při práci s elektrickým nářadím ve venkovním prostředí používejte prodlužovací kabely vhodné pro venkovní použití.** Používání prodlužovacího kabelu vhodného pro venkovní použití snižuje riziko zasažení elektrickým proudem.
- **Při práci s elektrickým nářadím ve vlhkém místě musíte nevyhnutelně používat přívod elektrického proudu s proudovým chráničem (GFCI).** Použití proudového chrániče snižuje riziko úrazu elektrickým proudem.

## Osobní bezpečnost

- **Budte ostražití, věnujte pozornost prováděným činnostem a při práci s elektrickým nářadím používejte zdravý rozum.** Nepoužívejte elektrické nástroje, pokud jste unaveni nebo pod vlivem drog, alkoholu či léků. Stačí okamžik nepozornosti při používání tohoto nástroje a může dojít k závažné újmě na zdraví.
- **Používejte osobní ochranné pomůcky. Vždy noste ochranu očí.** Ochranné pomůcky, jako protiprachová maska, neklouzavá bezpečnostní obuv, ochranná přilba nebo ochrana sluchu, používané v příslušných podmínkách, snižují počet osobních zranění.
- **Zabraňte neúmyslnému spuštění nástroje. Než nářadí připojíte ke zdroji napájení nebo k bateriovému modulu a než budete nářadí zvedat nebo přenášet, zkontrolujte, zda je spínač ve VYPNUTÉ poloze.** Přenášením nářadí s prstem na spínači nebo připojováním elektrického nářadí ke zdroji proudu při ZAPNUTÉM spínači riskujete úraz.
- **Odstraňte jakýkoliv seřizovací či imbusový klíč předtím, než elektrické nářadí ZAPNETE.** Klíč, který zůstane připevněn k rotující části nástroje, může mít za následek zranění osob.
- **Nezacházejte příliš daleko. Správně se vždy postavte a udržujte rovnováhu.** To vám umožní lepší ovládání elektrického nářadí v neočekávaných situacích.
- **Správně se oblékejte. Nenoste volný oděv nebo přívěsky.** Chraňte vlasy, oděv a rukavice před přiblížením k částem, které se otáčejí. Volný oděv, přívěsky nebo dlouhé vlasy mohou být otáčejícími se součástmi zachyceny.
- **Pokud jsou součástí zařízení pro připojení k zachycení prachu a pro další sběr, ujistěte se, že jsou připojena a používána správně.** Použití zařízení na zachycování prachu může snížit rizika spojená s prachem.
- **Nedovolte, aby vám obeznámenost s nástrojem získaná jeho častým používáním dovolila ignorovat zásady bezpečné práce s nástrojem.** Neopatrná činnost může způsobit vážná zranění během zlomku sekundy.

## Používání a údržba elektrického nářadí

- **Elektrické nářadí nepřetěžujte. Pro daný účel použijte správné elektrické nářadí.** Správné elektrické nářadí vám poslouží lépe a bezpečněji, pokud je použito takovým způsobem, ke kterému je navrženo.
- **Nepoužívejte elektrické nářadí, pokud jej nelze vypínačem ZAPNOUT a VYPNOUT.** Každé elektrické nářadí, které nelze ovládat spínačem, je nebezpečné a musí být opraveno.
- **Před seřizováním, výměnou příslušenství nebo ukládáním odpojte zástrčku elektrického nářadí od zdroje proudu nebo vyndejte bateriový modul.** Tato preventivní bezpečnostní opatření snižují riziko náhodného spuštění elektrického nástroje.
- **Elektrické nářadí, s kterým nepracujete, ukládejte z dosahu dětí a nedovolte pracovat s elektrickým nářadím osobám, které s ním nebo s tímto návodem nejsou obeznámeny.** Elektrické nástroje jsou v rukou neproškolených uživatelů nebezpečné.
- **Provádějte údržbu elektrického nářadí. Zkontrolujte souosost a spojení pohyblivých částí, zda součásti nejsou popraskané nebo nevykazují nějaký jiný stav, který může ovlivnit funkci elektrického nářadí. Pokud je poškozený, nechte elektrický nástroj před použitím opravit.** Mnoho úrazů je zapříčiněno špatně udržovanými elektrickými nástroji.
- **Řezací nástroje musejí být ostré a čisté.** Řádně udržované řezné nástroje s ostrými břity jsou méně náchylné k zadření a jdou snadněji ovládat.
- **Elektrické nářadí, příslušenství a koncovky nářadí apod. používejte v souladu s tímto návodem a berte v úvahu pracovní podmínky a vykonávanou práci.** Používání elektrického nářadí na práce, pro které není určeno, by mohlo zavinit nebezpečnou situaci.
- **Rukojeti a madla udržujte suchá, čistá a prostá oleje a mastnoty.** Kluzká držadla a madla neumožňují bezpečné zacházení a ovládání nástroje v neočekávaných situacích.

## Používání a údržba bateriového nástroje

- **Nabíjejte pouze nabíječkou specifikovanou výrobcem.** Nabíječka, která je vhodná pro jeden typ bateriového modulu, může představovat riziko požáru při nabíjení jiného bateriového modulu.
- **Používejte elektrické nástroje pouze s přesně určenými bateriovými moduly.** Používání jiného bateriového modulu může mít za následek úraz nebo požár.
- **Když bateriový modul nepoužíváte, neukládejte jej do blízkosti kovových předmětů, jako jsou sponky na papír, mince, klíče, hřebíky, šrouby nebo jiné kovové předměty, které mohou spojit jeden pól s druhým.** Zkratování pólů baterie může způsobit popálení nebo požár.
- **Při nevhodných podmínkách se z baterie může uvolnit tekutina; vyvarujte se kontaktu. Pokud ke kontaktu dojde, opláchněte postižené místo proudem vody. Pokud se kapalina dostane do očí, vyhledejte navíc lékařskou pomoc.** Z baterie uvolněná kapalina může způsobit podráždění nebo popálení.
- **Nepoužívejte bateriový modul nebo nástroj, který je poškozený nebo upravený.** Poškozené nebo upravené baterie mohou vykazovat nepředvídatelné chování mající za následek požár, výbuch nebo možnou újmu na zdraví.
- **Nevystavujte bateriový modul nebo nástroj ohni nebo nadměrným teplotám.** Vystavení ohni nebo teplotám nad 265 °F (130 °C) může způsobit výbuch.
- **Řiďte se pokyny pro nabíjení a nenabíjejte bateriový modul nebo nástroj mimo teplotní rozsah uvedený v pokynech.** Nesprávné nabíjení nebo při venkovních teplotách mimo specifikovaný rozsah může baterii poškodit nebo zvýšit riziko požáru.

## Servis

- **Servis elektrického nástroje si nechte provést kvalifikovaným opravářem, který použije pouze shodné náhradní díly.** To zaručí, že bezpečnost elektrického nářadí zůstane zachována.

## Specifické informace o bezpečnosti

### ▲ VÝSTRAHA

**Tento odstavec obsahuje důležité bezpečnostní informace specifické pro tento nástroj.**

**Pečlivě si tato bezpečnostní opatření přečtěte dřív, než začnete lisovací nástroje používat, abyste snížili riziko úrazu elektrickým proudem nebo jiného vážného osobního poranění.**

## VŠECHNA VAROVÁNÍ A POKYNY UCHOVEJTE PRO PŘÍŠTÍ POUŽITÍ!

Přenosné pouzdro nástroje je vybaveno držákem návodu, do kterého je možné umístit tento návod, aby ho mohla použít obsluha nástroje.

## Bezpečnost lisovací nástroje

- **Během lisovacího cyklu držte prsty a ruce mimo lisovací nástavec.** Mohlo by dojít k rozdrácení, zlomení či amputaci vašich prstů či rukou, pokud by se zachytily mezi nástavec nebo tyto komponenty a jakékoliv další předměty.
- **Nikdy se nepokoušejte opravovat poškozené lisovací nástavce (čelisti, lisovací kroužek, pohon, atd.). Zlikvidujte celý poškozený nástavec.** Nástavec, který byl jakýmkoliv způsobem svařován, pilován, broušen, vrtán či pozměněn, se může během lisování roztříštit a způsobit vážná zranění. Pokud nevyměníte celý lisovací nástavec, může to vést k závadě součásti a vážnému zranění.
- **Během použití dochází k vyvíjení velkých sil, které mohou odlomit nebo odmrštit různé části a způsobit tak zranění.** Během provozu stůjte mimo dosah nástroje a vždy používejte vhodné osobní ochranné prostředky včetně ochrany očí.
- **Používejte pouze lisovací nástroje značky RIDGID® s vhodnými lisovacími nástavci značky RIDGID (čelisti, lisovací kroužek, pohon, atd.).** Jiná použití nebo úpravy lisovacích nástrojů mohou vést k poškození lisovacího nářadí nebo jeho nástavců či k úrazu osob.
- **Používejte správný nástroj, nástavec a kombinaci armatur.** Nesprávné kombinace mohou způsobit nekompletní spoje, které zvyšují riziko úniků, poškození vybavení a zranění.
- **Před použitím lisovacího nástroje značky RIDGID® si přečtěte a ujistěte se, že rozumíte:**
  - Tomuto návodu k použití
  - Pokynům k nástavcům
  - Návodu k použití baterie/nabíječky
  - Pokynům k instalaci výrobce armatury
  - Pokynům jakéhokoliv dalšího vybavení nebo materiálu používaného s tímto nástrojem

Nedodržování všech těchto pokynů a varování může mít za následek škody na majetku nebo vážná zranění osob.

## Kontaktní informace RIDGID®

Pokud máte nějaké dotazy týkající se tohoto výrobku firmy RIDGID®:

- Obraťte se na svého místního prodejce výrobků RIDGID.
- Navštivte RIDGID.com a vyhledejte vaše místní kontaktní místo pro výrobky RIDGID.
- Kontaktujte technické oddělení společnosti Ridge Tool na [rttechservices@emerson.com](mailto:rttechservices@emerson.com) nebo v USA a Kanadě zavolejte na číslo (800) 519-3456.

## Popis

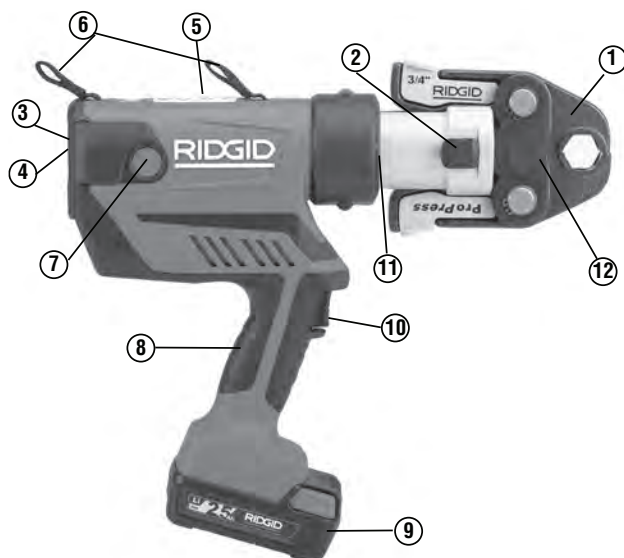
Lisovací nástroje RIDGID® RP 350 a RP 351 jsou při použití s vhodnými nástavci navrženy k mechanickému lisování armatur na trubky za účelem vytvoření vodotěsného a trvalého utěsnění, jako např. při instalatérských, topenářských, klimatiizačních nebo chladírenských aplikacích. Také jsou k dispozici nástavce pro ostatní použití.

Při stisknutí provozního spínače na lisovacím nástroji vnitřní elektrický motor pohání hydraulické čerpadlo, které dodává kapalinu do válce nástroje, který hýbe pístem vpřed a vyvíjí sílu na nástavec, kterým se lisuje armatura. Lisovací cyklus zabere přibližně 4 sekundy. Jakmile cyklus začne s formováním armatury, bude automaticky pokračovat až do konce, i když uvolníte provozní spínač.

Tento nástroj je vybaven druhým provozním režimem („kontrolním režimem“), který lze aktivovat pomocí aplikace RIDGID Link. Kontrolní režim umožňuje záběr armatury před vlastním lisováním, aby se umožnilo potvrzení správného vyrovnání nástavce, armatury a trubky.

Stavová kontrolka nástroje signalizuje věci jako stav nástroje, stav akumulátoru, požadovanou údržbu nebo nesprávnou teplotu. Pracovní světlo se rozsvítí, když stisknete provozní spínač k osvětlení pracovní plochy. Hlavu lze otáčet o 360° pro lepší přístup do stísněných prostor.

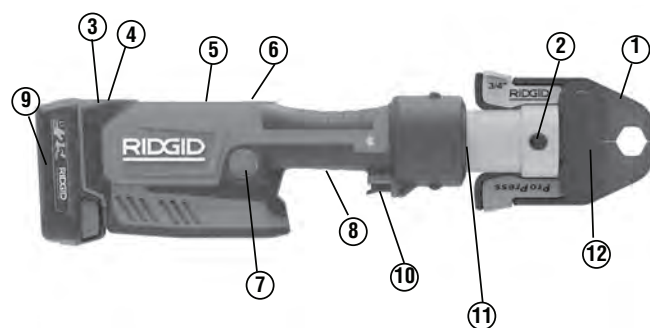
Tyto nástroje se dodávají s oky na popruh, které lze použít spolu s vhodným vybavením, jako jsou ramenní popruhy nebo odvazovací šňůry na zavěšení.



**Obrázek 1 – Lisovací nástroj RIDGID RP 350 a čelisti standardní řady**

Lisovací nástroje zahrnují bezdrátovou technologii Bluetooth®, která umožňuje připojení k chytrým telefonům a tabletům. Podrobnosti viz část „Funkce Bluetooth (bezdrátový přenos dat)“.

\* Slovní spojení a logo Bluetooth® představují registrované obchodní značky vlastněné společností Bluetooth SIG, Inc., a jakékoliv užití těchto značek společností Emerson Electric Co. podléhá uděleným licenčním podmínkám. Ostatní obchodní značky a obchodní názvy jsou ve vlastnictví jejich příslušných vlastníků.



**Obrázek 2 – Lisovací nástroj RIDGID RP 351 a čelisti standardní řady**

#	Popis	
1	Sada nůžkových čelistí	7 Tlačítko uvolnění tlaku (RP 351 vzdálenější strana)
2	Upínací čep nástavce	8 Držadlo
3	Stavové kontrolky nástroje	9 Baterie
4	Vypínač ZAP/VYP	10 Spouštěcí spínač
5	Výstražný štítek (RP 351 spodní strana)	11 Pracovní LED světlo
6	Textilní oko	12 Boční plech čelistí

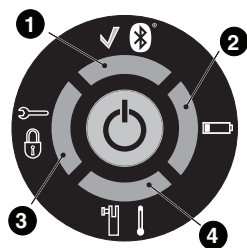




Obrázek 3 – Sériové číslo nástroje - Zakroužkované číslice představují rok a měsíc výroby. (YY = rok, MM = měsíc).

Ovládání	Značení	Popis
Vypínač Zap/Vyp		Hlavní napájecí vypínač nástroje. (I = ZAP, O = VYP). ZAP: Stiskněte tlačítko, dokud se NEROZSVÍTÍ kontrolka. Viz Obrázek 5 – Stavové kontrolky nástroje. VYP: Stiskněte tlačítko, dokud kontrolka NEZHASNE. Nástroj se automaticky VYPNE, pokud je ponechán bez použití po dobu deseti (10) minut.
Spouštěcí spínač	—	<b>Zapnutí pracovního světla:</b> lehce stiskněte provozní spínač. <b>Normální režim:</b> Stiskněte provozní spínač, aby se nastartoval lisovací cyklus, a uvolněte jej, když se nástroj zajistí. Normální režim je nastaven z výroby. <b>Kontrolní režim:</b> Stiskněte provozní spínač, aby se nástavec zajistil na opracovávaném kusu. Dle potřeby proveďte úpravy. Stiskněte opět provozní spínač, aby se nastartoval lisovací cyklus, a uvolněte jej, když se nástroj zajistí. Uvolněním spínače nástroj nezastavíte, jakmile se zajistil. Tím se zajišťuje konzistentní, opakovatelná celistvost lisovaného spoje. Režim lze změnit pomocí aplikace RIDGID Link, viz část <i>Funkce Bluetooth</i> .
Tlačítko uvolnění tlaku		Umožňuje uvolnění nástroje bez dokončení lisování. Pokud tuto funkci použijete, lisovaný spoj nebude úplný a lisování je nutné provést znovu.
Upínací čep nástavce	—	Drží nástavec na nástroji. Je nutné jej plně zasunout, aby mohl nástroj fungovat. Viz Obrázek 6.

Obrázek 4 – Tabulka ovládání



Číslo segmentu kontrolky (Světlo trvale zapnuto)				Popis
1 ✓ Bluetooth	2 [Battery]	3 [Lock]	4 [Plug/Bar]	
—	—	—	—	Lisovací nástroj vypnutý (VYP).
Zelená	Zelená	Zelená	Zelená	Stisknuté tlačítko ZAP, svítí 4 sekundy při startu, nástroj v „normálním režimu“.
Modrá	Modrá	Modrá	Modrá	Stisknuté tlačítko ZAP, svítí 4 sekundy při startu, nástroj v „kontrolním režimu“ - pro změnu režimu viz část <i>Funkce Bluetooth</i> .
Zelená	—	—	—	Lisovací nástroj je v normálním režimu, v pohotovosti, lisovací nástroj je připraven k provozu.
Červená	Žlutá	Žlutá	Žlutá	Nástroj se porouchal. Nástroje nebude pracovat. Vyměňte a vložte zpátky akumulátor nebo AC adaptér. Pokud kontrolka stále svítí, dejte nástroj do servisu.
Červená	—	—	—	Nástroj se porouchal. Nástroje nebude pracovat. Vyměňte a vložte zpátky akumulátor nebo AC adaptér. Pokud červená kontrolka stále svítí, dejte nástroj do servisu.
Žlutá	—	Červená	Červená	Nástroj a/nebo akumulátor se nachází mimo specifický teplotní rozsah. Nástroje nebude pracovat. Přeneste nástroj a akumulátor do správného rozsahu provozní teploty.
Žlutá	—	—	Červená	Upínací čep nástavce není plně zasunutý. Nástroje nebude pracovat. Plně zasuňte čep. Pokud kontrolky stále svítí, dejte nástroj do servisu.
Žlutá	Červená	—	—	Baterie jsou slabé. Nástroje nebude pracovat. Dobijte akumulátor/vložte plně nabitý akumulátor.
Zelená	Modrá	Modrá	Modrá	Bluetooth spojení navázáno, v pohotovosti, lisovací nástroj je připraven k provozu - pro další informace viz část o <i>Bluetooth funkcích</i> .
		Fialová		Probíhá aktualizace firmware, nástroj nelze během aktualizace používat.

Obrázek 5 – Stavové kontrolky nástroje

## Specifikace

	<b>Pistolový lisovací nástroj RP 350</b>	<b>Řadový lisovací nástroj RP 351</b>
Nástavce.....	Standardní série RIDGID	Standardní série RIDGID
Délka záběru.....	1.57" (40 mm)	1.57" (40 mm)
Motor		
Napětí.....	18 V DC jmenovité	18 V DC jmenovité
Proud.....	23 A	23 A
Výkon.....	480 W	480 W
Síla pístu.....	7,200 lbs. (32 kN)	7,200 lbs. (32 kN)
Otáčení hlavy.....	360°	360°
Pracovní cyklus.....	3 pracovní cykly ☒/min	3 pracovní cykly ☒/min
Napájení.....	Lithium-iontový bateriový modul RIDGID řady RB-18XX 18 V nebo napájecí adaptér RIDGID RPA 120/220 AC ( <i>Viz část Volitelné vybavení</i> )	
Dosah Bluetooth.....	33 ft. (10 m)	33 ft. (10 m)
Přípustná vlhkost.....	maximálně 80%	maximálně 80%
Rozsah provozních teplot.....	15° F až 122° F (-10° C až 50° C)	15° F až 122° F (-10° C až 50° C)
Skladovací teplota.....	32° F až 113° F (0° C až 45° C)	32° F až 113° F (0° C až 45° C)

Hmotnost (bez akumulátoru/nástavce)....	7.83 lbs (3,55 kg)	7.83 lbs (3,55 kg)
Rozměry.....	11.3" x 11.0" x 3.1" 287 mm x 279 mm x 77 mm	15.7" x 4.65" x 3.1" 398 mm x 118 mm x 77 mm
Hladina akustického tlaku (L <sub>PA</sub> )* .....	<74,5 dB(A), K=3 dB(A)	<74,5 dB(A), K=3 dB(A)
Akustický výkon (L <sub>WA</sub> )* .....	XX dB(A), K=TBD	XX dB(A), K=TBD
Vibrace* .....	<1,13 m/s <sup>2</sup> , K=1,5	<1,13 m/s <sup>2</sup> , K=1,5

\* Měření zvuku a vibrací probíhá v souladu se standardizovaným testem dle normy EN 62481-1.

- Úrovně vibrací lze použít pro srovnání s ostatními nástroji a pro předběžné vyhodnocení vlivu vystavení.

- Emise zvuků a vibrací se mohou měnit v závislosti na vaší lokaci a specifickém použití těchto nástrojů.

- U každé aplikace je nutné zhodnotit denní vystavení hlasitým zvukům a vibracím a v případě potřeby provést vhodná bezpečnostní opatření. Vyhodnocení úrovně vystavení by mělo brát v úvahu dobu, po kterou je nástroj vypnutý a nepoužívá se. Tento faktor může zásadně snížit úroveň vystavení během celé pracovní doby.

## Standardní vybavení

Ohledně podrobností o vybavení dodávaným se specifickým katalogovým číslem nástroje viz katalog RIDGID.

**POZNÁMKA!** Lisovací nástroje a nástavce RIDGID se nabízejí ve dvou „řadách“

- Standardní řada
- Kompaktní řada

Tyto řady nástavců nelze zaměňovat. Nástavce standardní řady budou fungovat pouze s nástroji standardní řady (RP 350, RP 351, RP 342-XL, RP 340, RP 330, 320-E, CT-400). Nástavce kompaktní řady budou fungovat pouze s nástroji kompaktní řady (RP 240, RP 241, RP 200, RP 210, 100B).

**POZNÁMKA** Za volbu vhodných materiálů a spojů je zodpovědný architekt nebo montér systému. Před pokusem o jakoukoliv instalaci by se mělo provést pečlivé zvážení specifického místa výkonu práce, včetně zhodnocení servisní teploty a chemického prostředí. Ohledně údajů o volbě se obraťte na výrobce systému lisované armatury.

## Kontrola před zahájením práce

### ⚠ VÝSTRAHA



**Denně zkontrolujte před použitím lisovací nástroj a vyřešte veškeré problémy, abyste snížili nebezpečí vážného úrazu elektrickým proudem, rozdrčením, selháním nástavce či způsobeného jinými příčinami a zabránili poškození nástroje.**

1. VYPNĚTE nástroj a odpojte akumulátor/AC adaptér z nástroje.
2. Z vybavení, obzvláště pak z držadel a ovládacích prvků, odstraňte veškeré stopy oleje, mastnoty či nečistot. Pomůže to provádění kontroly a napomůže zabránit tomu, aby vám nástroj nebo ovládání vyklouzlo z rukou.

### 3. U lisovacího nástroje zkontrolujte následující:

- Správnou montáž, údržbu a úplnost.
- Jakékoliv poškozené, opotřebované, chybějící, nesouosé nebo vážnou částí. Ujistěte se, že jsou oka na popruhy v dobrém stavu.
- Hladký pohyb upínacího čepu nástavce mezi plně otevřenou a plně zavřenou polohou. Čep by se měl zajistit v obou polohách. Ujistěte se, že se provozní spínač pohybuje volně a nevázne či se nezasekává.
- Přítomnost a čitelnost výstražného štítku (viz Obrázek 6).
- Všechny ostatní podmínky, které mohou zabránit bezpečnému a normálnímu chodu.

Lisovací nástroj nepoužívejte, dokud nejsou odstraněny všechny problémy.



Obrázek 6 – Stavové kontrolky/Výstražný štítek

4. Zkontrolujte a udržujte nástavce nástroje podle příslušných pokynů. Sundejte nástavec z nástroje. Ujistěte se, že jsou nástavce v dobrém stavu a mají jasně označené použití.
5. Zkontrolujte a proveďte údržbu veškerého dalšího používaného vybavení dle příslušných pokynů, abyste zajistili jeho správnou funkci.

## Nastavení a provoz

### ⚠ VÝSTRAHA



Během lisovacího cyklu držte prsty a ruce mimo nástavec nástroje. Mohlo by dojít k rozdrčení, zlomení či amputaci vašich prstů či rukou nástavcem, nástrojem, mezi nástrojem a nástavcem, zpracovávaným kusem a dalšími předměty.

Během použití dochází k vyvíjení velkých sil, které mohou odlomit nebo odmrštit různé části a způsobit tak zranění. Během provozu stůjte mimo dosah nástroje a vždy používejte vhodné osobní ochranné prostředky včetně ochrany očí.

Používejte správný nástroj, nástavec a kombinaci armatur. Nesprávné kombinace mohou způsobit nekompletní lisování spojů, což zvyšuje riziko úniků, poškození vybavení a zranění.

**Řiďte s částmi Nastavení a Provoz, abyste snížili nebezpečí úrazu rozdrčením či úrazu z jiných příčin a zabránili poškození nástroje.**

1. Zajistěte vhodné místo výkonu (viz *Všeobecné bezpečnostní výstrahy týkající se elektrického nářadí*). Pracujte na volném, rovném, stabilním a suchém místě. Nepoužívejte nástroj, pokud stojíte ve vodě.
2. Zkontrolujte vykonávanou práci a zvolte správný nástroj RIDGID a nástavec RIDGID podle specifikací daného úkolu. Použití nesprávného vybavení může u daného úkolu způsobit poranění osob, poškození nástroje a vytvoření neúplných spojů.
3. Ujistěte se, že bylo všechno vybavení zkontrolováno a nastaveno dle příslušných pokynů.

### Demontáž/montáž nástavce

1. VYPNĚTE nástroj a odpojte akumulátor/AC adaptér z nástroje.
2. Plně otevřete upínací čep. Odstraňte/vložte vhodný nástavec (Obrázek 7).
3. Plně uzavřete upínací čep nástavce, dokud se nezajistí v uzavřené poloze. Upínací čep nástavce musí být plně uzavřený, aby se zabránilo poškození nástroje během jeho používání. Stavové kontrolky nástroje budou svítit na znamení, viz *Obrázek 5 ohledně Stavových kontrolky nástroje*.

**POZNÁMKA!** Nástroj nepoužívejte bez nástavce na svém místě, jelikož to může nástroj poškodit.



Obrázek 7 – Upínací čep nástavce

### Příprava spoje

**POZNÁMKA** Tyto pokyny představují všeobecné úkony pro několik typů nástavců lisovacího nástroje. Vždy se řiďte specifickými pokyny nástavce lisovacího nástroje, který používáte, a specifickými pokyny k instalaci výrobce armatury, abyste snížili riziko nesprávného lisovaného spoje a nadměrných škod na majetku.

1. Lisovaný spoj připravte v souladu s pokyny výrobce armatury.
2. Suchýma rukama zapojte plně nabitý akumulátor nebo AC adaptér do nástroje. Pokud používáte šňůrový napájecí adaptér s proudovou ochranou (GFCI), musí mít tato proudová ochrana zbytkový jmenovitý proud 30 mA nebo méně. Jedním stisknutím tlačítka ZAP/VYP zapněte nástroj. Všechny LED by měly svítit zeleně na znamení, že je nástroj připravený k použití. Viz *Obrázek 5 – Stavové kontrolky nástroje pro jakékoliv další kontrolky*.

## Lisování armatury pomocí typických nůžkových čelistí

1. Uchopte řádně nástroj oběma rukama.

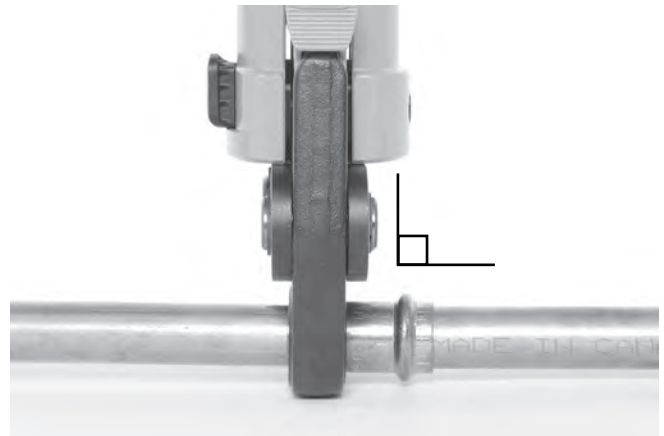


Obrázek 8 – Držení nástroje

2. Stiskněte ramena čelistí k jejich otevření.
3. Umístěte otevřené čelisti kolem armatury (Obrázek 9). Řádně vyrovnejte lisovací profil čelistí s obrysem armatury, jak je uvedeno v instalačních pokynech výrobce armatury. Uvolněte ramena čelistí k jejich uzavření okolo armatury. Nevěšzte sadu čelistí za armaturu. Nástroj by mohl neočekávaně spadnout a způsobit vážné zranění nebo smrt.



Obrázek 9 – Umístění nůžkových čelistí kolem armatury



Obrázek 10 – Čelisti kolmo na armaturu

4. Ujistěte se, že je čelist správně umístěna rovně na armaturu (Obrázek 10). Prsty a ruce držte mimo dosah čelistí, abyste zabránili zranění rozdrcením v čelistech nebo mezi čelistmi a okolím.

**Normální režim:** Stiskněte provozní spínač (Obrázky 1 a 2). Jakmile se spustí cyklus nástroje a válečky přijdou do styku s rameny čelistí, nástroj se zajistí a automaticky dokončí pracovní cyklus. Uvolněním spínače nástroj nezastavíte, jakmile se zajistil. Tím se zajišťuje konzistentní, opakovatelná celistvost lisovaného spoje.

**Kontrolní režim:** Stiskněte provozní spínač (Obrázky 1 a 2). Čelisti se přitisknou na armaturu, ale nedojde k vytvoření lisovaného spoje. Dle potřeby proveďte úpravy. Opětovným stisknutím provozního spínače se nástroj zajistí a automaticky dokončí pracovní cyklus. Uvolněním spínače nástroj nezastavíte, jakmile se zajistil. Tím se zajišťuje konzistentní, opakovatelná celistvost lisovaného spoje.

Pokud je nutné nástroj odstranit, než dojde k dokončení lisovaného spoje, stiskněte tlačítko uvolnění tlaku (Obrázek 1 a 2).

**POZNÁMKA** Kdykoliv stisknete uvolňovací tlačítko, lisovaný spoj NEBYL dokončen a lisování armatury je nutné provést znovu, aby se zajistila jeho úplnost. Pokud nástroj během provozu selže, použijte tento postup.

5. Uvolněte provozní spínač.
6. Stiskněte ramena čelistí k jejich otevření.
7. Sejměte čelisti z armatury. Vyvarujete se ostrých hran, které se mohly vytvořit na armatuře během lisování.
8. Po dokončení operace jednou stiskněte tlačítko ZAP/VYP k VYPNUTÍ nástroje. Odpojte z nástroje akumulátor nebo AC adaptér.



## Lisování armatury pomocí typického pohonu a sady lisovacího kroužku

1. Otevřete kroužek a umístěte jej kolem armatury. Řádně vyrovnejte lisovací profil kroužku s obrysem armatury, jak je uvedeno v *instalačních pokynech výrobce armatury*. Uvolněte kroužek, aby se uzavřel kolem armatury (Obrázek 11).
2. Ujistěte se, že je v nástroji správně nainstalován pohon. Stiskněte ramena pohonu, aby se otevřely jeho špičky. Vyrovnejte špičky pohonu se sedly kroužku. Uvolněte ramena pohonu a plně zavedte špičky pohonu do sedel kroužku (Obrázek 12). Špatné vyrovnání špičky pohonu na sedlo kroužku může poškodit kroužek nebo pohon během lisování. Nezavěšujte nástroj a pohon za lisovací kroužek. Nástroj by mohl neočekávaně spadnout a způsobit vážné zranění nebo smrt.



Obrázek 11 – Instalace lisovacího kroužku na armaturu



Obrázek 12 – Připojení pohonu k lisovacímu kroužku

3. Ujistěte se, že je kroužek správně umístěn rovně na armaturu. Prsty a ruce držte mimo dosah pohonu a kroužku, abyste zabránili zranění rozdrcením v armatuře nebo mezi nástavcem a okolím.

**Normální režim:** Stiskněte provozní spínač (Obrázky 1 a 2). Jakmile se spustí cyklus nástroje a válečky přijdou do styku s rameny čelistí, nástroj se zajistí a automaticky dokončí pracovní cyklus. Uvolněním spínače nástroj nezastavíte, jakmile se zajistil. Tím se zajišťuje konzistentní, opakovatelná celistvost lisovaného spoje.

**Kontrolní režim:** Stiskněte provozní spínač (Obrázky 1 a 2). Čelisti se přitisknou na armaturu, ale nedojde k vytvoření lisovaného spoje. Dle potřeby proveďte úpravy. Opětovným stisknutím provozního spínače se nástroj zajistí a automaticky dokončí pracovní cyklus. Uvolněním spínače nástroj nezastavíte, jakmile se zajistil. Tím se zajišťuje konzistentní, opakovatelná celistvost lisovaného spoje.

4. Pokud je nutné nástroj odstranit, než dojde k dokončení lisovaného spoje, stiskněte tlačítko uvolnění tlaku (Obrázek 1 a 2).

**POZNÁMKA** Kdykoliv stisknete uvolňovací tlačítko, lisování NEBYLO dokončeno a lisování spoje je nutné provést znovu, aby se zajistila jeho úplnost. Pokud nástroj během provozu selže, použijte tento postup.

5. Uvolněte provozní spínač.
6. Stiskněte ramena pohonu k jeho otevření. Sejměte pohon z armatury.
7. Sejměte kroužek z armatury. Vyvarujte se ostrých hran, které se mohly vytvořit na armatuře během lisování.
8. Po dokončení operace jednou stiskněte tlačítko ZAP/VYP k VYPNUTÍ nástroje. Odpojte z nástroje akumulátor nebo AC adaptér.

## Kontrola lisovaného spoje

1. Zkontrolujte lisovanou armaturu na:
  - Plné zavedení trubky do armatury.
  - Nadměrnou odchylku vyrovnání trubek. Lehká odchylka vyrovnání v místě lisovaného spoje se považuje za normální.
  - Nesprávné vyrovnání nástavce s obrysem armatury. Ohnutá nebo deformovaná armatura.
  - Jakékoliv další problémy dle pokynů výrobce armatury. Ty mohou zahrnovat odstranění kontrolního kroužku nebo štítku (použitého k označení, že spoj ještě nebyl lisován).

Pokud zjistíte jakékoliv problémy, odstraňte armaturu a nainstalujte nový lisovaný spoj.

2. Zkontrolujte lisovaný spoj v souladu s pokyny výrobce konektoru, běžnými postupy a platnými předpisy.

## Funkce Bluetooth (bezdrátový přenos dat)

Lisovací nástroje RIDGID® RP 350 a RP 351 zahrnují bezdrátovou technologii Bluetooth®, která umožňuje bezdrátový přenos dat do příslušně vybavených chytrých telefonů nebo tabletů („zařízení“), které běží na operačním systému iOS nebo Android.

1. Stáhněte si příslušnou aplikaci RIDGID® Link do vašeho zařízení na webu RIDGID.com/apps nebo přes službu Google Play Store nebo Apple App Store.
2. Když je nástroj ZAPNUTÝ, zařízení vybavené bezdrátovou technologií Bluetooth může vyhledat a spárovat si lisovací nástroj. V nastavení Bluetooth ve vašem zařízení zvolte požadovaný nástroj RIDGID. Viz návod k vašemu zařízení ohledně specifických informací, jak se připojit pomocí bezdrátové technologie Bluetooth. Jakmile se připojíte, bude svítit zelená-modrá-modrá-modrá stavová kontrolka nástroje.

Po prvotním párování se většina zařízení automaticky spojí s nástroji, pokud je bezdrátová technologie Bluetooth aktivní a v dosahu, a pokud je k tomu nakonfigurováno nastavení zařízení. Lisovací nástroje by se měly nacházet ve vzdálenosti do 33 ft. (10 m) od zařízení, aby byly rozpoznány. Jakékoliv překážky mezi nástrojem a zařízením mohou snižovat provozní dosah.

3. Pro správné použití se řiďte pokyny dané aplikace. Provozní režim lze změnit pomocí aplikace. Aplikace také umožňuje monitorování pracovních cyklů nástroje.
4. Bezdrátový přenos dat se VYPNE, když VYPNETE lisovací nástroj. VYPNUTÍM Bluetooth bezdrátového zařízení snížíte zatížení akumulátoru zařízení.

## Provoz v chladném počasí

Jak klesá teplota, hydraulická kapalina houstne a snižuje se výkon akumulátoru. Aby se snížilo riziko nesprávného provozu, nástroje RP 350 a RP 351 nebudou fungovat mimo specifikovaný teplotní rozsah signalizovaný stavovými kontrolkami nástrojů (Obrázek 5).

Když jsou okolní podmínky mimo specifikovaný teplotní rozsah, uchovávejte nástroj a baterie v klimatizovaném prostoru, dokud nebudou připraveny k použití.

## Uskladnění

Odpojte z lisovacího nástroje akumulátor nebo AC adaptér. Lisovací nástroj a akumulátor skladujte v pouzdře. Vyhněte se skladování v extrémním horku či chladu. Nástroj se NEZAPNE, pokud se teploty nachází mimo specifikovaný rozsah. To je značeno stavovými kontrolkami nástroje. (Viz Obrázek 5)

**⚠ VÝSTRAHA** Nástroj uskladňujte na suchém, zajištěném, zamčeném místě mimo dosah dětí a osob, které nejsou seznámeny s použitím lisovacího nástroje. Nástroj je v rukou neproškolených uživatelů nebezpečný.

## Návod k údržbě

### ⚠ VÝSTRAHA

**Ujistěte se, že je nástroj VYPNUTÝ a akumulátor či AC adaptér vypojený z nástroje, než budete provádět údržbu nebo činit jakékoliv seřizování.**

### Čištění a mazání

1. Každý den zcela otřete nástroj čistým suchým hadrem.
2. Zkontrolujte upevňovací čep nástavce a v případě potřeby promažte čep silikonovým mazivem.
3. Při každém použití zkontrolujte vratné pružiny v nástavcích. Nástavce by se měly volně otevřít a zavřít pouhým středně silným dotekem prstu.

## Servis a opravy

### ⚠ VÝSTRAHA

**Po nevhodném servisním zásahu nebo opravě může být nástroj při práci nebezpečný.**

Servis a oprava lisovacích nástrojů RP 350 a RP 351 musí být prováděna nezávislým servisním střediskem společnosti RIDGID pro lisovací nástroje.

Pro informace o vašem nejbližším nezávislém autorizovaném servisním středisku RIDGID, nebo máte-li jakékoliv otázky týkající se servisu či oprav, viz část *Kontaktní údaje* v tomto návodu.

## Řešení problémů

PŘÍZNAKY	MOŽNÉ DŮVODY	ŘEŠENÍ
<b>Nástroj se NEZAPNE, když stiskne vypínač ZAP/VYP</b>	Baterie je zcela vybitá nebo selhala.	Vložte plně nabitou baterii nebo baterii dobijte.
	Baterie není správně vložená do držadla nástroje	Zkontrolujte, zda je baterie plně zasunutá.
	AC adaptér není správně zapojený do nástroje.	Zapojte správně AC adaptér do nástroje.
<b>Nástavec vážne na armatuře.</b>	Lisovaný spoj nebyl úspěšně dokončen.	Stiskněte tlačítko uvolnění tlaku, abyste odstranili čelisti z armatury. Zkontrolujte a proveďte znovu lisování.
<b>Vytvořené lisované spoje jsou neúplné.</b>	Byla použita nesprávná čelist s ohledem na velikost trubky nebo materiál.	Namontujte správný nástavec.
	Nástroj nebyl umístěn kolmo na trubku.	Zopakujte lisování spoje s novou armaturou a novou trubkou. Ujistěte se, že je nástroj rovně na trubce.
	Lisovací obrys nástavce nebyl vyrovnán s obrysem armatury.	Zopakujte lisování spoje s novou trubkou a novou armaturou. Ujistěte se, že je lisovací obrys nástavce vyrovnaný s obrysem armatury.
	Nástroj je zapotřebí opravit.	Dejte nástroj do servisu.
<b>Z nástroje uniká olej.</b>	Problém s těsněním nebo mechanismem.	
<b>Motor pracuje, ale nástroj nedokončí cyklus.</b>	Nízká hladina oleje.	Dejte nástroj do servisu.
<b>Nástroj se zastaví během chodu.</b>	Nízká hladina oleje.	

**Viz Obrázek 5 – Stavové kontrolky nástroje**

## Volitelné vybavení

### ⚠ VÝSTRAHA

**Abyste snížili nebezpečí vážného úrazu, použijte pouze příslušenství speciálně určené a doporučené pro použití s lisovacími nástroji RP 350 a RP 351, které je uvedeno níže.**

### Bateriové a adaptérové moduly

Katalogové č.	Popis
56513	Lithium-iontová baterie RB-1825 18 V 2,5 Ah
56518	Lithium-iontová baterie RB-1850 18 V 5,0 Ah
44468	Napájecí adaptér 120 AC – Severní Amerika
43338	Napájecí adaptér 220 AC – Evropa
44823	Napájecí adaptér 120 AC – Čína

### Nabíječky a kabely

Katalogové č.		Oblast	Typ zástrčky
64383	RBC-30 Nabíječka	Severní Amerika	A
56523	RBC-30 Nabíječka	Evropa	C
64388	RBC-30 Nabíječka	Čína	A
64393	RBC-30 Nabíječka	Austrálie	I
64378	RBC-30 Nabíječka	Japonsko	A
64398	RBC-30 Nabíječka	Velká Británie	G
64173	Kabel nabíječky RBC-30	Severní Amerika	A
64183	Kabel nabíječky RBC-30	Evropa	C

Úplný seznam příslušenství RIDGID dostupného pro tyto nástroje naleznete v online katalogu společnosti Ridge Tool na RIDGID.com nebo v části *Kontaktní údaje*.

## Likvidace

Některé části tohoto přístroje obsahují cenné materiály, které lze recyklovat. Existují místní společnosti, které se na recyklování specializují, a které lze najít ve vaší oblasti. Likvidujte komponenty v souladu se všemi použitelnými předpisy. Pro získání dalších informací se spojte s místním úřadem pro nakládání s odpady.



**V zemích EU:** Elektrická zařízení nelikvidujte spolu s domácím odpadem!

Podle evropské směrnice 2012-19/EU o odpadech elektrických a elektronických zařízení a její implementace do národní legislativy, musí být elektrické zařízení, které je již nepoužitelné, sbíráno zvlášť a likvidováno pro životní prostředí vhodným způsobem.

## Elektromagnetická kompatibilita (EMC)

Termín elektromagnetická kompatibilita je použit k vyjádření schopnosti výrobku dobře fungovat v prostředí, kde se nacházejí elektromagnetická záření a elektrostatické výboje, aniž způsobí elektromagnetické rušení jiných zařízení.

**POZNÁMKA** Tyto nástroje splňují všechny použitelné standardy elektromagnetické kompatibility. Nelze však vyloučit jejich možnost vzájemného působení na jiné přístroje. Všechny normy týkající se elektromagnetické kompatibility, které byly testovány, jsou uvedeny v technické dokumentaci nástroje.

## Prohlášení FCC/ICES

Toto zařízení vyhovuje podmínkám uvedeným v Části 15 Pravidel FCC. Provoz zařízení je možný za následujících dvou podmínek:

1. Zařízení nesmí vyvolávat škodlivé rušení.
2. Zařízení musí vydržet přijímané rušení včetně rušení, které může vyvolávat nežádoucí provoz.

Úpravy, které nebyly výslovně schváleny touto společností, mohou zneplatnit uživatelské oprávnění provozovat toto vybavení.

Toto zařízení bylo testováno a vyhovuje omezením pro digitální zařízení třídy A podle části 15 Pravidel FCC. Tato omezení jsou stanovena tak, aby zajišťovala dostatečnou ochranu proti škodlivému rušení při provozu zařízení v komerčním prostředí. Zařízení generuje, používá a může vyzařovat energii o rádiové frekvenci a pokud není instalováno a používáno podle návodu k použití, může rušit rádiovou komunikaci. Provoz tohoto vybavení v obytných prostorách pravděpodobně povede ke škodlivému rušení, kdy uživatel bude muset vyřešit rušení na vlastní náklady.

Toto zařízení vyhovuje podmínkám uvedeným ve specifikacích třídy A kanadské normy ICES-003. *Viz štítek s prohlášením na nástroji.*



# RP 350/RP 351

## Lisovačky



### **⚠ VÝSTRAHA!**

Pred používaním tohto náradia si dôkladne prečítajte návod na obsluhu. Nepochopenie a nedodržanie pokynov uvedených v tomto návode na použitie môže viesť k úrazom elektrickým prúdom, požiaru a/alebo vážnym zraneniam osôb.

#### **Lisovačky RP 350/RP 351**

Do vyznačeného priestoru nižšie uveďte výrobné číslo a uchovajte výrobné číslo produktu uvedené na typovom štítku.

Výrobné č.

--	--

## Obsah

<b>Záznamový formulár pre výrobné číslo stroja</b> .....	207
<b>Bezpečnostné symboly/symboly</b> .....	209
<b>Všeobecné bezpečnostné výstrahy pre elektrické náradie</b> .....	209
Bezpečnosť na pracovisku.....	209
Elektrická bezpečnosť .....	209
Bezpečnosť osôb .....	210
Používanie a starostlivosť o elektrické náradie .....	210
Používanie akumulátorového náradia a starostlivosť oň.....	211
Servis .....	211
<b>Špecifické bezpečnostné informácie</b> .....	211
Bezpečnosť lisovačky.....	211
<b>Kontaktné informácie spoločnosti RIDGID®</b> .....	212
<b>Popis</b> .....	212
<b>Technické údaje</b> .....	214
Štandardné vybavenie .....	215
<b>Kontrola pred prevádzkou</b> .....	215
<b>Nastavenie a prevádzka</b> .....	216
Odstránenie/inštalácia nadstavca .....	216
Príprava spojenia .....	216
Stlačenie tvarovky pomocou typických nožnicových čelustí.....	217
Stlačenie tvarovky pomocou typického akčného člena a súpravy lisovacieho krúžka.....	218
Kontrola lisovaného spoja.....	218
Funkcie Bluetooth (bezdrôtový prenos dát) .....	219
Používanie v studenom počasí .....	219
<b>Skladovanie</b> .....	219
<b>Pokyny na údržbu</b> .....	219
Čistenie a mazanie .....	219
<b>Servis a opravy</b> .....	219
<b>Riešenie problémov</b> .....	220
<b>Voliteľné vybavenie</b> .....	221
<b>Likvidácia</b> .....	221
<b>Elektromagnetická kompatibilita (EMC)</b> .....	221
<b>Vyhlásenie FCC/ICES</b> .....	222
<b>Vyhlásenie ES o zhode</b> .....	Vnútri zadného obalu
<b>Doživotná záruka</b> .....	Zadný kryt

\*Preklad pôvodného návodu na použitie

## Bezpečnostné symboly/symboly

V tomto návode na použitie a na výrobku sú použité bezpečnostné symboly a výstražné hlásenia, ktoré slúžia ako upozornenie na dôležité bezpečnostné informácie. Táto časť má pomôcť lepšie porozumieť týmto výstražným hláseniam a symbolom.



Toto je symbol bezpečnostnej výstrahy. Označuje riziko možného poranenia osôb. Dodržaním všetkých bezpečnostných pokynov, ktoré sú uvedené pod týmto symbolom, môžete predísť možným poraneniam alebo úrazom s následkom smrti.



**NEBEZPEČENSTVO** NEBEZPEČENSTVO označuje nebezpečnú situáciu, ktorá bude mať za následok vážne alebo smrteľné poranenie, ak jej nepredídete.



**VÝSTRAHA** VÝSTRAHA označuje nebezpečnú situáciu, ktorá môže mať za následok vážne alebo smrteľné poranenie, ak jej nepredídete.



**UPOZORNENIE** UPOZORNENIE označuje nebezpečnú situáciu, ktorá môže mať za následok ľahké alebo stredne vážne poranenie, ak jej nepredídete.



**POZNÁMKA** POZNÁMKA označuje informácie, ktoré sa vzťahujú na ochranu majetku.



Tento symbol znamená, že pred používaním zariadenia je nevyhnutné dôkladne si prečítať návod na použitie. Tento návod na použitie obsahuje informácie dôležité pre bezpečnosť a správnu obsluhu zariadenia.



Tento symbol znamená, že používateľ musí počas manipulácie s týmto zariadením alebo počas jeho používania vždy používať okuliare s bočnými krytmi alebo bezpečnostné okuliare, aby tak znížil riziko poranenia očí.



Tento symbol označuje riziko pomliaždenia rúk, prstov alebo iných častí tela.



Tento symbol označuje riziko zásahu elektrickým prúdom.



Tento symbol znamená, že tento produkt je určený na používanie len vo vnútorných priestoroch.



Tento symbol znamená, že tento produkt je zariadenie triedy II.



Tento symbol znamená, že toto je elektrické zariadenie, ktoré by sa nemalo likvidovať spolu s komunálnym odpadom. *Pozrite si časť „Likvidácia“.*



Tento symbol znamená, že toto je elektrické zariadenie, ktoré spĺňa požiadavky platných smerníc ES.



Tento symbol uvádza rok výroby daného výrobku.

## Všeobecné bezpečnostné výstrahy pre elektrické náradie\*

### ⚠ VÝSTRAHA

**Prečítajte si všetky bezpečnostné výstrahy, pokyny, ilustrácie a špecifikácie dodané s týmto elektrickým náradím. Nedodržanie všetkých nižšie uvedených pokynov môže mať za následok zásah elektrickým prúdom, požiar a/alebo vážne poranenie.**

### USCHOVAJTE VŠETKY VÝSTRAHY A POKYNY PRE PRÍPADNÉ ĎALŠIE POUŽITIE!

Pojem „elektrické náradie“ používaný vo všetkých nasledujúcich výstrahách sa vzťahuje na elektrické náradie napájané zo siete (napájacou šnúrou) alebo na elektrické náradie napájané akumulátormi (bez napájacej šnúry).

### Bezpečnosť na pracovisku

- **Pracovisko udržiavajte čisté a dobre osvetlené.** Preplnené a tmavé miesta priťahujú nehody.

\*Text použitý v časti Všeobecné bezpečnostné výstrahy pre elektrické náradie tohto návodu je doslovný, ako to vyžaduje platná norma UL/CSA 62841-1. Táto časť obsahuje všeobecné bezpečnostné postupy pre mnohé rôzne typy elektrického náradia. Nie každé bezpečnostné opatrenie platí pre každé náradie a niektoré neplatia pre toto náradie.

- **Nepoužívajte elektrické náradie vo výbušnom prostredí, napríklad v prítomnosti horľavých tekutín, plynov alebo prachu.** Elektrické náradie vytvára iskry, ktoré môžu vznietiť prach alebo výpary.
- **Zabezpečte, aby boli deti a okolostojace osoby počas obsluhy elektrického náradia v dostatočnej vzdialenosti.** V prípade odpútania pozornosti by ste mohli stratiť kontrolu nad náradím.

### Elektrická bezpečnosť

- **Zástrčky elektrického náradia sa musia typovo zhodovať so zásuvkami. Nikdy a žiadnym spôsobom nemodifikujte elektrické zástrčky. Nepoužívajte žiadne adaptéry, ak používate uzemnené elektrické náradie.** Nezmenené zástrčky a zodpovedajúce elektrické zásuvky znížia riziko zasiahnutia elektrickým prúdom.
- **Vyhýbajte sa telesnému kontaktu s uzemnenými povrchmi, ako sú napríklad potrubia, radiátory, sporáky**

a **chladničky**. Ak je vaše telo uzemnené, hrozí zvýšené riziko zasiahnutia elektrickým prúdom.

- **Elektrické náradie nevystavujte dažďu ani vlhku.** Voda, ktorá vnikne do elektrického náradia, zvyšuje riziko zásahu elektrickým prúdom.
- **Nepoškodzujte napájací kábel. Nikdy nepoužívajte napájací kábel na držanie, ťahanie alebo odpájanie elektrického náradia z elektrickej siete. Šnúru chráňte pred horúčavou, olejom, ostrými hranami alebo pohybujúcimi sa časťami zariadenia.** Poškodené alebo zamotané káble zvyšujú riziko zasiahnutia elektrickým prúdom.
- **Ak pracujete s elektrickým náradím vo vonkajšom prostredí, používajte len také predlžovacie káble, ktoré sú vhodné na použitie vo vonkajšom prostredí.** Použitie predlžovacieho kábla určeného na použitie vo vonkajšom prostredí znižuje riziko zásahu elektrickým prúdom.
- **Ak je prevádzka elektrického náradia vo vlhkom prostredí nevyhnutná, použite prerušovač elektrického obvodu (GFCI) s uzemnenou prúdovou ochranou.** Použitie prerušovača GFCI znižuje riziko zásahu elektrickým prúdom.

## Bezpečnosť osôb

- **Pri práci s elektrickým náradím buďte pozorní, konajte uvážlivo a sústreďte sa vždy na to, čo práve robíte. Nepoužívajte elektrické náradie, ak ste unavení, pod vplyvom drog, alkoholu alebo liekov.** Chvílková nepozornosť pri práci s elektrickým náradím môže mať za následok vážne zranenie osôb.
- **Používajte osobné ochranné prostriedky. Vždy používajte ochranu očí.** Ochranné vybavenie, ako sú maska proti prachu, protišmyková obuv, ochranná prilba alebo chrániče sluchu, použité vo vhodných podmienkach znižujú nebezpečenstvo poškodenia zdravia.
- **Zabráňte neočakávanému spusteniu. Pred pripojením elektrického náradia k napájaciemu zdroju a/alebo batérii, zdvihnutím alebo nosením sa uistite, že prepínač je v polohe OFF (VYP).** Pri nosení elektrického náradia s prstom na spínači alebo pripojení elektrického náradia, ktoré má spínač v polohe ON (ZAP), k napätiu, je veľmi pravdepodobné, že dôjde k nehode.
- **Pred presunutím spínača elektrického náradia do polohy ON (ZAPNUTÉ) odstráňte všetky nastavovacie alebo francúzske kľúče.** Francúzsky kľúč alebo kľúč ponechaný na otáčajúcej sa časti elektrického náradia môže spôsobiť zranenie osôb.
- **Nenaťahujte sa príliš ďaleko. Stále udržiavajte pevný postoj a rovnováhu.** To umožňuje lepšie ovládanie elektrického náradia v neočakávaných situáciách.

- **Pri práci noste vhodný pracovný odev. Neobliekajte si voľné oblečenie a nenoste šperky. Vlasy a oblečenie a rukavice udržiavajte mimo dosahu pohyblivých častí.** Voľný odev, šperky alebo dlhé vlasy sa môžu zachytiť do pohyblivých častí.
- **Ak používate zariadenia na odsávanie a zhromažďovanie prachu, uistite sa, že sú pripojené a používané správne.** Použitie zariadenia na odsávanie prachu môže zmierniť riziko spojené s prašnosťou.
- **Nedovoľte, aby vás dobrá znalosť získaná častým používaním náradia viedla k ľahkovážnosti a ignorovaniu bezpečnostných princípov.** Nedbanlivý úkon môže spôsobiť závažné poranenie v zlomku sekundy.

## Používanie a starostlivosť o elektrické náradie

- **Elektrické náradie nepreťažujte. Použite správne elektrické náradie pre vašu aplikáciu.** Pomocou správneho elektrického náradia budete môcť vykonať požadovanú úlohu lepšie a bezpečnejšie rýchlosťou, pre ktorú je náradie skonštruované.
- **Nepoužívajte elektrické náradie, ak sa prepínač nedá prepnúť do polohy ON (ZAPNUTÉ) a OFF (VYPNUTÉ).** Akékoľvek elektrické náradie, ktoré nie je možné ovládať vypínačom, je nebezpečné a musí sa opraviť.
- **Pred vykonávaním nastavení elektrického náradia, výmenou príslušenstva alebo uskladnením elektrického náradia odpojte zástrčku od napájacieho zdroja a/alebo vyberte batériu z elektrického náradia.** Takéto preventívne bezpečnostné opatrenia znižujú riziko neočakávaného uvedenia elektrického náradia do prevádzky.
- **Nepoužívané elektrické náradie skladujte mimo dosahu detí a osôb, ktoré nie sú dostatočne oboznámené s týmto elektrickým náradím či týmto návodom na použitie náradia.** Používanie elektrického náradia neškolenými osobami je nebezpečné.
- **Vykonávajte riadnu údržbu elektrického náradia. Skontrolujte, či sú pohyblivé súčiastky náradia správne zarovnané, či sa nezasekávajú, či nie sú zlomené alebo inak poškodené, čo by mohlo ovplyvniť fungovanie elektrického náradia. Pred použitím elektrického náradia dajte poškodené súčiastky opraviť.** Príčinou mnohých úrazov býva nedostatočná údržba elektrického náradia.
- **Rezné nástroje udržiavajte ostré a čisté.** Starostlivo ošetrované rezné nástroje s ostrými hranami sa menej často zasekávajú a ľahšie sa ovládajú.

- **Elektrické náradie, príslušenstvo, nadstavce atď. používajte podľa tohto návodu na použitie, pričom zohľadnite konkrétne pracovné podmienky a prácu, ktorá sa má vykonať.** Používanie elektrického náradia na iné ako určené účely môže vyvolať nebezpečnú situáciu.
- **Rukoväte a uchopovacie povrchy udržiavajte suché, čisté a bez oleja a mazív.** Klzké rukoväte a uchopovacie povrchy neumožňujú bezpečnú manipuláciu a ovládanie náradia v neočakávaných situáciách.

### Používanie akumulátorového náradia a starostlivosť oň

- **Batériu nabíjajte len v nabíjačkách špecifikovaných výrobcom.** Ak sa nabíjačka vhodná pre jeden typ akumulátora použije s iným typom akumulátora, môže to predstavovať nebezpečenstvo požiaru.
- **Elektrické náradie používajte iba so špecifikovanými batériami.** Používanie iných akumulátorov môže mať za následok poranenie alebo vznik požiaru.
- **Keď batériu nepoužívate, zabezpečte, aby sa nemohla dostať do styku s inými kovovými predmetmi, ako sú kancelárske spony, mince, kľúče, klince, skrutky alebo iné drobné kovové predmety, ktoré by mohli spôsobiť skrat medzi svorkami batérie.** Skrat medzi svorkami akumulátora môže spôsobiť popálenie alebo požiar.
- **Pri neopatrnom zaobchádzaní môže z batérie uniknúť tekutina. Dávajte pozor, aby ste s ňou v takom prípade neprišli do kontaktu. V prípade náhodného kontaktu umyte postihnuté miesto vodou. Ak sa kvapalina z akumulátora dostane do očí, vyhľadajte aj lekársku pomoc.** Kvapalina vytečená z akumulátora môže spôsobiť podráždenie alebo popálenie.
- **Nepoužívajte batériu ani náradie, ktoré sú poškodené alebo upravené.** Poškodené alebo upravené batérie môžu prejavovať nepredvídateľné správanie, ktoré povedie k vzniku požiaru, výbuchu alebo riziku zranenia.
- **Batérie ani náradie nevystavujte pôsobeniu ohňa ani extrémnym teplotám.** Vystavenie ohňu alebo teploty vyššej ako 130 °C (265 °F) môže viesť k výbuchu.
- **Dodržiavajte všetky pokyny pre nabíjanie a batériu ani náradie nenabíjajte mimo teplotného rozsahu uvedeného v týchto pokynoch.** Nesprávne nabíjanie alebo nabíjanie mimo špecifikovaného teplotného rozsahu by mohlo batériu poškodiť a zvýšiť nebezpečenstvo vzniku požiaru.

### Servis

- **Elektrické náradie zverte do opravy iba kvalifikovanému odborníkovi a používajte iba originálne náhradné súčiastky.** Tým zaistíte bezpečnosť elektrického náradia.

## Špecifické bezpečnostné informácie

### ⚠ VÝSTRAHA

**Táto časť obsahuje dôležité bezpečnostné informácie, ktoré sú špecifické pre tento nástroj.**

**Pred použitím týchto lisovačiek si dôkladne prečítajte tieto bezpečnostné pokyny, aby sa znížilo riziko zasiahnutia elektrickým prúdom alebo iného vážneho zranenia osôb.**

### USCHOVAJTE VŠETKY VÝSTRAHY A POKYNY PRE PRÍPADNÉ ĎALŠIE POUŽITIE!

V puzdre na prenášanie náradia je priehradka určená na uchovávanie tohto návodu pri náradí pre potreby operátora.

### Bezpečnosť lisovačky

- **Počas lisovacieho cyklu sa nepribližujte prstami a rukami k lisovacím nadstavcom.** Ak dôjde k zachyteniu prstov alebo rúk medzi prvky nadstavca alebo medzi tieto komponenty a akýkoľvek iný predmet, môže dôjsť k ich pomliaždeniu, zlomeniu alebo amputácii.
- **Nikdy sa nepokúšajte opravovať poškodené lisovacie nadstavce (čeluste, lisovací krúžok, akčný člen atď.). Vyhodte celý poškodený nadstavec.** Nadstavec, ktorý sa zváral, brúsil, vrtal alebo akýmkoľvek spôsobom upraval, sa počas lisovania môže rozletieť a spôsobiť vážne zranenie. Pokiaľ sa nevymení celý lisovací nadstavec, môže dôjsť k zlyhaniu komponentu a vážnemu zraneniu.
- **Počas používania výrobku vznikajú veľké sily, v dôsledku ktorých môže dôjsť k zlomeniu alebo vymršteniu nejakej časti a k následnému zraneniu.** Počas používania nástroja dodržiavajte od neho dostatočnú vzdialenosť a vždy používajte vhodné ochranné prostriedky vrátane ochrany zraku.
- **Používajte len lisovačky RIDGID® s vhodnými či schválenými lisovacími nadstavcami RIDGID (čeluste, lisovacie krúžky, akčné členy atď.).** Iné použitia alebo úprava lisovačiek na iné aplikácie môžu poškodiť lisovačku, nadstavce a/alebo spôsobiť zranenie osôb.
- **Používajte správne kombinácie náradia, nadstavca a tvarovky.** Nesprávne kombinácie môžu viesť k neúplnému spoju, ktorý zvýši riziko únikov, poškodenia zariadenia a zranenia.
- **Pred použitím lisovačky RIDGID® si prečítajte a pochopte nasledovné:**
  - tento návod na použitie
  - pokyny týkajúce sa nadstavca
  - príručka pre batérie/nabíjačku



- návod výrobcu na inštaláciu tvarovky
- pokyny týkajúce sa akéhokoľvek iného vybavenia či materiálu používaného s týmto náradím

Nedodržanie všetkých pokynov a výstrah môže mať za následok poškodenie majetku a/alebo vážne zranenia.

## Kontaktné informácie spoločnosti RIDGID®

Ak máte akékoľvek otázky, ktoré súvisia s týmto výrobkom značky RIDGID®:

- Kontaktujte svojho miestneho distribútora RIDGID.
- Navštívte webovú stránku RIDGID.com, kde získate informácie o miestnom kontaktnom bode pre výrobky značky RIDGID.
- Kontaktujte oddelenie technických služieb spoločnosti Ridge Tool na e-mailovej adrese [rttechservices@emerson.com](mailto:rttechservices@emerson.com) alebo (v USA a Kanade) volajte na číslo (800) 519-3456.

## Popis

Lisovačky RIDGID® RP 350 a RP 351 sú spolu s príslušnými nastavkami určené na mechanické lisovanie tvaroviek na rúry s cieľom vytvorenia vodotesného a permanentného spoja, napr. pri inštalatérskych, kúrenárskych, klimatizačných a chladiarenských aplikáciách. Nastavce sú k dispozícii aj pre iné použitia.

Po stlačení spínača chodu na lisovačke vnútorný elektrický motor uvedie do činnosti hydraulické čerpadlo, ktoré odošle kvapalinu do valca náradia, čím sa posunie piest dopredu a vyvinie silu na nastavce s následným stlačením tvarovky. Lisovací cyklus trvá približne 4 sekundy. Keď cyklus začne deformovať tvarovku, automaticky bude pokračovať v procese až do jeho dokončenia, aj keď sa spínač chodu uvoľní.

Toto náradie zahŕňa aj druhý prevádzkový režim („režim ovládania“), ktorý sa dá zapnúť pomocou spojovacej aplikácie RIDGID Link. Režim ovládania umožňuje uchopenie tvarovky pred lisovaním, čo následne umožňuje overenie správneho zarovnania nastavca, tvarovky a rúrky.

Stavové indikátory náradia uvádzajú javy, ako sú stav náradia, stav batérie, požadovaná údržba alebo nesprávna teplota. Po stlačení spínača chodu sa rozsvieti pracovné svetlo na osvetlenie pracovnej oblasti. Hlavu je možné otočiť o 360° na získanie lepšieho prístupu v stiesnených priestoroch.

Toto náradie sa dodáva s textilnými pútkami, ktoré sa dajú použiť na vhodné upevnenie napríklad popruhu na rameno alebo na upínacie popruhy.



**Obrázok 1 – Lisovačka RIDGID RP 350 a čelusť štandardnej série**

Tieto lisovačky obsahujú bezdrôtovú technológiu Bluetooth®, vďaka ktorej sa môžu pripojiť k smartfónom a tabletom. *Podrobnosti nájdete v časti „Funkcie Bluetooth (bezdrôtový prenos dát)“.*

\* Slovná značka a logá Bluetooth® sú registrované ochranné známky spoločnosti Bluetooth SIG, inc a akékoľvek použitie takýchto značiek spoločnosťou Emerson Electric Co. podlieha licenčným podmienkam. Ostatné ochranné známky a obchodné názvy patria ich príslušným vlastníkom.



**Obrázok 2 – Lisovačka RIDGID RP 351 a čelusť štandardnej série**

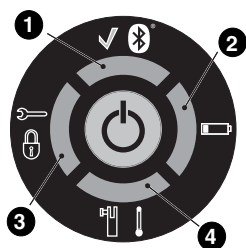
#	Popis		Popis
1	Nožnicová zostava čelustí	7	Tlačidlo uvoľnenia tlaku (zadná strana RP 351)
2	Montážny kolík nastavca	8	Rukoväť
3	Stavové indikátory náradia	9	Batéria
4	Hlavný vypínač	10	Spúšťací spínač
5	Výstražný štítok (RP 351 zospodu)	11	Pracovné svetlo LED
6	Textilné uško	12	Bočná doštička čelustí



Obrázok 3 – Výrobné číslo zariadenia - číslice v krúžku uvádzajú rok a mesiac výroby. (YY = rok, MM = mesiac).

Ovládací prvok	Označenie	Popis
Hlavný vypínač		Hlavný vypínač náradia. (I = ZAPNUTIE, O = VYPNUTIE). ZAPNUTIE: Podržte stlačené tlačidlo, kým sa nerozsvieti indikátor. <i>Pozri Obrázok 5 – Stavové indikátory náradia.</i> VYPNUTIE: Podržte stlačené tlačidlo dovtedy, kým nezhasne indikátor. Náradie sa automaticky vypne, ak sa ponechá nečinné na desať (10) minút.
Spúšťací spínač	—	<b>Zapnutie pracovného svetla:</b> Mierne stlačte spínač chodu. <b>Normálny režim:</b> Stlačením spínača chodu spustíte cyklus lisovania, uvoľnite ho, keď sa náradie uzamkne. Normálny režim je nastavenie z výroby. <b>Režim ovládania:</b> Stlačením spínača chodu založte nastavtec na obrobok. Podľa potreby vykonajte nastavenia. Opätovným stlačením spínača chodu spustíte cyklus lisovania, uvoľnite ho, keď sa náradie uzamkne. Uvoľnenie spínača nezastaví nástroj, keď sa raz uzamkol. Týmto sa zaistí konzistentná, opakovateľná celistvosť lisovaného spoja. Režim je možné zmeniť pomocou spojovacej aplikácie RIDGID Link, <i>pozri časť Funkcie Bluetooth.</i>
Tlačidlo uvoľnenia tlaku		Umožňuje uvoľniť náradie bez dokončenia stlačenia. Ak sa použije, lisovaný spoj sa nedokončí a bude sa musieť sa zopakovať.
Montážny kolík nastavca	—	Pridržiava nastavtec na náradí. Musí sa úplne vložiť, aby mohlo náradie fungovať. <i>Pozrite si Obrázok 6.</i>

Obrázok 4 – Tabuľka ovládacích prvkov



Číslo segmentu indikátora (Indikátor nepretržite svieti)				Popis
1	2	3	4	
—	—	—	—	Lisovačka je vypnutá (VYPNUTIE).
Zelená	Zelená	Zelená	Zelená	Stlačenie tlačidla zapnutia, svieti 4 sekundy pri spustení, náradie je v „normálnom režime“.
Modrý	Modrý	Modrý	Modrý	Stlačenie tlačidla zapnutia, svieti 4 sekundy pri spustení, náradie je v „režime ovládania“ - informácie o zmene režimu pozri časť <i>Funkcie Bluetooth</i> .
Zelená	—	—	—	Lisovačka je v normálnom režime, pohotovostnom režime, lisovačka je pripravená na činnosť.
Červená	Žltá	Žltá	Žltá	Náradie hlási poruchu. Náradie sa nespustí. Vyberte a znova vložte batériu alebo sieťový adaptér. Ak indikátor aj naďalej svieti, nechajte na náradí vykonať servis.
Červená	—	—	—	Náradie hlási poruchu. Náradie sa nespustí. Vyberte a znova vložte batériu alebo sieťový adaptér. Ak červený indikátor aj naďalej svieti, nechajte na náradí vykonať servis.
Žltá	—	Červená	Červená	Náradie a/alebo batéria sú mimo rozsahu teploty podľa technických parametrov. Náradie sa nespustí. Uvedte náradie a batériu do správneho prevádzkového teplotného rozsahu.
Žltá	—	—	Červená	Montážny kolík nastavca nezapadol úplne. Náradie sa nespustí. Úplne vložte kolík. Ak indikátory aj naďalej svietia, nechajte na náradí vykonať servis.
Žltá	Červená	—	—	Slabá batéria. Náradie sa nespustí. Nabite batériu/vložte úplne nabitú batériu.
Zelená	Modrý	Modrý	Modrý	Pripojenie prostredníctvom Bluetooth je zriadené, pohotovostný režim, lisovačka je pripravená na činnosť - ďalšie informácie pozri časť <i>Funkcie Bluetooth</i> .
		Fialový		Prebieha aktualizácia firmvéru, počas aktualizácie sa náradie nedá používať.

Obrázok 5 – Stavové indikátory náradia

## Technické údaje

	<b>Pišťolová lisovačka RP 350</b>	<b>Radová lisovačka RP 351</b>
Nadstavce.....	Štandardná séria RIDGID	Štandardná séria RIDGID
Dĺžka pohybu.....	1.57" (40 mm)	1.57" (40 mm)
Motor		
Napätie.....	menovitá hod. 18 V jednosm.	menovitá hod. 18 V jednosm.
Veľkosť prúdu.....	23 A	23 A
Výkon.....	480 W	480 W
Sila piesta.....	7 200 lbs. (32 kN)	7 200 lbs. (32 kN)
Otáčanie hlavy.....	360°	360°
Pracovný cyklus.....	3 stlačenia /min	3 stlačenia /min
Napájanie.....	Lítium-iónová 18 V batéria série RB-18XX RIDGID alebo sieťový napájací adaptér RIDGID RPA 120/220 AC (pozri časť <i>Voliteľná výbava</i> )	
Dosah Bluetooth.....	33 ft. (10 m)	33 ft. (10 m)
Prípustná vlhkosť.....	80 % maximálne	80 % maximálne

Rozsah prevádzkovej teploty.....	15° F až 122° F (-10° C až 50° C)	15° F až 122° F (-10° C až 50° C)
Teplota uskladnenia.....	32° F až 113° F (0° C až 45° C)	32° F až 113° F (0° C až 45° C)
Hmotnosť (bez batérie/nadstavca).....	7.83 lbs (3,55 kg)	7.83 lbs (3,55 kg)
Rozmery.....	11.3" x 11.0" x 3.1"	15.7" x 4.65" x 3.1"
	287 mm x 279 mm x 77 mm	398 mm x 118 mm x 77 mm
Akustický tlak (L <sub>PA</sub> )*.....	<74,5 dB(A), K = 3 dB(A)	<74,5 dB(A), K = 3 dB(A)
Vibrácie*.....	<1,13 m/s <sup>2</sup> , K = 1,5	<1,13 m/s <sup>2</sup> , K = 1,5

\* Zvuk a vibrácie sa merajú v súlade so štandardizovaným testovaním podľa normy EN 62481-1.

- Úroveň vibrácií je možné použiť pre porovnanie s iným náradím a na predbežné určenie expozície.

- Emisie zvuku a vibrácií sa môžu líšiť v závislosti od vašej polohy a konkrétneho použitia tohto náradia.

- Pri každej aplikácii treba vyhodnocovať denné úrovne expozície zvuku a vibráciám a v prípade potreby treba prijať príslušné bezpečnostné opatrenia. Pri vyhodnocovaní úrovni expozície treba zohľadniť dobu, keď je náradie vypnuté a nepoužíva sa. Takto môže dôjsť k výraznému zníženiu úrovne expozície v priebehu celkovej pracovnej doby.

## Štandardné vybavenie

Podrobnosti o vybavení dodanom s nástrojmi s konkrétnymi katalógovými číslami sú uvedené v katalógu produktov značky RIDGID.

**POZNÁMKA!** Nadstavce lisovačiek RIDGID sa ponúkajú v rámci dvoch „sérií“

- Štandardná séria
- Kompaktná séria

Série týchto nadstavcov nie sú navzájom zameniteľné. Nadstavce štandardnej série budú fungovať len s náradím štandardnej série (RP 350, RP 351, RP 342-XL, RP 340, RP 330, 320-E, CT-400). Nadstavce kompaktnej série budú fungovať len s náradím kompaktnej série (RP 240, RP 241, RP 200, RP 210, 100B).

**POZNÁMKA** Za výber vhodných materiálov a metódy spojenia je zodpovedný projektant a/alebo montér systému. Pred pokusom o akúkoľvek inštaláciu sa musí vykonať dôkladné vyhodnotenie konkrétneho pracovného prostredia vrátane chemického prostredia a pracovnej teploty. Informácie k výberu získate od výrobcu systému lisovania tvaroviek.

## Kontrola pred prevádzkou

### ⚠ VÝSTRAHA



**Každý deň pred použitím skontrolujte lisovačku a vyriešte akékoľvek problémy, aby ste znížili riziko vážneho zranenia v dôsledku zasiahnutia elektrickým prúdom, pomliaždenia, zlyhania nadstavca a iných príčin a tiež aby ste predišli poškodeniu náradia.**

**ku zasiahnutia elektrickým prúdom, pomliaždenia, zlyhania nadstavca a iných príčin a tiež aby ste predišli poškodeniu náradia.**

1. Vypnite náradie a vyberte batériu/sieťový adaptér z náradia.
2. Odstráňte akýkoľvek olej, mazivo alebo nečistotu zo zariadenia, hlavne z rukoväti a ovládacích prvkov. Tým sa uľahčí kontrola a zabráni sa vyšmyknutiu náradia alebo ovládacích prvkov z rúk.

### 3. Vykonajte nasledovnú kontrolu lisovačky:

- Správna montáž, údržba a úplnosť.
  - Akékoľvek poškodené, opotrebované, chýbajúce, nesprávne nastavené alebo zasekávajúce sa časti. Overte, či sú textilné pútka v dobrom stave.
  - Plynulý pohyb montážneho kolíka nadstavca medzi úplne otvorenou a úplne zatvorenou polohou. Kolík by sa mal uzamknúť v každej polohe. Overte, či sa spínač chodu pohybuje voľne a neviazne ani sa nezasekáva.
  - Prítomnosť a čitateľnosť výstražného štítka (pozri Obrázok 6).
  - či sa nevyskytujú akékoľvek ďalšie okolnosti, ktoré by mohli brániť bezpečnej a normálnej činnosti.
- Nepoužívajte lisovačku, pokiaľ sa problémy nevyriešia.



Obrázok 6 – Stavové indikátory/výstražný štítok

4. Nadstavce náradia kontrolujte a udržiavajte podľa príslušných pokynov. Odstráňte nadstavec z náradia. Overte, či sú nadstavce v dobrom stave a jasne vyznačené ohľadom použitia.
5. Podľa príslušných pokynov vykonajte kontrolu a údržbu všetkých ostatných použitých zariadení, aby ste zaistili ich správnu funkčnosť.

## Nastavenie a prevádzka

### ⚠ VÝSTRAHA



Počas lisovacieho cyklu sa nepribližujte prstami a rukami k nastavcu náradia. V nastavci,

náradí, medzi náradím a nastavcom, obrobkom a inými predmetmi môže dôjsť k pomliaždeniu, zlomeniu alebo amputácii prstov alebo rúk.

Počas používania výrobku vznikajú veľké sily, v dôsledku ktorých môže dôjsť k zlomeniu alebo vymršteniu nejakej časti a k následnému zraneniu. Počas používania nástroja dodržiavajte od neho dostatočnú vzdialenosť a vždy používajte vhodné ochranné prostriedky vrátane ochrany zraku.

Použite správne kombinácie náradia, nastavca a tvarovky. Nesprávne kombinácie môžu viesť k neúplnému lisovanému spoju, ktorý zvyšuje riziko únikov, poškodenia zariadenia a zranenia.

**Dodržiavajte správny spôsob nastavenia a obsluhy, aby sa zamedzilo riziku zranenia v dôsledku pomliaždenia a iných príčin a zabránilo sa poškodeniu náradia.**

1. Overte, či je pracovná oblasť vhodná na vykonávanie činnosti (pozri *Všeobecné bezpečnostné výstrahy týkajúce sa elektrického náradia*). Zariadenie používajte na čistom, rovnom, stabilnom a suchom mieste. Nepoužívajte náradie, ak stojíte vo vode.
2. Skontrolujte prácu, ktorá sa má vykonať, a určte správne náradie RIDGID a správny nastavec RIDGID pre danú aplikáciu podľa ich technických parametrov. Použitie nesprávneho zariadenia pre danú aplikáciu môže spôsobiť zranenie, poškodiť náradie a vytvoriť neúplné spojenia.
3. Overte, či bolo všetko zariadenie skontrolované a nastavené podľa pokynov v príslušných návodoch.

### Odstránenie/inštalácia nastavca

1. Vypnite náradie a vyberte batériu/sieťový adaptér z náradia.
2. Úplne otvorte montážny kolík nastavca. Odpojte/pripojte správny nastavec (Obrázok 7).
3. Úplne zatvorte montážny kolík nastavca tak, aby sa uzamkol v zatvorenej polohe. Montážny kolík nastavca musí byť úplne zatvorený, aby nedošlo k poškodeniu náradia počas používania. Indikátory náradia budú svietiť, aby uvádzali aktuálny stav, *stavové indikátory náradia* pozri Obrázok 5.

**POZNÁMKA!** Nepoužívajte náradie bez nasadeného nastavca, pretože by sa tým mohlo náradie poškodiť.



Obrázok 7 – Montážny kolík nastavca

### Príprava spojenia

**POZNÁMKA** Tento návod predstavuje zovšeobecnené postupy pre niekoľko typov nastavcov lisovačky. Vždy dodržiavajte konkrétne pokyny týkajúce sa používaného nastavca lisovačky a konkrétne pokyny na inštaláciu od výrobcu tvarovky, aby sa zamedzilo riziku vzniku nesprávnych lisovaných spojov a rozsiahleho poškodenia majetku.

1. Lisovaný spoj pripravte v súlade s pokynmi výrobcu tvarovky.
2. Suchými rukami vložte úplne nabitú batériu alebo sieťový adaptér do náradia. Ak sa káblový napájací adaptér používa s prúdovým chráničom GFCl, prúdový chránič GFCl (RCD) musí mať menovitý zvyškový prúd 30 mA alebo menej. Jedným stlačením hlavného vypínača zapnite náradie. Všetky LED indikátory sa rozsvietia zelenou farbou, čo znamená, že náradie je pripravené na použitie. *Ostatné indikátory pozri Obrázok 5 – Stavové indikátory náradia.*



## Stlačenie tvarovky pomocou typických nožnicových čelustí

1. Správnym spôsobom uchopte náradie oboma rukami.

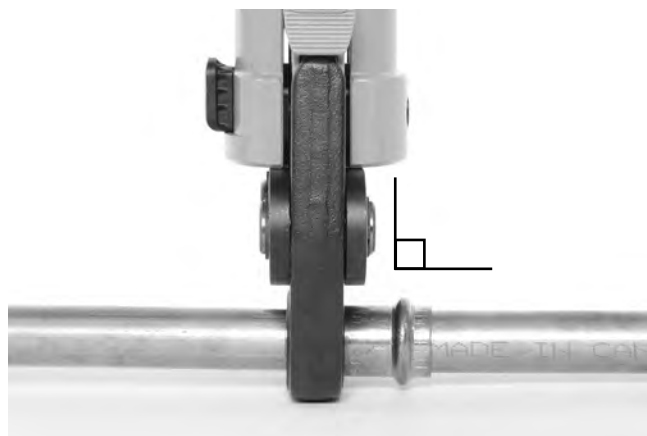


Obrázok 8 – Držanie nástroja

2. Stlačením ramien čelustí otvorte čeluste.
3. Umiestnite otvorené čeluste okolo tvarovky (Obrázok 9). Správne zarovnajte lisovací profil čelustí s obrysom tvarovky tak, ako je to uvedené v návode na inštaláciu od výrobcu tvarovky. Uvoľnite ramená čelustí, aby sa čeluste zatvorili okolo tvarovky. Nenechávajte visieť nastavené čeluste z tvarovky. Nástroj by mohol neočakávane spadnúť a spôsobiť vážne alebo smrteľné poranenie.



Obrázok 9 – Umiestnenie nožnicových čelustí okolo tvarovky



Obrázok 10 – Čeluste usporiadané kolmo na tvarovku

4. Uistite sa, že čeluste sú správne umiestnené a sú kolmo voči tvarovke (Obrázok 10). Nepribližujte sa prstami a rukami k čelustiam, aby nedošlo k zraneniam v dôsledku pomliaždenia v čelustiach alebo medzi čelustami a okolím.

**Normálny režim:** Stlačte spínač chodu (Obrázky 1 & 2). Hneď ako začne cyklus nástroja a valčeky sa dotknú ramien čelustí, nástroj sa uzamkne a automaticky dokončí cyklus. Uvoľnenie spínača nezastaví nástroj, keď sa raz uzamkol. Týmto sa zaisťuje konzistentná, opakovateľná celistvosť lisovaného spoja.

**Režim ovládania:** Stlačte spínač chodu (Obrázky 1 & 2). Čeluste uchopia tvarovku, ale lisovaný spoj sa nevytvorí. Podľa potreby vykonajte nastavenia. Znova stlačte spínač chodu, nástroj sa uzamkne a automaticky dokončí cyklus. Uvoľnenie spínača nezastaví nástroj, keď sa raz uzamkol. Týmto sa zaisťuje konzistentná, opakovateľná celistvosť lisovaného spoja.

Ak sa nástroj musí odstrániť pred dokončením lisovaného spoja, stlačte tlačidlo uvoľnenia tlaku (Obrázky 1 & 2).

**POZNÁMKA** Vždy, keď sa stlačí tlačidlo uvoľnenia, lisovaný spoj sa NEDOKONČÍ a tvarovka sa musí stlačiť znova, aby sa zaisťovalo dokončenie. Ak dôjde k poruche nástroja počas činnosti, použite tento postup.

5. Uvoľnite spínač spustenia.
6. Stlačením ramien čelustí otvorte čeluste.
7. Odoberte čeluste z tvarovky. Vyhnite sa ostrým hranám, ktoré sa mohli vytvoriť na tvarovke počas úkonu lisovania.
8. Keď je úkon dokončený, jedným stlačením hlavného vypínača vypnite nástroj. Vyberte batériu alebo sieťový adaptér z nástroja.

## Stlačenie tvarovky pomocou typického akčného členu a súpravy lisovacieho krúžka

1. Otvorte krúžok a umiestnite ho okolo tvarovky. Správne zarovnajte lisovací profil krúžka s obrysom tvarovky tak, ako je to uvedené v *návode na inštaláciu od výrobcu tvarovky*. Uvoľnite krúžok, aby sa zatvoril okolo tvarovky (Obrázok 11).
2. Uistite sa, že v nástroji je správne nainštalovaný vhodný akčný člen. Stlačte ramená akčného členu na otvorenie jeho špičiek. Zarovnajte špičky akčného členu so zásuvkami krúžka. Uvoľnite ramená akčného členu a úplne založte špičky akčného členu do priehlbín krúžka (Obrázok 12). Nesprávne zarovnanie špičky akčného členu so zásuvkou krúžka môže pri lisovaní poškodiť krúžok alebo akčný člen. Nástroj ani akčný člen nevesajte za lisovací krúžok. Nariadenie by mohlo neočakávane spadnúť a spôsobiť vážne alebo smrteľné zranenie.



Obrázok 11 – Inštalácia lisovacieho krúžka na tvarovku



Obrázok 12 – Pripojenie akčného členu k lisovaciemu krúžku

3. Uistite sa, že krúžok je správne umiestnený a je kolmo voči tvarovke. Nepribližujte sa prstami a rukami k akčnému členu a krúžku, aby nedošlo k zraneniam v dôsledku pomliaždenia nadstavcom alebo medzi nadstavcom a okolím.

**Normálny režim:** Stlačte spínač chodu (Obrázky 1 & 2). Hneď ako začne cyklus nástroja a valčeky sa dotknú ramien čelustí, nástroj sa uzamkne a automaticky dokončí cyklus. Uvoľnenie spínača nezastaví nástroj, keď sa raz uzamkol. Týmto sa zaistí konzistentná, opakovateľná celistvosť lisovaného spoja.

**Režim ovládania:** Stlačte spínač chodu (Obrázky 1 & 2). Čeluste uchopia tvarovku, ale lisovaný spoj sa nevytvorí. Podľa potreby vykonajte nastavenia. Znova stlačte spínač chodu, nariadenie sa uzamkne a automaticky dokončí cyklus. Uvoľnenie spínača nezastaví nástroj, keď sa raz uzamkol. Týmto sa zaistí konzistentná, opakovateľná celistvosť lisovaného spoja.

4. Ak sa nariadenie musí odstrániť pred dokončením lisovaného spoja, stlačte tlačidlo uvoľnenia tlaku (Obrázky 1 & 2).

**POZNÁMKA** Vždy, keď sa tlačí tlačidlo uvoľnenia, stlačenie sa NEDOKONČÍ a lisovaný spoj sa musí stlačiť znova, aby sa zaistilo dokončenie. Ak dôjde k poruche nástroja počas činnosti, použite tento postup.

5. Uvoľnite spínač spustenia.
6. Stlačte ramená akčného členu na jeho otvorenie. Odoberte akčný člen z tvarovky.
7. Odoberte krúžok z tvarovky. Vyhýbajte sa ostrým hranám, ktoré sa mohli vytvoriť na tvarovke počas úkonu lisovania.
8. Keď je úkon dokončený, jedným stlačením hlavného vypínača vypnite nariadenie. Vyberte batériu alebo sieťový adaptér z nariadenia.

## Kontrola lisovaného spoja

1. Vykonajte nasledovnú kontrolu lisovaného spoja:
  - Úplné vloženie rúrky do tvarovky.
  - Nadmerná miera nevyrovnanosti rúrok. Nepatrná miera nevyrovnanosti lisovaného spoja sa považuje za normálnu.
  - Nesprávne zarovnanie nadstavca s obrysom tvarovky. Pokrivená alebo zdeformovaná tvarovka.
  - Akékoľvek ďalšie problémy podľa výrobcu tvarovky. To by mohlo zahŕňať odstránenie kontrolného krúžka alebo štítka (používaného na indikáciu toho, že spoj nebol ešte stlačený).

Ak sa zistia nejaké problémy, odstráňte tvarovku a nainštalujte nový lisovaný spoj.
2. Vyskúšajte lisovaný spoj podľa pokynov výrobcu konektora, osvedčenej praxe a platných zákonov.

## Funkcie Bluetooth (bezdrôtový prenos dát)

Lisovačky RIDGID® RP 350 a RP 351 sú vybavené bezdrôtovou technológiou Bluetooth®, ktorá umožňuje bezdrôtový prenos dát do vhodne vybavených smartfónov alebo tabletov („zariadení“), v ktorých sa používa operačný systém iOS alebo Android.

1. Stiahnite si vhodnú spojovaciu aplikáciu RIDGID® Link do svojho zariadenia zo stránky RIDGID.com/apps, z Google Play Store či Apple App Store.
2. Keď je náradie zapnuté, zariadenie vybavené bezdrôtovou technológiou Bluetooth dokáže nájsť a spárovať sa s touto lisovačkou. V nastaveniach Bluetooth vášho zariadenia zvolte požadované náradie RIDGID. Konkrétne informácie o spôsobe pripojenia prostredníctvom bezdrôtovej technológie Bluetooth nájdete v návode na obsluhu svojho zariadenia. Po pripojení sa rozsvietia zelené-modré-modré-modré stavové indikátory náradia.

Po počiatočnom spárovaní sa väčšina zariadení automaticky pripojí k náradiu, keď je bezdrôtová technológia Bluetooth aktívna a v dosahu a ak sú nastavenia zariadenia nakonfigurované na pripojenie. Lisovačky majú byť menej ako 33 ft. (10 m) od zariadenia, ktoré sa má nájsť. Akákoľvek prekážka medzi náradím a zariadením môže skrátiť prevádzkový dosah.

3. Postupujte podľa pokynov aplikácie ohľadom správneho použitia. Režim prevádzky je možné zmeniť prostredníctvom aplikácie. Aplikácia umožňuje aj sledovanie cyklov náradia.
4. Bezdrôtový prenos dát sa vypne, keď sa vypne lisovačka. Vypnite bezdrôtové zariadenie s funkciou Bluetooth, aby sa obmedzilo vybijanie batérie.

## Používanie v studenom počasí

Pri poklese teploty hydraulická kvapalina zhustne a výkon batérie sa zníži. Aby sa zamedzilo riziku nesprávnej činnosti, lisovačky RP 350 a RP 351 nebudú fungovať mimo určeného rozsahu teplôt tak, ako to uvádzajú stavové indikátory náradia (Obrázok 5).

Keď sú okolité podmienky mimo určeného rozsahu teploty, uchovávajte náradie a akumulátory vo vhodnom prostredí dovtedy, kým nebudú pripravené na použitie.

## Skladovanie

Vyberte batériu alebo sieťový adaptér z lisovačky. Lisovačku a batériu skladujte v puzdre. Vyhnite sa skladovaniu v extrémne teplých či chladných podmienkach. Náradie sa nezapne, ak sa nachádza mimo rozsahu technických parametrov. Taký stav budú signalizovať stavové indikátory náradia. (Pozrite si Obrázok 5)

**⚠ VÝSTRAHA** Náradie skladujte na suchom, zabezpečenom, uzamknutom mieste, mimo dosahu detí a osôb, ktoré neboli s lisovačkou oboznámené. Toto náradie je nebezpečné v rukách používateľov bez náležitého výškolenia.

## Pokyny na údržbu

### ⚠ VÝSTRAHA

**Pred vykonávaním údržby alebo akéhokoľvek nastavenia sa uistite, že je náradie vypnuté a že sú batéria alebo sieťový adaptér vybraté z náradia.**

## Čistenie a mazanie

1. Náradie poutierajte každý deň čistou suchou handričkou.
2. Skontrolujte montážny kolík nadstavca a podľa potreby ho namažte silikónovým mazivom.
3. Pri každom použití skontrolujte vratné pružiny v nadstavcoch. Nadstavce by sa mali otvárať a zatvárať voľne len s potrebným miernym úsilím prsta.

## Servis a opravy

### ⚠ VÝSTRAHA

**Nesprávny servis alebo nesprávna oprava môže spôsobiť, že použitie náradia bude nebezpečné.**

Servis a opravy lisovačiek RP 350 a RP 351 musí vykonávať nezávislé servisné stredisko pre lisovačky RIDGID.

Informácie o vašom najbližšom autorizovanom nezávislom servisnom stredisku spoločnosti RIDGID, servise či oprave nájdete v časti *Kontaktné informácie* v tomto návode.

## Riešenie problémov

PRÍZNAK	MOŽNÉ PRÍČINY	RIEŠENIE
<b>Náradie sa nezapne, keď sa stlačí hlavný vypínač.</b>	Batéria je úplne vybitá alebo poškodená.	Vložte plne nabitú batériu/dobite batériu.
	Batéria nie je do rukoväte náradia správne vložená	Skontrolujte úplné zasunutie batérie.
<b>Nadstavec je uzamknutý na tvarovke.</b>	Sieťový adaptér nie je správne zasunutý do náradia.	Správne zasuňte sieťový adaptér do náradia.
	Lisovaný spoj sa nedokončil úspešne.	Stlačením tlačidla uvoľnenia tlaku odstráňte čeluste z tvarovky. Skontrolujte a znova stlačte tvarovku.
<b>Vytvorené lisované spoje nie sú úplné.</b>	Použili sa nesprávne čeluste pre veľkosť alebo materiál rúrky.	Nainštalujte správny nadstavec.
	Náradie nebolo umiestnené kolmo na rúrku.	Znova vykonajte lisovaný spoj pomocou novej tvarovky a novej rúrky. Dbajte na to, aby náradie lícovalo s rúrkou.
	Obrys lisovacieho nadstavca nebol zarovnaný s obrysom tvarovky.	Znova vykonajte spoj pomocou novej rúrky a novej tvarovky. Uistite sa, že obrys stláčania nadstavca je zarovnaný s obrysom tvarovky.
	Náradie treba opraviť.	Vezmite ho do servisu.
<b>Z náradia uniká olej.</b>	Problémy tesnenia alebo mechanická porucha.	
<b>Motor beží, ale náradie nedokončuje cyklus.</b>	Nízka hladina oleja.	Vezmite ho do servisu.
<b>Náradie sa zastaví počas činnosti.</b>	Nízka hladina oleja.	

*Pozri obrázok 5 – Kontrolky stavu náradia*

## Voliteľné vybavenie

### ⚠ VÝSTRAHA

**Aby sa zamedzilo riziku vážneho zranenia, používajte len vybavenie výslovne navrhnuté a odporúčané pre používanie s lisovačkami RP 350 a RP 351 podľa nižšie uvedeného zoznamu.**

### Batérie a adaptéry

Katalógové č.	Popis
56513	18 V 2,5 Ah lítium-iónová batéria RB-1825
56518	18 V 5,0 Ah lítium-iónová batéria RB-1850
44468	Sieťový napájací adaptér 120 AC - Severná Amerika
43338	Sieťový napájací adaptér 220 AC - Európa
44823	Sieťový napájací adaptér 120 AC - Čína

### Nabíjačky a káble

Katalógové č.		Región	Typ konektora
64383	Nabíjačka RBC-30	Severná Amerika	A
56523	Nabíjačka RBC-30	Európa	C
64388	Nabíjačka RBC-30	Čína	A
64393	Nabíjačka RBC-30	Austrália	I
64378	Nabíjačka RBC-30	Japonsko	A
64398	Nabíjačka RBC-30	Spojené kráľovstvo	G
64173	Nabíjací kábel RBC-30	Severná Amerika	A
64183	Nabíjací kábel RBC-30	Európa	C

Kompletný zoznam vybavenia RIDGID, ktoré je k dispozícii pre toto náradie, nájdete v online katalógu náradia spoločnosti Ridge na stránke RIDGID.com, prípadne v časti *Kontaktné informácie*.

## Likvidácia

Časti týchto nástrojov obsahujú cenné materiály, ktoré sa dajú recyklovať. Vo svojom okolí určite nájdete firmy, ktoré sa špecializujú na recykláciu. Všetky komponenty zlikvidujte v súlade s príslušnými nariadeniami. Ak potrebujete viac informácií, obráťte sa na váš miestny úrad, ktorý riadi odpadové hospodárstvo.



**V krajinách ES:** Elektrické zariadenia nelikvidujte spolu s komunálnym odpadom!

V súlade s Európskou smernicou 2012/-19/EÚ o zbere a recyklácii odpadu z elektrických a elektronických zariadení a jej implementáciou do štátnej legislatívy sa musia elektrické zariadenia, ktoré nie je možné ďalej používať, zbierať a likvidovať oddelene a spôsobom, ktorý neohrozuje životné prostredie.



## Elektromagnetická kompatibilita (EMC)

Pojem elektromagnetická kompatibilita znamená schopnosť produktu pracovať bez problémov v prostredí s elektromagnetickým žiarením a elektrostatickými výbojmi a nespôsobovať elektromagnetickú interferenciu v iných zariadeniach.

**POZNÁMKA** Toto náradie spĺňa podmienky všetkých platných noriem týkajúcich sa elektromagnetickej kompatibility. Nemožno však vylúčiť možnosť, že náradie bude spôsobovať rušenie iných zariadení. Všetky normy vzťahujúce sa na elektromagnetickú kompatibilitu, ktoré boli testované, sú uvedené v technickej dokumentácii náradia.

## Vyhlásenie FCC/ICES

Toto zariadenie vyhovuje Časti 15 predpisov FCC. Činnosť podlieha nasledujúcim dvom podmienkam:

1. Toto zariadenie nesmie spôsobovať škodlivé rušenie.
2. Toto zariadenie musí byť schopné prijímať akékoľvek prijímané rušenie vrátane rušenia, ktoré môže spôsobovať nežiaducu činnosť.

Úpravy, ktoré výslovne neschválila táto spoločnosť, by mohli viesť k zrušeniu oprávnenia používateľa používať toto zariadenie.

Toto zariadenie bolo podrobené skúškam a preukázalo sa, že spĺňa obmedzenia pre digitálne zariadenia triedy A podľa časti 15 predpisov FCC. Tieto obmedzenia slúžia na poskytnutie primeranej ochrany proti škodlivému rušeniu, keď sa zariadenie používa v komerčnom prostredí. Toto zariadenie vytvára, používa a môže vyžarovať vysokofrekvenčnú energiu a v prípade, že nie je nainštalované alebo sa nepoužíva v súlade s týmto návodom na použitie, môže spôsobovať škodlivé rušenie rádiových komunikačných zariadení. Činnosť tohto zariadenia v obytnom prostredí bude pravdepodobne spôsobovať škodlivé rušenie, pričom v takomto prípade bude používateľ musieť odstrániť toto rušenie na svoje vlastné náklady.

Tento výrobok vyhovuje kanadským špecifikáciám ICES-003 triedy A. *Pozri štítok s vyhlásením na náradí.*

# RP 350/RP 351

## Unelte de presare



### **⚠️ AVERTIZARE!**

Citiți cu atenție acest manual de utilizare înainte de a folosi această mașină-unelte. Neînțelegerea și nerespectarea conținutului acestui manual poate cauza electrocutări, incendii și/ sau vătămări personale grave.

#### **Mașini-unelte de presare RP 350/RP 351 Press Tools**

Înregistrați numărul de serie de mai jos și rețineți numărul de serie al produsului care este localizat pe plăcuța de identificare.

Nr. serie

--

## Cuprins

<b>Formular de înregistrare pentru numărul de serie al mașinii</b> .....	223
<b>Simboluri de siguranță/Simboluri</b> .....	225
<b>Avertizări generale privind siguranța mașinilor-unelte electrice</b> .....	225
Siguranța în zona de lucru.....	225
Siguranța din punct de vedere electric.....	225
Siguranța individuală.....	226
Utilizarea și întreținerea mașinilor-unelte electrice.....	226
Utilizarea și întreținerea mașinilor-unelte electrice cu baterie.....	227
Service.....	227
<b>Informații specifice privind siguranța</b> .....	227
Siguranța mașinii-unelte de presare Press Tool.....	227
<b>Informații de contact RIDGID®</b> .....	227
<b>Descriere</b> .....	228
<b>Specificații</b> .....	231
Echipament standard.....	231
<b>Inspekția înainte de utilizare</b> .....	231
<b>Inițializare și exploatare</b> .....	232
Demontarea/Montarea atașamentului.....	232
Pregătirea racordului.....	233
Presarea unui fitting cu fălci foarfece specifice.....	233
Presarea unui fitting cu actuatorul tipic și setul de inele de presare.....	234
Examinarea racordului presat.....	235
Funcții Bluetooth (Transfer de date fără fir).....	235
Operarea pe vreme rece.....	235
<b>Depozitare</b> .....	235
<b>Instrucțiuni de întreținere</b> .....	235
Curățare și lubrifiere.....	235
<b>Service și reparații</b> .....	235
<b>Depanare</b> .....	236
<b>Echipamente opționale</b> .....	236
<b>Dezafectare</b> .....	237
<b>Compatibilitate electromagnetică (EMC)</b> .....	238
<b>Declarația FCC/ICES</b> .....	238
<b>Declarație CE de conformitate</b> .....	Copertă interioară spate
<b>Garanție pe viață</b> .....	Coperta din spate

\*Traducerea instrucțiunilor originale

## Simboluri de siguranță/Simboluri

În acest manual de utilizare și pe produs, simbolurile de siguranță și cuvintele de semnalizare sunt utilizate pentru a comunica informații importante privind siguranța. Acest capitol este prevăzut pentru a înțelege mai bine aceste cuvinte și simboluri de semnalizare.



Acesta este un simbol de avertizare privind siguranța. Este folosit pentru a avertizare asupra pericolelor potențiale de vătămare personală. Respectați toate mesajele de siguranță care urmează după acest simbol, pentru a evita posibilele vătămări sau deces.



**PERICOL** PERICOL indică o situație periculoasă care dacă nu este evitată, cauzează deces sau vătămări grave.



**AVERTIZARE** AVERTIZARE indică o situație periculoasă care dacă nu este evitată, poate cauza deces sau vătămări grave.



**PRECAUȚIE** PRECAUȚIE indică o situație periculoasă care, dacă nu este evitată, ar putea cauza accidentări minore sau moderate.



**NOTĂ** NOTĂ indică informații referitoare la protejarea proprietății.



Acest simbol înseamnă că trebuie să citiți cu atenție manualul de utilizare înainte de a folosi echipamentul. Manualul de utilizare conține informații importante referitoare la exploatarea sigură și corectă a echipamentului.



Acest simbol înseamnă că trebuie să purtați întotdeauna ochelari de protecție cu apărători laterale sau ochelari-mască atunci când manevrați sau utilizați acest echipament pentru a reduce riscul vătămării ochilor.



Acest simbol indică riscul de strivire pentru mâini, degete sau alte părți ale corpului.



Acest simbol indică riscul de electrocutare.



Acest simbol indică faptul că este un echipament destinat exclusiv utilizării în spațiu interior.



Acest simbol indică faptul că este un echipament de Clasa II de protecție.



Acest simbol indică faptul că acest echipament electric nu trebuie aruncat împreună cu deșeurile menajere. *Consultați secțiunea „Aruncarea”.*



Acest simbol indică faptul că acest echipament electric îndeplinește directivele CE aplicabile.



Acest simbol indică anul fabricației acestui produs.

## Avertizări generale privind siguranța mașinilor-unelte electrice\*

### AVERTIZARE

**Citiți toate avertizările de siguranță, instrucțiunile și specificațiile livrate cu această mașină-uneltă. Nerespectarea tuturor instrucțiunilor prezentate mai jos poate cauza electrocutări, incendii și/sau accidentări grave.**

### PĂSTRAȚI TOATE AVERTIZĂRILE ȘI INSTRUCȚIUNILE PENTRU CONSULTARE ULTERIOARĂ!

Termenul „mașină-uneltă electrică” din avertizări se referă la mașina-uneltă electrică alimentată de la rețeaua electrică (cablată) sau mașina-uneltă electrică alimentată de la acumulator (necablată).

### Siguranța în zona de lucru

- **Mențineți zona de lucru curată și bine luminată.** Zonele aglomerate sau întunecoase favorizează accidentele.

- **Nu operați mașinile electrice în medii explozive, cum ar fi în prezența lichidelor, gazelor sau prafurilor inflamabile.** Mașinile-unelte electrice produc scântei care pot aprinde praful sau vaporii.
- **Țineți copiii și spectatorii la distanță în timpul operării unei mașini-unelte electrice.** Distragerea atenției poate cauza pierderea controlului.

### Siguranța din punct de vedere electric

- **Ștecherile mașinilor-unelte electrice trebuie să se potrivească prizelor. Nu modificați niciodată ștecherul în nici un fel. Nu utilizați și ștechere adaptoare la mașinile-unelte electrice prevăzute cu împământare (legate la pământ).** Ștecherile nemodificate și prizele potrivite reduc riscul de electrocutare.
- **Evitați contactul corpului cu suprafețe împământate sau legate la masă, cum ar fi țevile, radiatoarele, plitele electrice și frigider.** Riscul de electrocutare este mărit în cazul în care aveți corpul conectat la pământ sau masă.

\* Textul utilizat în capitolul Avertizări generale privind siguranța mașinilor-unelte electrice al acestui manual este conform cerințelor, redarea cuvânt cu cuvânt a standardului aplicabil UL/CSA 62841-1. Acest capitol conține practici de siguranță generală pentru o multitudine de tipuri diferite de mașini unelte electrice. Nu fiecare prevedere se aplică fiecărei unelte, și unele nu se aplică acestei unelte.

- **Nu expuneți mașinile-unelte electrice la ploaie sau la condiții de umezeală.** Apa pătrunsă într-o mașină-unelă electrică va spori riscul de electrocutare.
- **Nu maltratați cablul de alimentare. Nu utilizați niciodată cablul de alimentare pentru a transporta, trage sau deconecta mașinile-unelte electrice. Feriți cablul de alimentare de căldură, ulei, muchii ascuțite sau piese în mișcare.** Cablurile deteriorate sau încurcate sporesc pericolul de electrocutare.
- **Când exploatați o mașină-unelă electrică în exterior, utilizați un cablu prelungitor adecvat pentru utilizare în exterior.** Utilizarea unui cablu potrivit pentru utilizarea în exterior reduce pericolul de electrocutare.
- **Dacă utilizarea unei mașini-unelte electrice într-un loc umed nu poate fi evitată, utilizați o sursă de alimentare protejată printr-un întrerupător de siguranță sensibil la defect de împământare (GFCI).** Utilizarea unui GFCI (întrerupător de siguranță sensibil la defect de împământare) reduce pericolul de electrocutare.

### Siguranța individuală

- **Fiți atent, concentrați-vă la ceea ce faceți și folosiți bunul simț când operați o mașină-unelă electrică. Nu utilizați mașini-unelte electrice când sunteți obosit sau sub influența drogurilor, a alcoolului sau a medicamentelor.** Un moment de neatenție în timp ce operați mașinile-unelte electrice poate avea drept rezultat accidente personale grave.
- **Utilizați echipamentul individual de protecție. Întotdeauna purtați echipament de protecție pentru ochi.** Echipamentul de protecție, precum masca anti-praf, pantofii de protecție antiderapanți, cască sau antifoanele, folosite în condiții adecvate, reduc riscul de vătămare.
- **Împiedicați pornirea neintenționată. Asigurați-vă că întrerupătorul este în poziția OFF (oprit) înainte de conectarea la sursa de energie electrică și/sau pachetul de baterii, ridicarea sau transportarea mașinii-unelte.** Transportul mașinilor-unelte electrice cu degetul pe întrerupător sau conectarea la sursă a mașinilor-unelte electrice cu întrerupătorul în poziția ON (pornit) favorizează accidentele.
- **Îndepărtați orice cheie înainte de a porni (ON) mașina-unelă electrică.** O cheie fixă sau o cheie lăsată atașată la o piesă rotativă a mașinii-unelte electrice poate avea ca rezultat vătămări personale.
- **Nu vă dezechilibrați. Mențineți-vă permanent sprijinul adecvat pe sol și echilibrul.** Acest lucru asigură un control mai bun al mașinii-unelte electrice în situații neprevăzute.
- **Îmbrăcați-vă adecvat. Nu purtați haine largi sau bijuterii. Feriți părul, hainele și mănușile de piesele în mișcare.** Hainele largi, bijuteriile sau părul lung pot fi prinse în piesele în mișcare.
- **Dacă sunt prevăzute dispozitive pentru racordarea instalațiilor extractoare și colectoare de praf, asigurați-vă că acestea sunt conectate și utilizate corespunzător.** Colectarea prafului poate reduce pericolele provocate de acesta.
- **Nu lăsați ca familiarizarea prin utilizarea frecventă a mașinilor-unelte să vă facă încrezător și să ignorați principiile de siguranță.** O acțiune neglijentă poate cauza vătămări grave într-o fracțiune de secundă.

### Utilizarea și întreținerea mașinilor-unelte electrice

- **Nu forțați mașinile-unelte electrice. Folosiți mașina-unelă corectă pentru aplicația dumneavoastră.** Mașina-unelă corectă va executa mai bine și mai sigur lucrarea în condițiile pentru care este proiectată.
- **Nu folosiți mașina-unelă electrică dacă întrerupătorul nu conectează (ON) sau deconectează (OFF).** Orice mașină-unelă electrică care nu poate fi controlată de la întrerupător este periculoasă și trebuie reparată.
- **Deconectați ștecherul de la sursa de alimentare electrică și/sau scoateți pachetul de baterii din mașina-unelă electrică înainte de a efectua orice reglaje, de a schimba accesoriu sau de a depozita mașinile-unelte electrice.** Aceste măsuri preventive de siguranță reduc riscul pornirii accidentale a mașinilor-unelte electrice.
- **Nu lăsați mașinile-unelte electrice inactive la îndemâna copiilor și nu permiteți persoanelor nefamiliarizate cu mașina-unelă electrică sau cu aceste instrucțiuni să o acționeze.** Mașinile-unelte electrice sunt periculoase în mâinile utilizatorilor neinstruiți.
- **Întrețineți mașinile-unelte. Depistați nealinierea sau blocarea pieselor în mișcare, deteriorarea componentelor și orice alte stări care ar putea afecta exploatarea mașinilor-unelte electrice. Dacă este avariată, duceți mașina-unelă electrică la reparat înainte de a o utiliza.** Numeroase accidente sunt cauzate de mașini-unelte electrice incorect întreținute.
- **Mențineți sculele tăietoare ascuțite și curate.** Sculele tăietoare întreținute corespunzător, cu muchii tăietoare ascuțite sunt mai puțin expuse la blocare și sunt mai ușor de operat.
- **Utilizați mașina-unelă electrică, accesoriile și piesele, etc. în conformitate cu aceste instrucțiuni, ținând cont de condițiile de lucru și de munca ce trebuie efectuată.** Utilizarea mașinii-unelte electrice pentru operațiuni diferite de cele pentru care este destinată poate duce la situații periculoase.
- **Mențineți mânerul și suprafețele de apucare uscate, curate și fără ulei sau vaselină.** Mânerul și suprafețele de apucare alunecoase nu permit manipularea și controlul sigur al mașinii-unelte în situații neașteptate.



## Utilizarea și întreținerea mașinilor-unelte electrice cu baterie

- **Reîncărcați numai cu încărcătorul specificat de producător.** Un încărcător potrivit pentru un tip de pachet de acumulatori poate genera pericol de incendiu când este utilizat cu alt pachet de acumulatori.
- **Utilizați mașinile-unelte electrice numai cu pachetele de baterii indicate în mod special.** Utilizarea altor acumulatori poate genera pericol de răniri și incendii.
- **Când nu utilizați un pachet de baterii, țineți-l departe de alte obiecte metalice, cum ar fi cleme, monede, chei, cuie, șuruburi sau alte obiecte metalice mici care pot crea o conexiune între borne.** Scurtcircuitarea bornelor bateriei poate cauza arsuri sau incendiu.
- **În condiții greșite, lichidul poate ieși din acumulator; evitați contactul cu acesta. În caz de contact accidental, spălați cu apă. Dacă lichidul vine în contact cu ochii, solicitați asistență medicală.** Lichidul scos din acumulator poate produce iritații sau arsuri.
- **Nu folosiți un pachet de baterii sau o mașină-unealtă deteriorate sau modificate.** Bateriile deteriorate sau modificate pot prezenta un comportament imprevizibil, care poate cauza, foc, explozie sau pericol de vătămare.
- **Nu expuneți un pachet de baterii sau o mașină-unealtă la foc sau temperatură excesivă.** Expunerea la foc sau temperatură peste 265 °F (130 °C) poate cauza explozie.
- **Urmați toate instrucțiunile de încărcare și nu încărcați pachetul de baterii sau mașina-unealtă în afara domeniului de temperatură specificat în instrucțiuni.** Încărcarea necorespunzătoare sau la temperaturi în afara domeniului specificat poate deteriora bateria și mărește riscul de incendiu.

## Service

- **Încredințați pentru service mașina-unealtă electrică a dvs. unei persoane calificate pentru reparații, utilizând numai piese de schimb identice.** Aceasta va asigura menținerea siguranței în exploatare a mașinii-unelte electrice.

## Informații specifice privind siguranța

### ▲ AVERTIZARE

**Acest capitol conține informații importante despre siguranță, specifice acestei mașini-unelte.**

**Citiți aceste avertizări cu atenție înainte de utiliza mașinile-unelte de presare, pentru a reduce riscul de electrocutare, lovire, strivire sau alte vătămări personale grave.**

**PĂSTRAȚI TOATE AVERTIZĂRILE ȘI INSTRUCȚIUNILE PENTRU CONSULTARE ULTERIOARĂ!**

Un compartiment din cutia de transport a mașinii-unelte este prevăzut pentru păstrarea acestui manual împreună cu mașina-unealtă, în vederea utilizării de către operator.

## Siguranța mașinii-unelte de presare Press Tool

- **Feriți degetele și mâinile de atașamentele de presare în timpul ciclului de presare.** Degetele sau mâinile dumneavoastră pot fi strivite, fracturate sau amputate dacă sunt prinse între atașamente sau aceste componente și oricare alt obiect.
- **Nu încercați niciodată să reparați atașamentele de presare deteriorate (fălci, inel de presare, actuator, etc.). Eliminați la deșeuri atașamentul deteriorat complet** Un atașament care a fost sudat, polizat, găurit sau modificat în orice mod se poate sparge în timpul presării, cauzând vătămări grave. Dacă nu se înlocuiește atașamentul complet, se pot produce defectuni ale componentei și vătămări grave.
- **În timpul utilizării produsului sunt generate forțe mari care pot rupe sau proiecta piese și să cauzeze vătămări.** Stați la distanță în timpul utilizării și purtați echipament de protecție corespunzător, inclusiv protecție pentru ochi.
- **Folosiți numai Mașini-unelte de presare RIDGID® cu atașamente de presare adecvate RIDGID sau aprobate RIDGID (fălci, inele de presare, actuatore etc.).** Alte utilizări sau modificarea mașinii-unelte de presare pentru alte aplicații pot deteriora mașina-unealtă de presare, atașamentele și/sau să producă vătămări individuale.
- **Utilizați combinațiile adecvate de mașină-unealtă, atașament și fitting.** Combinațiile necorespunzătoare pot conduce la o îmbinare incompletă, care mărește riscul de scurgeri, deteriorare a echipamentelor și vătămare.
- **Înainte de a opera o Mașină-unealtă de presare RIDGID citiți și înțelegeți:**

– Acest manual de utilizare

– Instrucțiunile atașamentului

– Manualul bateriei/încărcătorului

– Instrucțiunile de montaj ale producătorului fittingului

Instrucțiunile pentru orice alt echipament sau material utilizat cu această mașină-unealtă

Nerespectarea tuturor avertismentelor și instrucțiunilor poate cauza pagube materiale și/sau accidente grave.

## Informații de contact RIDGID®

Dacă aveți întrebări privind acest produs RIDGID®:

- Contactați distribuitorul local RIDGID.
- Vizitați RIDGID.com pentru a găsi distribuitorul local RIDGID.
- Contactați departamentul tehnic de service Ridge Tool Technical Service Department la [rtctechservices@emerson.com](mailto:rtctechservices@emerson.com), sau în SUA și Canada apelați (800) 519-3456.

## Descriere

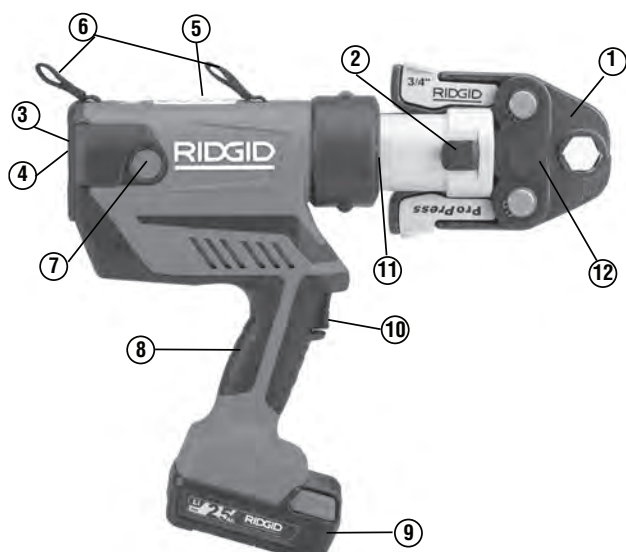
Mașinile-unelte de presare RIDGID® RP 350 și RP 351 Press Tools, atunci când sunt utilizate cu atașamentele corespunzătoare, sunt destinate presării mecanice a fittingurilor pe țevi, pentru a crea o îmbinare etanșă la apă și permanentă, cum este în aplicațiile de instalații de țevi, încălzire, aer condiționat, refrigerare. Există atașamente disponibile și pentru alte utilizări.

Când este apăsat întrerupătorul de activare pe mașina-uneltă de presare, un motor electric interior acționează o pompă hidraulică care trimite fluid în cilindrul mașinii-unelte, împingând pistonul înainte și aplicând forță la atașament, apăsând fittingul. Ciclul de presare este de circa 4 secunde. Odată ce ciclul începe să deformeze un fitting, el continuă automat până la finalizare, chiar dacă întrerupătorul de activare este eliberat.

Mașina-uneltă include un al doilea mod de operare („Control Mode” / Mod Control) care poate fi activat prin utilizarea aplicației RIDGID Link App. Control Mode (Modul Control) permite angajarea fittingului înainte de procesare pentru a permite confirmarea alinierii corecte a atașamentului, fittingului și țevii.

Luminile de stare ale mașinii-unelte indică elemente cum sunt starea mașinii-unelte, starea bateriei, întreținerea necesară sau temperatura necorespunzătoare. O lampă de lucru se aprinde când întrerupătorul de activare este apăsat, pentru a ilumina zona de lucru. Capul poate fi rotit 360° pentru un acces mai bun în spațiile înguste.

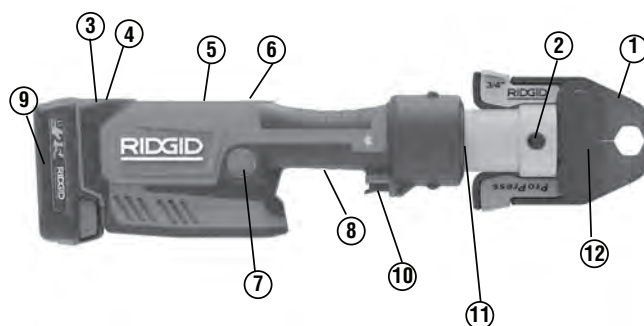
Mașinile-unelte sunt livrate cu chingi textile, care pot fi utilizate cu atașamente corespunzătoare cum ar fi o chingă de umăr sau ancoră de conducte.



**Figura 1 – Mașina uneltă de presare RIDGID RP 350 și falca Standard Series**

Mașinile-unelte de presare includ tehnologia de comunicație fără fir Bluetooth®, care permite conectarea la telefoane și tablete inteligente "smart". Vezi secțiunea „Bluetooth Functions (Wireless Data Transfer)” (Funcții Bluetooth (transferul datelor fără fir)) pentru detalii.

\* Cuvântul de marcă și sigla The Bluetooth® sunt mărci înregistrate ale Bluetooth SIG, înc și orice utilizare a acestor mărci de către Emerson Electric Co. este supusă licenței. Alte mărci comerciale și denumiri comerciale aparțin respectivilor proprietari.



**Figura 2 – Mașina uneltă de presare RIDGID RP 351 și falca Standard Series**

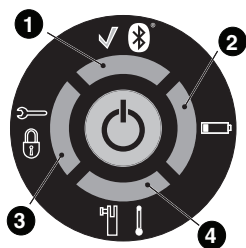
#	Descriere	
1	Set falci stil foarfecă	7 Buton eliberare presiune (RP 351 Capătul îndepărtat)
2	Știft montaj atașament	8 Mâner
3	Lumini de stare mașina-uneltă	9 Baterie
4	Buton ON/OFF (Pornit/Oprit)	10 Întrerupător Run (Operare)
5	Etichetă de avertizare (RP 351 Partea inferioară)	11 LED Lumină de lucru
6	Buclă textilă	12 Placă laterală falci



Figura 3 – Numărul de serie al mașinii - Cifrele încercuite indică anul și luna fabricației. (YY = anul, MM = luna).

Control	Marcaj	Descriere
<b>Buton On/Off (pornit/oprit)</b>		Înterupătorul principal de alimentare al mașinii-unelte. (I = ON, O = OFF). ON (pornit): Apăsați butonul până se aprinde lumina <i>Vezi figura 5 – Lumini de stare mașina-unealtă</i> . OFF (oprit): Apăsați butonul până se stinge lumina. Mașina-unealtă se deconectează automat – OFF (Oprit) dacă rămâne neutilizată timp de zece (10) minute.
<b>Înterupător Run (Operare)</b>	–	<b>Aprindeți lumina de lucru:</b> Apăsați ușor întrerupătorul de activare. <b>Modul Normal:</b> Apăsați întrerupătorul de activare pentru a porni ciclul de presare, eliberați când mașina-unealtă blochează. Modul Normal este setarea din fabrică. <b>Modul Control:</b> Apăsați întrerupătorul de activare pentru angajarea atașamentului pe piesa de prelucrat. Efectuați ajustările necesare. Apăsați din nou întrerupătorul de activare pentru a porni ciclul de presare, eliberați când mașina-unealtă blochează. Eliberarea întrerupătorului nu oprește unealta odată blocată. În acest fel se asigură integritatea uniformă și repetabilă a racordului presat. Modul poate fi schimbat prin aplicația RIDGID Link App, <i>vezi secțiunea Funcții Bluetooth</i> .
<b>Buton eliberare presiune</b>		Permite eliberarea mașinii-unelte fără finalizarea presării. Dacă este utilizată, racordul presat nu este finalizat și trebuie repetat.
<b>Știft montaj atașament</b>	–	Ține atașamentul la unealtă. Trebuie inserat complet pentru ca mașina-unealtă să opereze. <i>Vezi figura 6</i> .

Figura 4 – Schema comenzilor



Numărul segmentului luminos (Aprins continuu)				Descriere
1 ✓ Bluetooth	2 [Battery]	3 [Lock/Key]	4 [Power]	
-	-	-	-	Mașina unealtă deconectată (OFF).
Verde	Verde	Verde	Verde	Butonul ON apăsat, luminează 4 secunde la pornire, mașina-unealtă în „Normal Mode” (Modul Normal).
Albastru	Albastru	Albastru	Albastru	Butonul ON apăsat, luminează 4 secunde la pornire, mașina-unealtă în „Control Mode” (Modul Control) - vezi secțiunea <i>Funcții Bluetooth</i> pentru schimbarea modului.
Verde	-	-	-	Mașina-unealtă de presare este în modul Normal, standby, mașina-unealtă de presare este gata de operare.
Roșu	Galben	Galben	Galben	Mașina-unealtă funcționează defectuos. Mașina-unealtă nu funcționează. Scoateți și reintroduceți bateria sau adaptorul AC. Dacă lumina este în continuare aprinsă, prezentați la service mașina-unealtă.
Roșu	-	-	-	Mașina-unealtă funcționează defectuos. Mașina-unealtă nu funcționează. Scoateți și reintroduceți bateria sau adaptorul AC. Dacă lumina roșie este în continuare aprinsă, prezentați la service mașina-unealtă.
Galben	-	Roșu	Roșu	Mașina-unealtă și/sau bateria sunt în afara domeniului de temperatură specificat. Mașina-unealtă nu funcționează. Aduceți mașina-unealtă și bateria la domeniul de temperatură corect de exploatare.
Galben	-	-	Roșu	Știftul de montare a atașamentului nu este complet introdus. Mașina-unealtă nu funcționează. Introduceți complet știftul. Dacă luminile sunt în continuare aprinse, prezentați la service mașina-unealtă.
Galben	Roșu	-	-	Baterie descărcată. Mașina-unealtă nu funcționează. Reîncărcați bateria/Introduceți o baterie complet încărcată.
Verde	Albastru	Albastru	Albastru	Conexiunea Bluetooth stabilizată, standby, mașina-unealtă de presare gata de operare - Pentru informații suplimentare vedeți secțiunea <i>Funcții Bluetooth</i> .
		Purpuriu		Update firmware în proces, mașina-unealtă nu poate fi utilizată în timpul updatării.

**Figura 5 – Lumini de stare mașina-unealtă**

## Specificații

	Mașină-unelă de presare RP 350 Pistol	Mașină unelă de presare RP 351 Inline
Atașamente.....	RIDGID Standard Series	RIDGID Standard Series
Lungimea cursei .....	1.57" (40 mm)	1.57" (40 mm)
Motor		
Tensiune.....	18V DC nominală	18V DC nominală
Intensitate curent.....	23 A	23 A
Putere .....	480 Wați	480 Wați
Forța pistonului.....	7,200 lbs. (32 kN)	7,200 lbs. (32 kN)
Roția capului.....	360°	360°
Ciclul de sarcină.....	3 presări /min	3 presări /min
Alimentare energie electrică.....	Pachet baterii RIDGID RB-18XX Series 18V (Vezi secțiunea Echipamente opționale)	Li-Ion sau Adaptor alimentare RIDGID RPA 120/220 AC
Raza de acțiune Bluetooth .....	33 ft. (10 m)	33 ft. (10 m)
Umiditate admisibilă .....	80% maximum	80% maximum
Domeniul temperaturii de funcționare .....	15° F până la 122° F (-10° C până la 50° C)	15° F până la 122° F (-10° C până la 50° C)
Domeniul temperaturii de depozitare .....	32° F până la 113° F (0° C până la 45° C)	32° F până la 113° F (0° C până la 45° C)
Greutatea (fără baterie/atașament) .....	7.83 lbs (3,55 kg)	7.83 lbs (3,55 kg)
Dimensiuni .....	11.3" x 11.0" x 3.1" 287 mm x 279 mm x 77 mm	15.7" x 4.65" x 3.1" 398 mm x 118 mm x 77 mm
Presiunea sonoră (L <sub>PA</sub> )* .....	<74,5 dB(A), K=3 dB(A)	<74,5 dB(A), K=3 dB(A)
Vibrații*.....	<1,13 m/s <sup>2</sup> , K=1,5	<1,13 m/s <sup>2</sup> , K=1,5

\* Măsurătorile de sunet și vibrații sunt efectuate în conformitate cu un test standardizat prin Standardul EN 62481-1.

- Nivelurile de vibrații pot fi utilizate pentru comparare cu alte unelte și pentru evaluarea preliminară a expunerii.

- Emisiile sonore și de vibrații pot să varieze cu localizarea și utilizarea specifică a acestor unelte.

- Nivelurile de expunere zilnică pentru sunet și vibrații trebuie evaluate pentru fiecare aplicație și trebuie adoptate măsuri corespunzătoare de siguranță atunci când este necesar. Evaluarea nivelurilor de expunere trebuie să considere timpul în care unelă este deconectată și nu este utilizată. Acesta poate reduce semnificativ nivelul de expunere pe toată perioada de lucru.

## Echipament standard

Consultați catalogul RIDGID pentru detalii privind echipamentul furnizat cu numerele de catalog specifice mașinii-unelte.

NOTĂ! Atașamentele mașinilor-unelte de presare RIDGID sunt oferite în două „series” (serii)

- Standard Series
- Compact Series

Aceste serii de atașamente nu sunt interschimbabile. Atașamentele din seria Standard funcționează numai cu mașini-unelte din seria Standard (RP 350, RP 351, RP 342-XL, RP 340, RP 330, 320-E, CT-400). Atașamentele din seria Compact funcționează numai cu mașini-unelte din seria Compact (RP 240, RP 241, RP 200, RP 210, 100B).

**NOTĂ** Selecția materialelor adecvate și a metodelor de îmbinare este responsabilitatea proiectantului sistemului și/sau a instalatorului. Înainte de a încerca orice montaj, evaluați cu atenție mediul de lucru specific, inclusiv mediul chimic și temperatura de lucru. Consultați producătorul sistemelor de fitinguri presate pentru informații de selectare.

## Inspecția înainte de utilizare

### AVERTIZARE



**Zilnic, înaintea fiecărei utilizări verificați mașina-unelă de presare și remediați orice problemă pentru a reduce riscul de vătămare gravă prin electrocutare, strivire, defectarea atașamentelor sau alte cauze și pentru a preveni deteriorarea mașinii-unelte.**

1. Deconectați mașina-unelă și scoateți bateria/adaptorul AC din mașina-unelă.
2. Curățați orice rest de ulei, vaselină sau murdărie de pe echipament, în special mânerul și comenzile. Aceasta facilitează inspecția și ajută la prevenirea alunecării din prindere a unelții sau comenzilor.
3. Examinați mașina-unelă de presare dacă prezintă:
  - Asamblarea corectă, întreținerea și completitudinea.
  - Orice piesă ruptă, uzată, lipsă, nealinată sau gripată. Asigurați-vă că chingile textile sunt în stare perfectă.



- Îndepărtarea lină a știftului de montaj al atașamentului între pozițiile complet deschis și complet închis. Știftul trebuie să blocheze în fiecare poziție. Asigurați-vă că întrerupătorul de activare se mișcă liber și nu se îndoaie sau se blochează.
- Prezența și lizibilitatea etichetei de avertizare (vezi Figura 6).
- Orice altă stare care ar putea împiedica exploatarea normală și în condiții de siguranță.

Nu folosiți mașina-uneltă de presare înainte de a fi reparat orice problemă.

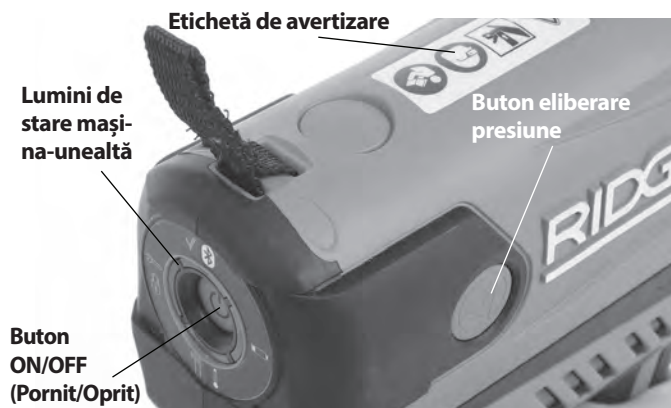


Figura 6 - Lumini de stare/Etichetă de avertizare

4. Examinați și întrețineți atașamentele mașinii-unelte conform instrucțiunilor. Îndepărtați atașamentele de pe mașina-uneltă. Asigurați-vă că atașamentele sunt în stare bună și vizibil marcate pentru utilizare.
5. Examinați și întrețineți orice alt echipament utilizat conform instrucțiunilor sale, pentru a asigura corectă lui funcționare.

## Inițializare și exploatare

### ⚠ AVERTIZARE



Feriți degetele și mâinile de atașamentul mașinii-unelte în timpul ciclului de presare.

Degetele sau mâinile dumneavoastră pot fi strivite, fracturate sau amputate în atașament, mașina-uneltă, între capul mașinii-unelte și atașament, piesa de prelucrat și alte obiecte.

În timpul utilizării produsului sunt generate forțe mari care pot rupe sau proiecta piese și să cauzeze vătămări. Stați la distanță în timpul utilizării și purtați echipament de protecție corespunzător, inclusiv protecție pentru ochi.

**Utilizați combinațiile corespunzătoare de mașina-uneltă, atașament și fitting. Combinațiile necorespunzătoare pot cauza un racord presat incomplet, care mărește riscul de scurgeri, deteriorare a echipamentului și vătămare.**

**Respectați instrucțiunile de inițializare și operare pentru a diminua riscul de vătămare prin strivire și alte cauze și pentru a preveni deteriorarea mașinii-unelte.**

1. Asigurați-vă că zona de lucru este în ordine (Vezi Avertizări generale de siguranță pentru mașini-unelte electrice). Utilizați mașina într-o locație degajată, plană, stabilă și uscată. Nu utilizați mașina-uneltă stând în apă.
2. Examinați lucrarea care trebuie efectuată și determinați mașina-uneltă RIDGID și atașamentul RIDGID corecte pentru aplicație conform specificațiilor. Utilizarea unui echipament incorect pentru o aplicație poate cauza vătămări, deteriorarea mașinii-unelte și realizarea unor conexiuni incomplete.
3. Asigurați-vă că toate echipamentele sunt inspectate și instalate conform instrucțiunilor proprii.

## Demontarea/Montarea atașamentului

1. Deconectați mașina-uneltă și scoateți bateria/adaptorul AC din mașina-uneltă.
2. Deschideți complet știftul de montaj al atașamentului. Demontați/montați atașamentul corespunzător (Figura 7).
3. Închideți complet știftul monturii atașamentului până se blochează în poziția închisă. Știftul monturii atașamentului trebuie să fie complet închis pentru a preveni deteriorarea mașinii-unelte în timpul utilizării. Luminile mașinii-unelte se aprind pentru a indica, vezi Figura 5 pentru Luminile de stare ale mașinii-unelte.

NOTĂ! Nu operați mașina-uneltă fără atașament în poziție, aceasta poate deteriora mașina-uneltă.



Figura 7 – Știft montaj atașament

## Pregătirea racordului

**NOTĂ** Aceste instrucțiuni sunt practici generalizate pentru diferite tipuri de atașamente de mașini-unelte de presare. Respectați întotdeauna instrucțiunile specifice pentru atașamentele mașinii-unelte de presare care sunt utilizate și instrucțiunile specifice de instalare ale producătorului fittingurilor pentru a reduce riscul de executare a unor racorduri presate necorespunzătoare și de pagube materiale extinse.

1. Pregătiți racordul presat conform instrucțiunilor producătorului fittingurilor.
2. Cu mâinile uscate, introduceți o baterie complet încărcată sau un adaptor AC în mașina-unealtă. Dacă folosiți adaptorul alimentat prin cablu cu întrerupător de siguranță GFCI, GFCI (RCD) trebuie să aibă un curent rezidual de declanșare nominal de 30 mA sau mai mic. Apăsăți butonul ON/OFF o dată pentru pornirea (ON) mașinii unelte. Toate LED-urile se aprind verde, ceea ce indică faptul că mașina-unealtă este gata de utilizare. *Vezi Figura 5* – Luminile de stare ale mașinii-unelte pentru orice altă lumină.

## Presarea unui fitting cu fălci foarfece specifice

1. Țineți corect mașina-unealtă cu ambele mâini.



Figura 8 - Prinderea mașinii-unealtă

2. Apăsăți brațele fălcilor pentru a deschide fălcile.
3. Așezați fălcile deschise în jurul fittingului (Figura 9). Aliniați corespunzător profilul de presare al fălcilor cu conturul unui fitting, așa cum este specificat în Instrucțiunile de montare ale producătorului fittingurilor. Eliberați brațele fălcilor pentru a închide fălcile în jurul fittingului. Nu suspendați setul de fălci de fitting. Unealta poate să cadă neașteptat și să provoace vătămare gravă sau deces.



Figura 9 – Așezarea fălcilor tip foarfece în jurul fittingului

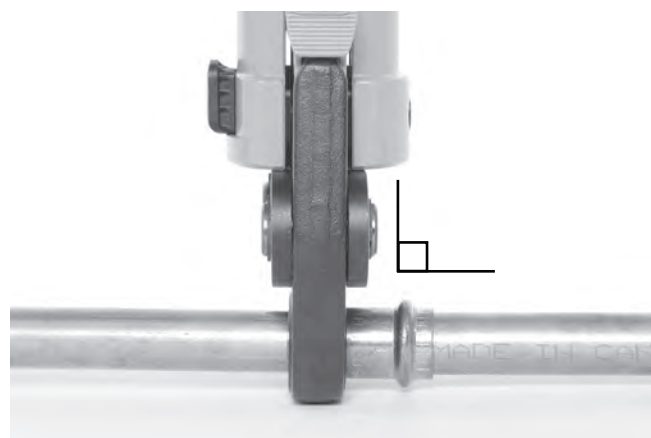


Figura 10 – Fălcile perpendiculare pe fitting

4. Asigurați-vă ca falca să fie așezată corespunzător și perpendicular pe fitting (Figura 10). Feriți degetele și mâinile de fălci, pentru a evita vătămarea prin strivire în fălci sau între fălci și elementele înconjurătoare.

**Modul Normal:** Apăsăți întrerupătorul de activare (Figurile 1 & 2). Odată ce unealta începe ciclul și rolele contactează brațele bacurilor, unealta se blochează și finalizează automat ciclul. Eliberarea întrerupătorului nu oprește unealta odată blocată. În acest fel se asigură integritatea uniformă și repetabilă a racordului presat.

**Modul Control:** Apăsăți întrerupătorul de activare (Figurile 1 & 2). Fălcile se angajează pe fitting, dar nu se execută presarea racordului. Efectuați ajustările necesare. Apăsăți din nou întrerupătorul de activare, mașina-unealtă se blochează și finalizează automat ciclul. Eliberarea întrerupătorului nu oprește unealta odată blocată. În acest fel se asigură integritatea uniformă și repetabilă a racordului presat.

Dacă mașina-unealtă trebuie îndepărtată înainte de finalizarea racordului presat, apăsați butonul de eliberare a presării (Figurile 1 & 2).

**NOTĂ** Întotdeauna când este apăsat butonul de eliberare, racordul presat NU este finalizat și fittingul trebuie presat din nou pentru asigurarea finalizării. Dacă unealta funcționează defectuos în timpul operației, folosiți această procedură.

5. Eliberați întrerupătorul Run (Operare).
6. Apăsați brațele fălcilor pentru a deschide fălcile.
7. Îndepărtați falca de pe fitting. Evitați muchiile ascuțite care pot să se fi format pe fitting în cursul operației de presare.
8. Când operația este finalizată, apăsați butonul ON/OFF (Pornit/Oprit) o singură dată pentru a deconecta mașina-unealtă – OFF (Oprit). Scoateți bateria sau adaptorul AC din mașina-unealtă.

### Presarea unui fitting cu actuatorul tipic și setul de inele de presare

1. Deschideți inelul și îl așezați în jurul fittingului. Aliniați corespunzător profilul de presare cu conturul unui fitting, așa cum este specificat în *Instrucțiunile de montare ale producătorului fittingurilor*. Eliberați inelul pentru a se închide în jurul fittingului (Figura 11).
2. Asigurați-vă ca actuatorul adecvat să fie montat corect în unealtă. Strângeți brațele actuatorului pentru a deschide vârfurile actuatorului. Aliniați vârfurile actuatorului cu buzunarele inelului. Eliberați brațele actuatorului și angajați complet vârfurile actuatorului în buzunarele inelului (Figura 12). Vârfurile actuatorului greșit aliniate cu buzunarele inelului pot deteriora inelul sau actuatorul în timpul presării. Nu suspendați unealta și actuatorul de inelul de presare. Unealta poate să cadă neașteptat și să provoace vătămare gravă sau deces.



**Figura 11 – Montarea inelului de presare pe fitting**



**Figura 12 – Atașarea actuatorului la inelul de presare**

3. Verificați inelul să fie așezat corespunzător și perpendicular pe fitting. Feriți degetele și mâinile de actuator și inel, pentru a evita vătămarea prin strivire în atașament sau între atașament și elementele înconjurătoare.

**Modul Normal:** Apăsați întrerupătorul de activare (Figurile 1 & 2). Odată ce unealta începe ciclul și roțile contactează brațele bacurilor, unealta se blochează și finalizează automat ciclul. Eliberarea întrerupătorului nu oprește unealta odată blocată. În acest fel se asigură integritatea uniformă și repetabilă a racordului presat.

**Modul Control:** Apăsați întrerupătorul de activare (Figurile 1 & 2). Fălcile se angajează pe fitting, dar nu se execută presarea racordului. Efectuați ajustările necesare. Apăsați din nou întrerupătorul de activare, mașina-unealtă se blochează și finalizează automat ciclul. Eliberarea întrerupătorului nu oprește unealta odată blocată. În acest fel se asigură integritatea uniformă și repetabilă a racordului presat.

4. Dacă mașina-unealtă trebuie îndepărtată înainte de finalizarea racordului presat, apăsați butonul de eliberare a presării (Figurile 1 & 2).

**NOTĂ** Întotdeauna când este apăsat butonul de eliberare, presarea NU este finalizată și racordul trebuie presat din nou pentru asigurarea finalizării. Dacă unealta funcționează defectuos în timpul operației, folosiți această procedură.

5. Eliberați întrerupătorul Run (Operare).
6. Strângeți brațele actuatorului pentru a deschide actuatorul. Îndepărtați actuatorul de pe fitting.
7. Îndepărtați inelul de pe fitting. Evitați muchiile ascuțite care pot să se fi format pe fitting în cursul operației de presare.
8. Când operația este finalizată, apăsați butonul ON/OFF (Pornit/Oprit) o singură dată pentru a deconecta mașina-unealtă – OFF (Oprit). Scoateți bateria sau adaptorul AC din mașina-unealtă.

## Examinarea racordului presat

1. Examinați fittingul presat pentru:
  - Inserare completă a țevii în fitting.
  - Dezaliniere excesivă a țevilor. O dezaliniere ușoară la un racord presat este considerată normală.
  - Aliniere incorectă a atașamentului cu conturul fittingului. Fitting distorsionat sau deformat.
  - Orice alte probleme conform producătorului fittingurilor. Aceasta poate include îndepărtarea unui inel de control sau a unui autocolant (utilizat pentru a indica faptul că racordul încă nu a fost presat corect).

Dacă se constată probleme, îndepărtați fittingul și montați un racord presat nou.
2. Testați racordul presat în conformitate cu instrucțiunile producătorului racordului, practica normală și standardele aplicabile.

## Funcții Bluetooth (Transfer de date fără fir)

Mașinile-unelte de presare RIDGID® RP 350 și RP 351 Press Tools includ tehnologia Bluetooth® wireless care permite transferul datelor fără fir la telefoane mobile echipate corespunzător sau tablete ("aparate") care rulează sisteme de operare iOS sau Android.

1. Descărcați aplicația corespunzătoare RIDGID® Link app pe aparatul dumneavoastră prin accesarea RIDGID.com/apps, Google Play Store sau Apple App Store.
2. Când mașina-unealtă este ON (Pornit), un aparat echipat cu tehnologia Bluetooth wireless poate găsi și se poate împerechea cu mașina-unealtă de presare. În setările Bluetooth ale aparatului dumneavoastră, selectați mașina-unealtă RIDGID dorită. Consultați instrucțiunile aparatului dumneavoastră pentru informații specifice privind conectarea prin tehnologia Bluetooth fără fir. Odată conectat, se aprind luminile de stare ale mașinii-unelte verde-albastru-albastru-albastru. După împerecherea inițială, majoritatea aparatelor se conectează automat la mașinile-unelte când tehnologia Bluetooth fără fir este activă și în domeniu și dacă setările aparatului sunt configurate pentru aceasta. Mașinile-unelte trebuie să fie la mai puțin de 33 ft. (10 m) de aparat pentru a fi detectate. Orice obstacol între mașina-unealtă și aparat poate reduce raza de acțiune.
3. Respectați instrucțiunile aplicației pentru utilizare corespunzătoare. Modul de operare poate fi schimbat prin aplicație. Aplicația permite de asemenea monitorizarea ciclurilor mașinii-unelte.
4. Transferul de date fără fir se dezactivează – OFF când mașina-unealtă de presare este deconectată – OFF. Dezactivați – OFF aparatul Bluetooth fără fir pentru a diminua scurgerea bateriei aparatului.

## Operarea pe vreme rece

Pe măsură ce temperatura scade, fluidul hidraulic devine mai vâscos și se degradează performanța bateriei. Pentru a reduce riscurile de operare necorespunzătoare, nu este permis ca RP 350 și RP 351 să opereze în afara domeniului de temperatură specificat, așa cum este indicat prin luminile de stare ale mașinii (Figura 5).

Când condițiile ambiante sunt în afara domeniului de temperatură specificat, mențineți mașina-unealtă și bateriile într-un spațiu condiționat până este gata de utilizare.

## Depozitare

Scoateți bateria sau adaptorul AC din mașina-unealtă de presare. Depozitați mașina-unealtă de presare și bateria în cutie. Evitați depozitarea la căldură sau frig extreme. Mașina-unealtă nu pornește – ON dacă mașina-unealtă se află în afara domeniului specificat. Aceasta este indicată prin luminile de stare ale mașinii-unelte. (Vezi figura 5)

**⚠ AVERTIZARE** Depozitați mașina-unealtă într-o zonă uscată, asigurată, încuiată și ferită de accesul copiilor și a persoanelor nefamiliarizate cu mașina-unealtă de presare. Unealta este periculoasă în mâinile utilizatorilor neinstruiți.

## Instrucțiuni de întreținere

### ⚠ AVERTIZARE

**Asigurați-vă că mașina-unealtă este deconectată – OFF și bateria sau adaptorul AC sunt scoase din mașina-unealtă înainte de a efectua lucrări de întreținere sau orice reglaje.**

## Curățare și lubrifiere

1. Curățați unealta zilnic prin ștergere cu o lavetă curată uscată.
2. Examinați știftul de montaj al atașamentului și lubrifiați știftul cu lubrifianț pe bază de silicon, după cum este necesar.
3. Verificați arcurile de rapel în atașamente la fiecare utilizare. Atașamentele trebuie să se deschidă și să se închidă liber numai cu un efort moderat al degetelor.

## Service și reparații

### ⚠ AVERTIZARE

**Un service sau o reparație incorect executate pot face mașina-unealtă nesigură pentru utilizare.**

Activitățile de service și reparare la mașinile-unelte de presare RP 350 și RP 351 trebuie efectuate de către un Centru autorizat de service pentru mașini de presare RIDGID.

Pentru informații privind cel mai apropiat Centru independent de service autorizat RIDGID sau orice întrebări referitoare la service sau reparații vezi secțiunea *Informații contact* în acest manual.



## Depanare

SIMPTOM	CAUZE POSIBILE	REZOLVARE
<b>Mașina unealtă nu pornește – ON când butonul On/Off (pornit/oprit) este apăsat</b>	Bateria este descărcată complet sau bateria s-a defectat. Bateria nu este introdusă corect în mânerul mașinii-unelte Adaptorul AC nu este inserat corect în mașina-unealtă.	Introduceți bateria complet încărcată/reîncărcată. Verificați să vă asigurați că bateria este complet introdusă. Inserați corect adaptorul AC în mașina-unealtă.
<b>Atașamentul blocat în fitting.</b>	Racordul presat nu s-a finalizat cu succes.	Apăsați butonul de eliberare a presiunii pentru a îndepărta fălcile de pe fitting. Examinați și presați din nou fittingul.
<b>Racordurile presate executate nu sunt finalizate.</b>	S-au folosit fălci nepotrivite pentru dimensiunea țevii sau material. Mașina-unealtă nu a fost poziționată perpendicular față de țevă. Conturul de presare al atașamentului nu a fost aliniat cu conturul fittingului. Mașina-unealtă necesită reparații.	Montați atașamentul corect. Refaceți racordul presat cu fitting nou și țevă nouă. Asigurați-vă ca unealta este poziționată perpendicular pe țevă. Refaceți îmbinarea cu fitting nou și țevă nouă. Asigurați-vă că conturul de presare al atașamentului este aliniat cu conturul fittingului. Prezentați la service.
<b>Se scurge ulei din mașina-unealtă.</b>	Probleme de etanșare sau mecanice.	
<b>Motorul funcționează dar mașina-unealtă nu finalizează un ciclu.</b>	Nivel scăzut de ulei.	Prezentați la service.
<b>Mașina-unealtă se oprește în timpul operării.</b>	Nivel scăzut de ulei.	

Vezi figura 5 – Lumini de stare mașina-unealtă

## Echipamente optionale

### ⚠ AVERTIZARE

Pentru a reduce riscul de vătămare utilizați numai echipamentele proiectate special și recomandate pentru utilizare cu mașinile-unelte de presare RP 350 și RP 351 Press Tools, cum sunt cele listate mai jos.

### Pachete baterii și adaptoare

Nr. catalog	Descriere
56513	Baterie Litiu-Ion RB-1825 18V 2.5 Ah
56518	Baterie Litiu-Ion RB-1850 18V 5.0 Ah
44468	Adaptor alimentare AC 120 – America de Nord
43338	Adaptor alimentare AC 220 – Europa
44823	Adaptor alimentare AC 120 – China

## Încărcătoare și cabluri

Nr. catalog		Regiune	Tip ștecher
64383	Încărcător RBC-30	America de Nord	A
56523	Încărcător RBC-30	Europa	C
64388	Încărcător RBC-30	China	A
64393	Încărcător RBC-30	Australia	I
64378	Încărcător RBC-30	Japonia	A
64398	Încărcător RBC-30	Marea Britanie	G
64173	Cablu încărcător RBC-30	America de Nord	A
64183	Cablu încărcător RBC-30	Europa	C



Pentru o listă completă a echipamentelor RIDGID disponibile pentru aceste mașini-unelte, consultați catalogul online Ridge Tool accesând [RIDGID.com](http://RIDGID.com) sau *datele de contact*.

## Dezafectare

Componentele acestor scule conțin materiale valoroase și pot fi reciclate. Există companii specializate în reciclare care pot avea reprezentanțe locale. Dezafecțați componentele în conformitate cu toate reglementările în vigoare. Pentru informații suplimentare contactați autoritățile locale de gestionare a deșeurilor.



**Pentru țările CE:** nu aruncați echipamentele electrice împreună cu deșeurile menajere!

În conformitate cu Directiva Europeană 2012/19/UE privind deșeurile de echipamente electrice și electronice, și implementarea acesteia în legislația națională, echipamentele electrice care nu mai pot fi folosite trebuie colectate

și reciclate într-un mod nepoluant.

## Compatibilitate electromagnetică (EMC)

Termenul de compatibilitate electromagnetică înseamnă capacitatea unui produs de a funcționa fără probleme într-un mediu unde sunt prezente radiații și descărcări electromagnetice și electrostatice, și fără a cauza interferențe electromagnetice altor echipamente.

**NOTĂ** Aceste mașini-unelte sunt conforme cu toate standardele EMC aplicabile. Totuși, posibilitatea ca acesta să cauzeze interferențe în alte dispozitive nu poate fi exclusă. Toate standardele referitoare la EMC care au fost aplicate la testare sunt menționate în documentul tehnic al mașinii-unelte.

## Declarația FCC/ICES

Acest aparat este conform cu Partea 15 a regulilor FCC. Operarea este supusă următoarelor două condiții:

1. Acest dispozitiv nu poate produce interferențe dăunătoare.
2. Acest dispozitiv trebuie să accepte orice interferență primită, inclusiv interferența care poate produce funcționarea nedorită.

Modificările care nu sunt aprobate în mod expres de către această firmă pot anula autorizarea utilizatorului de utilizare a echipamentului.

Acest echipament a fost testat și s-a constatat că se încadrează în limitele unui dispozitiv digital de clasa A în conformitate cu partea 15 a Reglementărilor FCC.

Aceste limite sunt destinate asigurării unei protecții rezonabile contra interferențelor dăunătoare când echipamentul este operat într-un mediu comercial. Acest echipament generează, utilizează și poate radia energie de frecvență radio și, dacă nu este instalat și utilizat în conformitate cu manualul cu instrucțiuni, poate cauza o interferență nocivă pentru comunicațiile radio. Operarea acestui echipament într-o zonă rezidențială poate cauza interferențe dăunătoare, caz în care utilizatorul are obligația să corecteze interferențele pe cheltuiala proprie.

Acest produs îndeplinește specificațiile standardului Canadian ICES-003 Class A. *Vezi eticheta declarației pe mașina-uneltă.*

# RP 350/RP 351

## Présszerszámok



### **⚠ FIGYELMEZTETÉS!**

A berendezés használata előtt figyelmesen olvassa el ezt az útmutatót. A figyelmeztetések és utasítások meg nem értése és be nem tartása áramütést, tüzet és/vagy súlyos sérülést okozhat.

#### **RP 350/RP 351 Présszerszámok**

Jegyezze fel és őrizze meg alább a sorozatszámot, melyet az adattáblán talál meg.

Sorozat  
sz.

## Tartalomjegyzék

<b>A berendezés sorozatszámának rögzítésére szolgáló rész</b> .....	239
<b>Tartalomjegyzék</b> .....	240
<b>Biztonsági szimbólumok/Szimbólumok</b> .....	241
<b>A szerszámgépekre vonatkozó általános biztonsági figyelmeztetések</b> .....	241
A munkaterület biztonsága.....	241
Elektromos biztonság.....	241
Személyes biztonság.....	242
A szerszámgép használata és karbantartása.....	242
Az akkumulátor használata és karbantartása.....	242
Szerviz.....	243
<b>Különleges biztonsági információk</b> .....	243
A présszerszámra vonatkozó biztonsági előírások.....	243
<b>A RIDGID® kapcsolattartási információi</b> .....	244
<b>Ismertetés</b> .....	244
<b>Műszaki adatok</b> .....	246
Alapfelszereltség.....	247
<b>Használat előtti ellenőrzés</b> .....	247
<b>Beállítás és üzemeltetés</b> .....	248
Szerelék felszerelése/eltávolítása.....	248
A kötés előkészítése.....	248
Szerelvény préselése tipikus ollós pofákkal.....	249
Csőcsatlakozó sajtolása tipikus működtető elemmel és présgyűrűkészlettel.....	250
Az elkészült kötés vizsgálata.....	250
Bluetooth funkciók (vezeték nélküli adatátvitel).....	251
Üzemeltetés hideg körülmények között.....	251
<b>Tárolás</b> .....	251
<b>Karbantartási útmutató</b> .....	251
Tisztítás és kenés.....	251
<b>Szerviz és javítás</b> .....	251
<b>Hibaelhárítás</b> .....	252
<b>Opcionális felszereltség</b> .....	252
<b>Ártalmatlanítás</b> .....	253
<b>Elektromágneses kompatibilitás (EMC)</b> .....	254
<b>FCC/ICES nyilatkozat</b> .....	254
<b>EK Megfelelőségi nyilatkozat</b> .....	A hátsó borító belső oldalán
<b>Örökgarancia</b> .....	Hátsó borító

\*Eredeti használati utasítás fordítása

## Biztonsági szimbólumok/Szimbólumok

Az üzemeltetési útmutatóban és a terméken szereplő biztonsági szimbólumok és jelzőszavak fontos biztonsági információk közlésére szolgálnak. Ez a rész ezen szimbólumok és jelzőszavak megértését segíti.



Ez a biztonsági figyelmeztető szimbólum. A szimbólum a lehetséges személyi sérülés kockázatára hívja fel a figyelmet. Az esetleges sérülések vagy halál elkerülésének érdekében tartsa be a szimbólumot követő biztonsági üzeneteket.

### ⚠ VESZÉLY

A VESZÉLY szó olyan kockázatos helyzetet jelöl, melyet ha nem kerülnek el, halállal vagy komoly sérülésekkel jár.

### ⚠ FIGYELMEZTETÉS

A FIGYELMEZTETÉS szó olyan kockázatos helyzetet jelöl, melyet ha nem kerülnek el, halállal, vagy komoly sérülésekkel járhat.

### ⚠ VIGYÁZAT

A VIGYÁZAT szó olyan kockázatos helyzetet jelöl, mely kisebb, mérsékelt sérülésekkel járhat.

### MEGJEGYZÉS

A MEGJEGYZÉS szó a vagyontárgyak védelmével kapcsolatos információkat jelöli.



Ez a szimbólum azt jelenti, hogy figyelmesen olvassa el az üzemeltetési útmutatót a készülék használata előtt. A kezelési útmutató fontos információkat tartalmaz a készülék biztonságos és megfelelő használatával kapcsolatban.



Ez a szimbólum azt jelenti, hogy a szemsérülések elkerülésének érdekében mindig viseljen oldalárnyékolóval ellátott védőszemüveget vagy szemvédőt, amikor kezeli vagy használja a készüléket.



Ez a szimbólum annak a veszélyére utal, hogy a kezét, ujját vagy egyéb testrészeit zúzószerű sérülés érheti.



Ez a szimbólum áramütés kockázatát jelöli.



Ez a szimbólum azt jelenti, hogy a termék kizárólag beltéri használatra alkalmas.



Ez a szimbólum azt jelenti, hogy a termék II. kategóriájú berendezés.



Ez a szimbólum mutatja, hogy elektromos berendezésről van szó, melyet nem szabad a háztartási hulladékkal együtt kezelni. *Lásd a "Hulladékkezelés" c. fejezetet.*



E szimbólum jelöli, hogy a jelen elektromos készülék megfelel a vonatkozó EK irányelvek követelményeinek.



E szimbólum jelöli a termék gyártási évét.

## A szerszámgépekre vonatkozó általános biztonsági figyelmeztetések\*

### ⚠ FIGYELMEZTETÉS

**A szerszámgéphez tartozó összes biztonsági figyelmeztetést, útmutatót, ábrát és előírást el kell olvasni. Az alábbi útmutató figyelmen kívül hagyása áramütést, tüzet és/vagy súlyos sérülést eredményezhet.**

### MINDEN FIGYELMEZTETÉST ÉS UTASÍTÁST ŐRIZZEN MEG A KÉSŐBBIEKRE!

A figyelmeztetéseken a „szerszámgép” kifejezés az Ön hálózati áramforrásról működő (vezetékes) vagy akkumulátoros működésű (vezeték nélküli) szerszámgépére vonatkozik.

### A munkaterület biztonsága

- **A munkakörnyezetet tartsa tisztán, és biztosítsa a elegendő megvilágítást.** A zsúfolt vagy sötét helyek vonzzák a baleseteket.

- **Ne működtesse a szerszámgépeket robbanásveszélyes környezetben, például gyúlékony folyadékok, gázok vagy por jelenlétében.** A szerszámgépek szikrái begyűjthetik a porokat és gőzöket.
- **A szerszámgép működtetése során tartsa távol a gyermekeket és az ott tartózkodókat.** Figyelmének elvonása esetén elvesztheti ellenőrzését a készülék fölött.

### Elektromos biztonság

- **A szerszámgép dugaszának illeszkednie kell az aljzatba. Semmilyen módon ne módosítsa a dugaszt. Földelt szerszámgéppel ne használjon csatlakozóadaptert.** Az átalakítás nélküli dugók és a hozzájuk illő aljzatok használata csökkenti az áramütés veszélyét.
- **Kerülje a testelt vagy földelt felületek, például csövek, fűtőtestek, tűzhelyek és hűtők érintését.** Ezekben az esetekben, ha az Ön teste testelt vagy földelt, nagyobb az áramütés veszélye.

\* A jelen kézikönyv Szerszámgépekre vonatkozó általános biztonsági figyelmeztetések c. fejezetében leírt szöveg az előírásoknak megfelelően az UL/CSA 62841-1 kiadású szabvány szó szerinti kivonata. E fejezet számos különböző típusú szerszámgéphez tartalmaz általános biztonsági gyakorlatokat. Nem mindegyik óvintézkedés vonatkozik mindegyik szerszámra; egyes leírt óvintézkedések esetleg erre a szerszámra nem vonatkoznak.



- **Óvja a szerszámgépeket az eső vagy nedvesség hatásától.** A gépbe jutó víz növeli az áramütés kockázatát.
- **A csatlakozózsínort kíméletesen használja. Soha ne hordozza, húzza vagy áramtalanítsa a szerszámgépet a zsínort fogva, illetve húzva. Óvja a zsínort a melegtől, olajtól, élektől és mozgó alkatrészekről.** A sérült, ill. beakadt vezeték megnöveli az áramütés kockázatát.
- **Ha a szerszámgépet a szabadban használja, kültéri használatra szolgáló hosszabbítózsínort alkalmazzon.** A kültéri használatra engedélyezett hosszabbító használata csökkenti az áramütés veszélyét.
- **Ha a szerszámgépet feltétlenül nedves helyen kell használni, hibaáram-védőkapcsolóval (GFCI) védett tápot alkalmazzon.** A hibaáram-védőkapcsoló használatával csökkenthető az áramütés kockázata.

## Személyes biztonság

- **Legyen elővigyázatos, figyeljen oda a munkára, és megfontoltan használja a szerszámgépet. Ne használja a gépet fáradtan, illetve gyógyszer, alkohol vagy kábítószer hatása alatt.** A szerszámgépek működése során egy pillanatnyi figyelmetlenség is súlyos személyi sérülést okozhat.
- **Használjon személyi védőfelszerelést. Mindig viseljen szemvédőt.** A körülményeknek megfelelő védőfelszerelés, például porszűrő maszk, csúszásmentes biztonsági lábbeli, védősisak vagy fülvédő használatával csökkenthető a személyi sérülés kockázata.
- **Akadályozza meg a véletlen beindítást. Mielőtt a szerszámgépet az áramforráshoz és/vagy akkuhoz csatlakoztatná, felvenné, ill. szállítaná, mindig ellenőrizze, hogy a kapcsoló OFF (Ki) állásban van-e.** Ha a szerszámgépeket úgy szállítja, hogy ujja a kapcsolón van, ill. bekapcsolt kapcsolójú szerszámgépet köt be a hálózatba, az minden esetben balesetveszélyes.
- **Távolítson el minden beállítókulcsot a szerszámgép bekapcsolása előtt.** Ha a szerszámgép egy forgó alkatrészén rajta marad egy kulcs, az személyi sérüléshez vezethet.
- **Ne végezzen munkát veszélyesen kinyújtózott helyzetben. Mindig stabilan álljon, és ügyeljen az egyensúlyára.** Így váratlan helyzetben könnyebben megőrizheti uralmát a szerszámgép fölött.
- **Legyen megfelelő az öltözéke. Ne viseljen laza ruhát vagy ékszert. Tartsa távol a mozgó alkatrészekről a haját, ruháját és kesztyűjét.** A laza ruházatot, ékszereket vagy hosszú hajat bekaphatják a mozgó alkatrészek.
- **Ha csatlakoztathatók porelszívó és -gyűjtő berendezések, akkor gondoskodjon ezek megfelelő csatlakoztatásáról és használatáról.** Porgyűjtés alkalmazásával csökkenthető a porral kapcsolatos veszélyek.

- **Ne hagyja, hogy a gyakori szerszámhasználat adta tájékozottság elbizakodottságra, ill. a szerszámok biztonsági elveinek figyelmen kívül hagyására adjon okot.** Az óvatlanság miatt a másodperc törtrésze alatt súlyos személyi sérülés keletkezhet.

## A szerszámgép használata és karbantartása

- **Ne erőltesse túl a szerszámgépet. Mindig a feladatnak megfelelő szerszámgépet használja.** A megfelelő szerszámgéppel jobban, biztonságosabban végezhető el a munka, és a készülék a tervezett sebességgel fog működni.
- **Ne használja a szerszámgépet, ha az a kapcsolóval nem kapcsolható BE vagy KI.** A kapcsoló segítségével nem vezérelhető szerszámgép veszélyes, és javításra szorul.
- **Mielőtt bármilyen beállítást végezne, kiegészítőt cserélne, vagy eltenné a szerszámgépet, húzza ki annak dugaszát az elektromos aljzatból, illetve válassza le az akkumulátort.** Az ilyen megelőző biztonsági intézkedésekkel csökkenthető a szerszámgép véletlen beindításának veszélye.
- **A használaton kívüli szerszámgépet gyermekek elől elzárt helyen tartsa. Ne engedje, hogy olyan személy használja a berendezést, aki nem ismeri jól azt, vagy a jelen útmutatót.** Gyakorlatlan felhasználó kezében a szerszámgépek veszélyesek lehetnek.
- **Tartsa karban a szerszámgépeket. Ellenőrizze, jól igazodnak-e a mozgó alkatrészek, semmi sem akadályozza-e a mozgásukat, nincsenek-e eltörve az egyes alkatrészek, és ellenőrizzen minden olyan további körülményt, amely befolyásolhatja a szerszámgép működését. A sérült szerszámgépet javíttassa meg, mielőtt használná.** Sok baleset a nem megfelelően karbantartott szerszámgépek okoznak.
- **A vágóeszközöket tartsa élesen és tisztán.** A megfelelően karbantartott, éles vágóélű vágóeszközök kisebb valószínűséggel akadnak el, és könnyebb velük dolgozni.
- **A szerszámgépet, a kiegészítőket, a betétkéseket stb. a jelen használati útmutatónak megfelelően használja, figyelembe véve a munkakörülményeket és az elvégzendő munka jellegét.** A szerszámgépnek a tervezettől eltérő alkalmazása veszélyes helyzetet eredményezhet.
- **A fogantyúkat tartsa szárazon, tisztán, valamint olaj- és zsírmentesen.** Ha a fogantyúk, ill. a megfogófelületek csúszósak, akkor a használat nem lehet biztonságos, és váratlan helyzetekben megszűnhet a szerszám feletti uralom.

## Az akkumulátor használata és karbantartása

- **Kizárólag a gyártó jóváhagyásával rendelkező töltőt használja.** Adott típusú akkumulátorhoz tervezett töltő tűzveszélyt okozhat, ha más típusú akkumulátorhoz használják.

- **A szerszámgépeket csak a kifejezetten hozzájuk tervezett akkumulátorral használja.** Bármilyen más akkumulátor használata sérülést vagy tüzet okozhat.
- **Amikor az akkumulátort nem használja, tartsa azt távol olyan fémtárgyaktól, mint az iratkapcsok, érmék, kulcsok, szegek, csavarok vagy más kisméretű fémtárgyak, amelyek összeköthetik a két érintkezőt.** Az akkumulátor érintkezőinek rövidre zárása égést vagy tüzet okozhat.
- **Helytelen kezelés esetén folyadék folyhat ki az akkumulátorból; kerülje az érintkezést a folyadékkal. Ha véletlenül mégis érintkezésbe kerülne a folyadékkal, mossa le vízzel. Ha a folyadék szembe kerül, forduljon orvoshoz.** Az akkumulátorból kifolyt folyadék irritációt és égési sérülést okozhat.
- **Sérült, ill. átalakított akkumulátort és szerszámot tilos használni.** A sérült, ill. átalakított akkumulátorok kiszámíthatatlanul viselkedhetnek, ami tüzet, robbanást, ill. személyi sérülést okozhat.
- **Az akkumulátort és a szerszámgépet ne tegye ki tűznek, ill. túl magas hőmérsékletnek.** A tűz, ill. a 265 °F (130 °C) feletti hőmérséklet ugyanis robbanást okozhat.
- **Minden töltési útmutatást be kell tartani. Az akkumulátorokat és a szerszámgépet nem szabad az útmutatóban megadott tartományon kívüli hőmérsékleten tölteni.** Nem megfelelő, ill. az előírt tartományon kívüli hőmérsékleten történő töltés esetén az akkumulátor károsodhat, és a tűzveszély is fokozódik.

## Szerviz

- **A szerszámgép javítását bízza képzett javító szakemberre, akinek az eredetivel azonos cserealkatrészeket kell használnia.** Ezzel biztosítható a szerszámgép biztonságának fenntartása.

## Különleges biztonsági információk

### ▲ FIGYELMEZTETÉS

**Ez a rész kizárólag a jelen szerszámgépére vonatkozó biztonsági információkat tartalmaz.**

**Az áramütés és egyéb súlyos sérülések kockázatának csökkentése érdekében a présszerszám használata előtt alaposan olvassa el ezeket az információkat.**

### MINDEN FIGYELMEZTETÉST ÉS UTASÍTÁST ŐRIZZEN MEG A KÉSŐBBIEKRE!

A szerszám hordtáskájában helyet alakítottak ki az útmutató számára. Az útmutatót ebben kell tárolni, hogy az mindig elérhető legyen a kezelő számára.

## A présszerszámra vonatkozó biztonsági előírások

- **Ujját, kezét a préselési ciklus során tartsa távol a prészerelékektől.** Ha ujjá vagy keze beakad a szerelések, ill. az alkatrészek és egyéb tárgyak közé, az zúzódásos, töréses sérülést, sőt, amputálódást okozhat.
  - **A sérült prészerelékek (pofák, présgyűrű, működtető elem stb.) javításának megkísérlése szigorúan tilos. A sérült szerelékkel teljes egészében le kell selejtezni.** Az olyan alkatrész, amelyen hegesztést, köszörülést, fúrást vagy egyéb átalakítást végeztek, préselés közben széttörhet, és súlyos személyi sérülést okozhat. Ha nem cserélik ki a teljes prészerelékkel, az a részegység meghibásodásával és súlyos személyi sérüléssel járhat.
  - **A termék használata során nagy erők generálódnak, amelyek eltörhetnek, ill. kivethetnek alkatrészeket, sérülést okozva ezzel.** Használat közben maradjon távol az eszköztől, és viseljen személyi védőfelszerelést, melynek része a megfelelő szemvédelem is.
  - **Kizárólag RIDGID® présszerszámokat és hozzájuk tartozó RIDGID, ill. a RIDGID által jóváhagyott prészerelékeket (pofák, présgyűrűk, működtető elemek stb.) szabad használni.** Az eltérő felhasználás, ill. a présszerszám átalakítása károsíthatja a présszerszámot és a szereléseket, és/vagy személyi sérülést okozhat.
  - **A szerszám, a szerelék és a csőcsatlakozó megfelelő kombinációját kell használni.** Ha a kombináció nem megfelelő, akkor a kötés tökéletlen lesz, ami növeli a szivárgás, a berendezés károsodása és a személyi sérülés veszélyét.
  - **A RIDGID® présszerszámok működtetése előtt el kell olvasni és értelmezni kell a következőket:**
    - A jelen kezelési útmutatót
    - A tartozékokra vonatkozó utasításokat
    - Az akku/töltő útmutatóját
    - A szerelvény gyártója által biztosított felszerelési útmutatásokat
    - A szerszámmal együtt használt egyéb berendezések útmutatóit vagy egyéb dokumentációit.
- Ha nem tartja be az összes figyelmeztetést és útmutatást, az anyagi kárhoz, illetve súlyos személyi sérüléshez vezethet.

## A RIDGID® kapcsolattartási információi

Ha kérdései vannak ezzel a RIDGID® termékkel kapcsolatban:

- Lépjen kapcsolatba a helyi RIDGID-forgalmazóval.
- Látogasson el a RIDGID.com címre, és keresse meg az Ön esetében illetékes RIDGID kapcsolattartási pontot.
- Forduljon a Ridge Tool műszaki szolgáltatási részlegéhez az [rtctechservices@emerson.com](mailto:rtctechservices@emerson.com) címen, illetve az USA-ban és Kanadában a (800) 519-3456 számon.

## Ismertetés

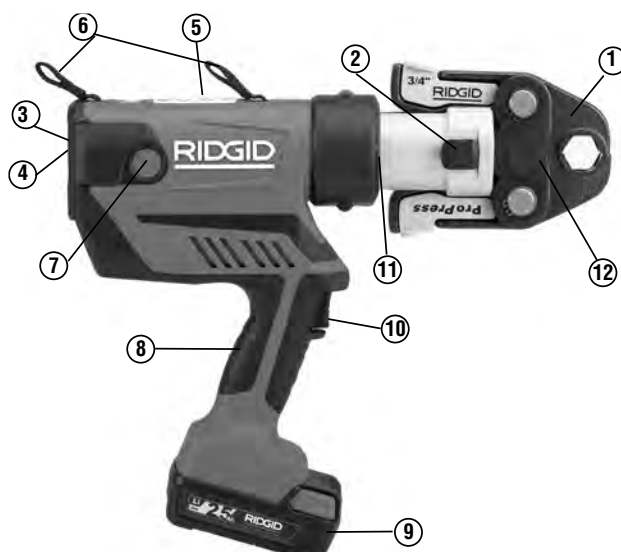
A RIDGID® RP 350 és RP 351 présszerszámok a megfelelő szerelékkel használva csőcsatlakozók csövekre történő felsajtolására alkalmasak, és vízzáró, maradandó tömítettséget lehet velük létrehozni többek között víz-, fűtés-, légkondicionáló- és hűtésszerelési munkálatoknál. Egyéb felhasználásokra is léteznek szerelékek.

A présszerszám működtető kapcsolójának lenyomásakor egy belső villamos motor elindít egy hidraulikus szivattyút, amely folyadékot továbbít a szerszám munkahengerébe, így annak dugattyúja előre felé mozdulva erőt fejt ki a szerelékre: a csőcsatlakozó összepréselődik. A préselési ciklus kb. 4 másodpercet vesz igénybe. Ha a ciklus megkezdte a csőcsatlakozó alakítását, attól kezdve automatikusan teljesen végbemegy, akkor is, ha a működtető kapcsolót elengedik.

A szerszámnak van egy másik üzemmódja ("Ellenőrzési üzemmód") is, amely a RIDGID Link alkalmazással kapcsolható be. Az Ellenőrzési üzemmódban a csőcsatlakozó préselés előtt kipróbálható, így ellenőrizni lehet, hogy a szerelék, a csőcsatlakozó és a cső egymáshoz igazítása megfelelő-e.

A szerszám állapotjelző lámpái különféle jellemzőkről adnak visszajelzést. Ilyen pl. a szerszám állapota, az akku állapota, ha esetleg karbantartás szükséges, ill. a nem megfelelő hőmérséklet. Ha a működtető kapcsolót lenyomják, kigyullad egy munkalámpa, megvilágítva a munkaterületet. A fej 360°-ban elforgatható, így szűk helyekhez is jó a hozzáférés.

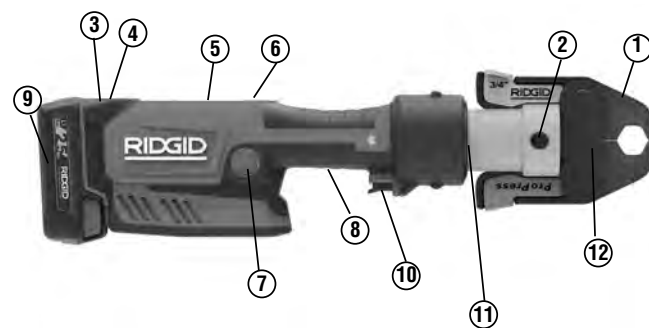
A szerszámokat szövethurokkal láttuk el, amely a megfelelő kiegészítővel, például vállpántokkal vagy szerszámrögzítővel használható.



**1. ábra – RIDGID RP 350 présszerszám alapsorozatú szorítópofákkal**

A présszerszámok Bluetooth®\* vezeték nélküli technológiával vannak ellátva, amellyel okostelefonokhoz, táblagépekhez csatlakoztathatók. *Részletekért lásd a "Bluetooth funkciók (Vezeték nélküli adattovábbítás)" fejezetet.*

\* A Bluetooth® szó és logók a Bluetooth SIG, inc cég bejegyzett védjegyei, és e védjegyek Emerson Electric Co. általi használata licenc hatálya alatt történik. Az egyéb védjegyek és kereskedelmi nevek azok tulajdonosának birtokában vannak.



**2. ábra – RIDGID RP 351 présszerszám alapsorozatú szorítópofákkal**

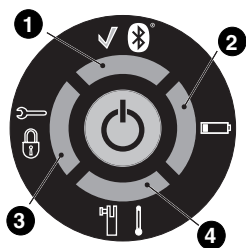
#	Ismertetés	
1	Ollós pofakészlet	7 Nyomásfeloldó gomb (RP 351 túlsó oldal)
2	Szerelékrogzító csap	8 Fogantyú
3	A szerszámgép állapotjelző lámpái	9 Akkumulátor
4	ON/OFF (BE/KI) gomb	10 Működtetőkapcsoló
5	Figyelmeztető címke (RP 351 alsó oldal)	11 LED-es munkalámpa
6	Szövethurok	12 Pofa oldallemeze



3. ábra – A gép sorozatszáma - A bekarikázott számjegyek jelölik a gyártás hónapját és évét. (YY = év, MM = hónap).

Kezelőszerv	Jelölés	Ismertetés
Főkapcsoló		Szerszám főkapcsolója. (I = BE, O = KI). ON (BE): Tartsa lenyomva a gombot, amíg a lámpa ki nem gyullad. <i>Lásd 5. ábra – A szerszám gép állapotjelző lámpái.</i> OFF (KI): Tartsa lenyomva a gombot, amíg a fény ki nem alszik. A szerszám gép tíz (10) perc tétlenség után automatikusan lekapcsol.
Működtetőkapcsoló	—	<b>Munkalámpa bekapcsolása:</b> Kissé nyomja le a működtető kapcsolót. <b>Normál üzemmód:</b> A préselési ciklus elindításához nyomja le a működtető kapcsolót; ha a szerszám rögzült a munkadarabra, engedje el a kapcsolót. A gyári beállítás a normál üzemmód. <b>Ellenőrző üzemmód:</b> Nyomja le a működtető kapcsolót: ekkor a szerelék a munkadarabra rögzül. Végezze el a beállításokat szükség szerint. Nyomja le ismét a működtető kapcsolót a préselési ciklus elindításához; ha a szerszám rögzült a munkadarabra, engedje el a kapcsolót. A rögzülést követően a kapcsoló elengedése a szerszám már nem áll le. Ennek köszönhetően a préselt csatlakozás minősége és ismételhetősége állandóan magas színvonalú lehet. Az üzemmód a RIDGID Link alkalmazással változtatható meg, <i>lásd Bluetooth funkciók fejezet.</i>
Nyomásfeloldó gomb		Lehetővé teszi a szerszám leoldását a préselés befejezése nélkül. Ha ezt használják, a préselt csatlakozás nem készül el, ezért meg kell ismételni.
Szerelékrogzítő csap	—	A szerszámhoz rögzíti a szerelékét. A szerszám csak akkor működik, ha teljesen be van vezetve. <i>Lásd 6. ábra.</i>

4. ábra – Kezelőszervek táblázata



Fényszegmens száma (folyamatosan világít)				Ismeretetés
1 ✓ 🔌	2 🔋	3 🔒	4 🔌	
—	—	—	—	Présszerszám kikapcsolva (OFF).
Zöld	Zöld	Zöld	Zöld	ON (BE) gomb lenyomva, elinduláskor 4 másodpercre kigyullad, a szerszám "Normál üzemmód"-ban.
Kék	Kék	Kék	Kék	ON (BE) gomb lenyomva, elinduláskor 4 másodpercre kigyullad, a szerszám "Ellenőrzési üzemmód"-ban - az üzemmód megváltoztatásáról lásd <i>Bluetooth funkciók</i> fejezet.
Zöld	—	—	—	Présszerszám Normál üzemmódban, készenlét, a présszerszám üzemre kész.
Piros	Sárga	Sárga	Sárga	A szerszám hibásan működött. A szerszám nem működik. Vegye ki, majd helyezze vissza az akkut vagy a tápegységet. Ha a fény továbbra is világít, szervizeltesse a szerszámot.
Piros	—	—	—	A szerszám hibásan működött. A szerszám nem működik. Vegye ki, majd helyezze vissza az akkut vagy a tápegységet. Ha a piros fény továbbra is világít, szervizeltesse a szerszámot.
Sárga	—	Piros	Piros	Szerszám és/vagy akkumulátor az előírt hőfoktartományon kívül. A szerszám nem működik. A szerszámgépet és az akkumulátort hozza megfelelő hőmérsékletre.
Sárga	—	—	Piros	A szerelékrovgító csap nincs teljesen betolva. A szerszám nem működik. Teljesen vezesse be a csapot. Ha a fény továbbra is világít, szervizeltesse a szerszámot.
Sárga	Piros	—	—	Alacsony töltöttség. A szerszám nem működik. Töltse fel az akkut/helyezzen be teljesen feltöltött akkut.
Zöld	Kék	Kék	Kék	Bluetooth csatlakozás létrejött, készenlét, a présszerszám üzemre kész - További információkért lásd <i>Bluetooth funkciók</i> fejezet.
		Lila		Készüléksoftver frissítése folyamatban, frissítés közben a szerszám nem használható.

**5. ábra – A szerszám gép állapotjelző lámpái**

## Műszaki adatok

	<b>RP 350 pisztolymarkolatos présszerszám</b>	<b>RP 351 egyenes présszerszám</b>
Szerelések .....	RIDGID alapsorozat	RIDGID alapsorozat
Lökethossz .....	1.57" (40 mm)	1.57" (40 mm)
Motor		
Feszültség .....	18 V DC névleges	18 V DC névleges
Áramerősség .....	23 A	23 A
Teljesítmény .....	480 watt	480 watt
Dugattyúerő .....	7,200 lbs. (32 kN)	7,200 lbs. (32 kN)
Fej elfordíthatósága .....	360°	360°
Munkaciklus .....	3 préselés /perc	3 préselés /perc
Betáplálás .....	RIDGID RB-18XX sorozatú 18 V Li-Ion akkumulátor vagy RIDGID RPA 120/220 AC tápegység (Lásd <i>Opcionális felszerelések</i> fejezet)	
Bluetooth hatótáv .....	33 ft. (10 m)	33 ft. (10 m)
Megengedett páratartalom .....	80% maximum	80% maximum
Üzemi hőmérséklet-tartomány .....	15° F - 122° F (-10° C - 50° C)	15° F - 122° F (-10° C - 50° C)
Raktározási hőmérséklet .....	32° F - 113° F (0° C - 45° C)	32° F - 113° F (0° C - 45° C)
Tömeg (akkumulátor/szerelék nélkül) .....	7.83 lbs (3,55 kg)	7.83 lbs (3,55 kg)
Méretetek .....	11.3" x 11.0" x 3.1" 287 mm x 279 mm x 77 mm	15.7" x 4.65" x 3.1" 398 mm x 118 mm x 77 mm



Hangnyomásszint ( $L_{PA}$ )* .....	<74,5 dB(A), K=3 dB(A)	<74,5 dB(A), K=3 dB(A)
Rezgés* .....	<1,13 m/s <sup>2</sup> , K=1,5	1,13 m/s <sup>2</sup> , K=1,5

\* A hang- és rezgésmérések az EN 62481-1 szabvány szerinti szabványosított vizsgálatnak megfelelően történtek.

- A rezgésszintek az egyéb szerszámokkal történő összehasonlításra, valamint az expozíció előzetes felmérésére alkalmazhatók.

- A hang- és rezgés kibocsátás az Ön elhelyezkedésétől, valamint a szerszámok konkrét felhasználásától függően változó lehet.

- Mindegyik alkalmazáshoz külön kell kiértékelni a napi zaj- és rezgés expozíciós szinteket, és szükség esetén meg kell hozni a megfelelő biztonsági intézkedéseket. Az expozíciós szintek kiértékelésénél azt az időt is figyelembe kell venni, amikor a szerszám ki van kapcsolva és nincs használatban. Ez az idő jelentősen csökkentheti a teljes munkaidőre eső expozíciós szintet.

## Alapfelszereltség

A szerszám gépek katalógusszámaihoz adott tartozékokról részletekért lásd a RIDGID katalógust.

MEGJEGYZÉS! A RIDGID présszerszámok szerelékei kétféle "sorozatban" állnak rendelkezésre.

- Alapsorozat
- Kompakt sorozat

Ez a két szereléksorozat nem felcserélhető egymással. Az alapsorozatú szerelékek csak az alapsorozatú szerszámokkal (RP 350, RP 351, RP 342-XL, RP 340, RP 330, 320-E, CT-400) működnek. A kompakt sorozatú szerelékek csak a kompakt sorozatú szerszámokkal (RP 240, RP 241, RP 200, RP 210, 100B) működnek.

**MEGJEGYZÉS** A megfelelő anyagok és csatlakoztatási módszerek megválasztása a rendszer tervezőjének és/vagy telepítőjének felelőssége. Bármilyen telepítés megkezdése előtt gondosan fel kell mérni az adott munkakörnyezetet, beleértve annak kémiai és hőmérsékleti jellemzőit is. A megfelelő kombináció megválasztásáról információkért forduljon a préselőrendszer gyártójához.

## Használat előtti ellenőrzés

### ▲ FIGYELMEZTETÉS

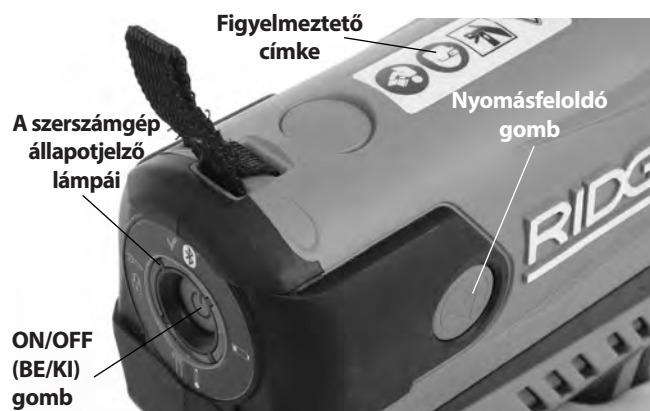


**A mindennapi használat előtt vegye szemügyre a présszerszámot, és hárítson el minden problémát az áramütésből, zúzott sebekből, a tartozék meghibásodásából és egyéb okokból származó komoly sérülések, illetve az eszköz megsérülésének elkerülése érdekében.**

1. Kapcsolja KI a szerszámot, és vegye ki az akkumulátort/tápegységet a szerszámból.
2. Tisztítsa le a gépről – elsősorban a karokról és vezérlőelemekről – az olajat, zsírt és a szennyeződések. Ez megkönnyíti a szemrevételezéses ellenőrzést, egyben megakadályozza, hogy a szerszám gép vagy egyik kezelőeleme kicsússzon a kezéből.
3. Ellenőrizze a présszerszámot a következők szempontjából:
  - Megfelelő összeszereltség, karbantartottság és hiánytalanság.

- Törött, kopott, hiányzó, hibás beállítású, beragadt részek. Ellenőrizze, hogy a szövethurkok jó állapotban vannak-e.
- A szerelékrögzőítő csap sima mozgása a teljesen nyitott és a teljesen zárt helyzet között. A csapnak mindkét pozícióban rögzülnie kell. Ellenőrizze, hogy a működtető kapcsoló szabadon, akadástól, beragadás nélkül mozog-e.
- Figyelmeztető címke megléte és olvashatósága (Lásd 6. ábra).
- Akad-e a biztonságos, normál működést megakadályozó egyéb körülmény.

Ha bármilyen problémát talál, annak kijavításáig ne használja a présszerszámot.



6. ábra - Állapotjelző lámpák/Figyelmeztető címke

4. A szerszám szerelékeit a hozzájuk tartozó útmutatóknak megfelelően kell ellenőrizni és karbantartani. Szerelje le a szereléket a szerszámról. Ellenőrizze, hogy a szerelék jó állapotban van-e, és egyértelműen megvan-e jelölve a használathoz.
5. Minden egyéb használatban levő berendezést is a hozzájuk tartozó útmutatások szerint ellenőrizzen és tartson karban, mert csak így működnek megfelelően.

## Beállítás és üzemeltetés

### ⚠ FIGYELMEZTETÉS



**Ujját, kezét a préselési ciklus során tartsa távol a szerszám szerelékétől. A szerelék-**

**be, ill. a szerszám és a szerelék, a munkadarab vagy egyéb tárgy közé szoruló ujj, kéz zúzott, töréses sérülést szenvedhet, ill. le is tépődhet.**

A termék használata során nagy erők generálódnak, amelyek eltörhetnek, ill. kivethetnek alkatrészeket, sérülést okozva ezzel. Használat közben maradjon távol az eszköztől, és viseljen személyi védőfelszerelést, melynek része a megfelelő szemvédelem is.

Mindig összeillő szerszámokat, tartozékokat és szerelvényeket használjon. A helytelen kombinációk alkalmazása rossz préselt csatlakozásokat hozhat létre, amelyek növelik a szivárgás, a szerszámkárosodás és a sérülés veszélyét.

**Tartsa be a Beállítás és Üzemeltetés fejezet útmutatásait a zúzásból és egyéb okokból bekövetkező súlyos személyi sérülés, ill. a szerszámkárosodás megelőzésének érdekében.**

1. Ellenőrizze, hogy a munkaterület megfelelő-e (Lásd Szerszámgépekre vonatkozó általános biztonsági figyelmeztetések). Tiszta, vízszintes, stabil, száraz helyen végezze az üzemeltetést. Ne használja a szerszámgépet vízben állva.
2. Mérje fel az elvégzendő munkát, és határozza meg, hogy a műszaki adatai alapján az adott alkalmazáshoz melyik RIDGID szerszám és RIDGID szerelék a megfelelő. Ha az alkalmazáshoz nem a megfelelő felszerelést használja, az személyi sérülést okozhat, károsíthatja a szerszámot, és gyenge minőségű csatlakozásokat eredményezhet.
3. Győződjön meg arról, hogy minden felszerelést ellenőriztek és beállítottak-e a hozzá tartozó útmutatónak megfelelően.

### Szerelék felszerelése/eltávolítása

1. Kapcsolja KI a szerszámot, és vegye ki az akkumulátort/ tápegységet a szerszámából.
2. Teljesen nyissa a szerelékrogzító csapot. Vegye ki/tegye be a megfelelő szerelékét (7. ábra).
3. Teljesen zárja a szerelékrogzító csapot, amíg az a zárt állásban rögzül. A szerelékrogzító csapnak teljesen zárva kell lennie, különben használat közben a szerszám károsodhat. A szerszám lámpái mutatják a megfelelő rögzülést; a szerszám állapotjelző lámpáiról lásd 5. ábra.

**MEGJEGYZÉS!** Ne működtesse a szerszámot anélkül, hogy a szerelék a helyén lenne: ez ugyanis károsíthatja a szerszámot.



7. ábra – Szerelékrogzító csap

### A kötés előkészítése

**MEGJEGYZÉS** A jelen útmutatások általános gyakorlatot mutatnak be, mely többféle típusú présszerszám szerelékhez is használható. Mindig tartsa be az adott présszerszám szerelékhez tartozó útmutatásokat, valamint a csőcsatlakozó gyártójának szerelési útmutatásait: így csökkenthető a hibás préscsatlakozás és a kiterjedt anyagi kár veszélye.

1. Készítse elő a préscsatlakozást a csőcsatlakozó gyártójának útmutatásai szerint.
2. Száraz kézzel helyezzen egy teljesen feltöltött akkumulátort vagy tápegységet a szerszámába. Ha hibaáram-védőkapcsolós, vezetékes tápegységet használ, akkor a hibaáram-védőkapcsoló névleges maradék áramerőssége legfeljebb 30 mA lehet. A szerszám BEkapcsolásához egyszer nyomja le a BE/KI gombot. Ekkor minden LED zöld fénnel kigyullad, jelezve, hogy a szerszám használatra kész. Lásd 5. ábra – A szerszám gép állapotjelző lámpái az egyéb fényekről.

## Szerelvény préselése tipikus ollós pofákkal

1. Két kézzel szilárdan fogja meg a szerszámot.

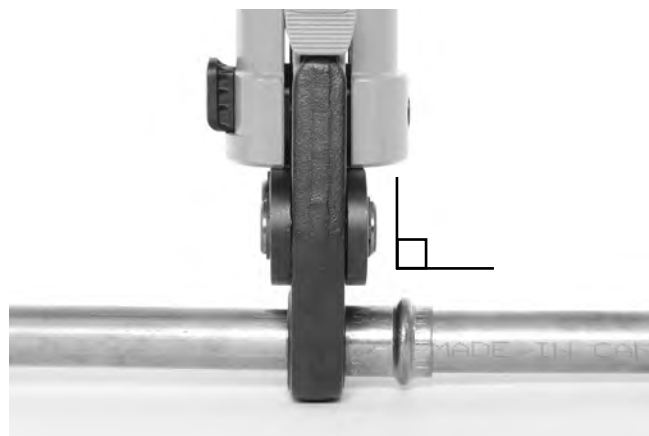


8. ábra - A szerszám tartása a kézben

2. A pofák szétnyitásához nyomja össze a pofák karjait.
3. A nyitott pofákat helyezze a csőcsatlakozó köré (9. ábra). A pofa présprofilját megfelelően illessze a csőcsatlakozó kontúrjához, a csőcsatlakozó gyártójának telepítési útmutatásai szerint. Oldja ki a pofák karjait, rázárva a pofákat a csőcsatlakozóra. Ne függesse rá a pofákészletet a csőcsatlakozóra. A szerszám ugyanis ilyenkor hirtelen leeshet, és súlyos, akár halálos sérülést okozhat.



9. ábra - A szerelvény körülzárása ollós pofákkal



10. ábra - A pofák merőlegesen állnak a szerelvényre

4. Ellenőrizze, hogy a pofa elhelyezkedése megfelelő-e, és merőlegesen áll-e a csőcsatlakozóra (10. ábra). Ujját és kezét tartsa távol a pofáktól: így elkerülhetőek a pofákban, ill. a pofák és a környezet között fellépő zúzások sérülések.

**Normál üzemmód:** Nyomja le a működtető kapcsolót (1. és 2. ábrák). Amint a szerszám ciklusa megkezdődik, és a görgők érintkezésbe lépnek a pofák karjaival, a szerszám rögzül, és automatikusan végrehajtja a ciklust. A rögzülést követően a kapcsoló elengedésére a szerszám már nem áll le. Ennek köszönhetően a préselt csatlakozás minősége és ismételhetősége állandóan magas színvonalú lehet.

**Ellenőrző üzemmód:** Nyomja le a működtető kapcsolót (1. és 2. ábrák). A pofák rázáródnak a csőcsatlakozóra, de a préselt csatlakozás nem jön létre. Végezze el a beállításokat szükség szerint. Nyomja le ismét a működtető kapcsolót: ekkor a szerszám automatikusan összezáródik, és a ciklus automatikusan végbemegy. A rögzülést követően a kapcsoló elengedésére a szerszám már nem áll le. Ennek köszönhetően a préselt csatlakozás minősége és ismételhetősége állandóan magas színvonalú lehet.

Ha a szerszámot a préselt csatlakozás elkészülte előtt kell eltávolítani, akkor nyomja le a nyomásfeloldó gombot (1. és 2. ábra).

**MEGJEGYZÉS** Ha bármikor lenyomják a feloldógombot, a préselt csatlakozás NEM készül el, ezért a csőcsatlakozót újra kell préselni. Ha a szerszám üzem közben működési hibát mutat, akkor ezt az eljárást kell követni.

5. Engedje el a működtető kapcsolót.
6. A pofák szétnyitásához nyomja össze a pofák karjait.
7. Vegye le a pofát a csőcsatlakozóról. Ügyeljen a préselés során esetlegesen kialakult éles peremekre.
8. A művelet befejeztével nyomja le az On/Off (Be/Ki) gombot egyszer a szerszám gép kikapcsolásához. Vegye le az akkumulátort vagy a tápegységet a szerszám gépből.

## Csőcsatlakozó sajtolása tipikus működtető elemmel és présgyűrűkészlettel

1. Nyissa a gyűrűt, és helyezze a csőcsatlakozó köré. A gyűrű présprofilját megfelelően illessze a csőcsatlakozó kontúrjához, a csőcsatlakozó gyártójának telepítési útmutatásai szerint. Oldja ki a gyűrűt, rázárva azt a csőcsatlakozóra (11. ábra).
2. Ellenőrizze, hogy a szerszámba a megfelelő működtető elem megfelelő módon van-e behelyezve. A működtető elem karjainak összenyomásával nyissa a működtető elem csúcsait. A működtető elem csúcsait igazítsa a gyűrű összenyomási helyeihez. Engedje el a működtető elem karjait, hogy a működtető elem csúcsai teljesen betolódhassanak a gyűrű összenyomási helyeibe (12. ábra). Ha a működtető elem csúcsa nem illeszkedik megfelelően a gyűrű összenyomási helyéhez, akkor préseléskor károsodhat a gyűrű, ill. a működtető elem. Ne hagyja, hogy a szerszám és a működtető elem a présgyűrűről függjön. A szerszám ugyanis ilyenkor hirtelen leeshet, és súlyos, akár halálos sérülést okozhat.



11. ábra - Présgyűrű elhelyezése a csőcsatlakozón



12. ábra - Működtető elem rögzítése a présgyűrűn

3. Ellenőrizze, hogy a gyűrű elhelyezkedése megfelelő-e, és merőlegesen áll-e a csőcsatlakozóra. Ujját és kezét tartsa távol a működtető elemtől és a gyűrűtől: így elkerülhetőek a szerelékben, ill. a szerelék és a környezet között fellépő zúzások sérülések.

**Normál üzemmód:** Nyomja le a működtető kapcsolót (1. és 2. ábrák). Amint a szerszám ciklusa megkezdődik, és a görgők érintkezésbe lépnek a pofák karjaival, a szerszám rögzül, és automatikusan végrehajtja a ciklust. A rögzülést követően a kapcsoló elengedésére a szerszám már nem áll le. Ennek köszönhetően a préselt csatlakozás minősége és ismételhetősége állandóan magas színvonalú lehet.

**Ellenőrző üzemmód:** Nyomja le a működtető kapcsolót (1. és 2. ábrák). A pofák rázáródnak a csőcsatlakozóra, de a préselt csatlakozás nem jön létre. Végezze el a beállításokat szükség szerint. Nyomja le ismét a működtető kapcsolót: ekkor a szerszám automatikusan összezáródik, és a ciklus automatikusan végbemegy. A rögzülést követően a kapcsoló elengedésére a szerszám már nem áll le. Ennek köszönhetően a préselt csatlakozás minősége és ismételhetősége állandóan magas színvonalú lehet.

4. Ha a szerszámot a préselt csatlakozás elkészülte előtt kell eltávolítani, akkor nyomja le a nyomásfeloldó gombot (1. és 2. ábra).

**MEGJEGYZÉS** Ha bármikor lenyomják a feloldógombot, a préselés NEM készül el, ezért a préselt csatlakozást újra kell préselni. Ha a szerszám üzem közben működési hibát mutat, akkor ezt az eljárást kell követni.

5. Engedje el a működtető kapcsolót.
6. A működtető elem karjainak összenyomásával nyissa a működtető elemet. Vegye le a működtető elemet a csőcsatlakozóról.
7. Vegye le a gyűrűt a csőcsatlakozóról. Ügyeljen a préselés során esetlegesen kialakult éles peremekre.
8. A művelet befejeztével nyomja le az On/Off (Be/Ki) gombot egyszer a szerszám gép kikapcsolásához. Vegye le az akkumulátort vagy a tápegységet a szerszám gépből.

## Az elkészült kötés vizsgálata

1. Vizsgálja meg a kötet, a következő szempontok alapján:
  - A cső teljesen be van-e tolv a szerelvénybe.
  - A csövek egymáshoz igazíttottsága túl gyenge. A préselt csatlakozásoknál a csövek egymáshoz igazításában kismértékű eltérés megengedettnek tekinthető.
  - A szerelék nem megfelelően illeszkedik a csőcsatlakozó kontúrjához. Torzult, deformálódott csőcsatlakozó.
  - A csőcsatlakozó gyártója által említett egyéb teendő. Ilyen lehet pl. az ellenőrző gyűrű vagy a matrica eltávolítása (ezek feladata annak jelzése, hogy a csatlakozón még nem végeztek préselést).



Amennyiben bármilyen hibát észlel, távolítsa el a szerelvényt, és hozzon létre új préselt kötést.

2. Vizsgálja meg a préselt kötést a gyártójának útmutatásai, a normál gyakorlat, valamint a vonatkozó szabályozás szerint.

### Bluetooth funkciók (vezeték nélküli adatátvitel)

A RIDGID® RP 350 és RP 351 présszerszámok Bluetooth® vezeték nélküli technológiával van felruházva, így csatlakoztatható az erre alkalmas, iOS vagy Android operációs rendszert futtató okostelefonokhoz és táblagépekhez (a továbbiakban: "eszközkhöz").

1. Töltse le a készülékére a megfelelő RIDGID® Link alkalmazást a RIDGID.com/apps oldal felkeresésével vagy a Google Play áruházból, ill. az Apple App Store-ból.
2. A szerszámgép bekapcsolt állapotban felderíthető és párosítható állapotban van a Bluetooth vezeték nélküli technológiával rendelkező eszközökkel. A készülék Bluetooth beállításainál válassza ki a kívánt RIDGID szerszámot. A Bluetooth vezeték nélküli technológiával végzett csatlakoztatásról pontosabb információért lásd a készülék útmutatóját. Csatlakoztatott állapotban kigyullad a zöld-kék-kék-kék állapotjelző lámpa.  
A kezdeti párosítást követően a legtöbb készülék automatikusan csatlakozik a szerszámokhoz, ha a Bluetooth vezeték nélküli technológia aktív, a készülék hatótávolságban van, és a beállításait ennek megfelelően adták meg. A présszerszámoknak 33 ft. (10 m) távolságnál közelebb kell lenniük a készülékhez ahhoz, hogy észlelhetők legyenek. Ha a szerszám és a készülék között bármilyen akadály van, az csökkentheti a hatótávot.
3. Kövesse az alkalmazás által adott útmutatásokat. Az üzemmód az alkalmazáson keresztül változtatható meg. Az alkalmazás a szerszám által végzett ciklusok felügyeletét is lehetővé teszi.
4. A vezeték nélküli adatátvitel Kikapcsol, ha a présszerszámot Kikapcsolják. Az akku merülésének lassítása érdekében kapcsolja KI a Bluetooth vezeték nélküli eszközt.

### Üzemeltetés hideg körülmények között

A hőmérséklet csökkenésével a hidraulikus folyadék viszkozitása nő, és az akku teljesítménye csökken. A nem rendeltetésszerű használat veszélyének csökkentése érdekében az RP 350 és RP 351 nem működőképes az előírt hőmérséklet-tartományon kívül - ezt a szerszámok visszajelző lámpái mutatják (5. ábra).

Amennyiben a környezeti körülmények kívül esnek a szerszám üzemi hőmérséklet-tartományán, tartsa a szerszámot az akkumulátorral együtt egy kondicionált klímájú helyen addig, amíg a körülmények újra lehetővé nem teszik használatát.

### Tárolás

Vegye le az akkumulátort vagy a tápegységet a présszerszám-ból. A présszerszámot és az akkumulátort hordtáskában tárolja. A rendkívül meleg, ill. hideg helyen történő tárolás kerülendő. A szerszámgép nem kapcsol BE, ha a hőmérséklete kívül esik az előírt tartományon. Ezt a szerszám állapotjelző lámpái mutatják. (Lásd 5. ábra)

**▲ FIGYELMEZTETÉS** A szerszámgépet száraz, biztonságos, zárt, gyermekek és a présszerszámot nem ismerő egyéb személyek által nem hozzáférhető helyen tárolja. Gyakorlatlan felhasználó kezében a szerszám veszélyes.

### Karbantartási útmutató

#### ▲ FIGYELMEZTETÉS

**Ügyeljen rá, hogy karbantartás vagy bármilyen beállítás előtt a szerszám legyen Kikapcsolva, és az akku, ill. a tápegység legyen leválasztva róla.**

#### Tisztítás és kenés

1. Tiszta száraz textillel naponta törölje át a szerszámgép külső felületét.
2. Vizsgálja meg a szerelékrögztítő csapot, és szükség szerint vigyen fel szilikon kenőanyagot.
3. Minden használatkor ellenőrizze a szerelékek visszahúzó rugóit. A szerelékeknek szabadon, az ujjak csekély erőfelfejtésére nyíltniuk és záródniuk kell.

### Szerviz és javítás

#### ▲ FIGYELMEZTETÉS

**A szerszám nem megfelelő szervizelése vagy javítása nem biztonságos üzemeltetést eredményezhet.**

Az RP 350 és RP 351 típusú présszerszámok szervizelését és javítását a független RIDGID szervizközpontnak kell végeznie.

A legközelebbi felhatalmazott RIDGID független szervizközpont elérhetőségéért, ill. a szervizhez vagy javításhoz kapcsolódó kérdések esetén lásd a jelen kézikönyv *Kapcsolattartási információk* c. részét.



## Hibaelhárítás

TÜNET	LEHETSÉGES OKOK	MEGOLDÁS
A szerszám nem kapcsol BE (ON) ha az ON/OFF gombot lenyomják.	Az akku teljesen lemerült, ill. tönkrement. Az akku nincs megfelelően behelyezve a szerszám nyelébe A tápegység nincs megfelelően bevezetve a szerszámba.	Helyezzen be egy teljesen feltöltött akkut/töltse fel az akkut. Ellenőrizze, hogy az akku teljesen be van-e helyezve. Vezesse be megfelelően a tápegységet a szerszámba.
A szerelék rögzült a szerelvényen.	A préselt csatlakozás sikertelen.	A nyomásfeloldó gomb lenyomásával vegye le a pofákat a csőcsatlakozóról. Ellenőrizze a csőcsatlakozót, és ismételje meg a préselést.
A préselt csatlakozások minősége nem megfelelő.	A cső méretéhez vagy anyagához nem illő pofa használata. A szerszám nem állt merőlegesen a csőre. A szerelék hornya nem illeszkedett a szerelvény kontúrjához. A szerszámot javítani kell.	Szerelje fel a megfelelő szerelékét. Készítsen új préselt csatlakozást új csőcsatlakozóval és új csővel. Ügyeljen rá, hogy a szerszám merőlegesen álljon a csőre. Készítsen új csatlakozást új csőcsatlakozóval és új csővel. Ügyeljen rá, hogy a szerelék préselési kontúrja illeszkedjen a csőcsatlakozó megfelelő kontúrjához.
Olajszivárgás a szerszámból.	Tömítés- vagy mechanikus probléma.	Vigye szervizbe.
A motor jár, de a szerszám nem végzi el a teljes ciklust.	Az olajszint alacsony.	Vigye szervizbe.
A szerszám gép üzem közben leáll.	Az olajszint alacsony.	

Lásd 5. ábra – A szerszám gép állapotjelző lámpái

## Opcionális felszereltség

### ⚠ FIGYELMEZTETÉS

A súlyos személyi sérülés kockázatának csökkentése érdekében csak kifejezetten az RP 350 és RP 351 présszerszámhoz tervezett és javasolt, alább felsorolt felszereléseket használja.

### Akkumulátorok és tápegységek

Katalógus sz.	Ismertetés
56513	RB-1825 18V 2.5 Ah lítium-ion akkumulátor
56518	RB-1850 18V 5.0 Ah lítium-ion akkumulátor
44468	120 AC tápegység – Észak-Amerika
43338	220 AC tápegység – Európa
44823	120 AC tápegység – Kína

### Töltők és kábelek

Katalógus sz.		Régió	Dugó típusa
64383	RBC-30 töltő	Észak-Amerika	A
56523	RBC-30 töltő	Európa	C
64388	RBC-30 töltő	Kína	A
64393	RBC-30 töltő	Ausztrália	I
64378	RBC-30 töltő	Japán	A
64398	RBC-30 töltő	Egyesült Királyság	G
64173	RBC-30 töltőkábel	Észak-Amerika	A
64183	RBC-30 töltőkábel	Európa	C

Az e szerszámokhoz elérhető RIDGID felszerelések teljes listájért lásd a Ridge Tool katalógust az interneten, a RIDGID.com címen, ill. a *Kapcsolattartási információk* c. részt.

## Ártalmatlanítás

Az eszközök egyes részei értékes anyagokat tartalmaznak, és újrahasznosíthatók. Az Ön lakóhelyén az újrahasznosítással erre szakosodott szervezetek foglalkoznak. Az alkatrészeket a helyi előírásoknak megfelelően ártalmatlanítsa. További információkért lépjen kapcsolatba a helyi hulladékkezelési szervvel.



**Az EK országokban:** Az elektromos berendezéseket ne dobja ki a háztartási hulladékkal együtt!

Az elektromos és elektronikus berendezések hulladékairól szóló 2012/-19/EU irányelv (illetve annak a helyi törvényekben megvalósított előírásai) szerint a már nem használható elektronikus hulladékokat külön kell összegyűjteni, és a környezetvédelmi előírásoknak megfelelően kell ártalmatlanítani.

## Elektromágneses kompatibilitás (EMC)

Az elektromágneses kompatibilitás azt jelenti, hogy az adott termék képes zökkenőmentesen működni olyan környezetben, ahol elektromágneses sugárzás és elektrosztatikus kisülések vannak jelen, anélkül, hogy más berendezések számára elektromágneses interferenciát okozna.

**MEGJEGYZÉS** E szerszámgépek megfelelnek minden vonatkozó EMC szabványnak. Nem zárható ki azonban teljesen annak lehetősége, hogy a készülék más eszközökben interferenciát okoz. A szerszám műszaki dokumentációjában minden olyan elektromágneses kompatibilitási szabvány felsorolásra került, amire a szerszámot bevizsgálták.

## FCC/ICES nyilatkozat

A jelen eszköz megfelel az FCC szabályozás 15. részének. A használatnak a következő két előfeltétele van:

1. Ez a készülék nem okoz káros interferenciát.
2. A készüléknek minden kapott interferenciát bírnia kell, akkor is, ha az interferencia nem kívánatos működést eredményezhet.

A cég által nem kifejezetten jóváhagyott módosítások elvégzése esetén a felhasználó elveszítheti az eszköz használatára vonatkozó jogait.

A berendezés a tesztelés szerint megfelel az FCC szabályzat 15-ös része alapján az A osztályú digitális készülékre vonatkozó korlátozásoknak. E határértékeket úgy állapították meg, hogy ésszerű védelmet nyújtsanak a káros interferencia ellen, ha a készüléket kereskedelmi környezetben működtetik. Ez a készülék rádiófrekvenciákat használ és sugároz, de ha nem a kezelési útmutatónak megfelelően állítják össze és használják, akkor káros interferenciákat hozhat létre a rádiókommunikációban. A jelen készülék lakókörnyezeti üzemeltetése valószínűleg káros interferenciákat okoz: ilyen esetben a felhasználó saját költségére köteles korigálni az interferenciát.

A termék megfelel a kanadai "ICES-003 Class A" előírásainak. *Lásd a nyilatkozási címkét a szerszámgépen.*

# RP 350/RP 351

## Πρέσες σύσφιξης



### **⚠ ΠΡΟΕΙΔΟΠΟΙΗΣΗ!**

Διαβάστε προσεκτικά το παρόν εγχειρίδιο χειρισμού πριν χρησιμοποιήσετε αυτό το εργαλείο. Αν δεν κατανοήσετε και δεν τηρήσετε τις οδηγίες που περιλαμβάνονται σε αυτό το εγχειρίδιο, μπορεί να προκληθεί ηλεκτροπληξία, πυρκαγιά και/ή σοβαρός τραυματισμός.

#### Πρέσες σύσφιξης RP 350/RP 351

Καταγράψτε τον αριθμό σειράς παρακάτω και φυλάξτε τον αριθμό σειράς του προϊόντος που βρίσκεται στην ετικέτα αναγνώρισης.

Αρ.  
σειράς

--	--

## Πίνακας περιεχομένων

Φόρμα καταγραφής αριθμού σειράς του μηχανήματος.....	255
Σύμβολα ασφαλείας/σύμβολα .....	257
<b>Γενικές προειδοποιήσεις ασφαλείας ηλεκτρικού εργαλείου .....</b>	<b>257</b>
Ασφάλεια χώρου εργασίας.....	257
Ηλεκτρική ασφάλεια .....	258
Προσωπική ασφάλεια .....	258
Χρήση και φροντίδα του ηλεκτρικού εργαλείου .....	258
Χρήση και φροντίδα της μπαταρίας.....	259
Σέρβις.....	259
<b>Ειδικές πληροφορίες για την ασφάλεια.....</b>	<b>259</b>
Ασφάλεια πρέσας.....	260
<b>Πληροφορίες επικοινωνίας της RIDGID® .....</b>	<b>260</b>
<b>Περιγραφή.....</b>	<b>260</b>
<b>Τεχνικά χαρακτηριστικά .....</b>	<b>263</b>
Βασικός εξοπλισμός .....	264
<b>Επιθεώρηση πριν τη λειτουργία.....</b>	<b>264</b>
<b>Ρύθμιση και λειτουργία.....</b>	<b>265</b>
Αφαίρεση/τοποθέτηση εξαρτήματος.....	265
Προετοιμασία σύνδεσης.....	265
Πρεσαριστή σύνδεση συνδέσμου με τυπικές σιαγόνες τύπου ψαλιδιού .....	266
Πρεσαριστή σύνδεση συνδέσμου με τυπικό ενεργοποιητή και δακτύλιο πρεσαριστής σύνδεσης .....	267
Έλεγχος της πρεσαριστής σύνδεσης.....	268
Λειτουργίες Bluetooth (Ασύρματη μεταφορά δεδομένων).....	268
Λειτουργία σε ψυχρό καιρό.....	268
<b>Φύλαξη .....</b>	<b>269</b>
<b>Οδηγίες συντήρησης.....</b>	<b>269</b>
Καθαρισμός και λίπανση.....	269
<b>Σέρβις και επισκευή .....</b>	<b>269</b>
<b>Επίλυση προβλημάτων .....</b>	<b>270</b>
<b>Προαιρετικός εξοπλισμός .....</b>	<b>271</b>
<b>Απόρριψη.....</b>	<b>271</b>
<b>Ηλεκτρομαγνητική συμβατότητα (EMC).....</b>	<b>271</b>
<b>Δήλωση FCC/ICES .....</b>	<b>272</b>
<b>Δήλωση συμμόρφωσης ΕΚ.....</b>	<b>Εσωτερικό οπισθόφυλλο</b>
<b>Εγγύηση εφ' όρου ζωής .....</b>	<b>Οπισθόφυλλο</b>

\*Μετάφραση του πρωτοτύπου των οδηγιών χρήσης



## Σύμβολα ασφαλείας/σύμβολα

Στο παρόν εγχειρίδιο χειρισμού και πάνω στο προϊόν χρησιμοποιούνται σύμβολα και προειδοποιητικές ενδείξεις που επισημαίνουν σημαντικές πληροφορίες για την ασφάλεια. Οι προειδοποιητικές αυτές ενδείξεις και τα σύμβολα επεξηγούνται σε αυτή την ενότητα.



Αυτό είναι το σύμβολο προειδοποίησης για θέματα ασφαλείας. Χρησιμοποιείται για να επιστήσει την προσοχή σας σε πιθανούς κινδύνους τραυματισμού. Τηρείτε πιστά όλα τα μηνύματα ασφαλείας που ακολουθούν αυτό το σύμβολο για να αποφύγετε πιθανό τραυματισμό ή θάνατο.

### **⚠ ΚΙΝΔΥΝΟΣ**

Η ένδειξη ΚΙΝΔΥΝΟΣ επισημαίνει μια επικίνδυνη κατάσταση, η οποία, εάν δεν αποφευχθεί, θα οδηγήσει σε θάνατο ή σοβαρό τραυματισμό.

### **⚠ ΠΡΟΕΙΔΟΠΟΙΗΣΗ**

Η ένδειξη ΠΡΟΕΙΔΟΠΟΙΗΣΗ επισημαίνει μια επικίνδυνη κατάσταση, η οποία, αν δεν αποφευχθεί, θα μπορούσε να οδηγήσει σε θάνατο ή σοβαρό τραυματισμό.

### **⚠ ΠΡΟΣΟΧΗ**

Η ένδειξη ΠΡΟΣΟΧΗ επισημαίνει μια επικίνδυνη κατάσταση, η οποία, αν δεν αποφευχθεί, θα μπορούσε να οδηγήσει σε μικρής ή μέτριας σοβαρότητας τραυματισμό.

### **ΕΠΙΣΗΜΑΝΣΗ**

Η ένδειξη ΕΠΙΣΗΜΑΝΣΗ δηλώνει πληροφορίες που σχετίζονται με την προστασία περιουσιακών αγαθών.



Αυτό το σύμβολο σημαίνει ότι θα πρέπει να διαβάσετε προσεκτικά το εγχειρίδιο χειριστή προτού χρησιμοποιήσετε τον εξοπλισμό. Το εγχειρίδιο χειριστή περιλαμβάνει σημαντικές πληροφορίες για την ασφάλη και σωστή λειτουργία του εξοπλισμού.



Αυτό το σύμβολο σημαίνει ότι θα πρέπει να φοράτε πάντα γυαλιά ασφαλείας με πλαϊνή θωράκιση ή γυαλιά προσώπιδες όταν χειρίζεστε ή χρησιμοποιείτε αυτό τον εξοπλισμό ώστε να μειώνεται ο κίνδυνος τραυματισμού των οφθαλμών.



Αυτό το σύμβολο επισημαίνει κίνδυνο σύνθλιψης για τα χέρια, τα δάκτυλα ή άλλα μέρη του σώματος.



Αυτό το σύμβολο επισημαίνει τον κίνδυνο ηλεκτροπληξίας.



Αυτό το σύμβολο επισημαίνει ότι το προϊόν προορίζεται αποκλειστικά για χρήση σε εσωτερικό χώρο.



Αυτό το σύμβολο επισημαίνει ότι το προϊόν είναι Κλάσης II.



Αυτό το σύμβολο υποδεικνύει ότι αυτός ο ηλεκτρικός εξοπλισμός δεν πρέπει να απορρίπτεται μαζί με οικιακά απορρίμματα. *Βλ. την ενότητα «Απόρριψη».*



Αυτό το σύμβολο επισημαίνει ότι αυτός ο ηλεκτρικός εξοπλισμός πληροί τις απαιτήσεις των εφαρμοστέων οδηγιών ΕΚ.



Αυτό το σύμβολο επισημαίνει το έτος κατασκευής του προϊόντος.

## Γενικές προειδοποιήσεις ασφαλείας ηλεκτρικού εργαλείου\*

### **⚠ ΠΡΟΕΙΔΟΠΟΙΗΣΗ**

**Διαβάστε όλες τις προειδοποιήσεις ασφαλείας, τις οδηγίες, τις εικόνες και τα τεχνικά χαρακτηριστικά που παρέχονται με αυτό το ηλεκτρικό εργαλείο. Αν δεν τηρηθούν όλες οι οδηγίες που αναγράφονται παρακάτω μπορεί να προκληθεί ηλεκτροπληξία, πυρκαγιά ή/και σοβαρός τραυματισμός.**

**ΦΥΛΑΞΤΕ ΟΛΕΣ ΤΙΣ ΠΡΟΕΙΔΟΠΟΙΗΣΕΙΣ ΚΑΙ ΤΙΣ ΟΔΗΓΙΕΣ ΩΣΤΕ ΝΑ ΑΝΑΤΡΕΞΕΤΕ ΣΕ ΑΥΤΕΣ ΣΤΟ ΜΕΛΛΟΝ!**

Ο όρος «ηλεκτρικό εργαλείο» που περιέχεται στις προειδοποιήσεις αναφέρεται σε ηλεκτρικά εργαλεία με τροφοδοσία ρεύματος (με καλώδιο) και σε ηλεκτρικά εργαλεία με τροφοδοσία μπαταρίας (χωρίς καλώδιο).

## Ασφάλεια χώρου εργασίας

- Διατηρείτε την περιοχή εργασίας σας καθαρή και με καλό φωτισμό. Αν ο χώρος εργασίας δεν είναι τακτοποιημένος ή έχει κακό φωτισμό, μπορεί να προκληθεί ατύχημα.
- Μη θέτετε σε λειτουργία ηλεκτρικά εργαλεία σε περιβάλλον με κίνδυνο έκρηξης, όπως σε μέρη που υπάρχουν εύφλεκτα υγρά, αέρια ή σκόνη. Τα ηλεκτρικά εργαλεία δημιουργούν σπινθήρες που μπορεί να αναφλέξουν τη σκόνη ή τις αναθυμιάσεις.
- Κρατάτε τα παιδιά και τους μη μετέχοντες στην εργασία σας σε απόσταση ενώ χειρίζεστε κάποιο ηλεκτρικό εργαλείο. Αν αποσπαστεί η προσοχή σας, μπορεί να χάσετε τον έλεγχο.

\* Το κείμενο που χρησιμοποιείται στην ενότητα των γενικών προειδοποιήσεων ασφαλείας ηλεκτρικού εργαλείου του παρόντος εγχειριδίου έχει μεταφερθεί κατά λέξη, όπως απαιτείται, από το ισχύον πρότυπο UL/CSA 62841-1. Η ενότητα αυτή περιλαμβάνει γενικούς κανόνες ασφαλείας για πολλούς διαφορετικούς τύπους ηλεκτρικών εργαλείων. Δεν ισχύουν όλες οι προφυλάξεις για όλα τα εργαλεία και ορισμένες δεν ισχύουν για το συγκεκριμένο εργαλείο.

## Ηλεκτρική ασφάλεια

- Τα βύσματα σύνδεσης των ηλεκτρικών εργαλείων πρέπει να ταιριάζουν με την αντίστοιχη πρίζα παροχής. **Μη διενεργείτε ποτέ και με κανένα τρόπο τροποποιήσεις στο βύσμα. Μη χρησιμοποιείτε προσαρμογείς στα βύσματα των γειωμένων ηλεκτρικών εργαλείων.** Τα μη τροποποιημένα βύσματα και η σύνδεσή τους στις σωστές πρίζες παροχής μειώνουν τον κίνδυνο ηλεκτροπληξίας.
- **Αποφύγετε οποιαδήποτε σωματική επαφή με γειωμένες επιφάνειες, όπως σωλήνες, καλοριφέρ, ηλεκτρικές κουζίνες και ψυγεία.** Αν το σώμα σας είναι γειωμένο, υπάρχει μεγαλύτερος κίνδυνος ηλεκτροπληξίας.
- **Μην εκθέτετε τα ηλεκτρικά εργαλεία σε βροχή ή υγρασία.** Ενδεχόμενη διείσδυση νερού σε ένα ηλεκτρικό εργαλείο θα αυξήσει τον κίνδυνο ηλεκτροπληξίας.
- **Μην κακομεταχειρίζεστε το καλώδιο. Μη χρησιμοποιείτε ποτέ το καλώδιο για τη μεταφορά, την έλξη ή την αποσύνδεση από την πρίζα του ηλεκτρικού εργαλείου. Κρατήστε το καλώδιο μακριά από θερμότητα, λάδια, αιχμηρές γωνίες ή κινούμενα μέρη του εργαλείου.** Τα κατεστραμμένα ή μπερδεμένα καλώδια αυξάνουν τον κίνδυνο ηλεκτροπληξίας.
- **Κατά τη χρήση του ηλεκτρικού εργαλείου σε εξωτερικό χώρο, χρησιμοποιήστε προέκταση καλωδίου κατάλληλη για την εν λόγω χρήση.** Η χρήση καλωδίου κατάλληλου για εξωτερικούς χώρους μειώνει τον κίνδυνο ηλεκτροπληξίας.
- **Εάν είναι αναπόφευκτη η χρήση ηλεκτρικού εργαλείου σε περιβάλλον με υγρασία, χρησιμοποιήστε παροχή που προστατεύεται με διακόπτη κυκλώματος βλάβης γείωσης (GFCI).** Η χρήση διάταξης GFCI μειώνει τον κίνδυνο ηλεκτροπληξίας.

## Προσωπική ασφάλεια

- **Να είστε σε ετοιμότητα και εγρήγορση, συγκεντρωμένοι και προσεκτικοί με τις ενέργειές σας και να λειτουργείτε με γνώμονα την κοινή λογική κατά τη χρήση οποιοδήποτε ηλεκτρικού εργαλείου. Μη χρησιμοποιείτε ηλεκτρικά εργαλεία όταν είστε κουρασμένοι ή ενώ βρίσκεστε υπό την επήρεια ναρκωτικών ουσιών, αλκοόλ ή φαρμάκων.** Μια στιγμή απροσεξίας ενώ χειρίζεστε κάποιο ηλεκτρικό εργαλείο, μπορεί να προκαλέσει σοβαρό τραυματισμό.
- **Χρησιμοποιείτε ατομικό προστατευτικό εξοπλισμό. Να φοράτε πάντα προστατευτικά των ματιών.** Ο εξοπλισμός προστασίας που χρησιμοποιείται σε τέτοιου είδους περιπτώσεις, όπως η μάσκα προστασίας από τη σκόνη, τα ειδικά υποδήματα ασφαλείας με αντιολισθητικές σόλες, το κράνος ή η προστασία ακοής, περιορίζει τον κίνδυνο σωματικών βλαβών.

- **Αποτρέψτε τυχόν μη σκόπιμη εκκίνηση του εργαλείου. Βεβαιωθείτε ότι ο διακόπτης βρίσκεται στη θέση OFF (απενεργοποίηση) πριν συνδέσετε το εργαλείο στην παροχή ρεύματος ή/και στην μπαταρία, πριν σηκώσετε ή μεταφέρετε το εργαλείο.** Η μεταφορά ηλεκτρικών εργαλείων με το δάκτυλο στον διακόπτη ή η σύνδεση των ηλεκτρικών εργαλείων στην πρίζα ενώ ο διακόπτης είναι ανοικτός (βρίσκεται στη θέση ON) ενέχουν τον κίνδυνο πρόκλησης ατυχημάτων.
- **Αφαιρέστε τα κλειδιά ρύθμισης πριν θέσετε το ηλεκτρικό εργαλείο στη θέση ON (ενεργοποίηση).** Εάν κάποιο κλειδί παραμείνει προσαρτημένο σε περιστρεφόμενο μέρος του ηλεκτρικού εργαλείου, μπορεί να προκληθεί τραυματισμός.
- **Μην τεντώνετε περισσότερο από όσο χρειάζεται. Διατηρείτε πάντοτε σωστή, σταθερή στάση και ισορροπία.** Έτσι, ελέγχετε καλύτερα το ηλεκτρικό εργαλείο αν προκύψει κάτι απροσδόκητο.
- **Φορέστε κατάλληλη ενδυμασία. Μη φοράτε φαρδιά ενδύματα ή κοσμήματα. Κρατήστε τα μαλλιά και τα ενδύματα, καθώς και τα γάντια μακριά από τα κινούμενα μέρη.** Τα φαρδιά ρούχα, τα κοσμήματα ή τα μακριά μαλλιά μπορεί να παγιδευτούν σε κινούμενα μέρη.
- **Εάν παρέχονται διατάξεις για τη σύνδεση συσκευών εξαγωγής και συλλογής της σκόνης, βεβαιωθείτε ότι είναι συνδεδεμένες και ότι χρησιμοποιούνται σωστά.** Η χρήση μεθόδων συλλογής σκόνης μπορεί να μειώσει τους σχετικούς κινδύνους.
- **Μην αφήσετε την εξοικείωση που αποκτήσατε από τη συχνή χρήση των εργαλείων να σας εφησυχάσει και να αγνοήσετε τις αρχές ασφαλείας που ισχύουν για τα εργαλεία..** Μια απρόσεκτη ενέργεια μπορεί να προκαλέσει σοβαρό τραυματισμό σε κλάσματα του δευτερολέπτου.

## Χρήση και φροντίδα του ηλεκτρικού εργαλείου

- **Μη ζορίζετε το ηλεκτρικό εργαλείο. Χρησιμοποιείτε το σωστό ηλεκτρικό εργαλείο για την εκάστοτε εφαρμογή.** Με το σωστό ηλεκτρικό εργαλείο μπορείτε να εκτελέσετε καλύτερα και ασφαλέστερα την εργασία σας, σύμφωνα με τις προδιαγραφές για τις οποίες σχεδιάστηκε.
- **Μη χρησιμοποιείτε το ηλεκτρικό εργαλείο αν δεν ανάβει και σβήνει από τον διακόπτη.** Κάθε ηλεκτρικό εργαλείο που δεν ελέγχεται με τον διακόπτη είναι επικίνδυνο και πρέπει να επισκευαστεί.
- **Αποσυνδέστε το βύσμα από την πηγή ρεύματος και/ή αφαιρέστε την μπαταρία από το ηλεκτρικό εργαλείο προτού διενεργήσετε τυχόν ρυθμίσεις, αλλάξετε εξαρτήματα ή αποθηκεύσετε τα ηλεκτρικά εργαλεία.** Τα εν λόγω προληπτικά μέτρα ασφαλείας μειώνουν τον κίνδυνο να τεθεί κατά λάθος σε λειτουργία το ηλεκτρικό εργαλείο.

- Φυλάξτε τα μη χρησιμοποιούμενα ηλεκτρικά εργαλεία μακριά από παιδιά και μην αφήνετε να χειριστούν το ηλεκτρικό εργαλείο άτομα που δεν είναι εξοικειωμένα με αυτό ή με τις παρούσες οδηγίες χειρισμού του. Τα ηλεκτρικά εργαλεία είναι επικίνδυνα σε χέρια ανειδίκευτων ατόμων.
- Πραγματοποιείτε συντήρηση των ηλεκτρικών εργαλείων. Ελέγξτε για τυχόν μη ευθυγράμμιση ή μπλοκάρισμα των κινούμενων μερών, για φθορές στα εξαρτήματα και κάθε άλλη κατάσταση η οποία ενδέχεται να επηρεάσει τη λειτουργία του ηλεκτρικού εργαλείου. Αν υπάρχουν ζημιές, παραδώστε το ηλεκτρικό εργαλείο για επισκευή πριν από οποιαδήποτε χρήση του. Πολλά ατυχήματα προκαλούνται από κακή συντήρηση των ηλεκτρικών εργαλείων.
- Διατηρείτε τα εργαλεία κοπής αιχμηρά και καθαρά. Η σωστή συντήρηση των εργαλείων κοπής με αιχμηρές κοπτικές ακμές ελαχιστοποιούν τον κίνδυνο εμπλοκής τους και καθιστούν τον έλεγχό τους ευκολότερο.
- Χρησιμοποιείτε το ηλεκτρικό εργαλείο, τα βοηθητικά εξαρτήματα και τα μέρη του εργαλείου κλπ., σύμφωνα με τις παρούσες οδηγίες, λαμβάνοντας υπόψη τις συνθήκες εργασίας και την προς εκτέλεση εργασία. Η ρήση του ηλεκτρικού εργαλείου για εργασίες διαφορετικές από αυτές για τις οποίες προορίζεται μπορεί να δημιουργήσει επικίνδυνες καταστάσεις.
- Διατηρείτε τις λαβές και τις επιφάνειες λαβής καθαρές και απαλλαγμένες από λάδια και γράσα. Οι ολισθηρές λαβές και επιφάνειες λαβής δεν επιτρέπουν τον ασφαλή χειρισμό και έλεγχο του εργαλείου σε μη αναμενόμενες καταστάσεις.

### Χρήση και φροντίδα της μπαταρίας

- Η επαναφόρτιση πρέπει να πραγματοποιείται μόνο με τον φορτιστή που έχει καθοριστεί από τον κατασκευαστή. Φορτιστής που είναι κατάλληλος μόνο για έναν τύπο μπαταρίας, ενδέχεται να προκαλέσει κίνδυνο πυρκαγιάς όταν χρησιμοποιηθεί με άλλου τύπου μπαταρία.
- Χρησιμοποιείτε ηλεκτρικά εργαλεία μόνο με τις ειδικά καθορισμένες μπαταρίες. Η χρήση οποιουδήποτε άλλου τύπου μπαταρίας ενδέχεται να προκαλέσει τραυματισμό και πυρκαγιά.
- Όταν η μπαταρία δεν χρησιμοποιείται, φυλάξτε την μακριά από άλλα μεταλλικά αντικείμενα όπως συνδετήρες, νομίσματα, κλειδιά, καρφιά, βίδες ή άλλα μικρού μεγέθους μεταλλικά αντικείμενα που μπορούν να δημιουργήσουν σύνδεση από τον έναν ακροδέκτη στον άλλο. Η βραχυκύκλωση των ακροδεκτών της μπαταρίας ενδέχεται να προκαλέσει εγκαύματα ή πυρκαγιά.

- Υπό καταχρηστικές συνθήκες, ενδέχεται να εκτοξευθεί υγρό από την μπαταρία. Αποφύγετε την επαφή. Σε περίπτωση επαφής με το υγρό από σφάλμα, ξεπλύνετε με νερό. Αν το υγρό έρθει σε επαφή με τα μάτια, ξεπλύνετε με νερό και ζητήστε ιατρική βοήθεια. Το υγρό που εκτοξεύεται από την μπαταρία, ενδέχεται να προκαλέσει ερεθισμό ή εγκαύματα.
- Μη χρησιμοποιείτε μπαταρία ή εργαλείο που έχει υποστεί βλάβη ή τροποποίηση. Οι μπαταρίες που παρουσιάζουν βλάβη ή έχουν τροποποιηθεί μπορεί να εμφανίσουν απρόβλεπτη συμπεριφορά, προκαλώντας πυρκαγιά, έκρηξη ή τραυματισμό.
- Η μπαταρία ή το εργαλείο δεν πρέπει να εκτίθενται σε φωτιά ή υψηλές θερμοκρασίες. Η έκθεση σε φωτιά ή θερμοκρασίες πάνω από 130°C (265°F) μπορεί να προκαλέσει έκρηξη.
- Ακολουθείτε όλες τις οδηγίες φόρτισης και μη φορτίζετε την μπαταρία ή το εργαλείο σε χώρο με θερμοκρασία εκτός του εύρους που ορίζεται στις οδηγίες. Η ακατάλληλη φόρτιση ή η φόρτιση σε θερμοκρασίες εκτός του καθορισμένου εύρους μπορεί να προκαλέσουν ζημιά στην μπαταρία και να αυξήσουν τον κίνδυνο πυρκαγιάς.

### Σέρβις

- Παραδώστε το ηλεκτρικό εργαλείο για εργασίες σέρβις σε κάποιον πιστοποιημένο αντιπρόσωπο σέρβις ο οποίος χρησιμοποιεί μόνο πανομοιότυπα ανταλλακτικά. Έτσι, θα διασφαλιστεί η τήρηση της ασφάλειας του ηλεκτρικού εργαλείου.

### Ειδικές πληροφορίες για την ασφάλεια

#### ⚠ ΠΡΟΕΙΔΟΠΟΙΗΣΗ

Η παρούσα ενότητα περιλαμβάνει σημαντικές πληροφορίες ασφαλείας που αφορούν ειδικά το συγκεκριμένο εργαλείο.

Διαβάστε προσεκτικά αυτές τις προφυλάξεις προτού χρησιμοποιήσετε τις πρέσες σύσφιξης, προκειμένου να περιορίσετε τον κίνδυνο ηλεκτροπληξίας ή άλλου σοβαρού τραυματισμού.

**ΦΥΛΑΞΤΕ ΟΛΕΣ ΤΙΣ ΠΡΟΕΙΔΟΠΟΙΗΣΕΙΣ ΚΑΙ ΤΙΣ ΟΔΗΓΙΕΣ ΩΣΤΕ ΝΑ ΑΝΑΤΡΕΞΕΤΕ ΣΕ ΑΥΤΕΣ ΣΤΟ ΜΕΛΛΟΝ!**

Η κασετίνα μεταφοράς του εργαλείου διαθέτει έναν χώρο για τη φύλαξη του εγχειριδίου μαζί με το εργαλείο, για χρήση από τον χειριστή.



## Ασφάλεια πρέσας

- **Μην πλησιάζετε τα δάχτυλα και τα χέρια σας στα προσαρτήματα κατά τη διάρκεια του κύκλου πρεσαριστής σύσφιξης.** Τα δάχτυλα και τα χέρια σας ενδέχεται να υποστούν σύνθλιψη, κάταγμα ή ακρωτηριασμό σε περίπτωση που πιαστούν στο προσάρτημα ή ανάμεσα στα εξαρτήματα και σε τυχόν άλλα αντικείμενα.
- **Μην επιχειρείτε να επισκευάσετε τυχόν κατεστραμμένα προσαρτήματα πρεσαριστής σύσφιξης (σιαγόνες, δακτύλιος πρεσαριστής σύνδεσης, ενεργοποιητής κλπ.). Απορρίψτε όλο το κατεστραμμένο προσάρτημα.** Προσάρτημα που έχει υποστεί συγκόλληση, τρόχισμα, διάτρηση ή τροποποίηση με οποιονδήποτε τρόπο μπορεί να σπάσει κατά την πρεσαριστή σύσφιξη, με αποτέλεσμα σοβαρό τραυματισμό. Αν δεν αντικατασταθεί το σύνολο του προσαρτήματος πρεσαριστής σύσφιξης μπορεί να προκληθεί βλάβη στο εξάρτημα και σοβαρός τραυματισμός.
- **Κατά τη χρήση του προϊόντος δημιουργούνται μεγάλες δυνάμεις που μπορούν να σπάσουν ή να εκτινάξουν κομμάτια υλικού και να προκαλέσουν τραυματισμό.** Κατά τη χρήση, να στέκεστε μακριά και να φοράτε κατάλληλο προστατευτικό εξοπλισμό και προστατευτικά για τα μάτια.
- **Χρησιμοποιείτε τις πρέσες σύσφιξης RIDGID® με κατάλληλα προσαρτήματα πρεσαριστής σύσφιξης RIDGID ή εγκεκριμένα από τη RIDGID (σιαγόνες, δακτύλιοι πρεσαριστής σύσφιξης, ενεργοποιητές κλπ.).** Άλλες χρήσεις ή οι τροποποιήσεις στις πρέσες σύσφιξης για άλλες εφαρμογές μπορεί να καταστρέψουν την πρέσα και τα προσαρτήματα και/ή να προκαλέσουν τραυματισμούς.
- **Χρησιμοποιείτε τους κατάλληλους συνδυασμούς εργαλείων, προσαρτημάτων και συνδέσμων.** Τυχόν ακατάλληλος συνδυασμός μπορεί να οδηγήσει σε μη ολοκληρωμένη σύσφιξη, και άρα σε αύξηση του κινδύνου εμφάνισης διαρροών, βλάβης του εξοπλισμού και τραυματισμών.
- **Πριν από τη λειτουργία μιας πρέσας σύσφιξης RIDGID®, διαβάστε και κατανοήστε τα εξής:**
  - Το εγχειρίδιο χειριστή
  - Τις οδηγίες για τα εξαρτήματα
  - Το εγχειρίδιο για την μπαταρία/φορτιστή
  - Τις οδηγίες τοποθέτησης του κατασκευαστή συνδέσμων
  - Τις οδηγίες για οποιονδήποτε άλλο εξοπλισμό ή υλικό που χρησιμοποιείται με αυτό το εργαλείο

Εάν δεν τηρηθούν όλες οι οδηγίες και οι προειδοποιήσεις, μπορεί να προκληθούν υλικές ζημιές ή/και σοβαρός τραυματισμός.

## Πληροφορίες επικοινωνίας της RIDGID®

Εάν έχετε οποιαδήποτε απορία σχετικά με το παρόν προϊόν RIDGID®:

- Επικοινωνήστε με τον διανομέα RIDGID της περιοχής σας.
- Επισκεφθείτε τη διεύθυνση RIDGID.com για να βρείτε το πλησιέστερο σημείο επικοινωνίας της RIDGID στην περιοχή σας.
- Επικοινωνήστε με το Τμήμα Σέρβις της Ridge Tool στην ηλεκτρονική διεύθυνση [rtctechservices@emerson.com](mailto:rtctechservices@emerson.com) ή, για ΗΠΑ και Καναδά, καλέστε στο (800) 519-3456.

## Περιγραφή

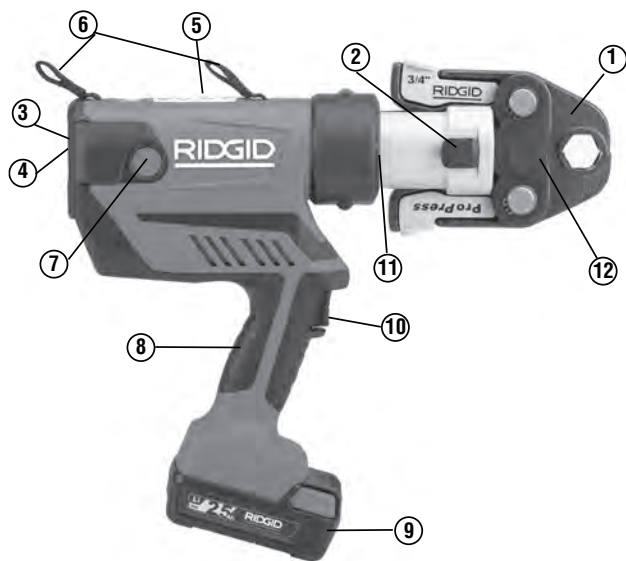
Οι πρέσες σύσφιξης RP 350 και RP 351 της RIDGID®, όταν χρησιμοποιούνται με τα κατάλληλα προσαρτήματα, είναι σχεδιασμένες για μηχανική πίεση συνδέσμων σε σωλήνες με στόχο τη δημιουργία υδατοστεγών και μόνιμων στεγανοποιήσεων, όπως αυτές που χρησιμοποιούνται σε εφαρμογές υδραυλικών συστημάτων, συστημάτων θέρμανσης και εγκαταστάσεων κλιματισμού και ψύξης. Τα προσαρτήματα διατίθενται επίσης και για άλλες χρήσεις.

Μόλις πατήσετε τον διακόπτη λειτουργίας της πρέσας σύσφιξης, ένας εσωτερικός ηλεκτρικός κινητήρας τροφοδοτεί μια υδραυλική αντλία που παρέχει υγρό στον κύλινδρο του εργαλείου, κινώντας προς τα εμπρός το έμβολο και εφαρμόζοντας ισχύ στο προσάρτημα, πιέζοντας τον σύνδεσμο. Ο κύκλος πρεσαριστής σύσφιξης διαρκεί περίπου 4 δευτερόλεπτα. Αν ο κύκλος αρχίσει να παραμορφώνει μια σύνδεση, αυτόματα θα συνεχίσει μέχρι την ολοκλήρωσή της, ακόμη και αν αφήσετε τον διακόπτη λειτουργίας.

Το εργαλείο διαθέτει μια δεύτερη λειτουργία («λειτουργία χειρισμού»), την οποία μπορείτε να ενεργοποιήσετε χρησιμοποιώντας την εφαρμογή RIDGID Link. Η λειτουργία χειρισμού σας επιτρέπει να συνδέσετε τον σύνδεσμο πριν τη σύσφιξη ώστε να βεβαιωθείτε για τη σωστή ευθυγράμμιση του προσαρτήματος, του συνδέσμου και του σωλήνα.

Οι λυχνίες κατάστασης εργαλείου δίνουν πληροφορίες που αφορούν, για παράδειγμα, την κατάσταση εργαλείου, την κατάσταση μπαταρίας, την απαιτούμενη συντήρηση ή την ακατάλληλη θερμοκρασία. Το φως εργασίας ανάβει όταν έχει πατηθεί ο διακόπτης λειτουργίας, ώστε να φωτίζεται η περιοχή εργασίας. Η κεφαλή μπορεί να περιστραφεί κατά 360° για καλύτερη πρόσβαση σε περιορισμένους χώρους.

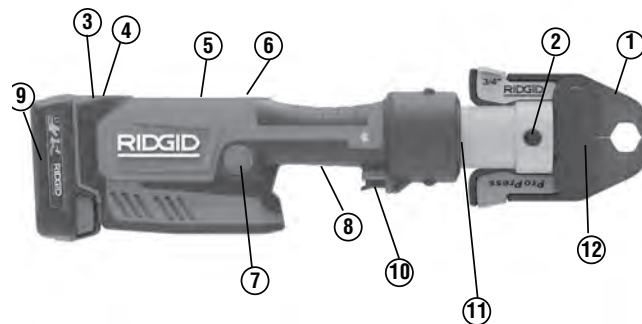
Τα εργαλεία διαθέτουν υφασμάτινες θηλιές που μπορούν να χρησιμοποιηθούν με τα κατάλληλα εξαρτήματα όπως λουριά ύμου ή κορδόνια δεσίματος.



**Εικόνα 1 – Πρέσα σύσφιξης RP 350 και σιαγόνες σειράς Standard της RIDGID**

Οι πρέσες σύσφιξης διαθέτουν ασύρματη τεχνολογία Bluetooth®\* για σύνδεση με έξυπνα κινητά και τάμπλετ. Βλ. την ενότητα «Λειτουργίες Bluetooth (Ασύρματη μεταφορά δεδομένων)» για λεπτομέρειες.

\* Το λεκτικό σήμα και τα λογότυπα Bluetooth® είναι εμπορικά σήματα καταχωρημένα από την Bluetooth SIG, inc και κάθε χρήση αυτών των σημάτων από την Emerson Electric Co. υπόκειται σε άδεια. Τα υπόλοιπα εμπορικά σήματα και εμπορικές ονομασίες ανήκουν στους αντίστοιχους ιδιοκτήτες τους.





**Εικόνα 2 – Πρέσα σύσφιξης RP 351 και σιαγόνες σειράς Standard της RIDGID**

#	Περιγραφή		Περιγραφή
1	Σετ σιαγόνων τύπου ψαλιδιού	7	Κουμπί απελευθέρωσης πίεσης (Άκρο RP 351)
2	Πείρος στερέωσης εξαρτήματος	8	Λαβή
3	Λυχνίες κατάστασης εργαλείου	9	Μπαταρία
4	Κουμπί ON/OFF	10	Διακόπτης λειτουργίας
5	Ετικέτα προειδοποίησης (Κάτω μέρος RP 351)	11	Φως εργασίας LED
6	Υφασμάτινη θηλιά	12	Πλευρική επιφάνεια σιαγόνων

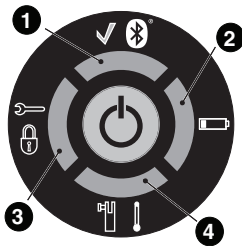


**Εικόνα 3 – Αριθμός σειράς μηχανήματος - Τα κυκλωμένα ψηφία επισημαίνουν το έτος και τον μήνα κατασκευής. (YY = έτος, MM = μήνας).**



Χειριστήριο	Σήμανση	Περιγραφή
Κουμπί On/Off		Κύριος διακόπτης τροφοδοσίας εργαλείου. (I = ON (ενεργοποίηση), O = OFF (απενεργοποίηση)). ON (ενεργοποίηση): Πατήστε το κουμπί μέχρι να ανάψουν οι λυχνίες. <i>Βλ. Εικόνα 5 – Λυχνίες κατάστασης εργαλείου.</i> OFF (απενεργοποίηση): Πατήστε το κουμπί μέχρι να σβήσει η λυχνία. Το εργαλείο θα σβήσει αυτόματα αν δεν χρησιμοποιείται για δέκα (10) λεπτά.
Διακόπτης λειτουργίας	—	<b>Αναμμένο φως εργασίας:</b> πατήστε ελαφρά τον διακόπτη λειτουργίας. <b>Κανονική λειτουργία:</b> Πατήστε τον διακόπτη λειτουργίας για να ξεκινήσει ο κύκλος λειτουργίας της πρέσας, και ελευθερώστε τον μόλις το εργαλείο αρχίσει να λειτουργεί αυτόματα. Η κανονική λειτουργία είναι η εργοστασιακή ρύθμιση. <b>Λειτουργία χειρισμού:</b> Πατήστε τον διακόπτη λειτουργίας για να συνδεθεί το προσάρτημα στο τεμάχιο εργασίας. Πραγματοποιήστε τις ρυθμίσεις που χρειάζονται. Πατήστε ξανά τον διακόπτη λειτουργίας για να ξεκινήσει ο κύκλος λειτουργίας της πρέσας, και ελευθερώστε τον μόλις το εργαλείο αρχίσει να λειτουργεί αυτόματα. Άπαξ και κλειδώσει, το εργαλείο δεν πρόκειται να σταματήσει ακόμη και αν αφήσετε τον διακόπτη. Έτσι, διασφαλίζεται η ακεραιότητα της ένωσης με συνεχή και επαναλαμβανόμενη πρεσαριστή σύνδεση. Μπορείτε να αλλάξετε τη λειτουργία με την εφαρμογή Link της RIDGID, <i>βλ. ενότητα για τις λειτουργίες Bluetooth.</i>
Κουμπί απελευθέρωσης πίεσης		Επιτρέπει στο εργαλείο να ελευθερωθεί χωρίς να ολοκληρωθεί η πρεσαριστή σύσφιξη. Αν χρησιμοποιηθεί, η πρεσαριστή σύνδεση δεν θα έχει ολοκληρωθεί και θα πρέπει να επαναληφθεί.
Πείρος στερέωσης εξαρτήματος	—	Συγκρατεί το προσάρτημα στο εργαλείο. Πρέπει να έχει εισαχθεί πλήρως για να λειτουργήσει το μηχάνημα. <i>Βλ. Εικόνα 6.</i>

**Εικόνα 4 – Πίνακας χειριστηρίων**



Αριθμός τμήματος λυχνιών (Λυχνία αναμμένη συνεχώς)				Περιγραφή
1 ✓ Bluetooth	2 🔋	3 🔒	4 🔊	
—	—	—	—	Πρέσα σύσφιξης απενεργοποιημένη (OFF).
Πράσινη	Πράσινη	Πράσινη	Πράσινη	Το κουμπί ON (ενεργοποίηση) πατημένο, ανάβει για 4 δευτερόλεπτα στην έναρξη, εργαλείο στην «Κανονική λειτουργία».
Μπλε	Μπλε	Μπλε	Μπλε	Το κουμπί ON (ενεργοποίηση) πατημένο, ανάβει για 4 δευτερόλεπτα στην έναρξη, εργαλείο στην «Κανονική λειτουργία» - βλ. ενότητα <i>Λειτουργίες Bluetooth</i> για αλλαγή λειτουργίας.
Πράσινη	—	—	—	Πρέσα σύσφιξης στην κανονική λειτουργία, σε αναμονή, πρέσα σύσφιξης έτοιμη να λειτουργήσει.
Κόκκινη	Κίτρινη	Κίτρινη	Κίτρινη	Το εργαλείο έχει υποστεί βλάβη. Το εργαλείο δεν λειτουργεί. Αφαιρέστε και ξανατοποθετήστε την μπαταρία ή τον μετασχηματιστή AC. Αν η λυχνία εξακολουθεί να ανάβει, δώστε το εργαλείο για σέρβις.
Κόκκινη	—	—	—	Το εργαλείο έχει υποστεί βλάβη. Το εργαλείο δεν λειτουργεί. Αφαιρέστε και ξανατοποθετήστε την μπαταρία ή τον μετασχηματιστή AC. Αν η κόκκινη λυχνία εξακολουθεί να ανάβει, δώστε το εργαλείο για σέρβις.
Κίτρινη	—	Κόκκινη	Κόκκινη	Εργαλείο και/ή μπαταρία εκτός του προδιαγεγραμμένου εύρους θερμοκρασίας. Το εργαλείο δεν λειτουργεί. Προσαρμόστε τη θερμοκρασία του εργαλείου και της μπαταρίας ώστε να βρίσκονται εντός του σωστού εύρους θερμοκρασίας λειτουργίας.
Κίτρινη	—	—	Κόκκινη	Ο πείρος στερέωσης εξαρτήματος δεν έχει εισαχθεί πλήρως. Το εργαλείο δεν λειτουργεί. Τοποθετήστε τον πείρο μέχρι μέσα. Αν οι λυχνίες εξακολουθούν να ανάβουν, δώστε το εργαλείο για σέρβις.
Κίτρινη	Κόκκινη	—	—	Χαμηλή μπαταρία. Το εργαλείο δεν λειτουργεί. Επαναφορτίστε την μπαταρία/τοποθετήστε πλήρως φορτισμένη μπαταρία.
Πράσινη	Μπλε	Μπλε	Μπλε	Η σύνδεση Bluetooth έχει πραγματοποιηθεί, σε αναμονή, πρέσα σύσφιξης έτοιμη να λειτουργήσει - Για περαιτέρω πληροφορίες, ανατρέξτε στην ενότητα για τις <i>Λειτουργίες Bluetooth</i> .
		Μοβ		Ενημέρωση υλικολογισμικού σε εξέλιξη, το εργαλείο δεν μπορεί να χρησιμοποιηθεί κατά τη διάρκεια της ενημέρωσης.

Εικόνα 5 – Λυχνίες κατάστασης εργαλείου

## Τεχνικά χαρακτηριστικά

	RP 350 Πρέσα σύσφιξης τύπου πιστολιού	RP 351 Πρέσα σύσφιξης τύπου ράβδου
Προσαρτήματα .....	Σειρά Standard της RIDGID	Σειρά Standard της RIDGID
Μήκος διαδρομής.....	1.57" (40 mm)	1.57" (40 mm)
Μοτέρ		
Τάση.....	Διαβαθμισμένη 18 V DC	Διαβαθμισμένη 18 V DC
Ένταση .....	23 A	23 A
Ισχύς .....	480 Watt	480 Watt
Δύναμη εμβόλου.....	7,200 lbs. (32 kN)	7,200 lbs. (32 kN)
Περιστροφή κεφαλής.....	360°	360°
Κύκλος δραστηριότητας.....	3 προσαριστές συσφίξεις  Λεπτό	3 προσαριστές συσφίξεις  Λεπτό
Παροχή ισχύος .....	Μπαταρία λιθίου-iónτων 18 V σειράς RB-18XX της RIDGID ή μετασχηματιστής RPA 120/220 AC της RIDGID (βλ. Ενότητα προαιρετικού εξοπλισμού)	

Εμβέλεια Bluetooth.....	33 ft. (10 m)	33 ft. (10 m)
Επιτρεπόμενη υγρασία.....	Μέγιστη 80%	Μέγιστη 80%
Εύρος θερμοκρασίας λειτουργίας.....	15°F έως 122°F (-10°C έως 50°C)	15°F έως 122°F (-10°C έως 50°C)
Θερμοκρασία φύλαξης.....	32°F έως 113°F (0°C έως 45°C)	32°F έως 113°F (0°C έως 45°C)
Βάρος (χωρίς μπαταρία/προσάρτημα)...	7.83 lbs (3,55 kg)	7.83 lbs (3,55 kg)
Διαστάσεις .....	11.3" x 11.0" x 3.1"	15.7" x 4.65" x 3.1"
	287 mm x 279 mm x 77 mm	398 mm x 118 mm x 77 mm
Ηχητική πίεση (L <sub>PA</sub> )* .....	<74,5 dB(A), K=3 dB(A)	<74,5 dB(A), K=3 dB(A)
Δόνηση* .....	<1,13 m/s <sup>2</sup> , K=1,5	<1,13 m/s <sup>2</sup> , K=1,5

\* Οι μετρήσεις ήχου και δονήσεων γίνονται σύμφωνα με ένα τυποποιημένο τεστ βάσει του Προτύπου EN 62481-1.

- Τα επίπεδα δονήσεων μπορούν να χρησιμοποιηθούν για σύγκριση με άλλα εργαλεία και για την προκαταρκτική εκτίμηση έκθεσης.

- Οι εκπομπές ήχου και δονήσεων ενδέχεται να διαφέρουν λόγω της τοποθεσίας που βρίσκεστε και της ειδικής χρήσης των εργαλείων αυτών.

- Για κάθε εφαρμογή πρέπει να αξιολογούνται τα καθημερινά επίπεδα έκθεσης στον ήχο και τις δονήσεις και να λαμβάνονται τα κατάλληλα μέτρα ασφαλείας όπου απαιτείται. Η εκτίμηση των επιπέδων έκθεσης πρέπει να λαμβάνει υπόψη τον χρόνο που ένα εργαλείο είναι απενεργοποιημένο και δεν χρησιμοποιείται. Με τον τρόπο αυτό μπορεί να μειωθούν σημαντικά τα επίπεδα έκθεσης στη συνολική διάρκεια της εργασίας.

## Βασικός εξοπλισμός

Ανατρέξτε στον κατάλογο της RIDGID για λεπτομερή στοιχεία σχετικά με τον εξοπλισμό που συνοδεύεται από αριθμούς καταλόγου για το συγκεκριμένο εργαλείο.

**ΣΗΜΕΙΩΣΗ!** Τα προσαρτήματα της πρέσας σύσφιξης RIDGID προσφέρονται σε δύο «σειρές»

- Σειρά Standard
- Σειρά Compact

Αυτές οι σειρές προσαρμογών δεν είναι εναλλάξιμες. Τα προσαρτήματα της σειράς standard συνεργάζονται μόνο με εργαλεία της σειράς standard (RP 350, RP 351, RP 342-XL, RP 340, RP 330, 320-E, CT-400). Τα προσαρτήματα της σειράς compact συνεργάζονται με εργαλεία της σειράς compact (RP 240, RP 241, RP 200, RP 210, 100B).

**ΕΠΙΣΗΜΑΝΣΗ** Ο σχεδιαστής του συστήματος και/ή ο επιβλέπων την εγκατάσταση είναι υπεύθυνοι να επιλέξουν τα κατάλληλα υλικά και τις μεθόδους συναρμογής. Πριν προχωρήσετε σε οιαδήποτε εγκατάσταση, θα πρέπει να έχουν αξιολογηθεί προσεκτικά οι συνθήκες της συγκεκριμένης εφαρμογής, συμπεριλαμβανομένων των χημικών παραμέτρων και της θερμοκρασίας της εφαρμογής. Για πληροφορίες σχετικά με τις επιλογές, συμβουλευτείτε τον κατασκευαστή του συστήματος συνδέσμου σύσφιξης.

## Επιθεώρηση πριν τη λειτουργία

### ⚠ ΠΡΟΕΙΔΟΠΟΙΗΣΗ



**Καθημερινά πριν από κάθε χρήση, επιθεωρείτε την πρέσα σύσφιξης και διορθώνετε τυχόν προβλήματα, ώστε να μειώνεται ο κίνδυνος σοβαρού τραυματισμού από ηλεκτροπληξία, σύνθλιψη, βλάβη του εξαρτήματος ή άλλα αίτια και να προλαμβάνονται τυχόν ζημιές στο εργαλείο.**

1. Σβήστε τον διακόπτη του εργαλείου και αφαιρέστε την μπαταρία/μετασχηματιστή ρεύματος από αυτό.
2. Καθαρίστε τυχόν λάδια, γράσα ή ακαθαρσίες από τον εξοπλισμό, ειδικά από τις λαβές και τα χειριστήρια. Έτσι διευκολύνεται ο έλεγχος και μειώνεται η πιθανότητα να σας γλιστρήσει το εργαλείο ή τα χειριστήρια.
3. Επιθεωρήστε την πρέσα ως προς τα εξής:
  - Σωστή συναρμολόγηση, συντήρηση και πληρότητα.
  - Εξαρτήματα που είναι σπασμένα, φθαρμένα, λείπουν, δεν είναι ευθυγραμμισμένα ή μαγκώνουν. Βεβαιωθείτε ότι οι υφασμάτινες θηλιές βρίσκονται σε καλή κατάσταση.
  - Ομαλή κίνηση του πείρου στερέωσης του προσαρτήματος ανάμεσα στην πλήρως ανοιχτή και την πλήρως κλειστή θέση. Ο πείρος θα πρέπει να κλειδώνει και στις δύο θέσεις. Βεβαιωθείτε ότι ο διακόπτης λειτουργίας κινείται ελεύθερα και δεν μαγκώνει ούτε κολλάει.
  - Η ετικέτα προειδοποίησης βρίσκεται στη θέση της και είναι ευανάγνωστη (βλ. Εικόνα 6).
  - Κάθε άλλη κατάσταση που μπορεί να εμποδίσει την ασφαλή και κανονική λειτουργία του μηχανήματος.

Μη χρησιμοποιείτε την πρέσα σύσφιξης μέχρις ότου διορθωθούν τα προβλήματα.



Εικόνα 6 - Λυχνίες κατάστασης/Ετικέτα προειδοποίησης

4. Επιθεωρείτε και συντηρείτε τα προσαρτήματα του εργαλείου σύμφωνα με τις οδηγίες τους. Αφαιρέστε το προσάρτημα από το εργαλείο. Βεβαιωθείτε ότι τα προσαρτήματα βρίσκονται σε καλή κατάσταση και με σαφείς ενδείξεις για τη χρήση τους.
5. Ελέγχετε και συντηρείτε τυχόν άλλα εξαρτήματα που χρησιμοποιείτε σύμφωνα με τις αντίστοιχες οδηγίες, προκειμένου να διασφαλίσετε τη σωστή τους λειτουργία.

## Ρύθμιση και λειτουργία

### ⚠️ ΠΡΟΕΙΔΟΠΟΙΗΣΗ



Μην πλησιάζετε τα δάχτυλα και τα χέρια σας στο προσάρτημα του εργαλείου κατά

τη διάρκεια του κύκλου πρεσαριστής σύσφιξης. Τα δάχτυλα και τα χέρια σας ενδέχεται να υποστούν σύνθλιψη, κάταγμα ή ακρωτηριασμό στο προσάρτημα, το εργαλείο ή ανάμεσα στο εργαλείο και το προσάρτημα, το αντικείμενο που δουλεύετε και άλλα αντικείμενα.

Κατά τη χρήση του προϊόντος δημιουργούνται μεγάλες δυνάμεις που μπορούν να σπάσουν ή να εκτινάξουν κομμάτια υλικού και να προκαλέσουν τραυματισμό. Κατά τη χρήση, να στέκεστε μακριά και να φοράτε κατάλληλο προστατευτικό εξοπλισμό και προστατευτικά για τα μάτια.

Χρησιμοποιείτε τον κατάλληλο συνδυασμό εργαλείου, εξαρτημάτων και συνδέσμων. Τυχόν λανθασμένος συνδυασμός μπορεί να έχει ως αποτέλεσμα μη ολοκληρωμένη πρεσαριστή σύνδεση, αυξάνοντας τον κίνδυνο διαρροής, ζημιάς του εξοπλισμού και τραυματισμών.

Ακολουθείτε τις οδηγίες της ενότητας **Ρύθμιση και λειτουργία** προκειμένου να μειώνεται ο κίνδυνος τραυματισμού από σύνθλιψη ή άλλες αιτίες και να αποφεύγεται τυχόν ζημιά στο εργαλείο.

1. Βεβαιωθείτε για την καταλληλότητα της περιοχής εργασίας (βλ. Γενικές προειδοποιήσεις ασφαλείας ηλεκτρικού εργαλείου). Χρησιμοποιείτε το εργαλείο σε καθαρό, επίπεδο, σταθερό σημείο χωρίς υγρασία. Μη χρησιμοποιείτε το εργαλείο ενώ στέκεστε σε νερό.
2. Εξετάστε την εργασία που πρόκειται να γίνει και καθορίστε το σωστό εργαλείο RIDGID και το σωστό προσάρτημα RIDGID για την εφαρμογή, σύμφωνα με τις προδιαγραφές τους. Η χρήση εσφαλμένου εξοπλισμού για μια εφαρμογή μπορεί να προκαλέσει τραυματισμό, ζημιά στο εργαλείο καθώς και μη ολοκληρωμένες συνδέσεις.
3. Βεβαιωθείτε ότι όλος ο εξοπλισμός έχει ελεγχθεί και τοποθετηθεί σύμφωνα με τις αντίστοιχες οδηγίες.

## Αφαίρεση/τοποθέτηση εξαρτήματος

1. Σβήστε τον διακόπτη του εργαλείου και αφαιρέστε την μπαταρία/μετασχηματιστή ρεύματος από αυτό.
2. Ανοίξτε πλήρως τον πείρο στερέωσης του προσαρτήματος. Αφαιρέστε/-τοποθετήστε το κατάλληλο προσάρτημα (Εικόνα 7).
3. Κλείστε πλήρως τον πείρο στερέωσης του προσαρτήματος μέχρι να κλειδώσει στην κλειστή θέση. Ο πείρος στερέωσης του προσαρτήματος πρέπει να είναι πλήρως κλειστός ώστε να μην προκληθεί ζημιά στο εργαλείο κατά τη χρήση. Οι λυχνίες κατάστασης ανάβουν για ένδειξη, βλ. Εικόνα 5 για τις λυχνίες κατάστασης εργαλείου.

**ΣΗΜΕΙΩΣΗ!** Μη χρησιμοποιείτε το εργαλείο χωρίς τοποθετημένο προσάρτημα, γιατί μπορεί να προκαλέσετε ζημιά στο εργαλείο.



Εικόνα 7 - Πείρος στερέωσης εξαρτήματος

## Προετοιμασία σύνδεσης

**ΕΠΙΣΗΜΑΝΣΗ** Αυτές οι οδηγίες αποτελούν γενικές πρακτικές που εφαρμόζονται σε διάφορα είδη προσαρτημάτων για πρέσες σύσφιξης. Ακολουθείτε πάντα τις συγκεκριμένες οδηγίες για το προσάρτημα της πρέσας σύσφιξης που χρησιμοποιείτε εκείνη τη στιγμή, καθώς και τις συγκεκριμένες οδηγίες εγκατάστασης του κατασκευαστή του συνδέσμου για να



μειώσετε τον κίνδυνο ακατάλληλων συνδέσεων σύσφιξης και πρόκλησης σοβαρών ζημιών στον εξοπλισμό σας.

1. Προετοιμάστε τη σύνδεση σύσφιξης σύμφωνα με τις οδηγίες του κατασκευαστή του συνδέσμου.
2. Με στεγνά χέρια, τοποθετήστε μια πλήρως φορτισμένη μπαταρία ή μετασχηματιστή ρεύματος στο εργαλείο. Αν χρησιμοποιείτε τον ενσύρματο μετασχηματιστή με GFCI, το GFCI (RCD) θα πρέπει να διαθέτει ονομαστική τιμή παραμένουτος ρεύματος 30 mA ή μικρότερη. Πατήστε το κουμπί ON/OFF (ενεργοποίηση/απενεργοποίηση) μία φορά για να ενεργοποιήσετε το εργαλείο. Όλες οι λυχνίες θα ανάψουν με πράσινο χρώμα, δείχνοντας ότι το εργαλείο είναι έτοιμο προς χρήση. Βλ. *Εικόνα 5* – Λυχνίες κατάστασης εργαλείου για όλες τις άλλες λυχνίες.

### Πρεσαριστή σύνδεση συνδέσμου με τυπικές σιαγόνες τύπου ψαλιδιού

1. Κρατήστε σωστά το εργαλείο και με τα δύο χέρια.

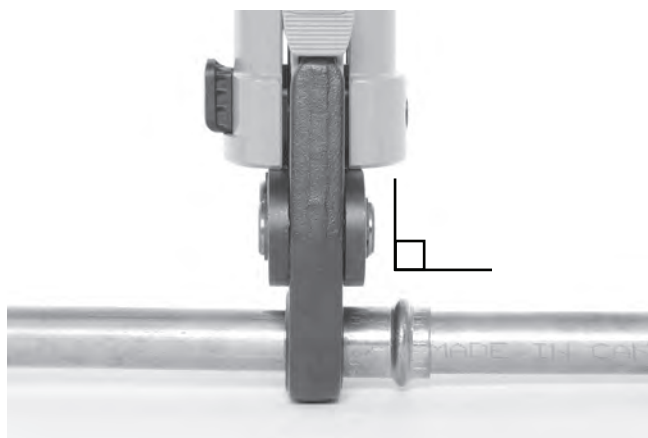


**Εικόνα 8 - Πώς να κρατάτε το εργαλείο**

2. Συμπιέστε τους βραχίονες των σιαγόνων για να ανοίξετε τις σιαγόνες.
3. Τοποθετήστε τις ανοιχτές σιαγόνες γύρω από τον σύνδεσμο (*Εικόνα 9*). Ευθυγραμμίστε σωστά το προφίλ πρεσαριστής σύνδεσης της σιαγόνας με το περίγραμμα του συνδέσμου, σύμφωνα με τις οδηγίες τοποθέτησης του κατασκευαστή του συνδέσμου. Ελευθερώστε τους βραχίονες των σιαγόνων για να κλείσετε τις σιαγόνες γύρω από τον σύνδεσμο. Μην κρεμάτε τις σιαγόνες τσοκ από τον σύνδεσμο. Το εργαλείο μπορεί να πέσει ξαφνικά και να προκαλέσει σοβαρό τραυματισμό ή θάνατο.



**Εικόνα 9 – Τοποθέτηση σιαγόνων τύπου ψαλιδιού γύρω από τον σύνδεσμο**



**Εικόνα 10 – Κάθετη τοποθέτηση σιαγόνων στον σύνδεσμο**

4. Βεβαιωθείτε ότι η σιαγόνα είναι σωστά και κάθετα τοποθετημένη στον σύνδεσμο (*Εικόνα 10*). Μην πλησιάζετε τα δάχτυλα και τα χέρια σας στις σιαγόνες, ώστε να αποφύγετε τυχόν σύνθλιψη στις σιαγόνες ή ανάμεσα στις σιαγόνες και τα γύρω αντικείμενα.

**Κανονική λειτουργία:** Πατήστε τον διακόπτη λειτουργίας (*Εικόνες 1 & 2*). Μόλις ξεκινήσει ο κύκλος λειτουργίας του εργαλείου και οι κύλινδροι έρθουν σε επαφή με τους βραχίονες των σιαγόνων, το εργαλείο θα κλειδώσει και θα ολοκληρώσει αυτόματα τον κύκλο. Απαξ και κλειδώσει, το εργαλείο δεν πρόκειται να σταματήσει ακόμη και αν αφήσετε τον διακόπτη. Έτσι, διασφαλίζεται η ακεραιότητα της ένωσης με συνεχή και επαναλαμβανόμενη πρεσαριστή σύνδεση.

**Λειτουργία χειρισμού:** Πατήστε τον διακόπτη λειτουργίας (*Εικόνες 1 & 2*). Οι σιαγόνες συνδέουν τον σύνδεσμο αλλά η πρεσαριστή σύνδεση δεν γίνεται. Πραγματοποιήστε τις ρυθμίσεις που χρειάζονται. Πατήστε ξανά τον διακόπτη λειτουργίας: το εργαλείο θα κλειδώσει και θα



ολοκληρώσει αυτόματα τον κύκλο. Άπαξ και κλειδώσει, το εργαλείο δεν πρόκειται να σταματήσει ακόμη και αν αφήσετε τον διακόπτη. Έτσι, διασφαλίζεται η ακεραιότητα της ένωσης με συνεχή και επαναλαμβανόμενη προσαριστή σύνδεση.

Αν το εργαλείο πρέπει να απομακρυνθεί πριν ολοκληρωθεί η προσαριστή σύνδεση, πατήστε το κουμπί απελευθέρωσης πίεσης (Εικόνες 1 & 2).

**ΕΠΙΣΗΜΑΝΣΗ** Οποιαδήποτε στιγμή και αν πατηθεί το κουμπί απελευθέρωσης, η προσαριστή σύνδεση ΔΕΝ θα ολοκληρωθεί. Θα πρέπει να εφαρμοστεί και πάλι η σύσφιξη του συνδέσμου για να ολοκληρωθεί. Αν παρουσιαστεί βλάβη στο εργαλείο κατά τη λειτουργία, ακολουθήστε την εξής διαδικασία.

5. Αφήστε τον διακόπτη λειτουργίας.
6. Συμπιέστε τους βραχίονες των σιαγόνων για να ανοίξετε τις σιαγόνες.
7. Αφαιρέστε τη σιαγόνα από τον σύνδεσμο. Αποφύγετε τα αιχμηρά άκρα που μπορεί να σχηματιστούν στον σύνδεσμο κατά την προσαριστή σύνδεση.
8. Μόλις ολοκληρωθεί η λειτουργία, πατήστε το κουμπί ON/OFF (ενεργοποίηση/απενεργοποίηση) μία φορά για να τερματίσετε τη λειτουργία του εργαλείου. Αφαιρέστε την μπαταρία ή τον μετασχηματιστή ρεύματος από το εργαλείο.

### Προσαριστή σύνδεση συνδέσμου με τυπικό ενεργοποιητή και δακτύλιο προσαριστής σύνδεσης

1. Ανοίξτε τον δακτύλιο και τοποθετήστε τον γύρω από τον σύνδεσμο. Ευθυγραμμίστε σωστά το προφίλ προσαριστής σύνδεσης του δακτυλίου με το περίγραμμα του συνδέσμου, σύμφωνα με τις οδηγίες τοποθέτησης του κατασκευαστή του συνδέσμου. Ελευθερώστε τον δακτύλιο για να κλείσει γύρω από τον σύνδεσμο (Εικόνα 11).
2. Βεβαιωθείτε ότι ο κατάλληλος ενεργοποιητής είναι εγκατεστημένος σωστά στο εργαλείο. Σφίξτε τους βραχίονες του ενεργοποιητή για να ανοίξουν τα άκρα του ενεργοποιητή. Ευθυγραμμίστε τα άκρα του ενεργοποιητή με τις υποδοχές του δακτυλίου. Ελευθερώστε τους βραχίονες του ενεργοποιητή και κουμπώστε πλήρως τα άκρα του ενεργοποιητή στις υποδοχές του δακτυλίου (Εικόνα 12). Η κακή ευθυγράμμιση του άκρου του ενεργοποιητή με την υποδοχή του δακτυλίου μπορεί να προκαλέσει ζημιά στον δακτύλιο ή τον ενεργοποιητή κατά την προσαριστή σύνδεση. Μην κρεμάτε το εργαλείο και τον ενεργοποιητή από τον δακτύλιο προσαριστής σύνδεσης. Το εργαλείο μπορεί να πέσει ξαφνικά και να προκαλέσει σοβαρό τραυματισμό ή θάνατο.



Εικόνα 11 – Τοποθέτηση δακτυλίου προσαριστής σύνδεσης στον σύνδεσμο



Εικόνα 12 – Σύνδεση ενεργοποιητή στον δακτύλιο προσαριστής σύνδεσης

3. Βεβαιωθείτε ότι ο δακτύλιος είναι σωστά και κάθετα τοποθετημένος στον σύνδεσμο. Μην πλησιάζετε τα δάχτυλα και τα χέρια σας στον ενεργοποιητή και τον δακτύλιο, ώστε να αποφύγετε τυχόν σύνθλιψη στο προσάρτημα ή ανάμεσα στο προσάρτημα και τα γύρω αντικείμενα.

**Κανονική λειτουργία:** Πατήστε τον διακόπτη λειτουργίας (Εικόνες 1 & 2). Μόλις ξεκινήσει ο κύκλος λειτουργίας του εργαλείου και οι κύλινδροι έρθουν σε επαφή με τους βραχίονες των σιαγόνων, το εργαλείο θα κλειδώσει και θα ολοκληρώσει αυτόματα τον κύκλο. Άπαξ και κλειδώσει, το εργαλείο δεν πρόκειται να σταματήσει ακόμη και αν αφήσετε τον διακόπτη. Έτσι, διασφαλίζεται η ακεραιότητα της ένωσης με συνεχή και επαναλαμβανόμενη προσαριστή σύνδεση.

**Λειτουργία χειρισμού:** Πατήστε τον διακόπτη λειτουργίας (Εικόνες 1 & 2). Οι σιαγόνες συνδέουν τον σύνδεσμο αλλά η προσαριστή σύνδεση δεν γίνεται. Πραγματοποιήστε τις ρυθμίσεις που χρειάζονται. Πατήστε ξανά τον

διακόπτη λειτουργίας; το εργαλείο θα κλειδώσει και θα ολοκληρώσει αυτόματα τον κύκλο. Άπαξ και κλειδώσει, το εργαλείο δεν πρόκειται να σταματήσει ακόμη και αν αφήσετε τον διακόπτη. Έτσι, διασφαλίζεται η ακεραιότητα της ένωσης με συνεχή και επαναλαμβανόμενη πρεσαριστή σύνδεση.

4. Αν το εργαλείο πρέπει να απομακρυνθεί πριν ολοκληρωθεί η πρεσαριστή σύνδεση, πατήστε το κουμπί απελευθέρωσης πίεσης (Εικόνες 1 & 2).

**ΕΠΙΣΗΜΑΝΣΗ** Οποιαδήποτε στιγμή και αν πατηθεί το κουμπί απελευθέρωσης, η πρεσαριστή σύσφιξη ΔΕΝ θα ολοκληρωθεί. Θα πρέπει να εφαρμοστεί και πάλι η πρεσαριστή σύνδεση για να ολοκληρωθεί. Αν παρουσιαστεί βλάβη στο εργαλείο κατά τη λειτουργία, ακολουθήστε την εξής διαδικασία.

5. Αφήστε τον διακόπτη λειτουργίας.
6. Σφίξτε τους βραχίονες του ενεργοποιητή για να ανοίξει ο ενεργοποιητής. Αφαιρέστε τον ενεργοποιητή από τον σύνδεσμο.
7. Αφαιρέστε τον δακτύλιο από τον σύνδεσμο. Αποφύγετε τα αιχμηρά άκρα που μπορεί να σχηματιστούν στον σύνδεσμο κατά την πρεσαριστή σύνδεση.
8. Μόλις ολοκληρωθεί η λειτουργία, πατήστε το κουμπί ON/OFF (ενεργοποίηση/απενεργοποίηση) μία φορά για να τερματίσετε τη λειτουργία του εργαλείου. Αφαιρέστε την μπαταρία ή τον μετασχηματιστή ρεύματος από το εργαλείο.

### Έλεγχος της πρεσαριστής σύνδεσης

1. Επιθεωρήστε τον πρεσαριστό σύνδεσμο ως προς τα εξής:
  - Πλήρης εισαγωγή του σωλήνα στον σύνδεσμο.
  - Υπερβολική έλλειψη ευθυγράμμισης των σωλήνων. Μια μικρή έλλειψη ευθυγράμμισης στην πρεσαριστή σύνδεση θεωρείται φυσιολογική.
  - Εσφαλμένη ευθυγράμμιση προσαρτήματος με το περίγραμμα του συνδέσμου. Αλλοιωμένος ή παραμορφωμένος σύνδεσμος.
  - Άλλα προβλήματα σύμφωνα με τις οδηγίες του κατασκευαστή του συνδέσμου. Ενδεικτικά, αφαίρεση ενός δακτυλίου ελέγχου ή σήματος (που χρησιμοποιείται για να δείξει ότι η σύνδεση δεν έχει πρεσαριστεί ακόμη).

Αν διαπιστωθούν προβλήματα, αφαιρέστε τον σύνδεσμο και εγκαταστήστε νέα πρεσαριστή σύνδεση.
2. Δοκιμάστε την πρεσαριστή σύνδεση σύμφωνα με τις οδηγίες του κατασκευαστή του συνδετήρα, τις καθιερωμένες πρακτικές και τους ισχύοντες κανόνες.

### Λειτουργίες Bluetooth (Ασύρματη μεταφορά δεδομένων)

Η πρέσα RP 350 και η πρέσα RP 351 της RIDGID® περιλαμβάνουν ασύρματη τεχνολογία Bluetooth® για ασύρματη μεταφορά δεδομένων σε κατάλληλα εξοπλισμένα έξυπνα κινητά και τάμπλετ («συσκευές») που διαθέτουν λειτουργικό σύστημα iOS ή Android.

1. Κατεβάστε την κατάλληλη εφαρμογή Link της RIDGID® στη συσκευή σας από τη διεύθυνση RIDGID.com/apps, από το Google Play Store ή το Apple App Store.
2. Όταν το εργαλείο είναι ενεργοποιημένο, μια συσκευή με ασύρματη τεχνολογία Bluetooth μπορεί να εντοπίσει και να δημιουργήσει ζεύξη με την πρέσα. Στις ρυθμίσεις Bluetooth της συσκευής σας, επιλέξτε το εργαλείο της RIDGID που επιθυμείτε. Για συγκεκριμένες πληροφορίες σχετικά με τον τρόπο σύνδεσης μέσω ασύρματης τεχνολογίας Bluetooth, ανατρέξτε στις οδηγίες της συσκευής σας. Μόλις συνδεθείτε, να ανάψουν οι λυχνίες κατάστασης εργαλείου με χρώμα πράσινο-μπλε-μπλε-μπλε. Μετά την αρχική ζεύξη, οι περισσότερες συσκευές θα συνδεθούν αυτόματα με τα Εργαλεία αν η ασύρματη τεχνολογία Bluetooth είναι ενεργή και εντός εμβέλειας και αν οι ρυθμίσεις της συσκευής έχουν διαμορφωθεί αναλόγως. Οι πρέσες σύσφιξης πρέπει να βρίσκονται σε απόσταση μικρότερη από 33 ft. (10 m) από τη συσκευή προς ανίχνευση. Τυχόν εμπόδια ανάμεσα στο εργαλείο και τη συσκευή μπορεί να μειώσουν το λειτουργικό εύρος.
3. Για ορθή χρήση, ακολουθήστε τις οδηγίες της εφαρμογής. Ο τρόπος λειτουργίας μπορεί να αλλάξει μέσω της εφαρμογής. Η εφαρμογή δίνει επίσης τη δυνατότητα παρακολούθησης των κύκλων του εργαλείου.
4. Η ασύρματη μεταφορά δεδομένων σταματά όταν σταματά και η λειτουργία της πρέσας σύσφιξης. Σβήστε την ασύρματη συσκευή Bluetooth για να ελαττώσετε την εξάντληση της μπαταρίας.

### Λειτουργία σε ψυχρό καιρό

Καθώς η θερμοκρασία πέφτει, το υδραυλικό υγρό γίνεται πιο παχύρευστο και η απόδοση της μπαταρίας μειώνεται. Για να μειωθεί ο κίνδυνος λανθασμένης λειτουργίας, οι πρέσες RP 350 και RP 351 δεν λειτουργούν εκτός του καθορισμένου εύρους θερμοκρασίας, όπως υποδεικνύεται από τις λυχνίες κατάστασης του εργαλείου (Εικόνα 5).

Όταν οι συνθήκες του περιβάλλοντος βρίσκονται εκτός των προδιαγραφών εύρους θερμοκρασίας, διατηρείτε το εργαλείο και τις μπαταρίες σε χώρο με κατάλληλη θερμοκρασία μέχρι να είναι έτοιμο προς χρήση.

## Φύλαξη

Αφαιρέστε την μπαταρία ή τον μετασχηματιστή ρεύματος από την πρέσα σύσφιξης. Φυλάξτε την πρέσα σύσφιξης και την μπαταρία στην κασετίνα. Αποφύγετε τη φύλαξη σε συνθήκες πολύ υψηλής ή πολύ χαμηλής θερμοκρασίας. Το εργαλείο δεν μπορεί να τεθεί σε λειτουργία αν βρίσκεται εκτός του προδιαγεγραμμένου εύρους. Η συνθήκη αυτή θα επισημαίνεται από τις λυχνίες κατάστασης του εργαλείου. (Βλ. Εικόνα 5)

**⚠ ΠΡΟΕΙΔΟΠΟΙΗΣΗ** Αποθηκεύετε το εργαλείο σε ξηρό, ασφαλές και κλειδωμένο χώρο, μακριά από παιδιά και άτομα που δεν είναι εξοικειωμένα με την πρέσα σύσφιξης. Το εργαλείο είναι επικίνδυνο σε χέρια ανειδίκευτων ατόμων.

## Οδηγίες συντήρησης

### ⚠ ΠΡΟΕΙΔΟΠΟΙΗΣΗ

**Πριν από συντήρηση ή τυχόν προσαρμογές, βεβαιωθείτε ότι το εργαλείο είναι κλειστό και ότι έχει αφαιρεθεί η μπαταρία ή ο μετασχηματιστής ρεύματος.**

### Καθαρισμός και λίπανση

1. Καθαρίζετε καθημερινά την εξωτερική επιφάνεια του εργαλείου με ένα καθαρό στεγνό πανί.
2. Ελέγξτε τον πείρο στερέωσης εξαρτήματος και λιπάνετε τον πείρο με λιπαντικό σιλικόνης, όπως απαιτείται.
3. Ελέγχετε τα ελατήρια επιστροφής στα προσαρτήματα μετά από κάθε χρήση. Τα προσαρτήματα πρέπει να ανοίγουν και να κλείνουν ελεύθερα με μια μέτρια μόνο πίεση των δαχτύλων.

## Σέρβις και επισκευή

### ⚠ ΠΡΟΕΙΔΟΠΟΙΗΣΗ

**Ακατάλληλο σέρβις ή επισκευή μπορεί να καταστήσει το εργαλείο μη ασφαλές για λειτουργία.**

Το σέρβις και οι επισκευές της πρέσας σύσφιξης RP 350 και της πρέσας σύσφιξης RP 351 πρέπει να πραγματοποιούνται μόνο από ανεξάρτητο κέντρο σέρβις εργαλείων πρεσαριστής σύνδεσης της RIDGID.

Για πληροφορίες σχετικά με το πλησιέστερο ανεξάρτητο εξουσιοδοτημένο κέντρο σέρβις της RIDGID στην περιοχή σας, ή για απορίες σχετικά με το σέρβις ή τις επισκευές, ανατρέξτε στην ενότητα *Πληροφορίες επικοινωνίας* αυτού του εγχειριδίου.

## Επίλυση προβλημάτων

ΣΥΜΠΤΩΜΑ	ΠΙΘΑΝΕΣ ΑΙΤΙΕΣ	ΕΠΙΛΥΣΗ
<p><b>Το εργαλείο δεν μπορεί να τεθεί σε λειτουργία όσο πιέζεται το κουμπί ON/OFF (ενεργοποίηση/ απενεργοποίηση).</b></p>	<p>Η μπαταρία είναι τελείως αποφορτισμένη ή δεν λειτουργεί.</p> <p>Η μπαταρία δεν έχει τοποθετηθεί σωστά στη λαβή του εργαλείου</p> <p>Ο μετασχηματιστής δεν έχει εισαχθεί σωστά στο εργαλείο.</p>	<p>Τοποθετήστε πλήρως φορτισμένη μπαταρία/ επαναφορτίστε την μπαταρία.</p> <p>Ελέγξτε και βεβαιωθείτε ότι η μπαταρία έχει τοποθετηθεί πλήρως.</p> <p>Τοποθετήστε σωστά τον μετασχηματιστή στο εργαλείο.</p>
<p><b>Το εξάρτημα έχει κολλήσει στον σύνδεσμο.</b></p>	<p>Η πρεσαριστή σύνδεση δεν ολοκληρώθηκε με επιτυχία.</p>	<p>Πατήστε το κουμπί απελευθέρωσης πίεσης για να απομακρύνετε τις σιαγόνες από τον σύνδεσμο. Επιθεωρήστε και εφαρμόστε ξανά την πρεσαριστή σύνδεση στον σύνδεσμο.</p>
<p><b>Οι πρεσαριστές συνδέσεις που έχουν παραχθεί δεν είναι ολοκληρωμένες.</b></p>	<p>Χρησιμοποιήστε λάθος σιαγόνα για το μέγεθος ή το υλικό του σωλήνα.</p> <p>Το εργαλείο δεν ήταν κάθετα κεντραρισμένο στον σωλήνα.</p> <p>Το περίγραμμα πρεσαριστής σύνδεσης του εξαρτήματος δεν ήταν ευθυγραμμισμένο με το περίγραμμα του συνδέσμου.</p> <p>Το εργαλείο χρειάζεται επισκευή.</p>	<p>Τοποθετήστε το σωστό εξάρτημα.</p> <p>Εφαρμόστε και πάλι την πρεσαριστή σύνδεση με νέο σύνδεσμο και νέο σωλήνα. Βεβαιωθείτε πως το εργαλείο είναι κεντραρισμένο στον σωλήνα.</p> <p>Εφαρμόστε και πάλι την ένωση με νέο σωλήνα και νέο σύνδεσμο. Βεβαιωθείτε ότι το περίγραμμα πρεσαριστής σύνδεσης του εξαρτήματος είναι ευθυγραμμισμένο με το περίγραμμα του συνδέσμου.</p> <p>Πηγαίνετε τον για σέρβις.</p>
<p><b>Διαρρέει λάδι από το εργαλείο.</b></p>	<p>Προβλήματα στεγανοποίησης ή μηχανικά προβλήματα.</p>	
<p><b>Ο κινητήρας λειτουργεί αλλά το εργαλείο δεν ολοκληρώνει τον κύκλο.</b></p>	<p>Χαμηλή στάθμη λαδιού.</p>	<p>Πηγαίνετε τον για σέρβις.</p>
<p><b>Το εργαλείο σταματά κατά τη λειτουργία.</b></p>	<p>Χαμηλή στάθμη λαδιού.</p>	

**Βλ. Εικόνα 5 – Λυχνίες κατάστασης εργαλείου**

## Προαιρετικός εξοπλισμός

### ⚠ ΠΡΟΕΙΔΟΠΟΙΗΣΗ

**Προκειμένου να μειωθεί ο κίνδυνος σοβαρού τραυματισμού, χρησιμοποιήστε μόνο τα εξαρτήματα που είναι ειδικά σχεδιασμένα και συνιστώνται για χρήση με τις πρέσες σύσφιξης RP 350 και RP 351, όπως αυτά που αναφέρονται παρακάτω.**

Μπαταρία και μετασχηματιστής ρεύματος

Αρ. καταλόγου	Περιγραφή
56513	Μπαταρία ιόντων λιθίου RB-1825 18V 2,5 Ah
56518	Μπαταρία ιόντων λιθίου RB-1850 18V 5,0 Ah
44468	Μετασχηματιστής 120 AC – Βόρεια Αμερική
43338	Μετασχηματιστής 220 AC – Ευρώπη
44823	Μετασχηματιστής 120 AC – Κίνα

Φορτιστές και καλώδια

Αρ. καταλόγου.		Περιοχή	Τύπος βύσματος
64383	Φορτιστής RBC-30	Βόρεια Αμερική	A
56523	Φορτιστής RBC-30	Ευρώπη	C
64388	Φορτιστής RBC-30	Κίνα	A
64393	Φορτιστής RBC-30	Αυστραλία	I
64378	Φορτιστής RBC-30	Ιαπωνία	A
64398	Φορτιστής RBC-30	Ηνωμένο Βασίλειο	G
64173	Καλώδιο φορτιστή RBC-30	Βόρεια Αμερική	A
64183	Καλώδιο φορτιστή RBC-30	Ευρώπη	C

Για πλήρη λίστα του εξοπλισμού RIDGID που διατίθεται για αυτά τα εργαλεία, ανατρέξτε στον διαδικτυακό κατάλογο της Ridge Tool στη διεύθυνση RIDGID.com ή στις Πληροφορίες επικοινωνίας.

## Απόρριψη

Τα εξαρτήματα αυτών των εργαλείων περιέχουν πολύτιμα υλικά και μπορούν να ανακυκλωθούν. Εταιρείες ανακύκλωσης υπάρχουν και κατά τόπους. Πρέπει να απορρίψετε τα εξαρτήματα σύμφωνα με όλους τους ισχύοντες κανονισμούς. Επικοινωνήστε με την υπηρεσία διαχείρισης απορριμμάτων της περιοχής σας για περισσότερες πληροφορίες.



**Για χώρες της ΕΚ:** Μην απορρίψετε τον ηλεκτρικό εξοπλισμό μαζί με οικιακά απορρίμματα!

Σύμφωνα με την Ευρωπαϊκή Οδηγία 2012/19/ΕΕ σχετικά με τα απόβλητα ηλεκτρικού και ηλεκτρονικού εξοπλισμού και την ενσωμάτωσή της στην εθνική νομοθεσία, ο ηλεκτρικός εξοπλισμός που δεν μπορεί πλέον να χρησιμοποιηθεί πρέπει να συλλέγεται ξεχωριστά και να απορρίπτεται με τρόπο φιλικό προς το περιβάλλον.



## Ηλεκτρομαγνητική συμβατότητα (EMC)

Με τον όρο ηλεκτρομαγνητική συμβατότητα ορίζουμε την ικανότητα του προϊόντος να λειτουργεί ικανοποιητικά σε περιβάλλον ηλεκτρομαγνητικής ακτινοβολίας και ηλεκτροστατικών εκφορτίσεων χωρίς να προκαλεί ηλεκτρομαγνητικές παρεμβολές σε άλλο εξοπλισμό.

**ΕΠΙΣΗΜΑΝΣΗ** Αυτά τα εργαλεία συμμορφώνονται με όλα τα ισχύοντα πρότυπα EMC. Παρ' όλα αυτά, η πιθανότητα να προκαλέσουν παρεμβολές σε άλλες συσκευές δεν μπορεί να αποκλειστεί. Όλα τα πρότυπα που αφορούν την ηλεκτρομαγνητική συμβατότητα (EMC) και έχουν δοκιμαστεί επισημαίνονται στο τεχνικό φυλλάδιο του εργαλείου.

## Δήλωση FCC/ICES

Αυτή η συσκευή συμμορφώνεται με την Ενότητα 15 των Κανόνων της FCC. Η λειτουργία υπόκειται στους ακόλουθους δύο όρους:

1. Η παρούσα συσκευή δεν θα πρέπει να προκαλεί επιβλαβή παρεμβολή.
2. Η παρούσα συσκευή θα πρέπει να δέχεται οποιαδήποτε ληφθείσα παρεμβολή, συμπεριλαμβανομένης της παρεμβολής που ενδέχεται να προκαλέσει ανεπιθύμητη λειτουργία.

Τροποποιήσεις που δεν είναι ρητά εγκεκριμένες από αυτή την εταιρεία μπορεί να ακυρώσουν το δικαίωμα του χρήστη να χρησιμοποιεί τη συσκευή.

Ο παρών εξοπλισμός έχει δοκιμαστεί και διαπιστώθηκε ότι συμμορφώνεται με τα όρια των ψηφιακών συσκευών Κλάσης A, σύμφωνα με την ενότητα 15 των κανόνων της FCC. Τα εν λόγω όρια έχουν καθοριστεί ούτως ώστε να παρέχεται εύλογη προστασία από επιβλαβείς παρεμβολές, όταν ο εξοπλισμός χρησιμοποιείται σε εμπορικό περιβάλλον. Ο παρών εξοπλισμός παράγει, χρησιμοποιεί και μπορεί να εκπέμπει ενέργεια ραδιοσυχνότητων και, εάν δεν έχει εγκατασταθεί και δεν χρησιμοποιείται σύμφωνα με το εγχειρίδιο οδηγιών, μπορεί να προκαλέσει επιβλαβείς παρεμβολές στις ραδιοεπικοινωνίες. Η χρήση αυτού του εξοπλισμού σε κατοικημένη περιοχή είναι πιθανόν να προκαλέσει επιβλαβείς παρεμβολές, και στην περίπτωση αυτή ο χρήστης θα χρειαστεί να διορθώσει τις παρεμβολές με δικά του έξοδα.

Το προϊόν αυτό πληροί τις προδιαγραφές Κλάσης A του καναδικού προτύπου ICES-003. Βλ. ετικέτα δήλωσης συμμόρφωσης πάνω στο εργαλείο.

# RP 350/RP 351

## Alati za prešanje



### **⚠ UPOZORENJE!**

Pažljivo pročitajte ovaj korisnički priručnik prije korištenja ovog alata. Nepoštivanje Uputa iz ovog priručnika može imati za posljedicu strujni udar, požar i/ili teške tjelesne ozljede.

#### RP 350/RP 351 alati za prešanje

U donji okvir upišite serijski broj s natpisne pločice i sačuvajte ga za buduće potrebe.

Serijski  
br.

## Sadržaj

<b>Obrazac za zapisivanje serijskog broja uređaja</b> .....	273
<b>Sigurnosni simboli/Simboli</b> .....	275
<b>Opća sigurnosna upozorenja za električni alat</b> .....	275
Sigurnost radnog područja.....	275
Zaštita od struje.....	275
Osobna zaštita .....	276
Korištenje i briga o električnom alatu .....	276
Korištenje i briga o bateriji.....	277
Servisiranje .....	277
<b>Posebne sigurnosne informacije</b> .....	277
Sigurnost preše.....	277
<b>Informacije za kontaktiranje RIDGID®</b> .....	277
<b>Opis</b> .....	278
<b>Tehničke karakteristike</b> .....	278
Standardna oprema .....	281
<b>Provjera prije uporabe</b> .....	281
<b>Namještanje i rad</b> .....	281
Skidanje/ugradnja nastavka.....	282
Pripremanje spoja .....	282
Utiskivanje umetka s uobičajenim čeljustima u obliku škara .....	282
Prešanje priključka s tipičnim aktuatorom i setom s prstenom za prešanje .....	283
Pregled prešanog spoja.....	284
Bluetooth funkcije (Bežični prijenos podataka) .....	284
Rad na hladnom vremenu .....	284
<b>Skladištenje</b> .....	285
<b>Upute za održavanje</b> .....	285
Čišćenje i podmazivanje.....	285
Servisiranje i popravak.....	285
Otklanjanje grešaka.....	286
<b>Neobavezna oprema</b> .....	286
<b>Zbrinjavanje</b> .....	287
<b>Elektromagnetska sukladnost (EMC)</b> .....	288
<b>Izjava FCC/ICES</b> .....	288
<b>Izjava o sukladnosti EZ</b> .....	Unutar stražnje korice
<b>Doživotno jamstvo</b> .....	Stražnja stranica

\*Prijevod originalnih uputa

## Sigurnosni simboli/Simboli

Sigurnosni znakovi i riječi upozorenja u ovom korisničkom priručniku i na proizvodu ukazuju na važne informacije o sigurnosti. Ova sekcija je predviđena za poboljšati razumijevanje ovih signalnih riječi i simbola.



Ovo je znak sigurnosnog upozorenja. Upozorava na potencijalnu opasnost od tjelesnih ozljeda. Da biste spriječili tjelesne ozljede i smrtni ishod, pridržavajte se svih sigurnosnih poruka koje slijede ovaj znak.

### ⚠ OPASNOST

OPASNOST ukazuje na opasnu situaciju koja, ako se ne izbjegne, može rezultirati teškim ozljedama ili smrtnim ishodom.

### ⚠ UPOZORENJE

UPOZORENJE označava opasnu situaciju koja, ako se ne izbjegne, može rezultirati teškim ozljedama ili smrtnim ishodom.

### ⚠ OPREZ

OPREZ označava opasnu situaciju koja, ako se ne izbjegne, može rezultirati lakšim ili srednje teškim ozljedama.

### NAPOMENA

NAPOMENA ukazuje na informacije vezane uz zaštitu imovine.



Ovaj znak Vas upozorava da prije korištenja opreme pažljivo pročitate korisnički priručnik. Korisnički priručnik sadrži važne informacije o sigurnosti i ispravnom radu opreme.



Ovaj znak upozorava na obveznu uporabu zaštitne maske ili zaštitnih naočala s bočnim štitnicima prilikom rukovanja ili korištenja ove opreme, kako bi se izbjegla opasnost od ozljeda očiju.



Ovaj znak ukazuje na rizik da ruke, prsti ili drugi dijelovi tijela budu prignječeni.



Ovaj znak označava opasnost od električnog udara.



Ovaj simbol pokazuje kako je proizvod namijenjen samo uporabi u zatvorenom prostoru.



Ovaj simbol pokazuje kako je proizvod oprema Klase II.



Ovaj simbol označava da se radi o električnoj opremi koja se ne smije odlagati zajedno s kućnim otpadom. Pogledajte poglavlje „Odlaganje“.



Ovaj simbol označava da ova električna oprema zadovoljava zahtjeve relevantnih direktiva EZ.



Ovaj simbol označava godinu proizvodnje proizvoda.

## Opća sigurnosna upozorenja za električni alat\*

### ⚠ UPOZORENJE

**Pročitajte sva sigurnosna upozorenja, upute, ilustracije i specifikacije koje ste dobili s ovim električnim alatom. Nepoštivanje uputa može za posljedicu imati strujni udar, požar i/ili tešku tjelesnu ozljedu.**

### SAČUVAJTE SVA UPOZORENJA I UPUTE KAO BUDUĆU REFERENCU!

Termin "električni alat" u upozorenjima se odnosi na vaš električni aparat koji se priključuje na izvor napona (sa kablom) ili električni aparat koji radi na baterije (bežični).

### Sigurnost radnog područja

- Održavajte radno područje čistim i dobro osvijetljenim. Neuredna ili mračna područja pogoduju nezgodama.

- Nemojte raditi s električnim alatom u eksplozivnom okruženju, kao što su ona u kojima postoje zapaljive tekućine, plinovi ili prašina. Električni alati stvaraju iskre koje mogu zapaliti prašinu ili plinove.
- Kada radite sa električnim alatom, držite djecu i prozalnike na dovoljnoj udaljenosti. Ometanje vam može odvratiti pozornost i dovesti do gubitka kontrole.

### Zaštita od struje

- Utikači električnog alata moraju odgovarati utičnici. Ni na koji način nemojte modificirati utikač. S električnim alatima koji trebaju biti uzemljeni nemojte koristiti nikakve adaptere za utikač. Nemodificirani utikači i odgovarajuće utičnice smanjuju rizik od električnog udara.
- Izbjegavajte tjelesni dodir s uzemljenim površinama poput cijevi, radijatora, štednjaka i hladnjaka. Ako je vaše tijelo uzemljeno postoji povećana opasnost od električnog udara.

\* Tekst korišten u odjeljku Opća sigurnosna upozorenja za električni alat ovog priručnika je doslovno preuzet, koliko je to bilo potrebno, iz relevantne norme UL/CSA 62841-1. Ovo poglavlje sadrži opća sigurnosna pravila sigurne prakse za nekoliko različitih tipova električnih alata. Nije svaka mjera opreza primjenjiva za svaki alat, a neke se ne primjenjuju za ovaj alat.

- **Ne izlažite električne alate padalinama ili mokrim uvjetima.** Voda koja uđe u električni alat povećava rizik od električnog udara.
- **Nemojte oštećivati kabel.** Kabel nemojte nikada upotrebljavati za nošenje, povlačenje ili za izvlačenje utikača električnog alata. Kabel držite dovoljno daleko od izvora topline, ulja, oštih rubova i pokretnih dijelova. Oštećeni ili zapleteni kabeli povećavaju rizik od strujnog udara.
- **Pri radu s električnim alatom na otvorenom koristite produžni kabel pogodan za korištenje na otvorenom.** Uporaba kabela pogodnog za korištenje na otvorenom smanjuje rizik od strujnog udara.
- **Ako je rad s električnim alatom na vlažnom mjestu neizbježan, koristite zaštitnu strujnu sklopku (GFCI) u slučaju otkaza mase.** Uporaba GFCI sklopke smanjuje rizik od strujnog udara.

## Osobna zaštita

- **Tijekom uporabe električnog alata budite pažljivi, pratite što radite i razumno koristite električni alat.** Nemojte upotrebljavati električni alat ako ste umorni ili pod utjecajem droga, alkohola ili lijekova. Trenutak nepažnje pri radu s električnim alatima može za posljedicu imati teške ozljede.
- **Upotrebljavajte opremu za osobnu zaštitu. Uvijek nosite zaštitu za oči.** Oprema za osobnu zaštitu, kao na primjer maska protiv prašine, zaštitne cipele s potplatima protiv klizanja, zaštitna kaciga ili štitnici za sluh, koja se koristi za odgovarajuće uvjete, umanjiti će opasnost od ozljede.
- **Spriječite nehotično pokretanje. Osigurajte da je prekidač u položaju ISKLJUČENO prije spajanja na napajanje i/ili na bateriju, podizanja ili nošenja alata.** Nošenje električnih alata dok vam je prst na prekidaču ili nabijanje električnih alata kojima je prekidač u položaju UKLJUČENO izazivaju nesreće.
- **Uklonite sve koje ključeve za podešavanje prije UKLJUČIVANJA električnog alata.** Ključ ili pribor koji su ostali na rotirajućem dijelu električnog alata mogu izazvati ozljede.
- **Nemojte posezati predaleko. Provjerite stojite li na čvrstoj podlozi i u svakom trenutku zadržite ravnotežu.** To omogućuje bolji nadzor električnog alata u neočekivanim uvjetima.
- **Propisno se oblačite. Nemojte nositi lepršavu odjeću i nakit. Kosu, odjeću i rukavice držite podalje od pokretnih dijelova.** Labava odjeća, nakit ili duga kosa mogu biti zahvaćeni pokretnim dijelovima.
- **Ako postoje uređaji za povezivanje sa usisivačima i sakupljačima prašine, provjerite jesu li dobro spojeni i koriste li se ispravno.** Uporaba takve opreme umanjuje opasnost koja nastaje nakupljanjem prašine.
- **Ne dopustite da vas znanje o rukovanju koje ste dobili čestom upotrebom alata učini neopreznim tako da zanemarite sigurnosne principe rukovanja alatom.** Neoprezan rad može prouzrokovati tešku ozljedu u djeliću sekunde.

## Korištenje i briga o električnom alatu

- **Nemojte preopteretiti električni alat. Upotrebljavajte odgovarajuće električne alate za određenu namjenu.** Odgovarajući električni alat uradit će posao bolje i sigurnije u nazivnoj snazi za koju je dizajniran.
- **Nemojte upotrebljavati električni alat ako se sklopkom za uključivanje/isključivanje oprema ne može UKLJUČITI i ISKLJUČITI.** Električni alat koji ne možete nadzirati sklopkom za uključivanje/isključivanje opasna je i morate je popraviti.
- **Prije podešavanja, mijenjanja nastavaka ili spremanja alata odspojite utikač iz utičnice i/ili izvadite uložak baterije iz alata.** Takve preventivne sigurnosne mjere smanjuju opasnost od slučajnog uključivanja alata.
- **Kada ne koristite električni alat, držite ga podalje od dohvata djece, a osobama koje nisu upoznate s električnim alatom ili koje nisu pročitale ove upute za uporabu nemojte dopuštati da ga koriste.** Električni alati su opasni ako ih koriste neobučene osobe.
- **Održavajte električne alate. Provjerite jesu li pokretni dijelovi alata loše postavljeni ili spojeni, nisu li dijelovi popucali te postoje li drugi uvjeti koji mogu utjecati na rad električnog alata. Prije uporabe popravite oštećenu električni alat.** Neispravno održavanje električnih alata uzrokuje mnoge nesreće.
- **Alate za rezanje održavajte oštima i čistima.** Ispravno održavani alati za rezanje s oštrim rubovima manje se savijaju i lakši su za kontroliranje.
- **Električni alat, dodatnu opremu, bitove itd. koristite prema ovim Uputama, uzevši u obzir radne uvjete i posao koje treba obaviti.** Upotreba električnog alata za radnje za koje ona nije predviđena može dovesti do opasnih situacija.
- **Ručke držite suhima, a rukohvate čistima, te bez ulja i masti.** Klizave ručke i površine za hvatanje ne omogućuju sigurno rukovanje i kontrolu nad alatom u nepredviđenim situacijama.



## Korištenje i briga o bateriji

- **Punite samo sa punjačem koji je odredio proizvođač.** Punjač koji je prikladan za određenu vrstu baterije može uzrokovati požar ako se koristi za neku drugu vrstu baterije.
- **Koristite električne alate samo uz pomno određene baterije.** Uporaba bilo koje druge baterije može uzrokovati povrede i požar.
- **Kada se uložak baterije ne koristi, čuvajte ga dalje od drugih metalnih predmeta kao što su spajalice, kovanice, ključevi, čavli, vijci i drugi mali metalni predmeti koji bi mogli spojiti kontakte baterije.** Kratki spoj u priključku baterije može uzrokovati opekline ili požar.
- **Baterija može izbaciti tekućinu ako zlouporabite uvjete; izbjegavajte bilo kakav kontakt. Ako slučajno dođe do kontakta, isperite vodom. Potražite i liječničku pomoć ako oči dođu u dodir s tekućinom.** Tekućina iz baterije može uzrokovati iritaciju ili opekline.
- **Nemojte koristiti uložak s baterijom ili alat ako su oštećeni ili mijenjani.** Oštećene ili izmijenjene baterije mogu pokazivati nepredvidivo ponašanje, koje može dovesti do požara, eksplozije ili opasnosti od ozljeda.
- **Nemojte izlagati bateriju ili alat vatri ili prevelikoj temperaturi.** Izlaganje vatri ili temperaturi preko 265 °F (130 °C) može uzrokovati eksploziju.
- **Slijedite sve upute za punjenje i nemojte puniti niti čuvati pakiranje baterija ili alata izvan temperaturnog raspona navedenog u uputama.** Neispravno punjenje ili punjenje pri temperaturama izvan navedenog raspona može oštetiti bateriju i povećati opasnost od požara.

## Servisiranje

- **Električni alat može servisirati samo kvalificirano servisno osoblje upotrebljavajući identične zamjenske dijelove.** To će zajamčiti očuvanje sigurnosti električnog alata.

## Posebne sigurnosne informacije

### ▲ UPOZORENJE

Ovaj odjeljak sadrži važne sigurnosne informacije koje su karakteristične za ovaj alat.

**Pažljivo pročitajte ove mjere opreza prije uporabe alata za prešanje kako biste smanjili opasnost od strujnog udara ili druge ozbiljne ozljede.**

**SAČUVAJTE SVA UPOZORENJA I UPUTE KAO BUDUĆU REFERENCU!**

Odjeljak u kućištu za prijenos alata koristi se za čuvanje ovog priručnika s alatom koji koristi operater.

## Sigurnost preše

- **Tijekom ciklusa prešanja držite prste i ruke dalje od dodatka za prešanje.** Može doći do gnječenja, lomljenja ili amputacije prstiju ili ruku ako se uhvate između dodatka ili između ovih komponenti i drugih predmeta.
- **Nikad ne pokušavajte popraviti oštećene dodatke za prešanje (čeljusti, prsten za prešanje, aktuator itd.). Odbacite cijeli oštećeni dodatak.** Dodatak koji je zavarivan, oštren, bušen ili na bilo koji način mijenjan se može slomiti tijekom prešanja i uzrokovati tešku ozljedu. Ako se ne zamijeni cijeli dodatak za prešanje, može doći do kvara komponente i teške ozljede.
- **Tijekom rada proizvoda stvaraju se velike sile koje mogu dovesti do pucanja ili leta dijelova i uzrokovanja ozljede.** Odmaknite se dovoljno tijekom korištenja i koristite zaštitnu opremu, uključujući zaštitu za oči.
- **Koristite isključivo alate za prešanje RIDGID® s odgovarajućim dodacima za prešanje RIDGID ili onima koje odobri RIDGID (čeljusti, prstenje za prešanje, aktuator itd.).** Druge uporabe ili modifikacije alata za prešanje za druge primjene mogu oštetiti alat za prešanje, oštetiti priključke i/ili uzrokovati ozljedu.
- **Koristite odgovarajuće kombinacije alata, dodataka i priključaka.** Nepravilne kombinacije mogu dovesti do nepotpunih spojeva, što povećava rizik od curenja, oštećenja opreme i ozljeda.
- **Prije rada s alatom za prešanje RIDGID®, pročitajte i shvatite:**

Ovaj priručnik za korisnike

– Upute za nastavke

– Priručnik za bateriju/punjač

– Upute proizvođača o instalaciji umetaka

– Upute za bilo koju drugu opremu ili materijal koji se koristi s ovim alatom

Nepridržavanje svih upozorenja i uputa može dovesti do imovinske štete i/ili teških tjelesnih ozljeda.

## Informacije za kontaktiranje RIDGID®

Ako imate bilo kakvih pitanja u vezi ovog RIDGID® proizvoda:

– Kontaktirajte lokalnog RIDGID distributera.

– Posjetite RIDGID.com kako biste pronašli svoju lokalnu kontaktnu točku za RIDGID.

- Ako je to potrebno, kontaktirajte Ridge Tooltehnički servis na [rttechservices@emerson.com](mailto:rttechservices@emerson.com), a u SAD-u i Kanadi nazovite (800) 519-3456.

## Opis

Alati za prešanje RIDGID® RP 350 i RP 351, kada se koriste s odgovarajućim nastavcima, su projektirani za mehaničko prešanje priključaka na cijevi za izradu vodonepropusnih i trajnih brtvi, primjerice u vodovodnim, toplinskim, klimatizacijskim i rashladnim primjenama. Dostupni su dodaci i za druge primjene.

Kad se prekidač za rad na alatu za prešanje pritisne, interni električni motor pokreće hidrauličku pumpu koja šalje tekućinu u cilindar alata, pomjerajući klip prema naprijed i prenoseći silu na dodatak, pritiskujući priključak. Ciklus prešanja traje oko 4 sekunde. Kad ciklus počne oblikovati priključak, automatski se nastavlja do završetka, čak i ako se otpusti prekidač za rad.

Alat uključuje i drugi način rada („Kontrolni način rada“) koji se može uključiti putem aplikacije RIDGID Link. Kontrolni način rada omogućava aktivaciju priključka prije prešanja, kako bi se omogućila potvrda ispravnog poravnavanja dodatka, priključka i cijevi.

Statusna svjetla alata ukazuju na stanje alata, stanje baterije, potrebu za održavanjem ili neodgovarajuću temperaturu. Radno svjetlo se UKLJUČUJE kad se prekidač za rad pritisne kako bi osvijetlilo područje rada. Radi boljeg pristupa u uskim prostorima, glava se može okretati za 360°.

Alati se isporučuju s petljama od tkanine koje se mogu koristiti s odgovarajućim nastavcima kao što su trake za ramena ili užad za vezanje.



**Slika 1 – Alat za prešanje RIDGID RP 350 i čeljusti serije Standard**

Alati za prešanje uključuju Bluetooth®\* bežičnu tehnologiju za omogućavanje povezivanja s pametnim telefonima i tabletima. Pogledajte odjeljak „Bluetooth funkcije (bežični prijenos podataka)“ za pojedinosti.

\* Riječ Bluetooth® i logotipi su registrirane robne marke tvrtke Bluetooth SIG, inc i svaka upotreba tih oznaka od strane tvrtke Emerson Electric Co. je licencirana. Ostale robne marke i robni nazivi pripadaju svojim vlasnicima.



**Slika 2 – Alat za prešanje RIDGID RP 351 i čeljusti serije Standard**

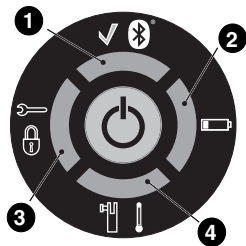
#	Opis
1	Komplet čeljusti u obliku škara
2	Trn za montiranje nastavka
3	Svjetla statusa alata
4	Gumb ON/OFF (UKLJUČENO/ISKLJUČENO)
5	Naljepnica s upozorenjem (RP 351 donja strana)
6	Tvornička traka
7	Tipka za otpuštanje tlaka (RP 351 Druga strana)
8	Ručica
9	Baterija
10	Prekidač 'Run'
11	LED Radno svjetlo
12	Bočna ploča čeljusti



Slika 3 – Serijski broj stroja - Zaokružene brojke ukazuju na godinu i mjesec proizvodnje. (YY = godina, MM = mjesec).

Upravljanje	Oznake	Opis
Gumb za Uklj./Isklj.		Glavni prekidač za napajanje alata. (I = ON (UKLJUČENO), O = OFF (ISKLJUČENO)). ON (UKLJUČENO): Pritisnite gumb dok se svjetlo ne UKLJUČI. Pogledajte Sliku 5 - Svjetla statusa alata. OFF (ISKLJUČENO): Pritisnite gumb dok se svjetla ne ISKLJUČE. Alat će se automatski isključiti ako se ne koristi deset (10) minuta.
Prekidač 'Run'	—	<b>Uključite radno svjetlo:</b> Lagano pritisnite prekidač za rad. <b>Normalni način rada:</b> Pritisnite prekidač za rad kako biste započeli ciklus prešanja, pustite kad se alat blokira. Normalni način rada je tvornička postavka. <b>Kontrolni način rada:</b> Pritisnite prekidač za rad kako biste aktivirali dodatak na dijelu na kojem radite. Prilagodite po potrebi. Ponovno pritisnite prekidač za rad kako biste započeli ciklus prešanja, pustite kad se alat blokira. Otpuštanjem prekidača neće se zaustaviti alat nakon što se zaključa. To osigurava postojan, ponovljiv integritet spoja preše. Način rada se može promijeniti putem aplikacije RIDGID Link, pogledajte odjeljak Bluetooth funkcije.
Tipka za otpuštanje tlaka		Omogućava otpuštanje alata bez završetka prešanja. Ako se koristi, spoj prešanja nije završen i mora se ponoviti.
Trn za montiranje nastavka	—	Drži dodatak na alatu. Za rad se mora do kraja umetnuti. Vidi Sliku 6.

Slika 4 – Grafikoni upravljanja



Broj segmenta svjetla (Svjetlo stalno uključeno)				Opis
1 ✓ 🔌	2 🔋	3 🔒	4 🔊	
—	—	—	—	Alat za prešanje isključeno (ISKLJUČENO).
Zeleno	Zeleno	Zeleno	Zeleno	Pritisnut gumb UKLJUČENO, svjetlo svijetli 4 sekunde pri pokretanju, alat u „Normalnom načinu rada“
Plavo	Plavo	Plavo	Plavo	Pritisnut gumb UKLJUČENO, svjetlo svijetli 4 sekunde pri pokretanju, alat u „Kontrolnom načinu rada“ - pogledajte odjeljak <i>Bluetooth funkcije</i> za promjenu načina rada.
Zeleno	—	—	—	Alat za prešanje u Normalnom načinu rada, alat za prešanje spreman za korištenje.
Crvena	Žuta	Žuta	Žuta	Alat je neispravan. Alat neće raditi. Izvadite, pa vratite bateriju ili adapter za izmjeničnu struju. Ako je svjetlo i dalje uključeno, servisirajte alat.
Crvena	—	—	—	Alat je neispravan. Alat neće raditi. Izvadite, pa vratite bateriju ili adapter za izmjeničnu struju. Ako je crveno svjetlo i dalje uključeno, servisirajte alat.
Žuta	—	Crvena	Crvena	Alat i/ili baterija izvan navedenog raspona temperature. Alat neće raditi. Dovedite alat i bateriju u ispravan raspon temperature za rad.
Žuta	—	—	Crvena	Trn za montiranje nastavka nije do kraja umetnut. Alat neće raditi. Do kraja umetnite klin. Ako su svjetla i dalje uključena, servisirajte alat.
Žuta	Crvena	—	—	Baterija prazna. Alat neće raditi. Napunite bateriju/umetnite potpuno napunjenu bateriju.
Zeleno	Plavo	Plavo	Plavo	Bluetooth veza uspostavljena, čekanje, alat za prešanje spreman za rad - Za više informacija pogledajte odjeljak <i>Bluetooth funkcije</i> .
		Ljubičasta		Ažuriranje firmvera u tijeku, alat se ne može koristiti tijekom ažuriranja.

**Slika 5 – Svjetla statusa alata**

## Tehničke karakteristike

	<b>Alat za prešanje u obliku pištolja RP 350</b>	<b>Ugrađeni alat za prešanje RP 351</b>
Dodaci.....	RIDGID Serija Standard	Serija RIDGID Standard
Duljina hoda .....	1.57" (40 mm)	1.57" (40 mm)
Motor		
Napon .....	18 V DC označeno	18 V DC označeno
Amperaža.....	23 A	23 A
Snaga .....	480 Watt	480 Watt
Sila klipa.....	7200 lbs. (32 kN)	7200 lbs. (32 kN)
Rotacija glave .....	360°	360°
Ciklus rada.....	3 Prešanje /min	3 Prešanje /min
Napajanje .....	Serija RIDGID RB-18XX 18 V uložak s baterijom Li-Ion ili RIDGID RPA 120/220 mrežni adapter za izmjeničnu struju ( <i>Pogledati odjeljak Izborna oprema</i> )	
Domet Bluetooth-a .....	33 ft. (10 m)	33 ft. (10 m)
Dozvoljena vlažnost .....	najviše 80%	najviše 80%
Raspon radne temperature .....	15° F do 122° F (-10° C do 50° C)	15° F do 122° F (-10° C do 50° C)
Temperatura skladištenja.....	32° F do 113° F (0° C do 45° C)	32° F do 113° F (0° C do 45° C)
Težina (bez baterije/dodatka) .....	7.83 lbs (3,55 kg)	7.83 lbs (3,55 kg)
Dimenzije .....	11.3" x 11.0" x 3.1" 287 mm x 279 mm x 77 mm	15.7" x 4.65" x 3.1" 398 mm x 118 mm x 77 mm

Tlak zvuka ( $L_{pA}$ )\* ..... <74,5 dB(A), K=3 dB(A)

<74,5 dB(A), K=3 dB(A)

Vibracija\* ..... <1,13  $m/s^2$ , K=1,5

<1,13  $m/s^2$ , K=1,5

\* Mjerenja vibracija i buke izvršena su u skladu sa standardiziranim testom prema Standardu EN 62481-1.

- Razine vibracija mogu se koristiti za usporedbu s drugim alatima i za preliminarnu procjenu izloženosti.

- Emisije buke i vibracija mogu se razlikovati ovisno o vašoj lokaciji i uporabi tih alata.

- Dnevne razine izloženosti buci i vibracijama moraju se procijeniti za svaku primjenu i po potrebi uz uporabu primjerenih sigurnosnih mjera. Za procjenu razina izloženosti treba uzeti u obzir vrijeme tijekom kojeg je alat isključen i nije u uporabi. To može značajno smanjiti razinu izloženosti tijekom ukupnog razdoblja rada.

## Standardna oprema

Pogledajte RIDGID katalog za detalje o opremi koja je isporučena s određenim kataloškim brojem alata.

NAPOMENA! Dodaci za alate za prešanje RIDGID se nude u dvije „serije“

- Serija Standard
- Serija Compact

Ove serije dodataka nisu međusobno zamjenjive. Dodaci iz serije Standard rade samo s alatima iz standardne serije (RP 350, RP 351, RP 342-XL, RP 340, RP 330, 320-E, CT-400). Dodaci iz serije Compact rade samo s alatima iz kompaktne serije (RP 240, RP 241, RP 200, RP 210, 100B).

**NAPOMENA** Odabir odgovarajućih materijala, metode spajanja su odgovornost projektanta sustava i/ili montera. Prije pokušaja instalacije treba pažljivo procijeniti specifično servisno okruženje, uključujući i kemijsko okruženje i servisnu temperaturu. Za informacije o odabiru se savjetujte s proizvođačem sustava priključaka za alate za prešanje.

## Provjera prije uporabe

### ⚠ UPOZORENJE



**Svakodnevno prije uporabe pregledajte alat za prešanje i uklonite eventualne probleme kako biste smanjili opasnost od teških ozljeda uslijed strujnog udara, prignječenja, kvara nastavaka i drugih uzroka, te spriječili oštećenje alata.**

**kih ozljeda uslijed strujnog udara, prignječenja, kvara nastavaka i drugih uzroka, te spriječili oštećenje alata.**

1. ISKLJUČITE alat i izvadite bateriju/adapter za izmjeničnu struju iz alata.
2. Očistite ulje, masnoću ili prljavštinu sa opreme, posebno s ručke i kontrola. To olakšava pregled i pomaže u sprječavanju da alat ili kontrole iskliznu iz ruke.
3. Pregledajte prešu za:
  - Ispravno sastavljanje, održavanje i cjelovitost.
  - Slomljeni, istrošeni, dijelovi koji nedostaju, nepravilni ili savijeni dijelovi. Potvrdite da su petlje od tkanine u dobrom stanju.
  - Neometano kretanje klina za montažu dodatka između potpuno otvorenog i potpuno zatvorenog polo-

žaja. Klin se mora blokirati u svakom od položaja. Potvrdite da se prekidač za pokretanje kreće slobodno, te da se ne savija ili zapinje.

- Prisutnost i čitljivost naljepnice za upozorenje (*pogledajte Sliku 6*).
- Ostala stanja koja mogu spriječiti siguran i normalan rad. Nemojte koristiti alat za prešanje dok se svi problemi ne poprave.



Gumb ON/OFF  
(UKLJUČENO/ISKLJUČENO)

Slika 6 - Svjetla statusa/Naljepnica upozorenja

4. Pregledavajte i održavajte dodatke sukladno njihovim uputama. Skinite dodatak s alata. Potvrdite da su dodaci u dobrom stanju i jasno označeni prema svojoj namjeni.
5. Pregledavajte i održavajte svu ostalu opremu koja se koristi prema odgovarajućim uputama kako biste se uvjerali da radi ispravno.

## Namještanje i rad

### ⚠ UPOZORENJE



**Tijekom ciklusa prešanja držite prste i ruke dalje od dodatka za alat. Vaši prsti ili ruke mogu se priklještit, slomiti ili amputirati u dodatku, alatu ili alata i dodatka, te dijela na kojem radite i drugih predmeta.**



Tijekom korištenja proizvoda stvaraju se velike sile koje mogu dovesti do pucanja ili leta dijelova i ozljeda. Odmaknite se dovoljno tijekom korištenja i koristite zaštitnu opremu, uključujući zaštitu za oči.

**Koristite odgovarajuće kombinacije alata, nastavka i priključka. Nepravilne kombinacije mogu dovesti do nepotpunog spajanja preše, što povećava opasnost od curenja, oštećenja opreme i ozljeda.**

**Slijedite Postavljanje i Rad kako bi se smanjila opasnost od ozljeda zbog priklještenja i drugih uzroka i spriječila oštećenja alata.**

1. Potvrdite odgovarajuće područje rada (*Pogledati Općenita sigurnosna upozorenja za električni alat*). Radite na čistoj, ravnoj, stabilnoj i suhoj lokaciji. Ne koristite alat dok stojite u vodi.
2. Pregledajte posao koji treba obaviti i odredite točan alat RIDGID i dodatak RIDGID za primjenu, prema njihovim specifikacijama. Korištenje opreme za određenu svrhu može uzrokovati ozljedu, oštetiti alat i uzrokovati neispravne spojeve.
3. Provjerite sa je sva oprema pregledana i postavljena prema odgovarajućim uputama.

### Skidanje/ugradnja nastavka

1. ISKLJUČITE alat i izvadite bateriju/adapter za izmjeničnu struju iz alata.
2. Potpuno otvorite klin za montažu dodatka. Uklonite/umetnite odgovarajući dodatak (*Slika 7*).
3. Potpuno zatvorite klin za montažu nastavka dok se ne blokira u zatvorenom položaju. Klin za montažu nastavka mora biti potpuno zatvoren kako bi se spriječio oštećenje alata tijekom korištenja. Svjetla statusa alata će se uključiti kako bi pokazivala *pogledati Sliku 5 za Svjetla statusa alata*.

**NAPOMENA!** Nemojte raditi s alatom bez postavljenog dodatka, to može oštetiti alat.



**Slika 7 – Trn za montiranje nastavka**

### Pripremanje spoja

**NAPOMENA** Ove su upute uopćene prakse za više vrsta dodataka za alat za prešanje. Uvijek slijedite specifične upute za dodatak za alat za prešanje kojeg ćete koristiti, kao i posebne upute proizvođača za instalaciju priključka, kako biste smanjili rizike od neispravnih spojeva i značajnog oštećenja imovine.

1. Pripremite spoj za prešanje sukladno uputama proizvođača priključka.
2. Suhim rukama umetnite posve napunjenu bateriju ili adapter za izmjeničnu struju u alat. Ako koristite žični mrežni adapter s GFCI, GFCI (RCD) mora imati nazivnu rezidualnu struju od 30 mA ili manje. Pritisnite jednom gumb ON/OFF (UKLJUČENO/ISKLJUČENO) kako biste UKLJUČILI alat. Sve LED lampice će biti uključene, pokazujući kako je alat spreman za upotrebu. *Pogledajte Sliku 5 – Svjetla statusa alata za sva ostala svjetla.*

### Utiskivanje umetka s uobičajenim čeljustima u obliku škara

1. Alat držite pravilno s obje ruke.

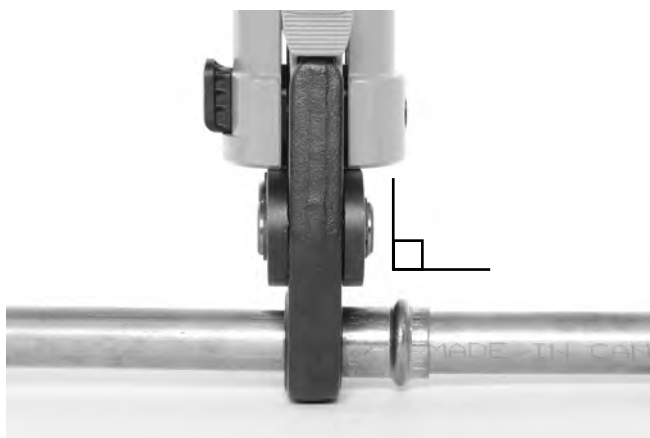


**Slika 8 - Držanje alata**

2. Stisnite ruke čeljusti kako biste ih otvorili.
3. Postavite otvorene čeljusti oko priključka (*Slika 9*). Pravilno poravnajte profil čeljusti za prešanje s rubovima priključka, kao što je opisano u uputama za instalaciju proizvođača priključka. Otpustite krakove čeljusti kako biste zatvorili čeljusti oko priključka. Nemojte vješati komplet čeljusti sa priključka. Alat može slučajno pasti i uzrokovati tešku ozljedu ili smrt.



Slika 9 – Postavljanje čeljusti u obliku škara oko umetka



Slika 10 – Čeljusti pravokutno postavljene na umetak

4. Provjerite jesu li čeljusti pravilno i pravokutno postavljene na priključak (Slika 10). Držite prste i ruke podalje od čeljusti kako biste izbjegli prignječenja u čeljustima ili između čeljusti i okoline.

**Normalni način rada:** Pritisnite prekidač za pokretanje (Slike 1 & 2). Kada ciklus rada alata započne i valjci dodirnu krakove čeljusti, alat će se zaključati i automatski dovršiti ciklus. Otpuštanjem prekidača neće se zaustaviti alat nakon što se zaključa. To osigurava postojan, ponovljiv integritet spoja preše.

**Kontrolni način rada:** Pritisnite prekidač za pokretanje (Slike 1 & 2). Čeljusti će obuhvatiti priključak, no još nema spoja preše. Prilagodite po potrebi. Ponovno pritisnite prekidač za pokretanje, alat će se blokirati i automatski dovršiti ciklus. Otpuštanjem prekidača neće se zaustaviti alat nakon što se zaključa. To osigurava postojan, ponovljiv integritet spoja preše.

Ako je potrebno ukloniti alat prije dovršavanja spoja preše, pritisnite i gumb za otpuštanje tlaka (Slike 1 & 2).

**NAPOMENA** Svaki put kad se pritisne gumb za otpuštanje, spoj preše se NE dovršava i za izvršenje je potrebno ponovno pritisnuti priključak. Ako se alat pokvari tijekom rada, slijedite ovaj postupak.

5. Otpustite prekidač rada.
6. Stisnite ruke čeljusti kako biste ih otvorili.
7. Uklonite čeljusti s priključka. Izbjegavajte oštre rubove koji su se možda stvorili na umetku tijekom prešanja.
8. Kada je radnja gotova, pritisnite jednom gumb ON/OFF (UKLJUČENO/ISKLJUČENO) kako biste ISKLJUČILI alat. Izvadite bateriju ili adapter za izmjeničnu struju iz alata.

### Prešanje priključka s tipičnim aktuatorom i setom s prstenom za prešanje

1. Otvorite prsten i stavite ga oko priključka. Pravilno poravnajte profil prstena za prešanje s rubovima priključka, kao što je opisano u *uputama za instalaciju proizvođača priključka*. Otpustite prsten kako bi se zatvorio oko priključka (Slika 11).
2. Provjerite je li u alat ispravno ugrađen odgovarajući aktuator. Stisnite krakove aktuatora kako biste otvorili nastavke aktuatora. Poravnajte nastavke aktuatora s džepovima na prstenu. Otpustite krakove aktuatora i do kraja uvucite nastavke aktuatora u džepove na prstenu (Slika 12). Ako ne poravnate nastavak aktuatora s džepom na prstenu, može doći do oštećenja prstena ili aktuatora tijekom prešanja. Ne vješajte alat i aktuator o prsten za prešanje. Alat može slučajno pasti i uzrokovati tešku ozljedu ili smrt.



Slika 11 – Montaža prstena za prešanje na priključak



**Slika 12 – Pričvršćivanje aktuatora na prsten za prešanje**

3. Provjerite je li prsten pravilno i pravokutno postavljen na priključak. Držite prste i ruke podalje od aktuatora i prstena kako biste izbjegli prignječenja u priključku ili između priključka i okoline.

**Normalni način rada:** Pritisnite prekidač za pokretanje (*Slike 1 & 2*). Kada ciklus rada alata započne i valjci dodirnu krakove čeljusti, alat će se zaključati i automatski dovršiti ciklus. Otpuštanjem prekidača neće se zaustaviti alat nakon što se zaključa. To osigurava postojan, ponovljiv integritet spoja preše.

**Kontrolni način rada:** Pritisnite prekidač za pokretanje (*Slike 1 & 2*). Čeljusti će obuhvatiti priključak, no još nema spoja preše. Prilagodite po potrebi. Ponovno pritisnite prekidač za pokretanje, alat će se blokirati i automatski dovršiti ciklus. Otpuštanjem prekidača neće se zaustaviti alat nakon što se zaključa. To osigurava postojan, ponovljiv integritet spoja preše.

4. Ako je potrebno ukloniti alat prije dovršavanja spoja preše, pritisnite i gumb za otpuštanje tlaka (*Slike 1 & 2*).

**NAPOMENA** Svaki put kad se pritisne gumb za otpuštanje, prešanje se NE dovršava i za izvršenje je potrebno ponovno pritisnuti spoj preše. Ako se alat pokvari tijekom rada, slijedite ovaj postupak.

5. Otpustite prekidač rada.
6. Stisnite krakove aktuatora kako biste otvorili aktuator. Uklonite aktuator s priključka.
7. Uklonite prsten s priključka. Izbjegavajte oštre rubove koji su se možda stvorili na umetku tijekom prešanja.
8. Kada je radnja gotova, pritisnite jednom gumb ON/OFF (UKLJUČENO/ISKLJUČENO) kako biste ISKLJUČILI alat. Izvadite bateriju ili adapter za izmjeničnu struju iz alata.

### Pregled prešanog spoja

1. Pregledajte umetak za:
  - Pun ulazak cijevi u priključak.

- Pretjerana naporavnost cijevi. Manja naporavnost na spoju preše se smatra normalnom.
- Netočno poravnavanje dodatka s konturama priključka. Iskrivljen ili izobličen priključak.
- Svi ostali problemi prema proizvođaču priključka. To može uključivati uklanjanje kontrolnog prstena ili naljepnice (koja se koristi kao indikacija da spoj još nije prešan).

Ako su pronađeni bilo kakvi problemi, uklonite priključak i ugradite spoj preše.

2. Ispitajte spoj sukladno uputama proizvođača konektora, uobičajenim praksama i važećim pravilnicima.

### Bluetooth funkcije (Bežični prijenos podataka)

Alati za prešanje RIDGID® RP 350 i RP 351 uključuju Bluetooth® bežičnu tehnologiju koja omogućava bežični prijenos podataka na pravilno opremljene pametne telefone ili tablete ("uređaje") koji rade na iOS ili Android operativnim sustavima.

1. Preuzmite odgovarajuću aplikaciju RIDGID® Link na svoj uređaj posjetivši RIDGID.com/apps, Google Play Store ili Apple App Store.
2. Kada je alat UKLJUČEN uređaj opremljen Bluetooth bežičnom tehnologijom može pronaći i upariti se s alatom. U postavkama za Bluetooth vašeg uređaja odaberite željeni alat RIDGID. Pogledajte upute za svoj uređaj za specifične informacije o tome kako se povezati putem Bluetooth bežične tehnologije. Kad se uspješno spoji, uključit će se svjetla statusa alata zeleno-plavo-plavo-plavo. Nakon početnog uparivanja, većina će se uređaja automatski spojiti na Alate kad je Bluetooth bežična tehnologija aktivna i u dometu, te ako su tako podešene postavke uređaja. Alati za prešanje moraju biti na manje od 33 ft. (10 m) od uređaja kojeg treba detektirati. Sve zapreke između alata i uređaja mogu smanjiti radni raspon.
3. Slijedite upute aplikacije za pravilno korištenje. Način rada se može promijeniti putem aplikacije. Aplikacija dopušta i praćenje ciklusa alata.
4. Bežični prijenos podataka se ISKLJUČUJE kad se ISKLJUČI alat za prešanje. ISKLJUČITE bežični uređaj kako biste smanjili pražnjenje baterije.

### Rad na hladnom vremenu

S padom temperature se hidraulička tekućina zgušnjava, a performanse baterije opadaju. Kako bi se smanjio rizik od nepravilne uporabe, RP 350 i RP 351 neće raditi izvan navedenog raspona temperatura kako je označeno svjetlima statusa alata (*Slika 5*).

Kada su uvjeti okoline izvan specificiranog temperaturnog raspona, držite alat i baterije u prostoru unutar raspona dok nije spreman za korištenje.

## Skladištenje

Izvadite bateriju ili adapter za izmjeničnu struju iz alata za prešanje. Električni alat za prešanje i bateriju skladištite u kutiji. Izbjegavajte skladištenje na ekstremnoj vrućini ili hladnoći. Alat se neće UKLJUČITI ako je izvan navedenog raspona. To će biti označeno svjetlima statusa alata. (Vidi sliku 5)

**⚠ UPOZORENJE** Alat skladištite na suhom, sigurnom i zaključanom području izvan dosega djece i ljudi koji nisu upoznati s radom alata za prešanje. Alat je opasan ako ga koriste neobučene osobe.

## Upute za održavanje

### ⚠ UPOZORENJE

**Pobrinite se da je alat ISKLJUČEN, a baterija ili adapter za izmjeničnu struju uklonjeni iz alata prije obavljanja održavanja ili bilo kakvih prilagodbi.**

### Čišćenje i podmazivanje

1. Obrišite vanjštinu alata svaki dan s čistom suhom krpom.
2. Pregledajte trn za montažu nastavka i prema potrebi podmažite trn silikonskim mazivo.
3. Sa svakom upotrebom provjerite povratne opruge u dodacima. Dodaci bi se morali slobodno otvarati i zatvarati, uz umjeren pritisak prstom.

## Servisiranje i popravak

### ⚠ UPOZORENJE

**Pogrešnim servisiranjem i popravcima alat može postati nesiguran za rad.**

Servis i popravci na alatima za prešanje RP 350 i RP 351 moraju se izvršavati u servisnom centru za alate koji je odobrio RIDGID neovisni servisni centar za alate za prešanje.

Za informacije o najbližem RIDGID ovlaštenom neovisnom servisu ili za bilo kakvo pitanje o servisu ili popravku pogledajte odjeljak *Informacije za kontakt* u ovom priručniku.

## Otklanjanje grešaka

SIMPTOM	MOGUĆI RAZLOZI	RJEŠENJE
<b>Alat se ne UKLJUČUJE kad se pritisne gumb ON/OFF (UKLJUČENO/ ISKLJUČENO).</b>	Baterija je u potpunosti prazna ili ne radi ispravno.	Umetnite potpuno napunjenu bateriju/po- novno napunite bateriju.
	Baterija nije ispravno umetnuta u ručku alata	Provjerite kako biste utvrdili da je baterija umetnuta do kraja.
	Adapter za izmjeničnu struju nije ispravno umetnut u alat.	Ispravno umetnite adapter za izmjeničnu struju u alat.
<b>Nastavak je zaključan na umetak.</b>	Spoj prešanja nije do uspješno dovršen.	Pritisnite gumb za otpuštanje tlaka kako biste skinuli čeljusti s priključka. Pregledajte i ponovno prešajte priključak.
<b>Pritisnuti spojevi nisu dovršeni.</b>	Korištene krive čeljusti za veličinu ili materijal cijevi.	Ugradite ispravan nastavak.
	Alat nije pravilno postavljen na cijev.	Ponovite spoj prešanja s novim priključkom i novom cijevi. Provjerite da je alat pravilno postavljen na cijev.
	Obris prešanja nastavka nije u ravnini s obrisom umetka.	Ponovite spoj s novom cijevi i novim priključkom. Pobrinite se da je obris prešanja dodatka u ravnini s obrisom priključka.
<b>Ulje curi iz alata.</b>	Alat treba popraviti.	Ondesite na servis.
	Problemi s brtvom ili mehanički problem.	
<b>Motor radi ali alat ne završava ciklus.</b>	Razina ulja niska.	Ondesite na servis.
<b>Alat se zaustavlja tijekom rada.</b>	Razina ulja niska.	

*Pogledajte Sliku 5 - Svjetla statusa alata*

## Neobavezna oprema

### ⚠ UPOZORENJE

Kako biste smanjili opasnost od teške ozljede, upotrebljavajte samo opremu posebno projektiranu i preporučenu za uporabu s alatima za prešanje RP 350 i RP 351, kao što je navedeno u nastavku.

### Ulošci s baterijom ili adapterom

Kataloški br.	Opis
56513	Baterija litij-ion RB-1825 18V 2,5 Ah
56518	RBaterija litij-ion B-1850 18V 5,0 Ah
44468	Mrežni adapter 120 AC – Sjeverna Amerika
43338	Mrežni adapter 220 AC – Europa
44823	Mrežni adapter 120 AC – Kina

## Punjači i kabeli

Kataloški br.		Regija	Vrsta utikača
64383	Punjač RBC-30	Sjeverna Amerika	A
56523	Punjač RBC-30	Europa	C
64388	Punjač RBC-30	Kina	A
64393	Punjač RBC-30	Australija	I
64378	Punjač RBC-30	Japan	A
64398	Punjač RBC-30	Ujedinjeno Kraljevstvo	G
64173	Kabel punjača RBC-30	Sjeverna Amerika	A
64183	Kabel punjača RBC-30	Europa	C



Za potpuni popis dostupne RIDGID opreme za ove alate pogledajte Ridge katalog alata na RIDGID.com ili pogledajte *Informacije za kontakt*.

## Zbrinjavanje

Dijelovi ovih alata sadržavaju vrijedne materijale i možete ih reciklirati. Pronađite lokalne tvrtke koje se bave recikliranjem. Zbrinite dijelove u skladu sa svim primjenjivim zakonskim uredbama. Kontaktirajte s lokalnom institucijom za upravljanje otpadom za više informacija.



**Za države iz EZ:** Ne odlažite električnu opremu zajedno s kućnim otpadom!

U skladu s Europskom smjernicom 2012/-19/EU o električnoj i elektroničkoj opremi koja predstavlja otpad i njezinom primjenom u nacionalnom zakonodavstvu, električnu opremu koju više ne možete upotrijebiti morate odvojeno skupljati i odlagati na odgovarajući, ekološki prihvatljiv način.

## Elektromagnetska sukladnost (EMC)

Pojam "elektromagnetska sukladnost" označava sposobnost proizvoda da besprijekorno funkcionira u okolišu gdje su prisutna elektromagnetska zračenja i elektrostatska pražnjenja, a ne stvaraju elektromagnetske smetnje u drugoj opremi.

**NAPOMENA** Ovi su alati sukladni svim primjenjivim EMC standardima. Međutim, mogućnost da uzrokuju smetnje u drugim uređajima ne može se isključiti. Svi testirani EMC standardi navedeni su u tehničkoj dokumentaciji alata.

## Izjava FCC/ICES

Ovaj je uređaj sukladan zahtjevima Dijela 15 Propisa FCC. Rad ovisi o sljedeća dva uvjeta:

1. Uređaj ne smije izazivati štetne smetnje.
2. Uređaj mora prihvatiti svaku smetnju, uključujući onu koja može uzrokovati neželjeni rad.

Modifikacije koje nisu izričito odobrene od strane ove tvrtke mogu biti razlog da korisnik ne upravlja ovom opremom.

Ova je oprema testirana, te je utvrđeno da odgovara granicama za Klasu A digitalnih uređaja, sukladno dijelu 15 Pravila FCC. Ova su ograničenja osmišljena tako da osiguraju dostatnu zaštitu od štetnih smetnji u slučaju kad se oprema koristi u komercijalnom okruženju. Ova oprema stvara, koristi i može emitirati energiju radijske frekvencije te, ako nije ugrađena i korištena u skladu s priručnikom sa uputama, može izazvati štetne smetnje u radijskim komunikacijama. Rad ove opreme u stambenom području lako može uzrokovati štetne smetnje, kad će korisnik morati otkloniti smetnje o svom trošku.

Ovaj proizvod zadovoljava specifikacije klase A, Kanadskog ICES-003. *Pogledajte deklaracijsku naljepnicu na alatu.*

# RP 350/RP 351

## Orodja za stiskanje



### **⚠ OPOZORILO!**

Pred uporabo orodja pozorno preberite ta priročnik za uporabnika. Nerazumevanje in neupoštevjanje vsebine tega priročnika lahko povzroči električni udar, požar in/ali hude telesne poškodbe.

#### Stiskalna orodja RP 350/RP 351

Serijsko številko zapišite spodaj in shranite serijsko številko izdelka, ki jo najdete na oznaki z imenom.

Serijska št.

--	--

## Kazalo vsebine

<b>Obrazec za vpis serijske številke naprave</b> .....	289
<b>Varnostni simboli/Simboli</b> .....	291
<b>Splošna varnostna opozorila za električno orodje</b> .....	291
Varnost delovnega območja.....	291
Električna varnost.....	291
Osebna varnost .....	292
Uporaba in nega električnega orodja .....	292
Uporaba in nega baterijskega orodja .....	292
Servisiranje .....	293
<b>Posebne varnostne informacije</b> .....	293
Varnost stiskalnega orodja.....	293
<b>Kontaktne podatki RIDGID®</b> .....	293
<b>Opis</b> .....	294
<b>Tehnični podatki</b> .....	297
Standardna oprema .....	297
<b>Pregled pred uporabo</b> .....	297
<b>Priprava in uporaba</b> .....	298
Odstranjevanje/namesčanje nastavka.....	298
Priprava povezave .....	298
Stiskanje nastavka s tipičnimi škarjastimi čeljustmi .....	299
Stiskanje nastavka s tipičnim sprožilom in kompletom obročev za stiskanje.....	300
Pregled stisnjene povezave .....	301
Funkcije Bluetooth (brežični prenos podatkov).....	301
Delovanje v hladnem vremenu .....	301
<b>Skladiščenje</b> .....	301
<b>Navodila za vzdrževanje</b> .....	301
Čiščenje in mazanje.....	301
<b>Servisiranje in popravilo</b> .....	301
<b>Odpravljanje napak</b> .....	302
<b>Dodatna oprema</b> .....	302
<b>Odstranjevanje</b> .....	303
<b>Elektromagnetna združljivost (EMC)</b> .....	304
<b>Izjava FCC/ICES</b> .....	304
<b>Izjava o skladnosti ES</b> .....	Za zadnjim pokrovom
<b>Dosmrtna garancija</b> .....	Zadnja platnica

\*Prevod izvirnih navodil

## Varnostni simboli/Simboli

V tem uporabniškem priročniku in na izdelku se uporabljajo varnostni simboli ter signalne besede za posredovanje pomembnih varnostnih informacij. V tem poglavju boste spoznali pomen teh signalnih besed in simbolov.



To je simbol za varnostno opozorilo. Uporablja se za opozarjanje na tveganje telesnih poškodb. Upoštevajte vsa varnostna sporočila, ki sledijo temu znaku, da se izognete morebitnim telesnim poškodbam ali smrti.



**NEVARNOST** NEVARNOST pomeni nevarno situacijo, ki bo povzročila smrt ali hudo telesno poškodbo, če se ji ne izognete.



**OPOZORILO** OPOZORILO pomeni nevarno situacijo, ki bi lahko povzročila smrt ali hudo telesno poškodbo, če se ji ne izognete.



**POZOR** POZOR pomeni nevarno situacijo, ki bi lahko povzročila manjše ali srednje telesne poškodbe, če se ji ne izognete.



**OPOMBA** OPOMBA pomeni informacijo, ki se nanaša na zaščito lastnine.



Ta simbol vas opozarja, da pred začetkom uporabe opreme skrbno preberite uporabniški priročnik. Priročnik za uporabnika vsebuje pomembne informacije o varni in pravilni uporabi naprave.



Ta simbol pomeni, da je treba pri uporabi ali delu s to opremo vedno uporabljati varnostna očala s stranskimi ščitniki ali naočnike, da zmanjšate nevarnost poškodbe oči.



Ta simbol označuje tveganje zmečkanin na dlaneh, prstih ali drugih delih telesa.



Ta simbol pomeni nevarnost električnega udara.



Ta simbol pomeni, da je izdelek le za notranjo uporabo.



Ta simbol označuje, da je proizvod oprema razreda II.



Ta simbol označuje, da gre za električno opremo, ki se ne sme odlagati skupaj z gospodinjskimi odpadki. Glejte razdelek "Odstranjevanje".



Ta simbol označuje, da električna oprema izpolnjuje zahteve veljavnih direktiv ES.



Ta simbol označuje leto izdelave izdelka.

## Splošna varnostna opozorila za električno orodje\*

### ⚠ OPOZORILO

**Preberite vsa varnostna opozorila, navodila, ilustracije in specifikacije, ki so priložene električnemu orodju. Neupoštevanje vseh spodaj navedenih navodil lahko povzroči električni udar, požar in/ali hude telesne poškodbe.**

### VSA OPOZORILA IN NAVODILA SHRANITE ZA NADALJNJO UPORABO!

Izraz "električno orodje" v opozorilih se nanaša na vaše električno orodje (povezano z električnim kablom), ki je napajano iz električnega omrežja, ali na električno orodje z baterijo (brez kabla).

### Varnost delovnega območja

- **Delovni prostor naj bo čist in dobro osvetljen.** Neurejeni ali slabo osvetljeni delovni prostori povečujejo verjetnost nesreče.
- **Električnih orodij ne uporabljajte v eksplozivnih atmosferah, npr. v prisotnosti vnetljivih teko in, plinov ali prahu.** Električna orodja ustvarjajo iskre, zaradi katerih se lahko vnamejo prah ali hlapi.

- **Med uporabo električnega orodja naj se otroci in druge osebe ne približujejo.** Zaradi motenj ob delu lahko izgubite nadzor nad orodjem.

### Električna varnost

- **Vtiči električnega orodja morajo ustrezati vtičnici. Vtiča nikoli na noben na in ne spreminjajte. Vtičev prilagojevalnika ne uporabljajte z ozemljenimi električnimi orodji.** Nespremenjeni vtiči in ustrezne vtičnice zmanjšajo nevarnost električnega udara.
- **Preprečite telesni kontakt z ozemljenimi površinami, kot so na primer cevi od radiatorja, hladilnika.** Če je vaše telo ozemljeno, za vas obstaja večja nevarnost električnega udara.
- **Električnega orodja ne izpostavljajte dežju in vlažnim pogojem.** Voda, ki prodre v električno orodje, poveča tveganje električnega udara.
- **S kablom ne ravnajte nasilno. Kabla nikoli ne uporabljajte za prenašanje ali vlečenje oz. za izklop električnega orodja. Kabla ne izpostavljajte vročini, olju, ostrim robovom ali premikajočim se delom.** Poškodovani ali zapleteni kabli povečajo tveganje električnega udara.

\* Besedilo, ki je navedeno v razdelku Splošna varnostna pravila za električno orodje, je dobesedno prepisano iz ustrezne izdaje standarda UL/CSA 62841-1. Ta razdelek vsebuje splošne varnostne ukrepe za različne vrste električnih orodij. Vsi previdnostni ukrepi se ne nanašajo na vsa orodja, nekateri pa ne veljajo za to orodje.



- **Med uporabo električnega orodja na prostem uporabljajte samo podaljške, ki so primerni za uporabo na prostem.** Uporaba kabla, primerne za uporabo na prostem, zmanjšuje tveganje električnega udara.
- **Če se ne morete izogniti uporabi električnega orodja na vlažnem mestu, uporabite stikalo za zemljostično zaščito (GFCI).** Uporaba zemljostične zaščite (GFCI) zmanjšuje tveganje električnega udara.

## Osebna varnost

- **Med uporabo električnega orodja bodite pazljivi, pozorni in delajte z glavo.** Električnega orodja ne uporabljajte, če ste utrujeni ali ste pod vplivom drog, alkohola ali zdravil. Trenutek nepozornosti med uporabo električnega orodja lahko povzroči hude telesne poškodbe.
- **Uporabljajte osebno zaščitno opremo. Vedno nosite zaščitna očala.** Zaščitna oprema, kot so zaščitna maska za prah, zaščitni čevlji z nehrsečim podplatom, zaščitna čelada ali zaščita sluha, ki jo uporabljate skladno z razmerami, zmanjša tveganje telesnih poškodb.
- **Izogibajte se nenamernemu vklopu orodja. Prepričajte se, da je stikalo izklopljeno, preden orodje priključite na vir napajanja in/ali akumulator, ga poberete ali prenašate.** Do nesreče lahko pride, če imate med prenašanjem orodja prste na stikalu ali če priključite napajanje orodij z vključenim stikalom.
- **Pred VKLOPOM električnega orodja odstranite vse nastavitvene ključe ali izvijač.** Izvijač ali ključ, ki ga pustite pritrjenega na vrtljiv del električnega orodja, lahko povzroči telesne poškodbe.
- **Ne stegujte se. Vedno skrbite, da stojite stabilno in imate dobro ravnotežje.** Tako boste imeli v nepredvidljivih situacijah boljši nadzor nad električnim orodjem.
- **Bodite primerno oblečeni. Ne nosite ohlapnih oblačil in nakita. Las, obleke in rokavic ne približujte premikajočim se delom.** Ohlapna oblačila, nakit ali dolgi lasje se lahko ujamejo v premikajoče se dele.
- **Če lahko namestite sesalnike in zbiralnike za prah, se prepričajte, da so ti priključeni in pravilno uporabljani.** Uporaba zbiralnikov za prah lahko zmanjša tveganja zaradi prahu.
- **Ne dovolite, da bi seznanjenost zaradi pogoste uporabe orodij povzročila, da postanete samozadovoljni in prezrete varnostna načela orodja.** Nepredvidno dejanje lahko povzroči hude telesne poškodbe v delčku sekunde.

## Uporaba in nega električnega orodja

- **Z električnim orodjem ne ravnajte s silo. Uporabljajte električno orodje, ki je primerno za vaše delo.** Pravilno izbrano električno orodje bo delo opravilo hitreje in varneje s hitrostjo, za katero je zasnovano.
- **Če s stikalom ne morete VKLOPITI in IZKLOPITI električnega orodja, orodja ne uporabljajte.** Vsako električno orodje, ki ga ne morete krmiliti s stikalom, je nevarno in ga je treba popraviti.
- **Izvlomite vtič iz vtičnice in/ali odstranite komplet baterij iz električnega orodja, preden karkoli prilagodite, zamenjate pripomočke ali električno orodje shranite.** S tovrstnimi preventivnimi varnostnimi ukrepi boste zmanjšali tveganje nenamernega vklopa električnega orodja.
- **Električno orodje, ki ga ne uporabljate, hranite izven dosega otrok in ne dovolite, da bi orodje uporabljale osebe, ki električnega orodja ne poznajo ali ki niso prebrale teh navodil.** Električna orodja so nevarna, če jih uporabljajo neizkušene osebe.
- **Električno orodje redno vzdržujte. Preverite, ali so gibljivi deli orodja pravilno nameščeni in se ne zatikajo. Preverite tudi, ali je kateri izmed delov pokvarjen, in bodite pozorni na vsa druga stanja električnega orodja, ki lahko vplivajo na njegovo delovanje. Če je električno orodje poškodovano, ga pred uporabo obvezno popravite.** Številne nesreče so posledica slabo vzdrževanih električnih orodij.
- **Rezalna orodja naj bodo ostra in čista.** Pravilno vzdrževana rezalna orodja z ostrimi rezili se manjkrat zataknejo in jih je lažje upravljati.
- **Električno orodje, dodatno opremo, nastavke itd. uporabljajte skladno s temi navodili, pri tem pa upoštevajte delovne pogoje in delo, ki ga morate opraviti.** Uporaba električnega orodja v namene, druga ne od tistih, za katere je orodje predvideno, lahko povzroči nevarne situacije.
- **Ročaje in prijemne površine vzdržujte suhe, čiste in razmaščene.** Spolzki ročaji in prijemne površine ne omogočajo varnega ravnanja in nadzora orodja v nepričakovanih situacijah.

## Uporaba in nega baterijskega orodja

- **Polnite le z napajalnikom, ki ga določi proizvajalec.** Napajalnik, primeren za eno vrsto akumulatorja, predstavlja nevarnost požara, če ga uporabljate z drugim akumulatorjem.

- **Električno orodje uporabljajte le s predvidenimi akumulatorji.** Uporaba drugih baterij lahko predstavlja nevarnost poškodbe in požara.
- **Ko baterije ne uporabljate, je ne približujte drugim kovinskim predmetom, kot so sponke, kovanci, ključiči, žebliji, vijaki ali drugi majhni kovinski predmeti, ki lahko vzpostavijo povezavo med enim in drugim terminalom baterije.** Če kratko sklenete pola baterije, lahko pride do opeklin ali požara.
- **Pri preobremenitvi lahko iz akumulatorja brizgne tekočina, ki se je ne smete dotikati. Če se jih nehote dotaknete, sperite z vodo. Če pride tekočina v oči, poiščite zdravniško pomoč.** Tekočina, ki brizgne iz baterije, lahko povzroči draženje ali opekline.
- **Ne uporabljajte kompleta baterij ali orodja, ki je poškodovano ali spremenjen.** Poškodovane ali spremenjene baterije lahko kažejo nepredvidljivo obnašanje, ki lahko vodi v požar, eksplozijo ali nevarnost telesnih poškodb.
- **Baterij ali orodja ne izpostavljajte ognju ali skrajni temperaturi.** Izpostavljenost ognju ali temperaturi nad 265 °F (130 °C) lahko povzroči eksplozijo.
- **Upoštevajte vsa navodila za polnjenje in ne polnite ali hranite kompleta baterij ali orodje izven obsega temperature, določenega v navodilih.** Nepravilno polnjenje ali pri temperaturah izven določenega obsega lahko poškoduje baterijo in poveča tveganje za požar.

## Servisiranje

- **Vaše električno orodje naj popravlja samo usposobljen strokovnjak in pri tem uporablja samo originalne nadomestne dele.** Tako bo vaše električno orodje ostalo varno za uporabo.

## Posebne varnostne informacije

### ⚠ OPOZORILO

**To poglavje vsebuje pomembna varnostna navodila, značilna za to orodje.**

**Pred uporabo stiskalnega orodja pazljivo preberite ta navodila za uporabo, da zmanjšate tveganje za električni udar ali druge resne telesne poškodbe.**

### VSA OPOZORILA IN NAVODILA SHRANITE ZA NADALJNJO UPORABO!

V nosilni torbi za orodje je predal, ki je namenjen hranjenju teh navodil za uporabo z orodjem, da jih upravljavec lahko uporabi.

## Varnost stiskalnega orodja

- **Med ciklom stiskanja držite prste in dlani stran od priključkov za stiskanje.** Prste ali dlani bi vam lahko zmečkalo, zlomilo ali amputiralo, če bi se ujele med priključek ali med te komponente in kateri drugi predmet.
  - **Nikoli ne poskušajte popravljati poškodovanih priključkov za stiskanje (čeljusti, obroča za stiskanje, sprožila itd.). Zavržite celoten poškodovan priključek.** Priključek, ki je na kakršen koli način varjen, ozemljen, izvrtan ali spremenjen, se lahko med stiskanjem razbije in povzroči resno telesno poškodbo. Če ne zamenjate celotnega priključka za stiskanje, lahko pride do okvare komponente in resne telesne poškodbe.
  - **Med uporabo izdelka se pojavljajo močne sile, ki lahko zlomijo in vržejo predmete ter povzročijo poškodbe.** Med uporabo bodite varno oddaljeni in nosite primerno varnostno opremo, vključno z zaščito za oči.
  - **Orodja za stiskanje RIDGID® uporabljajte samo z ustreznimi ali odobrenimi priključki za stiskanje RIDGID (čeljusti, obroči za stiskanje, sprožila itd.).** Druga uporaba ali spreminjanje stiskalnih orodij za druge aplikacije lahko poškoduje stiskalno orodje, priključke in/ali povzroči telesno poškodbo.
  - **Uporabljajte ustrezne kombinacije orodja, priključka in nastavka.** Neustrezne kombinacije lahko povzročijo nepopoln spoj, kar poveča tveganje puščanja, poškodbe opreme in telesne poškodbe.
  - **Pred uporabo stiskalnega orodja RIDGID® preberite in razumite:**
    - Ta uporabniški priročnik
    - Navodila priključka
    - Priročnik za baterije/polnilnik
    - Navodila za namestitev proizvajalca nastavka
    - Navodila za drugo opremo ali material, uporabljen s tem orodjem
- Neupoštevanje vseh opozoril in navodil lahko povzroči materialno škodo in/ali hude telesne poškodbe.

## Kontaktne podatki RIDGID®

Če imate vprašanja v zvezi s tem izdelkom RIDGID®:

- Obrnite se na svojega krajevnega distributerja RIDGID.
- Obiščite RIDGID.com, da najdete svojo krajevno kontaktno točko RIDGID.
- Obrnite se na oddelek za tehnične storitve za Ridge Tool na naslovu [rtctechservices@emerson.com](mailto:rtctechservices@emerson.com), v ZDA in Kanadi pa lahko pokličete tudi (800) 519-3456.

## Opis

Stiskalna orodja RIDGID® RP 350 in RP 351, ko se uporabljajo z ustreznimi priključki, so namenjena za mehansko stiskanje nastavkov na cevi za ustvarjanje vodotesnega in trajnega tesnjenja, kot je v vodovodnih, ogrevalnih, klimatskih in hladilnih aplikacijah. Priključki so na voljo tudi za druge uporabe.

Ko pritisnete stikalo za zagon na stiskalnem orodju, notranji električni motor poganja hidravlično črpalko, ki pošilja tekočino v valj orodja, premika ventil naprej in z dodajanjem sile na priključek pritiska na nastavek. Cikel stiskanja traja približno 4 sekunde. Ko cikel prične deformirati nastavek, se bo samodejno nadaljeval do zaključka, tudi če je stikalo za zagon sproščeno.

Orodje vključuje drugi način delovanja ("Nadzorni način"), ki ga lahko vklopite z aplikacijo RIDGID Link. Nadzorni način omogoča vstavitve nastavka pred stiskanjem, kar omogoča potrditev pravilne poravnave priključka, nastavka in cevi.

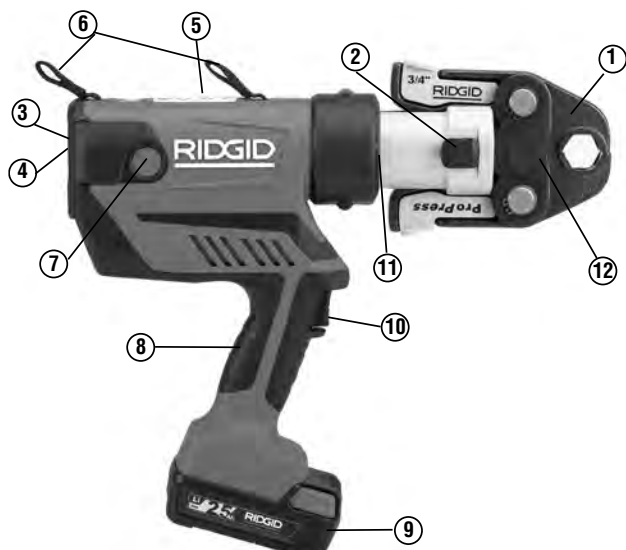
Lučke stanja orodja označujejo stvari, kot so stanje orodja, stanje baterije, potrebno vzdrževanje ali neustrezna temperatura. Delovna lučka se VKLOPI ob pritisku stikala za zagon, da se osvetli delovno območje. Glavo je mogoče vrteti 360° za boljši dostop v tesnih mestih.

Orodjem so priložena tekstilne zanke, ki jih s primernimi priključki lahko uporabite kot ramenske trakove ali vrvice.



**Slika 2 – Stiskalno orodje RIDGID RP 351 in čeljusti serije Standard**

#	Opis
1	Komplet škarjastih čeljusti
2	Montažni zatič priključka
3	Lučke stanja orodja
4	Gumb za ON/OFF (VKLOP/IZKLOP)
5	Opozorilna nalepka (Spodnja stran RP 351)
6	Tekstilna zanka
7	Gumb za sprostitvev tlaka (RP 351 oddaljena stran)
8	Ročaj
9	Baterija
10	Stikalo za zagon
11	Delovna lučka LED
12	Stranska plošča čeljusti



**Slika 1 – Stiskalno orodje RIDGID RP 350 in čeljusti serije Standard**

Stiskalna orodja vsebujejo brezžično tehnologijo Bluetooth®, ki omogoča povezavo s pametnimi telefoni in tablicami. Za podrobnosti glejte razdelek "Funkcije Bluetooth (brezžični prenos podatkov)".

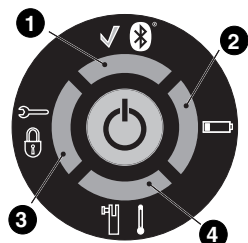
\* Besedna znamka in logotipi Bluetooth® so registrirane blagovne znamke družbe Bluetooth SIG, inc in vsaka uporaba teh znamk družbe Emerson Electric Co. je pod licenco. Druge blagovne znamke in blagovna imena so last njihovih zadevnih lastnikov.



Slika 3 – Serijska številka stroja – Obkrožene številke označujejo leto in mesec izdelave. (YY = leto, MM = mesec).

Krmiljenje	Oznake	Opis
Gumb za Vkllop/ Izklop		Stikalo za vklop glavnega orodja. (I = VKLOP, O = IZKLOP). VKLOP: Pritiskajte gumb, dokler se lučka ne VKLOPI. <i>Glejte sliko 5 – Lučke stanja orodja.</i> IZKLOP: Pritiskajte gumb, dokler se lučka ne IZKLOPI. Orodje se bo samodejno IZKLUČILO, če ga deset (10) minut ne uporabljate.
Stikalo za zagon	—	<b>Vklop delovne luči:</b> Rahlo pritisnite stikalo za zagon. <b>Običajni način:</b> Pritisnite stikalo za zagon, da zaženete cikel stiskanja, spustite, ko se orodje zaklene. Običajni način je tovarniško nastavljen. <b>Nadzorni način:</b> Pritisnite stikalo za zagon, da vstavite priključek na obdelovancu. Po potrebi prilagodite. Ponovno pritisnite stikalo za zagon, da zaženete cikel stiskanja, spustite, ko se orodje zaklene. Sproščanje stikala orodja, ko je zaklenjeno, ne bo ustavilo. To zagotavlja dosledno, ponovljivo integriteto stiskalne povezave. Način je mogoče spremeniti z aplikacijo RIDGID Link, <i>glejte razdelek Funkcije Bluetooth.</i>
Gumb za sprostitvev tlaka		Omogoča sprostitvev orodja brez dokončanja stiskanja. Če se uporablja stiskalna povezava, ni končana in jo je treba ponoviti.
Montažni zatič priključka	—	Pridrži priključek na orodje. Za delovanje orodja mora biti popolnoma vstavljena. <i>Glejte sliko 6.</i>

Slika 4 – Preglednica krmiljenja





Številka segmenta luči (Luč neprekinjeno vklopljena)				Opis
1 ✓ Bluetooth	2 [Battery]	3 [Lock/Key]	4 [Plug/Bar]	
—	—	—	—	Izklop stiskalnega orodja (IZKLOP).
Zelena	Zelena	Zelena	Zelena	Pritisnite gumb za VKLOP, pri zagonu luči posvetijo za 4 sekunde, orodje je v "Običajnem načinu".
Modra	Modra	Modra	Modra	Gumb za VKLOP pritisnjen, pri zagonu luči posvetijo za 4 sekunde, orodje je v "Nadzornem načinu" - glejte razdelek <i>Funkcije Bluetooth</i> za spremembo načina.
Zelena	—	—	—	Stiskalno orodje je v običajnem načinu, stanju pripravljenosti, stiskalno orodje nared za uporabo.
Rdeča	Rumena	Rumena	Rumena	Okvara orodja. Orodje ne bo delovalo. Odstranite in ponovno vstavite baterijo ali adapter z izmeničnim tokom. Če lučka še vedno sveti, odnesite orodje na servis.
Rdeča	—	—	—	Okvara orodja. Orodje ne bo delovalo. Odstranite in ponovno vstavite baterijo ali adapter z izmeničnim tokom. Če rdeča lučka še vedno sveti, odnesite orodje na servis.
Rumena	—	Rdeča	Rdeča	Orodje in/ali baterija je izven temperaturnega območja specifikacije. Orodje ne bo delovalo. Dosežite pravi obratovalni razpon temperature orodja in baterije.
Rumena	—	—	Rdeča	Montažni zatič priključka ni popolnoma vstavljen. Orodje ne bo delovalo. Vstavite zatič do konca. Če lučke še vedno svetijo, odnesite orodje na servis.
Rumena	Rdeča	—	—	Baterija prazna. Orodje ne bo delovalo. Napolnite baterijo/ Vstavite popolnoma napolnjeno baterijo.
Zelena	Modra	Modra	Modra	Vzpostavljena povezava Bluetooth, stanje pripravljenosti, stiskalno orodje nared za uporabo - Za dodatne informacije glejte razdelek <i>Funkcije Bluetooth</i> .
		Vijolična		Posodobitev vgradne programske opreme je v obdelavi, orodja med posodabljanjem ni mogoče uporabljati.

**Slika 5 – Lučke stanja orodja**



## Tehnični podatki

	Stiskalno orodje za pištolo RP 350	Vgrajeno stiskalno orodje RP 351
Priključki.....	RIDGID serije Standard	RIDGID serije Standard
Dolžina hoda .....	1.57" (40 mm)	1.57" (40 mm)
Motor		
Nazivna napetost.....	18 V DC	18 V DC
Jakost toka.....	23 A	23 A
Moč .....	480 vatov	480 vatov
Sila ventila .....	7,200 lbs. (32 kN)	7,200 lbs. (32 kN)
Vrtenje glave.....	360°	360°
Delovni cikel.....	3 Pritisnite  /min	3 Pritisnite  /min
Napajanje .....	Komplet lionskih baterij RIDGID RB-18XX serije 18 V ali napajalni adapter z izmeničnim tokom RIDGID RPA 120/220 (glejte razdelek Izbirna oprema)	
Bluetooth razpon .....	33 ft. (10 m)	33 ft. (10 m)
Dovoljena vlaga .....	največ 80 %	največ 80 %
Razpon obratovne temperature.....	od 15 °F do 122 °F (od -10 °C do 50 °C)	od 15 °F do 122 °F (od -10 °C do 50 °C)
Temperatura shranjevanja .....	od 32 °F do 113 °F (od 0 °C do 45 °C)	od 32 °F do 113 °F (od 0 °C do 45 °C)
Teža (brez baterije/priključka).....	7.83 lbs (3,55 kg)	7.83 lbs (3,55 kg)
Mere .....	11.3" x 11.0" x 3.1" 287 mm x 279 mm x 77 mm	15.7" x 4.65" x 3.1" 398 mm x 118 mm x 77 mm
Zvočni tlak (L <sub>PA</sub> )* .....	<74,5 dB(A), K=3 dB(A)	<74,5 dB(A), K=3 dB(A)
Treslaji* .....	<1,13 m/s <sup>2</sup> , K=1.5	<1,13 m/s <sup>2</sup> , K=1.5

\* Meritve zvoka in treslajev se izvajajo v skladu s standardiziranim testom s standardom EN 62481-1.

- Ravnih vibracij se lahko uporabijo za primerjavo z drugimi orodji in preliminarno ocenjevanje izpostavljenosti.

- Emisije hrupa in vibracij se lahko razlikujejo, odvisno od vaše lokacije in načina uporabe orodja.

- Dnevne ravni izpostavljenosti hrupu in vibracijam je treba oceniti za vsako uporabo in je treba upoštevati ustrezne previdnostne ukrepe. Ob ocenjevanju ravnih vibracij je treba upoštevati čas, med katerim je orodje izklopljeno in se ne uporablja. To lahko znatno pomanjša raven izpostavljenosti v skupnem času uporabe orodja.

## Standardna oprema

Glejte katalog RIDGID za podrobnosti o opremi, ki je dostavljena s specifičnimi kataloškiimi številkami naprave.

OPOMBA! Priključki stiskalnega orodja RIDGID so ponujeni v dveh "serijah"

- Serija Standard
- Serija Compact

Te serije priključkov niso zamenljive. Priključki serije Standard bodo delovali samo s standardnimi serijskimi orodji (RP 350, RP 351, RP 342-XL, RP 340, RP 330, 320-E, CT-400). Priključki serije Compact bodo delovali samo s kompaktnimi serijskimi orodji (RP 240, RP 241, RP 200, RP 210, 100B).

**OPOMBA** Za izbiro primernih materialov in spajanja je odgovoren projektant in/ali inštalater sistema. Pred poskusom namestitve je treba zaključiti natančno oceno posebnega delovnega okolja, vključno s kemičnim okoljem in delovno temperaturo. Za informacije o izbiri se posvetujte s proizvajalcem sistema za stiskalni nastavek.

## Pregled pred uporabo

### ⚠ OPOZORILO



**Dnevno pred vsako uporabo stiskalno orodje pregledajte in odpravite težave za zmanjšanje tveganja resnih poškodb zaradi električnega udara, zmečkanja, odpovedi priključkov in drugih vzrokov, in preprečite poškodbe orodja.**

1. IZKLOPITE orodje in iz njega odstranite baterijo/adapter z izmeničnim tokom.
2. Z opreme očistite olje, maščobo ali umazanijo, še posebej z ročajev in krmilnih elementov. To pomaga pri pregledovanju in preprečuje drsenje orodja ali krmilnih elementov, ko jih držite.
3. Pregledajte stiskalno orodje za:
  - Pravilno sestavljanje, vzdrževanje in celovitost.
  - Obstajajo zlomljeni, obrabljeni, manjkajoči, neizravnani ali zatikajoči se deli. Potrdite, da so tekstilne zanke v dobrem stanju.

- Enakomerno premikanje pritrdilnega zatiča priključka med popolnoma odprtim in popolnoma zaprtim položajem. Zatič se mora zaskočiti v vsakem položaju. Potrdite, da se stikalo za zagon prosto giblje in ne poveže ali zatakne.
- Prisotnost in berljivost opozorilne nalepke (glejte sliko 6).
- Preverite vsa druga stanja, ki bi lahko preprečila varno in običajno delovanje.

Stiskalnega orodja ne uporabljajte, dokler se težav ne odpravi.



Slika 6 – Lučke stanja/Opozorilna nalepka

4. Preglejte in vzdržujte priključke orodja v skladu z njihovimi navodili. Odstranite priključek iz orodja. Potrdite, da so priključki v dobrem stanju in jasno označeni za uporabo.
5. Vso drugo uporabljeno opremo preglejte in vzdržujte skladno z navodili, da zagotovite pravilno delovanje.

## Priprava in uporaba

### ⚠ OPOZORILO



Med ciklom stiskanja držite prste in dlani stran od priključka orodja. Prste ali dlani

bi vam lahko zmečkalo, zlomilo ali amputiralo, če bi se ujele v priključek, orodje, med orodje in priključek, obdelovance in druge predmete.

Med uporabo izdelka se pojavljajo močne sile, ki lahko zlomijo in vržejo predmete ter povzročijo poškodbe. Med uporabo bodite varno oddaljeni in nosite primerno varnostno opremo, vključno z zaščito za oči.

Uporabite pravilno orodje, priključek in kombinacije nastavkov. Nepravilne kombinacije lahko povzročijo nepopolno stiskalno povezavo, kar lahko poveča tveganje za uhajanje, poškodbe opreme in telesne poškodbe.

## Upoštevajte navodila za namestitev in obratovanje, da zmanjšate tveganje poškodb zaradi drobljenja in drugih vzrokov, in preprečite poškodbe orodja.

1. Potrdite ustrezno delovno območje (glejte razdelek Splošna varnostna opozorila za električno orodje). Uporabljajte na čistem, ravnem, stabilnem in suhem mestu. Orodja ne uporabljajte, če stojite v vodi.
2. Preglejte delo, ki ga je treba opraviti, in določite pravilno orodje RIDGID in priključek RIDGID za aplikacijo v skladu z njunimi specifikacijami. Uporaba nepravilne opreme lahko povzroči poškodbe, poškoduje orodje in povzroči nepopolne povezave.
3. Potrdite, da je vsa oprema pregledana in pripravljena kot je navedeno v navodilih.

## Odstranjevanje/nameščanje nastavka

1. IZKLOPITE orodje in iz njega odstranite baterijo/adapter z izmeničnim tokom.
2. Montažni zatič priključka odprite do konca. Odstranite/vstavite ustrezen priključek (slika 7).
3. Montažni zatič priključka povsem zaprite, da se zaklene v zaprtem položaju. Montažni zatič priključka mora biti povsem zaprt, da med uporabo preprečite poškodbo orodja. Lučke orodja bodo svetile za označitev, glejte sliko 5 za lučke stanja orodja.

**OPOMBA!** Ne upravljajte orodja brez priključka na mestu, saj lahko to poškoduje orodje.



Slika 7 - Montažni zatič priključka

## Priprava povezave

**OPOMBA** Ta navodila so splošna praksa za več vrst priključkov stiskalnega orodja. Ves čas upoštevajte posebna navodila za uporabo priključka stiskalnega orodja in posebna navodila proizvajalca nastavka, da zmanjšate tveganje nepravilnih stiskalnih povezav in velike materialne škode.

1. Pripravite stiskalno povezavo v skladu z navodili proizvajalca nastavka.
2. S suhimi rokami v orodje vstavite povsem napolnjeno baterijo ali adapter z izmeničnim tokom. Če uporabljate kabelski napajalni adapter z GFCI, mora imeti GFCI (RCD) nazivni preostali tok 30 mA ali manj. Enkrat pritisnite gumb za VKLOP/IZKLOP, da VKLOPITE orodje. Vse LED lučke bodo svetile zeleno, kar označuje, da je orodje pripravljeno za uporabo. Glejte sliko 5 – Lučke stanja orodja za katero koli drugo lučko.

### Stiskanje nastavka s tipičnimi škarjastimi čeljustmi

1. Držite orodje pravilno z obema rokama.

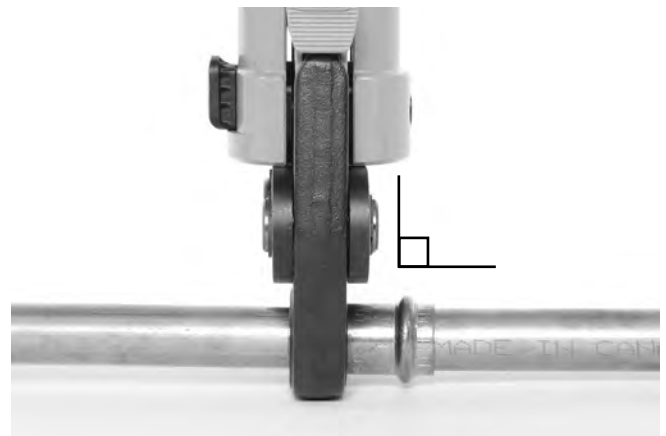


Slika 8 – Držati orodje

2. Stisnite ročici čeljusti, da čeljusti odprete.
3. Postavite odprte čeljusti okoli nastavka (slika 9). Pravilno poravnajte stiskalni profil čeljusti z obrisom nastavka, kot je določeno v navodilih za namestitvev proizvajalca nastavka. Spustite ročice čeljusti, da zaprete čeljusti okoli nastavka. Ne obešajte kompleta čeljusti z nastavka. Orodje bi lahko nepričakovano padlo in povzročilo resne poškodbe ali smrt.



Slika 9 – Nameščanje škarjastih čeljusti okoli nastavka



Slika 10 – Čeljusti pravokotno na nastavek

4. Potrdite, da je čeljust ustrezno postavljena in pravokotno na nastavek (slika 10). Držite prste in dlani stran od čeljusti, da preprečite poškodbe zaradi zmečkanja v čeljusti ali med čeljustmi in okolico.

**Običajni način:** Pritisnite stikalo za zagon (sliki 1 & 2). Ko se cikel orodja začne in se valji dotaknejo rok čeljusti, se orodje zaklene in samodejno zaključijo cikel. Sproščanje stikala orodja, ko je zaklenjeno, ne bo ustavilo. To zagotavlja dosledno, ponovljivo integriteto stiskalne povezave.

**Nadzorni način:** Pritisnite stikalo za zagon (sliki 1 & 2). Čeljusti bodo vstavile nastavek, toda stiskalna povezava ni vzpostavljena. Po potrebi prilagodite. Ponovno pritisnite stikalo za zagon, orodje se bo zaklenilo in samodejno zaključilo cikel. Sproščanje stikala orodja, ko je zaklenjeno, ne bo ustavilo. To zagotavlja dosledno, ponovljivo integriteto stiskalne povezave.

Če morate orodje odstraniti, preden je stiskalna povezava zaključena, znova pritisnite gumb za sprostitvev tlaka (sliki 1 & 2).





## Pregled stisnjene povezave

- Preglejte stisnjen nastavek za:
  - Celovito vstavljanje cevi v nastavek.
  - Prekomerna nepravilna cevi. Rahla nepravilna na stiskalni povezavi se šteje za običajno.
  - Nepravilna poravnava priključka z obrisom nastavka. Popačeni ali deformirani nastavek.
  - Kakršne koli druge težave pri proizvajalcu nastavka. To lahko vključuje odstranitev nadzornega obroča ali nalepke (ki označuje, da povezava še ni pritisnjena). Če najdete kakršne koli težave, nastavek odstranite in namestite novo stiskalno povezavo.
- Preverite stiskalno povezavo v skladu z navodili proizvajalca priključkov, običajno prakso in uporabnimi kodami.

## Funkcije Bluetooth (brežžični prenos podatkov)

Stiskalna orodja RIDGID® RP 350 in 351 imata Bluetooth® brezžično tehnologijo, ki omogoča prenos podatkov na pravilno opremljene pametne telefone ali tablice ("naprave"), ki uporabljajo operacijske sisteme iOS ali Android.

- Prenesite ustrezno aplikacijo RIDGID® Link na svojo napravo s spletne strani RIDGID.com/apps, Google Play Store ali Apple App Store.
- Ko je orodje VKLJUČENO, lahko naprava opremljena z Bluetooth brezžično tehnologijo najde in se združi s stiskalnim orodjem. V nastavitvah Bluetooth vaše naprave izberite zeleno orodje RIDGID. Podrobne informacije o ovezovanju prek brezžične tehnologije Bluetooth najdete v navodilih naprave. Ko so lučke priključene, bodo lučke stanja orodja svetile zeleno-modro-modro-modro. Po začetni seznanitvi se večina naprav samodejno poveže z orodji, ko je brezžična tehnologija Bluetooth aktivna in je v razponu in, če so nastavitve naprave konfigurirane za to. Stiskalna orodja naj bodo zaznana manj kot 33 ft. (10 m) stran od naprave. Vsaka ovira med orodjem in napravo lahko zmanjša razpon obratovanja.
- Upoštevajte navodila za pravilno uporabo. Način obratovanja je mogoče spremeniti prek aplikacije. Aplikacija omogoča tudi spremljanje ciklov orodja.
- Brezžični prenos podatkov se IZKLOPI, ko je stiskalno orodje IZKLOPLJENO. IZKLOPITE brezžično napravo Bluetooth, da zmanjšate porabo baterije v napravi.

## Delovanje v hladnem vremenu

S padcem temperature se hidravlična tekočina zgosti in zmogljivost akumulatorja poslabša. Da se pomanjša tveganje nepravilne uporabe, orodji RP 350 in RP 351 ne bosta delovali izven temperaturnega območja specifikacije, kot je označeno z lučkami stanja orodja (slika 5).

Ko so okoljski pogoji izven razpona temperature v specifikacijah, imejte orodje in akumulatorje v ogrevanem prostoru, dokler ga ne uporabljate.

## Skladiščenje

Odstranite baterijo ali adapter z izmeničnim tokom iz stiskalnega orodja. Stiskalno orodje in baterijo hranite v torbici. Preprečite shranjevanje v skrajno hladnem ali vročem okolju. Orodje se ne VKLOPI, če je orodje izven določenega razpona. To bodo označile lučke stanja orodja. (Glejte sliko 5)

**⚠ OPOZORILO** Hranite orodje v suhem, zavarovanem, zaklenjenem območju, ki je izven dosega otrok in oseb, ki niso seznanjene s stiskalnim orodjem. Orodje je nevarno, če ga uporabljajo neizkušene osebe.

## Navodila za vzdrževanje

### ⚠ OPOZORILO

**Pred vzdrževanjem ali kakršnimi koli prilagoditvami se prepričajte, da je orodje IZKLOPLJENO in da je baterija ali adapter z izmeničnim tokom odstranjen iz orodja.**

## Čiščenje in mazanje

- Orodje dnevno obrišite s čisto suho krpo.
- Preglejte montažni zatič priključka in zatič po potrebi namažite s silikonskim mazivom.
- Pri vsaki uporabi preverite povratne vzmeti v priključkih. Priključki se morajo prosto odpirati in zapirati le z zmernim naporom prsta.

## Servisiranje in popravilo

### ⚠ OPOZORILO

**Neustrezno servisiranje ali popravilo lahko naredi orodje nevarno za obratovanje.**

Servis in popravila na stiskalnih orodjih RP 350 in RP 351 lahko opravlja je pooblaščen servisni center RIDGID.

Za informacije o najbližjem pooblaščenem, neodvisnem servisnem centru RIDGID ali v primeru kakršnih koli vprašanj glede servisiranja ali popravila glejte razdelek *Kontaktne informacije* v tem priročniku.



## Odpravljanje napak

SIMPTOM	MOŽNI VZROKI	REŠITEV
<b>Orodje se ne bo VKLOPILO ob pritisku gumba za VKLOP/ IZKLOP.</b>	Baterija je popolnoma prazna ali je okvarjena. Baterija ni pravilno vstavljena v ročaj orodja Adapter z izmeničnim tokom ni pravilno vstavljen v orodje.	Vstavite popolnoma napolnjeno baterijo/ baterijo napolnite. Preverite, ali je baterija popolnoma vstavljena. Adapter z izmeničnim tokom vstavite pravilno v orodje.
<b>Priključek je zaklenjen na nastavek.</b>	Stiskalna povezava ni bila uspešno zaključena.	Pritisnite gumb za sprostitev tlaka, da odstranite čeljusti iz nastavka. Preglejte in ponovno pritisnite nastavek.
<b>Ustvarjene stisnjene povezave ne zadostujejo.</b>	Uporaba napačne čeljusti za velikost cevi ali material. Orodje ni pravokotno na cevi. Obroba priključka za stiskanje ni bila poravnana z obrobo nastavka. Orodje potrebuje popravilo.	Namestite pravi priključek. Razveljavite stiskalno povezavo z novim nastavkom in novo cevjo. Zagotovite, da je orodje pravokotno na cev. Razveljavite spoj z novo cevjo in novim nastavkom. Prepričajte se, da je stikalni obris priključka poravnana z obrisom nastavka. Pošljite na servis.
<b>Iz orodja pušča olje.</b>	Težave s tesnili ali mehanske težave.	
<b>Motor deluje, a orodje ne zaključi cikla.</b>	Nizek nivo olja.	Pošljite na servis.
<b>Orodje se ustavi med obratovanjem.</b>	Nizek nivo olja.	

Glejte sliko 5 - Lučke stanja orodja

## Dodatna oprema

### ⚠ OPOZORILO

Da zmanjšate tveganje za resne telesne poškodbe, uporabljajte le opremo, posebej zasnovano in priporočeno za uporabo s stikalnima orodjema RP 350 in RP 351, kot sta navedena spodaj.

### Kompleti baterij in adapterjev

Katalogška št.	Opis
56513	Litijonska baterija RB-1825 18V 2,5 Ah
56518	Litijonska baterija RB-1850 18V 5,0 Ah
44468	Napajalni adapter 120 AC – Severna Amerika
43338	Napajalni adapter 220 AC – Evropa
44823	Napajalni adapter 120 AC – Kitajska

### Polnilniki in kabli

Katalogška št.		Področje	Vrsta vtiča
64383	Polnilnik RBC-30	Severna Amerika	A
56523	Polnilnik RBC-30	Evropa	C
64388	Polnilnik RBC-30	Kitajska	A
64393	Polnilnik RBC-30	Avstralija	I
64378	Polnilnik RBC-30	Japonska	A
64398	Polnilnik RBC-30	Velika Britanija	G
64173	Polnilni kabel RBC-30	Severna Amerika	A
64183	Polnilni kabel RBC-30	Evropa	C

Za kompleten seznam opreme RIDGID, ki je na voljo za ta orodja, glejte katalog Ridge Tool na RIDGID.com ali pogledjte razdelek *Kontaktne informacije*.

## Odstranjevanje

Deli teh orodij vsebujejo dragocene dele in jih je možno reciklirati. Podjetja, ki so specializirana za recikliranje, lahko najdete tudi v svoji bližini. Komponente zavržite skladno z vsemi zadevnimi predpisi. Ve informacij poiščite pri komunalni upravi v svojem kraju.



**Za države ES:** Električne opreme ne zavržite med gospodinjske odpadke!

V skladu z Evropsko direktivo 2012/19/EU o odpadni električni in elektronski opremi in njenem vključevanju v državno zakonodajo, mora neuporabna električna oprema biti zbrana ločeno in odstranjena na pravilen okoljevarstveni način.

## Elektromagnetna združljivost (EMC)

Izraz »elektromagnetna združljivost« označuje zmožnost nemotenega delovanja izdelka v okolju, kjer so prisotna elektromagnetna sevanja in elektrostatična praznjenja, brez povzročanja elektromagnetnih motenj na drugi opremi.

**OPOMBA** To orodje je v skladu z vsemi standardi EMC. Kljub temu ne moremo jam iti, da ne bo povzročala motenj na drugih napravah. Vsi z EMC povezani standardi, ki so bili testirani, se navajajo v tehnični dokumentaciji orodja.

## Izjava FCC/ICES

Ta naprava je skladna s 15. delom pravil FCC. Za delovanje veljajo naslednji pogoji:

1. Naprava ne povzroča škodljivih motenj.
2. Naprava mora sprejemati vse motnje, vključno s tistimi, ki lahko povzročajo neželeno delovanje.

Spremembe, ki niso izrecno odobrene s strani podjetja, lahko razveljavijo pooblastilo uporabnika za uporabo opreme.

Ta oprema je bila preizkušena in ustreza omejitvam za digitalne naprave razreda A, kot jih določa 15. del pravil FCC. Te omejitve so zasnovane tako, da zagotavljajo primerno zaščito pred škodljivimi motnjami, kadar oprema deluje v komercialnem okolju. Oprema proizvaja, uporablja in lahko seva radiofrekvenčno energijo ter, če ni pravilno nameščena in se ne uporablja v skladu z navodili, lahko povzroča škodljive motnje pri radijskih komunikacijah. Delovanje te opreme v stanovanjskem območju bo verjetno povzročilo škodljive motnje, v tem primeru bo moral uporabnik motnje odpraviti na svoje stroške.

Izdelek je skladen s kanadskimi specifikacijami ICES-003 razreda A. *Glejte oznako izjave na orodju.*

# RP 350/RP 351

## Stezni alati



### **⚠ UPOZORENJE!**

Pažljivo pročitajte priručnik za rukovaoca pre korišćenja ovog alata. Nepoznavanje i nepridržavanje uputstava iz ovog priručnika može imati za posledicu strujni udar, požar i/ili teške telesne povrede.

#### Stezni alati RP 350/RP 351

Zapišite donji serijski broj i sačuvajte serijski broj proizvoda koji se nalazi na natpisnoj pločici.

Serijski  
br.

## Sadržaj

<b>Formular za zapisivanje serijskog broja uređaja</b> .....	305
<b>Sigurnosni simboli/simboli</b> .....	307
<b>Opšta sigurnosna upozorenja za električne alate</b> .....	307
Sigurnost radnog područja.....	307
Zaštita od struje.....	307
Lična zaštita .....	308
Upotreba i Održavanje električnog alata.....	308
Upotreba i održavanje električnog alata sa baterijom .....	309
Servisiranje .....	309
<b>Posebne informacije o bezbednosti</b> .....	309
Bezbednost steznog alata .....	309
<b>RIDGID® kontaktne informacije</b> .....	310
<b>Opis</b> .....	310
<b>Tehnički podaci</b> .....	312
Standardna oprema .....	313
<b>Pregled pre upotrebe</b> .....	313
<b>Podešavanje i rad</b> .....	314
Skidanje/postavljanje nastavaka.....	314
Priprema spajanja.....	314
Stezanje priključka običnim makazastim čeljustima .....	315
Presovanje priključka tipičnim aktuatorom i kompletom prstenaste prese.....	316
Provera priključka .....	316
Funkcije Bluetooth-a (bežični prenos podataka).....	317
Rad po hladnom vremenu .....	317
<b>Skladištenje</b> .....	317
<b>Uputstva za održavanje</b> .....	317
Čišćenje i podmazivanje.....	317
<b>Servisiranje i popravke</b> .....	317
<b>Lociranje i uklanjanje kvarova</b> .....	318
<b>Opcionalna oprema</b> .....	319
<b>Odstranjivanje</b> .....	319
<b>Elektromagnetna kompatibilnost (EMC)</b> .....	320
<b>FCC/ICES izjava</b> .....	320
<b>EC izjava o usklađenosti</b> .....	Iza zadnjeg poklopca
<b>Garancija u toku radnog veka</b> .....	Na poleđini korice

\*Prevod originalnih uputstava



## Sigurnosni simboli/simboli

Sigurnosni simboli i reči upozorenja u ovom priručniku za rukovaoca i na proizvodu se koriste da bi nam ukazali na važne sigurnosne informacije. Ovo poglavlje je namenjeno boljem razumevanju tih signalnih reči i simbola.



Ovo je simbol sigurnosnog upozorenja. On se koristi da bi vas upozorio na potencijalne opasnosti povređivanja pri nesrećnim slučajevima. Da biste sprečili telesne povrede i smrtni ishod, pridržavajte se svih sigurnosnih poruka koje prate ovaj simbol.



**OPASNOST** OPASNOST ukazuje na opasnu situaciju koja, ako se ne izbegne, može prouzrokovati teške telesne povrede ili smrt.



**UPOZORENJE** UPOZORENJE označava opasnu situaciju koja, ako se ne izbegne, može prouzrokovati smrt ili teške telesne povrede.



**PAŽNJA** PAŽNJA označava opasnu situaciju koja, ako se ne izbegne, može prouzrokovati lakše ili srednje teške telesne povrede.



**NAPOMENA** NAPOMENA ukazuje na informacije koje se odnose na zaštitu imovine.



Ovaj znak vas upozorava da pre korišćenja opreme pažljivo pročitate priručnik za rukovaoca. Priručnik za rukovaoca sadrži važne informacije o sigurnosti i ispravnom radu opreme.



Ovaj simbol upozorava na obaveznu upotrebu zaštitne maske ili zaštitnih naočara sa bočnim štitnicima prilikom manipulacije ili korišćenja ove opreme, da bi se izbegla opasnost od povreda očiju.



Ovaj simbol označava rizik da ruke, prsti ili drugi delovi tela budu zgnječeni.



Ovaj znak označava opasnost od električnog udara.



Ovaj simbol ukazuje da je oprema namenjena isključivo upotrebi u zatvorenom prostoru.



Ovaj simbol ukazuje da je proizvod oprema klase II.



Ovaj simbol ukazuje da je ovo električna oprema koju ne bi trebalo odlagati sa otpadom domaćinstva. *Pogledajte poglavlje "Odlaganje".*



Ovaj simbol ukazuje da je ovo električna oprema koja ispunjava zahteve važećih direktiva EC.



Ovaj simbol ukazuje na godinu proizvodnje ovog proizvoda.

## Opšta sigurnosna upozorenja za električne alate\*

### UPOZORENJE

**Pročitajte sva bezbednosna upozorenja, uputstva, ilustracije i specifikacije koje ste dobili uz ovaj električni alat. Nepridržavanje svih uputstava nabrojanih ispod može imati za posledicu električni udar, požar i/ili tešku povredu.**

### SAČUVAJTE SVA UPOZORENJA I UPUTSTVA ZA BUDUĆE KORIŠĆENJE!

Izraz "uređaj na struju" u upozorenjima se odnosi na uređaj koji je kablom priključen na električnu mrežu ili bežični uređaj koji radi na akumulatorske baterije.

### Sigurnost radnog područja

- **Održavajte radni prostor čistim i dobro osvetljenim.** Neuredna ili mračna područja su pogodna za nesreće.

- **Nemojte koristiti električni alat u eksplozivnoj atmosferi, kao što je ona u kojoj postoji prisustvo zapaljivih tečnosti, gasova ili prašine.** Električni alati stvaraju varnice koje mogu zapaliti prašinu ili gasove.
- **Tokom rada sa električnim alatom decu i posmatrača držite podalje.** Ometanje može dovesti do gubitka kontrole.

### Zaštita od struje

- **Utikači električnih alata moraju biti prilagođeni utičnicama. Ni u kom slučaju nemojte prepravljati utikač. Sa uređajima na struju koji treba da su uzemljeni nemojte da koristite nikakve adaptere za utikač.** Nemodifikovani utikači i odgovarajuće utičnice će umanjiti rizik od strujnog udara.
- **Izbegavajte telesni kontakt sa uzemljenim površinama, kao što su cevi, radijatori, štednjaci i rashladni uređaji.** Ako je vaše telo uzemljeno postoji povećana opasnost od električnog udara.

\* Tekst korišćen u poglavlju Opšta sigurnosna upozorenja ovog priručnika je doslovno preuzet, koliko je to bilo potrebno, iz važećeg standarda UL/CSA 62841-1. Ovo poglavlje sadrži opšta sigurnosna pravila tehničke eksploatacije za nekoliko različitih tipova električnih alata. Svaka mera predostrožnosti nije primenljiva na svaki alat i samo neke se mogu primeniti na ovaj alat.

- **Električne alate nemojte izlagati kiši ili vlazi.** Ukoliko u električni alat uđe voda, povećava se rizik od električnog udara.
- **Nemojte grubo postupati sa kablom. Kabl nikada nemojte koristiti za nošenje, povlačenje ili izvlačenje utikača električnog alata. Neka kabl bude daleko od izvora toplote, ulja, oštih ivica ili pokretnih delova.** Oštećeni ili umršeni kablovi povećavaju opasnost od strujnog udara.
- **Kada električnim alatom radite napolju, koristite produžni kabl koji je pogodan za upotrebu na otvorenom.** Korišćenje kabla koji je pogodan za upotrebu na otvorenom smanjuje rizik od strujnog udara.
- **Ako je rad električnim alatom na vlažnom mestu neizbežan, upotrebite napajanje sa zaštitom (GFCI - prekidač strujnog kola u slučaju greške uzemljenja).** Korišćenje GFCI smanjuje rizik od strujnog udara.

## Lična zaštita

- **Prilikom rada električnim alatom, održavajte budnost, gledajte šta radite i koristite zdrav razum. Nemojte koristiti električni alat ako ste umorni ili pod uticajem droga, alkohola i lekova.** Trenutak nepažnje pri korišćenju električnog alata može prouzrokovati tešku telesnu povredu.
- **Koristite ličnu zaštitnu opremu. Uvek nosite zaštitu za oči.** Zaštitna oprema kao na primer maska za zaštitu od prašine, neklizajuće zaštitne cipele, zaštitna kaciga ili zaštita za sluh, korišćena pri odgovarajućim uslovima, smanjuje opasnost od povreda.
- **Sprečite slučajno pokretanje. Vodite računa da prekidač bude u poziciji OFF (isključeno) pre priključenja na napajanje i/ili bateriju, podizanja ili nošenja alata.** Nošenje električnog alata sa prstom na prekidaču ili stavljanje električnog alata pod napon sa prekidačem na poziciji ON (uključeno) izaziva nezgodu.
- **Pre UKLJUČENJA alata, uklonite bilo kakav ključ za podešavanje ili zavrtnje.** Francuski ključ ili ključ koji je ostavljen zakačen na obrtni deo električnog alata može dovesti do povrede.
- **Nemojte se naginjati. Zadržite čvrst stav i ravnotežu sve vreme.** To vam omogućava bolju kontrolu nad električnim alatom u neočekivanim situacijama.
- **Propisno se obucite. Nemojte nositi neučvršćenu odeću ili nakit. Kosu, odeću i rukavice držite što dalje od pokretnih delova.** Labava odeća, nakit ili kosa mogu biti uhvaćeni u pokretne delove.
- **Ukoliko postoje uređaji za povezivanje postrojenja namenjenih za izvlačenje i sakupljanje prašine, uverite se da su povezani i korišćeni na ispravan način.** Sakupljanje prašine može smanjiti opasnosti prouzrokovane prašinom.
- **Nemojte dozvoliti da vas poznavanje rukovanja koje ste dobili čestom upotrebom alata učini neopreznim i učini da zanemarite bezbednosne principe rukovanja alatom.** Neoprezan rad može prouzrokovati tešku povredu u deliću sekunde.

## Upotreba i Održavanje električnog alata

- **Nemojte dasilite električni alat. Koristite odgovarajući električni alat za potrebnu namenu.** Odgovarajući električni alat će posao obaviti bolje i bezbednije brzinom za koju je konstruisan.
- **Nemojte koristiti električni alat ako se prekidačem ne može UKLJUČITI i ISKLJUČITI.** Svaki električni alat koji se ne može kontrolisati pomoću prekidača je opasan i potrebno ga je popraviti.
- **Izvadite utikač iz izvora napajanja i/ili uklonite bateriju iz električnog alata, pre sprovođenja bilo kakvih izmena, promene dodatka ili skladištenja.** Takve preventivne sigurnosne mere smanjuju rizik od slučajnog pokretanja električnog alata.
- **Odložite električni alat koji ne koristite van domašaja dece i nemojte dozvoliti korišćenje osobama koje nisu upoznate sa električnim alatom ili ovim uputstvima.** Električni alat je opasan u rukama neobučenih korisnika.
- **Održavajte električne alate. Proverite da alat nije pogrešno namešten ili da nisu pogrešno spojeni pokretni delovi, da delovi nisu polomljeni kao i sve druge razloge koji mogu da utiču na rad električnog alata. Ako se ošteti, električni alat pre upotrebe, popravite.** Loše održavani električni alati su uzrok mnogih nezgoda.
- **Rezne alate održavajte ostrim i čistim.** Pravilno održavani rezni alati sa ostrim reznim ivicama se ređe zaglavljaju i lakše ih je kontrolisati.
- **Električni alat, dodatke, nastavke alata itd. koristite u skladu sa ovim uputstvima, imajući u vidu radne uslove i posao koji treba uraditi.** Korišćenje električnog alata za rad drugačiji od onog za koji je namenjen može dovesti do opasne situacije.
- **Održavajte ručke i površine za hvatanje suvim, čistim i bez ulja i masti.** Klizave ručke i površine za hvatanje ne omogućuju sigurno rukovanje i kontrolu nad alatom u nepredviđenim situacijama.

## Upotreba i održavanje električnog alata sa baterijom

- **Punjenje baterije vršite isključivo punjačem koji je odredio proizvođač.** Punjač koji odgovara jednom tipu baterije može da stvori rizik od požara ako se koristi sa drugim tipom baterije.
- **Isključivo koristite električni alat sa posebno određenim baterijama.** Korišćenje drugačijih baterija može da izazove rizik od povrede i požara.
- **Kada se baterija ne koristi, čuvajte je podalje od drugih metalnih predmeta kao što su spajalice, novčići, ključevi, ekseri, zavrtnji ili drugih malih metalnih predmeta koji bi mogli da spoje terminale baterije.** Prespajanje polova baterije može da izazove opekotine ili požar.
- **U okolnostima zloupotrebe, iz baterije može iscuriti tečnost; izbegavajte kontakt. Ako se kontakt slučajno dogodi, isperite vodom. Ukoliko tečnost dođe u kontakt sa očima, obratite se lekaru.** Tečnost koja iscuri iz baterije može da izazove nadražaj kože ili opekotine.
- **Nemojte koristiti bateriju ili alat koji su oštećeni ili modifikovani.** Oštećene ili modifikovane baterije mogu imati nepredvidljivo ponašanje koje može izazvati požar, eksploziju ili predstavljati rizik od telesne povrede.
- **Baterije ili alat nemojte izlagati vatri ili prekomernoj temperaturi.** Izlaganje vatri ili temperaturi iznad 265 °F (130 °C) može izazvati eksploziju.
- **Pratite sva uputstva u vezi punjenja i nemojte puniti baterije ili alat van temperaturnog opsega naznačenog u uputstvima.** Nepravilno punjenje ili pri temperaturama van naznačenog opsega može oštetiti bateriju i povećati rizik od požara.

## Servisiranje

- **Električni alat može popravljati samo kvalifikovano servisno osoblje koje upotrebljava identične zamenske delove.** To će omogućiti da se održi sigurnost električnog alata.

## Posebne informacije o bezbednosti

### ⚠ UPOZORENJE

Ovo poglavlje sadrži važne sigurnosne informacije koje su specifične za ovaj alat.

Pažljivo pročitajte ove mere predostrožnosti pre upotrebe steznog alata da biste smanjili opasnost od strujnog udara ili druge teške povrede.

## SAČUVAJTE SVA UPOZORENJA I UPUTSTVA ZA BUDUĆE KORIŠĆENJE!

U prenosnoj alatnoj kutiji se nalazi pregrada za ovo uputstvo kako bi bio uz alat, na raspolaganje operateru.

## Bezbednost steznog alata

- **Prste i šake držite podalje od steznih nastavaka tokom ciklusa presovanja.** Prsti ili šake mogu biti zgnječeni, polomljeni ili odsečeni ako se nađu unutar dodatka ili između ovih delova i drugih predmeta.
  - **Nemojte nikada pokušati da popravite oštećene nastavke (čeljusti, prstenastu presu, aktuator, itd.). Odbacite čitav oštećeni nastavak.** Nastavak koji je varen, brušen, bušen ili modifikovan na bilo koji način može se zdrobiti tokom presovanja što može izazvati tešku povredu. Ako ne zamenite čitav nastavak može doći do otkaza komponente i teške povrede.
  - **Velike sile koje nastaju prilikom upotrebe proizvoda mogu slomiti ili baciti delove i time dovesti do povrede.** Odmaknite se tokom upotrebe i nosite odgovarajuću zaštitnu opremu, uključujući i zaštitu za oči.
  - **Koristite isključivo RIDGID® stezne alate uz RIDGID nastavke ili nastavke sa RIDGID odobrenjem (čeljusti, prstenaste prese, aktuatori, itd.).** Drugačija upotreba ili vršenje izmena na steznom alatu radi druge primene može oštetiti stezni alat, oštetiti dodatke i/ili prouzrokovati telesnu povredu.
  - **Koristite ispravne kombinacije alata, nastavka i priključka.** Nepravilne kombinacije mogu prouzrokovati nedovršen spoj, što povećava rizik od curenja, oštećenja opreme i povrede.
  - **Pre upotrebe RIDGID® steznog alata, sa razumevanjem pročitajte:**
    - Ovaj priručnik za rukovaoca
    - Uputstvo o nastavcima
    - Priručnik baterije/punjača
    - Uputstvo o montaži
    - Uputstva za bilo koju drugu opremu ili materijal koja se koristi sa ovim alatom
- Nepridržavanje svih uputstava i upozorenja može dovesti do oštećenja imovine i/ili teške telesne povrede.

## RIDGID® kontaktne informacije

Ako imate nekih pitanja u vezi sa ovim RIDGID® proizvodom:

- Kontaktirajte lokalno RIDGID predstavništvo.
- Kako biste pronašli lokalno RIDGID kontaktno mesto, posetite RIDGID.com.
- Kontaktirajte Ridge Tool Odeljenje za tehničku podršku na [rtctechservices@emerson.com](mailto:rtctechservices@emerson.com), ili u SAD i Kanadi pozovite (800) 519-3456.

## Opis

Stezni alati RIDGID® RP 350 i RP 351, kada se koriste sa odgovarajućim nastavcima, projektovani su za automatsko stezanje konektora na cevi za pravljenje hermetičnih i trajnih zaptivki, kao što je u vodovodnim, instalacijama za grejanje, klimatizaciju i hlađenje. Dostupni su i nastavci za drugu namenu.

Kada se pritisne prekidač za pokretanje, unutrašnji električni motor pokreće hidrauličnu pumpu koja šalje tečnost u cilindar alata, pomerajući klip prema napred i primenjujući silu na nastavak, što vrši stezanje priključka. Ciklus stezanja traje približno 4 sekunde. Kada ciklus počne da deformiše priključak, to će se nastaviti bez prekida do završetka, čak i ako se prekidač za pokretanje otpusti.

Alat sadrži i drugi radni režim ("kontrolni režim") koji se može uključiti pomoću aplikacije RIDGID Link. Kontrolni režim omogućava da priključak bude zahvaćen pre stezanja kako bi se proverilo pravilno poravnanje nastavka, priključka i cevi.

Statusne lampice alata ukazuju na stvari kao što su status alata, status baterije, potreba za održavanjem ili nepravilna temperatura. Radno svetlo se UKLJUČUJE kada se pritisne prekidač za pokretanje kako bi osvetlilo radni prostor. Glava može rotirati 360° radi boljeg pristupa u skućenom prostoru.

Alati poseduju petlje od tkanine koje se mogu koristiti uz prikladne nastavke kao što su remeni ili sigurnosni vezovi.



Slika 1 – Stezni alat RIDGID RP 350 i čeljust Standard serije

Stezni alati uključuju Bluetooth®\* bežičnu tehnologiju za povezivanje sa pametnim telefonima i tabletima. Pogledajte "Bluetooth funkcije (bežični prenos podataka)" poglavlje za detalje.

\* Bluetooth® oznaka i logotipi su registrovani zaštitni znaci kompanije Bluetooth SIG, inc i bilo kakva upotreba tih znakova od strane kompanije Emerson Electric Co. je uz licencu. Drugi zaštitni znaci i zaštitni nazivi pripadaju njihovim vlasnicima.



Slika 2 – Stezni alat RIDGID RP 351 i čeljust Standard serije

#	Opis	
1	Komplet makazastih čeljusti	7 Dugme za otpuštanje pritiska (RP 351 dalja strana)
2	Klin za montažu nastavka	8 Ručka
3	Statusne lampice alata	9 Baterija
4	Dugme UKLJUČI/ISKLUČI	10 Prekidač za pokretanje
5	Upozoravajuća nalepnica (Donja strana RP 351)	11 Radno LED svetlo
6	Petlja od tkanine	12 Bočna pločica čeljusti

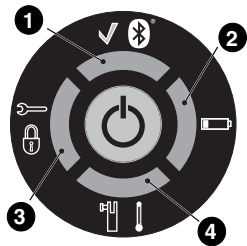


Slika 3 – Serijski broj aparata - zaokružene cifre ukazuju na godinu i mesec proizvodnje. (YY = godina, MM = mesec).

Komanda	Oznaka	Opis
Dugme Uklj/Isklj		Glavni prekidač napajanja alata. (I = UKLJUČENJE, O = ISKLJUČENJE). UKLJUČENJE: Pritisnite dugme dok se lampica ne UKLJUČI. Pogledajte sliku 5 – Statusne lampice alata. ISKLJUČENO: Pritisnite dugme dok se lampica ne ISKLJUČI. Alat će se automatski ISKLJUČITI ako se ne koristi deset (10) minuta.
Prekidač za pokretanje	—	<b>Uključenje radnog svetla:</b> Blago pritisnite prekidač za pokretanje. <b>Normalni režim:</b> Pritisnite prekidač za pokretanje da biste započeli ciklus presovanja, otpustite kada se alat zaključa. Normalni režim je fabričko podešavanje. <b>Kontrolni režim:</b> Otpustite prekidač za pokretanje da biste aktivirali nastavak na radnom komadu. Uradite potrebna podešavanja. Pritisnite prekidač za pokretanje ponovo da biste započeli ciklus presovanja, otpustite kada se alat zaključa. Kada se zaključao otpuštanje prekidača neće zaustaviti alat. Ovo obezbeđuje dosledan, uzastopan integritet presovanog spoja. Režim se može promeniti pomoću aplikacije RIDGID Link, pogledajte poglavlje Bluetooth funkcije.
Dugme za otpuštanje pritiska		Omogućuje da se alat otpusti bez završetka presovanja. Ako se upotrebi, presovani spoj nije završen i mora se ponoviti.
Klin za montažu nastavka	—	Pričvršćuje nastavak za alat. Da bi alat radio mora se potpuno umetnuti. Pogledajte sliku 6.

Slika 4 – Šema komandi





Broj lampice (lampica neprekidno svetli)				Opis
1 ✓ Bluetooth	2 [Battery Icon]	3 [Lock Icon]	4 [Wrench & Screwdriver Icon]	
—	—	—	—	Stezni alat isključen (ISKLUČI).
Zelena	Zelena	Zelena	Zelena	Pritisnuto dugme UKLJUČI, svetli 4 sekunde na pokretanju, alat u "Normalnom režimu".
Plava	Plava	Plava	Plava	Pritisnuto dugme UKLJUČI, svetli 4 sekunde na pokretanju, alat u "Kontrolnom režimu" - pogledajte poglavlje <i>Bluetooth funkcije</i> da biste promenili režim.
Zelena	—	—	—	Stezni alat u Normalnom režimu, u pripravnosti, stezni alat spreman za rad.
Crvena	Žuta	Žuta	Žuta	Alat je neispravan. Alat neće raditi. Uklonite i ponovo postavite bateriju ili AC adapter. Ako lampica i dalje svetli, odnesite alat na servisiranje.
Crvena	—	—	—	Alat je neispravan. Alat neće raditi. Uklonite i ponovo postavite bateriju ili AC adapter. Ako crvena lampica i dalje svetli, odnesite alat na servisiranje.
Žuta	—	Crvena	Crvena	Alat i/ili baterija izvan temperaturnog opsega u tehničkim podacima. Alat neće raditi. Dovedite alat i bateriju u pravilan temperaturni opseg za rad.
Žuta	—	—	Crvena	Klin za montažu nastavka nije umetnut do kraja. Alat neće raditi. U potpunosti umetnite klin. Ako lampice i dalje svetle, odnesite alat na servisiranje.
Žuta	Crvena	—	—	Istrošena baterija. Alat neće raditi. Napunite bateriju/stavite potpuno punu bateriju.
Zelena	Plava	Plava	Plava	Bluetooth veza je uspostavljena, u pripravnosti, stezni alat spreman za rad - Za više informacija pogledajte poglavlje <i>Bluetooth Funkcije</i> .
		Ljubičasta		Ažuriranje firmvera u toku, alat se ne može koristiti u toku ažuriranja.

Slika 5 – Statusne lampice alata

## Tehnički podaci

	Pištoljski stezni alat RP 350	Linijski stezni alat RP 351
Nastavci .....	RIDGID Standard serija	RIDGID Standard serija
Hod klipa.....	1.57" (40 mm)	1.57" (40 mm)
Motor		
Napon .....	18 V DC nominalno	18 V DC nominalno
Jačina struje.....	23 A	23 A
Snaga .....	480 W	480 W
Sila klipa.....	7,200 lbs. (32 kN)	7,200 lbs. (32 kN)
Rotacija glave .....	360°	360°
Radni ciklus.....	3 Stezanje /min	3 Stezanje /min
Napajanje .....	Baterija Li-Ion serije RIDGID RB-18XX od 18 V ili AC adapter napajanja, naizmenične struje RIDGID RPA 120/220 (pogledajte poglavlje <i>Opciona oprema</i> )	
Bluetooth domet.....	33 ft. (10 m)	33 ft. (10 m)
Dozvoljena vlažnost .....	maksimalno 80%	maksimalno 80%

Raspon radne temperature .....	15° F do 122° F (-10° C do 50° C)	15° F do 122° F (-10° C do 50° C)
Temperatura skladištenja.....	32° F do 113° F (0° C do 45° C)	32° F do 113° F (0° C do 45° C)
Težina (bez baterije/nastavka).....	7.83 lbs (3,55 kg)	7.83 lbs (3,55 kg)
Dimenzije .....	11.3" x 11.0" x 3.1"	15.7" x 4.65" x 3.1"
	287 mm x 279 mm x 77 mm	398 mm x 118 mm x 77 mm
Zvučni pritisak (L <sub>PA</sub> )* .....	<74,5 dB(A), K=3 dB(A)	<74,5 dB(A), K=3 dB(A)
Vibracije* .....	<1,13 m/s <sup>2</sup> , K=1,5	<1,13 m/s <sup>2</sup> , K=1,5

\* Merenje zvuka i vibracija je izvršeno u skladu sa standardizovanim testovima po standardu EN 62481-1.

- Nivoi vibracija se mogu koristiti za poređenje sa drugim alatima i za preliminarnu procenu izloženosti.

- Emisija zvuka i vibracija može varirati usled lokacije i konkretne upotrebe ovih alata.

- Nivo dnevne izloženosti na zvuk i vibracije se mora proceniti za svaku pojedinačnu primenu i ako je potrebno, moraju se preduzeti prikladne sigurnosne mere. Procena nivoa izloženosti mora uzeti u obzir vreme kada je alat isključen i nije u upotrebi. Ovo može značajno umanjiti nivo izloženosti u toku ukupnog radnog perioda.

## Standardna oprema

Pogledajte RIDGID katalog u vezi detalja o opremi opremljenoj konkretnim kataloškim brojevima alata.

**NAPOMENA!** Nastavci RIDGID steznog alata nude se u dve "serije"

- Serija Standard
- Serija Compact

Ove serije nastavaka se ne mogu međusobno izmenjivati. Nastavci serije Standard će funkcionisati isključivo uz alate serije Standard (RP 350, RP 351, RP 342-XL, RP 340, RP 330, 320-E, CT-400). Nastavci serije Compact će funkcionisati isključivo uz alate serije Compact (RP 240, RP 241, RP 200, RP 210, 100B).

**NAPOMENA** Izbor odgovarajućih materijala i metode spajanja je odgovornost sistemskog konstruktora i/ili instalatera. Pre pokušaja instalacije, treba sprovesti pažljivu procenu konkretnog radnog okruženja, uključujući hemijskog okruženja i temperature. Konsultujte proizvođača sistema sa presovanim priključcima u vezi izbora.

## Pregled pre upotrebe

### ⚠ UPOZORENJE



**Svakodnevno pre upotrebe pregledajte stezni alat i ispravite bilo kakav problem kako biste smanjili opasnost od teške povrede usled strujnog udara, nagnječenja, otkaza nastavka i drugih uzroka i kako biste sprečili oštećenje alata.**

1. ISKLJUČITE alat i izvadite bateriju/AC adapter iz njega.
2. Očistite bilo kakvo ulje, mast ili nečistoću sa opreme, a posebno ručke i komande. Ovo olakšava pregled i pomaže u prevenciji od klizanja alata ili komandi u rukama.

### 3. Na steznom alatu proverite sledeće:

- Da li je sve ispravno montirano, održavano i kompletirano.
- Postojanje bilo kakvih slomljenih, istrošenih, nedostajućih, neporavnatih ili spojenih delova. Proverite da li je petlja od tkanine u dobrom stanju.
- Lako kretanje klina za montažu nastavka između potpuno otvorene i potpuno zatvorene pozicije. Klin mora da se zaključa u svakoj poziciji. Proverite da li se prekidač za pokretanje slobodno kreće i ne zapinje ili blokira.
- Prisustvo i čitljivost upozoravajuće nalepnice (pogledajte Sliku 6).
- Bilo kakvo drugo stanje koje može sprečavati normalan i bezbedan rad.

Stezni alat nemojte koristiti dok se problemi ne reše.



Slika 6 - Statusne lampice/upozoravajuća nalepnica

4. Proveravajte i održavajte nastavke alata u skladu sa njihovim uputstvima. Skinite nastavak sa alata. Proverite da li je nastavak u dobrom stanju jasno označen za upotrebu.
5. Pregledajte i izvršite održavanje sve druge korišćene opreme u skladu sa uputstvima, kako biste osigurali njeno pravilno funkcionisanje.

## Podešavanje i rad

### ⚠ UPOZORENJE



Prste i šake držite podalje od steznih nastavka tokom ciklusa presovanja.

Prsti ili šake mogu biti zdrobljene, slomljene ili odsečene ako se nađu unutar nastavka, alata, između alata i nastavka, radnog predmeta i drugih objekata.

Velike sile koje nastaju prilikom upotrebe proizvoda mogu slomiti ili baciti delove i time dovesti do povrede. Odmaknite se tokom upotrebe i nosite odgovarajuću zaštitnu opremu, uključujući i zaštitu za oči.

Koristite ispravan alat, nastavak i priključke. Nepravilne kombinacije mogu prouzrokovati nedovršen pritisni priključak, što povećava rizik od curenja, oštećenja opreme i povreda.

Sledite odeljak *Podešavanje i Rad* kako biste smanjili opasnost od povreda nagnječenja i drugih uzroka i da biste sprečili oštećenje alata.

1. Proverite prikladnost radnog okruženja (*pogledajte Opšta sigurnosna upozorenja u vezi električnog alata*). Rad vršite na čistoj, ravnoj, stabilnoj, suvoj lokaciji. Nemojte koristiti alat dok stojite u vodi.
2. Proverite posao koji treba uraditi i odredite ispravan RIDGID alat i RIDGID nastavak za to prema njihovim tehničkim podacima. Korišćenje neodgovarajuće opreme za obavljanje posla može dovesti do povrede, oštećenja alata i nepotpunih spojeva.
3. Proverite da li je sva oprema pregledana i podešena prema njihovim uputstvima.

### Skidanje/postavljanje nastavaka

1. ISKLJUČITE alat i izvadite bateriju/AC adapter iz njega.
2. Potpuno otvorite klin za montažu nastavka. Skinite/postavite odgovarajući nastavak (*Slika 7*).
3. Potpuno zatvorite klin za montažu nastavka dok se ne zaključa u zatvorenoj poziciji. Klin za montažu nastavka mora biti potpuno zatvoren kako bi se sprečilo oštećenje alata tokom upotrebe. Lampice na alatu će zasvetleti radi označavanja, *pogledajte Sliku 5 za statusne lampice alata*.

**NAPOMENA!** Nemojte vršiti rad alatom bez postavljenog nastavka, ovo može oštetiti alat.



Slika 7 – Klin za montažu nastavka

### Priprema spajanja

**NAPOMENA** Ova uputstva su opšta praksa za nekoliko tipova nastavaka za stezne alate. Uvek sledite konkretna uputstva za nastavak steznog alata koji se koristi i konkretna uputstva za instalaciju proizvođača priključka kako biste umanjili rizik od nepravilnih presovanih priključaka i znatne materijalne štete.

1. Pripremite presovani priključak u skladu sa uputstvima proizvođača priključka.
2. Suvim rukama, stavite potpuno napunjenu bateriju ili AC adapter u alat. Ako koristite adapter napajanja sa kablom uz GFCI, GFCI (RCD) mora imati nominalnu odvodnu struju od 30 mA ili manje. Pritisnite dugme UKLJUČI/ISKLJUČI jednom kako biste UKLJUČILI alat. Sve LED lampice će zasvetleti zeleno ukazujući da je alat spreman za upotrebu. *Pogledajte Sliku 5 – Za bilo koje drugo osvetljenje Statusnih lampica alata.*

## Stežanje priključka običnim makazastim čeljustima

1. Ispravno držite alat sa obe ruke.

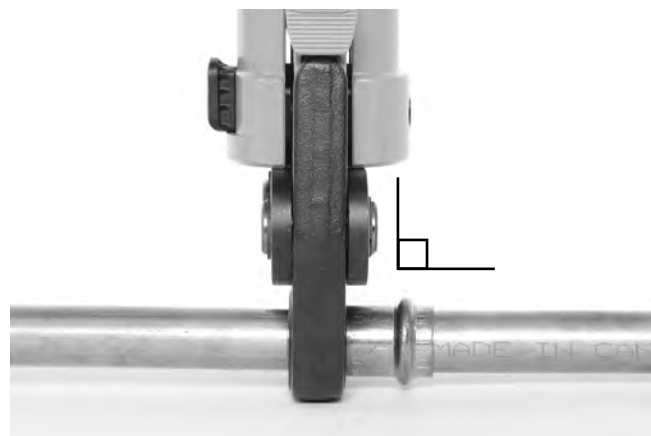


Slika 8 - Držanje alata

2. Stegnite ručke čeljusti da biste otvorili čeljusti.
3. Postavite otvorene čeljusti oko priključka (Slika 9). Pravilno poravnajte profil čeljusne prese sa konturom priključka kako je to naznačeno u Uputstvu za instalaciju, proizvođača priključka. Otpustite ručke čeljusti da biste zatvorili čeljusti oko priključka. Nemojte dopustiti da sklop čeljusti visi sa priključka. Alat može neočekivano pasti i prouzrokovati tešku povredu ili smrt.



Slika 9 - Postavljanje makazastih čeljusti oko priključka



Slika 10 - Postavljane čeljusti pod pravim uglom u odnosu na priključak

4. Proverite da li je čeljust pravilno postavljena i pod pravim uglom u odnosu na priključak (Slika 10). Prste i šake držite podalje od čeljusti i da biste izbegli nagnječenje unutar čeljusti ili između čeljusti i okolnih delova.

**Normalni režim:** Pritisnite prekidač za pokretanje (Slike 1 i 2). Kada radni ciklus alata započne i valjci uspostave kontakt sa kracima čeljusti, alat će se zaključiti i automatski završiti ciklus. Kada se zaključao otpuštanje prekidača neće zaustaviti alat. Ovo obezbeđuje dosledan, uzastopan integritet presovanog spoja.

**Kontrolni režim:** Pritisnite prekidač za pokretanje (Slike 1 i 2). Čeljusti će zahvatiti priključak ali presovani spoj nije načinjen. Uradite potrebna podešavanja. Ponovo pritisnite prekidač za pokretanje, alat će se zaključiti i automatski završiti ciklus. Kada se zaključao otpuštanje prekidača neće zaustaviti alat. Ovo obezbeđuje dosledan, uzastopan integritet presovanog spoja.

Ako se alat mora ukloniti pre završetka presovanog spoja, pritisnite dugme za otpuštanje pritiska (Slike 1 i 2).

**NAPOMENA** Svaki put kada se dugme za otpuštanje pritisne, presovani spoj NIJE završen i priključak se mora pritisnuti ponovo da bi obezbedio završetak. Ako alat otkáže u toku rada, postupite po proceduri.

5. Otpustite prekidač za rad.
6. Stegnite ručke čeljusti da biste otvorili čeljusti.
7. Uklonite čeljust sa priključka. Izbegavajte oštre ivice koje se mogu formirati na priključku tokom pritiska.
8. Kada je operacija završena, pritisnite jednom dugme UKLJUČI/ISKLUČI da biste ISKLJUČILI alat. Izvadite baterije ili AC adapter iz alata.

## Presovanje priključka tipičnim aktuatorom i kompletom prstenaste prese

1. Otvorite prsten i postavite ga oko priključka. Pravilno poravnajte profil prstenaste prese sa konturom priključka kako je to naznačeno u *Uputstvu za instalaciju, proizvođača priključka*. Otpustite prsten da bi se zatvorio oko priključka (*Slika 11*).
2. Proverite da li je u alat pravilno postavljen odgovarajući aktuator. Stegnite ručke aktuatora da biste otvorili šiljke aktuatora. Poravnajte šiljke aktuatora sa otvorima prstena. Otpustite ručke aktuatora i potpuno umetnite šiljak aktuatora u otvore prstena (*Slika 12*). Neusklađeni šiljak aktuatora sa otvorom prstena može tokom presovanja oštetiti prsten ili aktuator. Nemojte dopustiti da alat i aktuator visi sa prstenaste prese. Alat može neočekivano pasti i prouzrokovati tešku povredu ili smrt.



Slika 11 – Postavljanje prstenaste prese oko priključka



Slika 12 – Postavljanje aktuatora na prstenastu presu

3. Proverite da li je prsten pravilno postavljen i pod pravim uglom u odnosu na priključak. Prste i šake držite podalje od aktuatora i prstena da biste izbegli nagnječenje unutar nastavka ili između nastavka i okolnih delova.

**Normalni režim:** Pritisnite prekidač za pokretanje (*Slike 1 i 2*). Kada radni ciklus alata započne i valjci uspostave kontakt sa kracima čeljusti, alat će se zaključati i automatski završiti ciklus. Kada se zaključao otpuštanje prekidača neće zaustaviti alat. Ovo obezbeđuje dosledan, uzastopan integritet presovanog spoja.

**Kontrolni režim:** Pritisnite prekidač za pokretanje (*Slike 1 i 2*). Čeljusti će zahvatiti priključak ali presovani spoj nije načinjen. Uradite potrebna podešavanja. Ponovo pritisnite prekidač za pokretanje, alat će se zaključati i automatski završiti ciklus. Kada se zaključao otpuštanje prekidača neće zaustaviti alat. Ovo obezbeđuje dosledan, uzastopan integritet presovanog spoja.

4. Ako se alat mora ukloniti pre završetka presovanog spoja, pritisnite dugme za otpuštanje pritiska (*Slike 1 i 2*).

**NAPOMENA** Svaki put kada se dugme za otpuštanje pritisne, presovanje spoj NIJE završen i presovani priključak se mora pritisnuti ponovo da bi se obezbedio završetak. Ako alat otkáže u toku rada, postupite po proceduri.

5. Otpustite prekidač za rad.
6. Stegnite ručke aktuatora da biste otvorili aktuator. Skinite aktuator sa priključka.
7. Skinite prsten sa priključka. Izbegavajte oštre ivice koje se mogu formirati na priključku tokom pritiska.
8. Kada je operacija završena, pritisnite jednom dugme UKLJUČI/ISKLJUČI da biste ISKLJUČILI alat. Izvadite baterije ili AC adapter iz alata.

## Provera priključka

1. Na priključku proverite sledeće:
  - Pun ulaz cevi u priključak.
  - Značajno nepodudaranje cevi. Malo nepodudaranje na presovanom spoju se smatra normalnim.
  - Nepodudaranje nastavka sa ivicom priključka. Iskrivljen ili deformisan priključak.
  - Bilo koji drugi problem prema proizvođaču priključka. Ovo može uključiti skidanje kontrolnog prstena ili oznake (koja se koristi da ukaže kako spoj još nije presovan).

Ako se nađu bilo kakvi problemi, skinite priključak i postavite novi presovani spoj.

2. Testirajte presovani spoj u skladu sa uputstvima proizvođača konektora, uobičajene prakse i važećih pravila.



## Funkcije Bluetooth-a (bežični prenos podataka)

Stezni alati RIDGID® RP 350 i RP 351 sadrže bežičnu Bluetooth® tehnologiju koja omogućuje bežični prenos podataka do odgovarajuće opremljenih pametnih telefona ili tableta ("uređaji") koji rade na operativnim sistemima iOS ili Android.

1. Preuzmite odgovarajuću RIDGID® Link aplikaciju na svoj uređaj odlaskom na RIDGID.com/apps, Google Play Store ili Apple App Store.
2. Kada je alat UKLJUČEN, uređaj sa Bluetooth tehnologijom može pronaći i upariti se sa steznim alatom. U Bluetooth podešavanju svog uređaja, izaberite odgovarajući RIDGID alat. Pogledajte uputstva svog uređaja za konkretne informacije o tome kako da se povežete preko Bluetooth tehnologije. Kada se izvrši povezivanje, svetleće zelena-plava-plava-plava statusna lampica.

Nakon početnog uparivanja, većina uređaja će se automatski povezati sa alatom kada je Bluetooth aktivan, u dometu i ako su podešavanja uređaja konfigurisana da to uradi. Stezni alat mora biti na udaljenosti manjoj od 33 ft. (10 m) od uređaja koji treba da detektuje. Bilo kakva prepreka između alata i uređaja može smanjiti operativni domet.

3. Sledite uputstva aplikacije za pravilnu upotrebu. Režim rada se može promeniti preko aplikacije. Aplikacija takođe omogućuje kontrolu ciklusa rada alata.
4. Bežičan prenos podataka se ISKLJUČUJE kada se ISKLJUČI stezni alat. ISKLJUČITE Bluetooth bežični uređaj kako biste umanjili trošenje baterije.

## Rad po hladnom vremenu

Kako temperatura opada, hidraulična tečnost se zgušnjava i učinak baterije opada. Da bi se smanjio rizik od nepravilne upotrebe, RP 350 i RP 351 neće raditi van naznačenog raspona temperature, kao što je označeno statusnim lampicama na alatu (*Slika 5*).

Kada su uslovi okruženja van naznačenog temperaturnog opsega, držite alat i baterije u prostoru sa dobrim uslovima do same upotrebe.

## Skladištenje

Izvadite baterije ili AC adapter iz steznog alata. Stezni alat i bateriju odložite u kutiju. Izbegavajte čuvanje alata na ekstremnoj toploti ili hladnoći. Alat se neće UKLJUČITI ako se nalazi izvan naznačenog raspona. Ovo će biti prikazano statusnim lampicama na alatu. (*Pogledajte sliku 5*)

**⚠ UPOZORENJE** Alat čuvajte na suvom, obezbeđenom, zaključanom mestu koje je van domašaja dece i osoba koje nisu upoznate sa steznim alatom. Alat je opasan u rukama neobučanih korisnika.

## Uputstva za održavanje

### ⚠ UPOZORENJE

**Vodite računa da alat bude ISKLJUČEN i da su baterija ili AC adapter izvađeni iz alata pre sprovođenja održavanja ili bilo kakvog podešavanja.**

### Čišćenje i podmazivanje

1. Svakodnevno čistite alat čistom suvom krpom.
2. Proverite klin za montažu nastavka i podmažite ga sa silikonskim mazivom, ako je potrebno.
3. Kod svake upotrebe proverite povratne opruge u nastavcima. Nastavci moraju da se slobodno otvaraju i zatvaraju uz samo blagi napor prstiju.

## Servisiranje i popravke

### ⚠ UPOZORENJE

**Neodgovarajuće servisiranje ili popravak može učiniti alat opasnim za rad.**

Servis i popravku steznih alata RP 350 i RP 351 mora izvršiti RIDGID nezavisni servisni centar za stezne alate.

Za informacije o najbližem RIDGID ovlašćenom nezavisnom servisnom centru ili u vezi pitanja o servisu i popravci, pogledajte poglavlje *Kontaktne informacije* u ovom uputstvu.

## Lociranje i uklanjanje kvarova

SIMPTOM	MOGUĆI RAZLOZI	REŠENJE
<b>Alat se ne UKLJUČUJE kada se pritisne dugme za UKLJUČENJE/ ISKLJUČENJE.</b>	Baterija je potpuno prazna ili nije ispravna.	Stavite potpuno napunjenu bateriju/ napunite bateriju.
	Baterija nije pravilno stavljena u dršku alata	Proverite da li je baterija stavljena do kraja.
	AC adapter nije pravilno umetnut u alat.	Pravilno umetnite AC adapter u alat.
<b>Nastavak se zaključao oko priključka.</b>	Presovani spoj nije uspešno završen.	Pritisnite dugme za otpuštanje pritiska kako biste uklonili čeljusti sa priključka. Proverite i ponovo presujte priključak.
<b>Izrađeni priključci nisu potpuni.</b>	Upotrebljene pogrešne čeljusti za veličinu ili materijal cevi.	Postavite odgovarajući nastavak.
	Alat nije bio postavljen pod pravim uglom u odnosu na cev.	Ponovite izradu presovanog spoja uz novi priključak i novu cev. Vodite računa da alat bude postavljen pod pravim uglom u odnosu na cev.
	Ocrt stezanja na nastavku nije poravnat sa ocrtom na priključku.	Ponovite izradu spoja uz novi priključak i novu cev. Vodite računa da ocrt stezanja bude poravnat sa ocrtom na priključku.
	Potrebno je popraviti alat.	Odnosite u servis.
<b>Iz alata curi ulje.</b>	Zaptivač ili mehanički problemi.	
<b>Motor radi ali alat ne izvršava radni ciklus.</b>	Nizak nivo ulja.	Odnosite u servis.
<b>Alat se zaustavlja u toku rada.</b>	Nizak nivo ulja.	

**Pogledajte sliku 5 – Statusne lampice alata**

## Opcionalna oprema

### ⚠ UPOZORENJE

**Da biste smanjili opasnost od teške povrede, koristite isključivo opremu koja je konstruisana i preporučena za rad sa steznim alatima RP 350 i RP 351, kao što je ona prikazana ispod.**

### Baterije i adapteri

Kataloški br.	Opis
56513	Litijum jonska baterija RB-1825 18V 2,5 Ah
56518	Litijum jonska baterija B-1850 18V 5,0 Ah
44468	Adapter napajanja 120 AC – Severna Amerika
43338	Adapter napajanja 220 AC– Evropa
44823	Adapter napajanja 120 AC– Kina

### Punjači i kablovi

Kataloški br.		Oblast	Tip utikača
64383	Punjač RBC-30	Severna Amerika	A
56523	Punjač RBC-30	Evropa	C
64388	Punjač RBC-30	Kina	A
64393	Punjač RBC-30	Australija	I
64378	Punjač RBC-30	Japan	A
64398	Punjač RBC-30	Ujedinjeno Kraljevstvo	G
64173	Kabl punjača RBC-30	Severna Amerika	A
64183	Kabl punjača RBC-30	Evropa	C

Za kompletan spisak raspoložive RIDGID opreme za ove alate, pogledajte onlajn Ridge Tool katalog na RIDGID.com ili pogledajte *Kontaktne informacije*.

## Odstranjevanje

Delovi ovih alata sadrže vredne materijale i mogu se reciklirati. Pronađite lokalne firme koje se bave reciklažom. Odstranite sastavne delove u skladu sa svim primenjivim zakonskim propisima. Kontaktirajte lokalnu instituciju za upravljanje otpadom za više informacija.



**Za države EU:** Nemojte odlagati električnu opremu sa otpadom iz domaćinstva!

U skladu sa Evropskom smernicom 2012/-19/EU o otpadnoj električnoj i elektronskoj opremi i njenoj primeni u lokalnom zakonodavstvu, električna oprema koja se više ne može upotrebiti, mora se odvojeno sakupiti i odložiti na odgovarajući ekološki način.

## Elektromagnetna kompatibilnost (EMC)

Pojam elektromagnetna kompatibilnost označava sposobnost proizvoda da lako funkcioniše u okolini u kojoj su prisutna elektromagnetna zračenja i elektrostatička pražnjenja, a da ne stvara elektromagnetne smetnje u drugoj opremi.

**NAPOMENA** Ovi alati su usklađeni sa važećim EMC standardima. Međutim, njihovo ometanje drugih uređaja se ne može isključiti. Svi testirani EMC standardi se navode u tehničkoj dokumentaciji alata.

## FCC/ICES izjava

Ovaj uređaj je u skladu sa Delom 15, FCC pravila. Rad zahteva sledeća dva uslova:

1. Ovaj uređaj možda neće prouzrokovati štetne smetnje.
2. Ovaj uređaj mora biti otporan na sve primljene smetnje, uključujući smetnje koje mogu prouzrokovati neželjen rad.

Modifikacije koje ova kompanija nije izričito odobrila, mogu dovesti do gubitka ovlašćenja za rad sa ovom opremom.

Ova oprema je testirana i utvrđeno je da odgovara limitima digitalnih uređaja klase A, saglasno delu 15, FCC pravila. Ovi limiti su kreirani da bi pružili razumnu zaštitu od štetnih smetnji kada oprema radi u poslovnom okruženju. Ova oprema stvara, koristi i može da emituje energiju radio frekvencije i ako nije ugrađena i korišćena u skladu sa uputstvom, može izazvati štetne smetnje na radio komunikacijama. Rad ove opreme u stambenim oblastima će verovatno prouzrokovati štetne smetnje i u tom slučaju će se od korisnika zahtevati da ispravi smetnje o svom trošku.

Ovaj proizvod je usklađen sa kanadskim ICES-003 karakteristikama za uređaje klase A. *Pogledajte nalepnicu deklaracije na alatu.*

# RP 350/RP 351

## Пресс-инструменты



### **⚠ ВНИМАНИЕ!**

Перед началом эксплуатации прибора внимательно прочитайте данное Руководство по эксплуатации. Непонимание и несоблюдение содержания данного руководства может привести к поражению электрическим током, пожару и/или серьезной травме.

#### Пресс-инструменты RP 350/RP 351

Запишите ниже серийный номер и сохраните серийный номер, указанный на фирменной табличке.

Серийный №

--



## Содержание

<b>Бланк для регистрации серийного номера машины</b> .....	321
<b>Знаки безопасности/символы</b> .....	323
<b>Основные предупреждения по безопасному использованию электроинструмента</b> .....	323
Безопасность в рабочей зоне.....	323
Электробезопасность.....	324
Личная безопасность.....	324
Использование электроинструмента и уход за ним.....	324
Использование инструмента с питанием от аккумулятора и уход за ним.....	325
Обслуживание.....	325
<b>Информация по технике безопасности при работе с данным инструментом</b> .....	326
Меры предосторожности при использовании пресс-инструмента.....	326
<b>Контактная информация RIDGID®</b> .....	326
<b>Описание</b> .....	326
<b>Технические характеристики</b> .....	330
Стандартные принадлежности.....	330
<b>Предэксплуатационный осмотр</b> .....	330
<b>Подготовка к работе и эксплуатация инструмента</b> .....	331
Снятие/установка насадки.....	331
Подготовка соединения.....	332
Обжатие фитинга с использованием обычных пресс-клещей ножничного типа.....	332
Обжатие фитинга с использованием типовой рабочей насадки и комплекта обжимных колец.....	333
Проверка пресс-соединения.....	334
Функции Bluetooth (беспроводная передача данных).....	334
Эксплуатация в холодных погодных условиях.....	335
<b>Хранение</b> .....	335
<b>Инструкция по техническому обслуживанию</b> .....	335
Чистка и смазка.....	335
<b>Обслуживание и ремонт</b> .....	335
<b>Поиск и устранение неисправностей</b> .....	336
<b>Дополнительные принадлежности</b> .....	337
<b>Утилизация</b> .....	337
<b>Электромагнитная совместимость (ЭМС)</b> .....	337
<b>Заявление Федеральной комиссии по связи США/Международного центра устойчивого энергетического развития</b> .....	338
<b>Декларация соответствия CE</b> .....	Внутренняя сторона задней обложки
<b>Пожизненная гарантия</b> .....	Задняя обложка

\*Перевод исходных инструкций

## Знаки безопасности/символы

В данном руководстве по эксплуатации и на продукте обозначения техники безопасности и сигнальные слова используются для сообщения важной информации по безопасности. В данном разделе приведено пояснение значения этих сигнальных слов и обозначений.



Это обозначение опасности. Оно используется, чтобы предупредить вас о потенциальной опасности получить травму. Соблюдайте требования всех сообщений по технике безопасности, которые следуют за данным знаком, чтобы избежать возможных травм или летального исхода.

### **⚠ ОПАСНОСТЬ**

ОПАСНОСТЬ указывает на опасную ситуацию, которая, если ее не избежать, приведет к летальному исходу или к серьезной травме.

### **⚠ ВНИМАНИЕ**

ВНИМАНИЕ указывает на опасную ситуацию, которая, если ее не избежать, может привести к летальному исходу или к серьезной травме.

### **⚠ ОСТОРОЖНО**

ОСТОРОЖНО указывает на опасную ситуацию, которая, если ее не избежать, может привести к незначительной травме или к травме средней тяжести.

### **ПРЕДУПРЕЖДЕНИЕ**

ПРЕДУПРЕЖДЕНИЕ указывает на информацию, относящуюся к защите имущества.



Этот символ означает "внимательно прочитайте руководство по эксплуатации перед использованием оборудования". Руководство по эксплуатации содержит важную информацию по безопасной и правильной работе с оборудованием.



Этот символ означает "всегда надевайте защитные очки с боковыми щитками или закрытые защитные очки при транспортировке или эксплуатации этого оборудования, чтобы снизить риск повреждения глаз".



Данный символ обозначает опасность дробления рук, пальцев или других частей тела.



Этот символ указывает на опасность поражения электрическим током.



Этот символ указывает, что данное изделие предназначено только для эксплуатации в помещениях.



Этот символ указывает, что данное изделие является оборудованием Класса II.



Этот символ означает, что данное электрооборудование запрещается утилизировать вместе с бытовыми отходами. См. раздел "Утилизация".



Этот символ указывает на то, что это электрооборудование соответствует требованиям применимых директив ЕС.



Этот символ обозначает год изготовления продукта.

## Основные предупреждения по безопасному использованию электроинструмента\*

### **⚠ ВНИМАНИЕ**

**Прочтите все предупреждения по безопасному использованию, изучите инструкции, иллюстрации и технические характеристики, предоставляемые с этим электроинструментом. Несоблюдение всех перечисленных ниже инструкций может привести к поражению электрическим током, пожару и/или серьезной травме.**

### **СОХРАНИТЕ ВСЕ ПРЕДУПРЕЖДЕНИЯ И ИНСТРУКЦИИ ДЛЯ ПОСЛЕДУЮЩЕГО ИСПОЛЬЗОВАНИЯ!**

Используемый в предупреждениях термин "электроинструмент" относится к электроинструментам с питанием

от сети (со шнуром питания) и от аккумулятора (без шнура питания).

### Безопасность в рабочей зоне

- **Рабочая зона должна быть расчищена и хорошо освещена.** Несчастные случаи происходят, как правило, в загроможденных и слабоосвещенных зонах.
- **Запрещается использовать электроинструменты во взрывоопасных средах, то есть при наличии горючих жидкостей, газов или пыли.** Электроинструмент создает искры, которые могут привести к воспламенению пыли или газов.
- **Не допускается присутствие детей и посторонних лиц во время работы с электроинструментом.** Отвлечение внимания может привести оператора к потере управления инструментом.

\* Текст, приведенный в разделе "Основные предупреждения по безопасному использованию электроинструмента" в данном руководстве, извлечен дословно, как требуется, из действующего стандарта UL/CSA 62841-1. В этом разделе содержатся общие правила техники безопасности для различных видов электроинструментов. Не все меры предосторожности распространяются на все электроинструменты, к данному электроинструменту применяются не все меры предосторожности.

## Электробезопасность

- **Вилки на шнурах питания электроинструмента должны подходить к сетевым розеткам. Запрещается какое-либо изменение конструкции вилки. Запрещается использование любых переходных вилок для электроинструмента с заземлением (заземленного).** Использование немодифицированных вилок и соответствующих розеток снижает опасность поражения током.
- **Не прикасайтесь к заземленным или замкнутым на землю поверхностям, например, к трубам, радиаторам, кухонным печам и холодильникам.** Если тело человека заземлено или замкнуто на землю, опасность поражения электротоком повышается.
- **Запрещается подвергать электроинструмент воздействию дождя или влаги.** Проникновение воды внутрь электроинструмента увеличивает опасность поражения электрическим током.
- **Обращайтесь со шнуром электропитания надлежащим образом. Запрещается использовать шнур питания для переноски или передвижения инструмента, а также для отключения его от электросети. Оберегайте шнур от воздействия тепла, смазочных материалов, острых краев и движущихся деталей устройств.** Использование поврежденных или запутанных шнуров повышают опасность поражения электрическим током.
- **При эксплуатации электроинструмента вне помещения используйте соответствующий удлинитель.** Применение шнура электропитания, предназначенного для эксплуатации вне помещений, снижает опасность поражения электрическим током.
- **Если приходится применять электроинструмент во влажном месте, используйте источник электропитания, оборудованный устройством защитного отключения (УЗО).** Использование УЗО снижает опасность поражения электрическим током.

## Личная безопасность

- **Будьте внимательны, контролируйте выполняемые действия и пользуйтесь здравым смыслом при работе с электроинструментом. Запрещается эксплуатировать электроинструмент, находясь в состоянии усталости или под действием наркотиков, алкоголя или лекарственных препаратов.** Даже секундная потеря концентрации при работе с электроинструментами может привести к серьезным травмам.

- **Используйте индивидуальные средства защиты. Всегда надевайте защитные очки.** Использование в соответствующих условиях пылезащитной маски, ботинок с нескользящими подошвами, каски, берушей или других защитных средств снижает травмоопасность.
- **Не допускайте непреднамеренного запуска электроинструмента. Прежде чем брать электроинструмент в руки, переносить его или подключать к источнику постоянного и (или) батарейного питания, удостоверьтесь, что переключатель находится в положении ВЫКЛ.** Переноска электроинструментов с пальцем на переключателе или подзарядка инструмента с переключателем в положении ВКЛ может привести к несчастному случаю.
- **Перед включением электроинструмента следует убрать любые гаечные ключи.** Регулировочный или гаечный ключ, оставленный присоединенным к вращающейся детали, может привести к травме.
- **Не пытайтесь дотянуться. Всегда сохраняйте устойчивое положение и равновесие.** Это обеспечивает более уверенное управление электроинструментом в непредсказуемых ситуациях.
- **Надевайте подходящую одежду. Не надевайте свободную одежду или украшения. Оберегайте волосы, одежду и перчатки от движущихся частей.** Свободная одежда, украшения или длинные волосы могут попасть в движущиеся части.
- **Если в устройствах предусмотрено подключение к пылесборникам и пылесборникам, проследите за тем, чтобы они были подсоединены и использовались правильно.** Использование пылесборников снижает риски, связанные с пылью.
- **Не допускайте состояния расслабленности и пренебрежения правилами безопасности, которые могут возникнуть при постоянном использовании инструмента.** Неосторожное действие может за долю секунды причинить серьезную травму.

## Использование электроинструмента и уход за ним

- **Не перегружайте электроинструмент. Используйте соответствующий инструмент для каждого вида работы.** Правильный выбор электроинструмента в соответствии с его предназначением обеспечивает более качественное, безопасное и быстрое выполнение работы.
- **Не используйте электроинструмент с неисправным выключателем.** Электроинструмент, который нельзя включить или выключить, представляет опасность и подлежит ремонту.

- **Отсоедините вилку от источника питания и/или снимите аккумуляторную батарею с электроинструмента, прежде чем производить какие-либо регулировки, замену принадлежностей или убрать инструмент на хранение.** Такие профилактические меры уменьшают риск непреднамеренного включения электроинструмента.
- **Храните неиспользуемые электроинструменты вдали от детей. Не допускайте использования электроинструмента лицами, не работавшими ранее с инструментом и не ознакомленными с данными инструкциями.** Электроинструменты представляют опасность в руках неквалифицированных пользователей.
- **Выполняйте надлежащее техническое обслуживание электроинструмента. Следите за тем, чтобы движущиеся части были отрегулированы и закреплены. Устраняйте поломки деталей или любые другие факторы, которые могут отрицательно повлиять на работу инструмента. В случае выхода электроинструмента из строя его необходимо отремонтировать до начала работы.** Многие несчастные случаи происходят вследствие применения электроинструментов, не прошедших надлежащего техобслуживания.
- **Следите за тем, чтобы режущие насадки были острыми и чистыми.** Режущий инструмент с острыми режущими кромками, за которым ведется надлежащий уход, режет заедает и более удобен в работе.
- **Используйте электроинструменты, принадлежности, рабочие наконечники и пр. в соответствии с настоящими инструкциями, принимая во внимание условия и цели эксплуатации.** Использование электроинструмента не по назначению может стать причиной опасной ситуации.
- **Следите за тем, чтобы ручки и хватные поверхности были сухими и чистыми; не допускайте попадания на них масла или смазки.** Скользкие ручки и хватные поверхности препятствуют безопасному обращению и управлению инструментом в непредвиденных ситуациях.
- **Используйте электроинструменты только с соответствующими аккумуляторами.** Использование любых других аккумуляторов может создать опасность травмирования или пожара.
- **Неиспользуемый аккумулятор храните в стороне от металлических предметов, таких как скрепки для бумаг, монеты, ключи, гвозди, винты и другие мелкие металлические предметы, которые могут соединить накоротко клеммы аккумулятора.** Короткое замыкание клемм аккумулятора может явиться причиной ожога или пожара.
- **В случае нарушения правил эксплуатации из аккумулятора может вытекать жидкий электролит; не допускайте контакта с электролитом. При случайном попадании электролита на кожу смойте его водой. При попадании электролита в глаза промойте их водой и обратитесь к врачу.** Вытекающий из аккумулятора жидкий электролит может вызвать раздражение или ожог.
- **Не используйте поврежденный или видоизмененный аккумулятор или инструмент.** Поврежденные или видоизмененные аккумуляторы могут вести себя непредсказуемо, в результате чего возможно возгорание, взрыв или риск получения травмы.
- **Запрещается подвергать аккумулятор или инструмент воздействию огня или повышенной температуры.** Воздействие огня или температуры свыше 265 °F (130 °C) может вызвать взрыв.
- **Соблюдайте все инструкции по зарядке, не заряжайте аккумулятор или инструмент при температуре, выходящей за пределы температурного диапазона, указанного в инструкции.** Зарядка ненадлежащим образом или при температуре, выходящей за пределы указанного диапазона, может повредить аккумулятор, что повысит опасность пожара.

## Обслуживание

- **Ремонт электроинструмента следует поручать квалифицированному персоналу и на замену использовать только идентичные запчасти.** Только таким образом гарантируется безопасность при использовании электроинструмента.

## Использование инструмента с питанием от аккумулятора и уход за ним

- **Заряжайте аккумуляторы только с помощью зарядного устройства, указанного изготовителем.** Зарядное устройство, подходящее для аккумуляторов одного типа, может быть пожароопасным при зарядке аккумуляторов другого типа.

## Информация по технике безопасности при работе с данным инструментом

### ⚠ ВНИМАНИЕ

В данном разделе содержится важная информация о безопасности, имеющая отношение именно к данному инструменту.

**Чтобы снизить опасность поражения электрическим током или другой тяжелой травмы, внимательно ознакомьтесь с указанными мерами предосторожности, прежде чем использовать пресс-инструменты.**

### СОХРАНИТЕ ВСЕ ПРЕДУПРЕЖДЕНИЯ И ИНСТРУКЦИИ ДЛЯ ПОСЛЕДУЮЩЕГО ИСПОЛЬЗОВАНИЯ!

В кейсе для переноски инструмента предусмотрено отделение для хранения инструкции, чтобы оператор всегда мог ей воспользоваться.

### Меры предосторожности при использовании пресс-инструмента

- **Держите пальцы и руки подальше от пресс-насадок во время цикла обжима.** Ваши пальцы или руки могут быть раздавлены, раздроблены или ампутированы, если они будут захвачены между насадкой или данным предметами и любыми другими деталями.
- **Запрещается ремонтировать поврежденные пресс-насадки (пресс-клещи, обжимное кольцо, рабочую насадку и т.д.). Утилизируйте всю поврежденную насадку.** Насадка, которая было заварена, отшлифована, просверлена или изменена каким-либо образом, может расколоться во время обжатия, что приведет к серьезной травме. Если не произвести замену всей обжимной насадки, это может привести к выходу из строя компонентов и серьезным травмам.
- **В процессе использования данного инструмента создаются большие силы, которые могут привести к поломке или разбросу деталей и причинить травму.** Стойте на расстоянии от инструмента во время его использования и носите соответствующие средства защиты, включая средства защиты глаз.
- **Используйте только пресс-инструмент RIDGID® с соответствующими обжимными насадками RIDGID или одобренными фирмой RIDGID (пресс-клещи, обжимные кольца, рабочие насадки и т.д.).** Иное использование или внесение изменений в пресс-инструмент с целью иного применения может привести к повреждению пресс-инструмента, принадлежности и/или травматизму.

- **Используйте подходящие комбинации инструмента, насадок и фитингов.** Неправильные комбинации могут привести к неполному соединению, что повышает риск утечек, повреждения оборудования и травматизма.

- **Перед тем, как приступить к использованию пресс-инструмента RIDGID®, прочтите и изучите следующее:**

- Настоящее руководство по эксплуатации
- Инструкции по использованию насадок
- Руководство по использованию аккумулятора/зарядного устройства
- Инструкции изготовителя по установке фитинга
- Инструкции на любое другое оборудование или материал, используемые с этим инструментом

Несоблюдение всех инструкций и предупреждений может привести к повреждению имущества и/или к серьезной травме.

## Контактная информация RIDGID®

Если у вас возникли вопросы, касающиеся данного изделия RIDGID®:

- Обратитесь к местному дистрибьютору RIDGID.
- Чтобы найти контактный телефон местного дистрибьютора RIDGID, войдите на сайт RIDGID.com.
- Обратитесь в отдел технического обслуживания компании Ridge Tool по адресу [rtctechservices@emerson.com](mailto:rtctechservices@emerson.com), в США и Канаде можно также позвонить по номеру (800) 519-3456.

## Описание

Пресс-инструменты RIDGID® моделей RP 350 и RP 351, используемые с надлежащими насадками, предназначены для механического обжима фитингов на трубах для создания неразъемных водонепроницаемых уплотнений, например, в водопроводах, системах отопления, кондиционирования и охлаждения. Насадки доступны также для других пользователей.

Когда происходит нажатие пусковой кнопки на пресс-инструменте, внутренний электродвигатель приводит в действие гидравлический насос, который подает жидкость в цилиндр инструмента, перемещая плунжер вперед и прикладывая усилие к насадке, которая запрессовывает фитинг. Цикл обжима занимает около 4 секунд. Как только начнется цикл деформирования фитинга, он автоматически продолжится до своего завершения, даже если пусковая кнопка будет отпущена.



Инструмент включает в себя второй режим эксплуатации ("Режим управления"), который может быть включен с помощью приложения RIDGID Link. Режим управления позволяет фитингу быть введен до обжатия, делая возможным подтверждение правильного выравнивания насадки, фитинга и трубы.

Индикаторы состояния инструмента отображают такие параметры, как состояние инструмента, состояние аккумулятора, необходимость технического обслуживания или несоответствующая температура. Рабочий фонарь включается при нажатии пусковой кнопки с целью подсветки рабочей зоны. Барабан можно вращать на 360° для более удобного доступа в местах с ограниченным пространством.

Инструменты снабжены матерчатыми петлями, которые можно использовать для крепления соответствующих приспособлений, например, плечевых ремней или пристегивающихся страховочных поясов.



**Рис. 1 – Пресс-инструмент RIDGID модели RP 350 и пресс-клещи серии Standard**

Пресс-инструменты оснащены средством беспроводной связи Bluetooth\*\* для подключения к смартфонам и планшетах. См. раздел "Функции Bluetooth (беспроводная передача данных)" для получения более подробной информации.

\* Словесный товарный знак Bluetooth® и логотипы являются зарегистрированными товарными знаками Bluetooth SIG, inc. и любое использование подобных знаков со стороны Emerson Electric Co. осуществляется в соответствии с лицензией. Прочие товарные знаки и торговые наименования принадлежат их соответствующим владельцам.



**Рис. 2 – Пресс-инструмент RIDGID модели RP 351 и пресс-клещи серии Standard**

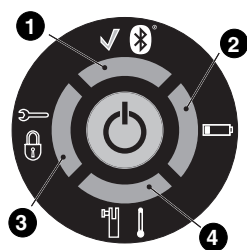
#	Описание	
1	Пресс-клещи ножничного типа	7 Кнопка сброса давления (на задней стороне RP 351)
2	Штифт крепления насадки	8 Рукоятка
3	Индикаторы состояния инструмента	9 Аккумуляторная батарея
4	Кнопка ВКЛ/ВЫКЛ	10 Пусковая кнопка
5	Предупреждающая наклейка (на нижней стороне RP 351)	11 Светодиодный рабочий фонарь
6	Матерчатая петля	12 Боковая панель пресс-клещей



**Рис. 3 - Серийный номер машины - Цифры в кружке обозначают год и месяц изготовления. (YY = год, MM = месяц).**

Орган управления	Обозначение	Описание
Кнопка Вкл/Выкл		Главный выключатель питания инструмента. (I = ВКЛ, O = ВЫКЛ). ВКЛ: нажмите кнопку, пока не загорится индикатор. <i>См. рис. 5 – Индикаторы состояния инструмента.</i> ВЫКЛ: нажмите кнопку, пока не погаснет индикатор. Инструмент автоматически выключается в случае неиспользования в течение десяти (10) минут.
Пусковая кнопка	—	<b>Включение рабочего фонаря:</b> слегка нажмите пусковую кнопку. <b>Обычный режим:</b> нажмите пусковую кнопку, чтобы запустить цикл обжима, отпустите после блокировки инструмента. Обычный режим является заводской установкой. <b>Режим управления:</b> нажмите пусковую кнопку, чтобы выдвинуть насадку на заготовку. Выполните необходимые регулировки. Еще раз нажмите пусковую кнопку, чтобы запустить цикл обжима, отпустите после блокировки инструмента. После включения блокировки отпускание кнопки не вызовет остановку инструмента. Это обеспечивает стабильное повторяемое формирование прочного и плотного пресс-соединения. Режим можно изменить с помощью приложения RIDGID Link, <i>см. раздел Функции Bluetooth.</i>
Кнопка сброса давления		Позволяет отпустить инструмент без выполнения обжима. В случае использования пресс-соединение не выполняется и его необходимо повторить.
Штифт крепления насадки	—	Обеспечивает крепление насадки на инструменте. Для функционирования инструмента должен быть полностью вставлен. <i>См. Рис. 6.</i>



Рис. 4 – Органы управления



Номер сегмента индикатора (индикатор постоянно включен)				Описание
1 ✓ Bluetooth	2 🔋	3 🔒	4 📶	
—	—	—	—	Пресс-инструмент выключен (ВЫКЛ).
Зеленый	Зеленый	Зеленый	Зеленый	Нажата кнопка ВКЛ, загорается на 4 секунды при запуске, инструмент в "Обычном режиме".
Синий	Синий	Синий	Синий	Нажата кнопка ВКЛ, загорается на 4 секунды при запуске, инструмент в "Режиме управления" - см. раздел <i>Функции Bluetooth</i> для переключения режима.
Зеленый	—	—	—	Пресс-инструмент в Нормальном режиме, режим ожидания, пресс-инструмент готов к эксплуатации.
Красный	Желтый	Желтый	Желтый	Нарушение нормальной работы инструмента. Инструмент не будет работать. Извлеките и повторно вставьте аккумулятор или переходник переменного тока. Если индикатор продолжает гореть, обратитесь в сервисный центр для ремонта инструмента.
Красный	—	—	—	Нарушение нормальной работы инструмента. Инструмент не будет работать. Извлеките и повторно вставьте аккумулятор или переходник переменного тока. Если красный индикатор продолжает гореть, обратитесь в сервисный центр для ремонта инструмента.
Желтый	—	Красный	Красный	Температура инструмента и/или аккумулятора выходит за пределы диапазона, указанного в технических характеристиках. Инструмент не будет работать. Доведите температуру инструмента и аккумулятора до нормального рабочего диапазона.
Желтый	—	—	Красный	Штифт крепления насадки не вставлен полностью. Инструмент не будет работать. Полностью вставьте штифт. Если индикаторы продолжают гореть, обратитесь в сервисный центр для ремонта инструмента.
Желтый	Красный	—	—	Аккумулятор разряжен. Инструмент не будет работать. Зарядите аккумулятор/вставьте полностью заряженный аккумулятор.
Зеленый	Синий	Синий	Синий	Соединение Bluetooth установлено, режим ожидания, пресс-инструмент готов к эксплуатации - Дополнительную информацию см. в разделе <i>Функции Bluetooth</i> .
		Пурпурный		Выполняется обновление микропрограммного обеспечения; использование инструмента во время обновления невозможно.

Рис. 5 – Индикаторы состояния инструмента

## Технические характеристики

	Пресс-инструмент RP 350 в форме пистолета	Пресс-инструмент RP 351 линейной формы
Насадки .....	RIDGID серии Standard	RIDGID серии Standard
Рабочий ход .....	1.57" (40 мм)	1.57" (40 мм)
Электродвигатель		
Напряжение .....	расчетное 18 В пост. тока	расчетное 18 В пост. тока
Ток .....	23 А	23 А
Мощность .....	480 Вт	480 Вт
Усилие плунжера .....	7,200 фунтов (32 кН)	7,200 фунтов (32 кН)
Вращение барабана .....	360°	360°
Рабочий цикл .....	3 обжатия  /мин	3 обжатия  /мин
Источник питания .....	Ионно-литиевый аккумулятор 18 В RIDGID серии RB-18XX или адаптер для питания от сети переменного тока 120/220 RIDGID RPA (См. раздел <i>Дополнительные принадлежности</i> )	
Дальность действия Bluetooth .....	33 фута (10 м)	33 фута (10 м)
Допустимая влажность .....	не более 80%	не более 80%
Диапазон рабочих температур .....	от 15 °F до 122 °F (от -10 °C до 50 °C)	от 15 °F до 122 °F (от -10 °C до 50 °C)
Температура хранения .....	от 32 °F до 113 °F (от -0 °C до 45 °C)	от 32 °F до 113 °F (от -0 °C до 45 °C)
Вес (без аккумулятора/насадки) .....	7,83 фунта (3,55 кг)	7,83 фунта (3,55 кг)
Размеры .....	11.3" x 11.0" x 3.1" 287 мм x 279 мм x 77 мм	15.7" x 4.65" x 3.1" 398 мм x 118 мм x 77 мм
Звуковое давление (L <sub>РА</sub> )* .....	<74,5 дБ (А), К=3 дБ (А)	<74,5 дБ (А), К=3 дБ (А)
Вибрация* .....	<1,13 м/с <sup>2</sup> , К=1,5	<1,13 м/с <sup>2</sup> , К=1,5

\* Измерения уровней звука и вибрации выполняются в соответствии со стандартизованным тестом согласно стандарту EN 62481-1.

- Уровни вибрации могут быть использованы для сравнения с другими инструментами и предварительной оценки воздействия.

- Уровни производимых шумов и вибрации могут изменяться в зависимости от вашего местоположения и конкретного использования этих инструментов.

- Ежедневные уровни экспозиции шумам и вибрации следует оценивать для каждого конкретного применения и при необходимости принимать соответствующие меры безопасности. В оценке уровней экспозиции следует учитывать время, в течение которого инструмент выключен и не используется. Это может значительно снизить уровень экспозиции в течение всего рабочего периода.

## Стандартные принадлежности

Информацию о поставляемых принадлежностях с указанием конкретных каталожных номеров инструментов см. в каталоге RIDGID.

ПРИМЕЧАНИЕ. Насадки пресс-инструмента RIDGID предлагаются в виде двух "серий"

- Серии Standard
- Серии Compact

Данные серии насадок не являются взаимозаменяемыми. Насадки серии Standard будут работать только с инструментами серии Standard (RP 350, RP 351, RP 342-XL, RP 340, RP 330, 320-E, CT-400). Насадки серии Compact будут работать только с инструментами серии Compact (RP 240, RP 241, RP 200, RP 210, 100B).

**ПРЕДУПРЕЖДЕНИЕ** Ответственность за выбор соответствующих материалов и способов соединения несет инженер-конструктор и/или монтажник системы. Перед началом установки следует тщательно проанализировать конкретные условия обслуживания, включая химическую среду и рабочую температуру. За информацией по выбору обратитесь к изготовителю системы пресс-фитинга.

## Предэксплуатационный осмотр

### ВНИМАНИЕ



**Ежедневно перед использованием осматривайте пресс-инструмент и устраняйте малейшие неисправности, чтобы снизить**

**риск серьезной травмы в результате поражения электротоком, заземления, неисправности насадки и других причин, а также чтобы предотвратить повреждение инструмента.**

1. Выключите инструмент и снимите аккумулятор/переходник переменного тока с инструмента.
2. Очистите с электроинструмента масло, смазку и грязь, особенно с рукояток и органов управления. Это облегчает осмотр и помогает предотвратить выскальзывание инструмента или органов управления из рук.
3. Проверьте пресс-инструмент по следующим позициям:
  - Правильность сборки, техническое состояние и комплектацию.

- Отсутствие поломанных, изношенных, потерянных, неотцентрированных или заедающих деталей. Убедитесь в том, что матерчатые петли находятся в исправном состоянии.
- Плавное перемещение штифта крепления насадки между полностью открытым и полностью закрытым положением. Штифт должен фиксировать в каждом положении. Проверьте свободное перемещение и отсутствие заедания или залипания пусковой кнопки.
- Наличие и разборчивость предупреждающей наклейки (см. рис. 6).
- Отсутствие любых других условий, которые могут воспрепятствовать безопасной и нормальной эксплуатации.

Запрещается использовать пресс-инструмент, пока не будут устранены неисправности.



Рис. 6 - Индикаторы состояния/Предупреждающая наклейка

4. Проверяйте и выполняйте техобслуживание насадок для инструмента согласно их инструкциям. Снимите насадку с инструмента. Убедитесь в том, что насадки находятся в хорошем состоянии и четко промаркированы в отношении применения.
5. Осматривайте и выполняйте обслуживание используемого дополнительного оборудования согласно инструкциям, чтобы обеспечить его надлежащее функционирование.

## Подготовка к работе и эксплуатация инструмента

### ⚠ ВНИМАНИЕ



Держите пальцы и руки подальше от насадки для инструмента во время цикла обжима. Ваши пальцы или руки могут быть раздавлены, раздроблены или ампутированы

при попадании в насадку, инструмент, между инструментом и насадкой, заготовкой и другими деталями.

В процессе использования данного инструмента создаются большие силы, которые могут привести к поломке или разбросу деталей и причинить травму. Стойте на расстоянии от инструмента во время его использования и носите соответствующие средства защиты, включая средства защиты глаз.

Для каждого соединения используйте надлежащую комбинацию инструмента, насадки и фитинга. Неправильно подобранная комбинация может стать причиной дефектного пресс-соединения, что повышает опасность возникновения течей, травмирования и повреждения оборудования.

Чтобы уменьшить опасность травмирования в результате защемления и других причин, а также предотвратить повреждение инструмента, соблюдайте *Подготовку к работе и Эксплуатацию*.

1. Проверьте, что рабочая зона отвечает необходимым требованиям (см. Основные предупреждения по безопасному использованию электроинструмента). Рабочее место должно быть чистым, ровным, устойчивым и сухим. Запрещается использовать инструмент, стоя в воде.
2. Изучите работу, которую необходимо выполнить, и определите надлежащий инструмент RIDGID и насадку RIDGID для данного применения в соответствии с их техническими характеристиками. Использование неподходящего оборудования может стать причиной травмы, повреждения инструмента и выполнения дефектных соединений.
3. Обязательно проверьте все оборудование и подготовьте его к работе, как указано в инструкциях.

### Снятие/установка насадки

1. Выключите инструмент и снимите аккумулятор/переходник переменного тока с инструмента.
2. Полностью выдвиньте штифт крепления насадки. Снимите/вставьте соответствующую насадку (рис. 7).
3. До упора задвиньте штифт крепления насадки, пока он не зафиксируется в закрытом положении. Штифт крепления насадки должен быть полностью задвинут во избежание повреждения инструмента во время эксплуатации. Для индикации загораются индикаторы инструмента, см. рис. 5 для Индикаторов состояния инструмента.

ПРИМЕЧАНИЕ. Не пользуйтесь инструментом без установленной насадки, это может привести к повреждению инструмента.





Рис. 7 – Штифт крепления насадки

### Подготовка соединения

**ПРЕДУПРЕЖДЕНИЕ** Данные инструкции представляют собой обобщенные правила для нескольких типов насадок пресс-инструмента. Всегда соблюдайте конкретные инструкции для используемой насадки пресс-инструмента, а также инструкции по установке изготовителя фитинга, чтобы снизить риск неправильного пресс-соединения и значительного повреждения имущества.

1. Подготовьте пресс-соединение в соответствии с инструкциями изготовителя фитинга.
2. Сухими руками вставьте в инструмент полностью заряженный аккумулятор или переходник переменного тока. При использовании проводного адаптера источника питания с GFCI, GFCI (RCD) должен иметь остаточный ток в 30 мА или менее. Один раз нажмите кнопку включения/выключения, чтобы включить инструмент. Все светодиоды загорятся зеленым цветом, указывая на готовность инструмента к использованию. См. рис. 5 - Индикаторы состояния инструмента, где показаны другие индикаторы.

### Обжатие фитинга с использованием обычных пресс-клещей ножничного типа

1. Правильно держите инструмент обеими руками.

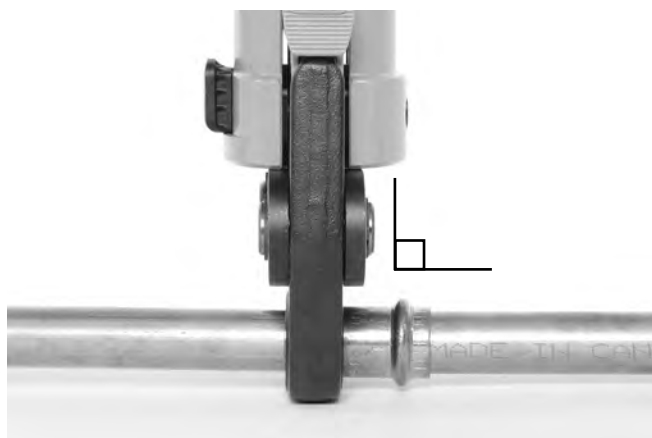


Рис. 8 - Как держать инструмент

2. Раскройте пресс-клещи, сжав ножки.
3. Расположите раскрытые пресс-клещи вокруг фитинга (рис. 9). Тщательно совместите профиль обжимной профиль клещей с контуром фитинга, как указано в инструкциях изготовителя по установке фитинга. Отпустите ножки пресс-клещей, чтобы клещи сомкнулись вокруг фитинга. Не допускайте свисания пресс-клещей с фитинга. Инструмент может неожиданно упасть и стать причиной серьезной травмы или летального исхода.



Рис. 9 – Установка пресс-клещей ножничного типа вокруг фитинга



**Рис. 10 – Пресс-клещи установлены перпендикулярно фитингу**

4. Убедитесь, что пресс-клещи установлены надлежащим образом перпендикулярно фитингу (рис. 10). Оберегайте пальцы и руки от пресс-клещей во избежание их защемления в пресс-клещах или между пресс-клещами и окружающими предметами.

**Обычный режим:** Нажмите пусковую кнопку (рис. 1 и 2). Как только начнется рабочий цикл и ролики коснутся ножек пресс-клещей, включится блокировка и инструмент автоматически завершит цикл. После включения блокировки отпускание кнопки не вызовет остановку инструмента. Это обеспечивает стабильное повторяемое формирование прочного и плотного пресс-соединения.

**Режим управления:** Нажмите пусковую кнопку (рис. 1 и 2). Клещи войдут в фитинг, но пресс-соединение не будет выполнено. Выполните необходимые регулировки. Еще раз нажмите пусковую кнопку, включится блокировка и инструмент автоматически завершит цикл. После включения блокировки отпускание кнопки не вызовет остановку инструмента. Это обеспечивает стабильное повторяемое формирование прочного и плотного пресс-соединения.

Если инструмент необходимо демонтировать до завершения формирования пресс-соединения, нажмите кнопку сброса давления (рис. 1 и 2).

**ПРЕДУПРЕЖДЕНИЕ** При нажатии кнопки сброса давления обжатие НЕ выполняется, и фитинг подлежит повторному обжатию для обеспечения пресс-соединения. В случае нарушения работы инструмента во время выполнения операции используйте эту методику.

5. Отпустите пусковую кнопку.
6. Раскройте пресс-клещи, сжав ножки.
7. Снимите пресс-клещи с фитинга. Остерегайтесь острых кромок, которые могли образоваться на фитинге в процессе обжатия.

8. После завершения операции однократно нажмите кнопку ВКЛ/ВЫКЛ, чтобы выключить инструмент. Извлеките аккумулятор или переходник переменного тока из инструмента.

### **Обжатие фитинга с использованием типовой рабочей насадки и комплекта обжимных колец**

1. Разомкните кольцо и установите его вокруг фитинга. Тщательно совместите профиль обжимного кольца с контуром фитинга, как указано в инструкции изготовителя по установке фитинга. Отпустите кольцо, чтобы сомкнуть его вокруг фитинга (рис. 11).
2. Убедитесь, что в инструмент правильно вставлена соответствующая рабочая насадка. Сожмите ножки рабочей насадки, чтобы раскрыть ее губки. Совместите губки рабочей насадки с пазами на кольце. Отпустите ножки рабочей насадки и полностью введите ножки рабочей насадки в пазы на кольце (рис. 12). Ненадлежащее совмещение губок рабочей насадки с пазом на кольце может привести к повреждению кольца или рабочей насадки в процессе обжатия. Не допускайте свисания инструмента и рабочей насадки с обжимного кольца. Инструмент может неожиданно упасть и стать причиной серьезной травмы или летального исхода.



**Рис. 11 – Установка обжимного кольца на фитинг**



**Рис. 12 – Крепление рабочей насадки на обжимном кольце**

3. Убедитесь, что кольцо установлено надлежащим образом перпендикулярно фитингу. Оберегайте пальцы и руки от рабочей насадки и кольца во избежание их защемления в насадке или между насадкой и окружающими предметами.

**Обычный режим:** Нажмите пусковую кнопку (рис. 1 и 2). Как только начнется рабочий цикл и ролики коснутся ножек пресс-клещей, включится блокировка и инструмент автоматически завершит цикл. После включения блокировки отпускание кнопки не вызовет остановку инструмента. Это обеспечивает стабильное повторяемое формирование прочного и плотного пресс-соединения.

**Режим управления:** Нажмите пусковую кнопку (рис. 1 и 2). Клещи войдут в фитинг, но пресс-соединение не будет выполнено. Выполните необходимые регулировки. Еще раз нажмите пусковую кнопку, включится блокировка и инструмент автоматически завершит цикл. После включения блокировки отпускание кнопки не вызовет остановку инструмента. Это обеспечивает стабильное повторяемое формирование прочного и плотного пресс-соединения.

4. Если инструмент необходимо демонтировать до завершения формирования пресс-соединения, нажмите кнопку сброса давления (рис. 1 и 2).

**ПРЕДУПРЕЖДЕНИЕ** При нажатии кнопки сброса давления обжатие НЕ выполняется, и пресс-соединение подлежит повторному обжатию для его завершения. В случае нарушения работы инструмента во время выполнения операции используйте эту методику.

5. Отпустите пусковую кнопку.
6. Сожмите ножки рабочей насадки, чтобы раскрыть насадку. Снимите насадку с фитинга.
7. Снимите кольцо с фитинга. Остерегайтесь острых кромок, которые могли образоваться на фитинге в процессе обжатия.

8. После завершения операции однократно нажмите кнопку ВКЛ/ВЫКЛ, чтобы выключить инструмент. Извлеките аккумулятор или переходник переменного тока из инструмента.

## Проверка пресс-соединения

1. Проверьте отсутствие следующих дефектов обжатия фитинга:
  - Полная вставка трубы в фитинг.
  - Чрезмерная несоосность труб. Небольшая несоосность на месте пресс-соединения считается нормальной.
  - Неправильное совмещение насадки с контуром фитинга. Искривленный или деформированный фитинг.
  - Какие-либо другие дефекты согласно инструкции изготовителя. Сюда также может входить снятие контрольного кольца или бирки (указывают на то, что обжатие соединения еще не выполнено).

При обнаружении каких-либо дефектов демонтируйте фитинг и установите новое пресс-соединение.
2. Проверьте пресс-соединение, руководствуясь инструкциями изготовителя соединителя, обычной практикой и применимыми нормами.

## Функции Bluetooth (беспроводная передача данных)

Пресс-инструменты RIDGID® моделей RP 350 и RP 351 оснащены средством беспроводной связи Bluetooth®, которое обеспечивает беспроводную передачу данных на соответственно оборудованные смартфоны или планшеты ("устройства"), работающие на базе операционных систем iOS или Android.

1. Загрузите на свое устройство соответствующее приложение RIDGID® Link для этого войдите на сайт по адресу [RIDGID.com/apps](http://RIDGID.com/apps), в Google Play Store или Apple App Store.
2. Когда инструмент ВКЛЮЧЕН, устройство, оборудованное средством беспроводной связи Bluetooth, может найти пресс-инструмент и установить с ним связь. В настройках Bluetooth своего устройства выберите требуемый инструмент RIDGID. Соответствующую информацию о подключении по системе беспроводной связи Bluetooth см. в инструкции на свое устройство. После подключения будут постоянно гореть зеленый-синий-синий-синий индикаторы состояния инструмента.

После первоначального сопряжения большинство устройств будут автоматически подключаться к инструментам, когда устройство беспроводной связи Bluetooth активно и находится в пределах досягаемости, и если в устройстве сделаны соответствующие

шие настройки. Для обнаружения пресс-инструменты должны находиться на расстоянии менее 33 футов (10 м) от устройства. Любое препятствие между инструментом и устройством может уменьшить дальность действия.

3. Следуйте инструкциям приложения для правильного использования. Режим работы можно изменить через приложение. Приложение также позволяет контролировать рабочие циклы инструмента.
4. Беспроводная передача данных отключается при выключении инструмента. Выключайте устройство беспроводной связи Bluetooth для снижения скорости разряда аккумулятора устройства.

### Эксплуатация в холодных погодных условиях

При снижении температуры гидравлическая жидкость загустевает, а эксплуатационные характеристики аккумулятора ухудшаются. Чтобы снизить вероятность неправильного функционирования, инструменты RP 350 и RP 351 не будут работать при температуре, выходящей за пределы заданного диапазона, на что будут указывать индикаторы состояния инструментов (рис. 5).

Если внешние условия выходят за пределы температурного диапазона, указанного в технических характеристиках, храните инструмент и аккумуляторы в кондиционируемом помещении, пока инструмент не будет готов к использованию.

### Хранение

Извлеките аккумулятор или переходник переменного тока из пресс-инструмента. Храните пресс-инструмент и аккумулятор в кейсе. Не допускается хранение в условиях экстремально высокой или низкой температуры. Инструмент не включится, если инструмент находится за пределами диапазона, установленного в спецификации. На это будут указывать индикаторы состояния инструмента. (См. рис. 5)

**⚠ ВНИМАНИЕ** Храните инструмент в сухом, защищенном, запираемом месте, недоступном для детей и людей, не знакомых с работой пресс-инструмента. Данный инструмент представляет опасность в руках неквалифицированных пользователей.

### Инструкция по техническому обслуживанию

#### ⚠ ВНИМАНИЕ

**Перед выполнением технического обслуживания или осуществлением регулировок убедитесь в том, что инструмент выключен и аккумулятор или переходник переменного тока извлечен.**

### Чистка и смазка

1. Ежедневно протирайте инструмент чистой сухой тряпкой.
2. Проверяйте штифт крепления насадки и при необходимости смазывайте штифт силиконовой смазкой.
3. При каждом использовании проверяйте возвратные пружины в насадках. Насадки должны свободно открываться и закрываться при приложении небольшого усилия пальцем.

### Обслуживание и ремонт

#### ⚠ ВНИМАНИЕ

**Неправильное обслуживание или ремонт могут привести к небезопасной работе инструмента.**

Техническое обслуживание и ремонт пресс-инструментов RP 350 и RP 351 следует производить в независимом сервисном центре RIDGID по обслуживанию пресс-инструментов.

Для получения информации о ближайшем независимом авторизованном сервисном центре RIDGID или по любому вопросу, касающемуся обслуживания или ремонта, обратитесь к разделу *Контактная информация* в этом руководстве.

## Поиск и устранение неисправностей

ПРИЗНАК НЕИСПРАВНОСТИ	ВОЗМОЖНЫЕ ПРИЧИНЫ	РЕШЕНИЕ
<b>Инструмент не включится, когда нажата кнопка ВКЛ/ВЫКЛ.</b>	<p>Аккумулятор полностью разряжен или неисправен.</p> <p>Аккумулятор неправильно вставлен в рукоятку инструмента</p> <p>Переходник переменного тока неправильно вставлен в инструмент.</p>	<p>Вставьте полностью заряженный аккумулятор/зарядите аккумулятор.</p> <p>Проверьте, что аккумулятор вставлен до упора.</p> <p>Правильно вставьте переходник переменного тока в инструмент.</p>
<b>Насадка заблокирована на фитинге.</b>	<p>Пресс-соединение не завершено успешно.</p>	<p>Нажмите кнопку сброса давления, чтобы снять пресс-клещи с фитинга. Проверьте и выполните повторный обжим фитинга.</p>
<b>Выполненные пресс-соединения имеют дефекты.</b>	<p>Используются пресс-клещи, не соответствующие размеру или материалу трубы.</p> <p>Инструмент не был установлен перпендикулярно к трубе.</p> <p>Контур обжатия насадки не был совмещен с контуром фитинга.</p> <p>Инструмент нуждается в ремонте.</p>	<p>Установите надлежащую насадку.</p> <p>Повторно выполните пресс-соединение с новым фитингом и новой трубой. Удостоверьтесь, что инструмент установлен перпендикулярно к трубе.</p> <p>Повторно выполните соединение с новой трубой и новым фитингом. Убедитесь в том, что контур обжатия насадки совмещен с контуром фитинга.</p> <p>Направьте машину на техническое обслуживание.</p>
<b>Из инструмента вытекает масло.</b>	<p>Проблемы с уплотнением или механическая неисправность.</p>	
<b>Двигатель работает, но инструмент не завершает цикл.</b>	<p>Низкий уровень масла.</p>	<p>Направьте машину на техническое обслуживание.</p>
<b>Инструмент останавливается во время работы.</b>	<p>Низкий уровень масла.</p>	

*См. рис. 5 – Индикаторы состояния инструмента*



## Дополнительные принадлежности

### ▲ ВНИМАНИЕ

Для снижения риска тяжелой травмы используйте только указанные ниже принадлежности, специально разработанные и рекомендованные к применению с пресс-инструментами RP 350 и RP 351.

Аккумулятор и переходник

№ по каталогу	Описание
56513	Литий-ионный аккумулятор RB-1825 18 В 2,5 А-ч
56518	Литий-ионный аккумулятор RB-1850 18 В 5,0 А-ч
44468	Адаптер для питания от сети переменного тока 120 В - Северная Америка
43338	Адаптер для питания от сети переменного тока 220 В - Европа
44823	Адаптер для питания от сети переменного тока 120 В - Китай

Зарядные устройства и шнуры

№ по каталогу		Регион	Тип штепсельной вилки
64383	Зарядное устройство RBC-30	Северная Америка	A
56523	Зарядное устройство RBC-30	Европа	C
64388	Зарядное устройство RBC-30	Китай	A
64393	Зарядное устройство RBC-30	Австралия	I
64378	Зарядное устройство RBC-30	Япония	A
64398	Зарядное устройство RBC-30	Великобритания	Г
64173	Провод зарядного устройства RBC-30	Северная Америка	A
64183	Провод зарядного устройства RBC-30	Европа	C

Чтобы получить полный список оборудования RIDGID, подходящего для данных инструментов, посмотрите каталог компании Ridge Tool на сайте RIDGID.com или обратитесь к разделу *Контактная информация*.

## Утилизация

Детали данных инструментов содержат ценные материалы и могут быть подвергнуты повторной переработке. В своем регионе вы можете найти компании, специализирующиеся на утилизации. Утилизируйте компоненты в соответствии со всеми применимыми нормативами. Узнайте дополнительную информацию в местной организации по утилизации отходов.



**Для стран ЕС:** запрещается утилизировать электрооборудование вместе с бытовыми отходами!

В соответствии с Европейской директивой 2012/-19/EU по утилизации электрического и электронного оборудования, электрическое оборудование, не пригодное для дальнейшего использования, следует собирать отдельно и утилизировать безопасным для окружающей среды способом.

## Электромагнитная совместимость (ЭМС)

Термин "электромагнитная совместимость" здесь обозначает способность продукта безошибочно функционировать в среде с излучаемыми электромагнитными помехами и электростатическими разрядами, не создавая электромагнитных помех для другого оборудования.

**ПРЕДУПРЕЖДЕНИЕ** Эти инструменты соответствуют всем действующим стандартам ЭМС. Однако, невозможно полностью исключить вероятность того, что инструменты создают помехи для других устройств. Все стандарты, связанные с электромагнитной совместимостью, соответствие которым было проверено, указаны в технической документации на инструмент.

## Заявление Федеральной комиссии по связи США/Международного центра устойчивого энергетического развития

Настоящее устройство соответствует требованиям Части 15 правил Федеральной комиссии по связи. При эксплуатации следует руководствоваться следующими двумя условиями:

1. Устройство не должно создавать недопустимые помехи.
2. Устройство должно принимать любые получаемые помехи, включая те, которые могут вызвать неблагоприятное действие.

Модификации, не одобренные компанией в явной форме, могут привести к аннулированию права пользователя на эксплуатацию оборудования.

Данный прибор был протестирован и показал соответствие с ограничениями для цифровых устройств Класса А, в соответствии с Частью 15 Правил ФКС. Данные ограничения предназначены для обеспечения надлежащей защиты от недопустимых помех, когда оборудование эксплуатируется в коммерческих помещениях. Этот прибор генерирует, использует и может излучать энергию радиочастот, и в случае установки и применения с нарушением настоящего руководства может создавать недопустимые помехи для радиосвязи. Эксплуатация данного оборудования в жилом районе может вызвать вредные помехи, в этом случае пользователь должен будет устранить помехи за свой счет.

Данное изделие соответствует канадскому стандарту ICES-003 класс А. См. на инструменте наклейку с декларацией.

# RP 350/RP 351

## Pres Makineleri



### **⚠ UYARI!**

Bu aleti kullanmadan önce kullanım kılavuzunu dikkatle okuyun. Bu kılavuzun içeriğinin anlaşılmasında ve ona uyulmaması elektrik çarpması, yangın ve/veya ağır yaralanmalara yol açabilir.

#### RP 350/RP 351 Pres Makineleri

Aşağıdaki Seri Numarasını kaydedin ve isim levhasındaki ürün seri numarasını muhafaza edin.

Seri No.

## İçindekiler

<b>Makine Seri Numarası için Kayıt Formu</b> .....	339
<b>Güvenlik Sembolleri/Semboller</b> .....	341
<b>Genel Elektrikli Alet Güvenlik Uyarıları</b> .....	341
Çalışma Alanı Güvenliği .....	341
Elektrik Güvenliği .....	341
Kişisel Güvenlik .....	342
Elektrikli Alet Kullanımı ve Bakımı .....	342
Batarya İle Çalışan Makinelerin Kullanımı ve Bakımı .....	342
Servis .....	343
<b>Özel Güvenlik Bilgileri</b> .....	343
Pres Makinesi Güvenliği .....	343
<b>RIDGID® İrtibat Bilgileri</b> .....	343
<b>Açıklama</b> .....	344
<b>Teknik Özellikler</b> .....	346
Standart Ekipman .....	347
<b>Kullanım-Öncesi Kontrol</b> .....	347
<b>Hazırlama ve Çalıştırma</b> .....	348
Atışmanın Sökülmesi/Takılması .....	348
Bağlantıyı Hazırlama .....	348
Bir Tespit Elemanını Tipik Makas Çeneleri ile Presleme .....	348
Tipik Aktüatör ve Pres Halka Setli Bir Tespit Elemanını Presleme .....	349
Preslenmiş Bağlantıyı İnceleme .....	350
Bluetooth Fonksiyonları (Kablosuz Veri Aktarımı) .....	350
Soğuk Havada Çalışma .....	351
<b>Saklama</b> .....	351
<b>Bakım Talimatları</b> .....	351
Temizleme ve Yağlama .....	351
<b>Bakım ve Onarım</b> .....	351
<b>Sorun Giderme</b> .....	352
<b>İsteğe Bağlı Ekipman</b> .....	353
<b>Elden Çıkarma</b> .....	353
<b>Elektromanyetik Uyumluluk (EMC)</b> .....	354
<b>FCC/ICES Beyanı</b> .....	354
<b>AT Uygunluk Beyanı</b> .....	Arka Kapak İçinde
<b>Ömür Boyu Garanti</b> .....	Arka Kapak

\* Orijinal kılavuzun çevirisidir

## Güvenlik Sembolleri/Semboller

Bu kullanım kılavuzunda ve ürün üzerinde güvenlik sembolleri ve uyarı kelimeleri önemli güvenlik bilgilerini bildirmek için kullanılmıştır. Bu kısım, bu uyarı kelimelerinin ve sembollerin daha iyi anlaşılması için sunulmuştur.



Bu güvenlik uyarı sembolüdür. Sizi potansiyel kişisel yaralanma tehlikesine karşı uyarmak için kullanılır. Muhtemel yaralanma veya ölümden sakınmak için bu sembolü izleyen tüm güvenlik mesajlarına uyun.



**TEHLİKE** TEHLİKE sakınılmadığı takdirde ölüm veya ciddi yaralanmayla sonuçlanacak tehlikeli bir durumu gösterir.



**UYARI** UYARI sakınılmadığı takdirde ölüm veya ciddi yaralanmayla sonuçlanabilecek tehlikeli bir durumu gösterir.



**DİKKAT** DİKKAT sakınılmadığı takdirde küçük veya orta derece yaralanmaya yol açabilecek tehlikeli bir durumu gösterir.



**BİLDİRİM** BİLDİRİM eşyanın korunmasıyla ilgili bilgileri gösterir.



Bu sembol, ekipmanı kullanmadan önce kullanım kılavuzunun dikkatlice okunması gerektiği anlamına gelir. Kullanım kılavuzu ekipmanın emniyetli ve düzgün kullanımına dair önemli bilgiler içerir.



Bu sembol göz yaralanması riskini azaltmak için ekipmanı taşırken veya kullanırken daima yan korumaları olan güvenlik gözlükleri veya koruyucu gözlüklerin takılması gerektiğini gösterir.



Bu sembol ellerinizin, parmaklarınızın ve vücudunuzun diğer organlarının ezilme tehlikesini göstermektedir.



Bu sembol elektrik çarpması riskini gösterir.



Bu sembol, ürünün Yalnızca İç Mekanda Kullanıma Uygun olduğunu belirtir.



Bu sembol, ürünün bir Sınıf II ekipmanı olduğunu gösterir.



Bu simge, bunun evsel atıklarla birlikte atılmaması gereken elektrikli bir ekipman olduğunu gösterir. "Elden Çıkarma" bölümüne bakın.



Bu sembol, elektrikli ekipmanın uygulanabilir AT direktiflerinin gerekliliklerini karşıladığını gösterir.



Bu sembol, ürünün üretim yılını gösterir.

## Genel Elektrikli Alet Güvenlik Uyarıları\*



**Bu elektrikli aletle birlikte gelen tüm güvenlik uyarıları, talimatları, çizimleri ve teknik bilgileri okuyun. Aşağıda listelenen talimatların tümüne uyulmaması elektrik çarpması, yangın ve/veya ciddi yaralanmalara yol açabilir.**

### TÜM UYARI VE TALİMATLARI GELECEKTE BAŞVURMAK ÜZERE SAKLAYIN!

Uyarılardaki "elektrikli alet" terimi elektrik hattından (kablo lu) ya da batarya ile (kablesiz) çalışan elektrikli makineleri kapsar.

### Çalışma Alanı Güvenliği

- Çalışma alanınızın temiz ve iyi aydınlatılmış olmasını sağlayın. Dağınık veya karanlık alanlar kazalara yol açabilir.

- Elektrikli aletleri alev alabilen sıvıların, gazların ya da tozların olduğu patlayıcı atmosferlerde kullanmayın. Elektrikli aletler toz ya da gazları tutuşturabilecek kıvılcımlar üretebilirler.
- Elektrikli makineleri kullanırken çocuklar ve izleyenleri uzakta tutun. Dikkatinizi dağıtan şeyler kontrolü kaybetmenize sebep olabilir.

### Elektrik Güvenliği

- Elektrikli aletlerin fişleri prizlere uygun olmalıdır. Fişi hiç bir şekilde değiştirmeyin. Topraklanmış elektrikli aletler ile adaptör fişi kullanmayın. Modifiye edilmiş fişler ve eşleşen prizler elektrik çarpması riskini azaltır.
- Borular, radyatörler, ocaklar ve buz dolapları gibi topraklanmış yüzeylere temas etmekten kaçınınız. Vücudunuzun topraklanması durumunda elektrik çarpması riski artar.

\* Bu kılavuzun Genel Elektrikli Makine Güvenlik Uyarıları bölümünde kullanılan metin, kanunlar gereği geçerli UL/CSA 62841-1 standardından harfi harfine alınmıştır. Bu bölümde, pek çok farklı tipte elektrikli alet için genel güvenlik uygulamaları bulunmaktadır. Tüm önlemler her alet için geçerli olmayabilir, bazı önlemler de bu alet için geçerli değildir.



- **Elektrikli makineleri yağmura ya da ıslak koşullara maruz bırakmayın.** Elektrikli alete giren su, elektrik çarpması ihtimalini artırır.
- **Kabloyu başka amaçlarla kullanmayın.** Kabloyu elektrikli aleti taşımak, çekmek ya da çıkarmak için asla kullanmayın. Kabloyu ısıdan, yağdan, keskin kenarlardan ve hareketli parçalardan uzak tutun. Hasar görmüş veya dolaşık kablolar elektrik çarpması riskini artırır.
- **Elektrikli bir makineyi açık havada kullanmak için açık havaya uygun uzatma kabloları kullanın.** Açık havada kullanıma uygun kabloların kullanılması elektrik çarpması ihtimalini azaltır.
- **Elektrikli makinenin nemli bir ortamda kullanılması kaçınılmaz ise bir topraklama hatası devre kesici (GFCI) korumalı güç kaynağı kullanın.** GFCI kullanımı elektrik çarpması ihtimalini azaltır.

## Kişisel Güvenlik

- **Dikkatli olun, ne yaptığınıza dikkat edin ve elektrikli alet kullanırken sağduyunuzu kullanın.** Yorgunken ya da uyuşturucu, alkol veya ilaçların etkisindeyken elektrikli aletler kullanmayın. Elektrikli makine kullanımı sırasında bir anlık dikkatsizlik ağır yaralanmalara yol açabilir.
- **Kişisel koruyucu ekipmanlar kullanın. Daima göz koruması kullanın.** Toz maskeleri, kaymaz güvenlik ayakkabıları, sert şapkalar ve kulak korumaları gibi koruyucu ekipmanların kullanımı yaralanmaların azalmasını sağlar.
- **Aletin siz farkında olmadan çalışmaya başlamasını engelleyin. Güç kaynağına ve/veya batarya takımına bağlamadan, makineyi toplamadan veya taşımadan önce düğmenin KAPALI konumda olduğundan emin olun.** Elektrikli el aletlerini parmağınız düğmenin üzerinden taşımak veya düğme AÇIK konumdayken elektrikli el aletlerine enerji vermek kazalara davet çıkarır.
- **Elektrikli makineyi AÇMADAN önce tüm ayar anahtarlarını veya anahtarları çıkartın.** Elektrikli aletin dönen parçasına takılı olarak bırakılmış bir anahtar yaralanmalara yol açabilir.
- **Aşırı zorlamadan kullanın. Her seferinde uygun düzeyde ve dengede kullanın.** Bu, beklenmedik durumlarda elektrikli aleti daha iyi kontrol etmenizi sağlar.
- **Uygun giyinin. Bol giysiler giymeyin ve takı takmayın. Saçınızı, giysilerinizi ve eldivenlerinizi hareket eden parçalardan uzak tutun.** Bol giysiler, takılar ya da uzun saçlar hareket eden parçalar tarafından kapılabilir.
- **Aletler toz aspiratörü ve toplama tertibatı ile birlikte kullanılacaklarsa tüm bunların bağlı ve uygun şekilde**

**çalıştığından emin olun.** Toz toplayıcıların kullanılması, tozlardan kaynaklı kazaları azaltabilir.

- **Makinelerin sık kullanımı dolayısıyla edinilen aşınalığın laubali davranışa ve aletle ilgili güvenlik ilkelerinin ihmaline yol açmasına izin vermeyin.** Dikkatsiz bir eylem bir saniyeden daha kısa sürede ciddi yaralanmaya neden olabilir.

## Elektrikli Alet Kullanımı ve Bakımı

- **Aşırı zorlamadan kullanın. Uygulamanız için doğru elektrikli alet kullanın.** Doğru elektrikli alet işinizi uygun tasarlandığı oranda iyi ve güvenli şekilde yapar.
- **Düğme elektrikli makineyi AÇIP KAPATMIYORSA ekipmanı kullanmayın.** Düğme ile kontrol edilemeyen elektrikli aletler tehlikelidir ve tamir edilmelidir.
- **Herhangi bir ayarlama yapmadan, aksesuarları değiştirmeden veya elektrikli makineleri durdurmadan önce fişini güç kaynağından çekin ve/veya batarya paketini çıkartın.** Bu tür güvenlik önlemleri elektrikli makinenin kazayla çalıştırılması ihtimalini azaltır.
- **Kullanmadığınız makinelerinizi çocukların uzanmayacağı yerlerde saklayın ve elektrikli makineleri kullanma deneyimi olmayan ya da bu talimatlardan habersiz kişilerin kullanmalarına izin vermeyin.** Elektrikli aletler eğitimsiz kullanıcıların ellerinde tehlikelidir.
- **Elektrikli aletlerin bakımlarını yapın. Elektrikli aletin çalışmasını etkileyecek yanlış ayarlama ya da hareketli parçaların yanlış bağlanması, parçaların kırılması ve diğer durumlara karşı kontrol edin. Eğer hasarlıysa, elektrikli aleti kullanmadan önce tamir ettirin.** Birçok kaza bakımsız elektrikli aletlerden kaynaklanır.
- **Kesme makinelerini keskin ve temiz tutun.** Uygun şekilde bakımı yapılmış keskin uçlu aletlerin takılıp kalma olasılığı düşüktür ve kontrolleri daha kolaydır.
- **Elektrikli makineyi, aksesuarlarını, alet uçlarını vs. çalışma koşullarını ve yapılacak işi göz önünde bulundurarak bu talimatlara uygun olarak kullanın.** Elektrikli aletin tasarlandığı uygulama dışında kullanılması tehlikeli durumlara sebep olabilir.
- **Tutma saplarını ve kavrama yerlerini kuru, temiz ve yağ ile gres bulunmayacak şekilde muhafaza edin.** Kaygan tutma sapları ve kavrama yerleri beklenmedik durumlarda aletin güvenli şekilde tutulması ve kontrol edilmesine izin vermez.

## Batarya İle Çalışan Makinelerin Kullanımı ve Bakımı

- **Yalnızca üretici tarafından belirlenmiş şarj aleti ile şarj edin.** Bir batarya takımı türüne uygun olan şarj cihazının

başka bir batarya takımı türünü şarj etmek için kullanılması yangına sebep olabilir.

- **Elektrikli aletleri, sadece özel olarak belirlenmiş bataryalarla kullanın.** Başka bataryaların kullanılması yaralanma ve yangına sebep olabilir.
- **Bataryaları kullanmadığınızda ataç, bozuk para, anahtar, çivi, vida, küçük parçalar gibi bir kutuptan diğerine bağlantı yapabilecek metal cisimlerden uzak tutun.** Batarya kutuplarını birbirine değdirmek yanık ve yangınlara sebep olabilir.
- **Kötü kullanım koşullarında bataryadan sıvı çıkabilir, bu sıvıya temas etmekten kaçının. Kazayla temas ederseniz su ile yıkayın. Eğer sıvı gözünüze temas ederse, tıbbi yardım da alın.** Bataryadan çıkan sıvı kaşıntı ve yanıklara sebep olabilir.
- **Hasar görmüş veya değiştirilmiş bir batarya takımını veya makineyi kullanmayın.** Hasar görmüş veya değiştirilmiş piller yangına, patlamaya veya yaralanma tehlikesine yol açan beklenmedik bir tutum sergileyebilir.
- **Bir batarya takımını veya makineyi ateşe veya aşırı ısıya maruz bırakmayın.** Ateşe veya 265°F (130°C) üstündeki sıcaklığa maruz kalma patlamaya neden olabilir.
- **Şarj etme talimatlarının tümüne uyun ve batarya takımını veya makineyi talimatlarda belirtilen sıcaklık aralığının dışındaki sıcaklıklarda şarj etmeyin.** Yanlış veya belirtilen aralıkların dışındaki sıcaklıklarda şarj etmek bataryaya zarar verebilir ve yangın riskini artırabilir.

## Servis

- **Elektrikli aletinizin onarımını yetkili tamircilere sadece orijinal yedek parçaları kullanarak yaptırın.** Bu, elektrikli aletin güvenliğinin devamlılığını sağlayacaktır.

## Özel Güvenlik Bilgileri

### ⚠ UYARI

**Bu bölüm makineye özel önemli güvenlik bilgileri içerir.**

**Elektrik çarpması veya diğer ciddi yaralanma risklerini azaltmak için pres makinelerini kullanmadan önce bu önlemleri dikkatlice okuyun.**

### TÜM UYARI VE TALİMATLARI GELECEKTE BAŞVURMAK ÜZERE SAKLAYIN!

Bu kılavuzun operatör tarafından kullanılabilmesi amacıyla aletle birlikte muhafaza edilmesi için aletin taşındığı çantaya bir bölme ilave edilmiştir.

## Pres Makinesi Güvenliği

- **Pres döngüsü sırasında parmaklarınızı ve ellerinizi presleme ataşmanlarından uzak tutun.** Ataşmanlar veya bu parçalar ile diğer bir cisim arasına sıkışması durumunda parmaklarınız veya elleriniz ezilebilir, kırılabilir veya kopabilir.
  - **Asla hasar görmüş presleme ataşmanlarını onarmayı denemeyin (çeneler, pres halkası, aktüatör, vs.). Hasar görmüş ataşmanı tamamen atın.** Kaynaklanmış, topraklanmış, delinmiş veya herhangi bir şekilde değiştirilmiş bir ataşman presleme sırasında parçalanabilir ve ciddi yaralanmaya neden olabilir. Presleme ataşmanı tümüyle değiştirilmediği takdirde bileşen arızası veya ciddi yaralanma meydana gelebilir.
  - **Parçaların kırılarak veya fırlatılarak yaralanmaya neden olduğu ürün kullanımı esnasında büyük kuvvetler oluşturulur.** Kullanım sırasında aleti temiz tutun ve göz koruması dahil, uygun koruyucu ekipmanları takın.
  - **Yalnızca uygun RIDGID veya RIDGID onaylı Presleme ataşmanlarına (çeneler, pres halkaları, aktüatörler, vs.) sahip RIDGID® Pres Makineleri kullanın.** Diğer kullanımlar veya Pres Makinelerinin başka uygulamalar için modifiye edilmesi pres makinesine zarar verebilir, ataşmanlara hasar verebilir ve/veya yaralanmaya neden olabilir.
  - **Uygun makine, ataşman ve montaj kombinasyonları kullanın.** Uygunsuz kombinasyonlar eksik bağlantıya neden olabilir ve bu sızıntı, ekipman hasarı ve yaralanma riskini arttırabilir.
  - **Bir RIDGID® Pres Makinesini kullanmadan önce, aşağıdakileri okuyup anlayın:**
    - Bu kullanım kılavuzu
    - Ataşman talimatları
    - Batarya/şarj cihazı kılavuzu
    - Tespit elemanı üreticisinin kurulum talimatları
    - Bu makineyle birlikte kullanılan tüm diğer donanımlar veya malzemelere ait talimatlar.
- Talimatların ve uyarıların tümüne uyulmaması maddi hasara ve/veya ciddi yaralanmalara yol açabilir.

## RIDGID® İrtibat Bilgileri

Bu RIDGID® ürünü ile ilgili sorularınız için:

- Bulduğunuz bölgedeki RIDGID distribütörü ile irtibata geçin.
- Yerel RIDGID irtibat noktasının iletişim bilgilerine erişmek için RIDGID.com adresini ziyaret edin.
- Ridge Tool Teknik Servis Departmanı ile [rtctechservices@emerson.com](mailto:rtctechservices@emerson.com) adresi veya ABD ve Kanada'da iseniz (800) 519-3456 telefon numarasını üzerinden irtibata geçin.

## Açıklama

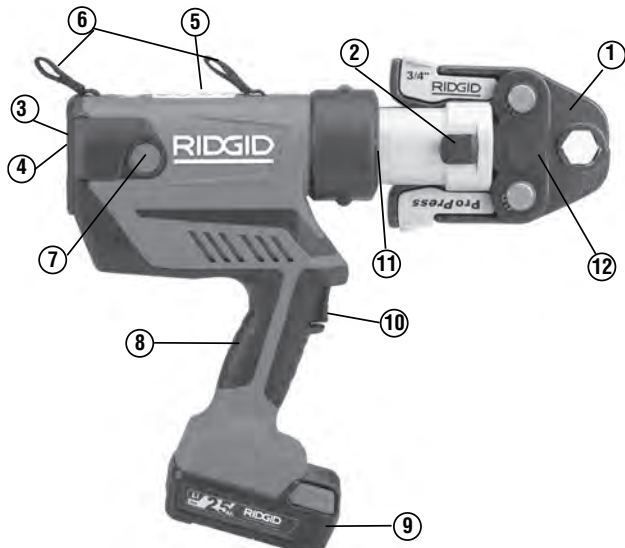
RIDGID® RP 350 ve RP 351 Pres Makineleri, uygun ataşmanlar ile birlikte kullanıldığında, sıhhi tesisat, ısıtma, klima ve soğutma uygulamaları gibi su geçirmez ve kalıcı bir conta oluşturmak için armatürleri boruya mekanik olarak bastırma üzere tasarlanmıştır. Ataşmanlar ayrıca başka kullanımlar için de mevcuttur.

Pres makinesindeki çalıştır düğmesine basıldığında dahili elektrik motoru makinenin silindrine sıvı gönderen, tokmağı ileri doğru hareket ettiren ve ataşmana kuvvet uygulayarak tespit elemanını presleyen hidrolik bir pompaya güç verir. Pres döngüsü yaklaşık 4 saniye sürer. Döngü, tespit elemanını deforme etmeye başladığında çalıştır düğmesi bırakılsa bile tamamlanana kadar devam eder.

Makine, RIDGID Link uygulaması kullanılarak etkinleştirilebilen ikinci bir kullanım moduna ("Kontrol Modu") sahiptir. Kontrol Modu, ataşmanın, tespit elemanının ve borunun doğru hizalandığının onaylanmasını sağlamak için tespit elemanının preslenmeden önce kenetlenmesini sağlar.

Makine Durum Işıkları makine durumu, batarya durumu, bakım gerekli veya uygun olmayan sıcaklık gibi durumları gösterir. Çalıştır düğmesine basıldığında çalışma alanını aydınlatmak için çalışma ışığı YANAR. Başlık, dar alanlara daha iyi erişmek için 360° döndürülebilir.

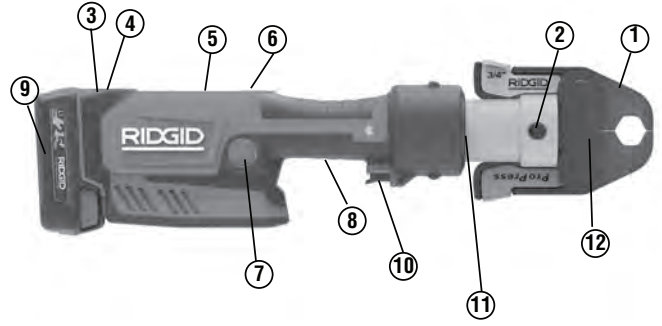
Makineler, omuz kemerleri ya da bağlama halatları gibi uygun ataşmanlarla kullanılabilen kumaş halkalar ile birlikte verilir.



**Şekil 1 - RIDGID RP 350 Pres Makinesi ve Standart Serisi Çene**

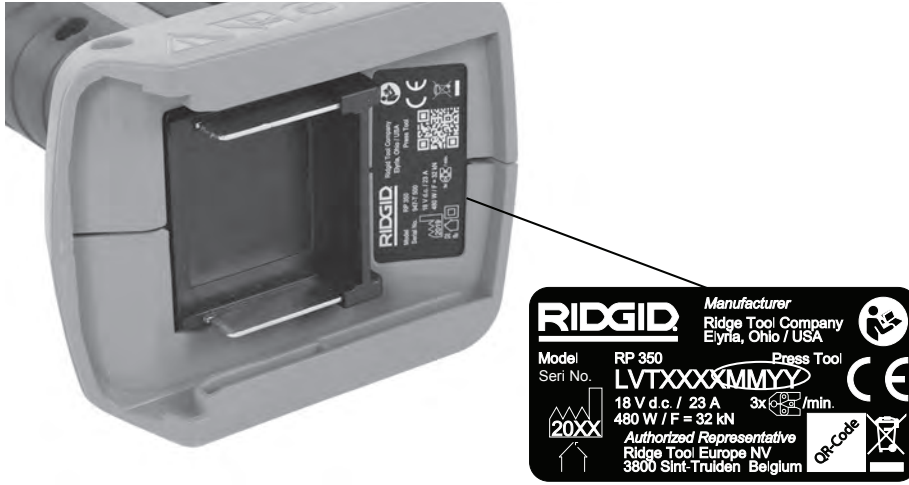
Pres makineleri, akıllı telefonlara ve tabletlere bağlantı sağlamak için Bluetooth®\* kablosuz bağlantı teknolojisini içermektedir. *Ayrıntı için "Bluetooth Fonksiyonları (Kablosuz Veri Transferi)" bölümüne bakın.*

\* Bluetooth® ismi ve logoları Bluetooth SIG inc'nin tescilli markalarıdır ve bu isimlerin kullanımı Emerson Electric Co. şirketinin lisansı altındadır. Diğer ticari markalar ve ticari isimler ilgili sahiplerine aittir.



**Şekil 2 - RIDGID RP 351 Pres Makinesi ve Standart Serisi Çene**

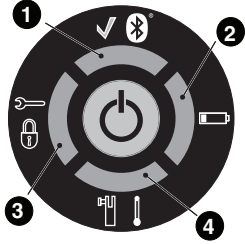
#	Açıklama
1	Makas Tipi Çene Seti
2	Ataşman Montaj Pimi
3	Alet Durum Işıkları
4	ON/OFF (Açma/Kapama) Düğmesi
5	Uyarı Etiketi (RP 351 Alt kısım)
6	İlme Halkası
7	Batarya
8	Tutma Sapı
9	Çalıştırma Anahtarı
10	Basınç Bırakma Düğmesi (RP 351 Uzak Taraf)
11	LED Çalışma Lambası
12	Çene Yan Plakası



Şekil 3 – Makine Seri Numarası - Daire içine alınmış rakamlar üretim yılını ve ayını gösterir. (YY = yıl, MM = ay).

Kontrolü	İşaret	Açıklama
On/Off Düğmesi		Ana makine güç anahtarı. (I = AÇIK, O = KAPALI). ON (AÇIK): Işıklar YANANA kadar düğmeye basın. <i>Bkz. Şekil 5 – Makine Durum Işıkları.</i> OFF (KAPALI): Işıklar SÖNENE kadar düğmeye basın. On (10) dakikalık bir süre kullanılmadığında alet otomatik olarak KAPANACAKTIR.
Çalıştırma Anahtarı	—	<b>Çalışma Işıklarının Yanması:</b> çalıştırma anahtarına hafifçe basın. <b>Normal Mod:</b> Pres döngüsünü başlatmak için çalıştırma anahtarına basın, makine kilitlendiğinde bırakın. Normal mod, fabrika ayarıdır. <b>Kontrol Modu:</b> İş parçasındaki ataşmanı etkinleştirmek için çalıştırma anahtarına basın. Gereken ayarları yapın. Pres döngüsünü başlatmak için tekrar çalıştırma anahtarına basın, makine kilitlendiğinde bırakın. Anahtarı serbest bırakmak kilitlendiğinde aleti durdurmayacaktır. Bu tutarlı, tekrar edilebilir pres bağlantı bütünlüğü sağlar. Mod, RIDGID Link Uygulaması ile değiştirilebilir, <i>bkz. Bluetooth Fonksiyonları bölümü.</i>
Basınç Bırakma Düğmesi		Makinenin, presleme bitmeden serbest bırakılmasını sağlar. Kullanıldığında pres bağlantısı tamamlanmaz ve tekrarlanmalıdır.
Ataşman Montaj Pimi	—	Ataşmanı makinede tutar. Makinenin çalışması için tamamen takılmalıdır. <i>Bkz. Şekil 6.</i>

Şekil 4 – Kontrol Çizelgesi



Işık Segment Sayısı (Işık Sürekli Açık)				Açıklama
1 ✓ Bluetooth	2 [Batarya]	3 [Kilit]	4 [Güç]	
—	—	—	—	Pres makinesi kapalı (OFF).
Yeşil	Yeşil	Yeşil	Yeşil	ON (Açık) düğmesine basılı, başlatmada ışıklar 4 saniye yanar, makine "Normal Mod"da.
Mavi	Mavi	Mavi	Mavi	ON (Açık) düğmesine basılı, başlatmada ışıklar 4 saniye yanar, makine "Kontrol Modu"nda - modu değiştirmek için bkz. <i>Bluetooth Fonksiyonları</i> bölümü.
Yeşil	—	—	—	Pres makinesi Normal Modda, bekleme, pres makinesi çalışmaya hazır.
Kırmızı	Sarı	Sarı	Sarı	Alet arızalandı. Alet çalışmayacaktır. Bataryayı veya AC adaptörünü çıkartın ve tekrar takın. Işık hala yanıyorsa makineye onarım yaptırın.
Kırmızı	—	—	—	Alet arızalandı. Alet çalışmayacaktır. Bataryayı veya AC adaptörünü çıkartın ve tekrar takın. Kırmızı ışık hala yanıyorsa makineye onarım yaptırın.
Sarı	—	Kırmızı	Kırmızı	Makine ve/veya batarya Teknik özellik sıcaklık aralığı dışında. Alet çalışmayacaktır. Makineyi ve bataryayı doğru çalışma sıcaklık aralığına getirin.
Sarı	—	—	Kırmızı	Ataşman montaj pimi tamamen takılı değil. Alet çalışmayacaktır. Pimi tamamen takın. Işıklar hala yanıyorsa makineye onarım yaptırın.
Sarı	Kırmızı	—	—	Batarya seviyesi düşük. Alet çalışmayacaktır. Bataryayı şarj edin/ Tamamen şarj edilmiş batarya takın.
Yeşil	Mavi	Mavi	Mavi	Bluetooth bağlantısı kuruldu, bekleme modu, pres makinesi çalışmaya hazır - Daha fazla bilgi için <i>Bluetooth Fonksiyonları</i> bölümüne bakın.
		Mor		Aygıt yazılımı güncellemesi yürütülüyor, güncelleme sırasında makine kullanılamaz.

Şekil 5 – Makine Durum Işıkları

## Teknik Özellikler

	RP 350 Pisto Pres Makinesi	RP 351 Inline Pres Makinesi
Ataşmanlar.....	RIDGID Standart Seri	RIDGID Standart Seri
Strok Uzunluğu.....	1.57" (40 mm)	1.57" (40 mm)
Motor		
Voltaj.....	18V DC anma değeri	18V DC anma değeri
Amper.....	23 A	23 A
Güç.....	480 Watt	480 Watt
Tokmak Kuvveti.....	7,200 lbs. (32 kN)	7,200 lbs. (32 kN)
Kafa Dönüşü.....	360°	360°
Görev Döngüsü.....	3 Pres [Simge]/dak	3 Pres [Simge]/dak
Güç Kaynağı.....	RIDGID RB-18XX Serisi 18V Li-Ion Batarya Takımı veya RIDGID RPA 120/220 AC Elektrik Adaptörü (Bkz. <i>İlave Ekipman Bölümü</i> )	
Bluetooth Menzili.....	33 ft. (10 m)	33 ft. (10 m)
İzin Verilebilir Nem.....	%80 maksimum	%80 maksimum
Çalışma Sıcaklığı Aralığı.....	15° F ila 122° F (-10° C ila 50° C)	15° F ila 122° F (-10° C ila 50° C)
Saklama Sıcaklığı.....	32° F ila 113° F (0° C ila 45° C)	32° F ila 113° F (0° C ila 45° C)



Ağırlık (batarya/ataşman yok).....	7.83 lbs (3,55 kg)	7.83 lbs (3,55 kg)
Boyutlar .....	11.3" x 11.0" x 3.1" 287 mm x 279 mm x 77 mm	15.7" x 4.65" x 3.1" 398 mm x 118 mm x 77 mm
Ses Basıncı (L <sub>PA</sub> )* .....	<74,5 dB(A), K=3 dB(A)	<74,5 dB(A), K=3 dB(A)
Titreşim* .....	<1,13 m/s <sup>2</sup> , K=1,5	<1,13 m/s <sup>2</sup> , K=1,5

\* Ses ve Titreşim ölçümleri Standart EN 62481-1 uyarınca standartlaştırılmış bir test ile yapılır.

- Titreşim seviyeleri, diğer araçlarla kıyaslama ve maruz kalmanın ön değerlendirilmesi için kullanılabilir.

- Ses ve titreşim emisyonları bulunduğunuz yere ve bu aletlerin özel kullanımına bağlı olarak değişebilir.

- Ses ve titreşim için günlük maruz kalma seviyeleri her uygulama için değerlendirilmeli ve gerektiğinde uygun güvenlik önlemleri alınmalıdır. Maruz kalma seviyelerinin değerlendirilmesinde, bir alet kapalı olduğu ve kullanılmadığı zamanlar da dikkate alınmalıdır. Bu, toplam çalışma süresince maruz kalma düzeyini önemli ölçüde azaltabilir.

## Standart Ekipman

Özel alet katalog numaralarıyla sunulan ekipmanla ilgili ayrıntılar için RIDGID kataloğuna bakın.

DİKKAT! RIDGID pres makinesi ataşmanları iki "seri" şeklinde sunulur

- Standart Seri
- Kompakt Seri

Bu ataşman serileri birbirleri arasında değiştirilemez. Standart seri ataşmanları yalnızca standart seri makineler ile çalışır (RP 350, RP 351, RP 342-XL, RP 340, RP 330, 320-E, CT-400). Kompakt seri ataşmanları yalnızca kompakt seri makineleri ile çalışır (RP 240, RP 241, RP 200, RP 210, 100B).

**BİLDİRİM** Uygun malzeme, birleştirme yöntemlerinin seçimi sistem tasarımcısı ve/veya tesisatçının sorumluluğundadır. Herhangi bir kurulum denenmeden önce kimyasal ortam ve çalışma sıcaklığı dahil özel servis ortamı dikkatli bir şekilde değerlendirilmelidir. Seçim ile ilgili bilgi için Pres Tespit Elemanı Sistemi üreticisine başvurun.

## Kullanım-Öncesi Kontrol

### ⚠ UYARI



**Kullanmadan önce günlük olarak, pres makinenizi kontrol edin ve elektrik çarpması, ezilme, ataşman arızası ve diğer nedenlerle**

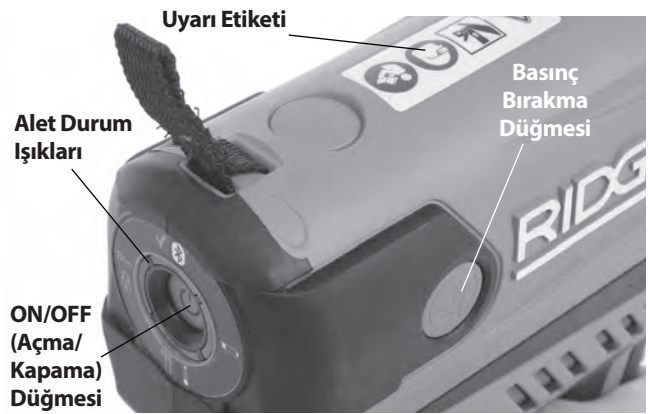
**ciddi yaralanma riskini azaltmak ve makineye hasar gelmesini önlemek için tüm sorunları düzeltin.**

1. Makineyi KAPATIN ve bataryayı/AC Adaptörünü makineden çıkartın.
2. Ekipmandaki, özellikle de kollar ve kumandalardaki yağı, gresi veya kiri temizleyin. Bu, incelemeyi kolaylaştırır ve aletin veya kontrollerin elinizden kaymasını önlemeye yardımcı olur.

3. Pres makinesini aşağıdakiler açısından izleyin:

- Doğru montaj, bakım ve eksiksizlik kontrolü yapın.
- Kırık, aşınmış, eksik, yanlış hizalı veya yapışan parçalar olup olmadığını kontrol edin. İlmek halkalarının iyi durumda olduğundan emin olun.
- Ataşman montaj pimi tamamen açık ve tamamen kapalı pozisyon arasında yavaşça hareket eder. Pim her pozisyonda yerine oturmalıdır. Çalıştırma anahtarının serbestçe hareket ettiğinden ve engellenmediğinden veya sıkışmadığından emin olun.
- Uyarı etiketinin mevcut olması ve okunabilirliği (bkz. Şekil 6).
- Güvenli ve normal çalışmayı etkileyebilecek başka her türlü durum.

Sorun onarılanaya kadar pres makinesini kullanmayın.



Şekil 6 - Durum Işıkları/Uyarı Etiketi

4. Makine ataşmanlarını talimatlar uyarınca inceleyin ve onarın. Ataşmanı makineden sökün. Ataşmanların iyi durumda olduğundan ve kullanılabilir olduğundan emin olun.
5. Diğer donanımın talimatlara uygun kullanıldıklarından, böylelikle düzgün çalıştıklarından emin olun.

## Hazırlama ve Çalıştırma

### ⚠ UYARI



Pres döngüsü sırasında parmaklarınızı ve ellerinizi makine ataşmanından uzak tutun.

Ataşmanda, makinede veya makine ve ataşman veya diğer nesnelere arasında sıkışması durumunda, parmaklarınız veya elleriniz kırılabilir veya kopabilir.

Parçaların kırılarak veya fırlatılarak yaralanmaya neden olduğu ürün kullanımı esnasında büyük kuvvetler oluşturulur. Kullanım sırasında aleti temiz tutun ve göz koruması dahil, uygun koruyucu ekipmanları takın.

Uygun makine, ataşman ve tespit elemanı kombinasyonları kullanın. Uygun olmayan kombinasyonlar, sızdırma, ekipman hasarı ve yaralanma riskini artıran eksik bir pres bağlantısı ile sonuçlanabilir.

Ezilme ve diğer nedenler sonucu ciddi yaralanma riskini azaltmak ve makinede hasar oluşumunu önlemek için Hazırlama ve Çalıştırma talimatlarına uyun.

1. Çalışma alanının uygun olduğundan emin olun (Bkz. Elektrikli Aletler Genel Güvenlik Uyarıları). Temiz, düz, sabit ve kuru bir konumda çalıştırın. Aleti suyun içinde dururken kullanmayın.
2. Yapılacak çalışmayı inceleyin ve uygulama için teknik özelliklere bakarak doğru RIDGID makinesini ve RIDGID ataşmanını belirleyin. Bir uygulama için yanlış ekipmanın kullanılması yaralanmaya, alette hasara ve yanlış bağlantıların yapılmasına neden olabilir.
3. Tüm ekipmanın talimatları uyarınca kontrol edildiğini ve ayarlandığını doğrulayın.

### Ataşmanın Sökülmesi/Takılması

1. Makineyi KAPATIN ve bataryayı/AC Adaptörünü makineden çıkartın.
2. Ataşman montaj pimini tamamen açın. Doğru ataşmanı sökün/takın (Şekil 7).
3. Ataşman montaj pimini kapalı konumda yerine oturana kadar tamamen kapatın. Ataşman montaj pimi, kullanım sırasında makine hasarını önlemek için tamamen kapalı olmalıdır. Makinenin ışıkları yanacaktır, Makine Durum Işıkları için bkz. Şekil 5.

DİKKAT! Ataşman olmadan makineyi çalıştırmayın, makine hasar görebilir.



Şekil 7 – Ataşman Montaj Pimi

### Bağlantıyı Hazırlama

**BİLDİRİM** Bu talimatlar çeşitli pres makinesi ataşmanları için genel uygulamalardır. Yanlış pres bağlantılarını ve yüksek maddi hasar riskini azaltmak için, kullanılan pres makinesi ataşmanına özel talimatlara ve tespit elemanı üreticisinin spesifik kurulum talimatlarına her zaman uyun.

1. Pres bağlantısını tespit elemanı üreticisinin talimatları uyarınca hazırlayın.
2. Elleriniz kuruyken makineye tamamen şarj edilmiş bir batarya veya AC Adaptörü takın. Kablolu elektrik adaptörünü bir GFCI ile kullanıyorsanız GFCI (RCD) 30 mA veya daha düşük bir nominal kalıntı akıma sahip olmalıdır. Makineyi AÇMAK için ON/OFF (Açma/Kapama) düğmesine bir kez basın. Tüm LED'ler makinenin kullanıma hazır olduğunu göstermek için yeşil renkte yanar. Bkz. 5 – Diğer ışıklar için Makine Durum Işıkları.

### Bir Tespit Elemanını Tipik Makas Çeneleri ile Presleme

1. Makineyi iki elinizle doğru bir şekilde tutun.

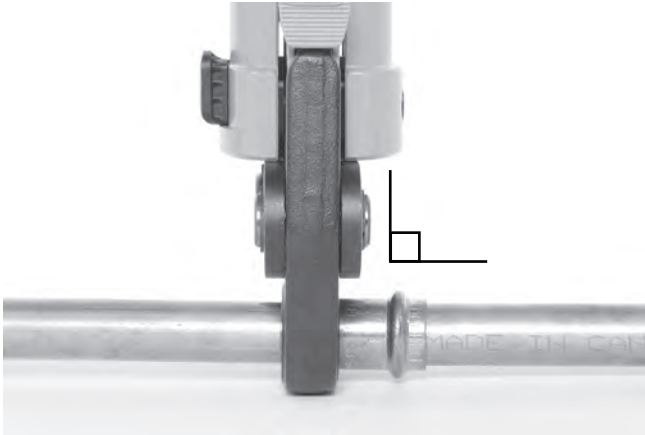


Şekil 8 - Makinenin Tutulması

2. Çeneleri açmak için çene kollarını sıkın.
3. Lütfen tespit elemanı çevresindeki çeneleri açın (Şekil 9). Çene pres profilini, Tespit Elemanı Üreticisinin Montaj Talimatlarında belirtildiği gibi uygun bir şekilde konturla hizalayın. Tespit elemanı çevresindeki çeneleri kapatmak için çene kollarını serbest bırakın. Çene setini tespit elemanından sarkıtmayın. Alet beklenmedik şekilde düşebilir ve ciddi yaralanma veya ölüme sebebiyet verebilir.



Şekil 9 – Makas Tipi Çeneleri Tespit Elemanın Etrafına Yerleştirme



Şekil 10 – Çeneler Tespit Elemanına Dik

4. Çenenin uygun şekilde yerleştirildiğini ve tespit elemanına ayarlandığını onaylayın (Şekil 10). Çene veya çene ve çevresi arasında ezilmeden kaynaklı yaralanmaları önlemek için parmaklarınızı ve ellerinizi çenelerden uzak tutun.

**Normal Mod:** Çalıştırma anahtarına basın (Şekiller 1 & 2). Alet çevrimi başladığında silindirler çene kolları ile temas eder, alet kilitlenir ve otomatik olarak çevrimi tamamlar. Anahtarı serbest bırakmak kilitlendiğinde aleti durdurmaz. Bu tutarlı, tekrar edilebilir pres bağlantı bütünlüğü sağlar.

**Kontrol Modu:** Çalıştırma anahtarına basın (Şekiller 1 & 2). Çeneler, tespit elemanını etkinleştirir ancak pres bağlantısı kurulmaz. Gereken ayarları yapın. Çalıştırma anahtarına tekrar basın, makinenin kilidi açılır ve döngü otomatik olarak tamamlanır. Anahtarı serbest bırakmak kilitlendiğinde aleti durdurmaz. Bu tutarlı, tekrar edilebilir pres bağlantı bütünlüğü sağlar.

Makinenin pres bağlantısı tamamlanmadan çıkartılması gerekiyorsa, basınç serbest bırakma düğmesine basın (Şekiller 1 & 2).

**BİLDİRİM** Serbest bırakma düğmesine her basıldığında, pres bağlantısı TAMAMLANMAZ ve tamamlandığından emin olmak için tespit elemanının tekrar preslenmesi gerekir. İşlem sırasında alet arızaları meydana gelirse, bu prosedürü kullanın.

5. Çalıştırma anahtarını bırakın.
6. Çeneleri açmak için çene kollarını sıkın.
7. Çeneyi tespit elemanından çıkartın. Presleme işlemi sırasında tespit elemanında oluşabilecek keskin kenarlardan kaçın.
8. İşlem tamamlandığında makineyi KAPATMAK için ON/OFF (Açma/Kapama) düğmesine bir kez basın. Bataryayı veya AC Adaptörünü makineden çıkartın.

### Tipik Aktüatör ve Pres Halka Setli Bir Tespit Elemanını Presleme

1. Halkayı açın ve tespit elemanının etrafına yerleştirin. Halka pres profilini, Tespit Elemanı Üreticisinin Montaj Talimatlarında belirtildiği gibi uygun bir şekilde konturla hizalayın. Tespit elemanının etrafına yaklaşması için halkayı serbest bırakın (Şekil 11).
2. Makineye uygun aktüatörün doğru bir şekilde takılı olduğunu onaylayın. Aktüatör uçlarını açmak için aktüatör kollarını sıkın. Aktüatör uçlarını halka cepleri ile hizalayın. Aktüatör kollarını serbest bırakın ve aktüatör uçlarını halka ceplerine tamamen geçirin (Şekil 12). Aktüatör ucunun halka cebine yanlış hizalanması pres esnasında halkaya veya aktüatöre hasar verebilir. Makineyi veya aktüatörü pres halkasından asmayın. Makine beklenmedik şekilde düşebilir ve ciddi yaralanma veya ölüme sebebiyet verebilir.



**Şekil 11 – Pres Halkasının Tespit Elemanının Üzerine Takılması**



**Şekil 12 – Aktuatörün Pres Halkasına Takılması**

3. Halkanın uygun şekilde yerleştirildiğini ve tespit elemanına ayarlandığını onaylayın. Ataşman veya ataşman ve çevresi arasında ezilmeden kaynaklı yaralanmaları önlemek için parmaklarınızı ve ellerinizi aktuatör ve halkadan uzak tutun.

**Normal Mod:** Çalıştırma anahtarına basın (Şekiller 1 & 2). Alet çevrimi başladığında silindirler çene kolları ile temas eder, alet kilitlenir ve otomatik olarak çevrimi tamamlar. Anahtarı serbest bırakmak kilitlendiğinde aleti durdurmayacaktır. Bu tutarlı, tekrar edilebilir pres bağlantı bütünlüğü sağlar.

**Kontrol Modu:** Çalıştırma anahtarına basın (Şekiller 1 & 2). Çeneler, tespit elemanını etkinleştirir ancak pres bağlantısı kurulmaz. Gereken ayarları yapın. Çalıştırma anahtarına tekrar basın, makinenin kilidi açılır ve döngü otomatik olarak tamamlanır. Anahtarı serbest bırakmak kilitlendiğinde aleti durdurmayacaktır. Bu tutarlı, tekrar edilebilir pres bağlantı bütünlüğü sağlar.

4. Makinenin pres bağlantısı tamamlanmadan çıkartılması gerekiyorsa, basınç serbest bırakma düğmesine basın (Şekiller 1 & 2).

**BİLDİRİM** Serbest bırakma düğmesine her basıldığında, pres TAMAMLANMAZ ve tamamlandığından emin olmak için pres bağlantısının tekrar preslenmesi gerekir. İşlem sırasında alet arızaları meydana gelirse, bu prosedürü kullanın.

5. Çalıştırma anahtarını bırakın.
6. Aktuatörü açmak için aktuatör kollarını sıkın. Aktuatörü tespit elemanından çıkartın.
7. Halkayı tespit elemanından çıkartın. Presleme işlemi sırasında tespit elemanında oluşabilecek keskin kenarlardan kaçınin.
8. İşlem tamamlandığında makineyi KAPATMAK için ON/OFF (Açma/Kapama) düğmesine bir kez basın. Bataryayı veya AC Adaptörünü makineden çıkartın.

### Preslenmiş Bağlantıyı İnceleme

1. Preslenmiş tespit elemanını aşağıdakiler açısından inceleyin:
  - Borunun tespit elemanına tam girmesi.
  - Boruların yüksek oranda yanlış hizalanması. Bir pres bağlantısında düşük miktarda yanlış hizalama normaldir.
  - Tespit elemanı konturu ile yanlış ataşman hizalaması. Bozulmuş veya deforme tespit elemanı.
  - Tespit elemanı üreticisine göre diğer sorunlar. Bu kontrol halkasının sökülmesini veya çıkartmayı içerebilir (bağlantının henüz preslenmediğini göstermek için kullanılır).

Herhangi bir sorun bulunursa, tespit elemanını sökün ve yeni bir pres bağlantısı takın.

2. Pres bağlantısını konektör üreticisinin talimatları, normal uygulamalar ve geçerli kodlara uygun olarak denetleyin ve test edin.

### Bluetooth Fonksiyonları (Kablosuz Veri Aktarımı)

RIDGID® RP 350 ve RP 351 Pres Makinesi iOS veya Android işletim sistemleri üzerinde çalışan düzgün şekilde donatılmış akıllı telefonlara veya tabletlere ("cihazlar") kablosuz veri aktarımına izin veren Bluetooth® kablosuz teknolojisini içerir.

1. RIDGID.com/apps veya Google Play Store ya da Apple App Store üzerinden uygun RIDGID® Link uygulamasını indirin.
2. Alet AÇIK durumdayken, bir Bluetooth kablosuz teknoloji ile donatılmış cihaz pres makinesini bulabilir ve eşleşebilir. Cihazınızın Bluetooth ayarlarında istediğiniz RIDGID makinesini seçin. Bluetooth kablosuz teknoloji üzerinden nasıl bağlantı kurulduğuna dair özel bilgiler için cihaz talimatlarına bakın. Bağlı olduğunda yeşil-mavi-mavi-mavi alet durum ışıkları yanar.



İlk eşleştirmeden sonra çoğu cihaz, Bluetooth kablosuz teknoloji etkin ve menzil içinde olduğunda ve cihaz ayarları konfigüre edildiğinde otomatik olarak Makinelere bağlanır. Pres makineleri algılanacak cihaza 33 ft.'ten (10 m) uzak olmamalıdır. Makine ve cihaz arasında herhangi bir engel çalışma menzilinizi azaltabilir.

3. Doğru kullanım için uygulama talimatlarını izleyin. Çalışma modu uygulama üzerinden değiştirilebilir. Uygulama ayrıca makine döngülerini izler.
4. Pres makinesi KAPALI olduğunda kablosuz veri transferi DURUR. Bataryanın boşalmasını önlemek için Bluetooth kablosuz cihazı KAPATIN.

### Soğuk Havada Çalışma

Sıcaklık düştüğünde hidrolik sıvı yoğunlaşır ve batarya performansı azalır. Yanlış çalıştırma riskini azaltmak için, RP 350 ve RP 351, alet durum ışıkları (Şekil 5) tarafından belirtildiği gibi teknik özellik sıcaklık aralığı dışında çalışmaz.

Ortam koşulları teknik özellik sıcaklık aralığının dışındaysa, aleti ve pilleri kullanıma hazır olana kadar koşullandırılmış bir yerde saklayın.

### Saklama

Bataryayı veya AC Adaptörünü pres makinesinden çıkartın. Pres makinesini ve bataryayı kutu içinde saklayın. Aşırı sıcak ve soğukta saklamaktan kaçının. Makine belirtilen menzil dışında olduğunda ÇALIŞMAZ. Bu makine durum ışıkları tarafından gösterilecektir. (Bkz. Şekil 5)

**⚠ UYARI** Makineyi kuru ve çocukların veya Pres Makinesine aşına olmayan kişilerin erişemeyeceği güvenli, kilitli bir yerde saklayın. Alet eğitimsiz kullanıcıların ellerinde tehlikelidir.

### Bakım Talimatları

#### ⚠ UYARI

**Bakım veya herhangi bir ayar yapmadan önce makinenin KAPALI olduğundan ve batarya veya AC Adaptörünün makineden çıkartıldığından emin olun.**

### Temizleme ve Yağlama

1. Aleti günlük temizlemek için temiz ve kuru bir bezle silin.
2. Ataşman montaj pimini muayene edin ve pimi gerektiğinde silikon yağlayıcıyla yağlayın.
3. Her kullanımda ataşmanlardaki geri dönüş yayını kontrol edin. Ataşmanlar yalnızca bir parmak hareketiyle kolayca açılıp kapatılmalıdır.

### Bakım ve Onarım

#### ⚠ UYARI

**Hatalı servis ve tamir makinenin çalışmasını güvensiz kılabilir.**

Bu RP 350 ve RP 351 Pres Makinelerinin servis ve tamiri sadece bir RIDGID Bağımsız Pres Makinesi Servis Merkezi tarafından gerçekleştirilmelidir.

Size en yakın Yetkili RIDGID Bağımsız Servis Merkezi hakkında bilgi veya servis ya da onarımla ilgili sorularınız için bu kılavuzdaki *İletişim Bilgileri* bölümüne bakın.



## Sorun Giderme

BELİRTİ	OLASI NEDENLERİ	ÇÖZÜM
<b>Makine, ON/ OFF düğmesine basıldığında AÇILMAZ.</b>	Batarya tamamen boşalmış veya batarya arızalı olabilir.	Tam olarak şarj edilmiş batarya takın/ bataryayı şarj edin.
	Batarya, makinenin koluna doğru şekilde takılmamış	Bataryanın tam olarak takıldığından emin olmak için kontrol edin.
	AC adaptörü makineye doğru bir şekilde takılmamış.	AC adaptörünü makineye doğru bir şekilde takın.
<b>Ataşman tespit elemanına kilitlendi.</b>	Pres bağlantısı başarıyla tamamlanmadı.	Çeneleri tespit elemanından çıkartmak için basınç bırakma düğmesine basın. Tespit elemanını inceleyin ve tekrar presleyin.
<b>Üretilen preslenen bağlantılar tamamlanamadı.</b>	Boru boyutu veya malzemesi için yanlış çene kullanıldı.	Doğru ataşmanı takın.
	Alet boruyla eşleşmiyor.	Pres bağlantısını yeni tespit elemanı ve yeni boru ile tekrar yapın. Makinenin boruyla eşleştiğinden emin olun.
	Ataşman pres konturu tespit elemanı konturu ile hizalı değil.	Bağlantıyı yeni boru ve yeni tespit elemanı ile tekrar yapın. Ataşman pres konturunun tespit elemanı konturu ile hizalandığından emin olun.
	Aletin onarıma ihtiyacı var.	Servise götürün.
<b>Aletten yağ kaçağı mevcut.</b>	Sızdırmazlık veya mekanik arızaları.	
<b>Motor çalışıyor fakat alet bir döngüyü tamamlamıyor.</b>	Yağ seviyesi düşük.	Servise götürün.
<b>Makine çalışma sırasında duruyor.</b>	Yağ seviyesi düşük.	

*Bkz. Şekil 5 – Makine Durum Işıkları*

## İsteğe Bağlı Ekipman

### ⚠ UYARI

**Ciddi yaralanma riskini azaltmak için aşağıda listelenenler gibi sadece RP 350 ve RP 351 Pres Makineleri için özel tasarlanan ve önerilen ekipmanları kullanın.**

### Batarya ve Adaptör Paketleri

Katalog No.	Açıklama
56513	RB-1825 18V 2,5 Ah Lityum-İyon Batarya
56518	RB-1850 18V 5,0 Ah Lityum-İyon Batarya
44468	120 AC Elektrik Adaptörü - Kuzey Amerika
43338	220 AC Elektrik Adaptörü - Avrupa
44823	120 AC Elektrik Adaptörü - Çin

### Şarj cihazları ve Kablolar

Katalog No.		Bölge	Fiş Tipi
64383	RBC-30 Şarj cihazı	Kuzey Amerika	A
56523	RBC-30 Şarj cihazı	Avrupa	C
64388	RBC-30 Şarj cihazı	Çin	A
64393	RBC-30 Şarj cihazı	Avustralya	I
64378	RBC-30 Şarj cihazı	Japonya	A
64398	RBC-30 Şarj cihazı	İngiltere	G
64173	RBC-30 Şarj Kablosu	Kuzey Amerika	A
64183	RBC-30 Şarj Kablosu	Avrupa	C

Bu makineler için mevcut olan RIDGID ekipmanların tam bir listesi için RIDGID.com adresinden çevrim içi Ridge Makine Kataloğuna bakın veya *İrtibat Bilgilerine* bakın.

## Elden Çıkarma

Bu aletlerin parçaları değerli malzemeler içermektedir ve geri dönüşüme tabi tutulmalıdır. Bulduğunuz bölgede geri dönüşüm konusunda uzmanlaşmış şirketler bulunabilir. Parçaları geçerli düzenlemelere göre elden çıkarın. Daha fazla bilgi için yerel yetkili atık yönetimi birimi ile iletişim kurun.



**AB Ülkeleri için:** Elektrikli cihazları ev atıkları ile birlikte atmayın!

Atık Elektrikli ve Elektronik Cihazlar için Avrupa Yönergesi 2012/19/EU ve yerel mevzuata uygulanmasına göre, kullanılmayacak durumdaki elektrikli cihazlar ayrı olarak toplanmalı ve çevreye zarar vermeyecek şekilde elden çıkarılmalıdır.

## Elektromanyetik Uyumluluk (EMC)

Elektromanyetik uyumluluk terimi, elektromanyetik yayılma ve elektrostatik boşalmaların bulunduğu ortamlarda ve diğer ekipmanlarda elektromanyetik parazite neden olmadan ürünün, sorunsuz olarak çalışması anlamına gelir.

**BİLDİRİM** Bu aletler tüm geçerli EMC standartlarına uygundur. Ancak diğer cihazlarda parazite neden olma ihtimali önlenemez. Tüm EMC ile ilgili test edilmiş standartlar aletin teknik belgelerinde belirtilmiştir.

## FCC/ICES Beyanı

Bu cihaz, FCC Kurallarının 15. Bölümüne uygundur. Çalıştırma aşığıdaki iki koşulu karşılamaktadır:

1. Bu cihaz zararlı parazite yol açamaz.
2. Bu cihaz istenmeyen çalışmaya yol açabilecek parazit dahil alınan her türlü paraziti kabul etmektedir.

Bu şirket tarafından açıkça onaylanmayan modifikasyonlar, kullanıcının cihazı çalıştırma yetkisini geçersiz kılabilir.

Bu cihaz test edilmiş ve FCC Kurallarının 15. bölümü çerçevesinde A Sınıfı dijital cihaz limitlerine uygun bulunmuştur. Bu limitler, ekipman ticari bir ortamda çalıştırıldığında zararlı müdahalelere karşı uygun bir koruma sağlamak için tasarlanmıştır. Bu cihaz, radyo frekans enerjisi üretir, kullanır ve yayabilir, eğer talimat kılavuzuna uygun olarak kurulup kullanılmaz ise telsiz iletişimlerde zararlı parazitlere neden olabilir. Bu ekipmanın bir yerleşim yerinde çalıştırılması zararlı bir girişime neden olabilir. Bu durumda kullanıcı girişimi kendi sorumluluğu altında düzeltmelidir.

Bu ürün Kanada ICES-003 Sınıf A teknik özellikleri ile uyumludur. *Alet üzerindeki Bildirim etiketine bakın.*

# RP 350/RP 351

## Пресс құралдары



### **⚠ ЕСКЕРТУ!**

Осы құралды пайдаланбас бұрын Оператордың нұсқаулығын мұқият оқып шығыңыз. Осы нұсқаулықты дұрыс түсінбеу және қадағаламау электр тогының соғуына, өртке және/немесе ауыр жарақатқа әкелуі мүмкін.

#### **RP 350/RP 351 пресс құралдары**

Төмендегі сериялық нөмірді жазып алыңыз және фирмалық тақтайшадағы өнімнің сериялық нөмірін сақтап қойыңыз.

Сериялық  
нөмірі

--

## Мазмұны

Құрылғының сериялық нөмірін жазу үлгісі.....	355
Қауіпсіздік таңбалары/Нышандар.....	357
<b>Жалпы электр құралының қауіпсіздік ескертулері</b> .....	357
Жұмыс аумағының қауіпсіздігі.....	357
Электр қауіпсіздігі.....	357
Жеке қауіпсіздік.....	358
Электр құралын пайдалану және оған күтім көрсету.....	358
Батарея құралын пайдалану және оған күтім көрсету.....	359
Қызмет көрсету.....	359
<b>Арнайы қауіпсіздік ақпараты</b> .....	359
Пресс құралының қауіпсіздігі.....	359
<b>RIDGID® байланыс ақпараты</b> .....	360
<b>Сипаттама</b> .....	360
<b>Техникалық сипаттар</b> .....	362
Стандартты жабдық.....	363
<b>Жұмыс алдында тексеру</b> .....	363
<b>Орнату және пайдалану</b> .....	364
Саптаманы алып тастау/орнату.....	364
Қосылымды дайындау.....	364
Фитингті қалыпты қайшы тәрізді қармауышпен қысу.....	365
Фитингті қалыпты жетек пен басу сақиналары жиынтығымен басу.....	366
Басылған қосылымды тексеру.....	366
Bluetooth функциялары (Деректерді сымсыз тасымалдау).....	367
Суық ауа-райында пайдалану.....	367
<b>Сақтау</b> .....	367
<b>Техникалық қызмет көрсету нұсқаулары</b> .....	367
Тазалау және майлау.....	367
<b>Қызмет көрсету және жөндеу</b> .....	367
<b>Ақаулықтарды жою</b> .....	368
<b>Қосымша жабдық</b> .....	369
<b>Тастау</b> .....	369
<b>Электромагниттік үйлесімділік (ЭМУ)</b> .....	370
<b>FCC/ICES мәлімдемесі</b> .....	370
<b>ЕО сәйкестік мәлімдемесі</b> .....	Ішкі артқы мұқабасы
<b>Пайдалану мерзіміне берілетін кепілдік</b> .....	Артқы мұқаба

\*Түпнұсқа нұсқаулардың аудармасы



## Қауіпсіздік таңбалары/Нышандар

Бұл пайдалану нұсқаулығындағы және өнімдегі қауіпсіздік нышандары және белгі сөздер маңызды қауіпсіздік ақпаратын жеткізу үшін пайдаланылады. Бұл бөлім осы белгі сөздер мен нышандарды жете түсіну үшін берілген.



Бұл қауіпсіздік ескертуі нышаны болып табылады. Бұл сізге ықтимал дене жарақаты қауіптері жөнінде ескерту жасау үшін пайдаланылады. Ықтимал жарақаттың немесе өлімнің алдын алу үшін осы нышанда берілген барлық қауіпсіздік шараларын сақтаңыз.

**⚠ ҚАУІП** ҚАУІП алдын алмаған жағдайда өлімге немесе ауыр жарақатқа әкелетін қауіпті жағдайды білдіреді.

**⚠ ЕСКЕРТУ** ЕСКЕРТУ алдын алмаған жағдайда өлімге немесе ауыр жарақатқа әкелуі мүмкін қауіпті жағдайды білдіреді.

**⚠ НАЗАР АУДАРЫҢЫЗ** НАЗАР АУДАРЫҢЫЗ алдын алмаған жағдайда кішігірім немесе орташа жарақатқа әкелуі мүмкін қауіпті жағдайды білдіреді.

**ЕСКЕРТПЕ** ЕСКЕРТПЕ мүлікті қорғауға қатысты ақпаратты білдіреді.



Бұл нышан жабдықты пайдаланбас бұрын пайдалану нұсқаулығын мұқият оқып шығуды білдіреді. Пайдалану нұсқаулығында жабдықты қауіпсіз және тиісті түрде пайдалану туралы маңызды ақпарат бар.



Бұл таңба көздің жарақаттану қаупін азайту үшін осы жабдықты пайдаланғанда, үнемі бүйір қалқалары бар көзәйнекті не көзілдірікті кию керектігін білдіреді.



Бұл нышан қолдардың, саусақтардың немесе өзге дене бөлігінің езіліп қалу қаупін білдіреді.



Бұл таңба электр тогының соғу қаупін көрсетеді.



Бұл таңба өнімнің тек іште пайдалануға арналғанын білдіреді.



Бұл таңба өнімнің II сынып жабдығына жататынын білдіреді.



Бұл таңба электр жабдығын тұрмыстық қалдықпен бірге тастамау қажеттілігін білдіреді. “Жою” бөлімін қараңыз.



Бұл таңба электр жабдығының қолданылатын ЕО Директивалары талаптарына жауап беретінін көрсетеді.



Бұл таңба өнімнің өндірілген жылын көрсетеді.

## Жалпы электр құралының қауіпсіздік ескертулері\*

### ⚠ ЕСКЕРТУ

Бұл электр құралымен берілген барлық қауіпсіздік ескертулерін, нұсқауларын, суреттерін және сипаттамаларын оқыңыз. Төменде көрсетілген барлық нұсқауларды орындамау электр тогының соғуына, өртке және/немесе ауыр жарақатқа әкелуі мүмкін.

### КЕЙІНГІ АНЫҚТАМАЛЫҚ РЕТІНДЕ БАРЛЫҚ ЕСКЕРТУЛЕР МЕН НҰСҚАУЛАРДЫ САҚТАП ҚОЙЫҢЫЗ!

Ескертудегі "электр құралы" термині желілік (сымды) электр құралын немесе батареямен жұмыс істейтін (сымсыз) электр құралын білдіреді.

### Жұмыс аумағының қауіпсіздігі

- Жұмыс аумағын таза және жарық күйде ұстаңыз. Ыбырсытылған немесе қараңғы орындар жазатайым оқиғаларға әкеледі.

- Электр құралдарын жанғыш сұйықтықтар, газдар немесе шаң бар жарылғыш орталарда пайдаланбаңыз. Электр құралдары шаң не түтінді тұтандыруы мүмкін ұшқындарды түзейді.

- Электр жабдығын іске қосқан кезде балалар мен жаныңыздағы адамдарды алшақ ұстаңыз. Назарыңызды бөлу басқаруды жоғалтуыңызға әкелуі мүмкін.

### Электр қауіпсіздігі

- Электр құралының ашалары розеткаға сәйкес келуі керек. Ашаны қандай да бір жолмен өзгертуге болмайды. Адаптер ашаларын жерге қосылған электр құралдарымен пайдаланбаңыз. Түрлендірілмеген ашалар және сәйкес келетін розеткалар электр тогының соғу қаупін азайтады.
- Жерге қосылған не тұйықталған беттерді, мысалы, құбырларды, радиаторларды, тізбектерді және тоңазытқыштарды ұстамаңыз. Денеңіз жерге тиіп тұрса, электр тогының соғу қаупі артады.

\* Осы нұсқаулықтың Жалпы электр құралы қауіпсіздігінің ескертулері бөліміндегі мәтін талап етілгендей қолданылатын UL/CSA 62841-1 стандартынан дәлме-дәл алынған. Бұл бөлімде электр құралдарының көптеген түрлеріне арналған жалпы қауіпсіздік әдістері бар. Әрбір сақтық шара әр құралға қолданыла бермейді және кейбіреуі осы құралға қолданылмайды.

- **Электр құралдарын жаңбыр немесе ылғал жағдайлар әсерінде қалдырмаңыз.** Электр құралына судың енуі электр тогының соғу қаупін арттырады.
- **Сымды теріс жолмен пайдаланбаңыз.** Сымды электр құралын тасу, тарту немесе желіден ажырату үшін мүлдем пайдаланбаңыз. Сымды қызудан, майдан, өткір жиектерден немесе қозғалатын бөлшектерден алшақ ұстаңыз. Зақымданған немесе шатысқан сымдар электр тогының соғу қаупін арттырады.
- **Электр құралын сыртта іске қосқан кезде сыртта пайдалануға жарамды ұзартқыш сымды пайдаланыңыз.** Сыртта пайдалануға арналған сымды пайдалану электр тогының соғу қаупін азайтады.
- **Электр құралын дымқыл орында пайдалануға тура келсе, жерге қысқа тұйықталу ажыратқышымен (GFCI) қорғалған қуат көзін пайдаланыңыз.** GFCI пайдалану электр тогының соғу қаупін азайтады.

### Жеке қауіпсіздік

- **Сақ болыңыз, не істеп жатқаныңызды бақылаңыз және электр құралын пайдаланған кезде саналы түрде әрекет етіңіз.** Шаршаған кезде немесе есірткі, алкоголь немесе дәрі әсерінде болғанда электр құралын пайдаланбаңыз. Электр құралдарын пайдаланған кезде зейіннің бір сәт аууы ауыр дене жарақатына әкелуі мүмкін.
- **Жеке қорғаныш жабдығын пайдаланыңыз.** Үнемі көзді қорғау құралын киіп жүріңіз. Шаңға қарсы респиратор, таймайтын қорғаныш аяқ киімі, дулыға немесе құлақ тығыны сияқты белгілі бір жағдайларда пайдаланылатын қорғаныш жабдығы дене жарақаттарын азайтады.
- **Еріксіз іске қосылудың алдын алыңыз.** Қуат көзіне және/немесе батареяға қоспас бұрын, құрылғыны көтеру немесе тасымалдау алдында қосқыштың **ӨШІРУ** күйінде екеніне көз жеткізіңіз. Электр құралдарын саусақты қосқыштың үстіне қойып тасымалдау немесе қосқышы **ҚОСУЛЫ** электр құралдарына қуат беру оқыс жағдайларға әкеледі.
- **Электр құралын ҚОСУ алдында реттегіш кілтті алып тастаңыз.** Электр құралының айналмалы бөлігіне бекітулі қалған бұранда немесе кілт дене жарақатына әкелуі мүмкін.
- **Созылып қол жеткізу әрекетін орындамаңыз.** Дұрыс адымдаңыз және үнемі тепе-теңдікті сақтаңыз. Бұл күтпеген жағдайларда электр құралының басқаруын жақсартуға мүмкіндік береді.
- **Тиісті түрде киініңіз.** Бос киім кимеңіз немесе әшекей тақпаңыз. Шашыңызды, киіміңізді және қолғаптарыңызды қозғалмалы бөлшектерден алшақ ұстаңыз. Бос киім,

әшекей немесе ұзын шаш қозғалмалы бөлшектерге ілініп қалуы мүмкін.

- **Егер шаң сору және жинау нысандарын жалғау құрылғылары берілген болса, олардың қосылғанына және тиісті түрде пайдаланылатынына көз жеткізіңіз.** Шаң жинағышты пайдалану шаңға қатысты қауіптіліктерді азайтуға мүмкіндік береді.
- **Құралдарды жиі пайдаланудан олармен таныс болуыңыз сақтығыңызды жоғалтып, құрал қауіпсіздігінің қағидаларының еленбеуіне жол бермеңіз.** Абайсыз әрекет әп-сәтте ауыр жарақатқа себеп болуы мүмкін.

### Электр құралын пайдалану және оған күтім көрсету

- **Электр құралына күш түсірмеңіз.** Қолдану үшін тиісті электр жабдығын пайдаланыңыз. Тиісті электр құралы жұмысты дұрыс және өзіне арналған жылдамдықта қауіпсіз орындайды.
- **Егер қосқыш оны ҚОСПАСА және ӨШІРМЕСЕ, электр құралын пайдаланбаңыз.** Қосқышпен басқарылмайтын кез келген электр құралы қауіпті және оны жөндеу керек.
- **Реттеулер орындау, қосалқы құралдарды ауыстыру немесе электр құралдарын сақтау алдында ашаны қуат көзінен ажыратыңыз және/немесе аккумулятор жинағын электр құралынан алып тастаңыз.** Мұндай алдын алу қауіпсіздік шаралары электр құралының байқаусызда іске қосылу қаупін азайтады.
- **Пайдаланылмайтын электр құралдарын балалардың қолы жетпейтін жерде сақтаңыз және электр құралымен немесе құралды пайдалану нұсқауларымен таныс емес адамдарға онымен жұмыс істеуге рұқсат етпеңіз.** Электр құралдары оқудан өтпеген пайдаланушылар қолында қауіпті болады.
- **Электр құралдарына қызмет көрсетіңіз.** Қозғалмалы бөлшектердің тура келмеушіліктерін немесе қысылып қалуын, бөлшектердің сынуын және электр құралының жұмысына әсер ететін басқа жағдайларды тексеріңіз. Егер зақымданса, электр құралын пайдаланбас бұрын жөндеңіз. Көптеген оқыс оқиғалар дұрыс қызмет көрсетілмеген электр құралдарына байланысты орын алады.
- **Кескіш құралдарды өткір, әрі таза күйінде ұстаңыз.** Өткір жиектері бар тиісті түрде қызмет көрсетілетін кескіш құралдар әдетте жабыспайды және оларды басқару оңай.
- **Электр құралын, керек-жарақтарды және құрал қашауларын жұмыс жағдайлары мен орындалатын жұмысты ескере отырып, осы нұсқауларға сәйкес пайдаланыңыз.** Электр құралын өзге мақсаттарда пайдалану қауіпті жағдайдың орын алуына әкелуі мүмкін.

- Тұтқаларды және ұстау беттерін құрғақ және таза күйде, майдан және жақпа майдан таза ұстаңыз. Сырғанақ тұтқалар мен ұстау беттері қауіпсіз қолдануға және күтпеген жағдайларда құралды басқаруға мүмкіндік бермейді.

### Батарея құралын пайдалану және оған күтім көрсету

- **Өндіруші белгілеген зарядтағышпен ғана зарядтаңыз.** Батарея жинағының бір түріне жарамды зарядтағыш басқа батарея жинағымен пайдаланылған кезде өрт қаупін төндіруі мүмкін.
- **Электр құралдарын тек арнайы белгіленген батарея жинақтарымен пайдаланыңыз.** Кез келген басқа батарея жинақтарын пайдалану жарақат және өрт қаупін төндіруі мүмкін.
- **Батарея жинағы пайдаланылмаған кезде оны қағаз қыстырғыш, тиын, кілт, шеге, бұранда немесе бір түйіспеден екіншісіне жалғама жасай алатын басқа кішкентай металды заттар сияқты металды заттардан алыс ұстаңыз.** Батарея түйіспелерін қысқа мерзімге бірге тұйықтау жануына немесе өртке әкелуі мүмкін.
- **Ретсіз жағдайларда батареядан сұйықтық ағуы мүмкін; оны ұстамаңыз.** Егер абайсызда ұстасаңыз, сумен шайыңыз. Егер сұйықтық көзіңізге тисе, қосымша дәрігерге қаралыңыз. Батареядан аққан сұйықтық тітіркенуге немесе күйікке әкелуі мүмкін.
- **Зақымдалған не түрлендірілген аккумулятор жинағын не құралды пайдаланбаңыз.** Зақымдалған не түрлендірілген аккумуляторларда болжанбайтын әрекет байқалып, өртке, жарылуға не жарақат қаупіне әкелуі мүмкін.
- **Батарея жинағын немесе құралды өрт немесе артық температура әсерінде қалдырмаңыз.** Өрт немесе 265 °F (130 °C) асатын температура әсерінде қалдыру жарылуға әкелуі мүмкін.
- **Барлық зарядтау нұсқауларын орындаңыз және батарея жинағын немесе құралды нұсқауларда көрсетілген температура ауқымынан тыс зарядтамаңыз.** Орынсыз немесе белгіленген ауқымнан тыс температураларда зарядтау аккумуляторды зақымдауы және өрт қаупін арттыруы мүмкін.

### Қызмет көрсету

- **Электр құралына білікті жөндеу маманының тек бірдей қосалқы бөлшектерімен қызмет көрсетуін қадағалаңыз.** Бұл электр құралы қауіпсіздігінің сақталуын қамтамасыз етеді.

## Арнайы қауіпсіздік ақпараты

### ⚠ ЕСКЕРТУ

Бұл бөлімде осы құралға қатысты маңызды қауіпсіздік ақпараты бар.

Пресс құралдарын пайдаланбас бұрын, электр тогының соғу қаупін немесе басқа ауыр жарақат қаупін азайту үшін осы сақтық шараларды мұқият оқыңыз.

### КЕЙІНГІ АНЫҚТАМАЛЫҚ РЕТІНДЕ БАРЛЫҚ ЕСКЕРТУЛЕР МЕН НҰСҚАУЛАРДЫ САҚТАП ҚОЙЫҢЫЗ!

Пайдаланушының пайдалануы үшін осы нұсқаулықты құрылғымен сақтау үшін құралды тасу дорбасында бөлім көзделген.

### Пресс құралының қауіпсіздігі

- **Қысу айналымы барысында саусақтарыңызды және қолдарыңызды қысу саптамаларынан алшақ ұстаңыз.** Саусақтарыңыз немесе қолдарыңыз саптама арасына немесе осы құрамдастар және кез келген басқа зат арасына қысылып қалған кезде езіліп қалуы, жарылуы немесе кесіліп кетуі мүмкін.
- **Зақымдалған қысу саптамаларын (қысқаштар, қысу сақинасы, жетек, т.б.) жөндеуге мүлдем әрекеттенбеңіз. Зақымдалған саптаманы толық лақтырып тастаңыз.** Пісірілген, жерге тұйықталған, бұрғылап тесілген немесе кез келген әдіспен өзгертілген саптама қысу барысында сынып, ауыр жарақатқа әкелуі мүмкін. Қысу саптамасын толық ауыстырмау құрамдастың ақаулығына және ауыр жарақатқа әкелуі мүмкін.
- **Өнімді пайдалану кезінде бөліктерді сындыруы немесе лақтыруы және жарақатқа әкелуі мүмкін көп күш жасалады.** Пайдалану кезінде алыс тұрыңыз және көзді қорғау құралын қоса тиісті қорғаныш жабдығын киіңіз.
- **RIDGID® пресс құралдарын тек тиісті RIDGID немесе RIDGID мақұлдаған қысу саптамаларымен (қысқаштар, қысу сақиналары, жетектер, т.б.) пайдаланыңыз.** Басқаша пайдалану немесе пресс құралдарын басқа қолдану түріне өзгерту пресс құралын зақымдауы, саптамаларды зақымдауы және/немесе дене жарақатына әкелуі мүмкін.
- **Тиісті құрал, саптама және фитинг тіркесімдерін пайдаланыңыз.** Орынсыз тіркесімдер толық жалғануға әкелмеуі мүмкін, нәтижесінде жылыстау, жабдық зақымы және жарақат қаупі артады.
- **RIDGID® пресс құралын пайдаланбас бұрын мынаны оқып түсініңіз:**
  - Осы пайдаланушы нұсқаулығы
  - Саптама нұсқаулары

- Батарея/зарядтағыш нұсқаулығы
- Фитинг өндірушісінің орнату нұсқаулары
- Осы құралмен пайдаланылатын басқа жабдық немесе материал нұсқаулары

Барлық нұсқаулар мен ескертулерді орындамау мүлік зақымына және/немесе ауыр жарақатқа әкелуі мүмкін.

## RIDGID® байланыс ақпараты

Егер осы RIDGID® өніміне қатысты қандай да бір сұрағыңыз болса:

- Жергілікті RIDGID дистрибьюторына хабарласыңыз.
- Жергілікті RIDGID байланыс орнын табу үшін RIDGID.com торабына кіріңіз.
- Ridge Tool техникалық қызмет бөліміне [rttechservices@emerson.com](mailto:rttechservices@emerson.com) арқылы хабарласыңыз немесе АҚШ және Канада аумағында (800) 519-3456 нөміріне қоңырау шалыңыз.

## Сипаттама

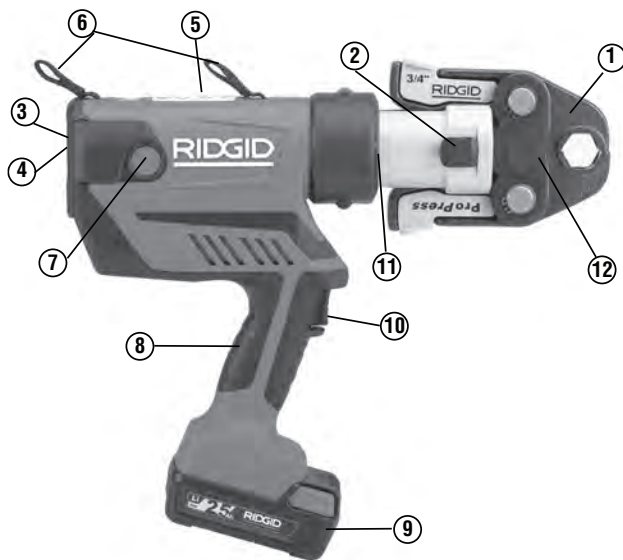
RIDGID® RP 350 және RP 351 пресс құралдары тиісті саптамалармен пайдаланылған кезде сантехникалық, жылытуға, ауаны баптауға және тоңазытуға қолдану сияқты су өткізбейтін және тұрақты тығыздама жасау үшін фитингтерді түтікке механикалық түрде басуға арналады. Саптамалар әрі басқа қолдану түрлеріне қолжетімді.

Пресс құралындағы іске қосу түймесі басылған кезде ішкі электр қозғалтқыш гидравликалық сорғыны іске қосады, ал ол өз кезегінде микбасты алға жылжытып, саптамаға күш салып және фитингті басып, сұйықтықты құрал цилиндріне жеткізеді. Қысу айналымы шамамен 4 секундқа созылады. Айналым фитинг пішінін өзгерте бастаған кезде тіпті іске қосу түймесі босатылғанның өзінде ол аяқталғанша автоматты түрде жалғасады.

Құрал RIDGID Link App арқылы қосуға болатын екінші жұмыс режимін («Басқару режимі») қамтиды. Басқару режимі саптаманың, фитингтің және түтіктің тиісті түрде тураланғанын растау мақсатында қысу алдында фитингті тіркеу мүмкіндігін береді.

Құрал күйінің шамдары құрал күйі, аккумулятор күйі, қызмет көрсету қажеттілігі немесе ретсіз температура сияқты нәрселерді көрсетеді. Іске қосу түймесі басылған кезде жұмыс аумағына жарық беретін жұмыс шамы ҚОСЫЛАДЫ. Шектеулі кеңістіктерде қатынасты жақсарту үшін басты 360° градусқа бұруға болады.

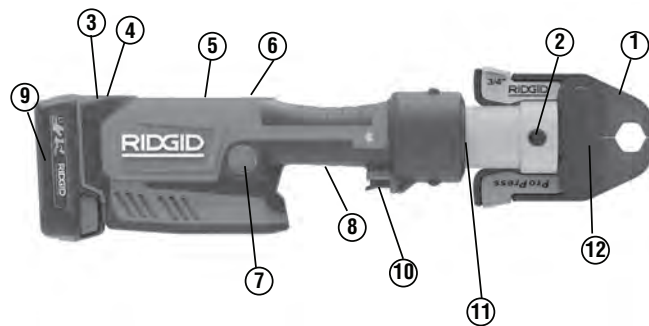
Құралдар иық баулары немесе байлау арқандары сияқты тиісті саптамалармен пайдалануға болатын мата ілмектерімен жеткізіледі.



**1-сурет — RIDGID RP 350 пресс құралы және стандартты сериялы қармауыш**

Пресс құралдары смартфондарға және планшеттерге қосылу мүмкіндігін беретін Bluetooth® сымсыз технологиясын қамтиды. Мәліметтер бойынша «Bluetooth функциялары (Деректерді сымсыз тасымалдау)» бөлімін қараңыз.

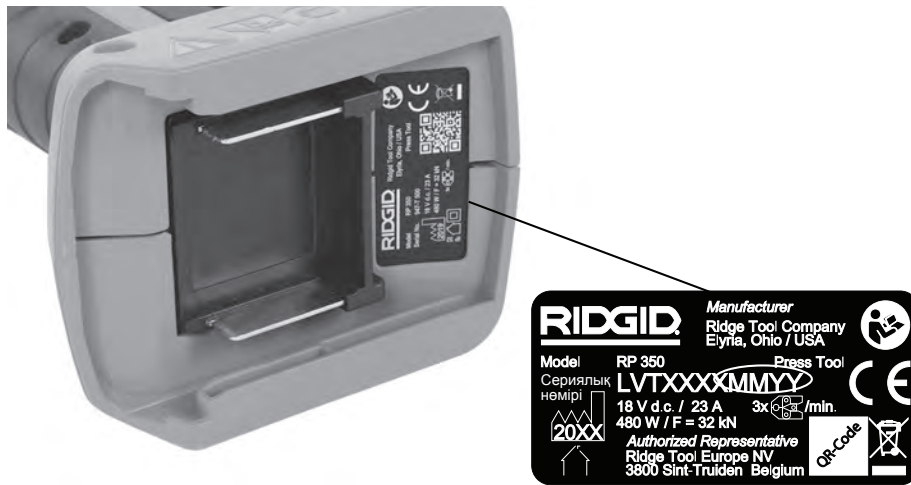
\* Bluetooth® сөз таңбасы және логотиптері Bluetooth SIG, Inc. корпорациясының меншігіндегі тіркелген сауда белгілер болып табылады және Emerson Electric Co. компаниясының осындай таңбаларды пайдалануы лицензия бойынша жүзеге асады. Басқа сауда белгілері және сауда атаулары тиісті иелеріне тиесілі болады.



**2-сурет — RIDGID RP 351 пресс құралы және стандартты сериялы қармауыш**

#	Сипаттама	
1	Қайшы үлгісіндегі қармауыш жинағы	7 Қысымды босату түймесі (RP 351 құрылғысының шеткі жағы)
2	Саптаманы бекіту істікшесі	8 Тұтқа
3	Құрал күйінің шамдары	9 Батарея
4	ҚОСУ/ӨШІРУ түймесі	10 Қосу түймесі
5	Ескерту жапсырмасы (RP 351 құралының төменгі жағы)	11 Диодты жұмыс шамы
6	Мата ілмек	12 Қармауыш бүйірлік тақтасы



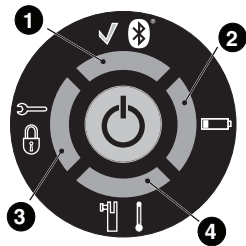


3-сурет — Құрылғының сериялық нөмірі — Дөңгеленген сандар өндірілген жылы мен айын көрсетеді. (YY = жыл, MM= ай).

Басқару тетігі	Таңбалауыш	Сипаттама
Қосу/өшіру түймесі		Негізгі құралдың қуат ажыратқышы. (I = ҚОСУЛЫ, O = ӨШІРУЛІ). ҚОСУЛЫ: Түймені шам ҚОСЫЛҒАНША баса беріңіз. 5-суретті қараңыз — Құрал күйінің шамдары. ӨШІРУЛІ: Түймені шам ӨШКЕНШЕ баса беріңіз. Құрал он (10) минут пайдаланылмай қалған жағдайда автоматты түрде ӨШЕДІ.
Қосу түймесі	—	<b>Жұмыс шамын қосу:</b> Іске қосу түймесін ақырын басыңыз. <b>Қалыпты режим:</b> Қысу айналымын іске қосу үшін іске қосу түймесін басыңыз, құрал құлыпталған кезде босатыңыз. Қалыпты режим зауытта орнатылады. <b>Басқару режимі:</b> Саптаманы жұмыс бөлшегіне тіркеу үшін іске қосу түймесін басыңыз. Қажетінше реттеулер жасаңыз. Қысу айналымын іске қосу үшін іске қосу түймесін қайта басыңыз, құрал құлыпталған кезде босатыңыз. Түймені босату құлыпталған құралды тоқтатпайды. Бұл үздіксіз, қайталанатын қысылатын қосылым тұтастығын қамтамасыз етеді. Режимді RIDGID Link App арқылы өзгертуге болады, <i>Bluetooth функциялары бөлімін қараңыз.</i>
Қысымды босату түймесі		Қысу әрекетін аяқтамай құралды босатуға мүмкіндік береді. Егер пайдаланылса, қысылатын қосылым аяқталмайды және оны қайталау керек болады.
Саптаманы бекіту істікшесі	—	Саптаманы құралда ұстайды. Құралдың жұмыс істеуі үшін толық енгізілу керек. 6-суретті қараңыз.

4-сурет — Басқару тетіктерінің диаграммасы





Шам бөлігінің нөмірі (Шам үздіксіз қосулы)				Сипаттама
1 ✓ Bluetooth	2 [Battery]	3 [Lock]	4 [Power]	
—	—	—	—	Пресс құралы өшірулі (ӨШІРУ).
Жасыл	Жасыл	Жасыл	Жасыл	ҚОСУ түймесі басулы, іске қосылған кезде 4 секунд жанады, құрал «Қалыпты режимде».
Көк	Көк	Көк	Көк	ҚОСУ түймесі басулы, іске қосылған кезде 4 секунд жанады, құрал «Басқару режимінде» — режимді өзгерту үшін <i>Bluetooth функциялары</i> бөлімін қараңыз.
Жасыл	—	—	—	Пресс құралы Қалыпты режимде, күту режимі, пресс құралы пайдалануға дайын.
Қызыл	Сары	Сары	Сары	Құрал ақаулығы орын алған. Құрал іске қосылмайды. Аккумуляторды немесе айнымалы ток адаптерін шығарып алыңыз және қайта салыңыз. Егер бәрібір қосулы болса, құралды қызмет көрсетуге тапсырыңыз.
Қызыл	—	—	—	Құрал ақаулығы орын алған. Құрал іске қосылмайды. Аккумуляторды немесе айнымалы ток адаптерін шығарып алыңыз және қайта салыңыз. Егер қызыл шам бәрібір қосулы болса, құралды қызмет көрсетуге тапсырыңыз.
Сары	—	Қызыл	Қызыл	Құрал және/немесе аккумулятор белгіленген температура ауқымынан тыс. Құрал іске қосылмайды. Құралды және аккумуляторды жұмыс температурасының ауқымын түзетуге апарыңыз.
Сары	—	—	Қызыл	Саптаманы бекіту істікшесі толық енгізілмеген. Құрал іске қосылмайды. Істікшені толық енгізіңіз. Егер шамдар бәрібір қосулы болса, құралды қызмет көрсетуге тапсырыңыз.
Сары	Қызыл	—	—	Батарея қуаты төмен. Құрал іске қосылмайды. Аккумуляторды қайта зарядтаңыз/толық зарядталған аккумуляторды салыңыз.
Жасыл	Көк	Көк	Көк	Bluetooth қосылымы орнатылды, күту режимі, пресс құралы пайдалануға дайын — Қосымша ақпарат бойынша <i>Bluetooth функциялары</i> бөлімін қараңыз.
		Қызылкүрең		Шағын бағдарлама жаңартуы орындалуда, жаңарту кезінде құралды пайдалану мүмкін емес.

5-сурет — Құрал күйінің шамдары

## Техникалық сипаттар

	RP 350 Pistol пресс құралы	RP 351 Inline пресс құралы
Саптамалар .....	RIDGID стандартты сериясы	RIDGID стандартты сериясы
Жүріс ұзындығы .....	1.57 дюйм (40 мм)	1.57 дюйм (40 мм)
Қозғалтқыш		
Кернеу.....	18 В тұрақты ток номиналдық	18 В тұрақты ток номиналдық
Ток күші.....	23 А	23 А
Қуаты .....	480 Вт	480 Вт
Мікбас күші .....	7,200 фунт (32 kN)	7,200 фунт (32 kN)
Бастың айналуы .....	360°	360°
Жұмыс айналымы.....	3 қысу  /мин.	3 қысу  /мин
Қуат көзі .....	RIDGID RB-18XX сериясының 18 В литий-ионды аккумулятор жинағы немесе RIDGID RPA 120/220 айнымалы ток адаптері (Қосымша жабдық бөлімін қараңыз)	

Bluetooth ауқымы .....	33 фут (10 м)	33 фут (10 м)
Рұқсат етілетін ылғалдылық.....	ең көп 80%	ең көп 80%
Жұмыс температурасы ауқымы .....	15°F және 122°F (-10°C және 50°C) аралығында	15°F және 122°F (-10°C және 50°C) аралығында
Сақтау температурасы .....	32°F және 113°F (0°C және 45°C) аралығында	32°F және 113°F (0°C және 45°C) аралығында
Салмағы		
(аккумуляторсыз/саптамасыз).....	7.83 фунт (3,55 кг)	7.83 фунт (3,55 кг)
Өлшемдері .....	11.3 дюйм x 11.0 дюйм x 3.1 дюйм	15.7 дюйм x 4.65 дюйм x 3.1 дюйм
	287 мм x 279 мм x 77 мм	398 мм x 118 мм x 77 мм
Дыбыс қысымы (L <sub>РА</sub> )* .....	<74,5 дБ(А), К=3 дБ(А)	<74,5 дБ(А), К=3 дБ(А)
Діріл* .....	<1,13 м/с <sup>2</sup> , К=1,5	<1,13 м/с <sup>2</sup> , К=1,5

\* Дыбыс және діріл өлшемдері EN 62481-1 стандартына сәйкес келетін стандартталған сынаққа сәйкес өлшенген.

- Діріл деңгейлерін басқа құралдармен салыстыру және әсердің бастапқы бағалауы үшін пайдалануға болады.

- Шығатын дыбыс және діріл орналасқан жеріңізге және осы құралдардың белгілі бір пайдалануына қарай әр түрлі болуы мүмкін.

- Дыбыс пен дірілдің күнделікті әсер деңгейлері әрбір қолдану түріне бағалануы және қажет болғанда тиісті қауіпсіздік шаралары қолға алынуы тиіс. Әсер деңгейлерін анықтаған кезде құрал өшіріліп, пайдаланылмайтын уақыт ескерілуі қажет. Бұл жалпы жұмыс кезеңінде әсер деңгейін едәуір азайтуы мүмкін.

### Стандартты жабдық

Белгілі бір құрал каталогының нөмірлерімен жабдықталған жабдық туралы деректерді RIDGID каталогынан қараңыз.

ЕСКЕРТПЕ! RIDGID пресс құралының саптамалары екі «серияда» ұсынылады

- Стандартты серия
- Шағын серия

Осы саптама сериялары өзара ауыстырылмайды. Стандартты сериялы саптамалар тек стандартты сериялы құралдармен (RP 350, RP 351, RP 342-XL, RP 340, RP 330, 320-E, CT-400) жұмыс істейді. Шағын сериялы саптамалар тек шағын сериялы құралдармен (RP 240, RP 241, RP 200, RP 210, 100B) жұмыс істейді.

**ЕСКЕРТПЕ** Тиісті материалдарды және жалғау әдістерін таңдау жүйе жасақтаушысының және/немесе орнатушысының жауапкершілігіне жатады. Орнату әрекетінің алдында химиялық ортаны және жұмыс температурасын қоса белгілі бір жұмыс ортасын жіті бағалауды орындау қажет. Таңдау ақпараты бойынша қысу фитингі жүйесінің өндірушісіне хабарласыңыз.

### Жұмыс алдында тексеру

#### ⚠ ЕСКЕРТУ



Күнделікті пайдалану алдында электр тогының соғу, езу нәтижесіндегі жарақат, саптаманың істен шығу қаупін және басқа себептерді азайту

және құрал зақымының алдын алу үшін пресс құралын тексеріңіз және кез келген ақаулықтарды түзетіңіз.

1. Құралды ӨШІРІҢІЗ және аккумуляторды/айнымалы ток адаптерін құралдан шығарып алыңыз.
2. Жабдықтан майды, жақпа майды немесе кірді тазалаңыз, әсіресе тұтқалары мен басқару тетіктеріндегі. Бұл тексеруге көмектеседі және құралдың немесе басқару тетіктерінің қысқыштан сырғып кетуіне жол бермейді.

### 3. Пресс құралында мыналарды тексеріңіз:

- Тиісті түрде жинақтау, қызмет көрсету және толықтығы.
- Кез келген сынық, тозған, жоқ, ретсіз немесе жабысқан бөліктер. Мата ілмектерінің тиісті күйде екенін анықтаңыз.
- Толық ашық және толық жабдық күй арасында саптаманы бекіту істікшесінің бірқалыпты жылжуы. Істікше әр күйге бекітілу қажет. Іске қосу түймесінің еркін қозғалатынын және жабыспайтынын анықтаңыз.
- Ескерту белгісінің болуы және оқылуы (6-суретті қараңыз).
- Қауіпсіз және қалыпты жұмыс істеуіне жол бермеуі мүмкін басқа жағдай.

Кез келген ақаулықтар жөнделгенше пресс құралын пайдаланбаңыз.



6-сурет — Күй шамдары/Ескерту жапсырмасы

4. Құрал саптамаларын нұсқауларына сәйкес тексеріңіз және қызмет көрсетіңіз. Саптаманы құралдан алып тастаңыз. Саптамалар күйінің тиісті екенін және пайдалану үшін анық белгіленгенін анықтаңыз.

5. Дұрыс жұмыс істейтініне көз жеткізу үшін басқа кез келген пайдаланылатын жабдықты тексеріңіз және оған өз нұсқауларына сәйкес қызмет көрсетіңіз.

## Орнату және пайдалану

### ⚠ ЕСКЕРТУ



Қысу айналымы кезінде саусақтарыңыз бен қолыңызды құрал саптамасына

жақындатпаңыз. Саусақтарыңыз немесе қолдарыңыз саптамда немесе құралда немесе саптама, жұмыс бөлшегі және басқа заттар арасында езіліп қалуы, жарылуы немесе кесіліп кетуі мүмкін.

Өнімді пайдалану кезінде бөліктерді сындыруы немесе лақтыруы және жарақатқа әкелуі мүмкін көп күш жасалады. Пайдалану кезінде алыс тұрыңыз және көзді қорғау құралын қоса тиісті қорғаныш жабдығын киіңіз.

Тиісті құрал, саптама және фитинг тіркесімдерін пайдаланыңыз. Орынсыз тіркесімдер қысудың толық жалғанбауына әкелуі мүмкін, нәтижесінде жылыстау, жабдық зақымы және жарақат қаупі артады.

Езу және басқа себептерге байланысты жарақат алу қаупін азайту және құрал зақымының алдын алу үшін **Орнату және Пайдалану нұсқауларын орындаңыз.**

1. Жұмыс аумағының тиісті екенін анықтаңыз (*Электр құралының жалпы қауіпсіздік ескертулерін қараңыз*). Таза, тегіс, орнықты және құрғақ орында пайдаланыңыз. Құралды суда тұрғанда пайдаланбаңыз.
2. Орындалатын жұмысты тексеріңіз және техникалық сипаттарына қарай қолдануға жарамды RIDGID құралын және RIDGID саптамасын анықтаңыз. Қолдануға жарамсыз жабдықты пайдалану жарақатқа әкелуі, құралды зақымдауы және жалғамалардың толық болмауына әкелуі мүмкін.
3. Барлық жабдықтың нұсқауларға сәйкес тексеріліп, орнатылғанын растаңыз.

### Саптаманы алып тастау/орнату

1. Құралды ӨШІРІҢІЗ және аккумуляторды/айнымалы ток адаптерін құралдан шығарып алыңыз.
2. Саптаманы бекіту істікшесін толық ашыңыз. Тиісті саптаманы алып тастаңыз/енгізіңіз (*7-сурет*).
3. Саптаманы бекіту істікшесін жабық күйіне құлыпталғанша толық жабыңыз. Пайдалану кезінде құрал зақымының алдын алу үшін саптаманы бекіту істікшесі толық жабылу керек. Көрсету үшін құрал шамдары жанады, *Құрал күйінің шамдары бойынша 5-суретті қараңыз.*

**ЕСКЕРТПЕ!** Құралды саптамасыз пайдаланбаңыз, бұл құралды зақымдауы мүмкін.



7-сурет – Саптаманы бекіту істікшесі

### Қосылымды дайындау

**ЕСКЕРТПЕ** Бұл нұсқаулар пресс құралы саптамаларының бірнеше түріне арналған жалпыланған әдістер болып табылады. Орынсыз қысылатын қосылымдар және ірі мүлік зақымы қаупін азайту үшін пайдаланылатын пресс құралы саптамасының нұсқауларын және фитинг өндірушісінің орнату нұсқауларын үнемі орындаңыз.

1. Қысылатын қосылымды фитинг өндірушісінің нұсқауларына сәйкес дайындаңыз.
2. Құрғақ қолыңызбен толық зарядталған аккумуляторды немесе айнымалы ток адаптерін құралға салыңыз. Егер сымды қуат адаптері GFCI құралымен бірге пайдаланылса, GFCI (RCD) құралының номиналдық қалдық тогы 30 мА не одан кем болады. Құралды ҚОСУ үшін ҚОСУ/ӨШІРУ түймесін бір рет басыңыз. Құралдың пайдалануға дайын екенін білдіретін барлық диодты шамдар жасыл түспен жанады. *5-суретті қараңыз* — Кез келген басқа жарық бойынша құрал күйінің шамдары.

## Фитингті қалыпты қайшы тәрізді қармауышпен қысу

1. Құралды екі қолыңызбен дұрыстап ұстаңыз.

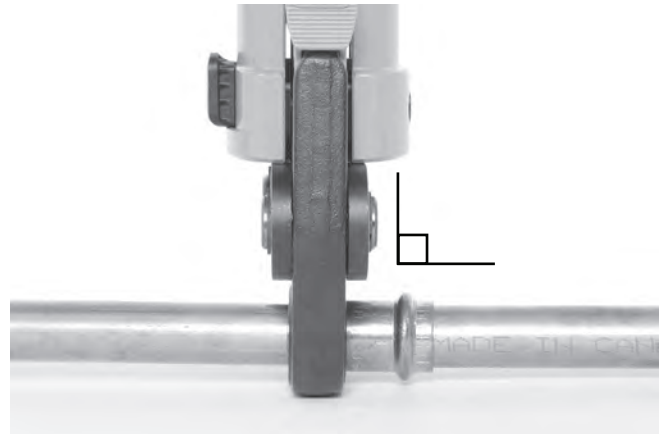


8-сурет — Құралды ұстау

2. Қармауыштарды ашу үшін қармауыш иіндерін сығыңыз.
3. Ашық қармауыштарды фитинг айналасына орналастырыңыз (9-сурет). Қармауыштың қысу сұлбасын Фитинг өндірушісінің орнату нұсқауларында көрсетілгендей фитинг контурымен тиісті түрде туралаңыз. Фитинг айналасындағы қармауыштарды жабу үшін қармауыш иіндерін босатыңыз. Қармауыш жинағын фитингтен ілмеңіз. Құрал күтпеген жерден құлап, ауыр жарақатқа немесе өлімге әкелуі мүмкін.



9-сурет – Қайшы тәрізді қармауыштарды фитинг айналасына орналастыру



10-сурет – Фитингпен бір деңгейдегі қармауыштар

4. Қармауыштың тиісті түрде орналастырылғанын және фитингпен бір деңгейде екенін растаңыз (10-сурет). Қармауыштарда немесе қармауыш пен айналадағы нәрселер арасында езілу нәтижесіндегі жарақаттың алдын алу үшін саусақтарыңыз бен қолыңызды қармауышқа жақындатпаңыз.

**Қалыпты режим:** Іске қосу түймесін басыңыз (1 және 2-суреттер). Құрал айналымы басталып, аунақшалар қармауыш иіндеріне тиген кезде құрал құлыпталады және айналымды автоматты түрде аяқтайды. Түймені босату құлыпталған құралды тоқтатпайды. Бұл үздіксіз, қайталанатын қысылатын қосылым тұтастығын қамтамасыз етеді.

**Басқару режимі:** Іске қосу түймесін басыңыз (1 және 2-суреттер). Қармауыштар фитингті тіркейді, бірақ қысылатын қосылым жасалмайды. Қажетінше реттеулер жасаңыз. Іске қосу түймесін қайта басыңыз, құрал құлыпталады және айналымды автоматты түрде аяқтайды. Түймені босату құлыпталған құралды тоқтатпайды. Бұл үздіксіз, қайталанатын қысылатын қосылым тұтастығын қамтамасыз етеді.

Егер құралды қысылатын қосылымды аяқтамай тұрып алып тастау керек болса, қысымды түсіру түймесін басыңыз (1 және 2-суреттер).

**ЕСКЕРТПЕ** Түсіру түймесі басылған сайын қысылатын қосылым АЯҚТАЛМАҒАН және аяқтау үшін фитингті қайта басу керек болады. Егер құрал пайдалану барысында істен шықса, осы рәсімді пайдаланыңыз.

5. Іске қосу түймесін босатыңыз.
6. Қармауыштарды ашу үшін қармауыш иіндерін сығыңыз.
7. Қармауышты фитингтен алып тастаңыз. Қысу әрекеті барысында фитингте түзілуі мүмкін үшкір жиектерге жол бермеңіз.
8. Әрекет аяқталған кезде құралды ӨШІРУ үшін ҚОСУ/ӨШІРУ түймесін бір рет басыңыз. Аккумуляторды немесе айнымалы ток адаптерін құралдан алып тастаңыз.



## Фитингті қалыпты жетек пен басу сақиналары жиынтығымен басу

1. Сақинаны ашыңыз және фитингтің айналасына орналастырыңыз. Сақинаның қысу сұлбасын *Фитинг өндірушісінің орнату нұсқауларында* көрсетілгендей фитинг контурымен тиісті түрде туралаңыз. Фитинг айналасын жабу үшін сақинаны босатыңыз (*11-сурет*).
2. Құралда тиісті жетектің дұрыс орнатылғанын растаңыз. Жетек ұштарын ашу үшін жетек иіндерін қысыңыз. Жетек ұштарын сақина қалташаларымен туралаңыз. Жетек иіндерін босатыңыз және жетек ұштарын сақина қалташаларына барынша енгізіңіз (*12-сурет*). Жетек ұшының сақина қалташасымен тураланбауы басқан кезде сақинаны немесе жетекті зақымдауы мүмкін. Құрал мен жетекті басу сақинасынан ілмеңіз. Құрал күтпеген жерден құлап, ауыр жарақатқа немесе өлімге әкелуі мүмкін.



11-сурет — Басу сақинасын фитингке орнату



12-сурет — Жетекті басу сақинасына тіркеу

3. Сақинаның тиісті түрде орналастырылғанын және фитингпен бір деңгейде екенін растаңыз. Саптамада немесе саптама пен айналадағы нәрселер арасында езілу нәтижесіндегі жарақаттың алдын алу үшін саусақтарыңыз бен қолыңызды жетек пен сақинаға жақындатпаңыз.

**Қалыпты режим:** Іске қосу түймесін басыңыз (*1 және 2-суреттер*). Құрал айналымы басталып, аунақшалар қармауыш иіндеріне тиген кезде құрал құлыпталады және айналымды автоматты түрде аяқтайды. Түймені босату құлыпталған құралды тоқтатпайды. Бұл үздіксіз, қайталанатын қысылатын қосылым тұтастығын қамтамасыз етеді.

**Басқару режимі:** Іске қосу түймесін басыңыз (*1 және 2-суреттер*). Қармауыштар фитингті тіркейді, бірақ қысылатын қосылым жасалмайды. Қажетінше реттеулер жасаңыз. Іске қосу түймесін қайта басыңыз, құрал құлыпталады және айналымды автоматты түрде аяқтайды. Түймені босату құлыпталған құралды тоқтатпайды. Бұл үздіксіз, қайталанатын қысылатын қосылым тұтастығын қамтамасыз етеді.

4. Егер құралды қысылатын қосылымды аяқтамай тұрып алып тастау керек болса, қысымды түсіру түймесін басыңыз (*1 және 2-суреттер*).

**ЕСКЕРТПЕ** Түсіру түймесі басылған сайын қысу АЯҚТАЛМАҒАН және аяқтау үшін қысылатын қосылымды қайта басу керек болады. Егер құрал пайдалану барысында істен шықса, осы рәсімді пайдаланыңыз.

5. Іске қосу түймесін босатыңыз.
6. Жетекті ашу үшін жетек иіндерін қысыңыз. Жетекті фитингтен алып тастаңыз.
7. Сақинаны фитингтен алып тастаңыз. Қысу әрекеті барысында фитингте түзілуі мүмкін үшкір жиектерге жол бермеңіз.
8. Әрекет аяқталған кезде құралды ӨШІРУ үшін ҚОСУ/ӨШІРУ түймесін бір рет басыңыз. Аккумуляторды немесе айнымалы ток адаптерін құралдан алып тастаңыз.

## Басылған қосылымды тексеру

1. Қысылған фитингте мыналарды тексеріңіз:
    - Түтікті фитингке толық енгізу.
    - Түтіктердің шамадан көп ауытқуы. Қысылған қосылымдағы аздаған ауытқу қалыпты болып есептеледі.
    - Саптаманың фитинг контурымен дұрыс тураланбауы. Бұрмаланған немесе пішіні өзгертілген фитинг.
    - Фитинг өндірушісінің басқа мәселелері. Бұл басқару сақинасын немесе жапсырманы (қосылымның әлі қысылмағанын білдіру үшін пайдаланылатын) алып тастауды қамтуы мүмкін.
- Егер ақаулықтар анықталса, фитингті алып тастаңыз және жаңа қысылатын қосылымды орнатыңыз.
2. Қысылатын қосылымды қосқыш өндірушісінің нұсқауларына, қалыпты әдістерге және қолданылатын ережелерге сәйкес сынаңыз.



## Bluetooth функциялары (Деректерді сымсыз тасымалдау)

RIDGID® RP 350 және RP 351 пресс құралдары iOS немесе Android операциялық жүйесі орнатылған тиісті түрде жабдықталған смартфондарға немесе планшеттерге (“құрылғылар”) деректерді сымсыз тасымалдау мүмкіндігін беретін Bluetooth® сымсыз технологиясын қамтиды.

1. RIDGID.com/apps торабына, Google Play Store немесе Apple App Store қызметіне өтіп, тиісті RIDGID® Link App бағдарламасын құрылғыңызға жүктеп алыңыз.
2. Құрал ҚОСЫЛҒАН кезде Bluetooth сымсыз технологиясының қолдауы бар құрылғы пресс құралын тауып, онымен жұптаса алады. Құрылғының Bluetooth параметрлерінде қажетті RIDGID құралын таңдаңыз. Bluetooth сымсыз технологиясы арқылы қосылу туралы нақты ақпарат бойынша құрылғы нұсқауларын қараңыз. Қосылған кезде жасыл-көк-көк-көк құрал күйінің шамдары жанады. Бастапқы жұптастырудан кейін Bluetooth сымсыз технологиясы қосылып, ауқым шегінде болған кезде және құрылғы параметрлері осыған конфигурацияланған кезде құрылғылардың көбісі құралдарға автоматты түрде қосылады. Анықталу үшін пресс құралдары құрылғыдан 33 футтан (10 м) кем қашықтықта болуы қажет. Құрал және құрылғы арасындағы кедергі жұмыс істеу ауқымын азайтуы мүмкін.
3. Бағдарламаның тиісті пайдалану нұсқауларын орындаңыз. Жұмыс режимін бағдарлама арқылы өзгертуге болады. Соңдай-ақ бағдарлама құрал айналымдарын бақылау мүмкіндігін береді.
4. Пресс құралы ӨШІРІЛГЕН кезде деректерді сымсыз тасымалдау ӨШЕДІ. Құрылғы аккумуляторының қуатын үнемдеу үшін Bluetooth сымсыз құрылғысын ӨШІРІҢІЗ.

## Суық ауа-райында пайдалану

Температура төмендеген кезде гидравликалық сұйықтық қоюланады және аккумулятор өнімділігі нашарлайды. Орынсыз пайдалану қаупін азайту үшін, RP 350 және RP 351 құрал күйінің шамдары көрсететін белгіленген температура ауқымынан тыс істемейді (5-сурет).

Қоршаған орта жағдайлары белгіленген температура ауқымынан тыс болған кезде құрал мен аккумуляторларды пайдалануға дайын болғанша желдетілетін орында сақтаңыз.

## Сақтау

Аккумуляторды немесе айнымалы ток адаптерін пресс құралынан алып тастаңыз. Пресс құралын және аккумуляторды сауытында сақтаңыз. Шектік жылу немесе суық температурада сақтаудан аулақ болыңыз. Егер құрал белгіленген ауқымнан тыс болса, құрал ҚОСЫЛМАЙДЫ. Бұл құрал күйінің шамдарымен көрсетіледі. (5-суретті қараңыз)

**⚠ ЕСКЕРТУ** Құралды балалардың қолы жетпейтін және пресс құралдарымен таныс емес адамдардан алшақ, құрғақ, бекітілген, құлыптаулы аумақта сақтаңыз. Құрал оқудан өтпеген пайдаланушылар қолында қауіпті болады.

## Техникалық қызмет көрсету нұсқаулары

### ⚠ ЕСКЕРТУ

Қызмет көрсетуді орындау немесе реттеу жасау алдында құралдың ӨШІРІЛГЕНІНЕ және аккумулятордың немесе айнымалы ток адаптерінің құралдан алынып тасталғанына көз жеткізіңіз.

### Тазалау және майлау

1. Құралды күнде таза құрғақ шүберекпен сүртіп шығыңыз.
2. Саптаманы бекіту істікшесін тексеріңіз және қажет болған кезде істікшені силикон жақпа маймен майлаңыз.
3. Әр пайдаланған кезде саптамалардағы қайтымды серіппелерді тексеріңіз. Саптамалар саусақтың сәл қимылымен еркін ашылуы және жабылуы керек.

## Қызмет көрсету және жөндеу

### ⚠ ЕСКЕРТУ

Орынсыз қызмет көрсету немесе жөндеу құрал пайдалануын қауіпті етуі мүмкін.

RP 350 және RP 351 пресс құралдарының қызмет көрсетуін және жөндеуін RIDGID тәуелсіз пресс құралына қызмет көрсету орталығы жүргізуі тиіс.

Ең жақын RIDGID өкілетті тәуелсіз қызмет орталығы немесе кез келген қызмет көрсету не жөндеу сұрақтары бойынша ақпарат бойынша осы нұсқаулықтағы *Байланыс ақпараты* бөлімін қараңыз.

**Ақаулықтарды жою**

<b>БЕЛГІ</b>	<b>ЫҚТИМАЛ СЕБЕПТЕРІ</b>	<b>ШЕШІМІ</b>
<b>ҚОСУ/ӨШІРУ түймесі басылған кезде құрал ҚОСЫЛМАЙДЫ.</b>	<p>Батарея толық разрядталған немесе батарея істен шыққан.</p> <p>Батарея құрал тұтқасына дұрыс енгізілмеген</p> <p>Айнымалы ток адаптері құралға дұрыс салынбаған.</p>	<p>Толық зарядталған батареяны салыңыз/ батареяны зарядтаңыз.</p> <p>Батареяның толық енгізілгенін тексеріңіз.</p> <p>Айнымалы ток адаптерін құралға дұрыстап салыңыз.</p>
<b>Саптама фитингке бекітілген.</b>	<p>Қысылатын қосылым сәтті орындалмады.</p>	<p>Қармауыштарды фитингтен алып тастау үшін қысымды түсіру түймесін басыңыз. Фитингтерді тексеріңіз және қайта басыңыз.</p>
<b>Қысып алынған қосылымдар толық емес.</b>	<p>Түтік өлшеміне немесе материалына пайдаланылған қармауыш жарамсыз.</p> <p>Құрал түтікпен бір деңгейде болмады.</p> <p>Саптаманың қысу контуры фитинг контурымен тураланбаған.</p> <p>Құрал жөндеуді қажет етеді.</p>	<p>Тиісті саптаманы орнатыңыз.</p> <p>Қысылатын қосылымды жаңа фитингпен және жаңа түтікпен қайта жасаңыз. Құралдың түтікпен перпендикуляр күйде болуын қамтамасыз етіңіз.</p> <p>Жалғаманы жаңа түтікпен және жаңа фитингпен қайта жасаңыз. Саптаманың қысу контурының фитинг контурымен туралануын қамтамасыз етіңіз.</p> <p>Қызмет көрсетуге апарыңыз.</p>
<b>Құралдан май ағады.</b>	<p>Тығыздама немесе механикалық ақаулықтар.</p>	
<b>Қозғалтқыш іске қосылады, бірақ айналымды аяқтамайды.</b>	<p>Май деңгейі төмен.</p>	<p>Қызмет көрсетуге апарыңыз.</p>
<b>Құрал пайдаланған кезде тоқтап қалады.</b>	<p>Май деңгейі төмен.</p>	

**5-суретті қараңыз – Құрал күйінің шамдары**

## Қосымша жабдық

### ⚠ ЕСКЕРТУ

Ауыр жарақат қаупін азайту үшін төменде көрсетілген RP 350 және RP 351 пресс құралдарымен пайдалануға арнайы жасақталған және кеңес етілген қосалқы жабдықты ғана пайдаланыңыз.

Аккумулятор және адаптер жинақтары

Каталог нөмірі	Сипаттама
56513	RB-1825 18 В 2,5 А-с литий-ионды аккумулятор
56518	RB-1850 18 В 5,0 А-с литий-ионды аккумулятор
44468	120 айнымалы ток адаптері — Солтүстік Америка
43338	220 айнымалы ток адаптері — Еуропа
44823	120 айнымалы ток адаптері — Қытай

Зарядтағыштар және сымдар

Каталог нөмірі.		Аймақ	Аша түрі
64383	RBC-30 зарядтағышы	Солтүстік Америка	А
56523	RBC-30 зарядтағышы	Еуропа	С
64388	RBC-30 зарядтағышы	Қытай	А
64393	RBC-30 зарядтағышы	Австралия	І
64378	RBC-30 зарядтағышы	Жапония	А
64398	RBC-30 зарядтағышы	Ұлыбритания	Г
64173	RBC-30 зарядтағыш сымы	Солтүстік Америка	А
64183	RBC-30 зарядтағыш сымы	Еуропа	С

Осы құралдар үшін қол жетімді RIDGID жабдығының толық тізімі үшін Ridge Tool электрондық каталогын RIDGID.com торабында қараңыз немесе *Байланыс ақпараты* бөлімін қараңыз.

## Тастау

Осы құралдар бөліктерінде құнды материалдар бар және оларды қайта өңдеуге болады. Жергілікті жерде орналасқан қайта өңдеумен айналысатын компаниялар бар. Құрамдастарды барлық қолданылатын талаптарға сәйкес кәдеге жаратыңыз. Қосымша ақпарат алу үшін жергілікті қалдықтарды реттеу ұйымына хабарласыңыз.



**ЕО елдері үшін:** Электр жабдығын тұрмыстық қоқыстармен бірге тастамаңыз!

Еуропа елдерінің 2012/19/ЕО Қалдық электр және электрондық жабдық бойынша нұсқаулығына және оның ұлттық заңдарға ендірілуіне сәйкес, бұдан әрі пайдаланылмайтын электр жабдығы жеке жиналып, қоршаған ортаға зиян келтірмейтіндей тасталуы керек.

## Электромагниттік үйлесімділік (ЭМУ)

Электромагниттік үйлесімділіктермині өнімнің электромагниттік сәулелену мен электростатикалық разрядтар бар ортада бірқалыпты жұмыс істеу және басқа жабдыққа электромагниттік кедергі тудырмау қабілетін білдіреді.

**ЕСКЕРТПЕ** Осы құралдар барлық қолданылатын ЭМУ стандарттарына жауап береді. Алайда, басқа құрылғыларға кедергі тудырудың алдын алу мүмкін емес. Тексерілген барлық ЭМУ стандарттары құралдың техникалық құжатында аталған.

## FCC/ICES мәлімдемесі

Бұл құрылғы FCC ережелерінің 15 Бөлімі талаптарына жауап береді. Жұмыс істеуі мына екі шартқа байланысты:

1. Бұл құрылғы зиянды кедергі келтірмейді.
2. Бұл құрылғы қаламаған әрекетке әкелуі мүмкін кедергіні қоса алынатын кедергіні қабылдауы керек.

Осы компания тікелей мақұлдамаған модификациялар пайдаланушының жабдықты пайдалану құқығын жоққа шығаруы мүмкін.

Бұл жабдық сынақтан өткен және FCC ережелерінің 15-бөліміне сәйкес А санатты сандық құрылғылардың шектеулеріне сәйкестігі расталған. Жабдық өнеркәсіптік ортада пайдаланылған кезде бұл шектеулер зиянды кедергілерден тиісті қорғаумен қамтамасыз етуге арналған. Бұл жабдық радиожилік қуатын жасайды, пайдаланады және шығара алады және осы пайдалану нұсқаулығына сай емес орнатылған және пайдаланылған жағдайда радиобайланыстарға зиянды кедергі келтіруі мүмкін. Осы жабдықты тұрғын аймақта пайдалану зиянды кедергі тудыруы ықтимал, бұл жағдайда пайдаланушы кедергіні өз есебінен түзетуі тиіс.

Осы өнім Канаданың ICES-003 А санатының техникалық сипаттарына жауап береді. *Құралдағы Декларация белгісін қараңыз.*

**RIDGID® RP 350/RP 351 Press Tools**

RIDGE TOOL COMPANY  
400 Clark Street  
Elyria, Ohio 44035-6001  
U.S.A.

Ridge Tool Europe NV (RIDGID)  
Ondernemerslaan 5428  
3800 Sint-Truiden  
Belgium

**EC DECLARATION OF CONFORMITY**

We declare that the machines listed above, when used in accordance with the operator's manual, meet the relevant requirements of the Directives and Standards listed below.

**DÉCLARATION DE CONFORMITÉ CE**

Nous déclarons que lorsqu'elles sont utilisées selon leur mode d'emploi, les machines indiquées ci-dessus répondent aux exigences applicables des directives et normes ci-après.

**DECLARACIÓN DE CONFORMIDAD DE LA CE**

Declaramos que las máquinas listadas más arriba, cuando se usan conforme al manual del operario, cumplen con los requisitos pertinentes de las directrices y normas listadas a continuación.

**PROHLÁŠENÍ O SHODĚ ES**

Prohlašujeme, že výše uvedené nástroje a zařízení splňují při použití v souladu s jejich návodem k obsluze příslušné požadavky níže uvedených směrnic a nařízení.

**EF-OVERENSSTEMMELSESESKLÆRING**

Vi erklærer, at de ovenfor anførte maskiner, ved brug i overensstemmelse med brugervejledningen, opfylder de relevante krav i de nedenfor anførte direktiver og standarder.

**EG KONFORMITÄTSESKLÄRUNG**

Wir erklären, dass die oben aufgeführten Maschinen, wenn sie entsprechend der Bedienungsanleitung verwendet werden, die einschlägigen Anforderungen der folgenden Richtlinien und Normen erfüllen.

**ΔΗΛΩΣΗ ΣΥΜΜΟΡΦΩΣΗΣ ΕΚ**

Δηλώνουμε ότι τα μηχανήματα που αναφέρονται παραπάνω, όταν χρησιμοποιούνται σύμφωνα με το εγχειρίδιο χειρισμού, πληρούν τις σχετικές απαιτήσεις των παρακάτω Οδηγιών και Προτύπων.

**EY-VAATIMUSTENMUKAISUUSVAKUUTUS**

Vakuutamme, että edellä luetellut koneet täyttävät käyttöohjeikirjan mukaisesti käytettynä seuraavien direktiivien ja standardien vaatimukset.

**EU IZJAVA O SUKLADNOSTI**

Izjavljujemo da su gore navedeni strojevi, kada se koriste u skladu s priručnikom za korisnike, sukladni s relevantnim zahtjevima dolje navedenih direktiva i standarda.

**EK MEGFELELŐSÉGI NYILATKOZAT**

Kijelentjük, hogy a fent felsorolt gépek - amennyiben a kezelési útmutatónak megfelelően használják őket - megfelelnek az alább felsorolt irányelvek és Szabványok követelményeinek.

**DICHIARAZIONE DI CONFORMITÀ CE**

Dichiariamo che le macchine elencate in alto, se utilizzate in conformità con il manuale dell'operatore, soddisfano i relativi requisiti delle Direttive e degli Standard specificati di seguito.

**EO СӘЙКЕСТІК МӘЛІМДЕМЕСІ**

Біз жоғарыда көрсетілген құрылғылардың пайдаланушы нұсқаулығына сәйкес пайдаланылған жағдайда төменде көрсетілген Директивалар мен Стандарттардың тиісті талаптарына жауап беретінін мәлімдейміз.

**EG-CONFORMITEITSVERKLARING**

Hierbij verklaren wij dat de hierboven vermelde machines, mits gebruikt in overeenstemming met de handleiding, voldoen aan de relevante eisen van de hieronder vermelde richtlijnen en normen.

**CE-SAMSVARERKLÆRING**

Vi erklærer at maskinene oppført over oppfyller de relevante kravene i direktiver og standarder oppført under dersom de brukes i henhold til bruksanvisningen.

**DEKLARACJA ZGODNOŚCI WE**

Deklarujemy, że maszyny wymienione powyżej, gdy są używane zgodnie z podręcznikiem użytkownika, spełniają właściwe wymagania Dyrektyw i Standardów, wymienione poniżej.

**DECLARAÇÃO DE CONFORMIDADE CE**

Declaramos que as máquinas listadas acima, quando utilizadas de acordo com o manual do operador, cumprem os requisitos relevantes das Diretivas e Normas listadas abaixo.

**DECLARAȚIE DE CONFORMITATE CE**

Declarăm că mașina specificată mai jos, atunci când este utilizată în conformitate cu manualul de exploatare, îndeplinește cerințele relevante ale Directivelor și standardelor specificate mai jos.

**ДЕКЛАРАЦИЯ СООТВЕТСТВИЯ ЕС**

Мы заявляем, что инструменты, перечисленные выше, при условии использования согласно руководству по эксплуатации, отвечают соответствующим требованиям указанных ниже директив и стандартов.

**ES PREHLÁŠENIE O ZHODE**

Vyhlasujeme, že stroje uvedené vyššie spĺňajú relevantné požiadavky smerníc a noriem uvedených nižšie, ak sa používajú podľa návodu na použitie.

**IZJAVA ES O SKLADNOSTI**

Izjavljamo, da zgoraj omenjeni stroji, ko se uporabljajo skladno z uporabniškim priručnikom, izpolnjujejo relevantne zahteve spodaj omenjenih direktiv in standardov.

**EC DEKLARACIJA O USAGLAŠENOSTI**

Izjavljujemo da gore navedeni strojevi, ako se koriste u skladu s priručnikom za korisnike, zadovoljavaju relevantne zahteve direktiva i standarda koji se navode dole.

**EG-FÖRSÄKRAN OM ÖVERENSSTÄMMELSE**

Vi meddelar att maskinen som anges ovan uppfyller de aktuella kraven i de angivna direktiven och standarderna nedan när den används enligt bruksanvisningen.

**AB UYGUNLUK BEYANI**

Yukarıda listelenen makinelerin, kullanıcı kılavuzuna göre kullanıldığında, aşağıda listelenen Direktiflerin ve Standartların ilgili gereksinimlerini karşıladığını beyan ederiz.

**EÜ VASTAVUSDEKLARATSIOON**

Kinnitame, et eelpool loetletud masinad vastavad allpool loetletud direktiivide ja standardite asjakohastele nõuetele, kui neid kasutatakse vastavalt kasutusjuhendile.

**EK ATBILSTĪBAS DEKLARĀCIJA**

Mēs apliecinām, ka iepriekšminētās iekārtas, izmantojot tās saskaņā ar operatora rokasgrāmatu, atbilst attiecīgajām tālāk norādīto direktīvu un standartu prasībām.

**DEARBHÚ COMHRÉIREACHTA AN CE**

Fógraímid go bhfuil na hinnill sa liosta thuas i gcomhréir le riachtanais ábhartha na dTeoracha agus na gCaighdeán sa liosta thíos, ach iad a úsáid de réir an lámhleabhair don oibreoir.

**EB ATITIKTIES DEKLARACIJA**

Deklaruojame, kad pirmiau išvardytos mašinos, jei naudojamos pagal naudotojo vadovą, atitinka atitinkamus toliau išvardytą direktivų ir standartų reikalavimus.

**EO ДЕКЛАРАЦИЯ ЗА СЪОТВЕТСТВИЕ**

Декларираме, че изброените по-горе машини, когато се използват в съответствие с Ръководство за оператора, отговарят на съответните изисквания на директивите и стандартите, изброени по-долу.



2006/42/EC, 2014/30/EU, 2011/65/EU  
IEC 62841-1, EN 61000-6-1, EN 61000-6-3



Complies with UL 62841-1  
csa c22.2 No. 62841-1



Signature: *Harald Krondorfer*  
Name: Harald Krondorfer  
Qualification: V.P. Engineering  
Date: 09/01/2020





FULL LIFETIME WARRANTY (garantie légale étendue à la durée de vie du produit,  
voir conditions de garantie / legal warranty extended to the product lifecycle,  
see warranty conditions)

**For Warranty Information for your World Region  
visit [RIDGID.com](http://RIDGID.com)**

**Ridge Tool Europe NV (RIDGID)**

Ondernemerslaan 5428  
3800 Sint-Truiden  
Belgium  
Tel.: +32 (0)11 598 620  
[RIDGID.com](http://RIDGID.com)

Printed 09/20  
EC44835/11

© 2020 RIDGID, Inc.  
The Emerson logo and RIDGID logo are registered trademarks of Emerson Electric Co. or RIDGID, Inc. in the U.S. and other countries.  
All other trademarks belong to their respective holders.

999-995-220.09  
REV.B

**RIDGID**

  
**EMERSON**