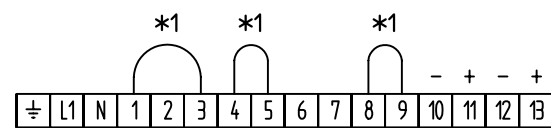
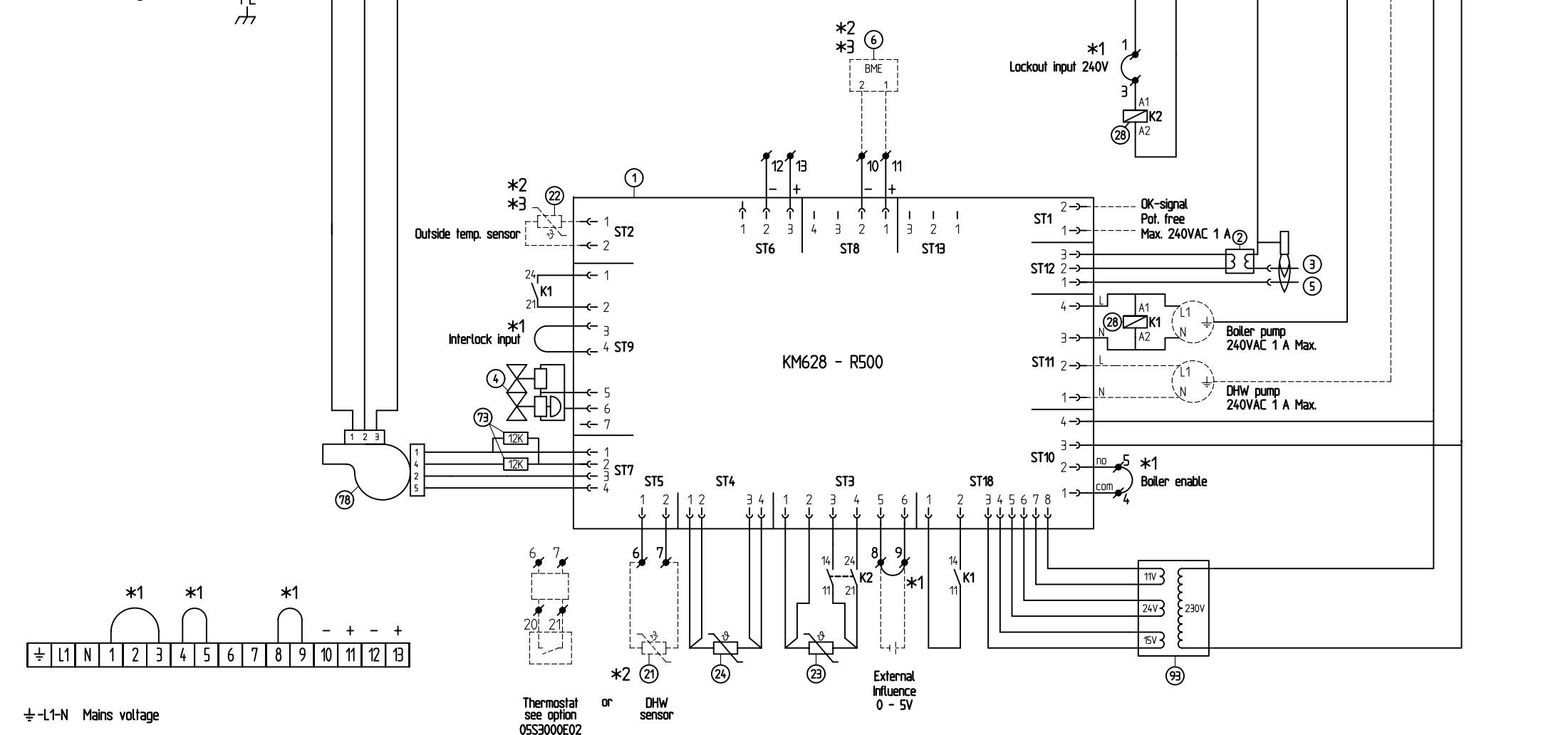


240VAC +10% -15%  
50Hz +/- 5%  
Fuse 6A



- ⚡-L1-N Mains voltage
- Watch! Phase sensitive
- 1-3 Lockout input
- 4-5 Boiler enable
- 6-7 Direct hot water sensor
- 8-9 External influence 0-5V
- 10-11 Scm bus
- 12-13 PWM pump

Thermostat  
see option  
05S3000E02

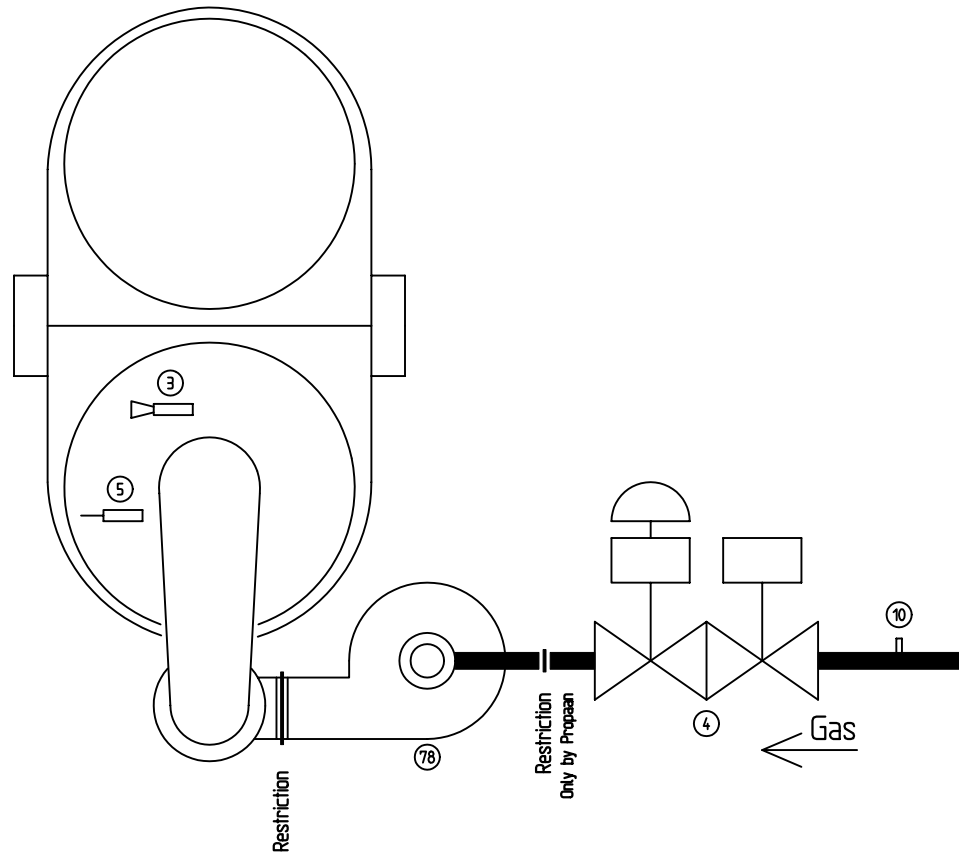
or

DHW  
sensor

External  
influence  
0 - 5V

- \*1 By connection remove jumper.
- \*2 Optional, for order see parts list.
- \*3 Along with option weather compensated regulation.

A	01-12-2003 R.L.	Wiring diagram Serie R30 type 100		DAT. 18-11-2003 GET. R.L. GEC. E.H.	B3100E02 A B C	Page 1 - 2
B	24-11-2004 R.L.					
C	13-01-2005 R.L.					



A	01-12-2003 R.L.	Gas train Serie R30 type 100	DAT. 18-11-2003	B3100E02	Page							
B	24-11-2004 R.L.		GET. R.L.		2 - 2							
C	13-01-2005 R.L.		GEC. R.L.		A	B	C					