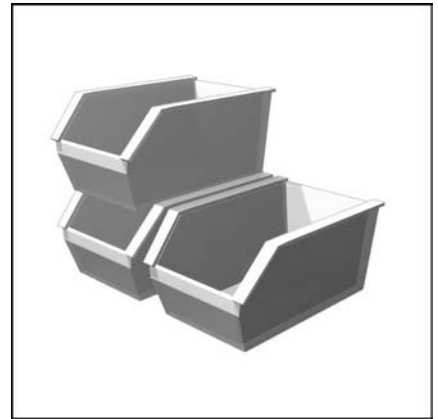




Spare Parts List R2000



This spare parts list has been made according to the latest production models. For articles not mentioned in this list, please contact the Rendamax Sales department with the boiler serial number and a part number and/or description of the article.

Edition 11-2007

© 2007 Rendamax B.V.

All rights reserved.

No part of this publication may be copied and/or published by means of printing, photocopying, microfilming, or by electronic means, on tape or in any other manner whatsoever without the prior permission of Rendamax B.V. in writing.

We are engaged in a constant effort to improve our products. As a result of this process, the products may deviate slightly from the descriptions contained in the present document. Rendamax B.V. accepts no liability whatsoever for differences between the products delivered and the information contained in the present document.

Heat Exchangers & Parts

Pos		R2017	R2022	R2028	R2034	R2041	R2048
1.1	Heat exchanger Complete CV 110°	2017W199AS	2022W199AS	2028W199AS	2034W199AS	2041W199AS	2048W199AS
1.1	Heat exchanger Complete CV 115° + 120°	2017W199BS	2022W199BS	2028W199BS	2034W199BS	2041W199BS	2048W199BS
1.1	Heat exchanger Complete CV ΔP switch	2017WP99AS	2022WP99AS	2028WP99AS	2034WP99AS	2041WP99AS	2048WP99AS
1.1	Heat exchanger Complete IP + ZW flow switch	2017WT99AS	2022WT99AS	2028WT99AS	2034WT99AS	2041WT99AS	2048WT99AS
1.1	2nd Heat exchanger Complete IP + ZW ΔP switch	2017WQ99AS	2022WQ99AS	2028WQ99AS	2034WQ99AS	2041WQ99AS	2048WQ99AS
1.1	Heat exchanger Complete TÜV	2017W299AS	2022W299AS	2028W299AS	2034W299AS	2041W299AS	2048W299AS
1.2	Flow/Return Header Standard Incl. 120°	2017W1B1BS					
1.2	Flow/Return Header ΔP switch	2017WPB1AS					
1.3	Reverse Header Standard	2000W1A1AS					
1.2	Flow/Return Header IP + ZW	2000WTB1AS					
1.2	Flow/Return Header IP + ZW ΔP switch	2000WQB1AS					
1.3	Reverse Header Stainless	2000WTA1AS					
1.2	Flow/Return Header TÜV	2017W1H1AS					
1.3	Reverse Header TÜV	2000W1G1AS					
1.4	Support Bridge	-					
1.5	Support Bracket	-					
1.6	Split pin	-					
1.7	O-Ring	ARO020					
1.8	Flange Gasket	ARP030					
-	Silicon Grease (Tube 55 gram)	DLS020					
1.9	Pocket for sensor	RTP085					

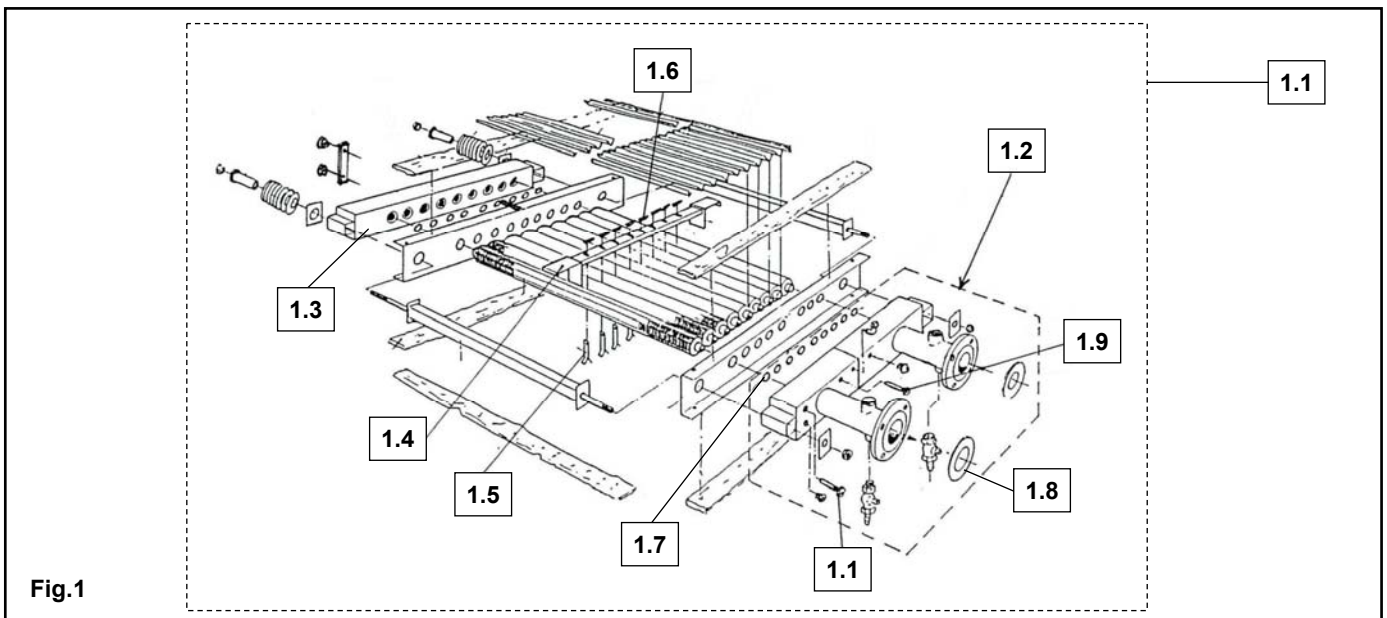


Fig.1

Heat Exchangers & Parts

Pos		R2056	R2066	R2077	R2090	R2105	R2122
2.1	Heat exchanger Complete CV 110°	2056W199AS	2066W199AS	2077W199AS	2090W199AS	2105W199AS	2122W199AS
2.1	Heat exchanger Complete CV 115° + 120°	2056W199BS	2066W199BS	2077W199BS	2090W199BS	2105W199BS	2122W199BS
2.1	Heat exchanger Complete CV ΔP switch	2056WP99AS	2066WP99AS	2077WP99AS	2090WP99AS	2105WP99AS	2122WP99AS
2.1	Heat exchanger Complete IP + ZW flow switch	2056WT99AS	2066WT99AS	2077WT99AS	2090WT99AS	2105WT99AS	2122WT99AS
2.1	2nd Heat exchanger Complete IP + ZW ΔP switch	2056WQ99AS	2066WQ99AS	2077WQ99AS	2090WQ99AS	2105WQ99AS	2122WQ99AS
2.1	Heat exchanger Complete TÜV	2056W299AS	2066W299AS	2077W299AS	2090W299AS	2105W299AS	2122W299AS
2.2	Flow/Return Header Standard Incl. 120°	2056W1B1BS					
2.2	Flow/Return Header ΔP switch	2056WPB1AS					
2.3	Reverse Header Standard	2000W1A1AS					
2.2	Flow/Return Header IP + ZW	2000WTB1AS					
2.2	Flow/Return Header IP + ZW ΔP switch	2000WQB1AS					
2.3	Reverse Header Stainless	2000WTA1AS					
2.2	Flow/Return Header TÜV	2056W1H1AS					
2.3	Reverse Header TÜV	2000W1G1AS					
2.4	Support Bridge	1x 2077W1C1					
2.5	Support Bracket	16x 2077W120					
2.6	Split pin	8x BPS051					
2.7	O-Ring	ARO020					
2.8	Flange Gasket	ARP030					
-	Silicon Grease (Tube 55 gram)	DLS020					
2.9	Pocket for sensor	RTP085					

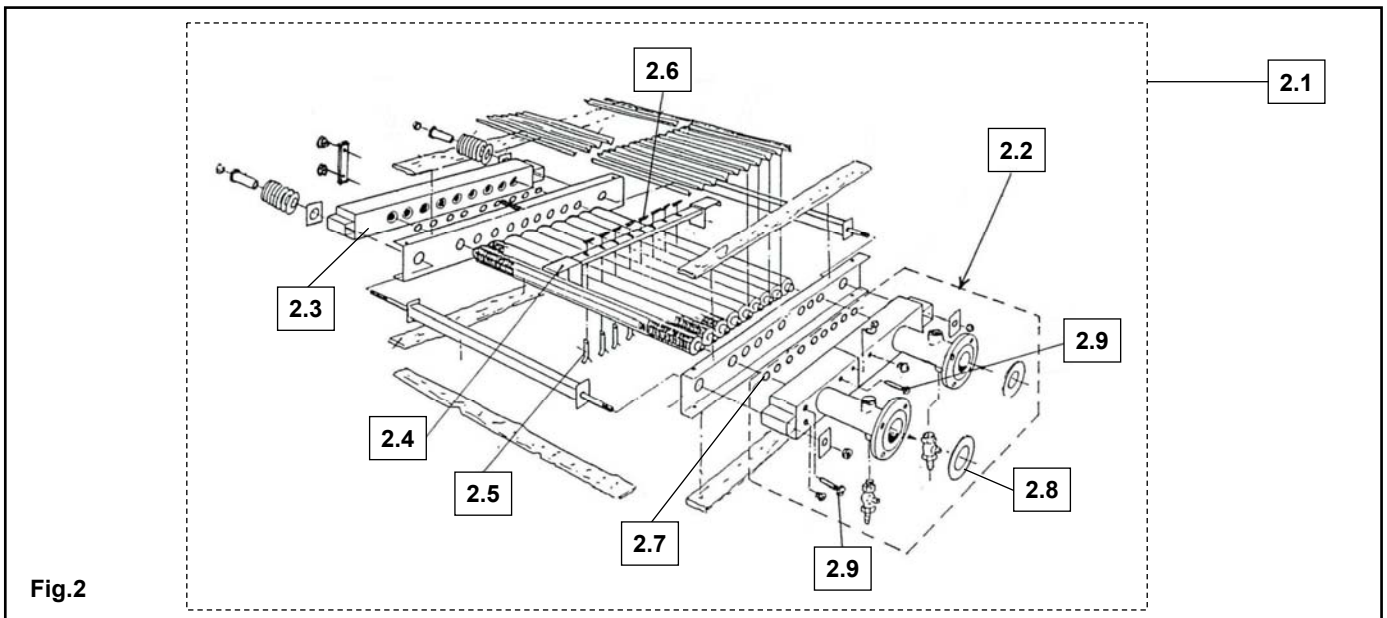


Fig.2

Burner Parts

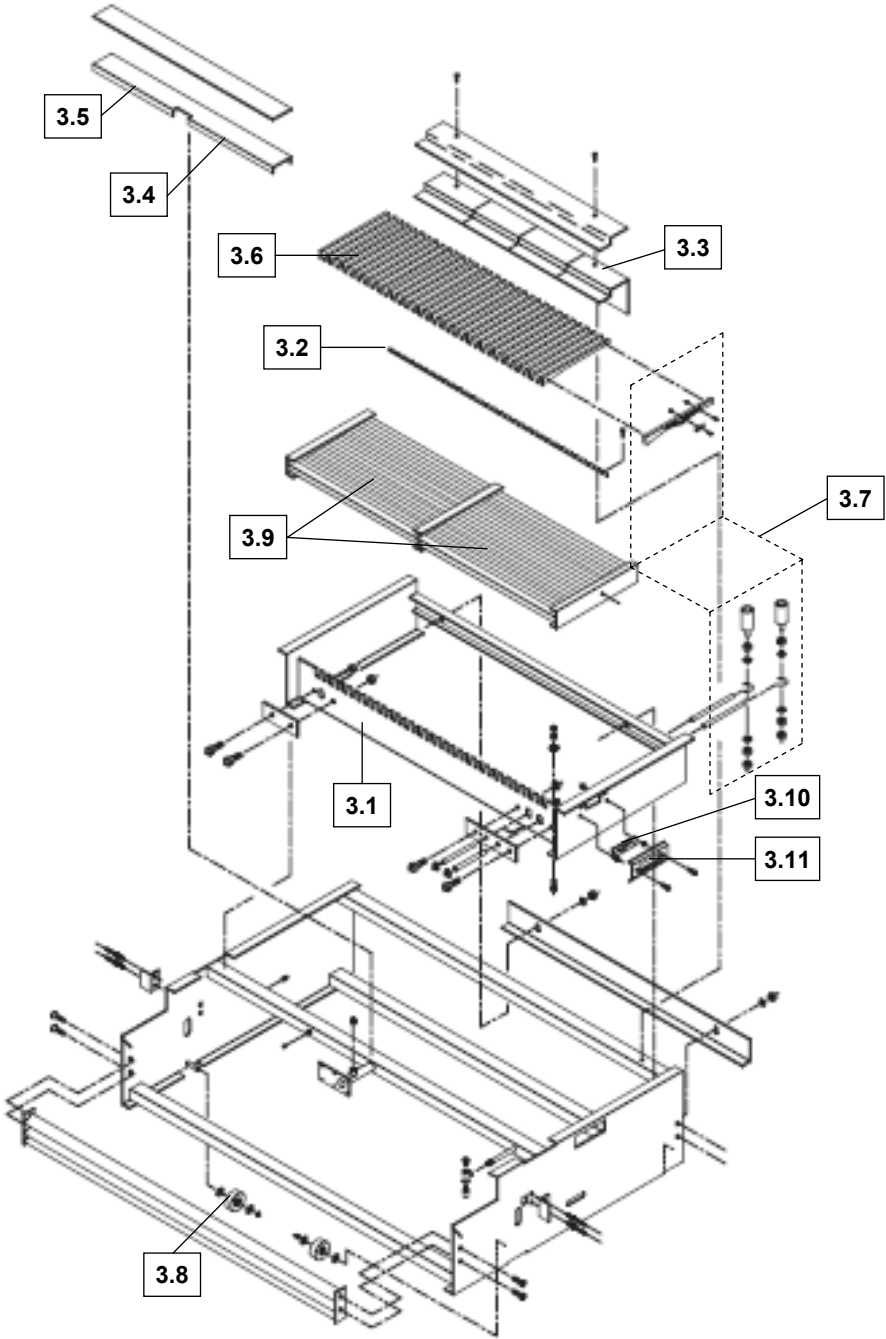


Fig.3

Burner Parts

Pos		R2017	R2022	R2028	R2034	R2041	R2048
-	Injector Standard	17x RIS006	22x RIS006	28x RIS006	34x RIS006	41x RIS006	48x RIS006
-	Injector LPG	17x RIS003	22x RIS003	28x RIS003	34x RIS003	41x RIS003	48x RIS003
-	Conversion Kit Nat. Gas to LPG	2017G1PS	2022G1PS	2028G1PS	2034G1PS	2041G1PS	2048G1PS
-	Conversion Kit LPG to Nat. Gas	2017G1AS	2022G1AS	2028G1AS	2034G1AS	2041G1AS	2048G1AS
-	Conversion Kit LPG to Nat. Gas 1996 CE	2017G1DS	2022G1DS	2028G1DS	2034G1DS	2041G1DS	2048G1DS
3.1	Inside housing	2017B1A1	2022B1A1	2028B1A1	2034B1A1	2041B1A1	2048B1A1
3.2	Burner support	2017B112	2022B112	2028B112	2034B112	2041B112	2048B112
3.3	Burner Down Holder	1x 2017B113	1x 2022B113	1x 2028B113	2x 2034B113	2x 2041B113	2x 2048B113
3.4	Cover Burner left	1x 2017B114	1x 2022B114	1x 2028B114	1x 2034B114	1x 2041B114	1x 2048B114
3.5	Cover Burner right	1x 2017B115	1x 2022B115	1x 2028B115	1x 2034B115	1x 2041B115	1x 2048B115
3.6	Burner Bar	16x RIB002	21x RIB002	27x RIB002	33x RIB002	40x RIB002	47x RIB002
3.7	Pilot Burner Universal	0000B1FS					
-	Burner with 2nd Ionisation	0000B1BA					
3.8	Wheel	DBW001					

Pos		R2056	R2066	R2077	R2090	R2105	R2122
-	Injector Standard	56x RIS006	66x RIS006	77x RIS006	90x RIS006	105x RIS006	122x RIS006
-	Injector LPG	56x RIS003	66x RIS003	77x RIS003	90x RIS003	105x RIS003	122x RIS003
-	Conversion Kit Nat. Gas to LPG	2056G1PS	2066G1PS	2077G1PS	2090G1PS	2105G1PS	2122G1PS
-	Conversion Kit LPG to Nat. Gas	2056G1AS	2066G1AS	2077G1AS	2090G1AS	2105G1AS	2122G1AS
-	Conversion Kit LPG to Nat. Gas 1996 CE	2056G1DS	2066G1DS	2077G1DS	2090G1DS	2105G1DS	2122G1DS
3.1	Inside housing	2056B1A1	2066B1A1	2077B1A1	2090B1A1	2105B1A1	2122B1A1
3.2	Burner support	2056B112	2066B112	2077B112	2090B112	2105B112	2122B112
3.3	Burner Down Holder	1x 2056B113	1x 2066B113	1x 2077B113	2x 2090B113	2x 2105B113	2x 2122B113
3.4	Cover Burner right	1x 2056B114	1x 2066B114	1x 2077B114	1x 2090B114	1x 2105B114	1x 2122B114
3.5	Cover Burner left	1x 2056B115	1x 2066B115	1x 2077B115	1x 2090B115	1x 2105B115	1x 2122B115
3.6	Burner Bar	55x RIB002	65x RIB002	76x RIB002	89x RIB002	104x RIB002	121x RIB002
3.7	Pilot Burner Universal	0000B1FS					
-	Burner with 2nd Ionisation	0000B1BA					
3.8	Wheel	DBW001					

Gastrain Parts

Types 17- 77

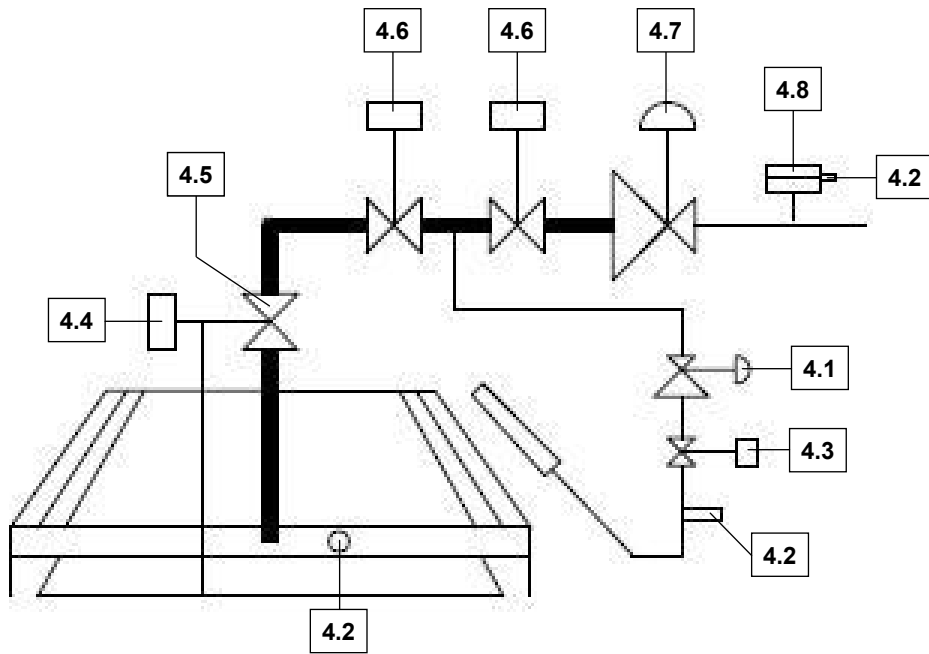


Fig.4

Types 90 - 122

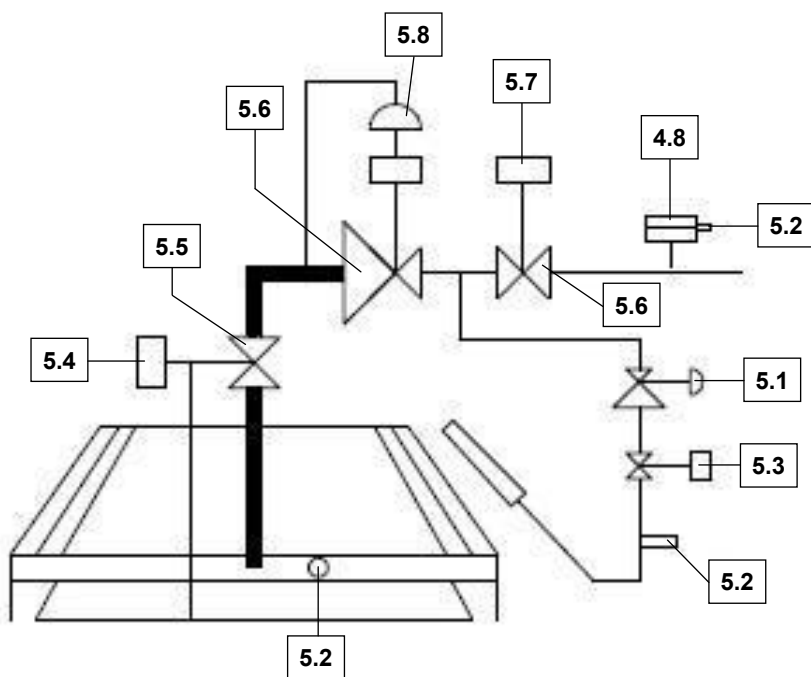


Fig.5

Gastrain Parts

Pos		R2017	R2022	R2028	R2034	R2041	R2048
4.1	Pressure Regulator Pilot Burner				RDG001		
4.2	Pressure test point				RKD001		
4.3	Pilot Gas Valve				RKS025		
4.4	Servo motor (L&G)				RMS001		
4.4	Servo motor (L&G) SQN41 ET				RMS001AS		
4.4	Servo motor (L&G) SQN41 EM				RMS001BS		
4.4	Servo motor EM new (L&G)				RMS016A1AS		
4.4	Servo motor ET (old square wire connectors) (B&G)				RMS016AS		
4.4	Servo motor EM (old square wire connectors) (B&G)				RMS016BS		
-	Butterfly valve mounting plate O-ring				ARO105		
4.5	Butterfly valve complete		2017G1A1			2034G1A1	
-	Shaft with arm				2000G1A2		
-	Butterfly Natural Gas		2017G106			2034G106	
-	Butterfly LPG		2017G107			2034G107	
-	Quadring				2x ARQ005		
-	O-Ring				2x ARO130		
-	Housing Butterfly valve		2017G1A3			2034G1A3	
4.6	Gas valve		2x RKS100			2x RKS101	
4.6	Gas valve with End switch (LPG, ZW) (2nd valve)		1x RKS115			1x RKS120	
4.6	Gas valve ZW (1st valve)		1x RKS109			1x RKS107	
4.7	Pressure regulator				RDG060		
-	Pressure regulator Spring for LPG				RDV013		
-	Main Gas valve				-		
-	Gas valve Motor				-		
-	Gas valve Motor with press. Reg.				-		
-	Gas valve Motor with Pressure Regulator and End Switch				-		
-	Gas valve Spring for LPG				-		
-	Gas valve Spring for Nat. Gas 10-30mbar				RDV005		
-	Gas valve Spring for Nat. Gas 10-30mbar				RDV006		

Gastrain Parts

Pos		R2056	R2066	R2077	R2090	R2105	R2122
5.1	Pressure Regulator Pilot Burner				RDG001		
5.2	Pressure test point				RKD001		
5.3	Pilot Gas Valve				RKS025		
5.4	Servo motor (L&G)				RMS001		
5.4	Servo motor (L&G) SQN41 ET				RMS001AS		
5.4	Servo motor (L&G) SQN41 EM				RMS001BS		
5.4	Servo motor EM new (L&G)				RMS016A1AS		
5.4	Servo motor ET (old square wire connectors) (B&G)				RMS016AS		
5.4	Servo motor EM (old square wire connectors) (B&G)				RMS016BS		
-	Butterfly valve mounting plate O-ring				ARO105		
5.5	Butterfly valve complete		2056G1A1			2090G1A1	
-	Shaft with arm				2000G1A2		
-	Butterfly Natural Gas		2056G106			2090G106	
-	Butterfly LPG		2056G107			2090G107	
-	Quadring				2x ARQ005		
-	O-Ring				2x ARO130		
-	Housing Butterfly valve		2056G1A3			2090G1A3	
4.6	Gas valve		2x RKS101			-	
4.6	Gas valve with End switch (LPG, ZW) (2nd valve)		1x RKS120			-	
4.6	Gas valve ZW (2nd valve)		1x RKS107			-	
4.7	Pressure regulator				RDG061		-
-	Pressure regulator Spring for LPG				RDV014		-
5.6	Main Gas valve		-			2x RKM001	
5.7	Gas valve Motor		-			RMK040	
5.8	Gas valve Motor with press. Reg.		-			RMK120	
5.8	Gas valve Motor with Pressure Regulator and End Switch		-			RMK016	
-	Gas valve Spring for LPG		-			RDV003	
-	Gas valve Spring for Nat. Gas 10-30mbar				RDV005		
-	Gas valve Spring for Nat. Gas 10-30mbar				RDV006		

Electrical Parts

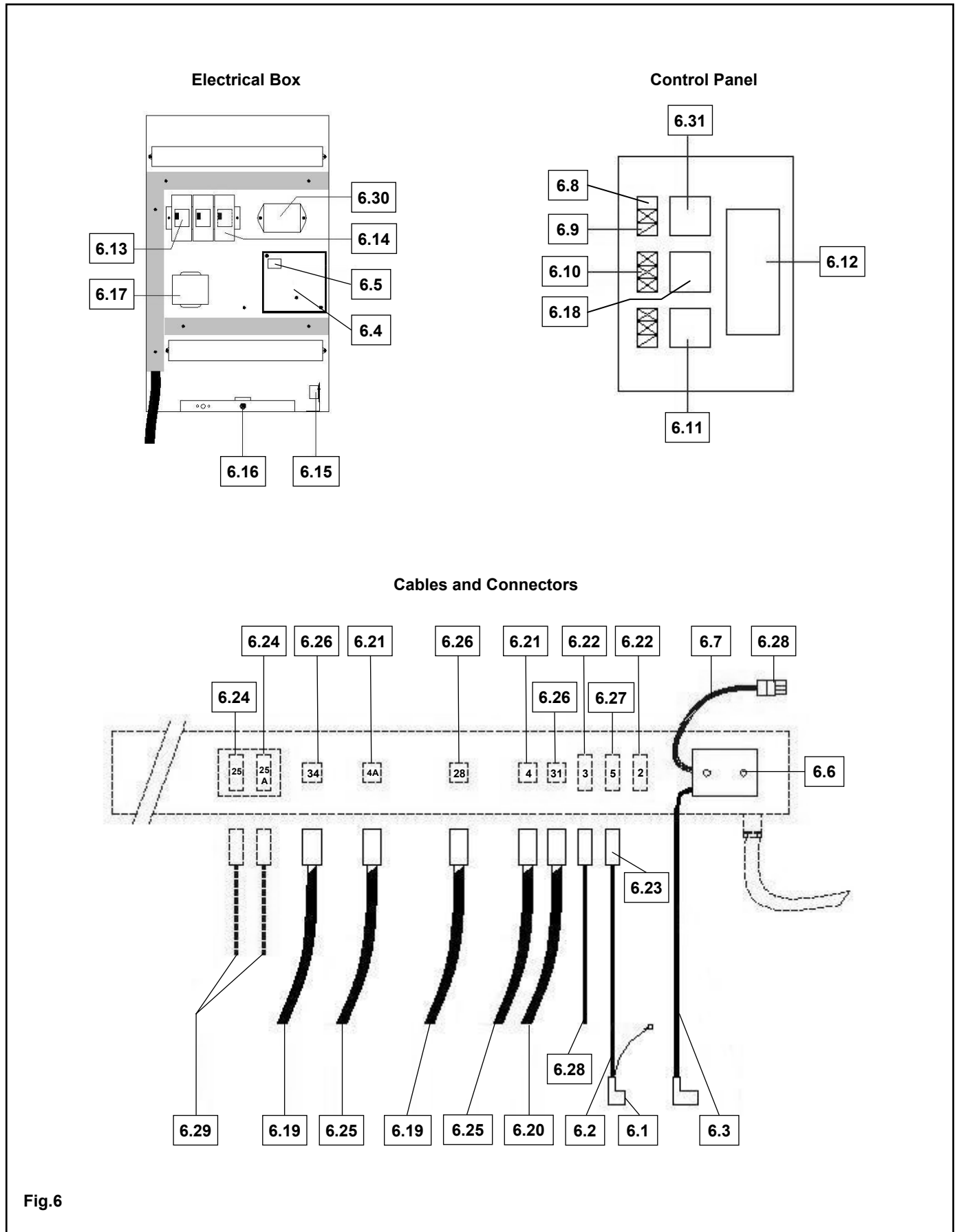


Fig.6

Electrical Parts

Pos		R2017	R2022	R2028	R2034	R2041	R2048	R2056	R2066	R2077	R2090	R2105	R2122
-	Isolator	0000B102											
6.1	Ignition/Ionisation cap	EVD001											
6.1	Short Ionisation cap	EVD001DS											
-	Terminal for Ionisation cap	EVP040											
6.2	Cable Ionisation Complete	EVD001AS											
-	Cable 2nd Ionisation Complete	EVD001BS											
6.3	Cable Ignition Complete	ESB001											
6.4	Burner Control Unit	RBA004											
-	Socket for Burner Control Unit	RBV004											
6.5	Polarity Block AGM 30	RBF001											
6.6	Ignition Transformer	ETH005											
-	Conversion to Ign. Trafo Danfoss	ETH005DS											
6.7	Power Supply Cable for ETH005	ESK005											
6.7	Power Supply Cable for ETH005 with EVS050	ESK005AS											
-	Wire Stainless Steel 1.5	GDR002											
-	Flow Switch	RSS007											
-	Flow Switch above 110°	RSS001											
6.8	Power Switch	ELS020											
-	Switch	ELS010											
6.9	Reset Switch	ELS011											
-	Switch Double Poled	ELS022											
-	Airdamper End Switch	RSE002											
-	Signal Lamp Green	ELL010											
6.10	Signal Lamp Red	ELL011											
6.11	Pressure Gauge 140°	ROM030											
-	Water Pressure Diff. Switch Huba 630.99004(5)	RSV001					RSV002						
4.8	Gas Pressure Switch < 50 mbar	RSD020											
4.8	Gas Pressure Switch > 50 mbar	RSD016											
6.12	Temp. Controller RWF40	RRW007											
-	Conversion Kit RWF32 to 40	RRW005AS											
-	RWF40 Adjustment Casing	DDR007											
6.13	Relay Finder 55.34.8.230.0040	ERH031											
6.14	Relay 100-M05-NA3 Allan Bradley	ERT030											
6.14	Time Relay Omron H2A-7H	ERT003											
-	Sensor	RTV002											
-	TTB Jumo ATH®-2	RTR057											
-	Thermostat Jumo EMFf-133	RTR058											
6.15	Thermostat (max.) (120°, ZW) Jumo KMF 70/uno	RTR055											

Electrical Parts

Pos		R2017	R2022	R2028	R2034	R2041	R2048	R2056	R2066	R2077	R2090	R2105	R2122
6.16	Thermostat (max.) lmit LS1												RTR105
6.15	Thermostat												INC515
6.17	R2000 Seperation Transformer												ETS005
6.18	Temperature Gauge												ROT030
6.11	Pressure Gauge												ROM030
6.19	Female Connector with cable (28, 34)												EVC020
6.20	Female Connector with cable (31)												EVC021
6.21	Female Connector (4, 4a)												EVC030
6.22	Female Connector (2, 3)												EVC040
6.23	Female Connector (5)												EVC050
6.24	Female Connector (25, 25a)												EVS060
6.25	Male Connector with cable (4, 4a)												EVS020
6.26	Male Connector (28, 31, 34)												EVS030
6.27	Male Connector (5)												EVS040
6.28	Male Connector (2, 3)												EVS050
6.29	Male Connector B&G motor (25, 25a)												EVS061
-	Complete Connector Set												2000E1AS
6.30	Net Filter												ETN051
6.31	Hour run counter												RUB001
-	Day/night clock Grässlin Tactic												RRW009

Insulation Parts

Pos		R2017	R2022	R2028	R2034	R2041	R2048
-	Insulation Brick Set	2017S1SBAS	2022S1SBAS	2028S1SBAS	2034S1SBAS	2041S1SBAS	2048S1SBAS
-	Brick Distance holder longside	2x 2017S108	2x 2022S108	2x 2028S108	2x 2034S108	2x 2041S108	2x 2048S108
-	Insulation 140° for all types	1x GIB060AS					
-	Disassembly Set	DEMON2000					
3.10	Inspection hole glass	DBG001					
3.11	Inspection hole glass holder	2000B138					

Pos		R2056	R2066	R2077	R2090	R2105	R2122
-	Insulation Brick Set	2056S1SBAS	2066S1SBAS	2077S1SBAS	2090S1SBAS	2105S1SBAS	2122S1SBAS
-	Brick Distance holder longside	2x 2056S108	2x 2066S108	4x 2034S108	4x 2041S108	4x 2048S108	4x 2056S108
-	Insulation 140° for all types	1x GIB060AS					
-	Disassembly Set	DEMON2000					
3.10	Inspection hole glass	DBG001					
3.11	Inspection hole glass holder	2000B138					

Air Inlet Parts

Pos		R2017	R2022	R2028	R2034	R2041	R2048
-	Airdamper	2017L1AS	2022L1AS	2028L1AS	2034L1AS	2041L1AS	2048L1AS
	Spring	BVT002					
3.9	Bottom Grid Complete	2017B1C1AS	2022B1C1AS	2028B1C1AS	2034B1C1AS	2041B1C1AS	2048B1C1AS

Pos		R2056	R2066	R2077	R2090	R2105	R2122	
-	Airdamper	2056L1AS	2066L1AS	2077L1AS	2090L1AS	2105L1AS	2122L1AS	
-	Spring	BVT002				BVT003		
3.9	Bottom Grid Complete	2056B1C1AS	2066B1BAAS	2077B1BAAS	2090B1BAAS	2105B1BAAS	2122B1BAAS	

Other parts

Pos		R2017	R2022	R2028	R2034	R2041	R2048	R2056	R2066	R2077	R2090	R2105	R2122
-	Side frame	2000S1A1											

Notes

Lined area for notes, consisting of multiple horizontal lines within a rectangular border.

Service:

Rendamax bv

Hamstraat 76
6465 AG Kerkrade
Parkstad nr. 5007

P.O. Box 1035
6460 BA Kerkrade
The Netherlands

Tel. (+31) 45 5669 900
Fax (+31) 45 5669 910

info@rendamax.com
www.rendamax.com