



PHILIPS

Water Solutions

Under-the-sink filtration

AUT3234



EN	User manual	1
FR	Manuel d'utilisation	33
RU	Руководство пользователя	66

ES	Manual del usuario	16
IT	Manuale utente	49

Content

I. Product Introduction	1
-------------------------	---

II. Product Specifications	1
----------------------------	---

III. Product overview and installation illustration	2
---	---

IV. Installation	3
Install the three-way ball valve	3
Install the faucet	5
Install the system	5

V. Usage instruction	9
Before the first-time use	9
User interface	9

VI. Maintenance	10
Routine maintenance	10
Filter lifetime	10
Filter cartridge replacement	11

VII. Precautions	11
Warning	11

VIII. Troubleshooting	12
-----------------------	----

IX. Guarantee & Service	13
-------------------------	----

X. Packaging list	14
-------------------	----



Installation


I. Product Introduction

Congratulations on your purchase and welcome to Philips! Our under-the-sink water filtration system AUT3234 comes with a 4-stage ultrafiltration, which effectively reduces particles, heavy metals, volatile organic compounds, pesticides, bacteria, and pollutants down to 0.01 micron*, while retaining beneficial minerals at the same time.

Read this user manual carefully before you use the appliance. Save it for future reference.

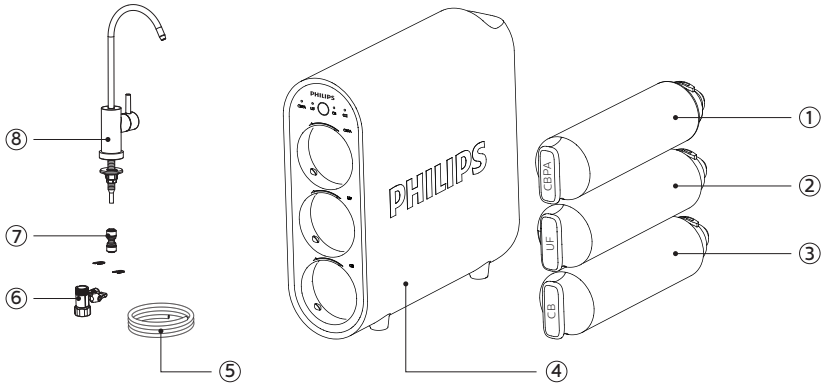
* The substances removed or reduced by this system are not necessarily in all user's water.

II. Product Specification

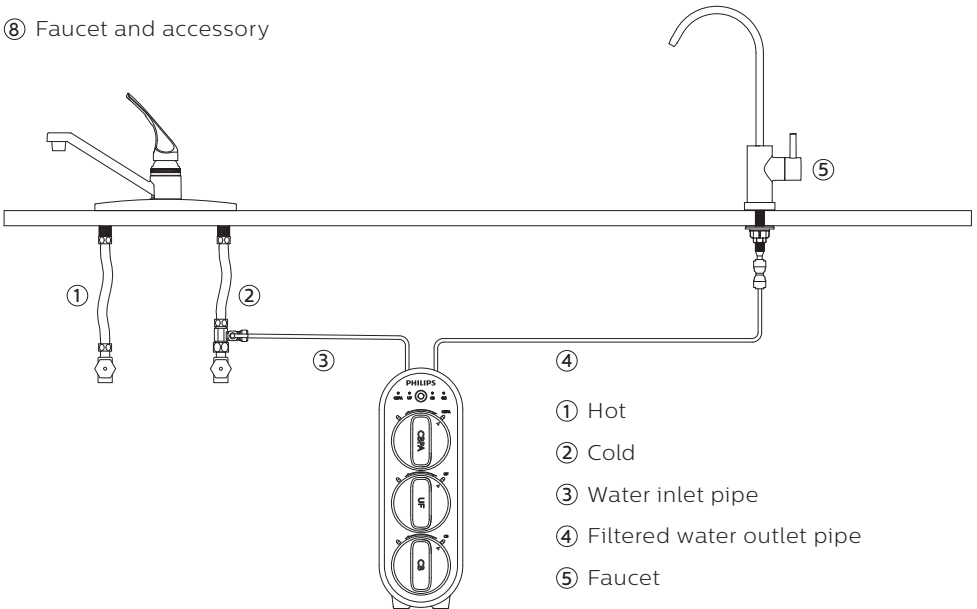
Product name	Philips under-the-sink water filtration system
Product model	AUT3234
Water flow rate	2 liters/minute
Filtration capacity	CBPA filter: 4000 liters UF filter: 8000 liters CB filter: 4000 liters
Rated voltage	4.5V 
Inlet water pressure	0.1-0.4 MPa**
Inlet water temperature	5°C-38°C
Applicable water source	Municipal tap water, which meets all European Directive on Water for Human Consumption 98/83 requirements and its national transpositions in the various EU member states.

** When the inlet water pressure exceeds 0.4 MPa, a pressure relief valve should be installed before the system. When the inlet water pressure is below 0.1 MPa, a pressure booster should be installed before the system. The pressure relief valve and extra pressure booster need to be purchased separately.

III. Product overview and installation illustration



- ① Carbon block and sediment filter 2-in-1 filter (CBPA)
- ② Hollow fiber membrane filter (UF)
- ③ Carbon block filter (CB)
- ④ System
- ⑤ 1/4" PE pipe
- ⑥ Three-way ball valve
- ⑦ Quick connect fitting
- ⑧ Faucet and accessory



- ① Hot
- ② Cold
- ③ Water inlet pipe
- ④ Filtered water outlet pipe
- ⑤ Faucet

IV. Installation

Note:

- Before installation, it is important to check the condition of the system to make sure it has not been damaged during transport.
- Unpack the system and its accessories. Remove the protective packaging material. Recyclable materials have been used for the packaging and should be disposed of in the appropriate recycling bins or at the specific local recycling center.

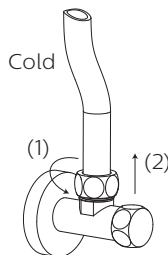
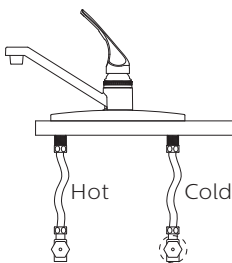
Warning: Keep plastic bags out of the reach of children, as they may be dangerous.

- Check if anything is missing according to the packing list and the overview.
- Given that the system will improve the quality of your drinking water, all tools to be used in the installation process should be clean, rust and grease-free.
- The installation process should be carried out under appropriate hygienic conditions, taking all necessary precautions concerning materials and components that will come into contact with water to be treated or consumed.
- Avoid external contamination of the system through improper handling, using gloves, sanitizing gel, and washing hands as often as is necessary during the installation process, first use, and system maintenance.
- The system and installation shall comply with applicable local regulations.
- This product cannot be disposed of with other domestic waste products. At the end of the product's service life, it should be returned to the place of purchase, or at a local recycling center, indicating that it contains electric and electronic components. The appropriate collection and treatment of the product, which no longer are to be used, contributes to the preservation of natural resources and avoids any potential public health risks.

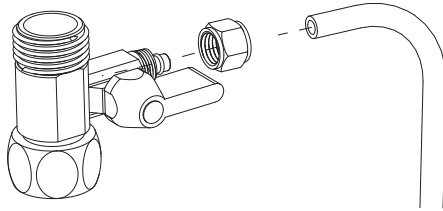


1. Install the three-way ball valve

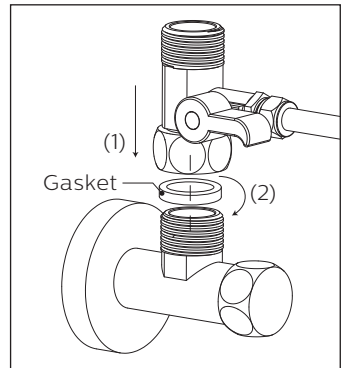
- a. Turn off the cold water supply. Turn on the kitchen cold water faucet to release the pressure and allow water to drain from the line. Disconnect the cold water hose from the cold water valve.



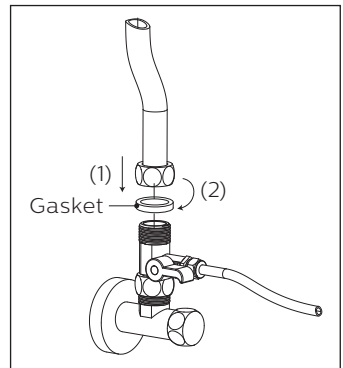
b. Slide the nut of the three-way ball valve onto the 1/4" PE pipe and insert the pipe into the opening of the three-way ball valve. Tighten the nut with a wrench.



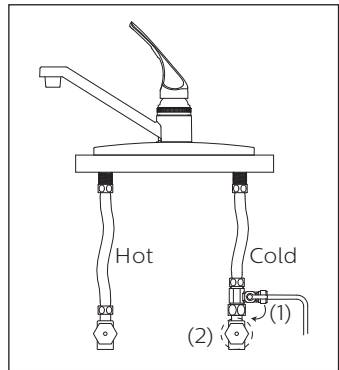
c. Install the three-way ball valve on the cold water valve. Please don't miss the gasket inside the three-way ball valve during installation.



d. Connect the cold water hose with the three-way ball valve and screw it tightly with a wrench. Please don't miss the gasket in the cold water hose during installation.



e. Switch off the three-way ball valve. Turn on the cold water supply. Wipe the connections with a tissue to see if there is leakage. If the tissue stays dry, it means the three-way ball valve is installed properly.

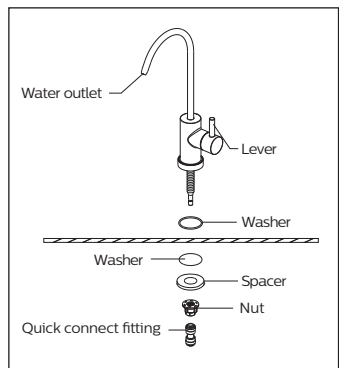


2. Install the faucet

Note:

Select an appropriate installation position. The environment where the faucet is installed should adhere to any appropriate hygiene and sanitation conditions. Make sure the faucet sits flat on top of the sink or countertop surface.

- a. Drill a hole with a diameter of about 25mm. Skip this step if there is already a hole in the sink or the countertop surface.
- b. Install the faucet according to the diagram. Screw the faucet stem nut all the way up the faucet stem, and tighten it to secure the faucet.



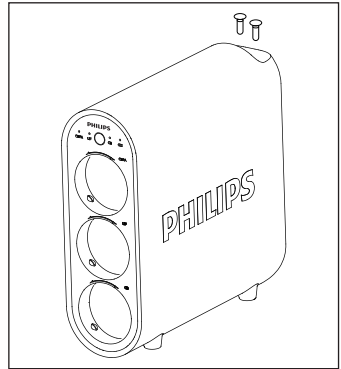
3. Installing the system

Note:

Please check if there is sufficient space for installing the system itself, its accessories, connections, and for servicing and repair. Under no circumstances should the system be installed outdoors. The environment where the system is installed should adhere to any appropriate hygiene and sanitation conditions. Avoid any external dripping liquids from pipes or drains etc onto the system.

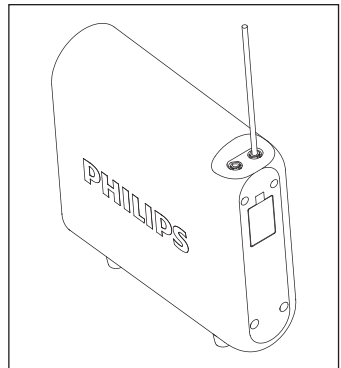
This system should be placed on a stable and flat surface. Keep the system away from heat. It shall not be placed in a place that may have inflammable gas leakage.

- a. Press down the collets and pull out the plugs of the water inlet and outlet holes in the back of the system.



- b. Connect the water inlet and the three-way ball valve.

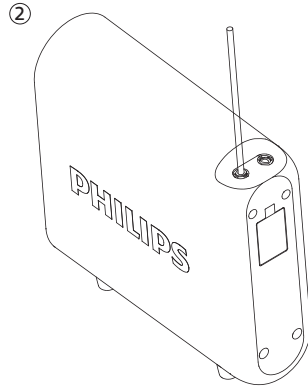
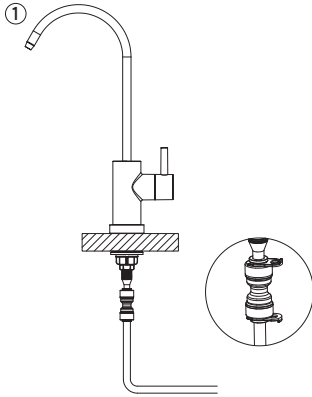
Measure the length of the 1/4" pipe you need to connect the system and the three-way ball valve, and cut it accordingly with a pipe cutter. Insert the other end of the 1/4" pipe which has been connected with the three-way ball valve into the water inlet hole in the back of the system. Use a clip to secure the pipe at the hole.



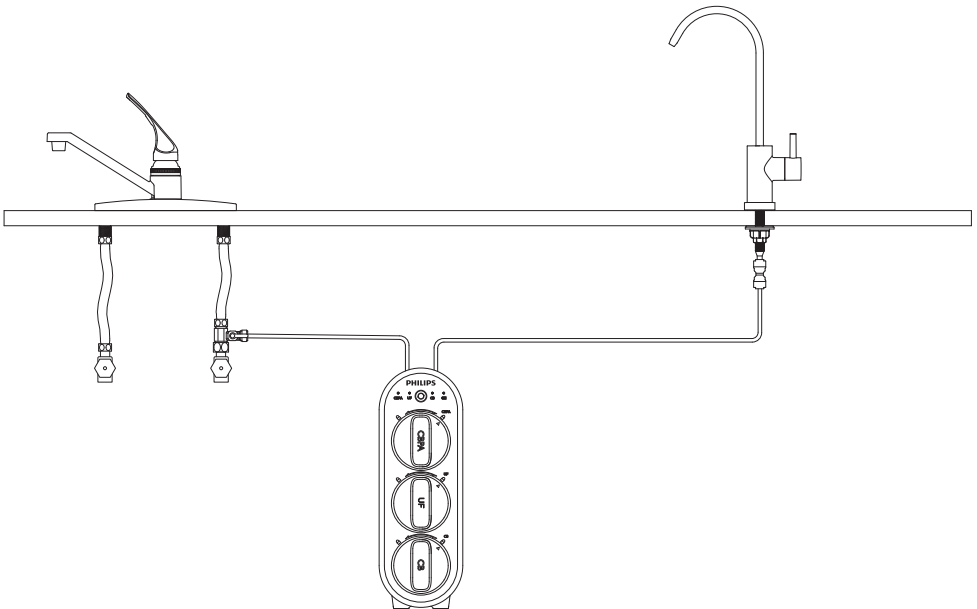
Note: The inlet water pressure should be within 0.1-0.4 MPa. If the pressure is too low, a pressure booster should be installed before the system. If the pressure is too high, a pressure relief valve should be installed before the system. The pressure relief valve and extra pressure booster need to be purchased separately.

c. Connect the water outlet and the faucet.

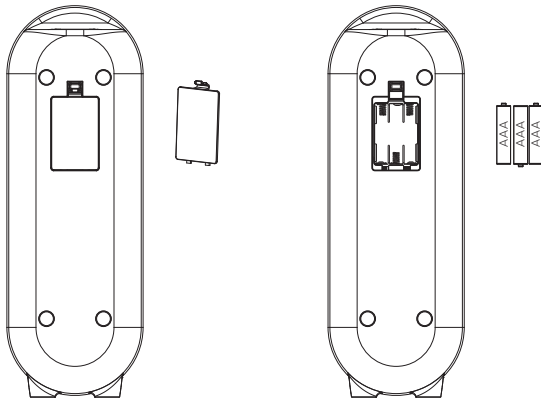
Measure the length of the 1/4" pipe you need, and cut it with a pipe cutter. Insert one end of the pipe into a quick connect fitting, and connect the quick connect fitting on the stem of the faucet. Use a clip to secure the pipe. Insert the other end of the 1/4" pipe into the water outlet hole in the back of the system until it stops.



③

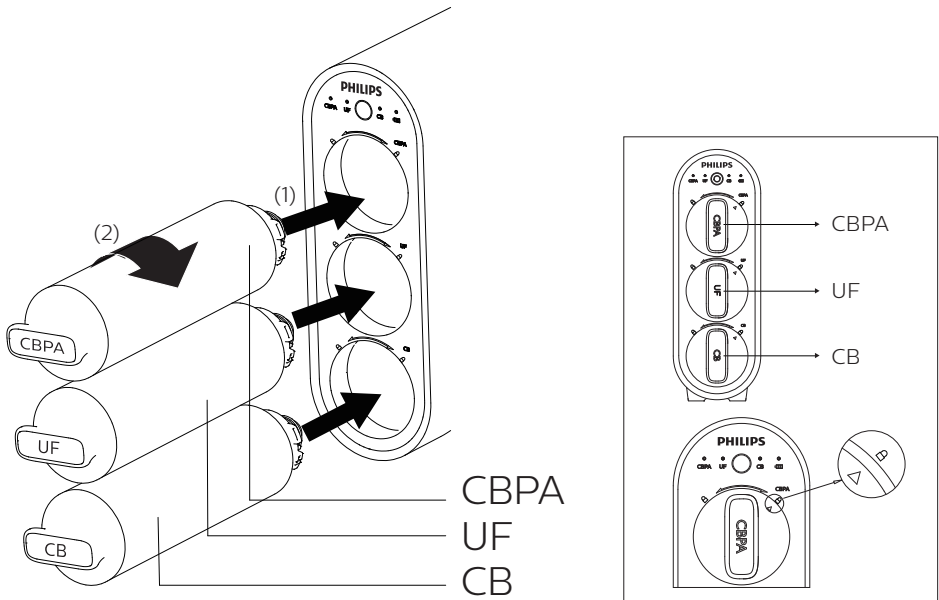


d. Put in 3 AAA batteries.



e. Move the system to its space in the under-the-sink cabinet.

f. Remove the plastic wrap of the filter cartridges. Insert the filter cartridges in the system accordingly, and turn them clockwise to align the triangle icon on the filter cartridge with the lock icon on the system.



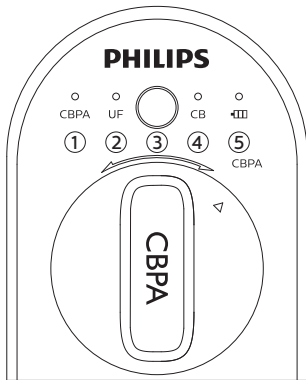
g. Check if the system is installed properly, and turn on the three-way ball valve.

V. Usage instruction

1. Before the first-time use

- a. Wipe all the joints and connections with tissue to check if there is leakage. If the tissue stays dry, it means the system is installed properly.
- b. Turn on the faucet to allow water to run for 10 minutes to flush the air and carbon fines through the filters. After that, the system is ready and you can start to consume the filtered water.

2. User interface



- ① CBPA filter lifetime indicator
- ② UF filter lifetime indicator
- ③ Reset button
- ④ CB filter lifetime indicator
- ⑤ Battery lifetime indicator

When the faucet is turned on, all the indicators will light up to show the filter lifetime and the battery lifetime.

When the system is in standby mode, all the indicators will be off. You may press the reset button and the indicators will light up to show the filter lifetime and the battery lifetime.

a. Filter lifetime indicator

Status	Indicator	Sound alert
More than 7 days	Constant blue light	N/A
Less than 7 days or has reached the end of life	Flashing blue light	There will be beeps whenever the faucet is turned on, reminding you to replace the filter.

b. Battery lifetime indicator

Status	Indicator	Sound alert
There is enough battery	Constant blue light	N/A
The battery is low	Flashing blue light	There will be beeps whenever the faucet is turned on, reminding you to replace the batteries.

c. Reset button

To reset the filter lifetime, long press the reset button for 5 seconds. You will hear a beep, and the indicator of CBPA filter lifetime flashes blue. Short press the reset button again to select the filter that needs to be reset.

When the indicator of the selected filter flashes, long-press the reset button for 3 seconds. You will hear a beep, and the indicator will show constant blue light. This means the filter lifetime has been reset successfully.

VI. Maintenance

1. Routine maintenance

- Organic solvent such as gasoline etc. shall not be used for wiping the housing of the device. If cleaning is required, please gently wipe the surface of the product with a wet cloth after it is disconnected from the power supply.
- If the system is not used for more than 2 days, turn on the faucet and allow the water to run for at least 5 minutes to flush the filters and the system.
- If the system will not be used for an extended period, take out the filter cartridges, seal them with plastic wraps, and store them in the refrigerator (not in the freezer). Turn off the three-way ball valve, turn on the faucet to empty the system, and take out the batteries. Before using it again, allow the water to run for at least 10 minutes to flush the filters and the system.

2. Filter lifetime

Note

For the best performance, please change your filter cartridge according to the filter lifetime indicator, or the filter replacement cycle suggested below. When a significantly lower flow rate is observed, we recommend changing the filters as well.

This system can only work with Philips filters.

Filter	Model code	Filter lifetime
CBPA filter	AUT805	6-12 months*
UF filter	AUT825	24 months*
CB filter	AUT806	6-12 months*

*The actual lifetime of the filter cartridge depends on the local tap water quality and daily usage. The recommended replacement cycle is an average based on different local tap water quality. If the local tap water quality is below the average, the actual lifetime of the cartridge would differ from the recommended replacement cycle. If the filter cartridge is blocked, please replace it.

3. Filter cartridge replacement

- a. Turn off the water supply and turn on the faucet to allow the water to drain from the pipe.
- b. Turn the filter that needs to be replaced anticlockwise and pull it out.
- c. Remove the packaging of the new filter and insert the cartridge in the system. Turn it clockwise to align the triangle icon on the filter cartridge with the lock icon on the system.
- d. Turn on the water supply and the faucet. Allow water to run for 10 minutes.
- e. Reset the filter lifetime according to chapter V.

VII. Precautions

1. Warning

- This is NOT a water purifier. Always use municipal tap water as the water source. Do not use water that is microbiologically unsafe or of unknown quality without adequate disinfection before or after the system.
- This system is not intended for use by persons (including children) with reduced physical sensory or mental capabilities, or lack of experience and knowledge unless they have been given supervision or instruction concerning the use of the appliance by a person responsible for their safety. Children should be supervised to ensure that they do not play with the system.
- Be sure to handle the system gently and carefully. Do not attempt to modify or repair the system yourself, otherwise, the warranty becomes invalid.
- This device is intended for domestic use only.

- The inlet water temperature of the system should be within 5–38°C. When the inlet water temperature exceeds 38°C, the filter could be damaged and become invalid. If the inlet water temperature is lower than 5°C, it may cause freezing and the parts of the system to rupture, resulting in water leakage.
- Do not reverse the installation order of the filter cartridges to avoid affecting the filter performance of the system.
- If the system is abnormal or faulty, stop using it immediately. Close the inlet water valve, and turn on the faucet to empty the system. Events of faults include:
Leakage
The product is cracked or damaged
There is an abnormal sound or burnt smell
The machine does not work
Please contact consumer care for inspection immediately.
- If not using the system for an extended period, turn off the water supply, and turn on the faucet to release the internal pressure to avoid damage to the system.

VIII. Troubleshooting

Problem	Possible cause	Solution
No water comes out from the faucet.	Cold water valve or the three-way ball valve is turned off.	Turn on the valves.
	Filter is blocked.	Replace the filter.
	Filter is not installed properly.	Reinstall the filter according to chapter VI.
The flow rate gets slower.	Filter is blocked.	Replace the filter.
	Inlet water pressure is low.	Wait until the inlet water pressure gets stable, or install a pressure boost before the system if the inlet water pressure is constantly lower than 0.1 MPa.

Poor outlet water quality.	Filter has reached the end of life.	Replace the filter.
	The system hasn't been used for some time.	Turn on the faucet and allow the water to run for 5 minutes.
	The inlet water quality is poor.	Always use municipal tap water as the water source. Do not use water that is microbiologically unsafe or of unknown quality without adequate disinfection before or after the system.
There is leakage.	Pipes or filters are not installed properly.	Reinstall according to chapter IV.
	Gasket of the filter is worn.	Contact consumer care.
	Gasket of the faucet is worn.	Contact consumer care.
	Components are damaged.	Contact consumer care.
Filter lifetime indicators don't light up when the faucet is turned on.	The batteries are not installed properly.	Reinstall the batteries.
	The voltage is low.	Replace with new batteries.
The reset button doesn't work.	Didn't press the button long enough to trigger the reset.	Long press the reset button for 5 seconds.

IX. Guarantee & Service

If you need information or if you have any problems, please visit www.philips.com or contact the consumer care center in your country. If there is no consumer care center in your country, go to a local dealer. Within two years from the date of purchase, you will receive free warranty service for any damage caused by the manufacturing process, or components under normal operation confirmed by our maintenance service. The warranty service does not include frequently replaced consumable components, auxiliary devices, transportation fees, and door-to-door service. Please show the proof of purchase to the service personnel during maintenance.

X. Packaging list

System	1X
CBPA filter	1X
UF filter	1X
CB filter	1X
Three-way ball valve	1X
1/4" PE pipe	1X
Faucet and accessory	1X
User manual	1X

Note: the AAA batteries need to be purchased separately.

Contenido

I. Introducción del producto	16
------------------------------	----

II. Especificaciones del producto	16
-----------------------------------	----

III. Descripción general del producto e ilustración de instalación	17
---	----

IV. Instalación	18
Instale la válvula de bola de tres vías	18
Instale el grifo	20
Instalación del sistema	21

V. Instrucción de uso	25
Antes del primer uso	25
Interfaz de usuario	25

VI. Mantenimiento	26
Mantenimiento de rutina	26
Duración de los filtros	27
Reemplazo del cartucho de filtro	27

VII. Precauciones	28
Advertencia	28

VIII. Resolución de problemas	29
-------------------------------	----

IX. Garantía y servicio	30
-------------------------	----

X. Lista de componentes	30
-------------------------	----



Instalación


I. Introducción del producto

¡Felicitaciones por su compra y bienvenido a Philips! Nuestro sistema de filtración de agua debajo del fregadero AUT3234 cuenta con una ultrafiltración de 4 etapas, que reduce eficazmente partículas, metales pesados, compuestos orgánicos volátiles, pesticidas, bacterias y contaminantes de hasta 0,01 micras*, mientras que al mismo tiempo retiene minerales beneficiosos.

Lea este manual de usuario detenidamente antes de utilizar el aparato. Guárdelo para referencias futuras.

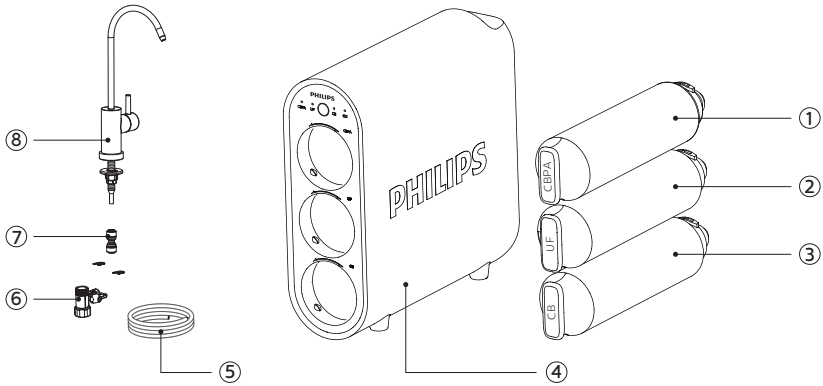
* Las sustancias eliminadas o reducidas por este sistema no están necesariamente en el agua de todos los usuarios.

II. Especificaciones del producto

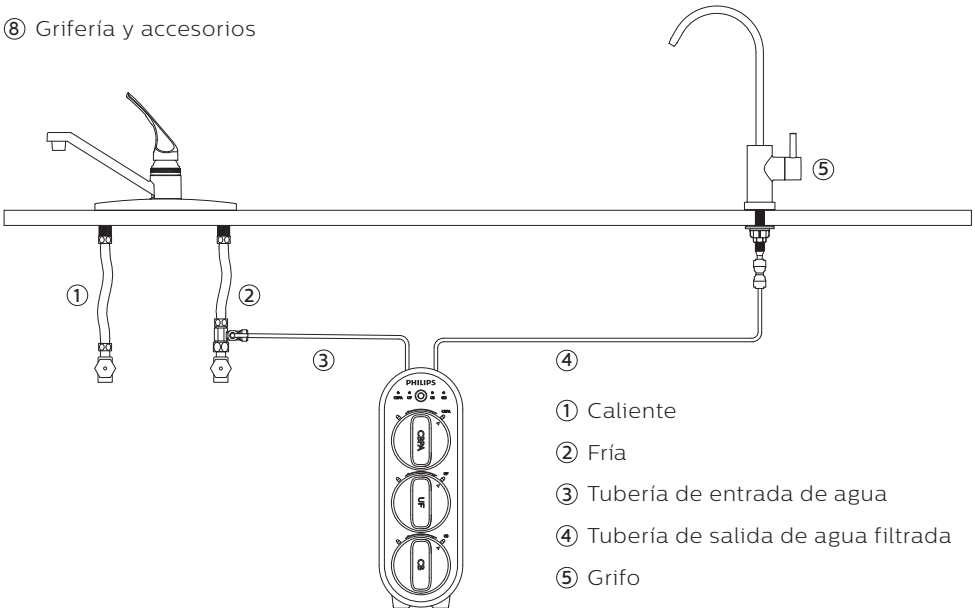
Nombre del producto	Sistema de filtración de agua debajo del fregadero de Philips
Modelo del Producto	AUT3234
Caudal de agua filtrada	2 litros/minuto
Capacidad de filtración	Filtro CBPA: 4.000 litros Filtro UF: 8.000 litros Filtro CB: 4.000 litros
Voltaje nominal	4.5V 
Presión de entrada de agua	0,1-0,4 MPa**
Temperatura del agua de entrada	5°C-38°C
Fuente de agua aplicable	Agua del grifo municipal, que cumple con todos los requisitos de la Directiva europea sobre agua para consumo humano 98/83 y sus transposiciones nacionales en los distintos estados miembros de la UE.

** Cuando la presión del agua de entrada supera los 0,4 MPa, se debe instalar una válvula de alivio de presión antes del sistema. Cuando la presión del agua de entrada es inferior a 0,1 MPa, se debe instalar un amplificador de presión antes del sistema. La válvula de alivio de presión y el amplificador de presión adicionales deben comprarse por separado.

III. Descripción general del producto e ilustración de instalación



- ① Filtro de bloque de carbono y sedimentos 2 en 1 (CBPA)
- ② Filtro de membrana de fibra hueca (UF)
- ③ Filtro de bloque de carbón (CB)
- ④ Sistema
- ⑤ Tubería de PE de 1/4 "
- ⑥ Válvula de bola de tres vías
- ⑦ Accesorio de conexión rápida
- ⑧ Grifería y accesorios



- ① Caliente
- ② Fría
- ③ Tubería de entrada de agua
- ④ Tubería de salida de agua filtrada
- ⑤ Grifo

IV. Instalación

Nota:

- Antes de la instalación, es importante verificar el estado del sistema para asegurarse de que no se haya dañado durante el transporte.
- Desembale el sistema y sus accesorios. Retire el material de embalaje protector. Se han utilizado materiales reciclables para el embalaje y deben eliminarse en los contenedores de reciclaje apropiados o en el centro de reciclaje local específico.

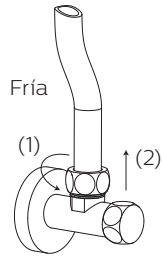
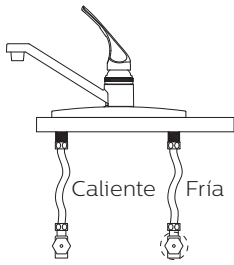
Advertencia: Mantenga las bolsas de plástico fuera del alcance de los niños, ya que pueden ser peligrosas.

- Compruebe si falta algo de acuerdo con la lista de empaque y la descripción general.
- Dado que el sistema mejorará la calidad de su agua potable, todas las herramientas que se utilizarán en el proceso de instalación deben estar limpias, libres de óxido y grasa.
- El proceso de instalación debe realizarse en condiciones higiénicas adecuadas, tomando todas las precauciones necesarias en cuanto a materiales y componentes que entrarán en contacto con el agua a tratar o consumir.
- Evite la contaminación externa del sistema mediante un manejo inadecuado, el uso de guantes, gel desinfectante y el lavado de manos con la frecuencia necesaria durante el proceso de instalación, primer uso y mantenimiento del sistema.
- El sistema y la instalación deben cumplir con las normativas locales aplicables.
- Este producto no se puede eliminar con otros residuos domésticos. Al final de la vida útil del producto, debe devolverse al lugar de compra o al centro de reciclaje local, indicando que contiene componentes eléctricos y electrónicos. La recogida y el tratamiento adecuados del producto, que ya no se utilizará, contribuye a la conservación de los recursos naturales y evita los posibles riesgos para la salud pública.

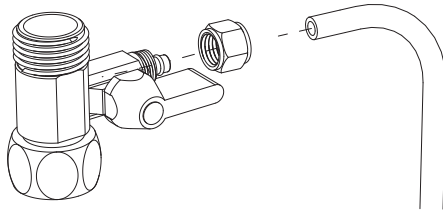


1. Instale la válvula de bola de tres vías

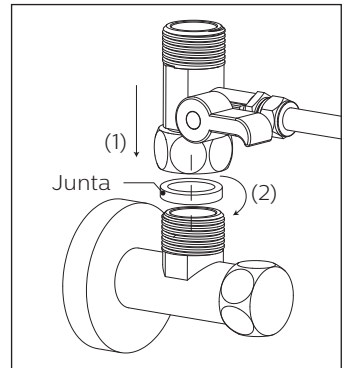
- a. Corte el suministro de agua fría. Abra el grifo de agua fría de la cocina para liberar la presión y permitir que el agua se drene de la tubería. Desconecte la manguera de agua fría de la válvula de agua fría.



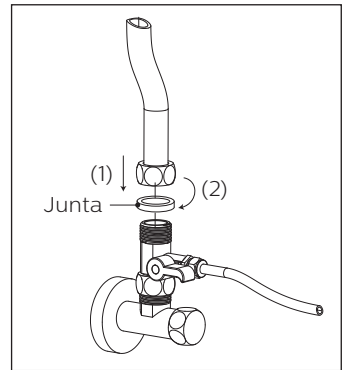
- b. Deslice la tuerca de la válvula de bola de tres vías en la tubería de PE de 1/4" e inserte la tubería en la abertura de la válvula de bola de tres vías. Apriete la tuerca con una llave.



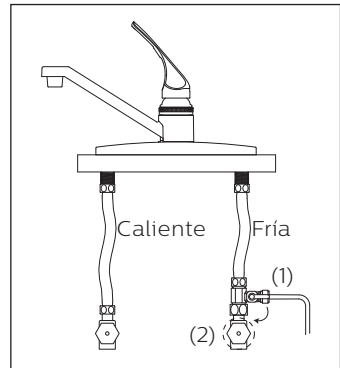
- c. Instale la válvula de bola de tres vías en la válvula de agua fría. No se olvide de la junta dentro de la válvula de bola de tres vías durante la instalación.



d. Conecte la manguera de agua fría con la válvula de bola de tres vías y atornillela firmemente con una llave. No se olvide de la junta de la manguera de agua fría durante la instalación.



e. Cierre la válvula de bola de tres vías. Active el suministro de agua fría. Limpie las conexiones con un pañuelo de papel para ver si hay fugas. Si el pañuelo permanece seco, significa que la válvula de bola de tres vías está instalada correctamente.



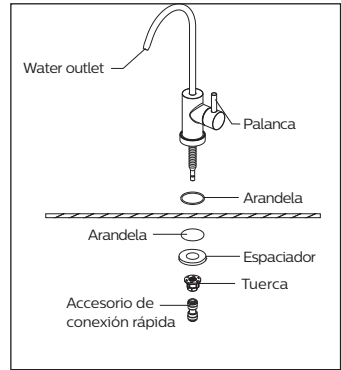
2. Instale el grifo

Nota:

Seleccione una posición de instalación adecuada. El entorno donde se instale el grifo debe cumplir con las condiciones adecuadas de higiene y saneamiento. Asegúrese de que el grifo quede plano sobre el fregadero o la superficie de la encimera.

a. Taladre un orificio con un diámetro de unos 25 mm. Omite este paso si ya hay un orificio en el fregadero o en la superficie de la encimera.

- b. Instale el grifo de acuerdo con el diagrama.
Atornille la tuerca del vástago del grifo hasta arriba del vástago del grifo y apriétela para fijar el grifo.

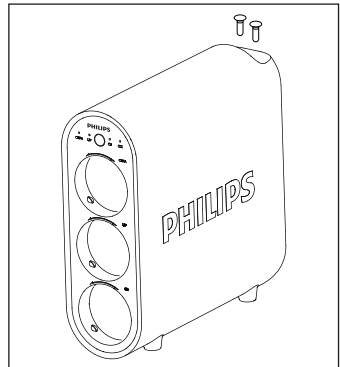


3. Instalación del sistema

Nota:

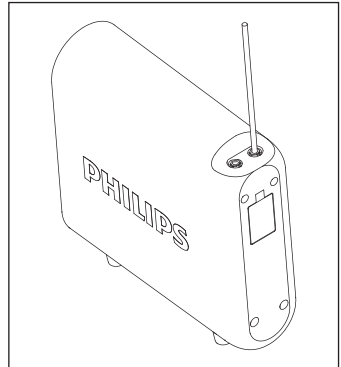
Compruebe si hay suficiente espacio para instalar el sistema en sí, sus accesorios, las conexiones y para el mantenimiento y la reparación. Bajo ninguna circunstancia se debe instalar el sistema al aire libre. El entorno donde se instala el sistema debe cumplir con las condiciones de higiene y saneamiento adecuadas. Evite cualquier goteo externo de líquidos de tuberías o desagües, etc. en el sistema. Este sistema debe colocarse sobre una superficie estable y plana. Mantenga el sistema alejado del calor. No debe colocarse en un lugar que pueda tener fugas de gas inflamable.

- a. Presione hacia abajo las pinzas y saque los tapones de los orificios de entrada y salida de agua en la parte posterior del sistema.



b. Conecte la entrada de agua y la válvula de bola de tres vías.

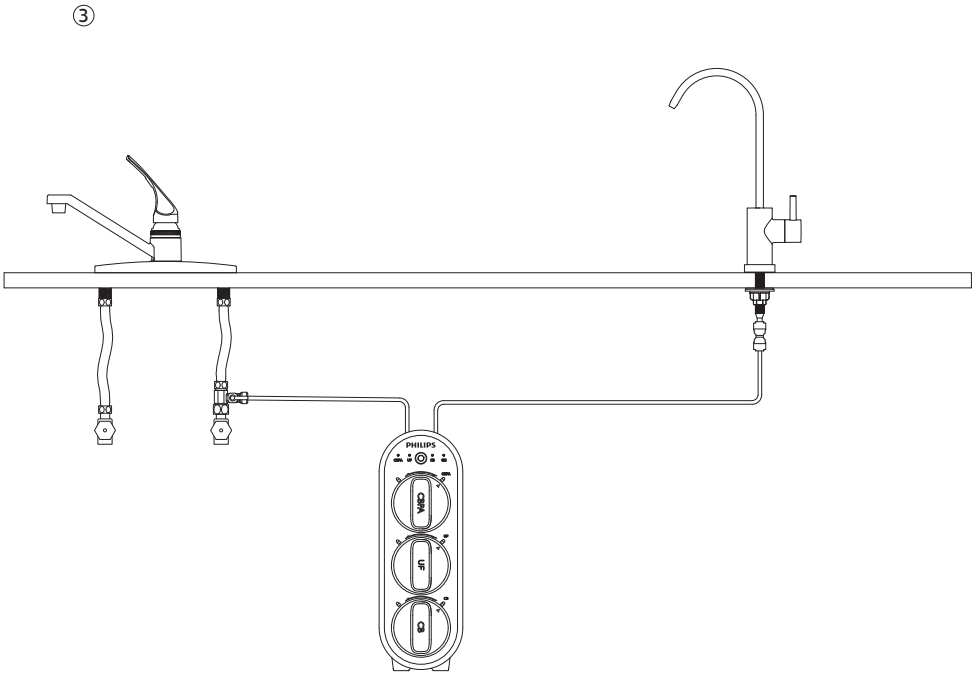
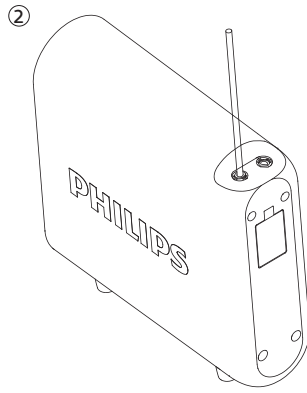
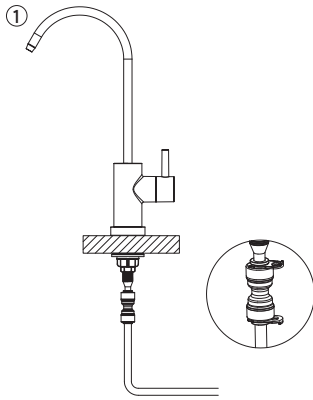
Mida la longitud de la tubería de 1/4" que necesita para conectar el sistema y la válvula de bola de tres vías, y córtela en consecuencia con un cortatubos. Inserte el otro extremo de la tubería de 1/4" que se ha conectado con la válvula de bola de tres vías en el orificio de entrada de agua en la parte posterior del sistema. Use una pinza para asegurar la tubería en el orificio.



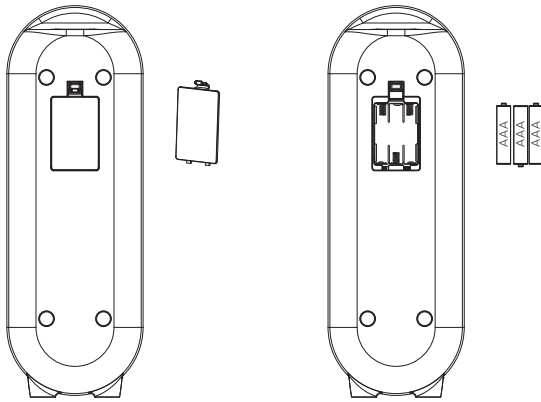
Nota: La presión del agua de entrada debe estar entre 0,1 y 0,4 MPa. Si la presión es demasiado baja, se debe instalar un amplificador de presión antes del sistema. Si la presión es demasiado alta, se debe instalar una válvula de alivio de presión antes del sistema. La válvula de alivio de presión y el amplificador de presión adicionales deben comprarse por separado.

c. Conecte la salida de agua y el grifo.

Mida la longitud de la tubería de 1/4" que necesita y córtelo con un cortatubos. Inserte un extremo de la tubería en un accesorio de conexión rápida y conecte el accesorio de conexión rápida en el vástago del grifo. Inserte el otro extremo de la tubería de 1/4" en el orificio de salida de agua en la parte posterior del sistema hasta que se detenga. Use una pinza para asegurar la tubería en el orificio.

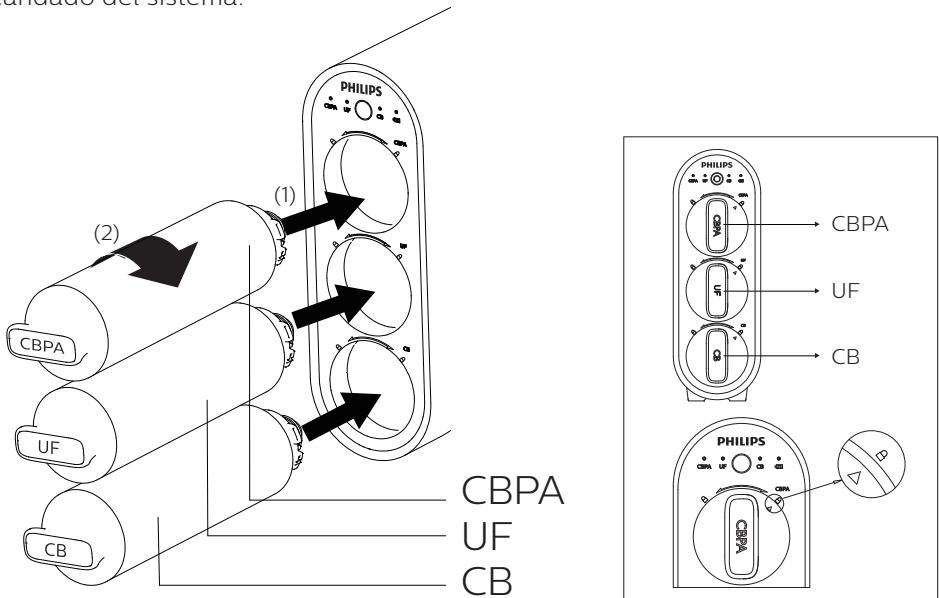


d. Coloque 3 pilas AAA.



e. Mueva el sistema a su espacio en el armario debajo del fregadero.

f. Retire la envoltura de plástico de los cartuchos de filtro. Inserte los cartuchos de filtro en el sistema según corresponda y gírelos en el sentido de las agujas del reloj para alinear el icono de triángulo del cartucho de filtro con el icono de candado del sistema.



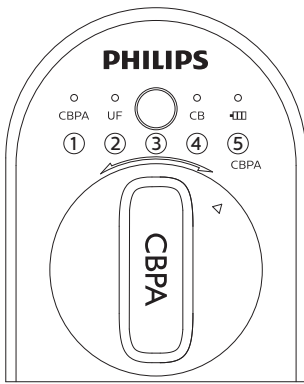
g. Compruebe si el sistema está instalado correctamente y encienda la válvula de bola de tres vías.

V. Instrucción de uso

1. Antes del primer uso

- a. Limpie todas las uniones y conexiones con un pañuelo para comprobar si hay fugas. Si el pañuelo permanece seco, significa que el sistema está instalado correctamente.
- b. Abra el grifo para permitir que el agua corra durante 10 minutos para eliminar el aire y las partículas de carbón a través de los filtros. Después de eso, el sistema está listo y puede comenzar a consumir el agua filtrada.

2. Interfaz de usuario



- ① Indicador de vida útil del filtro CBPA
- ② Indicador de vida útil del filtro UF
- ③ Botón de reinicio
- ④ Indicador de vida útil del filtro CB
- ⑤ Indicador de duración de la batería

Cuando se abre el grifo, todos los indicadores se iluminarán para mostrar la vida útil del filtro y la vida útil de la batería.

Cuando el sistema está en modo de espera, todos los indicadores estarán apagados. Puede pulsar el botón de reinicio y los indicadores se iluminarán para mostrar la vida útil del filtro y la vida útil de la batería.

a. Indicador de vida útil del filtro

Estado	Indicador	Alerta sonora
Más de 7 días	Luz azul constante	No disponible
Menos de 7 días o ha llegado al final de su vida útil	Luz azul intermitente	Habrà pitidos cada vez que se abra el grifo, recordándole que debe reemplazar el filtro.

b. Indicador de vida útil de la batería

Estado	Indicador	Alerta sonora
Hay suficiente batería	Luz azul constante	No disponible
El nivel de batería está bajo	Luz azul intermitente	Habrán pitidos cada vez que se abra el grifo, recordándole que debe reemplazar las baterías.

c. Botón de restablecimiento

Para restablecer la vida útil del filtro, mantenga pulsado el botón de restablecimiento durante 5 segundos. Oirá un pitido y el indicador de la vida útil del filtro CBPA parpadeará en azul. Pulse brevemente el botón de restablecimiento nuevamente para seleccionar el filtro que debe restablecerse. Cuando el indicador del filtro seleccionado parpadee, mantenga pulsado el botón de restablecimiento durante 3 segundos. Oirá un pitido y el indicador mostrará una luz azul constante. Esto significa que la vida útil del filtro se ha restablecido correctamente.

VI. Mantenimiento

1. Mantenimiento de rutina

- No se deben utilizar disolventes orgánicos como gasolina, etc. para limpiar la carcasa del dispositivo. Si es necesario limpiarlo, limpie suavemente la superficie del producto con un paño húmedo después de desconectarlo de la fuente de alimentación.
- Si el sistema no se usa durante más de 2 días, abra el grifo y deje correr el agua durante al menos 5 minutos para lavar los filtros y el sistema.
- Si el sistema no se va a utilizar durante un período prolongado, saque los cartuchos de filtro, séllelos con envoltorios de plástico y guárdelos en el frigorífico (no en el congelador). Cierre la válvula de bola de tres vías, abra el grifo para vaciar el sistema y quite las pilas. Antes de volver a usarlo, deje correr el agua durante al menos 10 minutos para limpiar los filtros y el sistema.

2. Duración de los filtros

Nota

Para obtener el mejor rendimiento, cambie el cartucho de filtro de acuerdo con el indicador de vida útil del filtro o el ciclo de reemplazo del filtro que se sugiere a continuación. Cuando se observa un caudal significativamente menor, recomendamos cambiar también los filtros.

Este sistema solo puede funcionar con filtros Philips

Filtro	Código de modelo	Vida útil del filtro
Filtro CBPA	AUT805	6-12 meses*
Filtro UF	AUT825	24 meses*
Filtro CB	AUT806	6-12 meses*

* La vida útil real del cartucho de filtro depende de la calidad del agua del grifo local y del uso diario. El ciclo de sustitución recomendado es un promedio basado en la calidad del agua del grifo local diferente. Si la calidad del agua del grifo local está por debajo del promedio, la vida útil real del cartucho diferirá del ciclo de sustitución recomendado. Si el cartucho del filtro está bloqueado, reemplácelo.

3. Reemplazo del cartucho de filtro

- Corte el suministro de agua y abra el grifo para permitir que el agua se drene de la tubería.
- Gire el filtro que necesita reemplazar en sentido antihorario y extráigalo.
- Retire el embalaje del nuevo filtro e inserte el cartucho en el sistema.
Gírelo en el sentido de las agujas del reloj para alinear el icono triangular del cartucho del filtro con el icono de candado del sistema.
- Abra el suministro de agua y el grifo. Deje correr el agua durante 10 minutos.
- Restablezca la vida útil del filtro según el capítulo V.

VII. Precauciones

1. Advertencia

- Este NO es un purificador de agua. Utilice siempre agua del grifo municipal como fuente de agua. No utilice agua microbiológicamente no segura o de calidad desconocida sin una desinfección adecuada antes o después del sistema.
- Este sistema no está diseñado para que lo utilicen personas (incluidos niños) con capacidades físicas, sensoriales o mentales reducidas, o con falta de experiencia y conocimiento, a menos que hayan recibido supervisión o instrucciones sobre el uso del aparato por una persona responsable de su seguridad. Los niños deben ser supervisados para asegurarse de que no jueguen con el sistema.
- Asegúrese de manipular el sistema suavemente y con cuidado. No intente modificar o reparar el sistema usted mismo; de lo contrario, la garantía dejará de ser válida.
- Este dispositivo está diseñado para uso doméstico únicamente.
- La temperatura del agua de entrada del sistema debe estar entre 5-38 °C. Cuando la temperatura del agua de entrada supera los 38 °C , el filtro podría dañarse y quedar inservible. Si la temperatura del agua de entrada es inferior a 5 °C , puede provocar congelación y la rotura de partes del sistema, lo que provocaría una fuga de agua.
- No invierta el orden de instalación de los cartuchos de filtro para evitar afectar el rendimiento del filtro del sistema.
- Si el sistema es anormal o defectuoso, deje de usarlo inmediatamente. Cierre la válvula de entrada de agua y abra el grifo para vaciar el sistema. Los eventos de fallos incluyen:
 - Fuga
 - El producto está agrietado o dañado.
 - Se escucha un sonido anormal o un olor a quemado.
 - La máquina no funciona
 - Comuníquese con el servicio de atención al consumidor para una inspección de inmediato.
- Si no usa el sistema durante un período prolongado, corte el suministro de agua y abra el grifo para liberar la presión interna y evitar daños en el sistema.

VIII. Resolución de problemas

Problema	Causa posible	Solución
No sale agua del grifo.	La válvula de agua fría o la válvula de bola de tres vías está cerrada.	Abra las válvulas.
	El filtro está bloqueado.	Reemplace el filtro.
	El filtro no está instalado correctamente.	Vuelva a instalar el filtro según el capítulo VI.
El caudal se vuelve más lento.	El filtro está bloqueado.	Reemplace el filtro.
	La presión del agua de entrada es baja.	Espere hasta que la presión del agua de entrada se estabilice o instale un dispositivo de aumento de presión antes del sistema si la presión del agua de entrada es constantemente inferior a 0,1 MPa.
Mala calidad del agua de salida	El filtro ha llegado al final de su vida útil.	Reemplace el filtro.
	El sistema no se ha utilizado durante algún tiempo.	Abra el grifo y deje correr el agua durante 5 minutos.
	La calidad del agua de entrada es mala.	Utilice siempre agua del grifo municipal como fuente de agua. No utilice agua microbiológicamente no segura o de calidad desconocida sin una desinfección adecuada antes o después del sistema.
Hay una fuga.	Las tuberías o los filtros no están instalados correctamente.	Vuelva a realizar la instalación de acuerdo con el capítulo IV.
	La junta del filtro está gastada.	Comuníquese con el servicio de atención al consumidor.
	La junta del grifo está gastada.	Comuníquese con el servicio de atención al consumidor.
	Los componentes están dañados.	Comuníquese con el servicio de atención al consumidor.

Los indicadores de vida útil del filtro no se encienden cuando se abre el grifo.	Las pilas no están instaladas correctamente.	Vuelva a instalar las pilas.
	El voltaje es bajo.	Sustituya con pilas nuevas.
El botón de restablecimiento no funciona.	No pulsó el botón el tiempo suficiente para activar el restablecimiento.	Mantenga pulsado el botón de restablecimiento durante 5 segundos.

IX. Garantía y servicio

Si necesita información o si tiene algún problema, visite www.philips.com o comuníquese con el centro de atención al consumidor de su país. Si no hay un centro de atención al consumidor en su país, vaya a un distribuidor local. En un plazo de dos años a partir de la fecha de compra, recibirá el servicio de garantía gratuito por cualquier daño causado por el proceso de fabricación o componentes en funcionamiento normal confirmados por nuestro servicio de mantenimiento. El servicio de garantía no incluye componentes consumibles reemplazados con frecuencia, dispositivos auxiliares, tarifas de transporte y servicio puerta a puerta. Muestre el comprobante de compra al personal de servicio durante el mantenimiento.

X. Lista de componentes

Sistema	1
Filtro CBPA	1
Filtro UF	1
Filtro CB	1
Válvula de bola de tres vías	1
Tubería PE de 1/4"	1
Grifería y accesorios	1
Manual de usuario	1

Nota: Las pilas AAA deben comprarse por separado.

Contenu

I. Présentation du produit	33
----------------------------	----

II. Spécification du produit	33
------------------------------	----

III. Présentation du produit et illustration de l'installation	34
--	----

IV. Installation	35
Installer le robinet à boisseau sphérique à trois voies	35
Installer la robinetterie	37
Installation du système	38

V. Mode d'emploi	42
Avant la première utilisation	42
Interface de l'utilisateur	42

VI. Entretien	43
Entretien de routine	43
Durée de vie du filtre	44
Remplacement de la cartouche de filtration	44

VII. Précautions	45
Avertissement	45

VIII. Diagnostic des défaillances	46
-----------------------------------	----

IX. Garantie et service	47
-------------------------	----

X. Liste du colis	47
-------------------	----



Installation


I. Présentation du produit

Félicitations pour votre achat et bienvenue chez Philips ! Notre système de filtration d'eau sous évier AUT3234 est doté d'un dispositif d'ultrafiltration en 4 phases, qui réduit efficacement les particules, les métaux lourds, les composés organiques volatils, les pesticides, les bactéries et les agents polluants jusqu'à 0,01 micron*, tout en conservant simultanément les minéraux bénéfiques.

Lire attentivement le présent mode d'emploi avant d'utiliser le dispositif.
Le conserver aux fins de référence future.

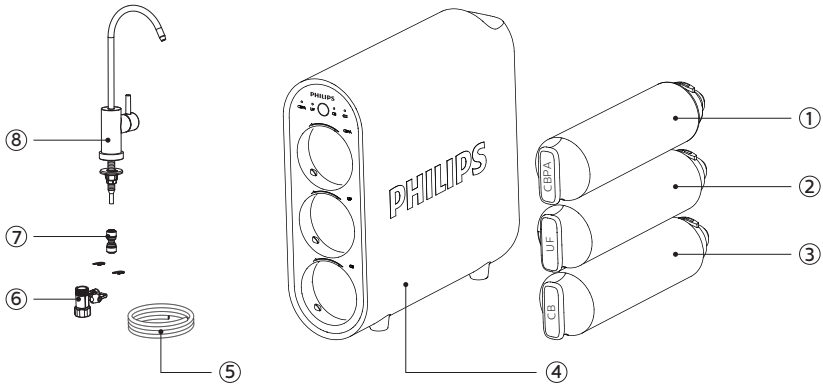
* Les substances éliminées ou réduites par ce système ne se trouvent pas nécessairement dans l'eau de tous les utilisateurs.

II. Spécification du produit

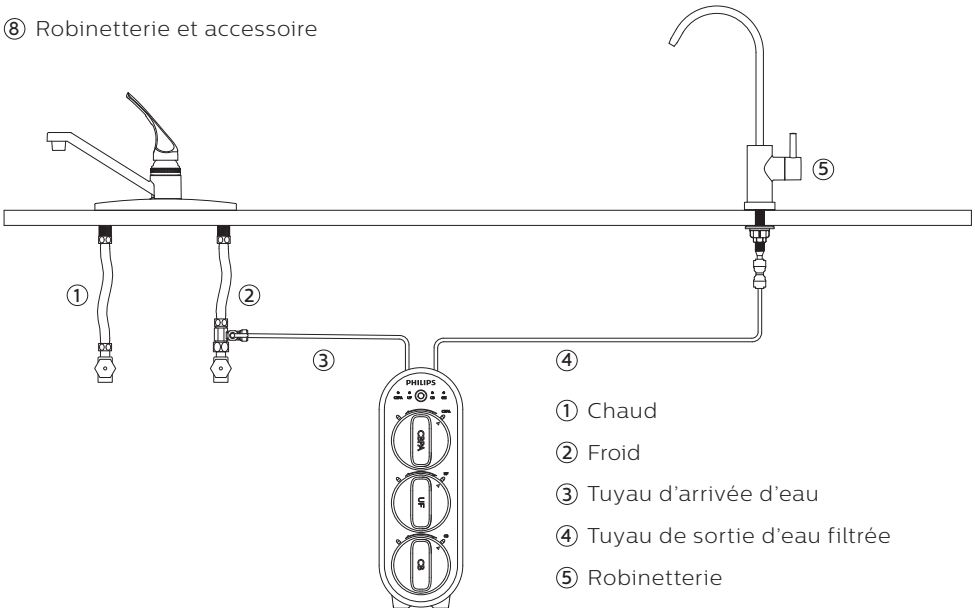
Nom du produit	système de filtration d'eau sous évier Philips
Modèle du produit	AUT3234
Débit d'eau filtrée	2 litres/minute
Capacité de filtration	Filtre CBPA : 4 000 litres Filtre UF : 8 000 litres Filtre CB : 4 000 litres
Tension nominale	4.5V 
Pression d'admission d'eau	0,1 - 0,4 MPa**
Température d'admission d'eau	5°C-38°C
Source d'eau applicable	Eau du robinet répondant à l'ensemble des exigences de la Directive européenne sur l'eau pour la consommation humaine n° 98/83 et ses transpositions nationales dans les différents États membres de l'UE.

** Lorsque la pression d'admission d'eau dépasse 0,4 MPa, une soupape de surpression doit être installée en amont du système. Lorsque la pression d'admission d'eau est inférieure à 0,1 MPa, un dispositif de surpression doit être installé en amont du système. La soupape de surpression et le dispositif de surpression additionnels doivent être achetés séparément.

III. Présentation du produit et illustration de l'installation



- ① Filtre à bloc de carbone et sédiments 2-en-1 (CBPA)
- ② Filtre à fibre creuse à membrane (UF)
- ③ Filtre à bloc de carbone (CB)
- ④ Système
- ⑤ Tuyau PE 1/4"
- ⑥ Robinet à boisseau sphérique à trois voies
- ⑦ Raccord rapide
- ⑧ Robinetterie et accessoire



- ① Chaud
- ② Froid
- ③ Tuyau d'arrivée d'eau
- ④ Tuyau de sortie d'eau filtrée
- ⑤ Robinetterie

IV. Installation

Remarque:

- Il est important avant l'installation de vérifier l'état du système pour s'assurer qu'il n'a pas été endommagé au cours du transport.
- Déballez le système et ses accessoires. Retirez le matériau d'emballage protecteur. Des matériaux recyclables ont été utilisés à cette fin et doivent être éliminés dans les bacs de recyclage dédiés ou collectés dans un centre de recyclage local spécifique.

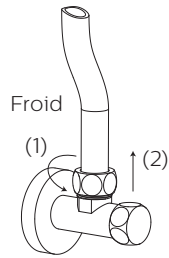
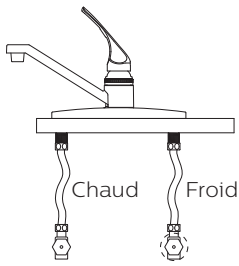
Avertissement : tenir les sacs en plastique hors de la portée des enfants, car ils peuvent être dangereux.

- Vérifier la complétude de la liste du colis et l'aperçu.
- Étant donné que le système améliorera la qualité de votre eau potable, tous les outils utilisés dans le processus d'installation doivent être propres, démunis de rouille et de graisse.
- Le processus d'installation doit être réalisé dans des conditions d'hygiène adéquates, en prenant toutes les précautions requises relatives aux matériaux et aux composants qui entreront en contact avec l'eau à traiter ou de consommation.
- Éviter la contamination externe du système par une manipulation inappropriée, en utilisant des gants, du gel désinfectant et en lavant les mains aussi souvent que nécessaire au cours du processus d'installation, de la première utilisation et de l'entretien du système.
- Le système et l'installation doivent être conformes aux réglementations locales en vigueur.
- Le présent produit ne peut être jeté avec les autres déchets ménagers. En fin de durée de vie, le produit doit être retourné au lieu d'achat ou dans un centre de recyclage local, en indiquant qu'il contient des composants électriques et électroniques. La collecte et le traitement adéquats du produit ne devant plus être utilisé contribuent à la préservation des ressources naturelles et évitent tout risque potentiel en termes de santé publique.

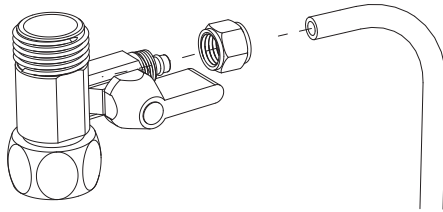


1. Installer le robinet à boisseau sphérique à trois voies.

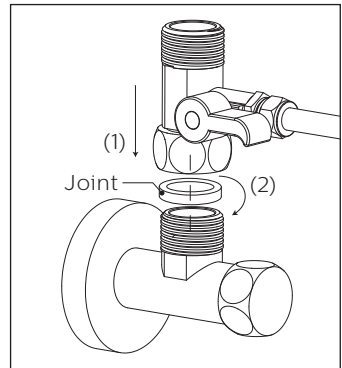
- a. Couper l'alimentation en eau froide. Ouvrir la robinetterie d'eau froide de la cuisine pour relâcher la pression et permettre à l'eau d'être évacuée de la conduite. Déconnecter le tuyau d'eau froide du robinet d'eau froide.



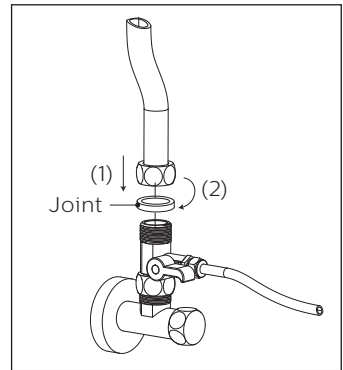
b. Faire glisser l'écrou du robinet à boisseau sphérique à trois voies sur le tuyau PE 1/4" et insérer le tuyau dans l'ouverture du robinet à boisseau sphérique à trois voies. Serrer l'écrou avec une clé.



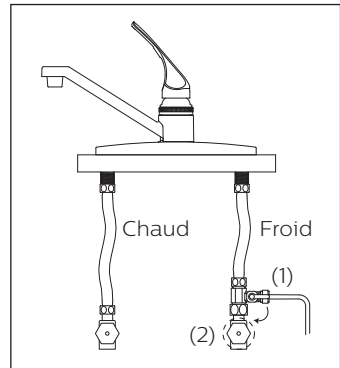
c. Installer le robinet à boisseau sphérique à trois voies sur le robinet d'eau froide. Ne pas oublier le joint situé à l'intérieur du robinet à boisseau sphérique à trois voies au cours du montage.



d. Connecter le tuyau d'eau froide au robinet à boisseau sphérique à trois voies et le visser fermement avec une clé. Ne pas oublier le joint situé à l'intérieur du tuyau d'eau froide au cours du montage.



e. Fermer le robinet à boisseau sphérique à trois voies. Ouvrir l'alimentation en eau froide. Essuyer les raccords avec un mouchoir pour localiser la présence d'éventuelles fuites. Si le tissu reste sec, cela signifie que le robinet à boisseau sphérique à trois voies est installé de manière appropriée.



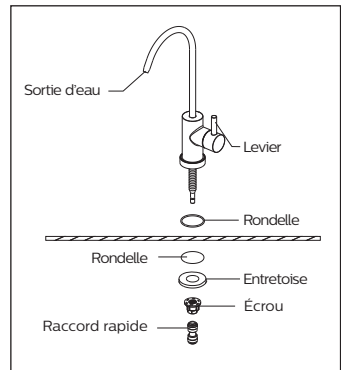
2. Installer la robinetterie

Remarque:

Sélectionner une position de montage adéquate. L'environnement dans lequel la robinetterie est installée doit respecter toutes les conditions d'hygiène et d'assainissement requises. S'assurer que la robinetterie repose à plat sur le dessus de l'évier ou du plan de travail.

a. Percer un orifice d'un diamètre d'environ 25 mm. Passer cette étape s'il y a déjà un orifice dans l'évier ou le plan de travail.

b. Installer la robinetterie conformément au schéma. Visser l'écrou de la tige de robinetterie jusqu'en haut de la tige et le serrer pour sécuriser la robinetterie.



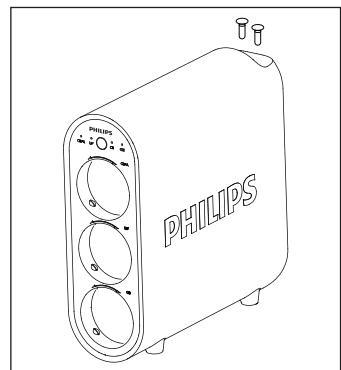
3. Installation du système

Remarque:

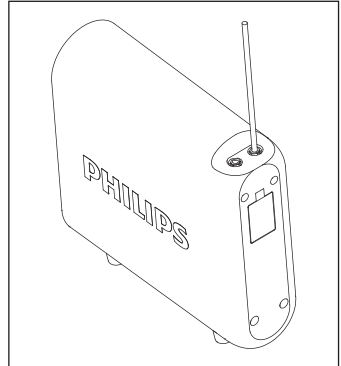
Vérifier s'il y a suffisamment d'espace pour installer le système en lui-même, ses accessoires, les raccords et pour l'entretien et la réparation. Le système ne doit en aucun cas être installé en extérieur. L'environnement dans lequel le système est installé doit respecter toutes les conditions d'hygiène et d'assainissement requises. Éviter tout écoulement externe de liquides sur le système, issus de tuyaux ou de vidanges, etc.

Ce système doit être placé sur une surface stable et plane. Tenir le système à l'écart de la chaleur. Il ne doit pas être placé dans un endroit pouvant présenter des fuites de gaz inflammables.

a. Appuyer sur les douilles de serrage et retirer les bouchons des orifices d'admission et de sortie d'eau à l'arrière du système.

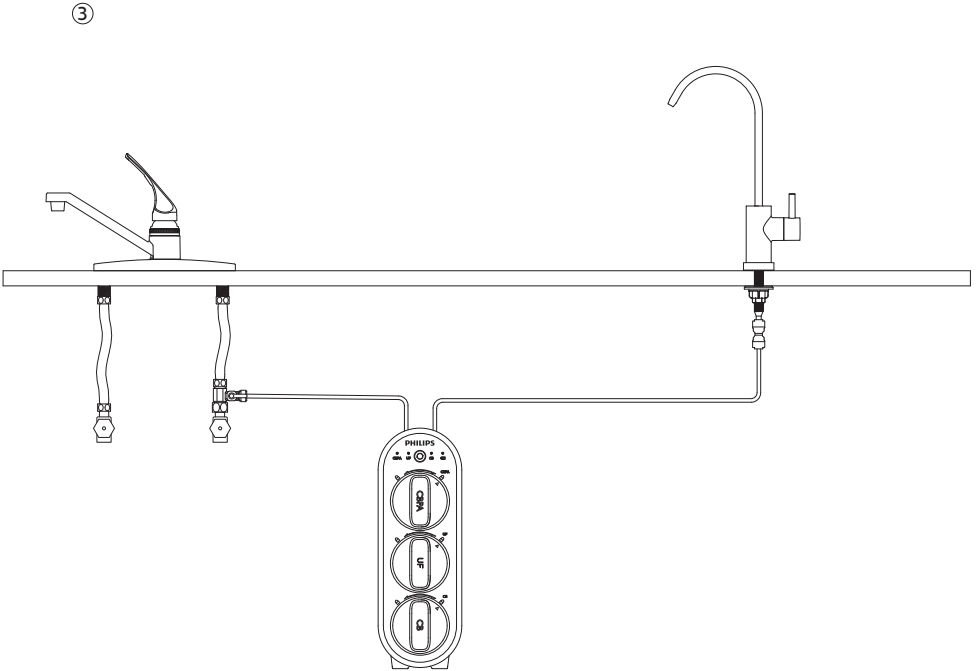
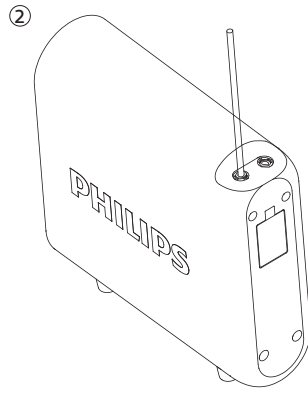
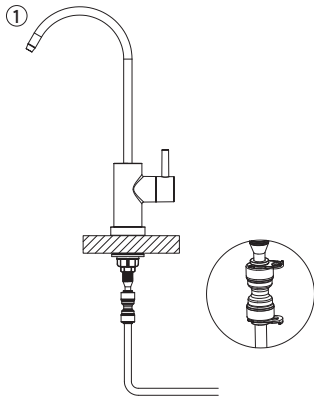


- b. Connecter l'admission d'eau et le robinet à boisseau sphérique à trois voies. Mesurer la longueur du tuyau 1/4" requise pour raccorder le système et le robinet à boisseau sphérique à trois voies, et le couper en conséquence avec un dispositif dédié. Insérer l'autre extrémité du tuyau 1/4" raccordé au robinet à boisseau sphérique à trois voies dans l'ouverture d'admission d'eau à l'arrière du système. Utiliser un clip pour sécuriser le tuyau au niveau de l'orifice.

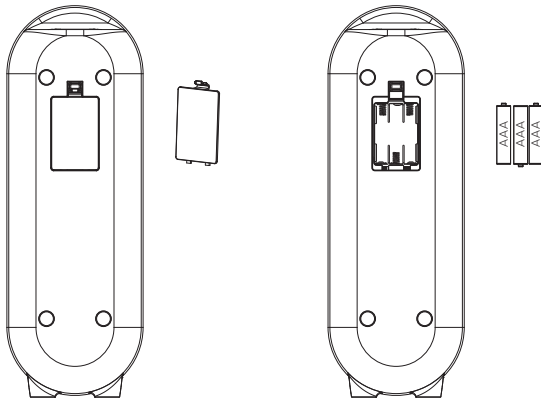


Remarque: la pression de l'eau d'admission doit être comprise entre 0,1 et 0,4 MPa. Si la pression est trop basse, un dispositif de surpression doit être installé en amont du système. Si la pression est trop élevée, une soupape de surpression doit être installée en amont du système. La soupape de surpression et le dispositif de surpression additionnels doivent être achetés séparément.

- c. Raccorder la sortie d'eau et la robinetterie. Mesurer la longueur du tuyau 1/4" requise et le couper en conséquence avec un dispositif dédié. Insérer une extrémité du tuyau dans le raccord rapide et connecter ce dernier sur la tige de la robinetterie. Insérer l'autre extrémité du tuyau 1/4" dans l'orifice de sortie de l'eau à l'arrière du système jusqu'à son blocage. Utiliser un clip pour sécuriser le tuyau au niveau de l'orifice.

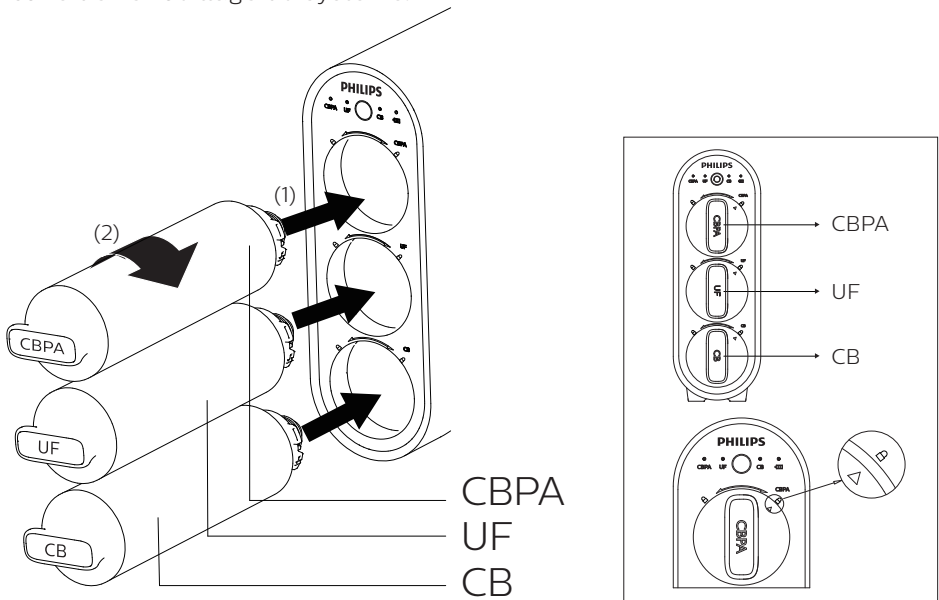


d. Mettre 3 piles AAA.



e. Placer le système dans l'emplacement dédié sous l'évier.

f. Retirer le film plastique des cartouches de filtration. Insérer les cartouches de filtration dans le système de manière conforme et les tourner dans le sens horaire de sorte à aligner l'icône du triangle de la cartouche de filtration avec l'icône de verrouillage du système.



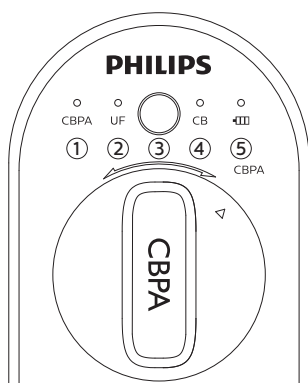
g. Vérifier si le système est correctement installé et ouvrir le robinet à boisseau sphérique à trois voies.

V. Mode d'emploi

1. Avant la première utilisation

- Essuyer tous les joints et raccords avec un mouchoir pour vérifier l'absence de fuites. Si le tissu reste sec, cela signifie que le système est installé de manière appropriée.
- Ouvrir la robinetterie pour permettre à l'eau de couler pendant 10 minutes pour chasser l'air et les éléments en carbone à travers les filtres. Le système sera alors prêt et l'eau filtrée pourra être consommée.

2. Interface de l'utilisateur



- ① Voyant de durée de vie du filtre CBPA
- ② Voyant de durée de vie du filtre UF
- ③ Touche de réinitialisation
- ④ Voyant de durée de vie du filtre CB
- ⑤ Indicateur de durée de vie de la batterie

Lorsque la robinetterie est ouverte, tous les voyants s'allument pour indiquer la durée de vie du filtre et la durée de vie de la pile.

Lorsque le système est en mode Veille, tous les voyants seront éteints. Appuyer sur la touche de réinitialisation pour voir les voyants s'allumer et indiquer la durée de vie du filtre et la durée de vie de la batterie.

a. Voyant de durée de vie du filtre

Statut	Voyant	Alerte sonore
Plus de 7 jours	Lumière bleue permanente	N/A
Moins de 7 jours ou en fin de vie	Lumière bleue clignotante	Des bips seront émis chaque fois que la robinetterie sera ouverte pour rappeler de remplacer le filtre

b. Voyant de durée de vie de la batterie

Statut	Voyant	Alerte sonore
La batterie est suffisante	Lumière bleue permanente	N/A
La pile est faible	Lumière bleue clignotante	Des bips seront émis chaque fois que la robinetterie sera ouverte pour rappeler de remplacer les batteries

c. Touche de réinitialisation

Pour réinitialiser la durée de vie du filtre, appuyer longuement sur la touche de réinitialisation pendant 5 secondes. Un bip sera émis et le voyant de durée de vie du filtre CBPA clignotera en bleu. Appuyer à nouveau brièvement sur la touche de réinitialisation pour sélectionner le filtre devant être réinitialisé. Lorsque le voyant du filtre sélectionné clignote, appuyer longuement sur la touche de réinitialisation pendant 3 secondes. Un bip sera émis et le voyant affichera une lumière bleue permanente. Cela signifie que la durée de vie du filtre a été réinitialisée avec succès.

VI. Entretien

1. Entretien de routine

- Les solvants organiques tels que l'essence, etc. ne doivent pas être utilisés pour essuyer le boîtier du dispositif. En cas de nécessité de nettoyage, essuyer doucement la surface du produit avec un chiffon humide après avoir débranché l'alimentation électrique.
- Si le système n'est pas utilisé pendant plus de 2 jours, ouvrir la robinetterie et laisser couler l'eau pendant au minimum 5 minutes de sorte à rincer les filtres et le système.
- Si le système n'est pas utilisé pendant une période prolongée, retirer les cartouches de filtration, les sceller avec un film plastique et les conserver au réfrigérateur (pas au congélateur). Fermer le robinet à boisseau sphérique à trois voies, ouvrir la robinetterie pour vider le système et retirer les piles. Avant l'utilisation suivante, laisser couler l'eau pendant au moins 10 minutes pour rincer les filtres et le système.

2. Durée de vie du filtre

Remarque

Pour de meilleures performances, changer la cartouche de filtration en fonction de l'indicateur de durée de vie du filtre ou du cycle de remplacement du filtre suggéré ci-dessous. En cas de baisse flagrante du débit, nous recommandons de changer également les filtres.

Ce système ne peut fonctionner qu'avec des filtres Philips.

Filtre	Code du modèle	Durée de vie du filtre
Filtre CBPA	AUT805	6-12 mois*
Filtre UF	AUT825	24 mois*
Filtre CB	AUT806	6-12 mois*

* La durée de vie réelle de la cartouche de filtration dépend de la qualité locale de l'eau du robinet et de l'utilisation quotidienne. Le cycle de remplacement recommandé est une moyenne basée sur des qualités d'eau du robinet différentes. Si la qualité locale de l'eau du robinet est inférieure à la moyenne, la durée de vie réelle de la cartouche sera différente de celle du cycle de remplacement recommandé. Si la cartouche de filtration est bloquée, la remplacer.

3. Remplacement de la cartouche de filtration

- Fermer l'alimentation en eau et ouvrir la robinetterie pour permettre à l'eau de s'écouler du tuyau.
- Tourner dans le sens antihoraire le filtre devant être remplacé et le sortir.
- Retirer l'emballage du nouveau filtre et insérer la cartouche dans le système. Tourner dans le sens horaire de sorte à aligner l'icône du triangle de la cartouche de filtration avec l'icône de verrouillage du système.
- Ouvrir l'alimentation en eau et la robinetterie. Laisser couler l'eau pendant 10 minutes.
- Réinitialiser la durée de vie du filtre conformément au chapitre V.

VII. Précautions

1. Avertissement

- CE N'EST PAS un purificateur d'eau. Toujours utiliser l'eau du robinet comme source d'eau. Ne pas utiliser d'eau dangereuse d'un point de vue microbiologique ou de qualité inconnue sans une désinfection adéquate en amont ou en aval du système.
- Le présent système ne doit pas être utilisé par des personnes (y compris des enfants) dont les capacités physiques, sensorielles ou intellectuelles sont réduites ou des personnes manquant d'expérience et de connaissances, à moins d'être sous surveillance ou d'avoir reçu des instructions par l'individu responsable de leur sécurité. Les enfants doivent être surveillés pour s'assurer qu'ils ne jouent pas avec le système.
- Manipuler le système avec douceur et précaution. Ne pas essayer de modifier ou de réparer le système soi-même, faute de quoi la garantie sera annulée.
- Le présent dispositif est destiné à un usage domestique uniquement.
- La température de l'eau d'admission du système doit être comprise entre 5 et 38 °C. Lorsque la température de l'eau d'admission dépasse 38 °C, le filtre peut être endommagé et rendu inutilisable. Si la température de l'eau d'admission est inférieure à 5 °C, cela peut provoquer le gel et la rupture des éléments du système, entraînant des fuites d'eau.
- Ne pas inverser l'ordre d'installation des cartouches de filtration pour éviter d'impacter les performances de filtration du système.
- Si le système est anormal ou défectueux, cesser immédiatement de l'utiliser. Fermer le robinet d'arrivée d'eau et ouvrir la robinetterie pour vider le système. Les défaillances comprennent les éléments suivants :
 - Fuite
 - Le produit est fissuré ou endommagé.
 - Il y a un son anormal ou une odeur de brûlé.
 - La machine ne fonctionne pas.
 - Contactez immédiatement le service client aux fins d'inspection.
- Si le système n'est pas utilisé pendant une période prolongée, fermer l'alimentation en eau et ouvrir la robinetterie pour relâcher la pression interne de sorte à ne pas endommager le système.

VIII. Diagnostic des défaillances

Problème	Cause possible	Solution
Aucune eau ne sort de la robinetterie.	L'alimentation en eau froide ou le robinet à boisseau sphérique à trois voies sont fermés.	Les ouvrir.
	Le filtre est bloqué.	Remplacer le filtre.
	Le filtre n'est pas installé de manière appropriée.	Réinstaller le filtre conformément au chapitre VI.
Le débit baisse.	Le filtre est bloqué.	Remplacer le filtre.
	La pression d'admission d'eau est faible.	Attendre que la pression d'admission d'eau se stabilise ou installer un dispositif de surpression en amont du système si la pression d'admission d'eau est constamment inférieure à 0,1 MPa.
Mauvaise qualité de l'eau de sortie.	Le filtre est en fin de durée de vie.	Remplacer le filtre.
	Le système n'a pas été utilisé depuis un certain temps.	Ouvrir la robinetterie et laisser couler l'eau pendant 5 minutes.
	La qualité de l'eau d'admission est mauvaise.	Toujours utiliser l'eau du robinet comme source d'eau. Ne pas utiliser d'eau dangereuse d'un point de vue microbiologique ou de qualité inconnue sans une désinfection adéquate en amont ou en aval du système.
Il y a une fuite.	Les tuyaux ou les filtres ne sont pas installés de manière adéquate.	Réinstaller conformément au chapitre IV.
	Le joint du filtre est usé.	Contacter le service client.
	Le joint de la robinetterie est usé.	Contact consumer care.
	Les composants sont endommagés.	Contacter le service client.
Les voyants de durée de vie du filtre ne s'allument pas lorsque la robinetterie est ouverte.	Le filtre n'est pas installé de manière appropriée.	Réinstaller les piles.
	La tension est faible.	Remplacer par des piles neuves.
La touche de réinitialisation ne fonctionne pas.	La touche n'a pas été enclenchée assez longtemps pour déclencher la réinitialisation.	Appuyer longuement sur la touche de réinitialisation pendant 5 secondes.

IX. Garantía y servicio

Si vous avez besoin d'informations ou si vous rencontrez des problèmes, veuillez-vous rendre sur www.philips.com ou contacter le service client de votre pays. S'il n'y a pas de centre d'assistance aux consommateurs dans votre pays, adressez-vous à un revendeur local. Dans les deux ans à compter de la date d'achat, vous bénéficierez d'un service de garantie gratuit pour tout dommage confirmé par notre service de maintenance, issu de la fabrication ou de l'utilisation normale des composants. Le service de garantie n'inclut pas les consommables fréquemment remplacés, les dispositifs auxiliaires, les frais de transport et le service de porte-à-porte. Veuillez fournir la preuve d'achat au personnel de service au cours de l'entretien.

X. Liste du colis

Système	1X
Filtre CBPA	1X
Filtre UF	1X
Filtre CB	1X
Robinet à boisseau sphérique à trois voies	1X
Tuyau PE 1/4"	1X
Robinetterie et accessoire	1X
Mode d'emploi	1X

Remarque: les piles AAA doivent être achetées séparément.

Indice

I. Introduzione prodotto	49
--------------------------	----

II. Specifica del prodotto	49
----------------------------	----

III. Panoramica del prodotto e illustrazioni per l'installazione	50
--	----

IV. Installazione	51
Installare la valvola a sfera a tre vie	51
Installare il rubinetto	53
Installazione dell'impianto	54

V. Istruzioni per l'uso	58
Prima del primo utilizzo	58
Interfaccia utente	58

VI. Manutenzione	59
Manutenzione ordinaria	59
Vita utile filtro	60
Sostituzione della cartuccia del filtro	60

VII. Precauzioni	61
Attenzione	61

VIII. Risoluzione dei problemi	62
--------------------------------	----

IX. Garanzia e assistenza	63
---------------------------	----

X. Lista d'imballaggio	63
------------------------	----



Installazione


I. Introduzione prodotto

Complimenti per l'acquisto e benvenuti nel mondo Philips! Il nostro sistema AUT3234 di filtraggio acqua sotto il lavandino assicura un ultra-filtraggio a 4 livelli, con efficace riduzione di particelle, metalli pesanti, composti organici volatili, pesticidi, batteri e sostanze inquinanti fino a 0,01 micron* – e al tempo stesso con preservazione di minerali benefici.

Prima di utilizzare il dispositivo si prega di leggere attentamente il presente manuale utente. Conservarlo per consultazioni future.

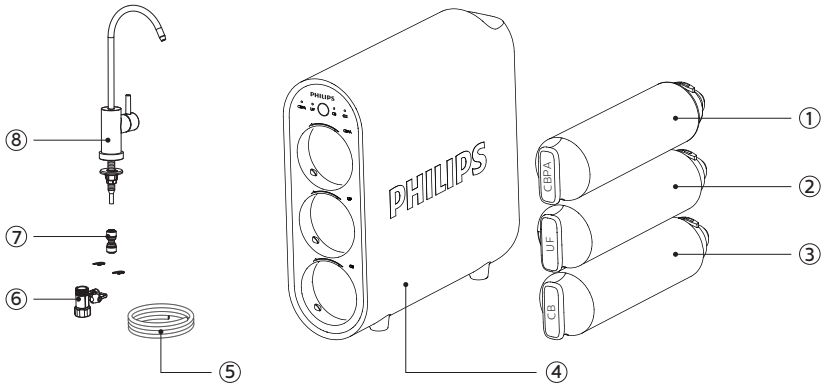
* Non è detto che le sostanze eliminate o ridotte dal sistema siano sempre necessariamente presenti in tutti i tipi di acqua utilizzati dagli utenti.

II. Specifica del prodotto

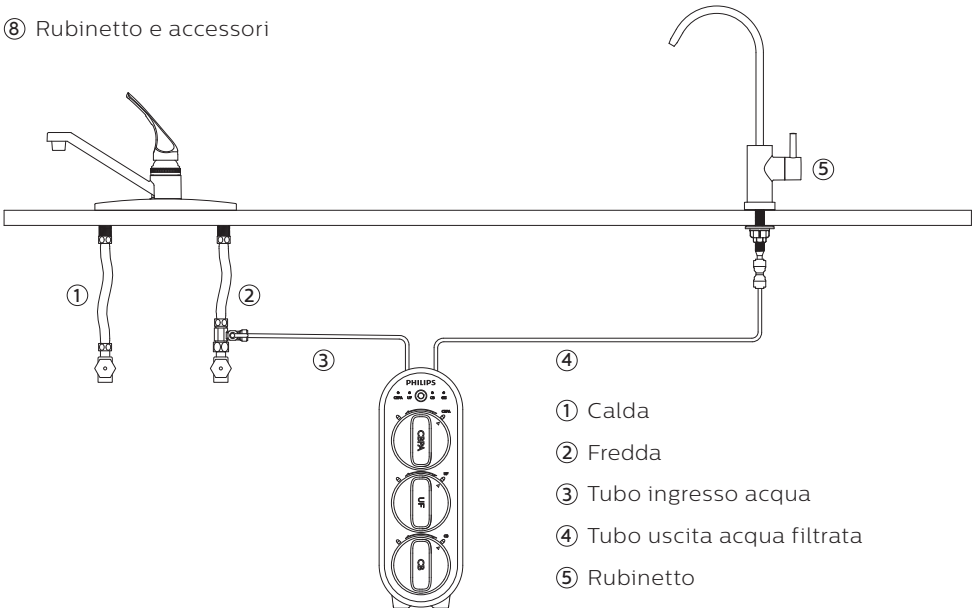
Nome prodotto	Sistema Philips di filtraggio acqua sotto il lavandino
Modello prodotto	AUT3234
Velocità di flusso acqua filtrata	2 litri/minuto
Capacità di filtraggio	Filtro CBPA: 4.000 litri Filtro UF: 8.000 litri Filtro CB: 4.000 litri
Tensione nominale	4.5V 
Pressione acqua in ingresso	0.1-0.4 MPa**
Temperatura acqua in ingresso	5°C-38°C
Risorsa idrica applicabile	Acqua comunale di rubinetto conforme alla direttiva europea 98/83 concernente la qualità delle acque destinate al consumo e rispettivi recipienti a livello nazionale nei paesi membri UE.

** Quando la pressione dell'acqua in ingresso è superiore a 0,4 MPa, è necessario installare una valvola di rilascio della pressione a monte dell'impianto. Quando la pressione dell'acqua in ingresso è superiore a 0,1 MPa, è necessario installare una valvola di rilascio della pressione a monte dell'impianto. La valvola di rilascio della pressione e il moltiplicatore di pressione vanno acquistati a parte.

III. Panoramica del prodotto e illustrazioni per l'installazione



- ① Blocco carbone e filtro sedimento 2 in 1 filtro (CBPA)
- ② Filtro con membrana a fibra cava (UF)
- ③ Filtro a blocchi di carbone (CB)
- ④ Impianto
- ⑤ Tubo 1/4" PE
- ⑥ Valvola a sfera a tre vie
- ⑦ Raccordo con connessione rapida
- ⑧ Rubinetto e accessori



- ① Calda
- ② Fredda
- ③ Tubo ingresso acqua
- ④ Tubo uscita acqua filtrata
- ⑤ Rubinetto

IV. Installazione

Nota:

- Prima dell'installazione è importante verificare le condizioni dell'impianto e assicurarsi che non si siano verificati danni durante il trasporto.
- Disimballare l'impianto e i suoi accessori. Rimuovere il materiale d'imballaggio protettivo. Per l'imballaggio sono stati utilizzati materiali riciclabili, che dovranno essere gettati negli appositi contenitori per la raccolta differenziata oppure consegnati al locale centro di raccolta rifiuti.

Attenzione: Tenere le buste di plastica lontano dalla portata dei bambini, poiché potrebbero rivelarsi pericolose.

- Verificare che siano presenti tutti gli elementi secondo la lista d'imballaggio e la panoramica.
- Dal momento che l'impianto è destinato a migliorare la qualità dell'acqua potabile, tutti gli strumenti usati in fase d'installazione devono essere puliti e privi di ruggine o grasso.
- Il processo d'installazione deve essere realizzato in condizioni igieniche adeguate, prendendo tutte le necessarie precauzioni in termini di materiali e componenti a contatto con l'acqua da trattare o da consumare.

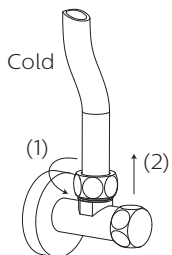
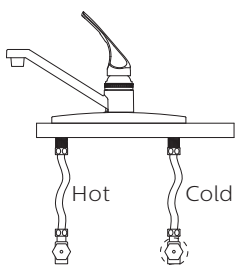
Evitare contaminazioni esterne dell'impianto dovute a manipolazione impropria. Usare guanti o gel disinfettante e lavarsi le mani ogniqualvolta sia necessario durante il processo d'installazione, al primo impiego e in fase di manutenzione dell'impianto.

- L'impianto e l'installazione devono essere conformi ai regolamenti locali applicabili.
- Il prodotto non può essere smaltito insieme ad altri prodotti classificati come rifiuti domestici. Al termine della vita utile sarà necessario restituire il prodotto al punto vendita dove è stato acquistato o consegnarlo al locale centro di raccolta rifiuti, indicando che esso contiene componenti elettrici ed elettronici. La raccolta e il trattamento appropriati del prodotto non più utilizzabile contribuiscono alla salvaguardia delle risorse naturali ed evitano ogni rischio potenziale per la salute pubblica.

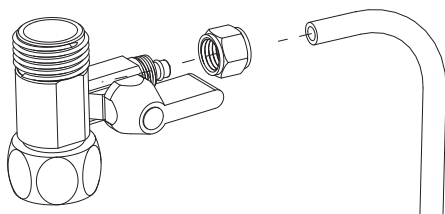


1. Installare la valvola a sfera a tre vie

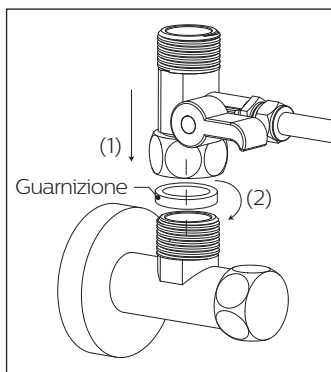
- a. Chiudere l'afflusso di acqua fredda. Aprire il rubinetto dell'acqua fredda della cucina per rilasciare la pressione e consentire il drenaggio dell'acqua dalla linea. Scollegare il tubo flessibile dell'acqua fredda dalla valvola dell'acqua fredda.



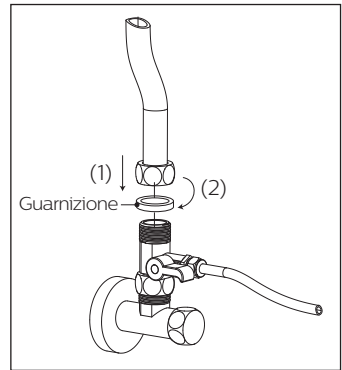
b. Far scorrere il dado della valvola a sfera a tre vie nel tubo 1/4" PE; e inserire il tubo nell'apertura della valvola a sfera a tre vie. Serrare il dado con una chiave.



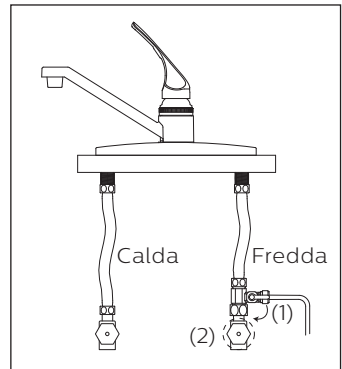
c. Installare la valvola a sfera a tre vie sulla valvola dell'acqua fredda. Non dimenticare di inserire la guarnizione nella valvola a tre vie durante l'installazione.



d. Connettere il tubo dell'acqua fredda con la valvola a sfera a tre vie e avvitare serrando con una chiave. Non dimenticare la guarnizione nel tubo dell'acqua fredda durante l'installazione.



e. Spegnerne la valvola a sfera a tre vie. Aprire l'afflusso di acqua fredda. Strofinare ed asciugare le connessioni con un panno per verificare l'eventuale presenza di perdite. Se il panno resta asciutto, vorrà dire che la valvola a sfera a tre vie è stata installata correttamente.



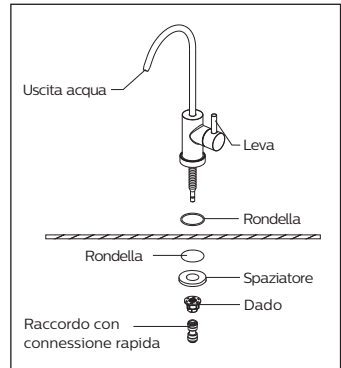
2. Installare il rubinetto

Nota:

Selezionare una posizione d'installazione adeguata. L'ambiente dove è installato il rubinetto deve essere conforme a tutte le condizioni di igiene e sanità previste. Assicurarsi che il rubinetto sia ben allineato nella parte alta del lavandino o sulla superficie del piano di lavoro.

a. Eseguire un foro di diametro 25 mm circa. Ignorare questo passaggio qualora sia già presente un foro nel lavandino o sulla superficie del piano di lavoro.

- b. Installare il rubinetto secondo lo schema.
Avvitare il dado dello stelo del rubinetto fino al massimo e serrare bene, per proteggere il rubinetto.

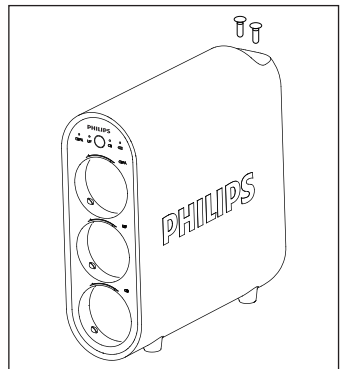


3. Installazione dell'impianto

Nota:

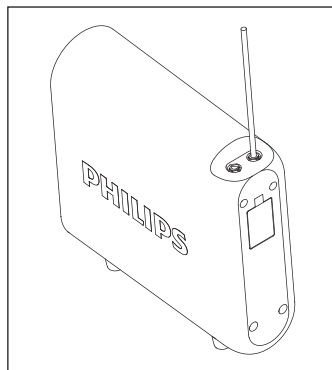
Verificare che vi sia spazio a sufficienza per l'installazione dell'impianto stesso, dei suoi accessori e connessioni, e per le operazioni di assistenza e riparazione. L'impianto non va mai installato in ambienti esterni. L'ambiente dove è installato il rubinetto deve essere conforme a tutte le condizioni di igiene e sanità previste ed applicabili. Evitare infiltrazioni esterne di liquidi da tubi, scarichi, ecc. nell'impianto. L'impianto va posizionato su una superficie stabile e piana. Tenere l'impianto al riparo dal calore. L'impianto non va mai posizionato in zone a rischio di fughe di gas infiammabili.

- a. Premere i valletti e rimuovere ed estrarre le prese dai fori ingresso e uscita acqua sul retro dell'impianto.



b. Connettere l'attacco dell'ingresso dell'acqua e la valvola a sfera a tre vie.

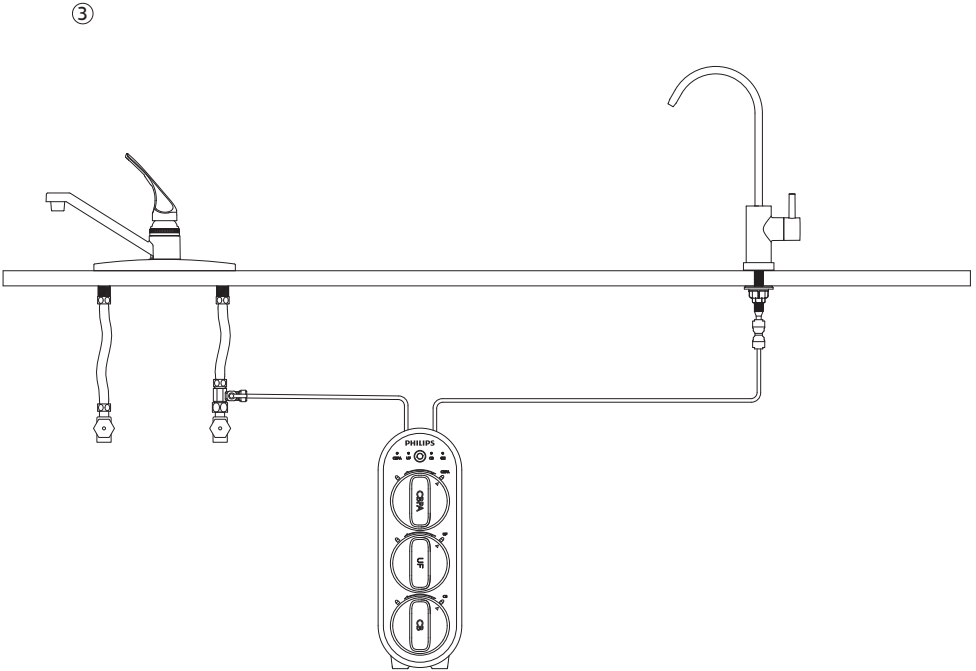
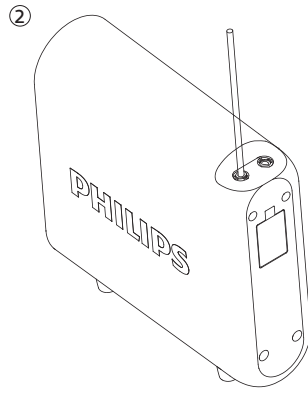
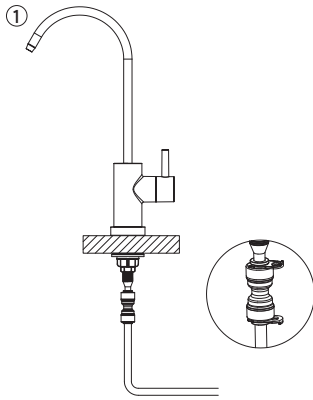
Misurare la lunghezza del tubo 1/4" da connettere all'impianto e alla valvola a sfera a tre vie. Se necessario, tagliare il tubo con un'apposita taglierina. A questo punto l'altra estremità del tubo 1/4" collegato alla valvola a sfera a tre vie va inserita nel foro ingresso acqua sul retro dell'impianto. Servirsi di un fermo per fissare e proteggere il tubo inserito nel foro.



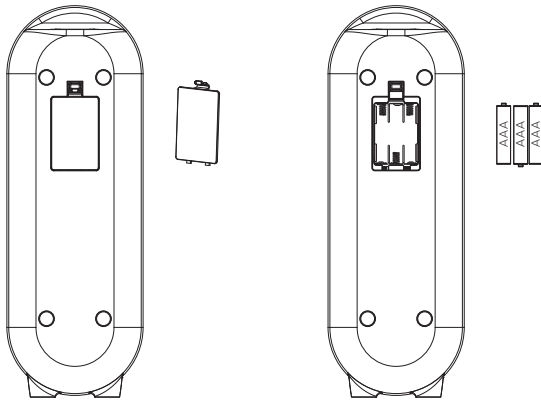
Nota: la pressione dell'acqua in entrata deve essere compresa nel range 0,1 - 0,4 MPa. Se la pressione dell'acqua in ingresso è troppo bassa, è necessario installare un moltiplicatore di pressione a monte dell'impianto. Se la pressione dell'acqua in ingresso è troppo alta, è necessario installare una valvola di rilascio della pressione a monte dell'impianto. La valvola di rilascio della pressione e il moltiplicatore di pressione vanno acquistati a parte.

c. Connettere l'uscita acqua e il rubinetto.

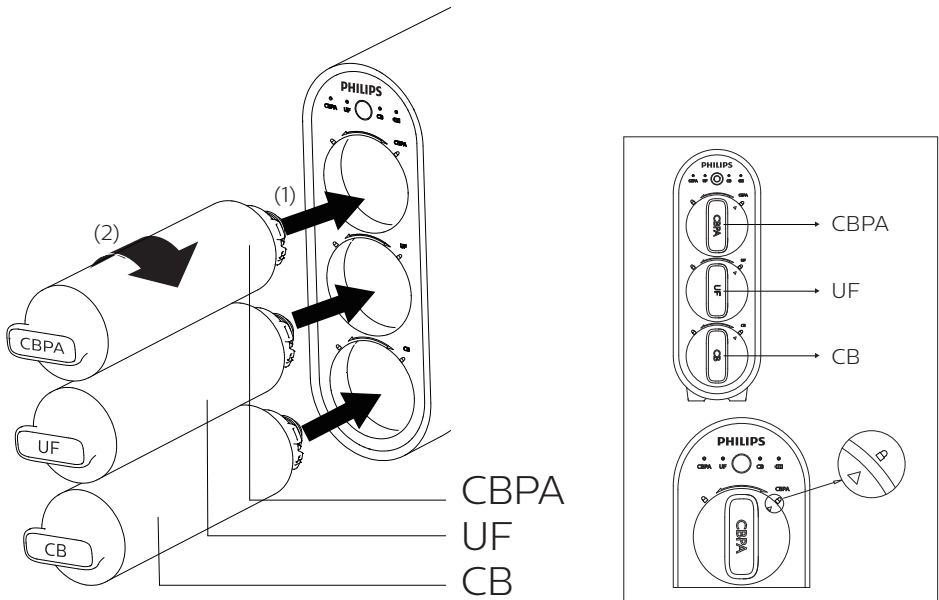
Misurare la lunghezza del tubo 1/4" secondo quanto necessario ed eventualmente tagliare il tubo con apposita taglierina. Inserire un'estremità del tubo nel raccordo a connessione rapida. Connettere il raccordo a connessione rapida sullo stelo del rubinetto. Inserire l'altra estremità del tubo 1/4" nel foro uscita acqua sul retro dell'impianto, a battuta. Servirsi di un fermo per fissare e proteggere il tubo inserito nel foro.



d. Inserire 3 batterie AAA.



- e. Spostare l'impianto nell'alloggiamento riservato, nell'armadietto sotto il lavandino.
f. Rimuovere l'avvolgimento di plastica delle cartucce del filtro. Inserire le cartucce del filtro nell'impianto e girarle in senso orario, allineando l'icona triangolo sulla cartuccia all'icona lucchetto sull'impianto.



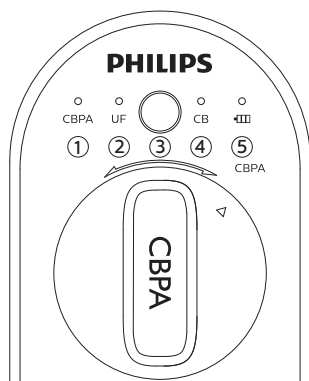
- g. Verificare che l'impianto sia correttamente installato e attivare la valvola a sfera a tre vie.

V. Istruzioni per l'uso

1. Prima del primo utilizzo

- Strofinare ed asciugare tutti i giunti e le connessioni con un panno, per verificare eventuali fughe. Se il panno resta asciutto, vorrà dire che l'impianto è stato installato correttamente.
- Girare il rubinetto e far fluire l'acqua per 10 minuti, al fine di rimuovere le particelle di aria e di carbone attraverso il filtro. Dopo di che l'impianto è pronto per l'uso e potrete tranquillamente iniziare a consumare l'acqua filtrata.

2. Interfaccia utente



- ① Spia vita utile filtro CBPA
- ② Spia vita utile filtro UF
- ③ Pulsante Reset
- ④ Spia vita utile filtro CB
- ⑤ Indicatore della durata della batteria

Quando il rubinetto è aperto, tutte le spie sono accese, mostrando la vita utile del filtro e della batteria.

Quando l'impianto è in modalità standby, tutte le spie sono spente. Se premete il pulsante Reset, le spie si accenderanno e mostreranno la vita utile del filtro e della batteria.

a. Spia vita utile filtro

Stato	Spia	Avviso sonoro
Più di 7 giorni	Luce blu fissa	N/A
Meno di 7 giorni o raggiungimento della fine della vita utile	Luce blu lampeggiante	Vengono emessi dei beep ogniqualvolta il rubinetto è aperto, a rammentarvi che è necessario sostituire il filtro.

b. Spia vita utile batteria

Stato	Spia	Avviso sonoro
C'è ancora abbastanza carica nella batteria	Luce blu fissa	N/A
Batteria quasi esaurita	Luce blu lampeggiante	Vengono emessi dei beep ogniqualvolta il rubinetto è aperto, a rammentarvi che è necessario sostituire le batterie.

c. Pulsante Reset

Per resettare l'indicazione vita utile filtro, tenere premuto il pulsante Reset per 5 secondi. Udirete un beep sonoro e la spia della vita utile del filtro CBPA lampeggerà in blu. Premere per breve tempo il pulsante Reset e selezionare il filtro da resettare.

Quando la spia del filtro selezionato inizia a lampeggiare, tenere premuto il pulsante Reset per 3 secondi. Udirete un beep sonoro e la spia emetterà luce blu fissa. Significa che il reset della vita utile del filtro è andato a buon fine.

VI. Manutenzione

1. Manutenzione ordinaria

- Per la pulizia della custodia del dispositivo non utilizzare solventi organici come benzina, ecc. Se si rende necessario eseguire operazioni di pulizia, strofinare delicatamente la superficie del prodotto con un panno umido, dopo aver disconnesso l'alimentazione elettrica.
- Se l'impianto non viene usato per più di 2 giorni, aprire il rubinetto e far fluire l'acqua per almeno 5 minuti, in modo da sciacquare i filtri e l'impianto stesso.
- Se si prevede di non utilizzare l'impianto per un periodo di tempo prolungato, estrarre le cartucce dei filtri, sigillarle con pellicola di materiale plastico e conservarle in frigorifero (non nel freezer). Disattivare la valvola a sfera a tre vie, aprire il rubinetto per svuotare l'impianto ed estrarre le batterie. Prima del riutilizzo far uscire l'acqua per almeno 10 minuti, sciacquando i filtri e l'impianto stesso.

2. Vita utile filtro

Nota

Al fine di garantire le migliori prestazioni, sostituire la cartuccia del filtro secondo le indicazioni della spia vita utile filtro o in base al ciclo di sostituzione filtro come suggerito qui di seguito. Se si osserva un flusso decisamente ridotto, consigliamo di sostituire anche i filtri.

L'impianto funziona unicamente con filtri Philips

Filtro	Codice modello	Vita utile filtro
Filtro CBPA	AUT805	6-12 mesi*
Filtro UF	AUT825	24 mesi*
Filtro CB	AUT806	6-12 mesi*

* La vita utile reale della cartuccia del filtro dipende dalla qualità dell'acqua di rubinetto e dall'uso quotidiano. Il ciclo di sostituzione consigliato è una media basata su diverse qualità di acque locali di rubinetto. Se la qualità dell'acqua di rubinetto concreta è al di sotto della media, la vita utile reale della cartuccia sarà differente rispetto al ciclo di sostituzione consigliato. Se la cartuccia del filtro è bloccata, si prega di sostituirla.

3. Sostituzione della cartuccia del filtro

- a. Arrestare il flusso dell'acqua e chiudere il rubinetto, in modo da consentire lo scarico dell'acqua dal tubo.
- b. Girare il filtro da sostituire in senso antiorario ed estrarlo.
- c. Rimuovere l'imballo del nuovo filtro e inserire la cartuccia nel sistema. Girare in senso orario, allineando l'icona triangolo sulla cartuccia del filtro all'icona lucchetto sull'impianto.
- d. Ripristinare il flusso di acqua e aprire il rubinetto. Far uscire l'acqua per 10 minuti.
- e. Resetare la vita utile del filtro secondo il capitolo V.

VII. Precauzioni

1. Attenzione

- Il prodotto NON agisce da depuratore d'acqua. Come fonte di acqua utilizzare sempre acqua di rubinetto. Non utilizzare acqua microbiologicamente poco sicura o di qualità sconosciuta senza adeguata disinfezione a monte o a valle del sistema.
- L'impianto non è destinato all'impiego da parte di persone (compresi bambini) con ridotte capacità sensoriali o mentali o con scarse esperienze e conoscenze, a meno che esse non siano sotto la supervisione o abbiano ricevuto istruzioni da parte di persone responsabili per la loro incolumità in relazione all'uso del dispositivo. I bambini vanno tenuti sotto controllo, al fine di assicurarsi che non giochino con l'impianto.
- Accertarsi di maneggiare delicatamente e con attenzione il sistema. Non tentare di modificare o riparar il sistema da soli, pena la decadenza della garanzia.
- Il dispositivo è destinato unicamente all'uso in ambiente domestico.
- La temperatura dell'acqua in ingresso deve essere compresa nel range 5 - 38°C. Se la temperatura dell'acqua in ingresso eccede i 38°C, potrebbero verificarsi danni al filtro, che verrebbe ad essere inutilizzabile. Se la temperatura dell'acqua in ingresso è inferiore a 5°C, potrebbe verificarsi il congelamento e la rottura di componenti dell'impianto, con conseguenti perdite di acqua.
- Non invertire l'ordine di installazione delle cartucce del filtro, per evitare di compromettere le prestazioni del filtro e dell'impianto in sé.
- Se l'impianto presenta anomalie o guasti, smettere immediatamente di utilizzarlo. Chiudere la valvola ingresso aria e aprire il rubinetto per svuotare l'impianto. Tra le possibili situazioni di guasto figurano:
 - Perdite
 - Cricche o danni al prodotto
 - Rumore anomalo o cattivo odore di bruciato
 - Mancato funzionamento del dispositivoContattare immediatamente il reparto assistenza clienti per prenotare un'ispezione.
- Se si prevede di non utilizzare l'impianto per un periodo di tempo prolungato, arrestare l'alimentazione acqua e chiudere il rubinetto, in modo da rilasciare la pressione interna ed evitare danni all'impianto.

VIII. Risoluzione dei problemi

Problema	Causa possibile	Soluzione
Non esce acqua dal rubinetto	La valvola dell'acqua fredda o la valvola a sfera a tre vie è spenta.	Accendere le valvole.
	Il filtro è bloccato.	Sostituire il filtro.
	Il filtro non è installato correttamente.	Installare di nuovo il filtro secondo il capitolo VI.
Il flusso dell'acqua rallenta.	Il filtro è bloccato.	Sostituire il filtro.
	La pressione acqua in ingresso è bassa:	Attendere finché la pressione dell'acqua in ingresso si stabilizza; oppure installare un moltiplicatore di pressione a monte dell'impianto, se la pressione acqua in ingresso è costantemente al di sotto di 0,1 MPa.
Scarsa qualità acqua in uscita.	Il filtro ha raggiunto la fine della vita utile.	Sostituire il filtro.
	L'impianto non è stato utilizzato per un po'.	Aprire il rubinetto e far fluire l'acqua per 5 minuti.
	Scarsa qualità dell'acqua in ingresso.	Come fonte di acqua utilizzare sempre acqua di rubinetto. Non utilizzare acqua microbiologicamente poco sicura o di qualità sconosciuta senza adegua disinfezione a monte o a valle del sistema.
Si è verificata una perdita.	I tubi o i filtri non sono installati correttamente.	Installare di nuovo come da capitolo IV.
	La guarnizione del filtro è usurata.	Contattare assistenza clienti.
	La guarnizione del rubinetto è usurata.	Contattare assistenza clienti.
	Componenti danneggiati.	Contattare assistenza clienti.

Le spie della vita utile del filtro non si accendono quando il rubinetto è aperto.	Le batterie non sono installate correttamente.	Installare di nuovo le batterie.
	Tensione bassa.	Sostituire le batterie.
Il pulsante Reset non funziona.	Non è stato premuto abbastanza a lungo il pulsante per attivare il reset.	Tenere premuto il pulsante Reset per 5 secondi.

IX. Garanzia e assistenza

Per ulteriori informazioni o in caso di problemi di qualsiasi genere, si rimanda al sito web www.philips.com o si prega di contattare il centro assistenza clienti nel paese di riferimento. Se nel vostro paese non sono a disposizione centri assistenza clienti, rivolgersi ad un locale agente Philips. Nell'arco di due anni dalla data di acquisto, riceverete assistenza gratuita in garanzia per ogni e qualsiasi danno imputabile al processo di produzione o a malfunzionamento di componenti durante le normali operazioni, a seguito di debita conferma da parte del nostro servizio manutenzione. L'assistenza in garanzia non comprende i componenti e materiali di consumo soggetti a sostituzione frequente, dispositivi ausiliari, commissioni di trasporto e servizio porta a porta. In caso di manutenzione si prega di esibire la ricevuta dell'acquisto al personale di servizio.

X. Lista d'imbballaggio

Impianto	1X
Filtro CBPA	1X
Filtro UF	1X
Filtro CB	1X
Valvola a sfera a tre vie	1X
Tubo 1/4" PE	1X
Rubinetto e accessori	1X
Manuale utente	1X

Nota: le batterie AAA vanno acquistate a parte.

Содержание

I. Знакомство с продуктом	66
---------------------------	----

II. Спецификация продукта	66
---------------------------	----

III. Краткое описание продукта и иллюстрация установки	67
--	----

IV. Установка	68
Установите трехходовой шаровой кран	68
Установите смеситель	70
Установка системы Примечание	71

V. Инструкция по применению	74
Перед первым использованием	74
Пользовательский интерфейс	75

VI. Техническое обслуживание	76
Регулярное техническое обслуживание	76
Срок службы фильтра	76
Замена фильтрующего картриджа	77

VII. Меры предосторожности	77
Предупреждение	77

VIII. Выявление неисправностей	78
--------------------------------	----

IX. Гарантия и техническое обслуживание	79
---	----

X. Упаковочный лист	80
---------------------	----




I. Знакомство с продуктом

Поздравляем с покупкой и добро пожаловать в Philips! Наша система фильтрации воды для установки под раковину AUT3234 оснащена 4-ступенчатой ультрафильтрацией, которая эффективно уменьшает количество твердых частиц, тяжелых металлов, летучих органических соединений, пестицидов, бактерий и загрязняющих веществ до 0,01 микрона*, сохраняя при этом полезные минералы.

Перед использованием устройства внимательно прочтите данное руководство пользователя. Сохраните его для обращения к нему в дальнейшем.

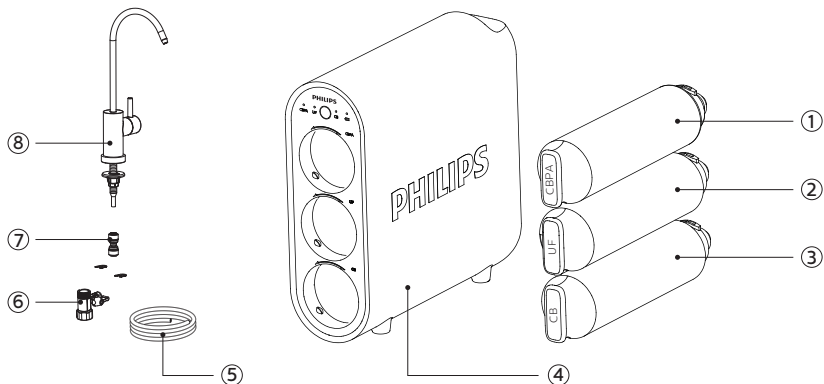
* Вещества, которые устраняет или количество которых сокращает эта система, не обязательно присутствуют во всей воде пользователя.

II. Спецификация продукта

Наименование продукта	Система фильтрации воды Philips для установки под раковину
Модель продукта	AUT3234
Расход фильтрованной воды	2 литра/минута
Фильтрующая способность	СВРА фильтр: 4000 литров УФ-фильтр: 8000 литров Углеродный блок (СВ): 4000 литров
Номинальное напряжение	4.5 В 
Давление воды на входе	0,1-0,4 МПа**
Температура воды на входе	5°C-38°C
Пригодный источник воды	Муниципальная водопроводная вода, соответствующая всем требованиям Европейской директивы 98/83 о качестве воды, предназначенной для потребления людьми, и ее национальным транспонированиям в различных странах-членах ЕС.

** Если давление воды на входе превышает 0,4 МПа, перед системой следует установить клапан избыточного давления. Если давление воды на входе ниже 0,1 МПа, перед системой следует установить усилитель давления. Клапан избыточного давления и усилитель давления необходимо приобретать отдельно.

III. Краткое описание продукта и иллюстрация установки



① Углеродный блок и осадочный фильтр 2-в-1 фильтр (СВРА)

② Фильтр с полволоконной мембраной (УФ)

③ Углеродный блок (СВ)

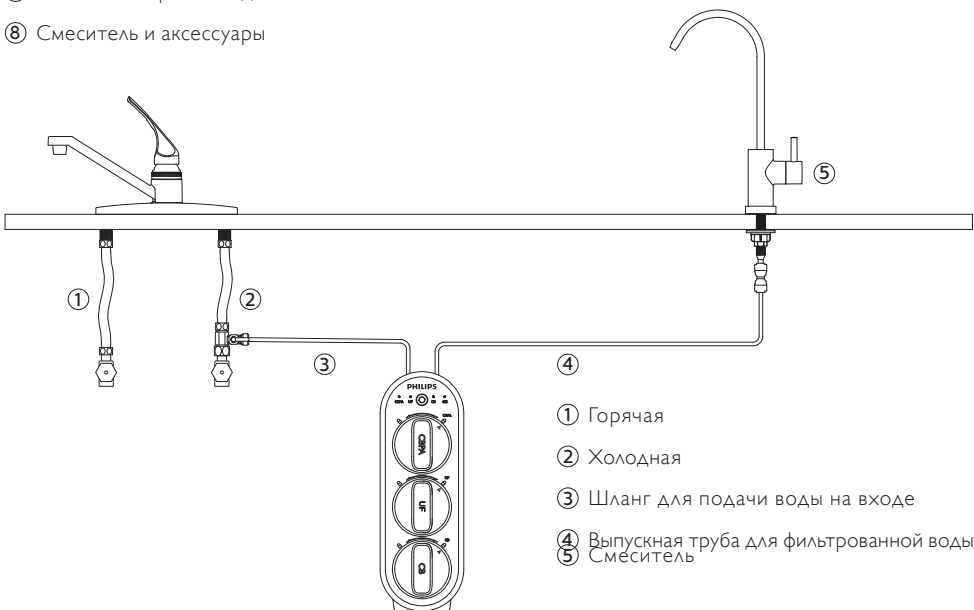
④ Система

⑤ Полиэтиленовая труба 1/4" (6,35 мм)

⑥ Трехходовой шаровой кран

⑦ Фитинг быстрого соединения

⑧ Смеситель и аксессуары



① Горячая

② Холодная

③ Шланг для подачи воды на входе

④ Выпускная труба для фильтрованной воды

⑤ Смеситель

IV. Установка

Примечание:

- Распакуйте систему и ее аксессуары. Удалите защитный упаковочный материал. Для упаковки использовались перерабатываемые материалы, которые следует утилизировать в соответствующих мусорных баках или в специальном местном центре по переработке отходов.

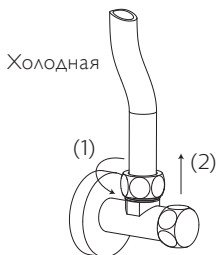
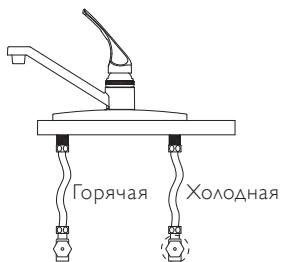
Предупреждение: Храните полиэтиленовые пакеты в недоступном для детей месте, так как они могут представлять опасность.

- Проверьте, нет ли отсутствующих деталей в соответствии с упаковочным листом и кратким описанием.
- С учетом того, что система предназначена для улучшения качества питьевой воды, все инструменты, которые будут использоваться в процессе установки, должны быть чистыми, обезжиренными и без ржавчины.
- Процесс установки должен осуществляться при соответствующих гигиенических условиях, с соблюдением всех необходимых мер предосторожности в отношении материалов и компонентов, которые будут контактировать с водой, предназначенной для обработки и потребления.
- Не допускайте внешнего загрязнения системы из-за неправильного обращения — используйте перчатки и дезинфицирующие гели, а также мойте руки так часто, как это необходимо во время процесса установки, первого использования и обслуживания системы.
- Система и установка должны соответствовать действующим местным нормам.
- Это изделие нельзя утилизировать вместе с другими хозяйственно-бытовыми отходами. По истечении срока службы изделия его следует вернуть по месту покупки или в местный центр переработки отходов, указав, что он содержит электрические и электронные компоненты. Соответствующие прием и утилизация изделия, которое больше не будет использоваться, способствует сохранению природных ресурсов и предотвращает любые потенциальные риски для здоровья населения.

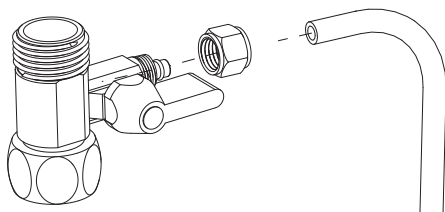


1. Установите трехходовой шаровой кран

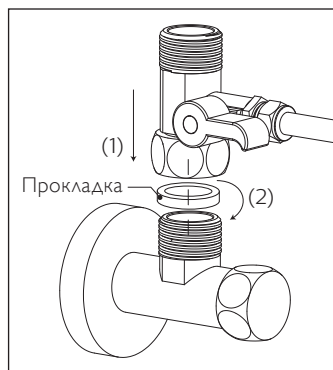
- а. Отключите подачу холодной воды. Включите смеситель для холодной воды на кухне, чтобы сбросить давление и слить остатки воды. Отсоедините шланг холодной воды от клапана холодной воды.



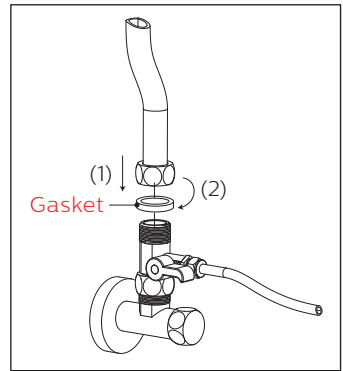
в. Наденьте гайку трехходового шарового крана на полиэтиленовую трубу 1/4" (6,35 мм) и вставьте трубу в отверстие трехходового шарового крана. Затяните гайку гаечным ключом.



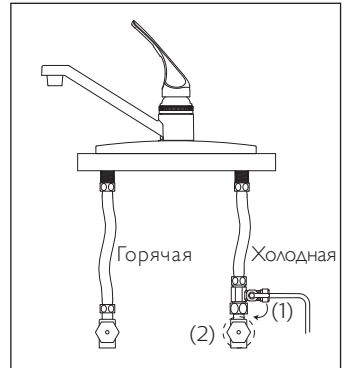
с. Установите трехходовой шаровой кран на смеситель холодной воды. Пожалуйста, во время установки не забудьте про уплотняющую прокладку внутри трехходового шарового крана.



d. Соедините шланг холодной воды с трехходовым шаровым краном и плотно закрутите гаечным ключом. Пожалуйста, во время установки не забудьте про уплотняющую прокладку в шланге для холодной воды.



e. Выключите трехходовой шаровой кран. Включите подачу холодной воды. Протрите места соединения салфеткой, чтобы проверить, нет ли протечки. Если салфетка останется сухой, это значит, что трехходовой шаровой кран установлен правильно.



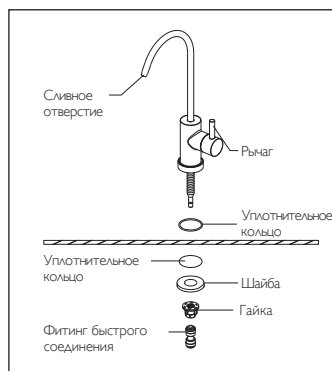
2. Установите смеситель

Примечание:

Выберите подходящее место для установки. В помещении, где установлен смеситель, должны соблюдаться все соответствующие гигиенические и санитарные нормы. Убедитесь, что смеситель стоит ровно на поверхности раковины или столешницы.

a. Просверлите отверстие диаметром около 25 мм. Пропустите этот шаг, если в поверхности раковины или столешницы уже есть отверстие.

в. Установите смеситель согласно схеме. Закрутите гайку штока смесителя до упора вверх по штоку смесителя и затяните ее, чтобы зафиксировать смеситель.

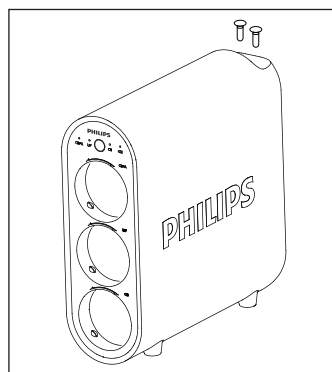


3. Установка системы **Примечание:**

Пожалуйста, проверьте, достаточно ли места для установки самой системы, ее аксессуаров и соединений, а также для обслуживания и ремонта. Ни при каких обстоятельствах нельзя устанавливать систему на открытом воздухе. Помещение, где установлена система, должно соответствовать всем надлежащим гигиеническим и санитарным нормам.

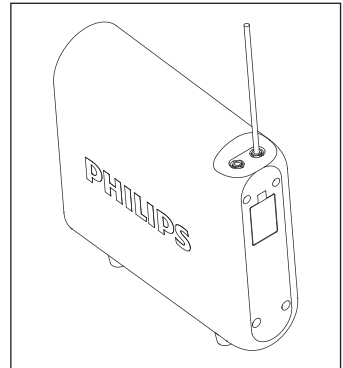
Следите, чтобы внешняя капающая жидкость из труб, водостока и подобного не попадала на систему. Данную систему следует разместить на устойчивой и ровной поверхности. Храните систему вдали от источников тепла. Ее нельзя размещать в местах, где возможна утечка горючего газа.

а. Снимите зажимы и вытащите заглушки на впускном и выпускном отверстиях для воды в задней части системы.



б. Соедините впускное отверстие для воды и трехходовой шаровой кран.

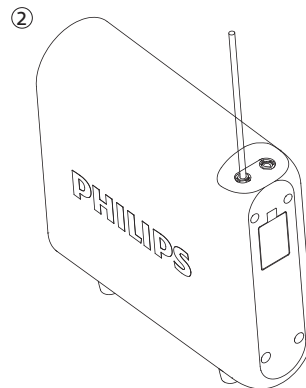
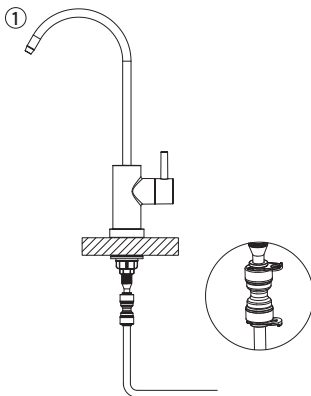
Отмерьте длину трубы 1/4" (6,35 мм), необходимую для соединения системы и трехходового шарового крана, и в соответствии с этим обрежьте ее труборезом. Вставьте другой конец трубы 1/4" (6,35 мм), которая была соединена с трехходовым шаровым клапаном, во впускное отверстие для воды в задней части системы. Используйте зажим, чтобы закрепить трубу в отверстии.



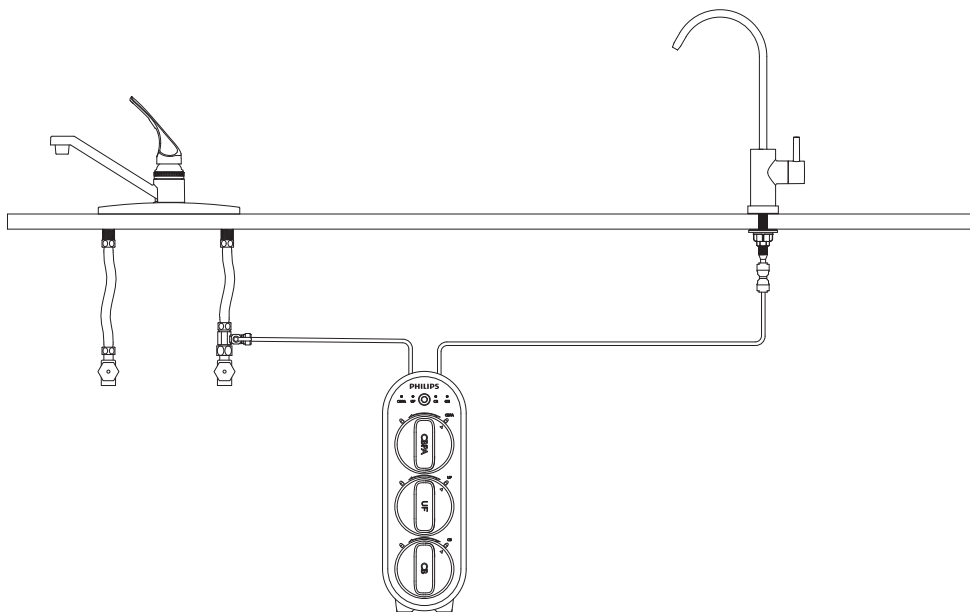
Примечание: давление воды на входе должно быть в пределах 0,1-0,4 МПа. Если давление слишком низкое, перед системой следует установить усилитель давления. Если давление слишком высокое, перед системой следует установить клапан избыточного давления. Клапан избыточного давления и усилитель давления необходимо приобретать отдельно.

с. Соедините выпускное отверстие и смеситель.

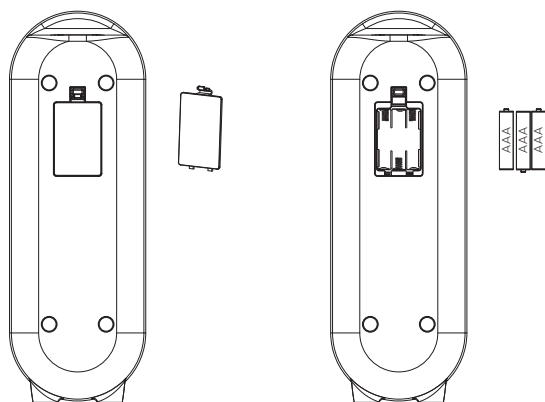
Отмерьте необходимую длину трубы 1/4" (6,35 мм) и обрежьте ее труборезом. Вставьте один конец трубы в фитинг быстрого соединения и подсоедините фитинг быстрого соединения к штоку смесителя. Вставьте другой конец 1/4" (6,35 мм) трубы в выпускное отверстие для воды в задней части системы до упора. Используйте зажим, чтобы закрепить трубу в отверстии.



③

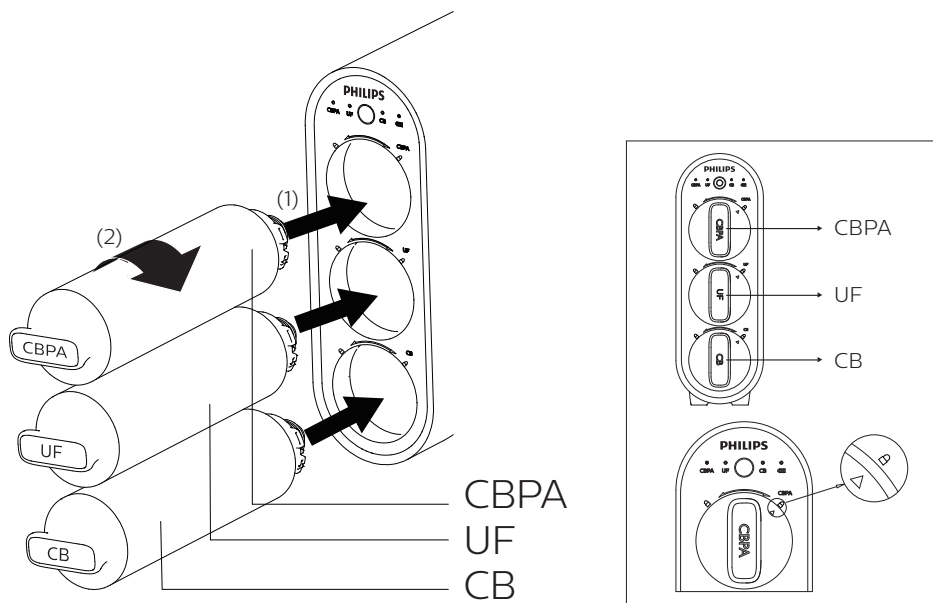


d. Вставьте 3 батарейки типа AAA.



e. Переместите систему на свое место в тумбе под раковиной.

f. Снимите пластиковую пленку с фильтрующих картриджей. Вставьте фильтрующие картриджи в систему соответствующим образом и поверните их по часовой стрелке, чтобы совместить значок треугольника на фильтрующем картридже со значком замка на системе.



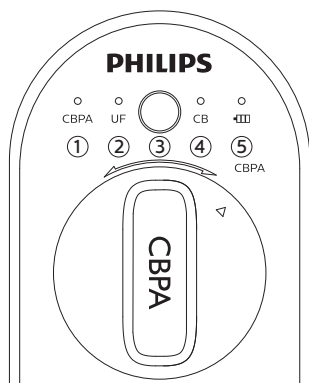
г. Убедитесь, что система установлена надлежащим образом, и включите трехходовой шаровой кран.

V. Инструкция по применению

1. Перед первым использованием

- а. Протрите все стыки и места соединения салфеткой, чтобы проверить, нет ли протечки. Если салфетка останется сухой, это значит, что система установлена правильно.
- б. Включите смеситель и сливайте воду в течение 10 минут, чтобы пропустить воздух и угольные частицы через фильтры. После этого система будет готова к использованию, и можно будет приступить к потреблению отфильтрованной воды.

2. Пользовательский интерфейс



- ① Индикатор срока службы фильтра CBPA
- ② Индикатор срока службы УФ-фильтра
- ③ Кнопка сброса
- ④ Индикатор срока службы углеродного блока
- ⑤ Индикатор срока службы батареи

При включении смесителя все индикаторы загораются, чтобы показать срок службы фильтра и батареи.

Когда система находится в режиме ожидания, индикаторы не горят. Можно нажать кнопку сброса, и индикаторы загорятся, чтобы показать срок службы фильтра и батареи.

а. Индикатор срока службы фильтра

Состояние	Индикатор	Звуковое оповещение
Более 7 дней	Непрерывный синий свет	Не предусмотрен
Менее 7 дней или срок службы	Мигающий синий свет	При каждом включении смесителя будут раздаваться звуковые сигналы, напоминающие о необходимости заменить фильтр.

б. Индикатор срока службы батареи

Состояние	Индикатор	Звуковое оповещение
Достаточный заряд батареи	Непрерывный синий свет	Не предусмотрен
Батарея разряжена	Мигающий синий свет	При каждом включении смесителя будут раздаваться звуковые сигналы, напоминающие о необходимости заменить батарейки.

с. Кнопка сброса

Чтобы сбросить срок службы фильтра, нажмите и удерживайте кнопку сброса в течение 5 секунд. Вы услышите звуковой сигнал, и индикатор срока службы фильтра СВРА замигает синим светом. Снова коротко нажмите кнопку сброса, чтобы выбрать фильтр, у которого необходимо сбросить срок службы.

Когда индикатор выбранного фильтра замигает, нажмите и удерживайте кнопку сброса в течение 3 секунд. Вы услышите звуковой сигнал, а индикатор загорится непрерывным синим светом. Это означает, что срок службы фильтра был успешно сброшен.

VI. Техническое обслуживание

1. Регулярное техническое обслуживание

- Запрещается использовать органические растворители, например, бензин и подобные, для протирки корпуса устройства. Если требуется очистка, осторожно протрите поверхность изделия влажной тряпкой, предварительно отключив его от источника питания.
- Если система не использовалась более 2 дней, включите смеситель и сливайте воду не менее 5 минут, чтобы промыть фильтры и систему.
- Если система не будет использоваться в течение длительного периода, выньте фильтрующие картриджи, плотно запечатайте их полиэтиленовой пленкой и храните в холодильнике (не в морозильной камере). Выключите трехходовой шаровой кран, включите смеситель, чтобы опорожнить систему, и выньте батарейки. Перед повторным использованием слейте воду в течение не менее 10 минут, чтобы промыть фильтры и систему.

2. Срок службы фильтра

Примечание

Для лучшей производительности меняйте фильтрующий картридж в соответствии с индикатором срока службы фильтра или циклом замены фильтра, предложенным ниже. Если наблюдается значительно сниженная скорость потока, мы рекомендуем также заменить фильтры.

Эта система может работать только с фильтрами Philips.

Фильтр	Код модели	Срок службы фильтра
СВРА фильтр	AUT805	6–12 месяцев*
УФ-фильтр	AUT825	24 месяца*
Углеродный блок	AUT806	6–12 месяцев*

* Фактический срок службы фильтрующего картриджа зависит от качества местной водопроводной воды и ежедневного использования. Рекомендуемый цикл замены — это среднее значение, основанное на различном местном качестве водопроводной воды. Если качество местной водопроводной воды ниже среднего значения, фактический срок службы картриджа будет отличаться от рекомендуемого цикла замены. Если фильтрующий картридж засорится, замените его.

3. Замена фильтрующего картриджа

- Отключите подачу воды и откройте кран, чтобы вода стекла из трубы.
- Поверните фильтр, который необходимо заменить, против часовой стрелки и вытащите его.
- Снимите упаковку с нового фильтра и вставьте картридж в систему. Поверните его по часовой стрелке, чтобы совместить значок треугольника на фильтрующем картридже со значком замка на системе.
- Включите подачу воды и смеситель. Сливайте воду в течение 10 минут.
- Сбросьте срок службы фильтра в соответствии с главой V.

VII. Меры предосторожности

1. Предупреждение

- Это НЕ очиститель воды. В качестве источника воды всегда используйте муниципальную водопроводную воду. Не используйте воду, небезопасную с микробиологической точки зрения, или воду неизвестного качества без надлежащей дезинфекции до или после системы.
- Эта система не предназначена для использования лицами (включая детей) с ограниченными физическими, сенсорными или умственными способностями или не обладающим достаточными знаниями и опытом, если только они не находятся под присмотром или не были проинструктированы относительно использования устройства лицом, ответственным за их безопасность. Следите за детьми, чтобы они не играли с системой.
- Обращайтесь с системой бережно и осторожно. Не пытайтесь самостоятельно модифицировать или ремонтировать систему, иначе гарантия станет недействительной.
- Это устройство предназначено только для домашнего использования.

- Температура воды на входе в систему должна быть в пределах 5-38 °С . Если температура воды на входе превысит 38 °С , фильтр может повредиться и выйти из строя. Если температура воды на входе будет ниже 5 °С , это может вызвать замерзание и разрушение частей системы, что приведет к протечке воды.
- Не меняйте порядок установки фильтрующих картриджей, чтобы не повлиять на работу фильтра в системе.
- Если система неисправна или бракована, немедленно прекратите ее использование. Закройте впускной водяной клапан и откройте кран, чтобы опорожнить систему. К случаям неисправностей относятся:
 - Протечка
 - Изделие треснуто или повреждено
 - Наблюдается необычный звук или запах гари
 - Прибор не работает
 Немедленно обратитесь в службу сервисного обслуживания клиентов для проверки.
- Если система не используется в течение длительного периода, отключите подачу воды и откройте кран, чтобы сбросить внутреннее давление и избежать повреждения системы.

VIII. Выявление неисправностей

Проблема	Возможная причина	Решение
Из крана не течет вода.	Клапан холодной воды или трехходовой шаровой кран выключен.	Подключите клапан или кран.
	Фильтр засорился.	Замените фильтр.
	Фильтр установлен неправильно.	Переустановите фильтр в соответствии с главой VI.
Скорость потока снижается.	Фильтр засорился.	Замените фильтр.
	Давление воды на входе низкое.	Подождите, пока давление воды на входе не стабилизируется, или установите усилитель давления перед системой,

Плохое качество воды на выходе.	Срок службы фильтра подошел к концу.	Замените фильтр.
	Система некоторое время не использовалась.	Откройте кран и сливайте воду в течение 5 минут.
	Плохое качество воды на входе.	В качестве источника воды всегда используйте муниципальную водопроводную воду. Не используйте воду, небезопасную с микробиологической точки зрения, или воду неизвестного качества без надлежащей дезинфекции до или после системы.
Есть протечка.	Трубы или фильтры установлены неправильно.	Переустановите в соответствии с главой IV.
	Изношена прокладка фильтра.	Обратитесь в службу сервисного обслуживания клиентов.
	Изношена прокладка смесителя.	Обратитесь в службу сервисного обслуживания клиентов.
	Повреждены компоненты.	Обратитесь в службу сервисного обслуживания клиентов.
Индикаторы срока службы фильтра не загораются при включении смесителя.	Батарейки установлены неправильно.	Переустановите батарейки.
	Напряжение низкое.	Замените батарейки новыми.
Кнопка сброса не работает.	Нажатие кнопки было недостаточно долгим, чтобы вызвать сброс.	Нажмите и удерживайте кнопку сброса в течение 5 секунд.

IX. Гарантия и техническое обслуживание

Если вам нужна информация или если у вас возникли какие-либо проблемы, посетите сайт www.philips.com или обратитесь в центр сервисного обслуживания клиентов в вашей стране. Если в вашей стране нет центра сервисного обслуживания клиентов, обратитесь к местному дилеру. В течение двух лет с даты покупки вы получите бесплатное гарантийное обслуживание любого повреждения, вызванного производственным процессом, или компонентов при нормальном режиме эксплуатации, подтвержденным нашей службой технического обслуживания. Гарантийное обслуживание не распространяется на часто заменяемые расходные материалы, вспомогательные устройства, транспортные расходы и доставку «от двери до двери». Пожалуйста, предъявите доказательство покупки ремонтному персоналу во время технического обслуживания.

Х. Упаковочный лист

Система	1 шт
СВРА фильтр	1 шт
УФ-фильтр	1 шт
Углеродный блок	1 шт
Трехходовой шаровой кран	1 шт
Полиэтиленовая труба 1/4" (6,35 мм)	1 шт
Смеситель и аксессуары	1 шт
Руководство пользователя	1 шт

Примечание: батарейки типа ААА необходимо приобрести отдельно.



Specifications are subject to change without notice
www.philips.com/water

© 2021 AquaShield

All rights reserved.

The Philips trademark and the Philips Shield Emblem are registered trademarks of Koninklijke Philips N.V. used under license.

This product has been manufactured by and is sold under the responsibility of Hong Kong AquaShield Health Technology Company Limited and Hong Kong AquaShield Health Technology Company Limited is the warrantor in relation to this product.

Rev A JUN 21

