



### Control unit "Regufloor HC" Heating/cooling

Technical information

#### Application:

Control unit DN 25 for flow temperature control of surface heating systems offering the possibility of surface cooling in connection with the stainless steel distributors/collectors item nos. 140 40, 140 41 and 140 42.

Max. working pressure: 6 bar

Max. differential pressure: 0.75 bar

Max. flow temperature:

Primary side: 90°C

Secondary side: 50°C

$k_{VS}$  value: 4

Performance range

for heating operation: up to 15 kW or up to 200 m<sup>2</sup>

heating surface with a heat demand of about 75 W/m<sup>2</sup>

see dimensional drawing,

minimum depth of 145 mm

required inside the cabinet

Item no.: 115 20 00

#### Tender specification:

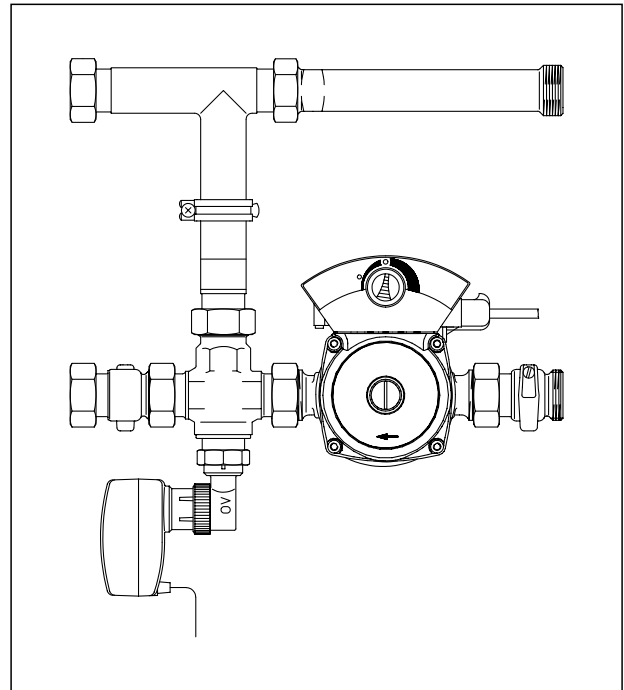
Control unit for flow temperature control in surface heating systems offering the possibility of surface cooling in connection with the stainless steel distributors/collectors item nos. 140 40, 140 41 and 140 42 consisting of:

Connection fittings, three-way valve, check valve, angle pattern adapter, electromotive 3 point actuator (24V), electronically controlled pump.

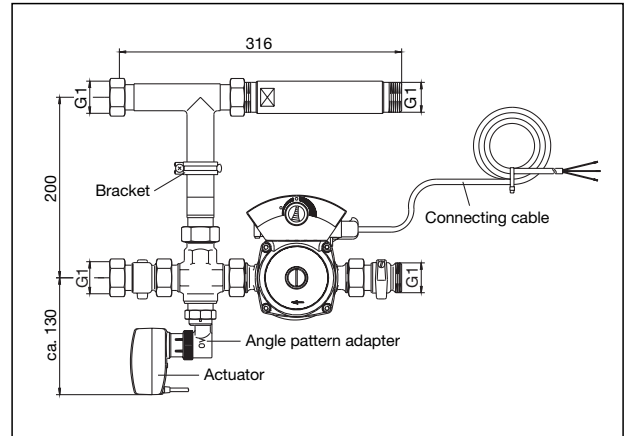
Pre-assembled and leak tested.

#### Function:

The control unit adjusts the flow temperature of the heating medium/coolant to a fixed value by adding the return water of the collector via the three-way valve. The three-way valve is controlled by a 3 point electromotive actuator (24V) with steady control receiving its signals from an electric room thermostat for heating and cooling (item no. 115 22 51) which has to be installed additionally. To avoid installation in vertical downward position, the actuator is mounted onto the three-way valve together with the angle pattern adapter. The Grundfos pump "Alpha" controls the pump output according to the hot/chilled water demand.



#### Dimensions:



Subject to technical modification without notice.

Product range 13  
ti 174-1/10/MW  
Edition 2006

OVENTROP UK LTD.  
Unit 1 – The Loddon Centre  
Wade Road  
Basingstoke, Hampshire RG24 8FL  
Great Britain  
Telephone (0 1256) 330441  
Telefax (Sales) (0 1256) 330525  
Telefax (General) (0 1256) 470970  
E-Mail sales@oventrop.co.uk

F. W. OVENTROP GmbH & Co. KG  
Paul-Oventrop-Straße 1  
D-59939 Olsberg  
Germany  
Telephone (0 2962) 82-0  
Telefax (0 2962) 82-450  
E-Mail mail@oventrop.de  
Internet www.oventrop.de