

Application:

The Oventrop boiler connection system "Regumat-280" – pump length 280 mm – for a time-, cost- and space-saving connection of the boiler to the pipework. The "Regumat-280" stations are available with high-efficiency pumps.

Advantages:

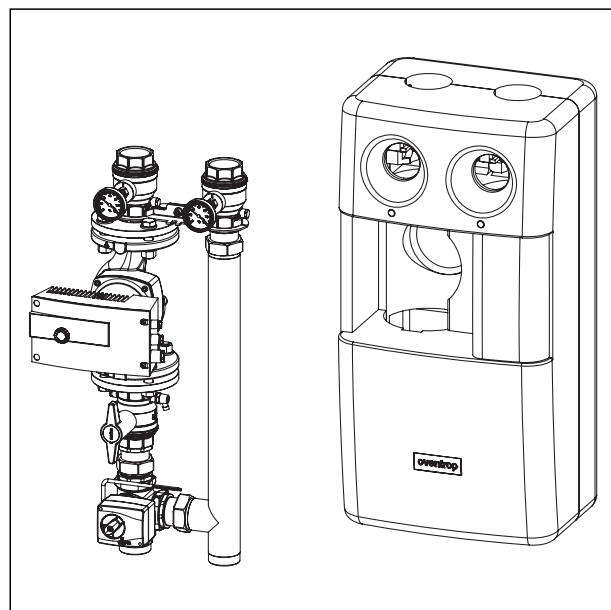
- pre-assembled connection system for pumps with a length of 280 mm with flanged connection DN 50/PN10
- easy removal of the circulation pump due to additional pump ball valve
- pump ball valve with draining/flushing valve
- return isolating ball valve with integrated check valve which can be opened manually
- with universal insulation of modular construction
- supply and return pipe can be changed on site

Choice of the "Regumat-280" stations

Product assembly DN 50 for pump length 280 mm

- The "Regumat" is available with or without circulation pump
- as basic model (without mixing valve)
- with three-way mixing valve with actuator

Installation dimensions: H = 850 mm, W = 428 mm, D = 290 mm
(depending on the installed pump)



	Model <u>without</u> mixing function	Model <u>with</u> mixing function
	"Regumat S-280"	„Regumat M3-280“
Isolation device with 2 ball valves and 2 thermometers, return ball valve with integrated check valve	X	X
Pump ball valve with draining/flushing valve	X	X
Distance piece	X	
Three-way mixing valve with actuator (suitable for the standard boiler regulations)		X
Insulation	X	X

Tender specification: "Regumat S-280" DN 50

Station for the connection of the heat generator to the heating circuit.

Consisting of: Isolation device with 2 ball valves for the isolation of the heating circuit and 2 thermometers integrated in the handles for flow and return temperature display. Return ball valve with integrated check valve to avoid any gravity circulation. Pump ball valve with draining/flushing valve. Insulation of modular construction.

Function:

The station allows the isolation of the heating supply and return circuit and a replacement of the pump during operating conditions. On delivery, the supply is on the left hand side. If required, the supply and the return pipe can be changed on site (see installation instructions).

Materials:

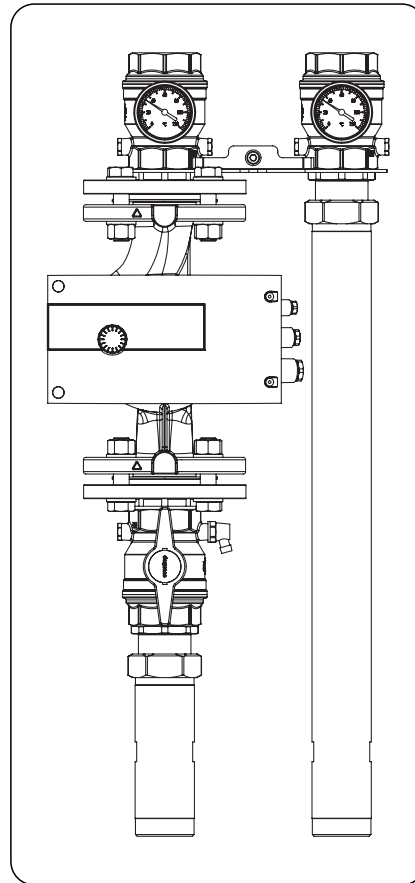
Valves: brass
Flanged pipe: galvanised steel
Seals: EPDM

Connections:

To heating circuit: Rp 2, female thread
To boiler: G 2 male thread, flat sealing
Pump: flanged connection DN 50/PN 10

Technical data:

Size: DN 50
Max. operating pressure: 10 bar (PN 10)
Max. operating temperature for standard pumps: 110 °C
Max. operating temperature for high-efficiency pumps: 95 °C
Opening pressure of the check valve: 20 mbar
 k_{VS} value: 29.3
Recommended application range: max. 200 kW
($\Delta T=20$ K, $\Delta p=100$ mbar)



"Regumat S-280" DN 50

Tender specification "Regumat M3-280" DN 50

Station for the connection of the heat generator to the heating circuit.

Consisting of: Isolation device with 2 ball valves for the isolation of the heating circuit and 2 thermometers integrated in the handles for flow and return temperature display. Return ball valve with integrated check valve to avoid any gravity circulation. Pump ball valve with draining/flushing valve. Three-way mixing valve with mounted actuator for flow temperature control. Insulation of modular construction.

Function:

The station allows the isolation of the heating supply and return circuit and a replacement of the pump during operating conditions. On delivery, the supply is on the left hand side. If required, the supply and the return pipe can be changed on site (see installation instructions).

To avoid malfunctions caused by impurities, the installations of an Oventrop strainer is recommended. The installation has to be flushed thoroughly before initial operation.

Materials:

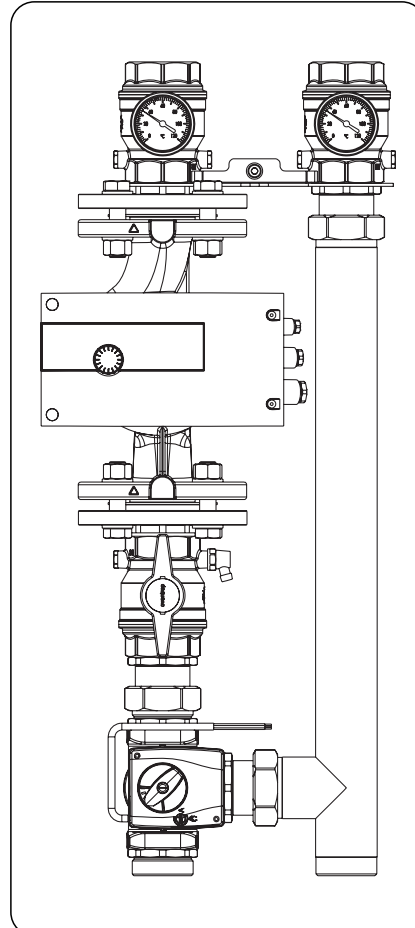
Valves: brass
Flanged pipe: galvanised steel
Seals: EPDM

Connections:

To heating circuit: Rp 2, female thread
To boiler: G 2 male thread, flat sealing
Pump: flanged connection DN 50/PN 10

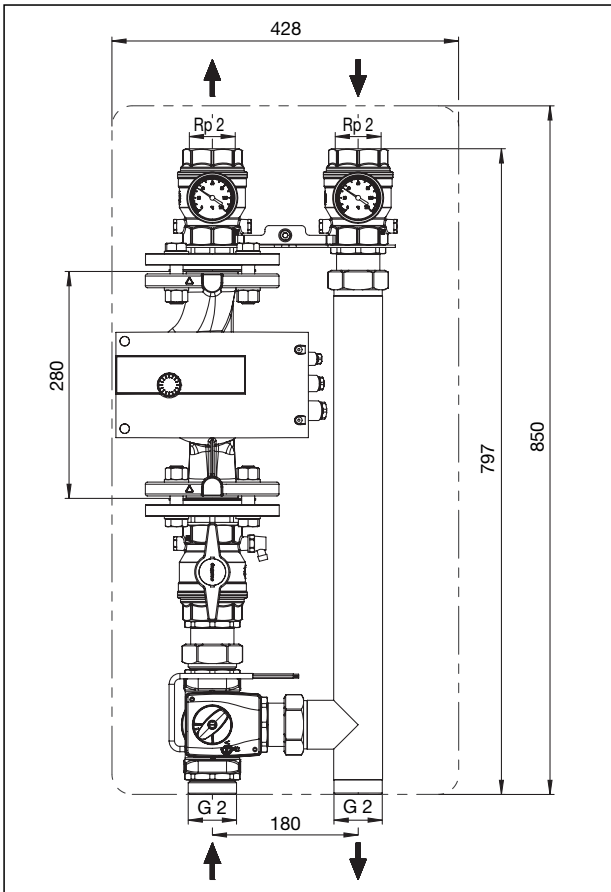
Technical data:

Size: DN 50
Max. operating pressure: 10 bar (PN 10)
Max. operating temperature for standard pumps: 110 °C
Max. operating temperature for high-efficiency pumps: 95 °C
Opening pressure of the check valve: 20 mbar
Actuator: 230V, 90°/140sec., 15Nm
 k_{VS} value: 25.1
Recommended application range: max. 200 kW
($\Delta T=20$ K, $\Delta p=100$ mbar)

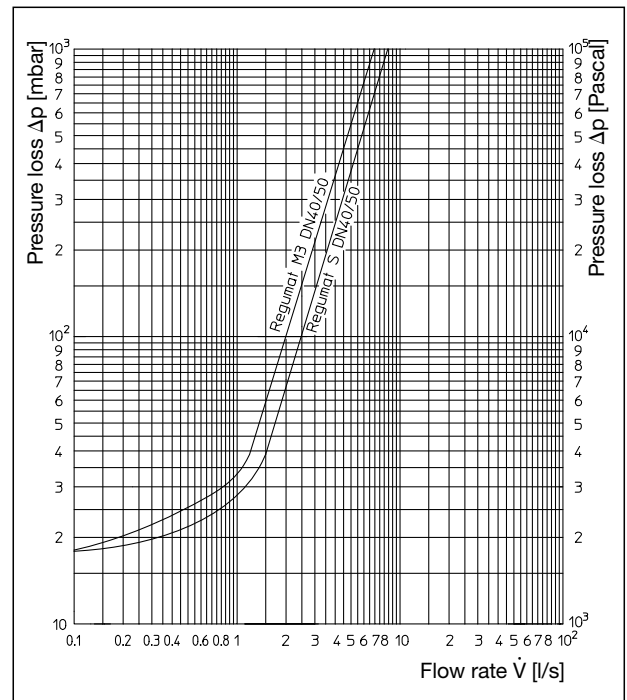


"Regumat M3-280" DN 50

Dimensions:



Flow chart:



Subject to technical modification without notice.

Product range 6
ti 251-1/10/MW
Edition 2011

OVENTROP GmbH & Co. KG
Paul-Oventrop-Straße 1
D-59939 Olsberg
Phone +49 (0)2962 82-0
Fax +49 (0)2962 82-450
E-Mail mail@oventrop.de
Internet www.oventrop.com