



The Oventrop Quality Management System is certified to DIN-EN-ISO 9001

Application:

Oventrop high-capacity plate heat exchanger with connection fitting, a modular complement to the boiler connection systems "Regumat" DN 25 for use in unsealed type surface heating systems or in existing installations with system related oxygen input. Due to the heat transmission working on the inverse flow principle, an extremely high power transfer is achieved.

The heat exchanger is available in two capacities:
14 KW/28 KW

Technical data:

Distance between pipe centres: 125 mm
Secondary/heating circuit connection (at the top): pump flange for 1½" flat sealing

Primary/boiler circuit connection (at the bottom): 1½" male flat sealing
Max. working temperature: 110°C
Max. working pressure: 8 bar

Capacity 14 KW: 14 plates
k_v value primary/secondary: 2.4/2.6
Item no.: 135 15 96

Capacity 28 KW: 30 plates
k_v value primary/secondary: 3.3/3.5
Item no.: 135 16 96

The performance data are determined by fixed given values in the primary circuit (70/50°C) and secondary circuit (40/50°C).

Function:

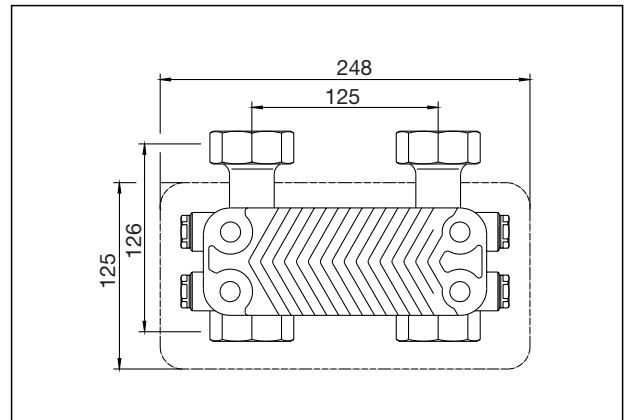
The heat exchanger prevents the penetration of oxygen from the surface heating circuit into the boiler circuit which could cause damage to ferrous system components due to oxygen corrosion. In reverse, a penetration of any corrosion products (rust pulp) from the boiler circuit into the surface heating circuit is also prevented.

Due to turbulent flow conditions, an excellent self-cleaning effect is produced.

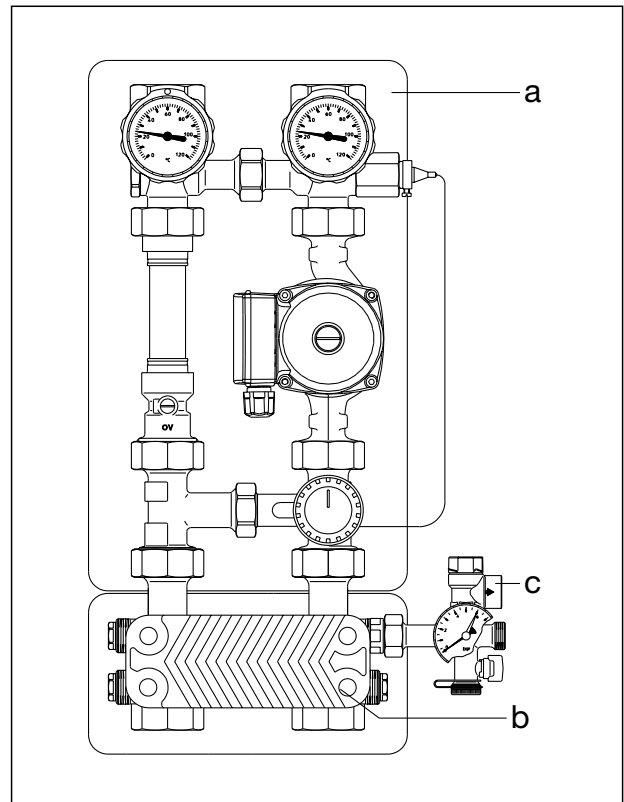
Example 1:

"Regumat FR-180" DN 25 and heat exchanger "Regumat"

In combination with the "Regumat FR", the heat exchanger module "Regumat" complements a boiler connection system with adjustable flow temperature.



Heat exchanger "Regumat"



Example 1

- a "Regumat FR-180" DN 25 with Grundfos pump Alpha + 25-60 B or Wilo pump E25/1-5 RG
- b Heat exchanger "Regumat" with 14 plates
- c Safety group

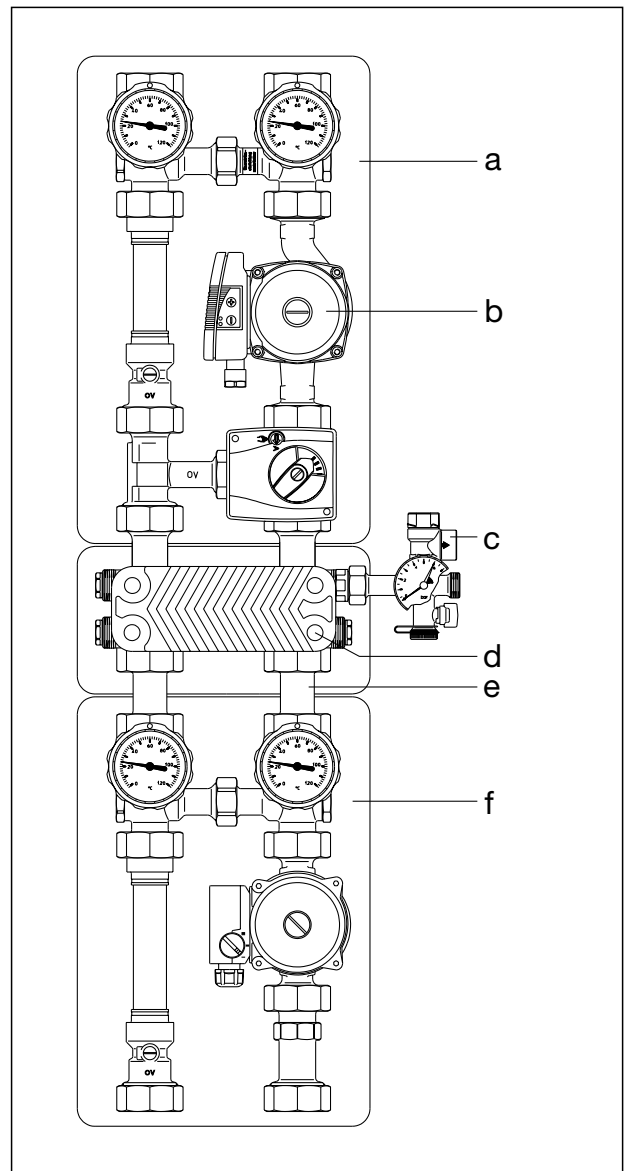
Example 2:**"Regumat M3-180" DN 25 with circulation pump with bronze body, heat exchanger "Regumat" and "Regumat S-130" DN 25**

In combination with the "Regumat M3-180" with circulation pump with bronze body in the heating circuit and a "Regumat S-130" in the boiler circuit, the heat exchanger module "Regumat" complements a boiler connection system with adjustable flow temperature.

- a "Regumat M3-180" DN 25 without pump
- b Circulation pump with bronze body 180 mm infinitely adjustable electronic rev regulation Grundfos Alpha + 25-60 B or Wilo E 25/1-5 RG
- c Safety group
- d Heat exchanger "Regumat" with 14 or 30 plates
- e Set of connection pieces
- f "Regumat S-130" with Grundfos pump UPS 25-40

All Oventrop boiler connection systems "Regumat" have the supply or the circulation pump on the right hand side. The flow direction can be reversed by exchanging the pump and the flanged pipe with due consideration of the opening direction of the check valve.

The maximum capacity of the heat exchanger is reached when working on the inverse flow principle (the cold fluid flows towards the hot fluid). When changing the flow direction, both circulation pumps (at the top and the bottom of the heat exchanger) have to be exchanged.



Example 2

Accessories:**Safety group**

For the protection of pressurized systems with

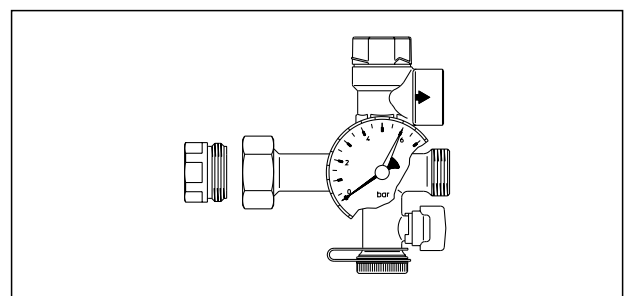
- Diaphragm safety valve 3 bar
- Pressure gauge
- Fill and drain cock
- Connection facility for a diaphragm expansion tank

The heat exchanger "Regumat" allows the hydronic separation of the primary/boiler circuit and a secondary heating circuit. According to DIN 4751-1, the secondary heating circuit must be protected against an excess working pressure by a safety valve.

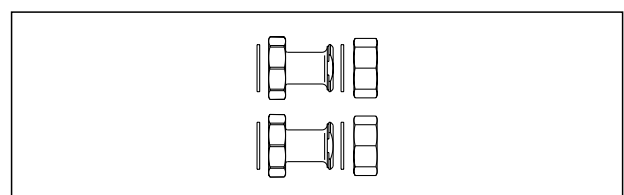
Connection set

For the connection of the heat exchanger "Regumat" to a pump group "Regumat" on the boiler side.

1½" female thread x pump flange for 1½" with collar nuts and seals.



Safety group



Connection set

Subject to technical modification without notice.

Product range 6
ti 205-1/10/MW
Edition 2007

Printed on paper free from
chlorine bleaching.

OVENTROP UK LTD.
Unit 1 - The Loddon Centre
Wade Road
Basingstoke, Hampshire RG24 8FL
Telephone (01256) 330441
Telefax (Sales) (01256) 330525
Telefax (General) (01256) 470970
E-Mail sales@oventrop.co.uk

F. W. OVENTROP GmbH & Co. KG
Paul-Oventrop-Straße 1
D-59939 Olsberg
Telefon +49 (0) 29 62 82-0
Telefax +49 (0) 29 62 82-450
E-Mail mail@oventrop.de
Internet www.oventrop.de