



The Oventrop Quality Management System is certified to DIN-EN-ISO 9001

Cast iron "Y" type strainer PN 16

Tender Specification:

Oventrop cast iron "Y" type strainer with both ends flanged PN 16. Fitted with stainless steel basket.

Body and cover made of cast iron. Stainless steel basket. Asbestos free cover gasket.

Maximum working temperature: 120°C
Maximum working pressure: 16 bar

Function:

Oventrop cast iron "Y" type strainers are suitable for most general straining purposes on non-aggressive fluids.

Materials:

Body and cover made of cast iron (GG25); stainless steel precision drilled basket. Asbestos free cover gasket.

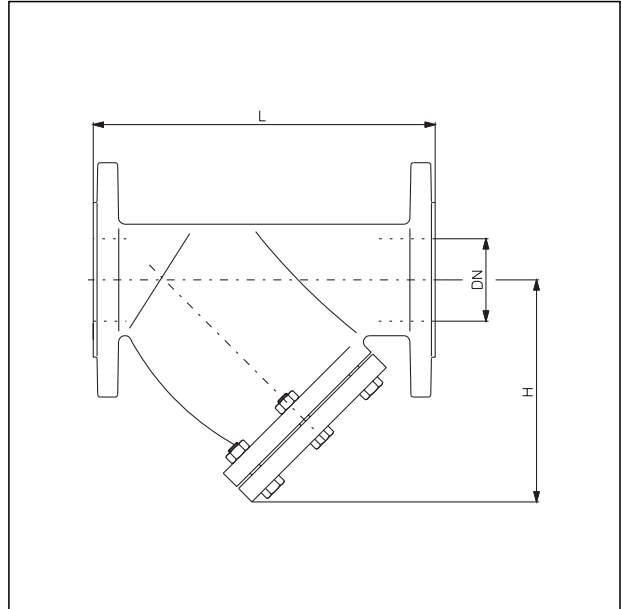
Application:

Non-aggressive fluids up to 120°C,
Water, mineral, heating and hydraulic oils.

Sizes:

DN	kv	Item No.
DN 50	104	112 20 50
DN 65	180	112 20 51
DN 80	258	112 20 52
DN 100	365	112 20 53
DN 125	567	112 20 54
DN 150	788	112 20 55
DN 200	1258	112 20 56
DN 250	1734	112 20 57
DN 300	2621	112 20 58

Dimensions:



DN	Mesh*	L	H	Kg
50	1.5	230	148	11
65	1.5	290	193	16
80	1.5	310	205	18
100	1.5	350	245	27
125	1.5	400	295	38
150	1.5	480	325	47
200	2.0	600	390	85
250	2.0	730	460	145
300	2.0	850	500	200

* Note: Other mesh sizes available on demand