



The Oventrop Quality Management System is certified to DIN-EN-ISO 9001

Cast iron gate valve PN 16

Tender Specification:

Oventrop cast iron wedge gate valve with both ends flanged PN 16. Inside screw, non rising stem. Handwheel operated.

Body, bonnet and stuffing box assembly made of cast iron. Stem and seat rings made of brass. Stem seal with teflon impregnated, asbestos free packing.

PN 16 up to 120 °C
Round flanges according to DIN EN 1092-2, PN 16.

Function:

Oventrop cast iron gate valves are suitable for most general isolating purposes on non-aggressive fluids.

The non-rising stem compliments the compact design, and allows for use in confined spaces.

Materials:

Body, bonnet and stuffing box assembly made of cast iron (EN-GJL-250 DIN EN 1561); stem and seat rings made of brass; handwheel made of steel. Teflon impregnated, asbestos free gland packing.

Application:

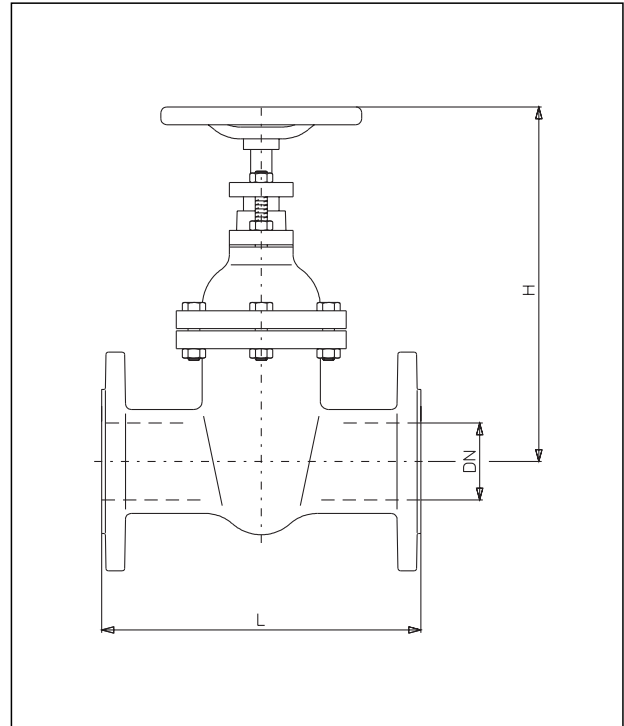
Non-aggressive fluids up to 120 °C, water, mineral, heating and hydraulic oils.

Sizes:

DN 40
DN 50
DN 65
DN 80
DN 100
DN 125
DN 150
DN 200
DN 250
DN 300

Item No.
104 50 49
104 50 50
104 50 51
104 50 52
104 50 53
104 50 54
104 50 55
104 50 56
104 50 57
104 50 58

Dimensions:



DN	L	H	Kg
40	240	230	10
50	250	265	13
65	270	300	17
80	280	340	24
100	300	370	31
125	325	415	41
150	350	460	55
200	400	555	89
250	450	665	140
300	500	730	180