



The Oventrop Quality Management System is certified to DIN-EN-ISO 9001

Description:

The Oventrop straight pattern globe valves PN 16 are installed in the pipework of hot water central heating systems and cooling systems and allow the isolation of the risers. The valves are suitable for water and mixtures of water and glycol.

The straight pattern globe valves may be installed in either the supply or the return pipe.

Lengths according to DIN 3844, series 2.

When installing the valve, it must be ensured that the direction of flow conforms to the arrow on the valve body.

The indicated kvs values are valid for installation of the straight pattern globe valves in the supply or return pipe on condition that the direction of flow conforms to the arrow on the valve body. .

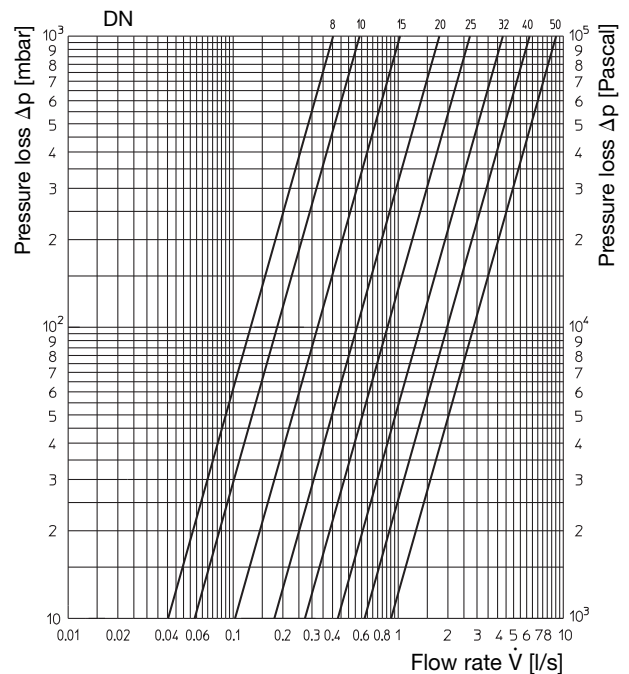
Advantages:

- Materials suitable for potable water
- Setting indicator "valve fully opened"
- Additional sealing when stem is fully opened
- Shank of the stem protected from damage by the handwheel cover
- Maintenance-free stem seal



Bronze straight pattern globe valve

Flow chart:



Straight pattern globe valve PN 16

Tender specification:

Oventrop straight pattern globe valve PN 16 for central heating and cooling systems.

Suitable for water and mixtures of water and glycol.

Valve body made of bronze, bonnet, disc and stem made of brass, disc with PTFE seal, maintenance-free stem seal due to double O-ring made of EPDM.

Installation in supply or return pipe.

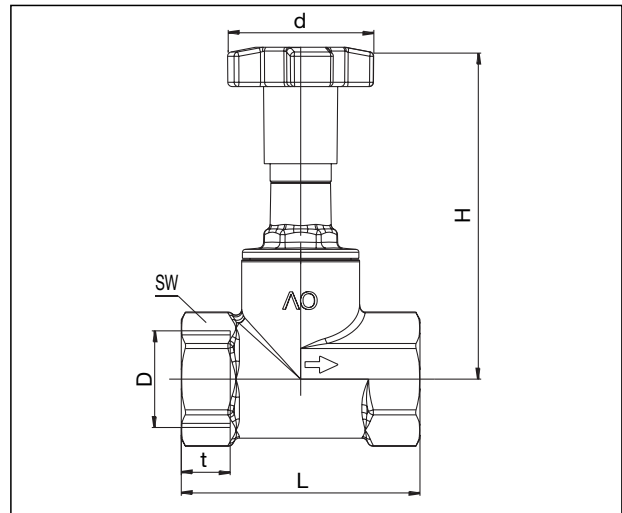
Max. operating temperature t_s : 150°C

Min. operating temperature t_s : -10°C

Max. operating pressure p_s : 16 bar

Size	kvs	Item no.
DN 8	1.45	105 21 02
DN 10	2.1	105 21 03
DN 15	3.7	105 21 04
DN 20	6.4	105 21 06
DN 25	9.8	105 21 08
DN 32	15.8	105 21 10
DN 40	22.5	105 21 12
DN 50	32.6	105 21 16

Dimensions:



D EN 10226	d	t	SW*	L	H
Rp 1/4	50	9.7	22	51	92
Rp 3/8	50	10.1	22	51	92
Rp 1/2	50	13.2	27	61.5	95
Rp 3/4	50	14.5	32	71.5	110
Rp 1	50	16.8	41	82	115
Rp 1 1/4	80	19.1	50	97	160
Rp 1 1/2	80	19.1	55	107	165
Rp 2	80	23.4	70	132	170

* SW = spanner size

Subject to technical modification without notice.

Product range 5
ti 227-1/10/MW
Edition 2010

Printed on paper free from
chlorine bleaching.

OVENTROP GmbH & Co. KG
Paul-Oventrop-Straße 1
D-59939 Olsberg
Germany
Telephone +49(0) 2962 82-0
Telefax +49(0) 2962 82-450
E-Mail mail@oventrop.de
Internet www.oventrop.de

For an overview of our global presence
visit www.oventrop.de.