

Wafer swing check valve PN 16

Tender Specification:

Oventrop wafer swing check valve suitable for mounting between PN 16 flanges.

Body and flap made of nickel plated steel.
Seat ring made of EPDM. Stainless steel hinge pin.

Maximum working temperature: 120 °C
Maximum working pressure: 16 bar
Maximum fluid velocity: 3 m/s

Function:

Oventrop wafer swing check valves are suitable for most general non-return purposes on non-aggressive fluids. They must be installed in pipework with the flow horizontal or vertically upwards.

Not recommended for hydrocarbons. (Nitrile seat for use with hydrocarbons available to order)

Wafer swing check valves are not suitable for use on pulsating flow or within 10 diameters of a reciprocating pump.

Materials:

Body and flap made of nickel plated steel; seat ring made of EPDM. Stainless steel hinge pin.

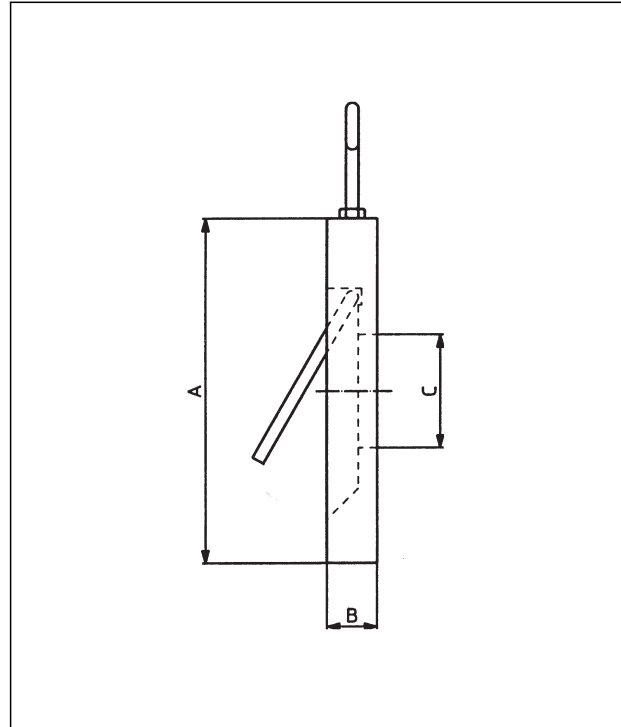
Application:

Non-aggressive fluids up to 120 °C,
Not recommended for hydrocarbons. (Nitrile seat for use with hydrocarbons available to order)

Sizes:

DN	kv	Item No.
DN 65	72	107 25 51
DN 80	125	107 25 52
DN 100	205	107 25 53
DN 125	400	107 25 54
DN 150	590	107 25 55
DN 200	1050	107 25 56
DN 250	1800	107 25 57
DN 300	2300	107 25 58

Dimensions:



DN	A	B	C	Min*	KG
65	124	14	40	62.7	1.2
80	137	14	54	77.9	1.5
100	164	18	70	102.3	2.4
125	195	18	92	128.2	3.4
150	216	20	112	154.1	4.6
200	273	22	154	202.7	7.5
250	330	26	200	254.5	13.1
300	380	32	240	304.9	20.4

Note*: Min. refers to the minimum pipe bore.