



The Oventrop Quality Management System is certified to DIN-EN-ISO 9001

Description:

The Oventrop isolating and orifice valves "Hydrocontrol A" PN 16/25 are installed in the pipework of hot water central heating and cooling systems and allow the isolation of the various circuits of the system.

The Oventrop isolating and orifice valves have 2 threaded ports for fill and drain ball valves. The valves are delivered with 2 blind plugs.

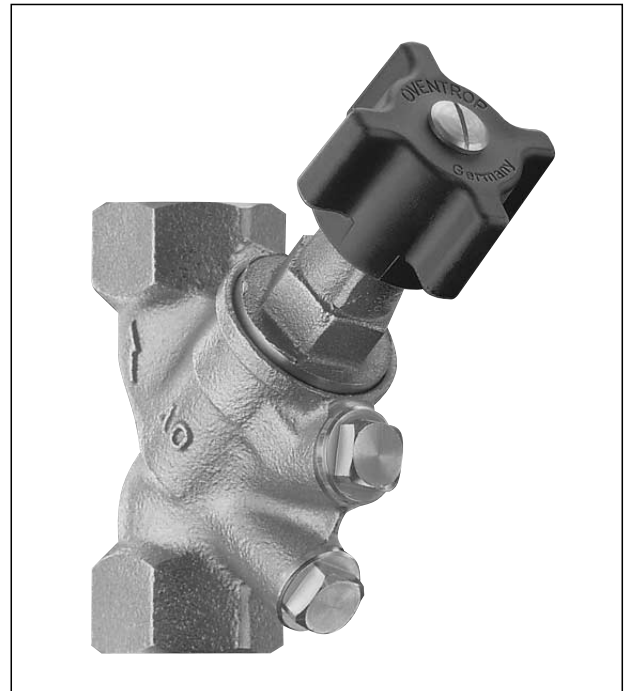
The isolating and orifice valves may be installed in either the supply or the return pipe.

Copper pipes (according to DIN EN 1057) can be connected to the female thread DN 15 and DN 20 with the help of corresponding "Ofix" compression fittings (reinforcing sleeves are to be used!).

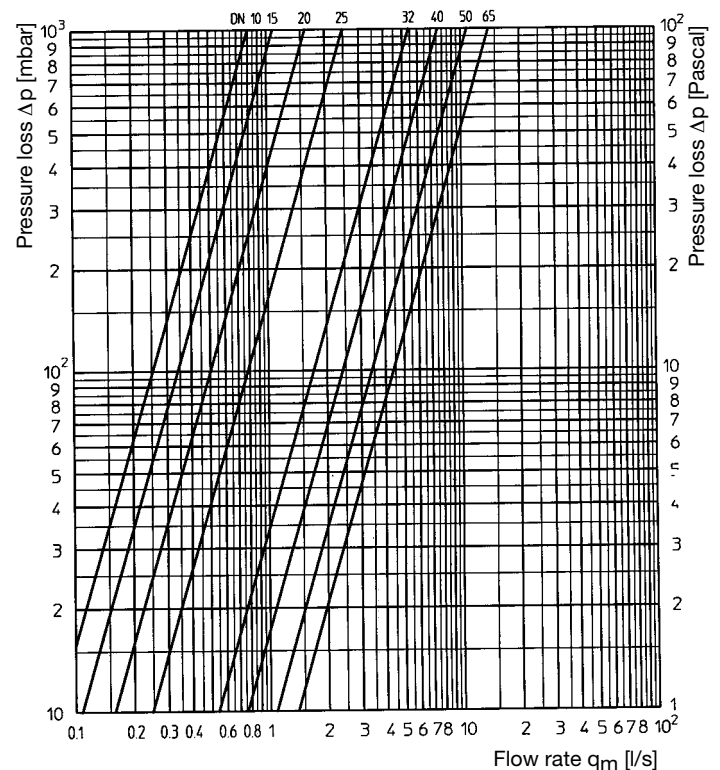
When installing the valve, it must be ensured that the direction of flow conforms to the direction of the arrow on the valve body. The indicated kvs values are valid for the installation of the isolating and orifice valves in the supply or the return pipe, provided the direction of flow conforms to the direction of the arrow on the valve body.

Advantages:

- the location of the functioning components on one level allows a simple assembly and easy operation
- only one valve for 3 functions:
 - isolating
 - filling
 - draining
- the supply and the return pipe can be marked by use of the colour rings supplied with each valve
- low pressure loss (oblique pattern)
- threads according to EN 10226 (BS 21) suitable for Oventrop compression fittings (102 71 51-58) for copper pipes with a max. diameter of 22 mm and the Oventrop composition pipe "Copipe"
- fill and drain ball valve (accessory) with internal stop with O-ring seal between the valve body and ball valve (no additional seals required)



Isolating and orifice valve "Hydrocontrol A" PN 16/PN 25



Flow chart 106 75/76

Isolating and orifice valve "Hydrocontrol A" with female thread according to EN 10226 (BS 21)

Tender specification:

Oventrop isolating and orifice valve "Hydrocontrol A" PN 25 (DN 65 and press connection PN 16) for central heating and cooling systems, not suitable for steam. Colour rings for marking of supply and return pipe. Valve body (oblique pattern) and bonnet made of bronze, disc and stem made of brass resistant to dezincification (DZR), disc with PTFE seal, maintenance-free stem seal due to double O-ring, all functioning components on one level, blind plugs and fill and drain ball valve interchangeable, installation in the supply or the return pipe.

DN 10 up to DN 50 with type approval certificate for shipbuilding.

Max. working temperature t_s : 150 °C

Min. working temperature t_s : -20 °C

Max. working pressure p_s : 25 bar
(female thread DN 10-DN 50)

Max. working pressure p_s : 16 bar (press connection, DN 65)

both ports female thread according to EN 10226 (BS 21) with threaded ports for accessories (closed with blind plugs)

Size	kvs	Item no.
DN 10	2.88	106 75 03
DN 15	3.88	106 75 04
DN 20	5.71	106 75 06
DN 25	8.89	106 75 08
DN 32	19.45	106 75 10
DN 40	27.51	106 75 12
DN 50	38.78	106 75 16
DN 65	50.00	106 75 20

both ports press connection with threaded ports for accessories (closed with blind plugs)

Size	kvs		Item no.
DN 15	2.88	15 mm	106 75 51
DN 15	3.88	18 mm	106 75 52
DN 20	5.71	22 mm	106 75 54
DN 25	8.89	25 mm	106 75 56
DN 32	19.45	35 mm	106 75 58
DN 40	27.51	42 mm	106 75 60
DN 50	38.78	54 mm	106 75 62

Press connection:

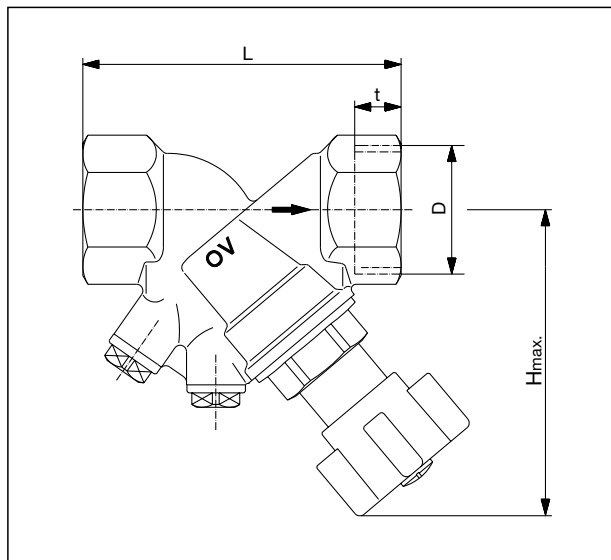
For the direct connection of copper pipes according to EN 1057 and stainless steel pipes "NiroSan".

Pressing must be carried out to tighten the connection.

Suitable for use with SANHA, Geberit-Mapress or Viega press fitting jaws.

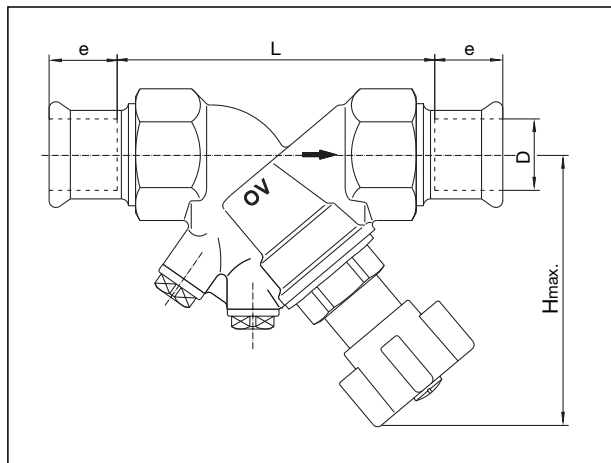
Accessories:

	Item no.
Fill and drain ball valve	106 01 91
Extension for fill and drain ball valve (80 mm)	106 02 95
Extension for fill and drain ball valve (40 mm)	168 82 95



DN	D DIN EN 10226	t	L	Hmax.	SW*
10	Rp 3/8	10.1	73	98	27
15	Rp 1/2	13.2	80	98	27
20	Rp 3/4	14.5	84	100	32
25	Rp 1	16.8	97.5	105	41
32	Rp 1 1/4	19.1	110	127	50
40	Rp 1 1/2	19.1	120	133	55
50	Rp 2	25.7	150	145	70
65	Rp 2 1/4	20.0	151	186	85

Installation dimensions both ports female thread 106 75 03-20



DN	D	e	L	Hmax.	SW*
10	15	18	85	98	27
15	18	20	85	98	27
20	22	24	91	100	32
25	28	27	104.5	105	41
32	35	32	119	127	50
40	42	37.5	129	133	55
50	54	42.5	159	145	70

Installation dimensions both ports press connection 106 75 51-62

*SW = spanner size

Isolating and orifice valve "Hydrocontrol A" with male thread and collar nut

Tender specification:

Oventrop isolating and orifice valve "Hydrocontrol A" PN 16 for central heating and cooling systems, both ports with male thread and collar nut for weldable, solder and threaded tailpipes, flat sealing, not suitable for steam. Colour rings for marking of supply and return pipe. Valve body (oblique pattern) and bonnet made of bronze, disc and stem made of brass resistant to dezincification (DZR), disc with PTFE seal, maintenance-free stem seal due to double O-ring, all functioning components on one level, blind plugs and fill and drain ball valve interchangeable, installation in the supply or the return pipe.

DN 10 up to DN 50 with type approval certificate for shipbuilding.

Max. working temperature t_s : 150 °C

Min. working temperature t_s : -20 °C

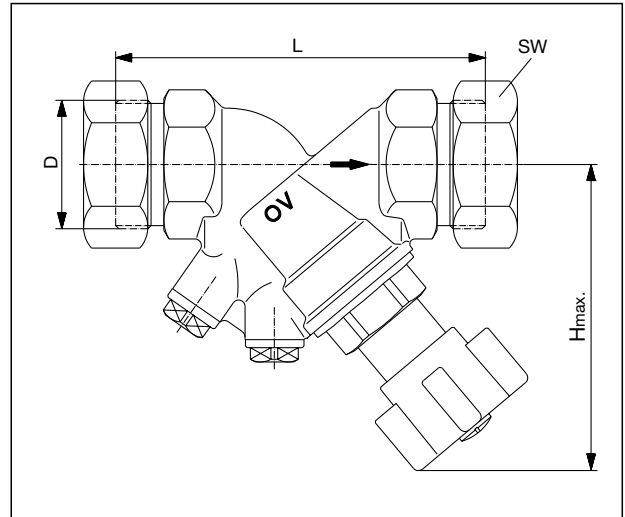
Max. working pressure p_s : 16 bar (PN 16)

both ports with male thread and collar nut
with threaded ports for accessories (closed with blind plugs)

Size	k_{VS}	Item no.
DN 10	2.88	106 76 03
DN 15	3.88	106 76 04
DN 20	5.71	106 76 06
DN 25	8.89	106 76 08
DN 32	19.45	106 76 10
DN 40	27.51	106 76 12
DN 50	38.78	106 76 16

Accessories:

	Item no.
Fill and drain ball valve	106 01 91
Extension for fill and drain ball valve (80 mm)	106 02 95
Extension for fill and drain ball valve (40 mm)	168 82 95



DN	D DIN EN 10226	L	H _{max.}	SW*
10	G 5/8	86	98	26
15	G 3/4	88	98	30
20	G 1	93	100	37
25	G 1 1/4	110	105	46
32	G 1 1/2	110	127	52
40	G 1 3/4	120	133	58
50	G 2 3/8	150	145	75

Installation dimensions both ports male thread and collar nut 106 76 03-16

*SW = spanner size

Tailpipe sets:

2 weldable tailpipes
Size

DN	Size	Item no.
DN 10	3/8"	106 05 91
DN 15	1/2"	106 05 91
DN 20	3/4"	106 05 91
DN 25	1"	106 05 91
DN 32	1 1/4"	106 05 91
DN 40	1 1/2"	106 05 91
DN 50	2"	106 05 91

2 solder tailpipes
Size

DN	Size	Item no.
DN 15	15 mm	106 10 92
DN 20	18 mm	106 10 93
DN 20	22 mm	106 10 94
DN 25	28 mm	106 10 95
DN 32	35 mm	106 10 96
DN 40	42 mm	106 10 97
DN 50	54 mm	106 10 98

2 tailpipes with male thread
Size

DN	Size	Item no.
DN 10	3/8"	106 14 91
DN 15	1/2"	106 14 91
DN 20	3/4"	106 14 91
DN 25	1"	106 14 91
DN 32	1 1/4"	106 14 91
DN 40	1 1/2"	106 14 91

2 tailpipes with female thread
Size

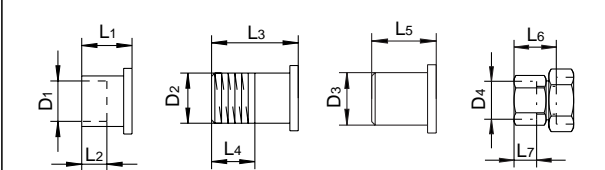
DN	Size	Item no.
DN 15	1/2"	106 13 92
DN 20	3/4"	106 13 93
DN 25	1"	106 13 94
DN 32	1 1/4"	106 13 95
DN 40	1 1/2"	106 13 96
DN 50	2"	106 13 97

Insulation shells:

Insulation shells made of Polyurethane, double shells with tongue-and-groove fitting

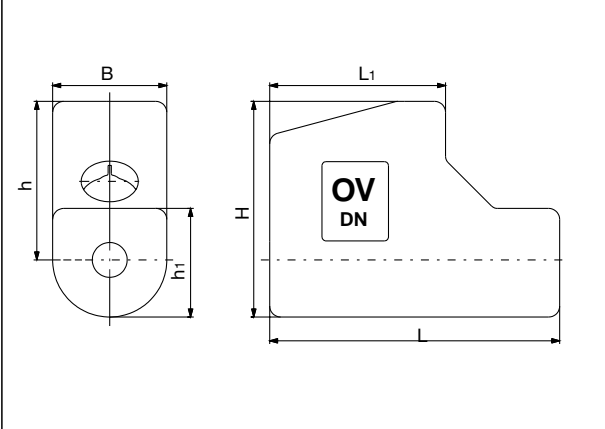
Size	Item no.
DN 10	106 00 81
DN 15	106 00 81
DN 20	106 00 82
DN 25	106 00 83
DN 32	106 00 84
DN 40	106 00 85
DN 50	106 00 86

Dimensions:



DN	D1	L1	L2	D2 EN 10226	L3	L4	D3	L5	D4 EN 10226	L6	L7
10	-	-	-	R 3/8	25	10.1	16	50	-	-	-
15	15	18	12	R 1/2	31	13.2	20.5	50	Rp 1/2	37	13.2
20	18	23	15	R 3/4	34	14.5	26	50	Rp 3/4	39	14.5
20	22	24	17	-	-	-	-	-	-	-	-
25	28	27	20	R 1	40	16.8	33	60	Rp 1	53	16.8
32	35	32	25	R 1 1/4	46	19.1	41	60	Rp 1 1/4	55	19.1
40	42	37	29	R 1 1/2	49	19.1	47.5	65	-	-	-
50	54	50	40	-	-	-	60	65	-	-	-

Insulation shells:



DN	B	L	L1	H	h	h1
15	72	183	111	136	100	69
20	80	195	122	143	103	77
25	88	243	141	151	107	85
32	102	254	149	172	121	97
40	109	250	152	185	131	105
50	125	276	163	209	147	120

Subject to technical modification without notice.

Product range 3
ti 220-0/10/MW
Edition 2008

F. W. OVENTROP GmbH & Co. KG
Paul-Oventrop-Straße 1
D-59939 Olsberg
Telephone (02962) 82-0
Telefax (02962) 82-450
Internet www.owntrop.de
E-Mail mail@owntrop.de

For an overview of our global presence visit www.owntrop.de.