

#### Tender specification:

Oventrop two-way valve with electromotive actuator for two-point control (24 V AC). Manual operation via manual setting. Brass body, valve stem made of stainless steel, seal made of NBR.

#### Item no.:

DN 15 168 06 04  
 DN 20 168 06 06  
 DN 25 168 06 08

#### Performance data:

Operating current: 24 V AC 50/60 Hz  
 Power consumption: < 13 W  
 Protection: IP 20  
 Max. operating pressure  $p_s$ : 16 bar (PN 16)  
 Operating temperature  $t_s$ : 2 °C - 90 °C

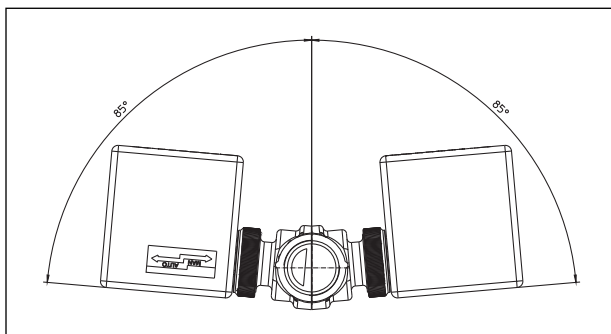
DN	15	20	25
$k_{vs}$ value	2	2.8	4.6
Max. differential pressure ( $\Delta p$ max.) in shut-off position	3 bar (300 kPa)	1.5 bar (150 kPa)	1.2 bar (120 kPa)
Opening time	< 15s	< 30s	
Closing time	< 5s	< 10s	

#### Installation:

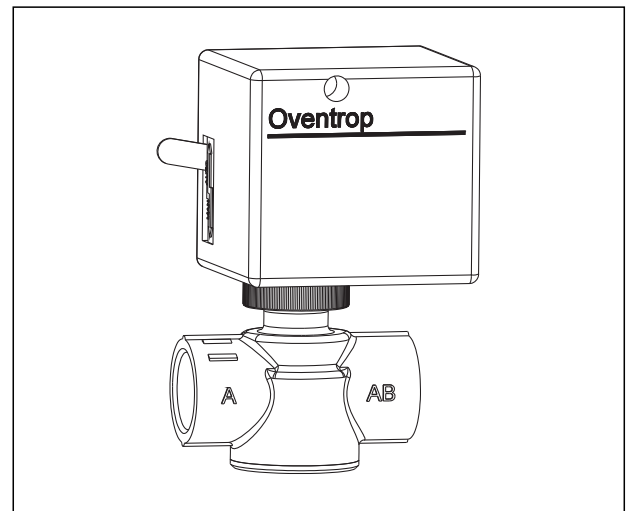
The direction of flow must conform to the arrow on the valve body "A" → "AB". The valve can be installed horizontally or vertically. When horizontally installed, the actuator must only be installed in a position with an angle smaller than 85° (see illustr.) to protect the actuator from water drops. When vertically installed, the actuator must also be protected from water drops.

Electrical connection must be carried out in accordance with the requirements of the local Electricity Board.

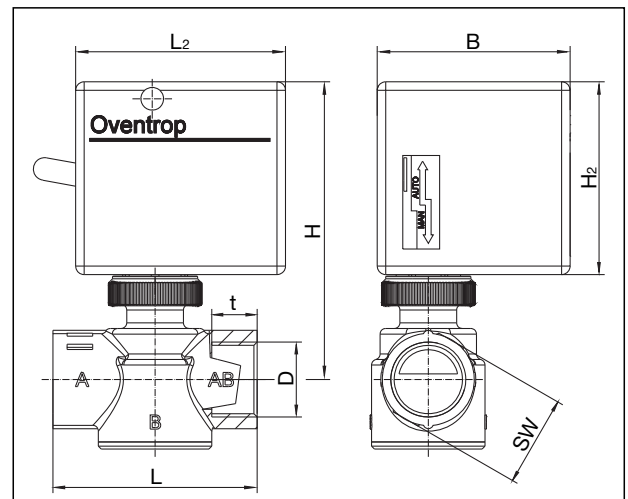
The connecting cable must not come into contact with the hot pipe as excessive heat will accelerate the ageing of the cable insulation.



Installation in a horizontal pipework



#### Dimensions:



DN	D EN 10226	T	L	L <sub>2</sub>	H	H <sub>2</sub>	B	SW*
15	G 3/4	14.5	66	74	105	68	68	28
20	G 1	16	72	74	105	68	68	32
25	G 1 1/4	19	89	74	98	60	64	40

\*SW = spanner size

#### Function:

The Oventrop two-way valves with electromotive actuator are used for two-point control, with the valve being closed with current "off". If a voltage of 24 V AC is supplied, the valve opens; shut-off position via pull back spring.

For manual operation, the valve can be turned to open position with the help of the lockable switch.

Subject to technical modification without notice.

Product range 3  
 ti 240-1/10/MW  
 Edition 2011

OVENTROP GmbH & Co. KG  
 Paul-Oventrop-Straße 1  
 D-59939 Olsberg  
 Phone +49 (0)29 62 82-0  
 Telefax +49 (0)29 62 82-450  
 E-Mail mail@oventrop.de  
 Internet www.oventrop.com