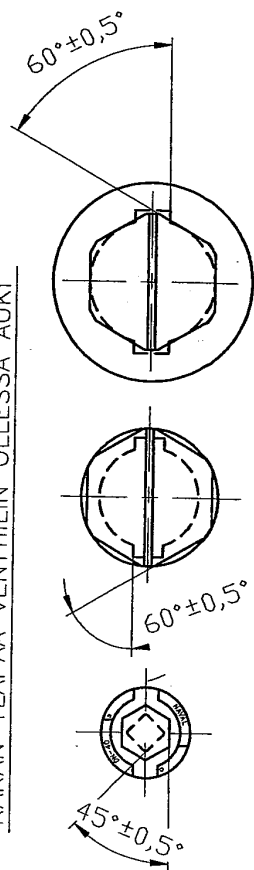


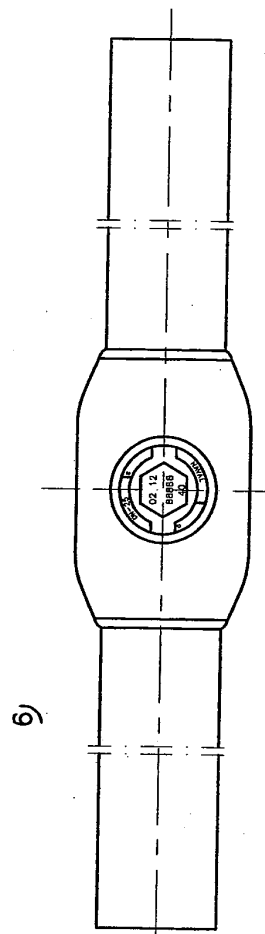
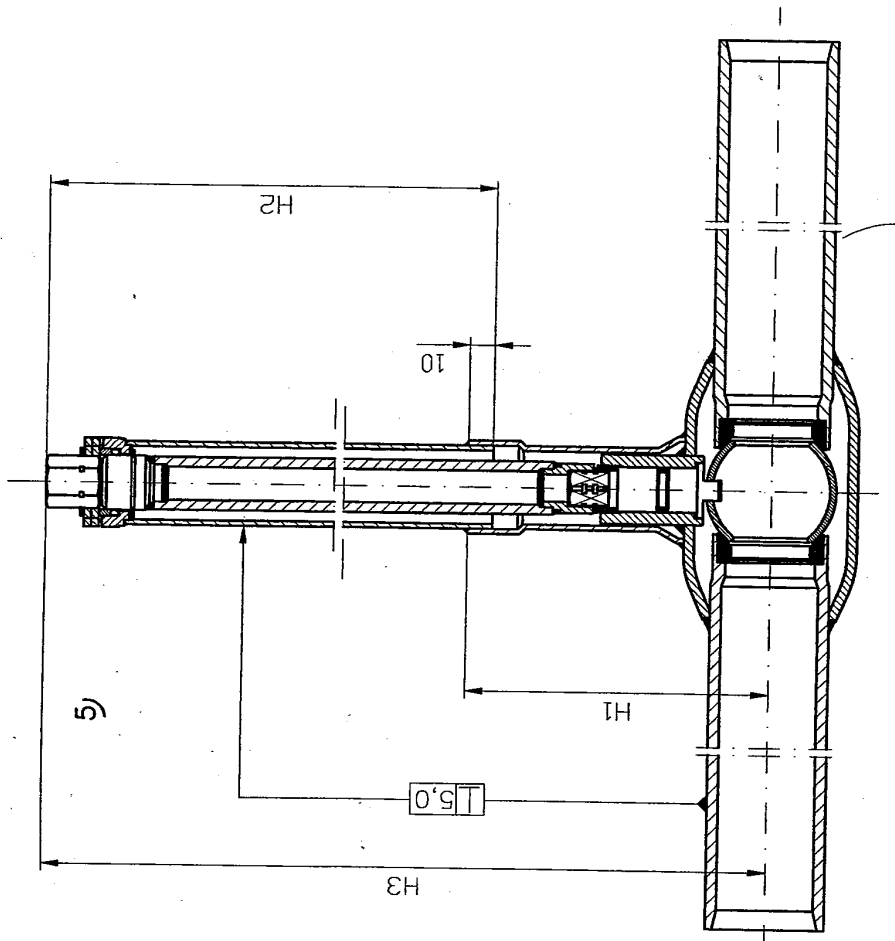
KARAN YLÄPÄÄ VENTTIILIN OLLESSA AUKI

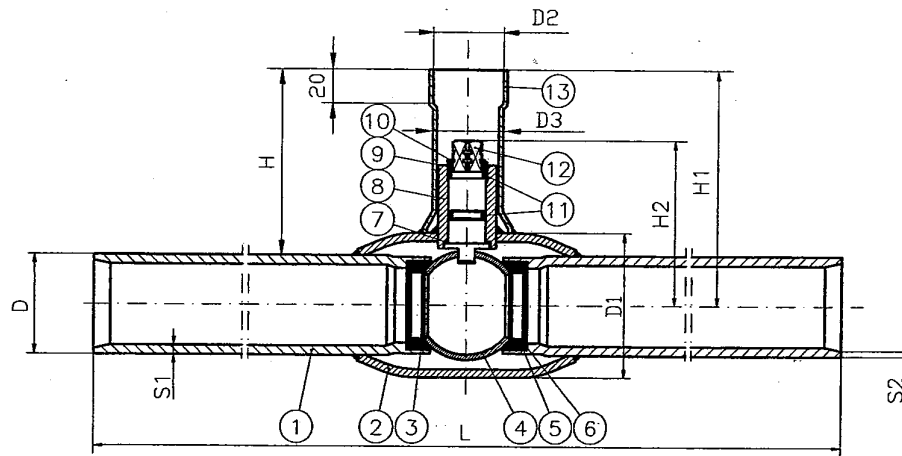


DN25-150

DN200-250

DN300





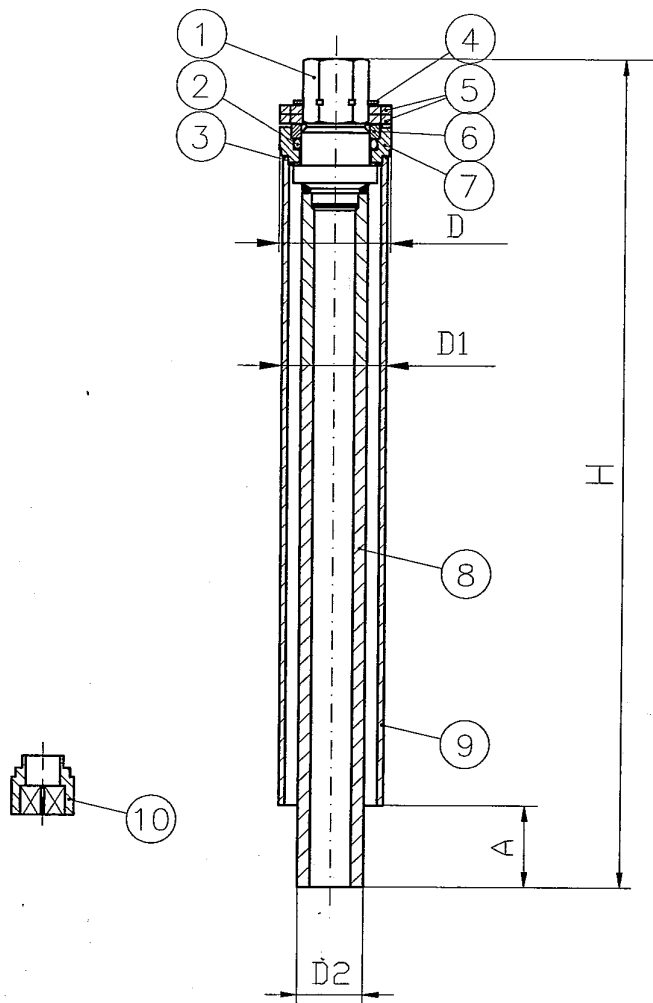
| DN | PN | Naval no. | D | D1 | D2 | D3 | L | H | H1 | H2 | S1 | S2 |
|-----|----|-----------|-------|-------|------|------|------|-----|-----|-----|-----|------|
| 25 | 40 | 25480680 | 33,7 | 48,3 | 34,2 | 33,7 | 1500 | 148 | 165 | 61 | 4,0 | 2,8 |
| 32 | 40 | 25480780 | 42,4 | 60,3 | 34,2 | 33,7 | 1500 | 152 | 173 | 64 | 4,5 | 2,75 |
| 40 | 40 | 25480880 | 48,3 | 70,0 | 34,2 | 33,7 | 1500 | 153 | 177 | 79 | 4,5 | 2,7 |
| 50 | 40 | 25480980 | 60,3 | 88,9 | 34,2 | 33,7 | 1500 | 160 | 190 | 86 | 4,0 | 2,95 |
| 65 | 25 | 25481080 | 76,1 | 101,6 | 42,9 | 42,4 | 1500 | 156 | 194 | 123 | 5,0 | 2,95 |
| 80 | 25 | 25481180 | 88,9 | 121 | 42,9 | 42,4 | 1500 | 160 | 204 | 135 | 5,6 | 3,3 |
| 100 | 25 | 25481280 | 114,3 | 146 | 60,9 | 60,3 | 1500 | 159 | 216 | 182 | 6,3 | 3,6 |
| 125 | 25 | 25481380 | 139,7 | 177,8 | 60,9 | 60,3 | 1500 | 131 | 235 | 202 | 6,3 | 3,55 |
| 150 | 25 | 25481480 | 168,3 | 219,1 | 60,9 | 60,3 | 1500 | 171 | 255 | 222 | 7,1 | 3,95 |

| ITEM | DESCRIPTION | MATERIAL | |
|------|--------------|-----------------|-------------------------|
| 1 | WELDING END | CARBON STEEL | St 37.0 |
| 2 | BODY | CARBON STEEL | St 37.0 (DN40=St 35.8) |
| 3 | SEAT RING | FLUOROPLASTIC | PTFE+C |
| 4 | BALL | STAINLESS STEEL | AISI316<DN32>AISI 304 |
| 5 | SUPPORT RING | STAINLESS STEEL | AISI 316<DN100>CR-PLATE |
| 6 | CUP SPRING | SPRING STEEL | C67 |
| 7 | RING | FLUOROPLASTIC | PTFE+C |
| 8 | NECK | CARBON STEEL | Fe 52 EP |
| 9 | BUSHING | FLUOROPLASTIC | PTFE |
| 10 | LOCK RING | STEEL | DIN 471 |
| 11 | O-RING | FLUROELASTOMER | FPM |
| 12 | STEM | STAINLESS STEEL | AISI 303 |
| 13 | STEM COVER | STAINLESS STEEL | AISI 304 |

LONG STEM BALL VALVE BASIC SERIE
STEEL, PN40, PN25 LENGHT 1,5M

40972

A01



| DN | D | D1 | D2 | A |
|---------|-------|------|------|----|
| 25-32 | 36 | 33,7 | 21,3 | 87 |
| 40-50 | 36 | 33,7 | 21,3 | 80 |
| 65-80 | 36 | 42,4 | 21,3 | 60 |
| 100 | 60 | 60,3 | 33,7 | 24 |
| 125-150 | 60 | 60,3 | 33,7 | 24 |
| 200 | 6K-90 | 88,9 | 60,3 | 91 |
| 250 | 6K-90 | 88,9 | 60,3 | 91 |
| 300 | 6K-90 | 88,9 | 60,3 | 91 |

| DN | NAVAL NO H=0,5m | H=1,0m | H=1,5m | H=2,0m | H=2,5m | H=3,0m |
|---------|-----------------|----------|----------|----------|----------|----------|
| 25-32 | 29874005 | 29874010 | 29874015 | 29874020 | 29874025 | 29874030 |
| 40-50 | 29874205 | 29874210 | 29874215 | 29874220 | 29874225 | 29874230 |
| 65-80 | 29874405 | 29874410 | 29874415 | 29874420 | 29874425 | 29874430 |
| 100 | 29874605 | 29874610 | 29874615 | 29874620 | 29874625 | 29874630 |
| 125-150 | 29874705 | 29874710 | 29874715 | 29874720 | 29874725 | 29874730 |
| 200 | 29874905 | 29874910 | 29874915 | 29874920 | 29874925 | 29874930 |
| 250 | 29875005 | 29875010 | 29875015 | 29875020 | 29875025 | 29875030 |
| 300 | 29875105 | 29875110 | 29875115 | 29875120 | 29875125 | 29875130 |

| ITEM | DESCRIPTION | MATERIAL | |
|------|----------------|-----------------|----------|
| 1 | STEM | STAINLESS STEEL | AISI 304 |
| 2 | O-RING | FLUOROELASTOMER | FPM |
| 3 | RING | FLUOROPLASTIC | PTFE+C |
| 4 | LOCK RING | STAINLESS STEEL | DIN 471 |
| 5 | STOP COLLAR | CHROME STEEL | |
| 6 | BUSHING | FLUOROPLASTIC | PTFE+C |
| 7 | NECK | STAINLESS STEEL | AISI 304 |
| 8 | EXTENSION PIPE | CARBON STEEL | St 37.0 |
| 9 | STEM COVER | STAINLESS STEEL | AISI 304 |
| 10 | ADAPTER | CARBON STEEL | |

| | | |
|------------------------------|-------|-----|
| EXTENSION STEM SPECIAL HIGHT | 48740 | D00 |
|------------------------------|-------|-----|