

Lossnay

Models:

LGH-150RVXT-E

LGH-200RVXT-E

LGH-250RVXT-E

Installation Instructions

Lossnay Energy Recovery Ventilator

MODELS:

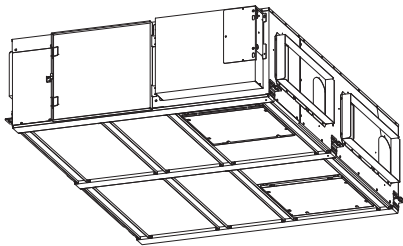
LGH-150RVXT-E

LGH-200RVXT-E

LGH-250RVXT-E

Installation Instructions

(For use by dealer/contractor)



Contents

Safety precautions.....	1
Outline drawings.....	3
Before installation.....	3
Standard installation examples.....	4
Installation method.....	4
Function settings.....	13
Check points after installation work.....	22
Trial operation.....	22

This product needs to be installed properly in order to ensure maximum functionality as well as safety. Please make sure to read this installation manual before starting the installation.






- Installation must be performed by a dealer or installation contractor. Please note that improper installation may cause malfunction or accident.

“Operating Instructions” and this manual must be handed over to the customer after completing the installation.

Safety precautions




The following signs indicate that death or serious injury may be caused by failure to heed the precautions described below.

WARNING

 Do not disassemble	<p>Do not modify or disassemble. (It could cause fire, electric shock or injury.)</p>	 The instructions given must be followed.	<p>Wiring work must be performed by qualified professionals, and be implemented safely and securely in accordance with the engineering standards and the extension wiring rules for electrical equipment. (Poor connection or improper wiring work could cause electric shock or fire.)</p> <p>Install a power supply isolator at the power supply side as per local electrical regulations. All supply circuits must be disconnected before obtaining access to the terminal devices. Use the specified cable size and connect the cables securely to prevent disconnection when they are pulled. (If there is a defect in the connection, there is a possibility of fire.)</p> <p>Select an adequate place for the opening to introduce outdoor air, where it will not intake the exhaust fumes like combustion gas, or others, and there is no risk of blockage. (Shortage of fresh air could put the room in a state of oxygen deficiency.)</p> <p>A duct made of steel must be installed with care not to be connected electrically with metal, wire, stainless steel plate, or others. (It could cause fire when power leakage occurs.)</p>
 Prohibition of use in bath or shower room	<p>The Lossnay unit and remote controller should not be installed where it is highly humid, like a bathroom, or other wet place. (It could cause electric shock or power leakage.)</p>		
 Connect the grounding wire.	<p>Connect the product properly to ground. (Malfunctioning or power leaks can cause electrical shock.)</p>		
 The instructions given must be followed.	<p>Use the specified power supply and voltage. (Use of incorrect power supply or voltage could cause fire or electric shock.)</p> <p>Select a place with sufficient strength and install the main unit securely. (It could cause injury if it falls.)</p>		

Safety precautions (continued)

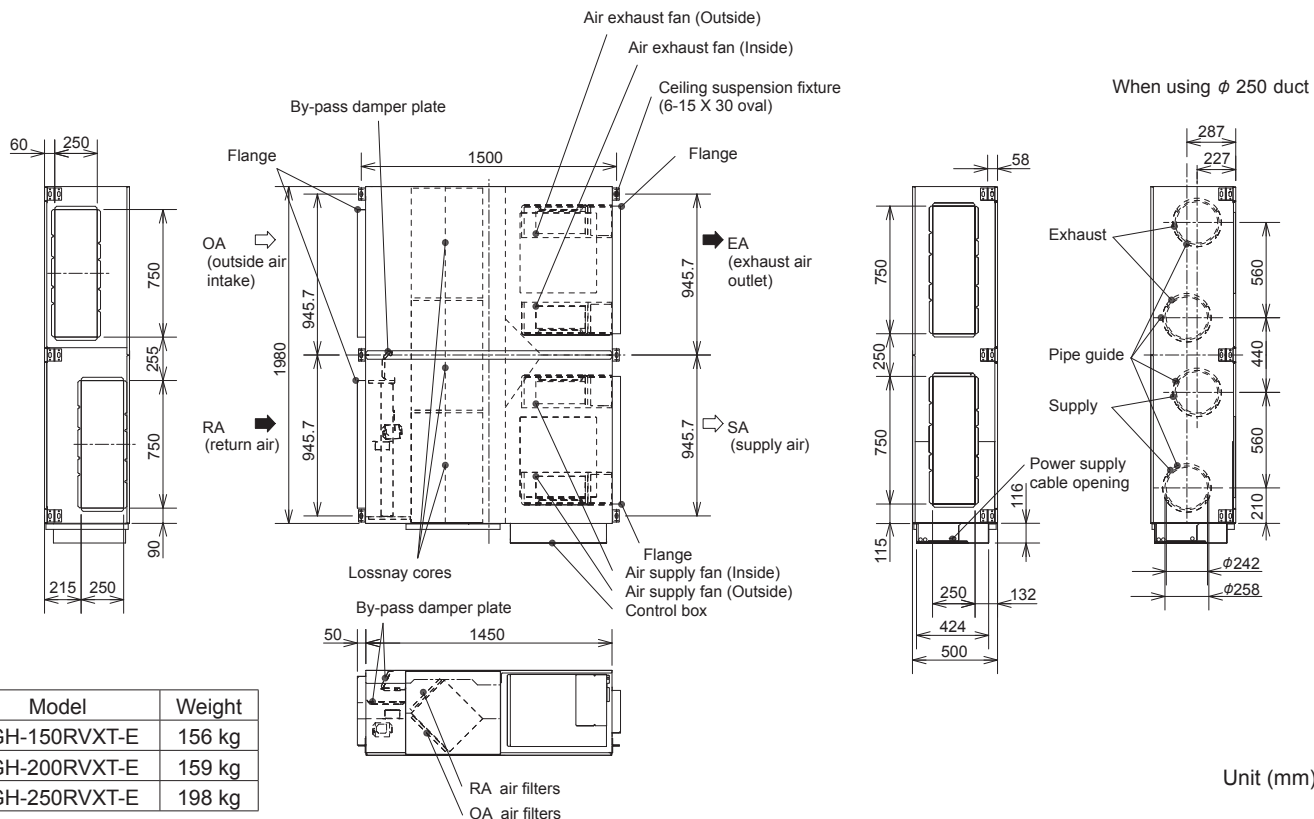
CAUTION

 Prohibited	<p>Do not place a burning appliance in a place where it is exposed directly to the air from the Lossnay unit. (It could cause an accident as a result of incomplete combustion.)</p> <p>Do not use at a place where it is exposed to high temperatures (40°C or higher), naked flames, or in environment with combustible fumes. (It could cause fire.)</p> <p>Do not use in an environment such as a chemical factory, where hazardous gases such as acidic gases, alkaline gases, organic solvent fumes, paint fumes, or gases containing corrosive components are generated. (It could malfunction.)</p> <p>Do not install this product in a place where it is exposed to ultraviolet light. (UV may damage covering insulation.)</p>		<p>The control box cover must be closed after the installation. (Dust or humidity may cause power leakage or fire.)</p> <p>When connecting external devices (electric heater, damper, lamp, monitoring unit, etc.) using output signals of the Lossnay unit, make sure to install safety equipment for the external devices. (It could cause fire, damage, etc. without safety equipment.)</p> <p>Select a duct heater in compliance with local and national laws, ordinances, and standards.</p> <p>Select a duct heater that has obtained the CE mark.</p> <p>Install the duct heater separated from the product by a distance of 2 m or more. (Failure to do so may result in fire or equipment damage due to the transmission of residual heat from the heater.)</p>
 The instructions given must be followed.	<p>Put on gloves during installation. (It could cause injury.)</p> <p>Make sure the power supply isolator is turned off on the power distribution panel when Lossnay is not used for a long period of time after the installation. (It could cause electric shock, power leakage, or fire as a result of deteriorated insulation.)</p> <p>Always use the specified suspension bolts, nuts and washers or correctly rated wire / chain hangers. (Use of hardware with insufficient strength could result in the product dropping.)</p> <p>The outside ducts must be tilted at a gradient (1/30 or more) down toward the outdoor louvres from Lossnay, and properly insulated. (The entry of rain water may cause power leakage, fire, or damage to household property.)</p>	 The instructions given must be followed.	<p>This appliance is not intended for use by persons (including children) with reduced physical sensory or mental capabilities, or lack of experience and knowledge, unless they have been given supervision or instruction concerning use of the appliance by a person responsible for their safety. Children should be supervised to ensure that they do not play with the appliance.</p> <p>(This appliance can be used by children aged from 8 years and above and persons with reduced physical, sensory or mental capabilities or lack of experience and knowledge if they have been given supervision or instruction concerning use of the appliance in a safe way and understand the hazards involved. Children shall not play with the appliance. Cleaning and user maintenance shall not be made by children without supervision.)</p>

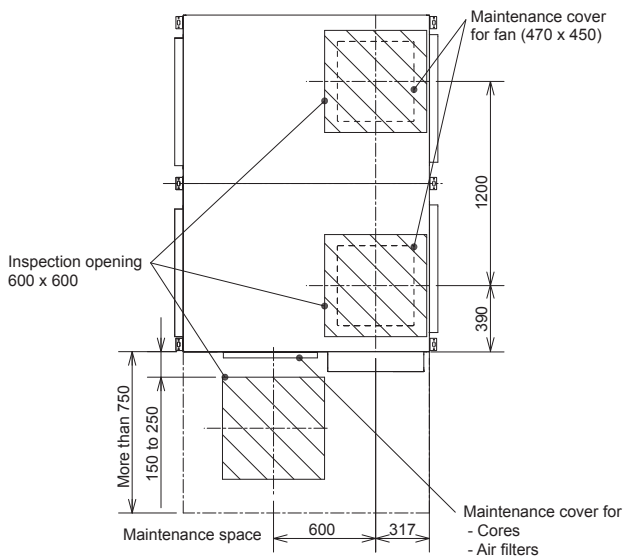
CAUTION

<ul style="list-style-type: none"> ● When using the product where it is exposed to high temperatures and humidity (40°C or higher, RH 80% or higher), or where fog occurs frequently, moisture is likely to condense in the core, and may result in condensation build up in the unit. The product should not be used under such conditions. ● Outdoor air may enter the Lossnay owing to the pressure difference between indoor and outdoor or external winds even when the product is not operated. It is recommended to install an Electrically operated damper to block the outdoor air. ● In a cold weather area, an area with strong external winds or where fog occurs frequently, cold outdoor air, external winds or fog may be introduced into the product when its operation is stopped. It is recommended to install an Electrically operated damper. 	<ul style="list-style-type: none"> ● When using the product in an environment where there is a window, or opening near the outdoor louvre, where insects are likely to gather around the interior or exterior light, take note that small insects may intrude into the product. ● In a cold weather area, or others, dewing or freezing could occur on the main unit, where the duct is connected, or other sections, depending on the conditions of outdoor air and indoor temperature and moisture, even if they are within the range of operating conditions. Make sure to confirm the operating conditions and other precautions, and do not use the product if dewing or freezing is anticipated. *Example of dewing condition - Outdoor air: -5°C or lower, dew-point temperature at installation place: 10°C or higher (When the indoor temperature is 22°C or higher with the relative humidity higher than 50%, or other)
--	--

Outline drawings



Reference for maintenance space



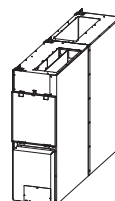
Accessory parts

- Mounting screws 4-8 for duct flanges x50
(2 pcs are spare)
- Duct connecting flanges (ϕ 250) x4
- L shape pieces for 250 x 750 duct flanges x8
- Slim-Lossnay connection cable (gray: two wires) x1

Before installation

- Accessory parts are in the Lossnay unit (OA duct place) together with manuals. Please remove all accessory parts before starting installation.
- Damper plate is fixed against transportation vibration. Please make it free before starting installation.

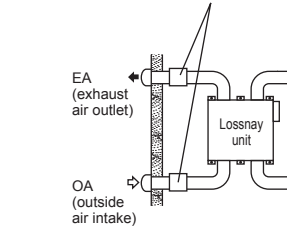
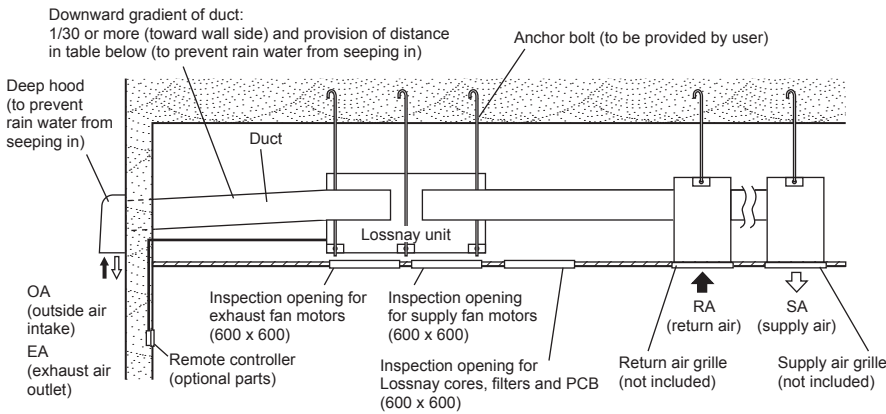
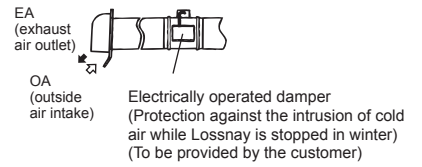
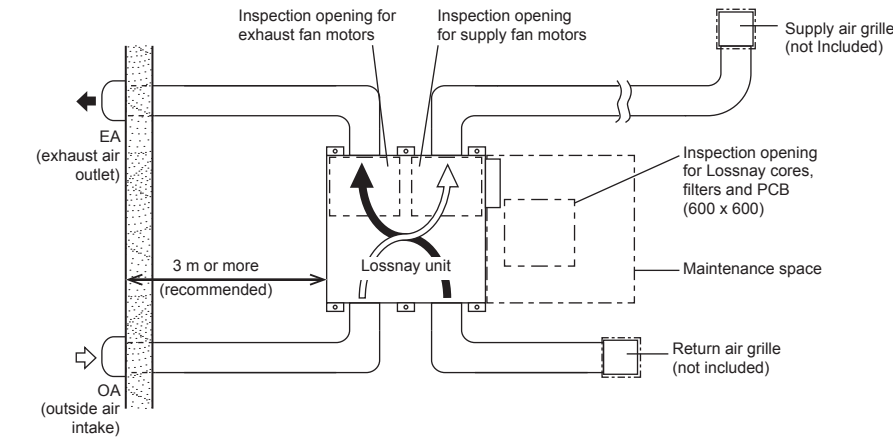
- If carrying the product into the building is difficult due to the product's size, it is possible to stand the product up like the picture below.



CAUTION

- Before standing the product up, remove the Lossnay cores and filters (See page 3 of the operating instructions.)

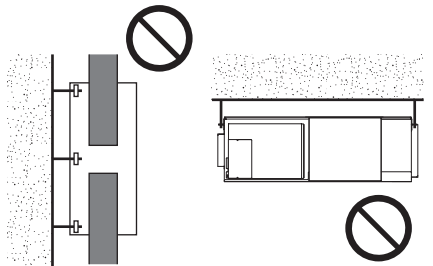
Standard installation examples



- In a region where there is risk of freezing in winter, it is recommended to install an Electrically operated damper, or the like, in order to prevent the intrusion of (cold) outdoor air while Lossnay is stopped.

⚠ CAUTION

- Do not install Lossnay unit vertically or on an incline.
- Do not install Lossnay unit up-side-down.



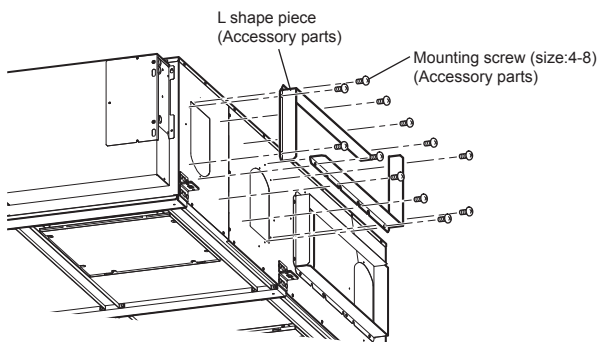
Installation method

Installing the Lossnay unit

1. Attaching the duct connecting flanges

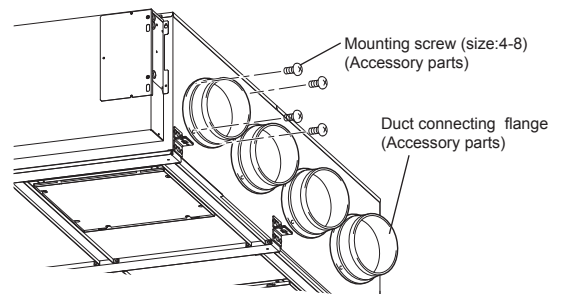
1) 250 x 750 duct flanges

Use the supplied screws (size:4-8) to fix L shape pieces and form 250 x 750 flanges to the Lossnay unit.



2) $\phi 250$ duct flanges

For supply and exhaust path, $\phi 250$ duct x 2 can be used. Use the supplied screws (size:4-8) to secure $\phi 250$ duct connecting flanges to the Lossnay unit.



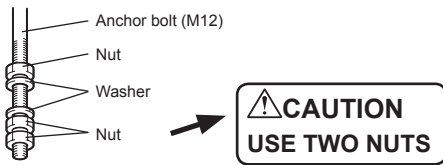
⚠ CAUTION

- Before attaching the duct connecting flanges, check that no foreign matter (scraps of paper, vinyl, etc.) has found its way inside to Lossnay unit.

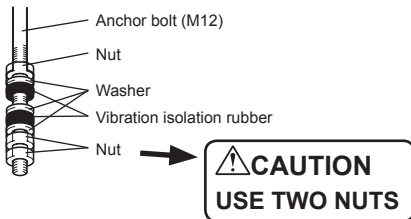
Installation method (continued)

2. Preparing the anchor bolts (M12)

Mount the washers (outer diameter of >24 mm) and nuts onto the pre-recessed anchor bolts (M12), as shown in the figure below.

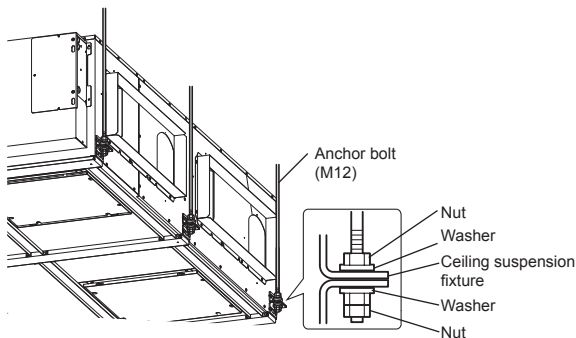


[When using (customer-prepared) vibration isolation rubber]
When using (customer-prepared) vibration isolation rubber, there is a possibility of this causing a decrease in strength, so we recommend the following type of construction.



3. Mounting Lossnay unit

- (1) Hang the ceiling suspension fixtures on the anchor bolts and adjust in such a way that Lossnay unit is level.
- (2) Tighten up securely using double nuts.



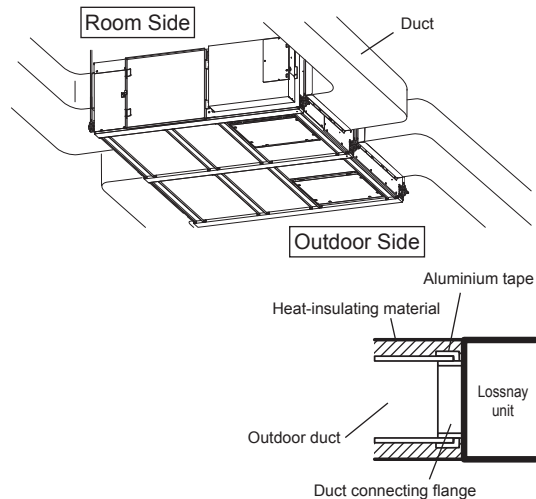
⚠ CAUTION

- When suspending Lossnay unit from the ceiling, do not handle it in such a way that force will be applied to the control box.
- Install the anchor bolts to ensure the product's weight or earthquake load. (Correctly rated wire/chain may also be used)

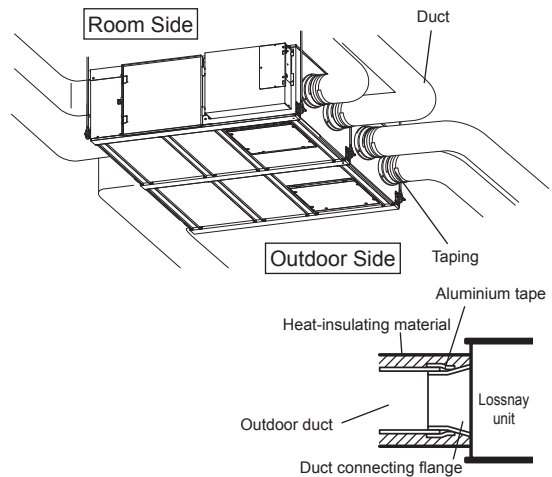
4. Connecting the ducts

- (1) Fasten the duct securely to the duct connecting flange, and wrap aluminium tape (field supply) around the joints so that there is no air leakage.
- (2) Suspend the ducts from the ceiling so that their weight will not be applied to the Lossnay unit.
- (3) The two outdoor ducts must be covered with heat-insulating material in order to prevent condensation from forming.

250 x 750 duct flanges



φ250 duct flanges

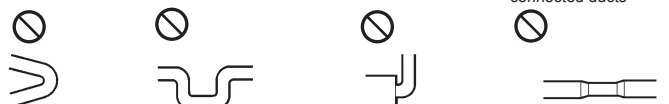


⚠ CAUTION

- When on-site commissioning is planned, a straight duct length more than 10xD (D=duct diameter or equivalent) from the source of turbulence like bends, contractions and dampers etc, to the measurement point is recommended for correct measurement.
In the United Kingdom, on-site measurement should therefore be measured in accordance with BSRIA guideline (Commissioning Air System. Application procedures for buildings AG3/89.3(2001))
- Before attaching the ducts, check that no (debris or any other) foreign matter (scraps of paper, vinyl, etc.) has found its way inside the ducts.
- Do not touch the damper plate inside Lossnay unit when connecting the ducts. (When the rectangular duct is secured with screws, check that the screws are not collided to the damper plate.)
- If it is expected that the ambient temperature around the place where the Lossnay unit is installed will be high during the summer air conditioning season, it is recommended that the indoor duct work be covered with insulation material.
- Do not place the auxiliary blower to the exhaust side air passage.

Do not carry out the following types of duct construction. (Doing so could cause a drop in the air volume and generate abnormal noises.)

- Extremely sharp bends
- Multiple bends
- Bends right next to the outlet
- Extreme reduction in the diameter of the connected ducts



Installation method (continued)

Electrical installation

With this product, the wiring installation method will vary according to the design of the system.

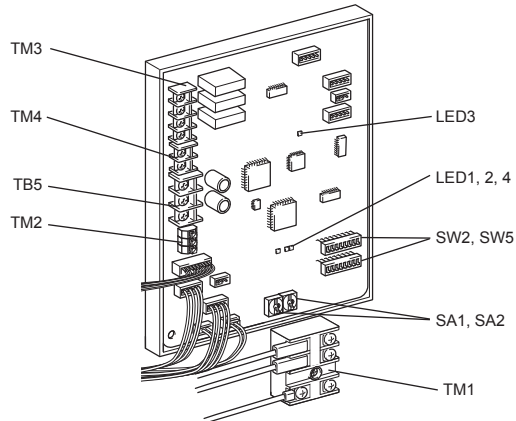
Perform electrical installation to meet local electrical regulations.

* Always use double insulated PVC cable for the transmission cables.

* Wiring work must be performed by qualified professionals.

* All supply circuits must be disconnected before obtaining access to the terminal devices.

Names of components in control box

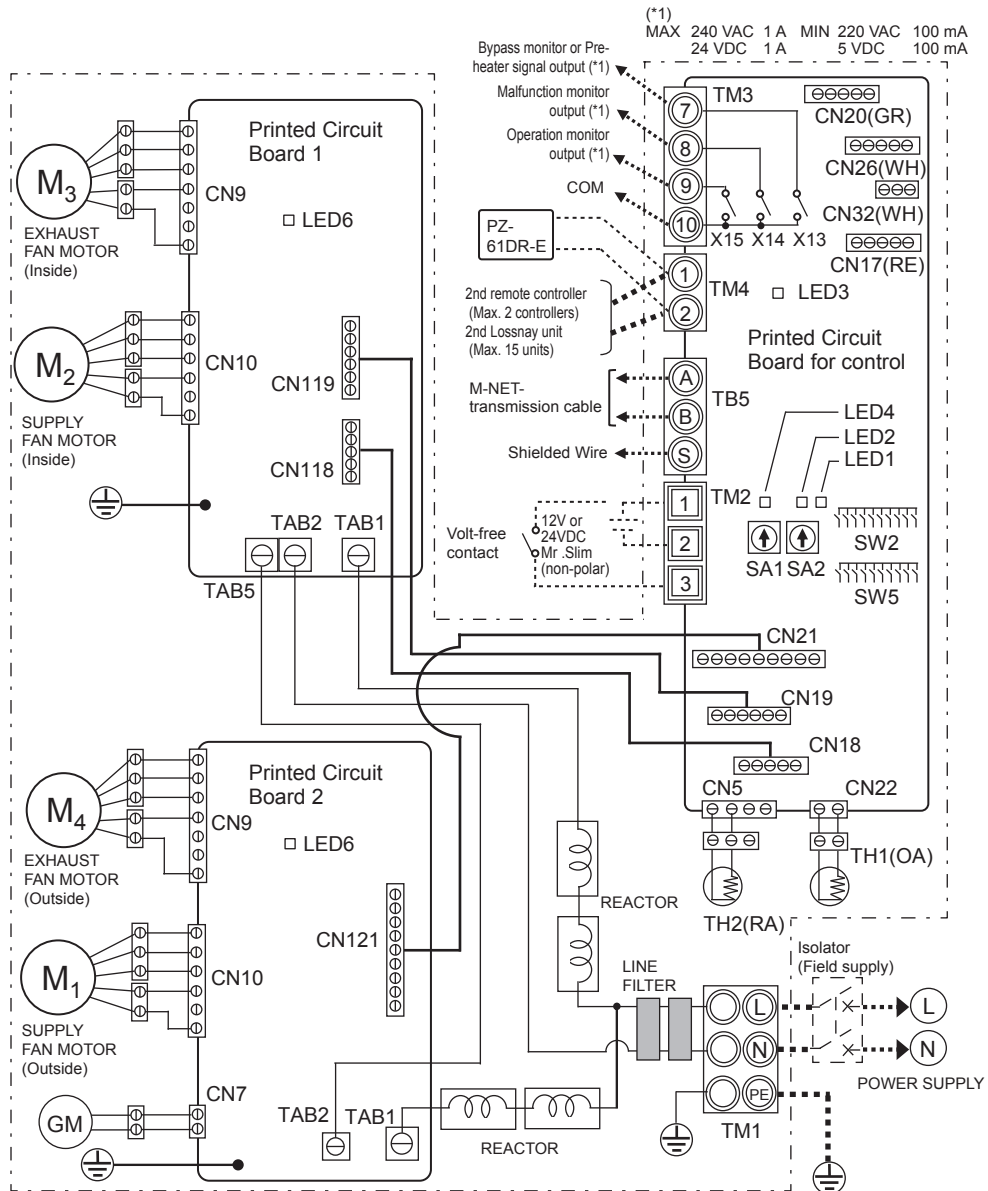


Installation method (continued)

Wire connection diagram ----- Model LGH-150 and 200 RVXT-E

- * TM1, TM2, TM3, TM4, TB5 shown in dotted lines are field work.
- * Be sure to connect the ground wire.
- * A power supply isolator must be installed.
- * Always use an isolator for the main switch power connection.
- * Select proper circuit breaker according to the electrical current information in the chart below.

Model	LGH-150RVXT-E	LGH-200RVXT-E
Maximum current when operating [A]	5.6	6.4
Inrush current after power supply ON [A]	10 ms	12.1
	100 ms	6.6



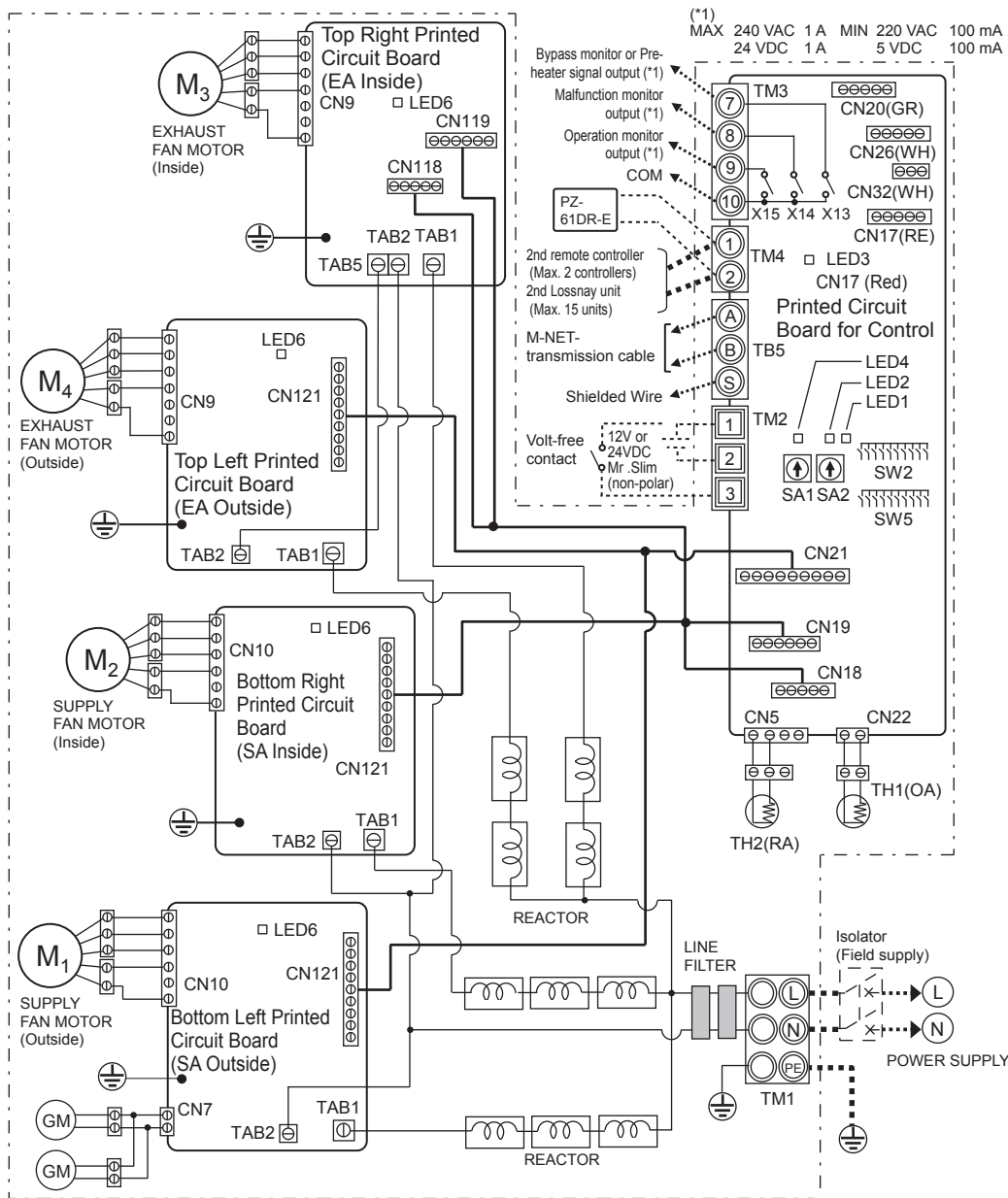
Definition of symbols		
M1: Motor for supply fan (outside)	TAB1, TAB2, (TAB5): Connector (Power supply)	CN119: Connector
M2: Motor for supply fan (inside)	TAB3, TAB4: Connector (Reactor)	CN20: Unused
M3: Motor for exhaust fan (inside)	X13: Relay contact	CN22: Connector (Thermistor OA)
M4: Motor for exhaust fan (outside)	X14: Relay contact	CN26: Connector (By-pass, 0 - 10 VDC Fan speed control)
GM: Motor for By-pass damper	X15: Relay contact	CN32: Connector (Remote control selection)
TH1: Thermistor for outside air	CN5: Connector (Thermistor RA)	SA1: Address setting rotary switch (tens digit)
TH2: Thermistor for return air	CN7: Connector (Motor for By-pass damper)	SA2: Address setting rotary switch (ones digit)
SW2,5: Switch (Function selection)	CN9: Connector (Fan motor)	LED1 to LED3: Inspection indicator lamp
TM1: Terminal block (Power supply)	CN10: Connector (Fan motor)	LED4, LED6: Power supply indicator lamp
TM2: Terminal block (External control input)	CN17: Connector (Fan speed 1/2/3/4)	SYMBOL □: Terminal block
TM3: Terminal block (Monitor output)	CN18: Connector	⊗: Connector on PCB
TM4: Terminal block (Transmission cable)	CN118: Connector	
TB5: Terminal block (M-NET Transmission cable)	CN19: Connector	

Installation method (continued)

Wire connection diagram ----- Models LGH-250RVXT-E

- * TM1, TM2, TM3, TM4, TB5 shown in dotted lines are field work.
- * Be sure to connect the ground wire.
- * A power supply isolator must be installed.
- * Always use an isolator for the main switch power connection.
- * Select proper circuit breaker according to the electrical current information in the chart below.

Model	LGH-250RVXT-E	
Maximum current when operating [A]	10.8	
Inrush current after power supply ON [A]	10 ms	21.8
	100 ms	11.9

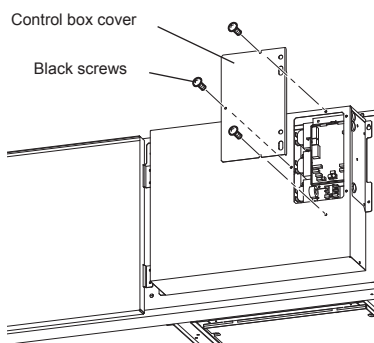


Definition of symbols		
M1: Motor for supply fan (outside)	TAB1, TAB2, TAB5: Connector (Power supply)	CN119: Connector
M2: Motor for supply fan (inside)	TAB3, TAB4: Connector (Reactor)	CN20: Unused
M3: Motor for exhaust fan (inside)	X13: Relay contact	CN21: Connector
M4: Motor for exhaust fan (outside)	X14: Relay contact	CN121: Connector
GM: Motor for By-pass damper	X15: Relay contact	CN22: Connector (Thermistor OA)
TH1: Thermistor for outside air	CN5: Connector (Thermistor RA)	CN26: Connector (By-pass, 0 - 10 VDC Fan speed control)
TH2: Thermistor for return air	CN7: Connector (Motor for By-pass damper)	CN32: Connector (Remote control selection)
SW2, 5: Switch (Function selection)	CN9: Connector (Fan motor)	SA1: Address setting rotary switch (tens digit)
TM1: Terminal block (Power supply)	CN10: Connector (Fan motor)	SA2: Address setting rotary switch (ones digit)
TM2: Terminal block (External control input)	CN17: Connector (Fan speed 1/2/3/4)	LED1 to LED3: Inspection indicator lamp
TM3: Terminal block (Monitor output)	CN18: Connector	LED4, LED6: Power supply indicator lamp
TM4: Terminal block (Transmission cable)	CN118: Connector	SYMBOL ○ □ : Terminal block
TB5: Terminal block (M-NET Transmission cable)	CN19: Connector	Ⓜ : Connector on PCB

Installation method (continued)

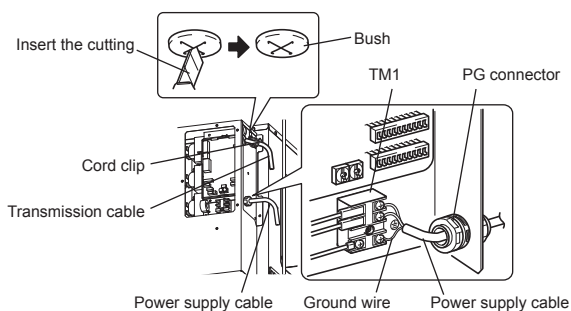
Connecting the power supply cable

1. Remove the black screws and the control box cover



2. Connecting the power supply cable and transmission cable

Pass the Power supply cable through the bush* and connect to the TM1 terminal block using the round terminals. Connect the ground wire to the ground terminal and secure tightening the bush. (* Use an item that can firmly secure the cable such as a PG connector.)



⚠ CAUTION

- Always separate the power supply cable and transmission cable by 5 cm or more to prevent malfunctioning of the unit.
- If the length of the stripped Power supply cable is too long, the conductors may touch and short out.
- Power supply cable size : 1.5 mm² (ø9) or more.

(1) Tighten the ground wire and transmission cables to the terminal block.

(2) Secure the transmission cables using the cord clips.

Upon completion of the wiring connections, replace the control box cover.

The following system configuration can be created. Connect the necessary parts.

- 1 When connecting with remote controller (PZ-61DR-E).
- 2 When interlocked with indoor unit of air conditioner or other external device including other manufactures.
- 3 When operating multiple Lossnay units.
- 4 By-pass monitor or Pre-heater signal output.
- 5 Malfunction monitor output.
- 6 Operation monitor output
- 7 When switching fan speed externally (when a sensor or other device is connected).
- 8 When switching By-pass externally.
- 9 To change fan speed by 0 - 10 VDC input
- 10 When using the remote/local switching and the ON/OFF input (level signal)
- 11 When connecting to the City Multi or Mitsubishi Electric Air-Conditioner Network System (MELANS).
- 12 To start/stop Lossnay stand-alone operation without using the remote control

⚠ CAUTION

- When connecting external devices (electric heater, damper, lamp, monitoring unit, etc.) using output signals of the Lossnay unit, make sure to install safety equipment for the external devices.
(It could cause fire, damage, etc. without safety equipment.)

1 When connecting with remote controller (PZ-61DR-E)

* When controlling Lossnay units with MELANS, connect wires according to 11.

Securely connect the transmission cable from the remote controller to ① and ② of the input terminal block (TM4). (No polarity)

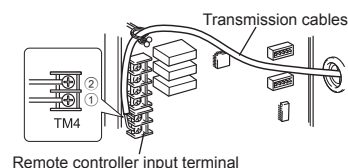
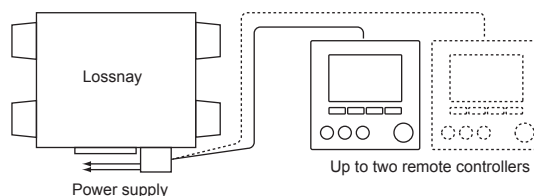
Wire type: two-core sheathed cable

Wire diameter: 0.3 mm²

- If there are two remote controllers, connect them in the same way.
- Keep the overall length of the transmission cable between Lossnay and the remote controller within 200 m.

Note

- Do not tighten screws of terminal block with a torque larger than 0.5 Nm. It could damage the PCB.
- Take care not to connect the power supply cable or M-NET transmission cable.
- Number of transmission cables which can be connected to single input terminal is up to 4 wires.
- Single wires such as PVC wires cannot be connected.

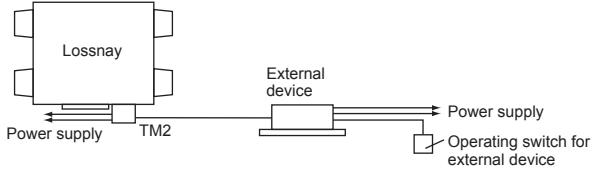


Installation method (continued)

2 When interlocked with indoor unit of air conditioner or other external device including other manufactures

CAUTION

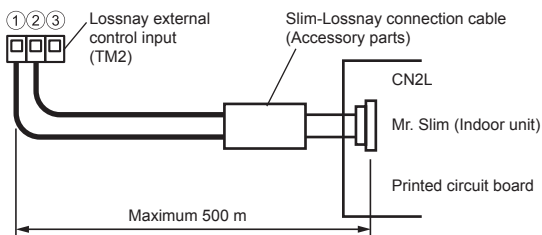
- The connection may vary according to the output signal type of the external unit.
- Don't tighten screws of terminal block with a torque larger than 0.5 Nm. It could damage the PCB.



When using Mitsubishi Mr. Slim air conditioner with MA Remote controller

Confirm that the pulse input switch (SW2-2) is set to "OFF". (Factory setting is "OFF".) (Refer to function settings **No. 28**) Connect the interlocking cable connector side to CN2L on the circuit board for the Mr. Slim indoor unit, then connect the lead wire side to the ① and ② of the input terminal block (TM2) for the Lossnay external controller input. (No polarity)

- Always separate the power supply cable and the Slim-Lossnay connection cable by 5 cm or more to prevent the unit from malfunctioning.
- The Slim-Lossnay connection cable is 100 mm long. When wiring, extend it as far as necessary.



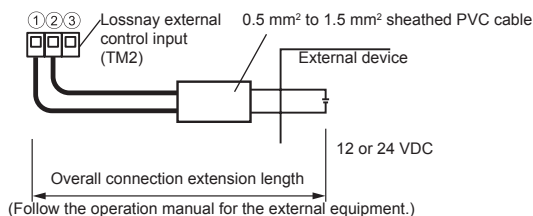
Note

- The Lossnay remote controller (PZ-61DR-E) cannot be used with this system.
 - Use MA remote controller of Mr. Slim for switching Lossnay ON/OFF or the fan speed.
 - The ventilation mode is "automatic ventilation".
 - Ensure that all connections are secure and that the appropriate insulation is provided.
- Use extension cable sheathed PVC cable or cable 0.5 mm² to 1.5 mm².

When the external device has a charged operating signal of 12 VDC or 24 VDC

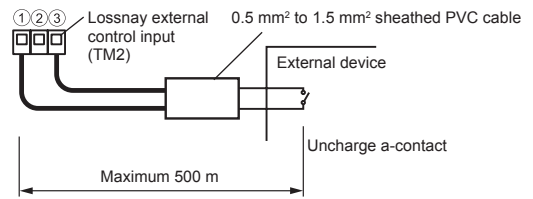
[SW2-2] setting vary depending on the types of output signal of external device.

- Move the pulse input switch [SW2-2] to the ON position. (Refer to function settings **No. 28**)
- When interlocking with a pulse output device, a pulse width is at least 200 m sec. to turn Lossnay ON, and 10 sec. interval is necessary to next output.
- The wiring should be the following picture.



When the external device has an uncharged a-contact signal

- The wiring should be the following picture.

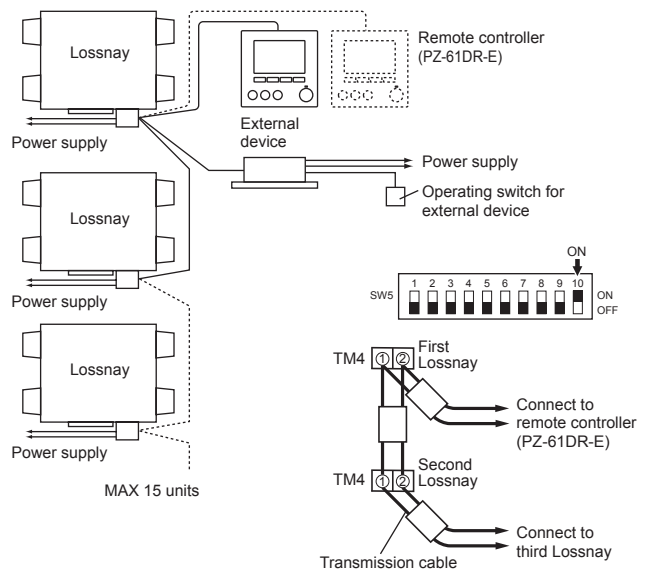


CAUTION

- If an optocoupler or any other type of polar coupler is used at the uncharged a-contact, connect the positive side to ③ and the negative side to ①.

3 When operating multiple Lossnay units

- 1) Connect from Lossnay Unit 1 to Lossnay Unit 2, and from Unit 2 to Unit 3 and so on up to a maximum of 15 units using a transmission cable.
Wire type: two-core sheathed cable
Wire diameter: 0.3 mm²
- 2) When it is interlocked with an external device, turn ON the setting switch (SW5-10) of main Lossnay where the external signal is input.



CAUTION

- Don't tighten screws of terminal block with a torque larger than 0.5 Nm. It could damage the PCB.

Note

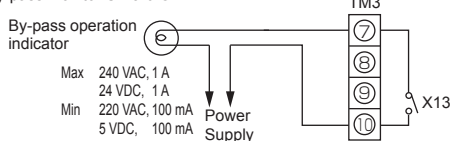
- Up to four transmission cables can be connected to one input terminal.
- Single wires such as PVC wires cannot be connected.
- Only one unit can be set as main Lossnay. The operating signal and pulse signal of the external device can be connected to main Lossnay only.
- When the external signal is not input, main-unit setting is not required even for operation of multiple units.
- Connect the power supply cable to each Lossnay unit.

Installation method (continued)

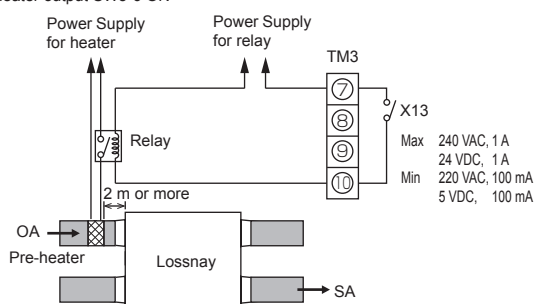
4 By-pass monitor or Pre-heater signal output.

By-pass monitor or Pre-heater signal can be selected at SW5-6. (Refer to function settings **No. 58**)
Always check that it is the intended setting.

By-pass operation SW5-6 OFF



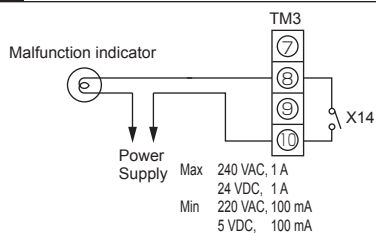
Pre-heater output SW5-6 ON



CAUTION

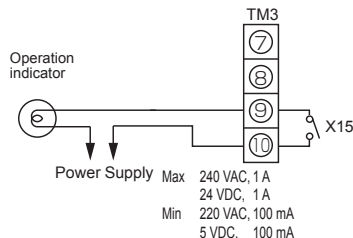
- Select a duct heater in compliance with local and national laws, ordinances, and standards. Select a duct heater that has obtained the CE mark.
- Always select a heater that is equipped with a non-self-resetting safety device. Do not directly supply power from the Lossnay unit to the duct heater. (Doing so could cause fire.)
- Install a circuit breaker for the duct heater in compliance with all applicable laws, ordinances, and standards.
- Install the duct heater separated from the product by a distance of 2 m or more. (Failure to do so may result in equipment damage due to the transmission of residual heat from the heater.)
- When using a heater without a temperature control function, select a heater with a capacity that is matched to the air volume.
- Do not use the heater outside the set air volume. (If the heater's capacity is too larger, this may result in the heater frequently turning ON/OFF.) (If the heater's capacity is too small, this may result in an inability to heat.)
- Ensure that the duct heater and Lossnay are wired and that the Lossnay function settings have been configured, and then always check operation by trial operation.
- For the duct heater output, see function setting SW5-6.

5 Malfunction monitor output.

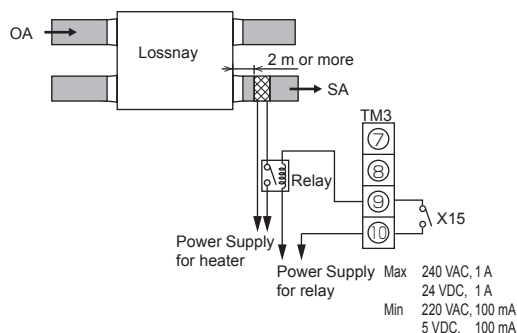


6 Operation monitor output

Operation monitor output can be selected to sympathize with exhaust fan or supply fan at SW 5-2.
SW5-2 OFF: Exhaust fan operation monitor output
SW5-2 ON: Supply fan operation monitor output (Refer to function settings **No. 57**)
Always check that it is the intended setting.



To use operation monitor output for a supply after-heater, turn SW2-8 ON, and use the supply fan operation monitor output with delayed operation. (Refer to function settings **No. 57**)
For the heater, observe the cautions listed in **4**.

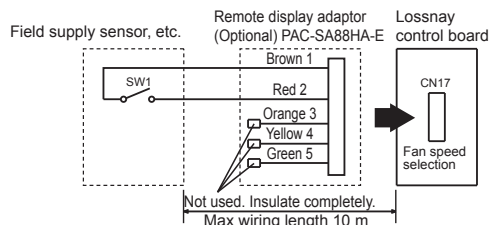


7 When switching fan speed externally (when a sensor or other equipment is connected)

Using a field supply sensor, etc., make connection by inserting the optional remote display adaptor (PAC-SA88HA-E) in the connector CN17 (Red) as shown by the figure.
Lossnay will operate the fan speed following the table below, regardless of the remote controller setting.

CN17 (Red)	Fan speed
1-2 (Brown-Red)	4
1-3 (Brown-Orange)	3
1-4 (Brown-Yellow)	2
1-5 (Brown-Green)	1

Example "Fan speed 4"

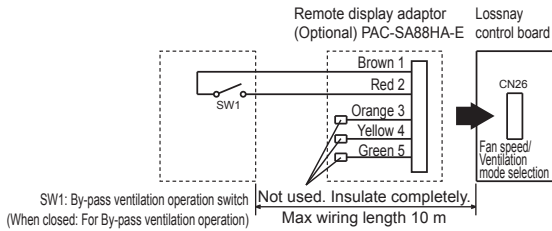


Use this in such a way that it ventilates at low fan speed normally, and when the external sensor detects contamination of indoor air, it changes to high fan speed operation.

Installation method (continued)

8 When switching By-pass externally.

Establish the wire connection by inserting the optional remote display adaptor (PAC-SA88HA-E) in the connector CN26 (White).

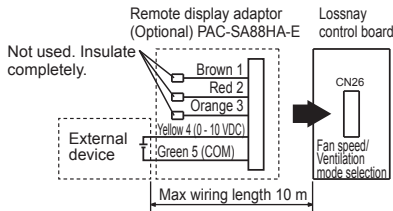


With SW1 is "ON", the ventilation mode of Lossnay is changed to the By-pass ventilation regardless of the setting on the remote controller.

* When the outdoor air temperature drops lower than 8°C, it changes to the heat exchanger ventilation. (Display of the remote controller does not change.)

9 To change fan speed by 0 - 10 VDC input

Establish the wire connection by inserting the optional remote display adaptor (PAC-SA88HA-E) in the connector CN26 (White).



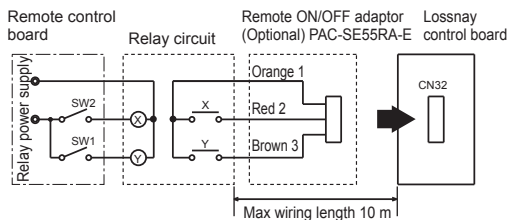
To change fan speed by 0 - 10 VDC input, the wiring should be the above picture. Refer to function settings **No. 63** for more details.

CAUTION

- Make sure of correct polarity.

10 When using the remote/local switching and the ON/OFF input (level signal)

Insert the optional remote ON/OFF adaptor (PAC-SE55RA-E) in CN32 on the Lossnay control PCB.



SW1: When this is ON, Lossnay cannot turn ON/OFF by the Remote Controller (PZ-61DR-E).

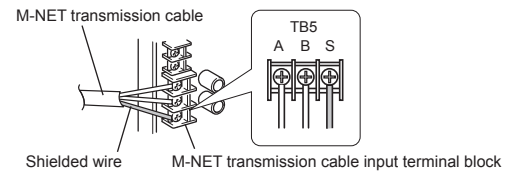
SW2: When SW1 is ON, Lossnay can be turned ON by setting SW2 at ON or turned OFF by setting SW2 at OFF.

SW1: Remote/local selector switch

SW2: ON/OFF switch

X, Y : Relay (Contactor rating DC 1 mA)

11 When connecting to the City Multi, Mitsubishi Electric Air-Conditioner Network System (MELANS)



- One shielded wire is connected to terminal TB5 (S) on the PCB. Address setting is required. (Refer to function setting section.)
M-NET transmission cable: Connect any of the City Multi indoor unit, or Mitsubishi Electric Air-Conditioner Network System (MELANS) - to the Lossnay.

- Remote Controller

PZ-61DR-E:

Connect to TM4 (1, 2) on the PCB. (See Section 1 "When connecting with Remote Controller (PZ-61DR-E)".)

- Securely connect the M-NET transmission cables to TB5 (A, B). (No-Polar)

Type: (Shielded wire, CVVS/CPEVS)

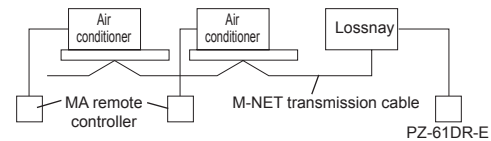
Wire diameter: 1.25 mm² to 2.0 mm²

CAUTION

- Don't tighten screws on the terminal block with a torque larger than 0.5 Nm. It may damage the PCB.
- Always use shielded wires only for the M-NET transmission cables, and finish the shield properly.

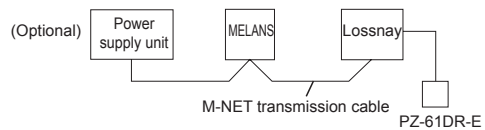
When interlocking with Mitsubishi M-NET air conditioner

- In case of PZ-61DR-E



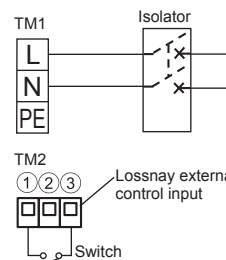
When connecting to PZ-61DR-E and MELANS

- Connect the power feeding unit.



- * Limit the total length of transmission cables no longer than 500 m. Limit the wiring length between Lossnay and the power supply unit (Optional) or the outdoor unit no longer than 200 m.

12 To start/stop Lossnay stand-alone operation without using the remote control



Start/stop the unit by a switch connected to TM2 (1, 3).

When turned the unit ON, it operates at fan speed 4 and automatic ventilation mode.

Do not start/stop the unit by turning the power supply to the unit ON/OFF.

Function settings

Address setting is required when connecting to City Multi and MELANS.

Setting the address

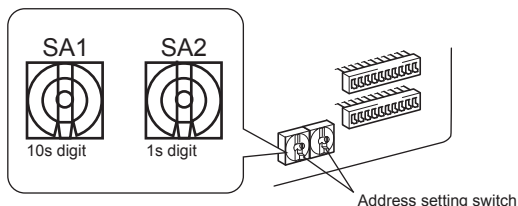
Use the following procedure when setting the address for dedicated Lossnay.

(The method in determining the addresses will depend on the existing system. Refer to the appropriate technical documents for details.)

(1) Remove the control box cover.

(2) Use a flat blade screwdriver to turn the address setting switch on the circuit board.

- SA1 indicates the tens digit and SA2 indicates the ones digit.
- The factory setting is "00".



- * When the address number has been changed, the data in the memory is automatically reset.

Changing the function selection switches (SW-2, 5 and 6)

Set the selection switches (SW-2 and 5) to perform the appropriate function.

- * All function except "Trial operation" and "Main unit setting" can be set also from the remote controller (PZ-61DR-E). If the function is switched later using the remote controller, it operates according to the setting on the remote controller.

(SW2)		
	OFF	ON
1	<input type="checkbox"/>	Trial operation
2	<input type="checkbox"/>	No. 28 Pulse input setting
3	<input type="checkbox"/>	No. 63 External fan speed input setting (0 - 10 VDC)
4	<input type="checkbox"/>	No. 6 Indoor negative pressure setting
5	<input type="checkbox"/>	No. 7 Indoor positive pressure setting
6	<input type="checkbox"/>	No. 63 External fan speed input setting (0 - 10 VDC)
7	<input type="checkbox"/>	No. 51 Automatic ventilation mode setting
8	<input type="checkbox"/>	No. 57 Operation monitor output synchronized with exhaust fan or supply fan
9	<input type="checkbox"/>	No. 61 Fan speed for air volume "High" input
10	<input type="checkbox"/>	No. 62 Fan speed for air volume "Low" input

(SW5)		
	OFF	ON
1	<input type="checkbox"/>	No. 9 Delay start setting for air conditioner starting
2	<input type="checkbox"/>	No. 57 Operation monitor output synchronized with exhaust fan or supply fan
3	<input type="checkbox"/>	No. 13, No. 14 Exhaust fan setting
4	<input type="checkbox"/>	No. 5 Automatic recovery setting after power interruption
5	<input type="checkbox"/>	No. 1 Filter maintenance and fan power up setting against filter choking
6	<input type="checkbox"/>	No. 58 By-pass monitor output or Pre-heater output setting
7	<input type="checkbox"/>	No. 15 Interlock mode setting
8	<input type="checkbox"/>	No. 15 Interlock mode setting
9	<input type="checkbox"/>	No. 14 Exhaust fan setting at OA temperature lower than -15°C
10	<input type="checkbox"/>	Main unit setting (refer to page 10)

Change the function settings from the remote controller PZ-61DR-E.

Please refer to the Instruction book of PZ-61DR-E for how to set the function settings.

DIP-SW 6 is to identify the model for PCB. When replacing to new PCB, set the same setting as old one.

(SW6)

	SW6-1	SW6-2	SW6-3	SW6-4
LGH-150RVXT-E	OFF	ON	OFF	ON
LGH-200RVXT-E	ON	ON	OFF	ON
LGH-250RVXT-E	OFF	OFF	ON	ON

- * Do not change from factory setting. If changed, please set as factory setting.

Function settings (continued)

No	Function	Setting Data								Factory setting	DIP-SW No.
		0	1	2	3	4	5	6	7		
*1	Filter maintenance and fan power up setting against filter choking	Dip-SW priority	Indicator available Fan power up N/A	Indicator N/A Fan power up N/A	Indicator available Fan power up available	-	-	-	-	0	5-5
2	Lossnay core maintenance indicator setting	N/A	Available	-	-	-	-	-	-	0	N/A
5	Automatic recovery setting after power interruption	Dip-SW priority	Stop when the power is On	Start when the power is On	Return to the state before interruption	-	-	-	-	0	5-4
6	Indoor negative pressure setting	Dip-SW priority	N/A	Supply 1 down	Supply 2 down	-	-	-	-	0	2-4
7	Indoor positive pressure setting	Dip-SW priority	N/A	Exhaust 1 down	Exhaust 2 down	-	-	-	-	0	2-5
8	Max. fan speed setting during the first 30 minutes	N/A	Available	-	-	-	-	-	-	0	N/A
9	Delay start setting for air conditioner starting	Dip-SW priority	N/A	15 min	30 min	-	-	-	-	0	5-1
13	Exhaust fan setting during air conditioner defrosting	Dip-SW priority	Stop	No change	-	-	-	-	-	0	5-3
14	Exhaust fan setting at OA temperature lower than -15 °C	Dip-SW priority	Stop	Fan speed 1 or 2	No change	-	-	-	-	0	5-3 5-9
15	Interlock mode setting	Dip-SW priority	ON/OFF interlock	ON interlock	OFF interlock	External input given priority	-	-	-	0	5-7 5-8
28	Pulse input setting	Dip-SW priority	Non-pulse input	Pulse input	-	-	-	-	-	0	2-2
*30	Night-purge setting 1) Air volume	N/A	Fan speed 1	Fan speed 2	Fan speed 3	Fan speed 4	-	-	-	0	N/A
*31	Night-purge setting 2) Outdoor and indoor temperature gap	0 °C	1 °C	2 °C	3 °C	4 °C	5 °C	6 °C	7 °C	5	N/A
*32	Night-purge setting 3) Threshold of outdoor temperature	Setting Data 0 to 15 --> The lowest outdoor temperature for Night-purge 15 °C to 30 °C								2	N/A
*33	Night-purge setting 4) Time span for memorizing	24 hrs	48 hrs	72 hrs	-	-	-	-	-	0	N/A
*34	Input priority setting	Main unit input priority	Individual input priority	-	-	-	-	-	-	0	N/A
36	Outdoor temperature display setting	N/A	Available	-	-	-	-	-	-	0	N/A
37	Indoor temperature display setting	N/A	Available	-	-	-	-	-	-	0	N/A
38	Calculated supply air temperature display setting	N/A	Available	-	-	-	-	-	-	0	N/A
39	Temperature exchange efficiency setting (10 digit)	Setting Data 0 to 9 --> 10 digit of temperature exchange efficiency 0 to 9								7	N/A
40	Temperature exchange efficiency setting (1 digit)	Setting Data 0 to 9 --> 1 digit of temperature exchange efficiency 0 to 9								0	N/A
*41	Outdoor temperature correction	Setting Data 0 to 14 --> Outdoor temperature correction -7 °C to 7 °C								7	N/A
*42	Indoor temperature correction	Setting Data 0 to 14 --> Room temperature correction -7 °C to 7 °C								7	N/A
*51	Automatic ventilation mode setting	Dip-SW priority	Pattern A	Pattern B	Free setting	-	-	-	-	0	2-7
*52	Automatic ventilation mode setting 1) Outdoor and indoor temperature gap	Setting Data 0 to 7 --> Temperature gap 0 °C to 7 °C								0	N/A
*53	Automatic ventilation mode setting 2) The lowest outdoor temperature setting	Setting Data 0 to 15 --> Lowest outdoor temperature 10 °C to 25 °C								6	N/A
*54	Automatic ventilation mode setting 3) The lowest indoor temperature setting	Setting Data 0 to 15 --> Lowest indoor temperature 15 °C to 30 °C								1	N/A
*55	Supply fan power up setting	N/A	1 level up	2 level up	3 level up	4 level up	-	-	-	0	N/A
*56	Exhaust fan power up setting	N/A	1 level up	2 level up	3 level up	4 level up	-	-	-	0	N/A
57	Operation monitor output synchronized with exhaust fan or supply fan	Dip-SW priority	EA fan monitor output	SA fan monitor output	SA fan monitor with delay operation	-	-	-	-	0	2-8 5-2
58	By-pass monitor output or Pre-heater output setting	Dip-SW priority	By-pass monitor output	Operation monitor output for Pre-heater	-	-	-	-	-	0	5-6
*59	Pre-heater setting 1) ON temperature	0 °C	-1 °C	-2 °C	-3 °C	-4 °C	-5 °C	-6 °C	-7 °C	0	N/A
*60	Pre-heater setting 2) OFF interval	1 hr	2 hrs	3 hrs	4 hrs	5 hrs	-	-	-	0	N/A
*61	Fan speed for air volume "High" input	Dip-SW priority	Fan speed 4	Fan speed 3	-	-	-	-	-	0	2-9
*62	Fan speed for air volume "Low" input	Dip-SW priority	Fan speed 2	Fan speed 1	-	-	-	-	-	0	2-10
*63	External fan speed input setting (0 - 10 VDC)	Dip-SW priority	N/A	Pattern X	Pattern Y	Pattern Z	-	-	-	0	2-3 2-6
100	Initialization	-	Initialize	-	-	-	-	-	-	0	N/A

This table shows the summary of function settings. Please refer to the following pages for more details.

The functions indicated with * are newly added or modified from Lossnay LGH-RX₅-E series.

The functions indicated with "N/A" in the "DIP-SW No." column are available only when using with remote controller PZ-61DR-E.

Function settings (continued)

No. 1 Filter maintenance and fan power up setting against filter choking

Set the schedule for filter cleaning based on the estimated concentration of dust in the air. When fan power up is available, exhaust and supply fans power up at 1,000 hrs and 2,000 hrs gradually.

If function No. 55 or No. 56 is already worked, fan power up function may not be available.

Estimated hour differs by actual operated fan speed.

DIP-SW		Setting check	PZ-61DR-E		Setting check	Filter maintenance indicator	Fan power UP
SW No.	Setting		Function No.	Setting Data			
SW5-5	-	-	1	0 (Factory setting)		DIP-SW priority	
	-	-		1		Indicate at estimated 3,000 hrs	N/A
	OFF (Factory setting)			2		N/A	N/A
	ON			3		Indicate at estimated 3,000 hrs	Available

⚠ CAUTION

- When the setting for the cumulative operation time of the Lossnay is exceeded, the filter cleaning icon will appear on the indoor unit remote controller or the Lossnay remote controller. After cleaning the filter, the filter cleaning icon can be reset. Refer to the Instruction book for the remote controller.

No. 2 Lossnay core maintenance indicator setting

Set to enable Lossnay core maintenance display. Estimated hour differs by actual operated fan speed.

This function is N/A from Lossnay unit DIP-SW.

DIP-SW		Setting check	PZ-61DR-E		Setting check	Lossnay core maintenance indicator
SW No.	Setting		Function No.	Setting Data		
N/A	-	-	2	0 (Factory setting)		N/A
	-	-		1		Indicate at estimated 6,000 hrs

No. 5 Automatic recovery setting after power interruption

Sets for automatic recovery following power interruption.

DIP-SW		Setting check	PZ-61DR-E		Setting check	Automatic recovery
SW No.	Setting		Function No.	Setting Data		
SW5-4	-	-	5	0 (Factory setting)		DIP-SW priority
	OFF (Factory setting)			1		Stop when the power is on
	-	-		2		Start when the power is on
	ON			3		Lossnay returns to the state before interruption

No. 6 Indoor negative pressure setting

Exhaust fan speed becomes bigger than supply fan speed. Remote controller indicates fan speed of exhaust fan.

Fan speed Display	Exhaust fan	Supply fan	
		1 down	2 down
4	4	3	2
3	3	2	1
2	2	1	1
1	1	1	1

DIP-SW		Setting check	PZ-61DR-E		Setting check	Down level of supply fan speed
SW No.	Setting		Function No.	Setting Data		
SW2-4	-	-	6	0 (Factory setting)		DIP-SW priority
	OFF (Factory setting)			1		N/A
	ON			2		Supply fan speed is 1 down to exhaust fan speed
	-	-		3		Supply fan speed is 2 down to exhaust fan speed

No. 7 Indoor positive pressure setting

Supply fan speed becomes bigger than exhaust fan speed.

Remote controller indicates fan speed of supply fan.

Fan speed Display	Supply fan	Exhaust fan	
		1 down	2 down
4	4	3	2
3	3	2	1
2	2	1	1
1	1	1	1


DIP-SW		Setting check	PZ-61DR-E		Setting check	Down level of exhaust fan speed
SW No.	Setting		Function No.	Setting Data		
SW2-5	-	-	7	0 (Factory setting)		DIP-SW priority
	OFF (Factory setting)			1		N/A
	ON			2		Exhaust fan speed is 1 down to supply fan speed
	-	-		3		Exhaust fan speed is 2 down to supply fan speed

No. 8 Max. fan speed setting during the first 30 minutes

This sets the fan to run forcibly for 30 minutes when operation starts to ventilate the indoor area. After 30 minutes, fan speed can be changed.

Use this setting if the indoor air is contaminated at night when the system is shut down and you desire to ventilate the indoor area quickly when operation is started in the morning.

This function is N/A from Lossnay unit DIP-SW.

During this function is working,  is displayed at PZ-61DR-E and selected fan speed is displayed.

DIP-SW		Setting check	PZ-61DR-E		Setting check	Max. fan speed setting during the first 30 minutes
SW No.	Setting		Function No.	Setting Data		
N/A	-	-	8	0 (Factory setting)		N/A
	-	-		1		Available

No. 9 Delay start setting for air conditioner starting

Delays Lossnay operation for 30 minutes when City Multi or Mr. Slim starts operating or when an external device starts operating.

This function is available only when Lossnay is interlocked with air conditioners. This function is N/A during Night-purge.

DIP-SW		Setting check	PZ-61DR-E		Setting check	Lossnay delay start
SW No.	Setting		Function No.	Setting Data		
SW5-1	-	-	9	0 (Factory setting)		DIP-SW priority
	OFF (Factory setting)			1		N/A
	-	-		2		15 min
	ON			3		30 min

No. 13 Exhaust fan setting during air conditioner defrosting

This function can be used under the condition Lossnay supply duct is connected to Mr. Slim or City Multi indoor unit.

Sets the operation of the exhaust fan during defrosting of the air conditioner (when supply fan stop).

To enable this function, it is necessary to set the DIP-SW of the indoor unit also. Please refer to its manual.

DIP-SW		Setting check	PZ-61DR-E		Setting check	Exhaust fan operation during air conditioner defrosting
SW No.	Setting		Function No.	Setting Data		
SW5-3	-	-	13	0 (Factory setting)		DIP-SW priority
	ON			1		Stop
	OFF (Factory setting)			2		No change

Function settings (continued)

No.14 Exhaust fan setting at OA temperature lower than -15 °C

Sets the operation of the exhaust fan when the outdoor air is lower than -15 °C (when supply fan stop).

DIP-SW		Setting check	PZ-61DR-E		Setting check	Exhaust fan operation at outdoor temp. -15 °C or less
SW No.	Setting		Function No.	Setting Data		
SW5-3 SW5-9	-	-	14	0 (Factory setting)		DIP-SW priority
	5-3 OFF 5-9 ON			1		Stop
	5-3 ON 5-9 OFF			2		Forced to fan speed 2 or less*
	5-3 OFF 5-9 OFF (Factory setting)			3		No change
	5-3 ON 5-9 ON					

* In case Lossnay is operating fan speed 1, exhaust fan keeps fan speed 1. Function **No. 13** and **No. 14** are included in DIP-SW 5-3, then it is impossible to set independently without PZ-61DR-E.

No.15 Interlock mode setting

These settings indicate how Lossnay should operate when external devices are started or stopped.

DIP-SW		Setting check	PZ-61DR-E		Setting check	Interlock setting
SW No.	Setting		Function No.	Setting Data		
SW5-7 SW5-8	-	-	15	0 (Factory setting)		DIP-SW priority
	5-7 OFF 5-8 OFF (Factory setting)			1		The Lossnay will start and stop according to the operation of the external devices. Subsequent operation will be possible using the remote controller for the Lossnay or MELANS.
	5-7 ON 5-8 OFF			2		The Lossnay will start whenever external devices are operated. Lossnay stop operation will be possible using its remote controller or MELANS.
	5-7 OFF 5-8 ON			3		The Lossnay will stop whenever external devices are stopped. Lossnay start operation will be possible using its remote controller or MELANS.
	5-7 ON 5-8 ON			4		The Lossnay will start and stop according to the operation of the external devices. Control via the Lossnay remote controller or MELANS will only be possible when external devices are stopped.

No.28 Pulse input setting

Set external input signal type from external device for TM2.

DIP-SW		Setting check	PZ-61DR-E		Setting check	Pulse input setting
SW No.	Setting		Function No.	Setting Data		
SW2-2	-	-	28	0 (Factory setting)		DIP-SW priority
	OFF (Factory setting)			1		NOT pulse input
	ON			2		Pulse input

No.30 Night-purge setting 1) Air volume

Set fan speed during Night-purge. To use Night-purge function, it is necessary to set **No. 30**, **No. 31**, **No. 32** correctly. This function is N/A from Lossnay unit DIP-SW.

DIP-SW		Setting check	PZ-61DR-E		Setting check	Night-purge setting 1) Air volume
SW No.	Setting		Function No.	Setting Data		
N/A	-	-	30	0 (Factory setting)		N/A (Night-purge function is not available)
	-	-		1		Fan speed 1
	-	-		2		Fan speed 2
	-	-		3		Fan speed 3
	-	-		4		Fan speed 4

No.31 Night-purge setting 2) Outdoor and indoor temperature gap

Set one of conditions for Night-purge start, temperature gap between indoor and outdoor.

When the actual gap between indoor and outdoor becomes bigger than the setting, Night-purge starts.

This function is N/A from Lossnay unit DIP-SW.

DIP-SW		Setting check	PZ-61DR-E		Setting check	Indoor temperature - outdoor temperature
SW No.	Setting		Function No.	Setting Data		
N/A	-	-	31	0		0 °C or more
	-	-		1		1 °C or more
	-	-		2		2 °C or more
	-	-		3		3 °C or more
	-	-		4		4 °C or more
	-	-		5 (Factory setting)		5 °C or more
	-	-		6		6 °C or more
	-	-		7		7 °C or more

No.32 Night-purge setting 3) Threshold of outdoor temperature

Set one of conditions for Night-purge start, maximum outdoor temperature within the last setting hours at function **No.33**. When this setting temperature is low, it is likely to start Night-purge. This function is N/A from Lossnay unit DIP-SW.

DIP-SW		Setting check	PZ-61DR-E		Setting check	The maximum outdoor temp. within the last setting hours at function No.33
SW No.	Setting		Function No.	Setting Data		
N/A	-	-	32	0		15 °C or more
	-	-		1		16 °C or more
	-	-		2 (Factory setting)		17 °C or more
	-	-		3		18 °C or more
	-	-		4		19 °C or more
	-	-		5		20 °C or more
	-	-		6		21 °C or more
	-	-		7		22 °C or more
	-	-		8		23 °C or more
	-	-		9		24 °C or more
	-	-		10		25 °C or more
	-	-		11		26 °C or more
	-	-		12		27 °C or more
	-	-		13		28 °C or more
	-	-		14		29 °C or more
-	-	15		30 °C or more		

Function settings (continued)

No.33 Night-purge setting 4) Time span for memorizing

Set one of conditions for Night-purge start, time span for memorizing the threshold of outdoor temperature.

For example;

If Lossnay unit operates everyday, please set "24 hrs (factory setting)".

If Lossnay unit stops during weekend, please set "72 hrs" so that Lossnay can start Night-purge in the Monday morning.

This function is N/A from Lossnay unit DIP-SW.

DIP-SW		Setting check	PZ-61DR-E		Setting check	Time span for memorizing
SW No.	Setting		Function No.	Setting Data		
N/A	-	-	33	0 (Factory setting)		24 hrs
	-	-		1		48 hrs
	-	-		2		72 hrs

No.34 Input priority setting

Set to follow input to the main unit from air conditioner, fan speed controller, etc.

This function is N/A from Lossnay unit DIP-SW.

DIP-SW		Setting check	PZ-61DR-E		Setting check	Input priority setting
SW No.	Setting		Function No.	Setting Data		
N/A	-	-	34	0 (Factory setting)		Main unit input priority
	-	-		1		Individual input priority
	-	-				

No.36 Outdoor temperature display setting

Set to display outdoor temperature detected by Lossnay unit thermistor or not.

This function is N/A from Lossnay unit DIP-SW.

DIP-SW		Setting check	PZ-61DR-E		Setting check	Outdoor temperature display
SW No.	Setting		Function No.	Setting Data		
N/A	-	-	36	0 (Factory setting)		N/A
	-	-		1		Display on the screen of PZ-61DR-E
	-	-				

No.37 Indoor temperature display setting

Set to display indoor temperature detected by Lossnay unit thermistor or not.

This function is N/A from Lossnay unit DIP-SW.

DIP-SW		Setting check	PZ-61DR-E		Setting check	Indoor temperature display
SW No.	Setting		Function No.	Setting Data		
N/A	-	-	37	0 (Factory setting)		N/A
	-	-		1		Display on the screen of PZ-61DR-E
	-	-				

No.38 Calculated supply air temperature display setting

Set to display calculated supply air temperature or not.

This function is N/A from Lossnay unit DIP-SW.

DIP-SW		Setting check	PZ-61DR-E		Setting check	Calculated supply temperature display
SW No.	Setting		Function No.	Setting Data		
N/A	-	-	38	0 (Factory setting)		N/A
	-	-		1		Display on the screen of PZ-61DR-E
	-	-				

No.39, 40 Temperature exchange efficiency setting

Set the 10 digit of temperature exchange efficiency which is used to calculate supply air temperature.

This function is N/A from Lossnay unit DIP-SW.

DIP-SW		Setting check	PZ-61DR-E		Setting check	10 digit of temperature exchange efficiency
SW No.	Setting		Function No.	Setting Data		
N/A	-	-	39	0		0
	-	-		1		1
	-	-		2		2
	-	-		3		3
	-	-		4		4
	-	-		5		5
	-	-		6		6
	-	-		7 (Factory setting)		7
	-	-		8		8
	-	-		9		9

DIP-SW		Setting check	PZ-61DR-E		Setting check	1 digit of temperature exchange efficiency
SW No.	Setting		Function No.	Setting Data		
N/A	-	-	40	0 (Factory setting)		0
	-	-		1		1
	-	-		2		2
	-	-		3		3
	-	-		4		4
	-	-		5		5
	-	-		6		6
	-	-		7		7
	-	-		8		8
	-	-		9		9

No.41 Outdoor temperature correction

Set the correction for the outdoor temperature displayed on the PZ-61DR-E screen by function [No. 36](#).

This function is N/A from Lossnay unit DIP-SW.

DIP-SW		Setting check	PZ-61DR-E		Setting check	The correction to thermistor detection
SW No.	Setting		Function No.	Setting Data		
N/A	-	-	41	0		-7 °C
	-	-		1		-6 °C
	-	-		2		-5 °C
	-	-		3		-4 °C
	-	-		4		-3 °C
	-	-		5		-2 °C
	-	-		6		-1 °C
	-	-		7 (Factory setting)		0 °C
	-	-		8		+1 °C
	-	-		9		+2 °C
	-	-		10		+3 °C
	-	-		11		+4 °C
	-	-		12		+5 °C
	-	-		13		+6 °C
	-	-		14		+7 °C

Function settings (continued)

No.42 Indoor temperature correction

Set the correction for the indoor temperature displayed on the PZ-61DR-E screen by function **No. 37**.
This function is N/A from Lossnay unit DIP-SW.

DIP-SW		Setting check	PZ-61DR-E		Setting check	The correction to thermistor detection
SW No.	Setting		Function No.	Setting Data		
N/A	-	-	42	0	-7 °C	
	-	-		1	-6 °C	
	-	-		2	-5 °C	
	-	-		3	-4 °C	
	-	-		4	-3 °C	
	-	-		5	-2 °C	
	-	-		6	-1 °C	
	-	-		7 (Factory setting)	0 °C	
	-	-		8	+1 °C	
	-	-		9	+2 °C	
	-	-		10	+3 °C	
	-	-		11	+4 °C	
	-	-		12	+5 °C	
	-	-		13	+6 °C	
-	-	14	+7 °C			

No.51 Automatic ventilation mode setting

Set the pattern of conditions to go into By-pass mode in automatic ventilation operation.
When setting Data is set "3" by PZ-61DR-E, function **No. 52**, **No. 53**, and **No. 54** are available.

DIP-SW		Setting check	PZ-61DR-E		Setting check	Conditions to go into By-pass mode
SW No.	Setting		Function No.	Setting Data		
SW2-7	-	-	51	0 (Factory setting)		DIP-SW priority
	OFF (Factory setting)			1		Pattern A Indoor temperature is 16 °C or more Outdoor temperature is 16 °C or more Indoor temperature - outdoor temperature ≥ 0 °C
	ON			2		Pattern B Indoor temperature is 22 °C or more Outdoor temperature is 18 °C or more Indoor temperature - outdoor temperature ≥ 2 °C
	-	-		3		Free setting

* Pattern A is more likely to become By-pass mode than pattern B.

Note;

The ventilation mode follows the table below.

Remote controller	Interlocked air conditioner (Mr. Slim or City Multi)	Lossnay
Energy recovery ventilation mode	Either Yes or No	Energy recovery ventilation mode
By-pass ventilation mode		By-pass ventilation mode
Automatic	Cooling/Stop	Automatic (Follows the map)
	Other than above	Always energy recovery ventilation mode

No.52 Automatic ventilation mode setting 1) Outdoor and indoor temperature gap

Set one of conditions for By-pass mode in auto ventilation operation, temperature gap between indoor and outdoor.
This function is N/A from Lossnay unit DIP-SW.
This function is available when setting Data 3 is selected at function **No. 51**.

DIP-SW		Setting check	PZ-61DR-E		Setting check	Indoor temperature - outdoor temperature
SW No.	Setting		Function No.	Setting Data		
N/A	-	-	52	0 (Factory setting)		0 °C or more
	-	-		1		1 °C or more
	-	-		2		2 °C or more
	-	-		3		3 °C or more
	-	-		4		4 °C or more
	-	-		5		5 °C or more
	-	-		6		6 °C or more
-	-	7		7 °C or more		

No.53 Automatic ventilation mode setting 2) The lowest outdoor temperature

Set one of conditions for By-pass mode in auto ventilation operation, minimum outdoor temperature which comes in indoor directly.
This function is N/A from Lossnay unit DIP-SW.
This function is available when setting Data 3 is selected at function **No. 51**.

DIP-SW		Setting check	PZ-61DR-E		Setting check	Outdoor temperature
SW No.	Setting		Function No.	Setting Data		
N/A	-	-	53	0		10 °C or more
	-	-		1		11 °C or more
	-	-		2		12 °C or more
	-	-		3		13 °C or more
	-	-		4		14 °C or more
	-	-		5		15 °C or more
	-	-		6 (Factory setting)		16 °C or more
	-	-		7		17 °C or more
	-	-		8		18 °C or more
	-	-		9		19 °C or more
	-	-		10		20 °C or more
	-	-		11		21 °C or more
	-	-		12		22 °C or more
	-	-		13		23 °C or more
	-	-		14		24 °C or more
-	-	15		25 °C or more		

Function settings (continued)

No.54 Automatic ventilation mode setting 3) The lowest indoor temperature setting

Set one of conditions for By-pass mode in auto ventilation operation, minimum indoor temperature.

This function is N/A from Lossnay unit DIP-SW.

This function is available when setting Data 3 is selected at function No. 51.

When Lossnay is interlocked to Mr. Slim or City Multi indoor unit, the target temperature of the indoor unit is the lowest indoor temperature for By-pass mode

DIP-SW		Setting check	PZ-61DR-E		Setting check	Indoor temperature	
SW No.	Setting		Function No.	Setting Data			
N/A	-	-	54	0		15 °C or more	
	-	-		1	(Factory setting)		16 °C or more
	-	-		2			17 °C or more
	-	-		3			18 °C or more
	-	-		4			19 °C or more
	-	-		5			20 °C or more
	-	-		6			21 °C or more
	-	-		7			22 °C or more
	-	-		8			23 °C or more
	-	-		9			24 °C or more
	-	-		10			25 °C or more
	-	-		11			26 °C or more
	-	-		12			27 °C or more
	-	-		13			28 °C or more
	-	-		14			29 °C or more
-	-	15			30 °C or more		

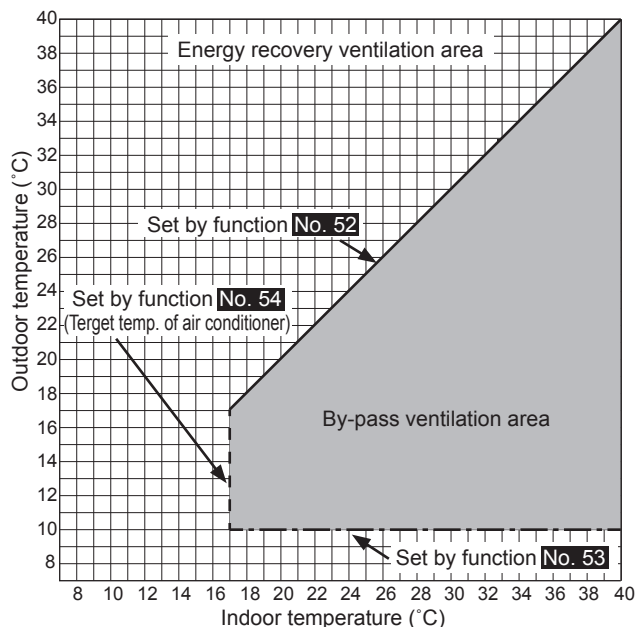
Free By-pass setting

User can set conditions to go into By-pass mode in automatic ventilation mode by function No. 52, No. 53 and No. 54.

Setting examples are shown below.

Example 1*

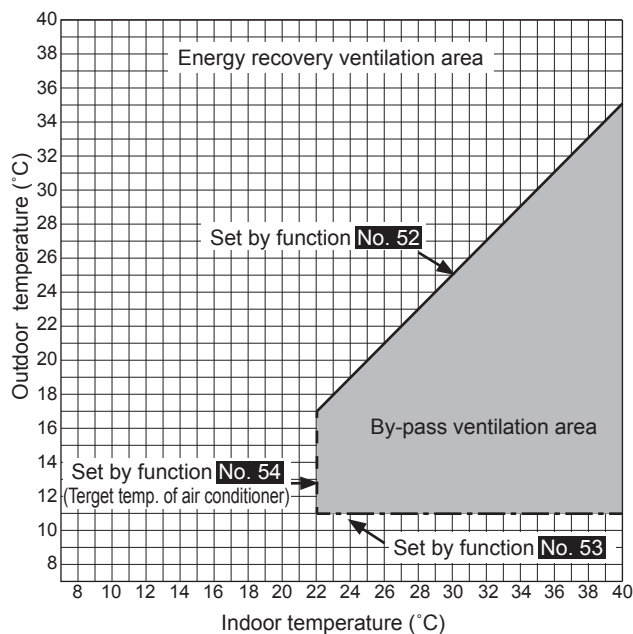
By-pass/Energy recovery ventilation map in automatic ventilation mode



Function No.	Setting Data
52	0 (0 °C)
53	0 (10 °C)
54	2 (17 °C)

Example 2

By-pass/Energy recovery ventilation map in automatic ventilation mode



Function No.	Setting Data
52	5 (5 °C)
53	1 (11 °C)
54	7 (22 °C)

When the setting of Function No. 53 is low, with using the pre-heater function, the outdoor temperature may be detected as higher and the mode may change to By-pass mode even in winter. Set the setting 16 °C or more, or use energy recovery ventilation mode.

No.55, 56 Supply fan power up setting Exhaust fan power up setting

Use these functions when the air volume is needed to be up after installation.

Function No. 55 is for supply fan power up and function No. 56 is for exhaust fan power up.

When function No. 1 is on and fan speed already reached the maximum power, this function is N/A.

These functions are N/A from Lossnay unit DIP-SW.

DIP-SW		Setting check	PZ-61DR-E		Setting check	Supply fan power up
SW No.	Setting		Function No.	Setting Data		
N/A	-	-	55	0	(Factory setting)	N/A
	-	-		1		1 level up
	-	-		2		2 level up
	-	-		3		3 level up
	-	-		4		4 level up

DIP-SW		Setting check	PZ-61DR-E		Setting check	Exhaust fan power up
SW No.	Setting		Function No.	Setting Data		
N/A	-	-	56	0	(Factory setting)	N/A
	-	-		1		1 level up
	-	-		2		2 level up
	-	-		3		3 level up
	-	-		4		4 level up

Function settings (continued)

No.57 Operation monitor output synchronized with exhaust fan or supply fan

Set operation monitor output from TM3 ⑨⑩ synchronized with supply of exhaust fan.

Also supply fan delay operation, ex. for after-heater, can be set.

DIP-SW		Setting check	PZ-61DR-E		Setting check	Operation monitor output from TM3 ⑨⑩
SW No.	Setting		Function No.	Setting Data		
SW2-8 SW5-2	-	-	57	0 (Factory setting)		DIP-SW priority
	2-8 OFF 5-2 OFF (Factory setting)			1		EA fan monitor output
	2-8 OFF 5-2 ON			2		SA fan monitor output * When supply fan stops during cold outdoor temp. or defrosting, output stops.
	2-8 ON (Either 5-2 ON or OFF)			3		Operation monitor output corresponds with supply fan with following. Starts the output 10 seconds after supply fan operates. Fan continues to operate supply fan for 3 min after stopping the output.

To use SW2-8 as the after-heater, observe the cautions listed in ❹ on the page 11.

No.58 By-pass monitor output or Pre-heater output setting

Set By-pass monitor or Pre-heater output from TM3 ⑦⑩ synchronized with supply of exhaust fan.

DIP-SW		Setting check	PZ-61DR-E		Setting check	Output setting from TM3 ⑦⑩
SW No.	Setting		Function No.	Setting Data		
SW5-6	-	-	58	0 (Factory setting)		DIP-SW priority
	OFF (Factory setting)			1		By-pass ventilation operation monitor output. Corresponds to operation mode output of By-pass damper.
	ON			2		Pre-heater output. Corresponds to operation output supply fan with following. Start the output 10 seconds after supply fan starts. Fan continues to operate for 3 min after stopping the output. Lossnay starts output when outdoor temp. 0°C or less, and stops output when detecting temp. becomes 15°C. Lossnay stop the output every 1 hour. Error code is shown on the remote controller and stop the output in case of following. 1) TH1 detects higher than 15°C within 15 minutes after the output starts. 2) TH1 detects -10°C or lower, 60 minutes after the output starts.

- For heater selection, observe the cautions listed in ❹ on the page 11.
- When set to auto ventilation mode while using the Pre-heater function, the outdoor temperature may be detected as higher and the mode may change to By-pass mode, even in winter.
- During pre-heater is ON, Lossnay does not go to Fan speed 1. Even remote controller displays Fan speed 1, Lossnay is operated at Fan speed 2.

No.59 Pre-heater output setting 1) ON temperature

Set the outdoor temperature for Pre-heater output ON.

When detecting temp. becomes the setting or less, Pre-heater output from TM3 ⑦⑩ starts.

This function is N/A from Lossnay unit DIP-SW.

DIP-SW		Setting check	PZ-61DR-E		Setting check	Outdoor temp. for Pre-heater output ON
SW No.	Setting		Function No.	Setting Data		
N/A	-	-	59	0 (Factory setting)		0 °C or less
	-	-		1		-1 °C or less
	-	-		2		-2 °C or less
	-	-		3		-3 °C or less
	-	-		4		-4 °C or less
	-	-		5		-5 °C or less
	-	-		6		-6 °C or less
-	-	7		-7 °C or less		

No.60 Pre-heater output setting 2) OFF interval

Set the Pre-heater output interval. Output stops according to the set hours.

DIP-SW		Setting check	PZ-61DR-E		Setting check	Pre-heater output OFF interval
SW No.	Setting		Function No.	Setting Data		
N/A	-	-	60	0 (Factory setting)		1 hr
	-	-		1		2 hrs
	-	-		2		3 hrs
	-	-		3		4 hrs
	-	-		4		5 hrs

No.61 Fan speed for air volume "High" input

Set the fan speed setting when receiving "High" signal from remote controllers(e.g. remote controller of City Multi and Mr. Slim, Lossnay simple remote controller) which have High/Low or High/Middle/Low air volume.

DIP-SW		Setting check	PZ-61DR-E		Setting check	Operating fan speed
SW No.	Setting		Function No.	Setting Data		
SW2-9	-	-	61	0 (Factory setting)		DIP-SW priority
	OFF (Factory setting)			1		Fan speed 4
	ON			2		Fan speed 3

No.62 Fan speed for air volume "Low" input

Set the fan speed setting when receiving "Low" signal from remote controllers(e.g. remote controller of City Multi and Mr. Slim, Lossnay simple remote controller) which have High/Low.

DIP-SW		Setting check	PZ-61DR-E		Setting check	Operating fan speed
SW No.	Setting		Function No.	Setting Data		
SW2-10	-	-	62	0 (Factory setting)		DIP-SW priority
	OFF (Factory setting)			1		Fan speed 2
	ON			2		Fan speed 1

Function settings (continued)

No.63 External fan speed input setting (0 - 10 VDC)

Set external fan speed input setting.

DIP-SW		Setting check	PZ-61DR-E		Setting check	External fan speed control using CN26
SW No.	Setting		Function No.	Setting Data		
SW2-3 SW2-6	-	-	63	0 (Factory setting)		DIP-SW priority
	2-3 OFF 2-6 OFF (Factory setting)			1		External fan speed control is N/A.
	2-3 ON 2-6 OFF			2		Refer to pattern X
	2-3 OFF 2-6 ON			3		Refer to pattern Y
	2-3 ON 2-6 ON			4		Refer to pattern Z

Lossnay changes fan speed according to input voltage to CN26. When pattern X or Y is selected, it is not possible to change fan speed from remote controllers.

(External input has higher priority)

[Pattern X]

When the input voltage is more than 6.0 VDC, Lossnay operates at fan speed 4 (maximum air volume). Lower voltage than 6.0 VDC, Lossnay operate at weaker fan speed. (Connection example: if you use a CO₂ sensor which 0 - 10 VDC equals to 0 - 2000 ppm, 6.0 VDC equals to 1200 ppm)

[Pattern Y]

When the input voltage is more than 5.0 VDC, Lossnay operates at fan speed 4 (maximum air volume). Lower voltage than 5.0 VDC, Lossnay operate at weaker fan speed. (Connection example, if you use a CO₂ sensor which 0 - 10 VDC equals to 0 -2000 ppm, 5.0 VDC equals to 1000 ppm)

[Pattern Z]

Lossnay changes fan speed as the table below. (Connection example: BMS (Building Management System))

Input voltage[VDC]	Fan speed	Fan speed changing from Remote controller
0 - 1.0	-	Available
1.5 - 2.5	1	Not available
3.5 - 4.5	2	Not available
5.5 - 7	3	Not available
8.5 - 10	4	Not available

When the input voltage is in-between, it will cause unstable operation.

No.100 Initialization

Set to initialize the remote PZ-61DR-E setting.

All settings which are changed by users are cancelled.

DIP-SW		Setting check	PZ-61DR-E		Setting check	Initialization
SW No.	Setting		Function No.	Setting Data		
N/A	-	-	100	0		N/A
	-	-		1		Available

Trial operation (continued)

4. If trouble occurs during trial operation

Symptom	Remedy																					
Will not operate even when the operation switch for the remote controller (PZ-61DR-E) is pressed.	<ul style="list-style-type: none"> Check the power supply. (The specified power supply is single-phase 220-240 V 50 Hz) Check for a short circuit or disconnection in the transmission cable. (Check that the voltage between terminals in the transmission cables is 10 to 13 VDC for the PZ-61DR-E.) Check that there is 5 cm or more separating the transmission cable from the power supply cable and any other transmission cables. Run the Lossnay independently using the trial operation switch (SW2-1) and check if it runs. <table border="1" style="width: 100%;"> <tr> <td>Lossnay runs</td> <td>--></td> <td>Check the signal lines</td> </tr> <tr> <td>Lossnay doesn't run</td> <td>--></td> <td>Check the power supply</td> </tr> </table> Check if there are three or more remote controller connected. (The maximum is two.) 	Lossnay runs	-->	Check the signal lines	Lossnay doesn't run	-->	Check the power supply															
Lossnay runs	-->	Check the signal lines																				
Lossnay doesn't run	-->	Check the power supply																				
When using M-NET, the operation switch of Remote Controller (PZ-61DR-E) is dead.	<ul style="list-style-type: none"> Check the power supply. (Specified power supply: single-phase 220-240 V 50 Hz, wire dia. ϕ1.6, switch capacity) Check if the power supply unit is connected or not, and if the power is supplied or not (For a system with Lossnay only, it is necessary to install the power supply unit.) Check the transmission cable for short-circuit or broken wire (Check if DC 20 - 30 V is detected between the terminals of transmission cable). Check if a clearance of 5 cm is secured between the transmission cable and the Power supply cable and other transmission cables. Run Lossnay independently to see if it operates properly or not. <table border="1" style="width: 100%;"> <tr> <td>Lossnay operates</td> <td>--></td> <td>Inspect the transmission cable</td> </tr> <tr> <td>Lossnay doesn't operate</td> <td>--></td> <td>Check the power supply</td> </tr> </table> 	Lossnay operates	-->	Inspect the transmission cable	Lossnay doesn't operate	-->	Check the power supply															
Lossnay operates	-->	Inspect the transmission cable																				
Lossnay doesn't operate	-->	Check the power supply																				
Does not operate even when the operation switch for remote controller for MELANS is pressed.	<ul style="list-style-type: none"> Check whether or not there is a power supply unit and that the power has been turned on. (On systems with only a Lossnay, a power supply unit is required.) 																					
Indoor unit or external device does not interlock.	<ul style="list-style-type: none"> Check if the pulse input switch (SW2-2) is off. (Can be set from PZ-61DR-E) Check the overall cable length between the indoor unit or external device and Lossnay. (Refer to technical publications or other such documents.) Check the connections at the external control input terminal block (TM2). In the case of voltage charged 12 or 24 VDC output device: Connect to external control input terminals ① and ②. In the case of uncharged a-contact output device: Connect to external control input terminals ① and ③. In the case of Mr. Slim (A control or K control): Connect to external control input terminals ① and ②. Perform the registration operation using the remote control for the air conditioner or MELANS. (Refer to the installation instructions for the remote controller for the indoor unit or MELANS.) Check if the delay has been set. Check the overall length of the transmission cable between the external device and Lossnay. (Refer to technical publications or other such documents.) Check if the transmission cable from the external device has come off of the external control input terminal. <table border="1" style="width: 100%;"> <thead> <tr> <th></th> <th>Operation signal</th> <th>Stop signal</th> </tr> </thead> <tbody> <tr> <td>Charged 12 or 24 VDC output device</td> <td>12 or 24 VDC</td> <td>0 VDC</td> </tr> <tr> <td>Uncharged a-contact output device</td> <td>Resistance: 0 Ω</td> <td>Unlimited resistance Ω</td> </tr> <tr> <td>Mr. Slim</td> <td>2 to 6 VDC (pulse signal)</td> <td>2 to 6 VDC (pulse signal)</td> </tr> </tbody> </table> Check, in the case of multiple units, whether the DIPSW SW5-10 of the Lossnay unit which is connected to the external control input terminal is set ON, and check whether the DIPSW SW5-10 of other Lossnay units are set to OFF. 		Operation signal	Stop signal	Charged 12 or 24 VDC output device	12 or 24 VDC	0 VDC	Uncharged a-contact output device	Resistance: 0 Ω	Unlimited resistance Ω	Mr. Slim	2 to 6 VDC (pulse signal)	2 to 6 VDC (pulse signal)									
	Operation signal	Stop signal																				
Charged 12 or 24 VDC output device	12 or 24 VDC	0 VDC																				
Uncharged a-contact output device	Resistance: 0 Ω	Unlimited resistance Ω																				
Mr. Slim	2 to 6 VDC (pulse signal)	2 to 6 VDC (pulse signal)																				
Lossnay does not stop.	<ul style="list-style-type: none"> Check that the trial operation switch (SW2-1) is set to off. 																					
The inspection indicator lamp (LED 1 Green) in the control box flashes.	<table border="1" style="width: 100%;"> <tbody> <tr> <td>1 flash</td> <td>Fault on supply fan motor</td> <td rowspan="11" style="vertical-align: middle; text-align: center;">Turn the power off and consult your dealer.</td> </tr> <tr> <td>2 flashes</td> <td>Fault on exhaust fan motor</td> </tr> <tr> <td>4 flashes</td> <td>Fault on OA thermistor</td> </tr> <tr> <td>5 flashes</td> <td>Fault on RA thermistor</td> </tr> <tr> <td>6 flashes</td> <td>Fault on supply fan motor</td> </tr> <tr> <td>7 flashes</td> <td>Fault on exhaust fan motor</td> </tr> <tr> <td>8 flashes</td> <td>Fault on Pre-heater capacity or relay of TM3⑦⑩</td> </tr> <tr> <td>9 flashes</td> <td>Fault on remote controller communication</td> </tr> <tr> <td>10 flashes</td> <td>Fault on function setting</td> </tr> <tr> <td>11 flashes</td> <td>Fault on power supply to remote controller</td> </tr> </tbody> </table>	1 flash	Fault on supply fan motor	Turn the power off and consult your dealer.	2 flashes	Fault on exhaust fan motor	4 flashes	Fault on OA thermistor	5 flashes	Fault on RA thermistor	6 flashes	Fault on supply fan motor	7 flashes	Fault on exhaust fan motor	8 flashes	Fault on Pre-heater capacity or relay of TM3⑦⑩	9 flashes	Fault on remote controller communication	10 flashes	Fault on function setting	11 flashes	Fault on power supply to remote controller
1 flash	Fault on supply fan motor	Turn the power off and consult your dealer.																				
2 flashes	Fault on exhaust fan motor																					
4 flashes	Fault on OA thermistor																					
5 flashes	Fault on RA thermistor																					
6 flashes	Fault on supply fan motor																					
7 flashes	Fault on exhaust fan motor																					
8 flashes	Fault on Pre-heater capacity or relay of TM3⑦⑩																					
9 flashes	Fault on remote controller communication																					
10 flashes	Fault on function setting																					
11 flashes	Fault on power supply to remote controller																					
The inspection indicator lamp (LED 2 Red) in the control box flashes.	<table border="1" style="width: 100%;"> <tbody> <tr> <td>1 to 8 flashes</td> <td>Error in M-NET communication</td> <td>Turn off the power and immediately contact your dealer.</td> </tr> </tbody> </table>		1 to 8 flashes	Error in M-NET communication	Turn off the power and immediately contact your dealer.																	
1 to 8 flashes	Error in M-NET communication	Turn off the power and immediately contact your dealer.																				

■ When an inspection number blinks on the remote controller, follow the procedures shown in the installation and operating manuals provided with the remote controller.

■ If the remote controller is not used, operate after approximately 2 minutes of turning on the power for the Lossnay.

Вентилятор Lossnay с возвратом тепла

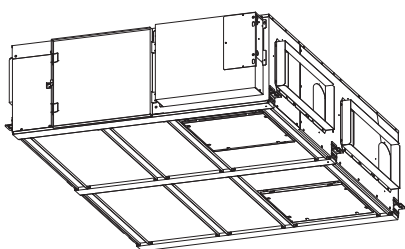
МОДЕЛИ:

LGH-150RVXT-E

LGH-200RVXT-E

LGH-250RVXT-E

Инструкции по монтажу (для использования дилером/подрядчиком)



Содержание

Меры предосторожности.....	1
Габаритные чертежи.....	3
Перед установкой.....	3
Примеры стандартного монтажа.....	4
Порядок монтажа.....	4
Настройка функций.....	13
Проверки после монтажа.....	22
Пробный запуск.....	22

Необходимо обеспечить надлежащий монтаж данного изделия для обеспечения максимальной функциональности и безопасности.

Перед началом монтажных работ обязательно прочтите данное руководство по монтажу.






- Монтаж должен осуществлять дилер или подрядчик по монтажу. Обратите внимание на то, что неправильный монтаж может привести к неисправности или несчастному случаю.

«Руководство по эксплуатации» и данное руководство необходимо передать заказчику по завершении монтажных работ.

Меры предосторожности




Приведенные ниже обозначения означают, что несоблюдение описанных ниже мер предосторожностей может привести к смерти или серьезной травме.

ПРЕДОСТЕРЕЖЕНИЕ

 Не разбирать	Изменение и разборка запрещены. (Это может привести к пожару, поражению электрическим током или травме.)	 Следуйте приведенным инструкциям.	<p>Работы по электропроводке должны осуществляться квалифицированными профессионалами с учетом правил техники безопасности и надежности в соответствии с техническими нормами и правилами по удлинению проводки электрооборудования. (Плохое соединение или ненадлежащим образом выполненные работы по электропроводке могут привести к поражению электрическим током или пожару.)</p> <p>Установите разъединитель источника питания на стороне подачи электропитания в соответствии с местными электротехническими нормами. Перед работой с клеммным устройством необходимо отключить все контуры питания. Используйте кабели указанного сечения и надежно подключайте кабели для предотвращения их разъединения при натяжении. (При наличии дефекта в соединении существует вероятность возникновения пожара.)</p> <p>Выберите надлежащее место для отверстия забора наружного воздуха, где в него не будут попадать выхлопные газы, например, продукты сгорания и прочее, и где нет вероятности его закупоривания. (Недостаток свежего воздуха может привести к нехватке кислорода в помещении.)</p> <p>Стальной трубопровод необходимо устанавливать так, чтобы обеспечить отсутствие электрического соединения с металлом, проводами, пластинами из нержавеющей стали и прочими предметами. (При утечке электропитания это может привести к пожару.)</p>
 Запрещается использовать в ванной или душевой	Блок Lossnay и контроллер дистанционного управления запрещается размещать в местах с повышенной влажностью, например в ванной комнате или других влажных местах. (Это может привести к поражению электрическим током или утечке электроэнергии.)		
 Подключите провод заземления.	Обеспечьте правильное подключение изделия к заземлению. (Неисправность или утечка тока может привести к поражению электрическим током.)		
 Следуйте приведенным инструкциям.	Используйте указанный источник питания с необходимым уровнем напряжения. (Использование ненадлежащего источника питания или источника с другим уровнем напряжения может привести к пожару или поражению электрическим током.) Выберите место с достаточной прочностью и надежно установите основной блок. (Его падение может привести к травме.)		

Меры предосторожности (продолжение)

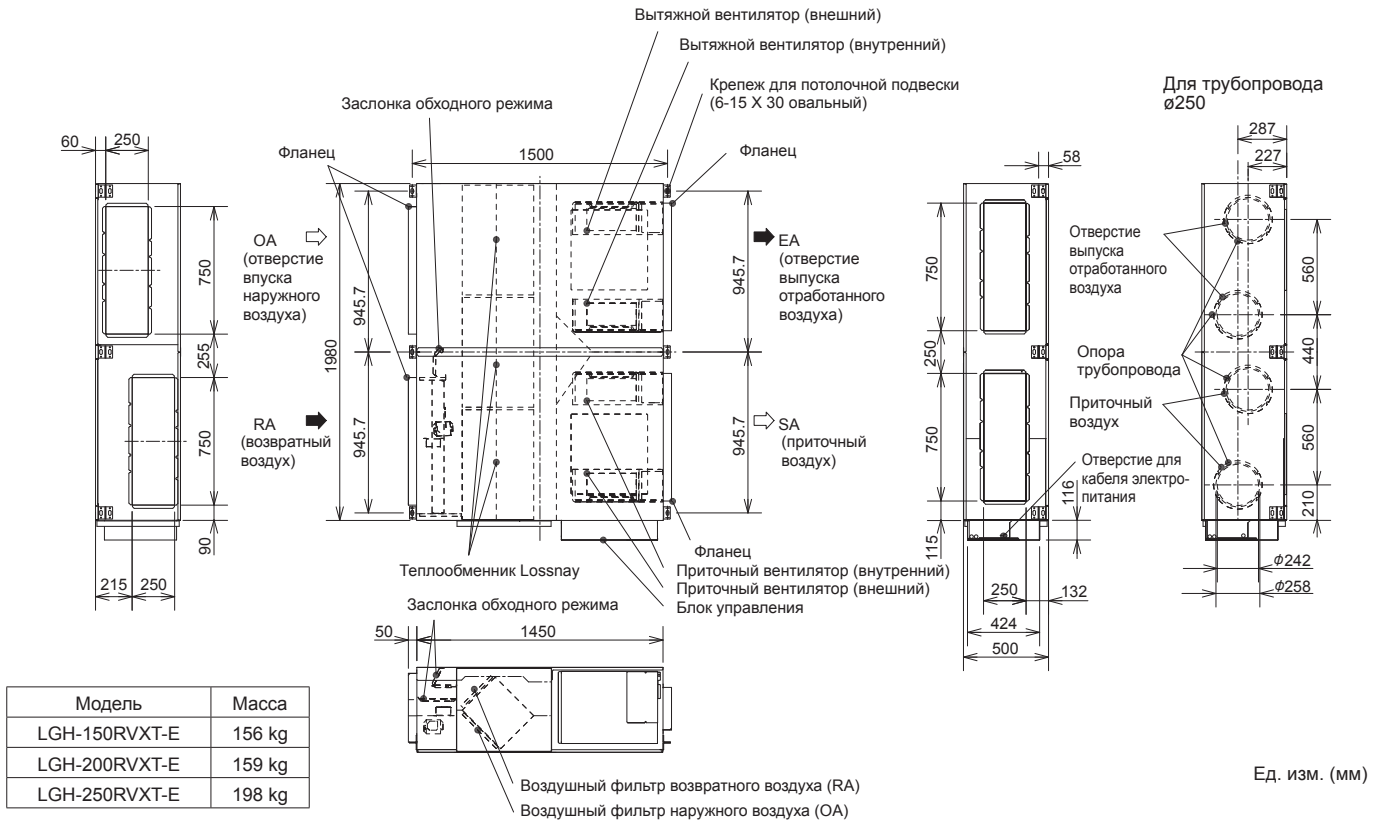
ВНИМАНИЕ

 Запрещено	<p>Не устанавливайте топочные устройства в месте, где они будут подвергаться прямому воздействию потока воздуха из блока Lossnay. (В результате неполного сгорания может произойти несчастный случай.)</p> <p>Не используйте изделие в месте, подверженном влиянию высокой температуры (40 °C или выше), пламени или в местах с наличием воспламеняемых газов. (Это может привести к пожару.)</p> <p>Запрещается эксплуатация в таких местах, как химический завод, где образуются опасные газы, например, кислотные газы, щелочные газы, пары органических растворителей, испарения красок или газы, содержащие коррозионные компоненты. (Это может привести к неисправности.)</p> <p>Запрещается установка изделия в месте воздействия ультрафиолетового излучения. (Ультрафиолет может привести к повреждению изоляции.)</p>	<p>После монтажа необходимо закрыть крышку блока управления. (Пыль и влага могут привести к утечке тока или пожару.)</p> <p>При подключении внешних устройств (электрического нагревателя, заслонки, лампы, блока мониторинга и т. д.) с использованием выходных сигналов блока Lossnay обязательно устанавливайте защитное оборудование для внешних устройств. (Отсутствие защитного оборудования может привести к пожару, повреждению и т. д.)</p> <p>Выбирайте канальный нагреватель в соответствии с местными и национальными законами, нормами и стандартами.</p> <p>Выбирайте канальный нагреватель с маркировкой CE.</p> <p>Устанавливайте канальный нагреватель на расстоянии не менее 2 м от изделия. (Несоблюдение этого требования может привести к возгоранию или повреждению оборудования вследствие переноса остаточного тепла от нагревателя.)</p>
 Следуйте приведенным инструкциям.	<p>При монтаже используйте перчатки. (В противном случае можно получить травму.)</p> <p>Если изделие Lossnay не используется в течение продолжительного времени после монтажа, убедитесь в том, что разъединитель источника питания на распределительной панели питания отключен. (Это может привести к поражению электрическим током, утечке тока или пожару в результате ухудшения свойств изоляции.)</p> <p>Всегда используйте указанные подвесные болты, гайки и шайбы и проводные / цепные крючки соответствующего номинала. (Использование металлических изделий недостаточной прочности может привести к падению изделия.)</p> <p>Наружные трубопроводы должны иметь наклон с градиентом (1/30 или больше) вниз по направлению к наружным жалюзи Lossnay и иметь надлежащую изоляцию. (Попадание дождевой воды может привести к утечке тока, пожару или повреждению домашнего имущества.)</p>	 Следуйте приведенным инструкциям.

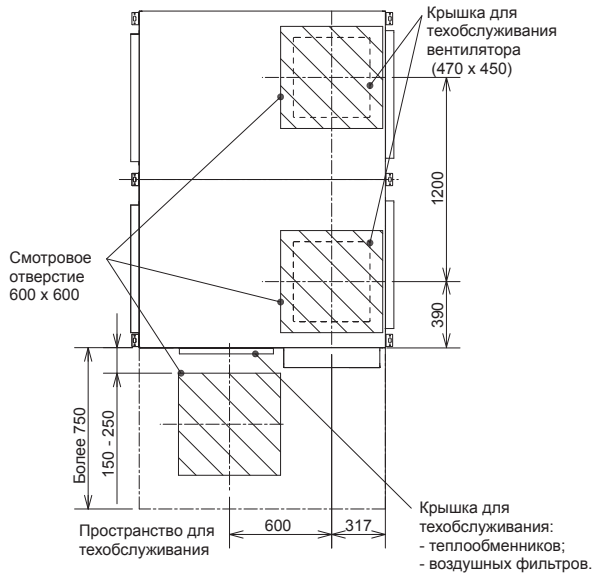
ОСТОРОЖНО

<ul style="list-style-type: none"> • При использовании изделия в местах воздействия высоких температур и влажности (40 °C или выше, 80 % относительной влажности или выше) или в местах частого образования тумана в теплообменнике может конденсироваться влага, что может привести к накоплению конденсата в блоке. Запрещается эксплуатировать изделие в таких условиях. • В изделие Lossnay может поступать наружный воздух по причине перепада давления на улице и в помещении или по причине наличия ветра, даже если изделие не используется. Для блокировки наружного воздуха рекомендуется установить электрически управляемую заслонку. • В районах с холодными зимами, сильными ветрами или частым образованием туманов при прекращении эксплуатации в изделие могут поступать холодный наружный воздух, ветер или туман. Рекомендуется установить электрически управляемую заслонку. 	<ul style="list-style-type: none"> • При использовании изделия около окна или отверстия возле наружных жалюзи, где имеется вероятность скопления насекомых около внутреннего или внешнего источника света, в изделие могут попасть насекомые. • В местах с холодными зимами на основном блоке может наблюдаться образование росы или обледенение в месте подключения трубопровода или других секций в зависимости от условий температуры наружного и внутреннего воздуха и влажности, даже если они находятся в пределах допустимых эксплуатационных условий. Обязательно убедитесь в том, что условия эксплуатации и меры предосторожности соблюдены, и не эксплуатируйте изделие при вероятности образования росы или обледенения. *Пример условия образования росы — Наружный воздух: -5 °C или ниже, температура точки росы в месте установки: 10 °C или выше (если температура внутри помещения составляет 22 °C или выше при относительной влажности 50% или выше)
---	--

Габаритные чертежи



Требования к пространству для техобслуживания



Дополнительные принадлежности

- Крепежные винты 4–8 для фланцев трубопроводов x50
(запасные 2 шт.)
- Соединительные фланцы трубопровода ($\phi 250$)..... x4
- Г-образные детали для фланцев трубопровода размером 250 x 750..... x8
- Соединительный кабель Slim-Lossnay (серый: двухжильный)..... x1

Перед установкой

- Дополнительные принадлежности поставляются в блоке Lossnay (впуск наружного воздуха в трубопровод) вместе с руководствами. Перед началом установки удалите все дополнительные принадлежности.
- Во время транспортировки для защиты от вибрации заслонку необходимо фиксировать. Перед началом установки заслонку необходимо открепить.

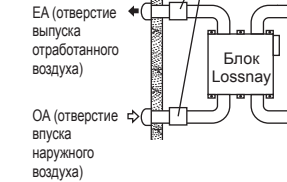
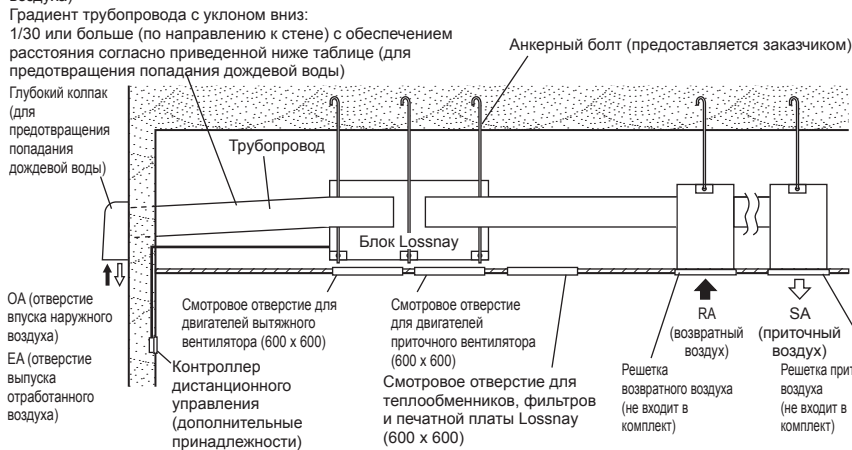
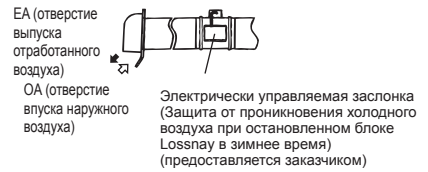
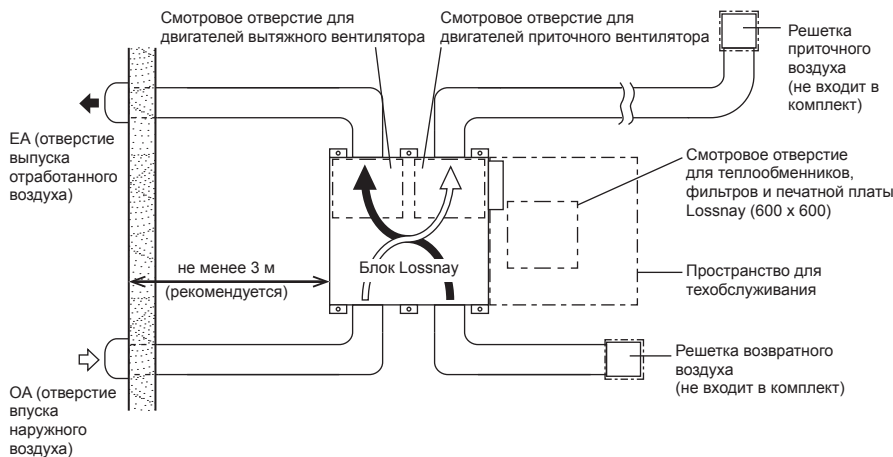
- Если размеры изделия не позволяют занести его внутрь помещения, разверните его вертикально, как показано на рисунке ниже.



ВНИМАНИЕ

- Перед этим снимите теплообменники и фильтры Lossnay (см. стр. 3 руководства по эксплуатации).

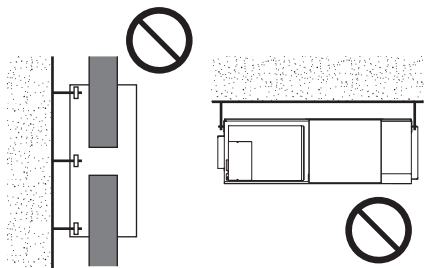
Примеры стандартного монтажа



- В регионе с вероятностью обледенения в зимнее время рекомендуется установить электрически управляемую заслонку или аналогичное устройство для предотвращения проникновения (холодного) наружного воздуха, когда блок Lossnay остановлен.

⚠ ВНИМАНИЕ

- Не устанавливайте блок Lossnay вертикально или под наклоном.
- Запрещается устанавливать блок Lossnay вверх дном.



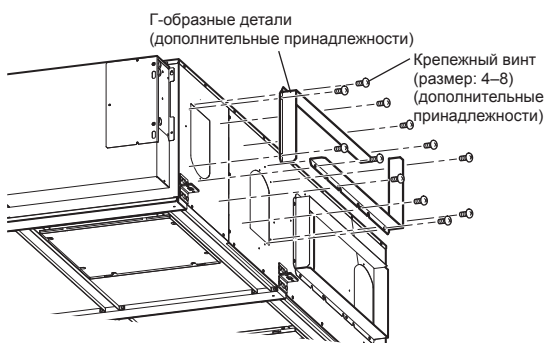
Порядок монтажа

Монтаж блока Lossnay

1. Установка соединительных фланцев трубопровода

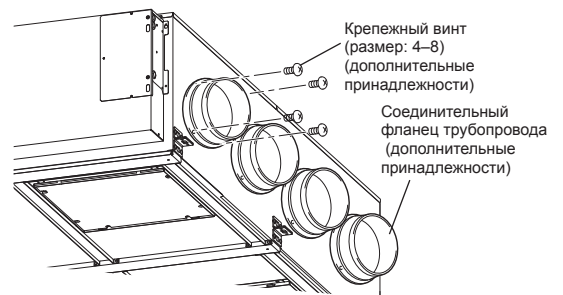
1) фланцы трубопровода 250 x 750

Для крепления к блоку Lossnay Г-образных деталей, образующих фланцы размером 250 x 750, используйте винты, входящие в комплект поставки (размер: 4–8).



2) фланцы для трубопровода $\varnothing 250$

В качестве каналов для приточного и выпускного воздуха можно использовать 2 трубопровода $\varnothing 250$. Используйте входящие в комплект винты (размер: 4–8) для крепления соединительных фланцев трубопровода $\varnothing 250$ к блоку Lossnay.



⚠ ВНИМАНИЕ

- Перед креплением соединительных фланцев трубопровода убедитесь в отсутствии инородных предметов (клочков бумаги, винила и т. д.) внутри блока Lossnay.

Порядок монтажа (продолжение)

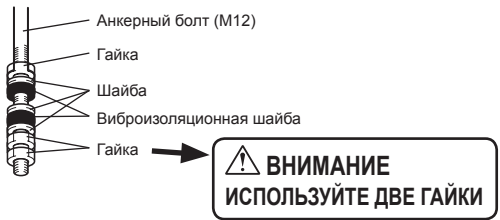
2. Подготовка анкерных болтов (M12)

Установите шайбы (наружный диаметр >24 мм) и гайки на предварительно обработанные анкерные болты (M12), как показано на рисунке ниже.



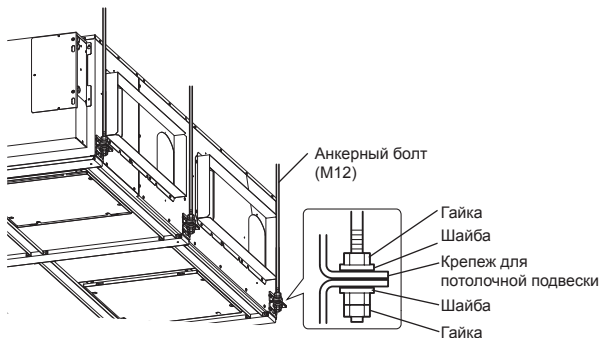
[При использовании (подготовленных заказчиком) виброизоляционных шайб]

При использовании (подготовленных заказчиком) виброизоляционных шайб возможно сокращение длины, поэтому рекомендуется использовать конструкцию следующего типа:



3. Монтаж блока Lossnay

- Навесьте крепеж для потолочной подвески на анкерные болты и осуществите регулировку так, чтобы обеспечить горизонтальность блока Lossnay.
- Туго затяните с помощью двойных гаек.



⚠ ВНИМАНИЕ

- При подвешивании блока Lossnay на потолок не прилагайте усилий к блоку управления.
- Устанавливайте анкерные болты, способные выдержать вес изделия или нагрузку при землетрясении. (также можно использовать проводные / цепные крепления соответствующей прочности)

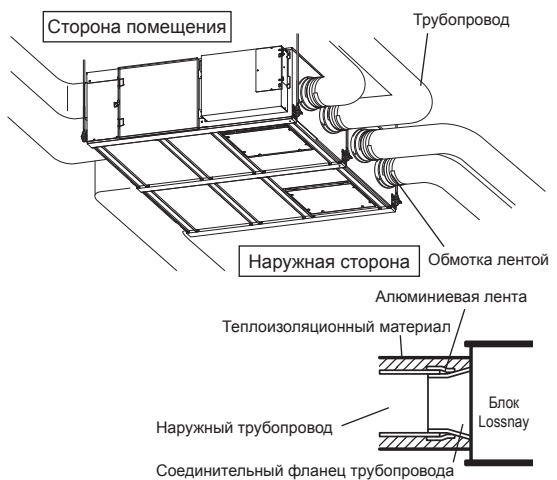
4. Соединение трубопроводов

- Надежно прикрепите трубопровод к соединительному фланцу трубопроводов и намотайте алюминиевую ленту (приобретается на месте) вокруг соединений, чтобы исключить утечки воздуха.
- Подвесьте трубопроводы на потолок таким образом, чтобы их вес не воздействовал на блок Lossnay.
- Два наружных трубопровода необходимо закрыть теплоизоляционным материалом для предотвращения образования конденсата.

фланцы трубопровода 250 x 750



фланцы для трубопровода ø250

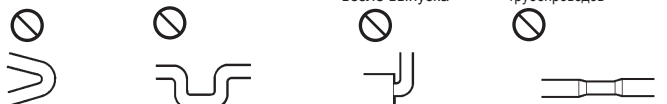


⚠ ВНИМАНИЕ

- В случае проведения измерений на месте эксплуатации для получения точных значений рекомендуется проводить измерения на расстоянии более 10xD (D=диаметр трубопровода или аналогичный размер) от таких источников турбулентности, как изгибы, сужения или заслонки. В Великобритании измерения на месте эксплуатации должны проводиться в соответствии с рекомендациями BSRIA (Ввод системы кондиционирования воздуха в эксплуатацию. Применимые процедуры для зданий AG3/89.3(2001))
- Перед креплением трубопроводов убедитесь в отсутствии инородных предметов (клочков бумаги, винила, мусора и т. д.) внутри трубопроводов.
- При подсоединении трубопроводов запрещается касаться заслонки внутри блока Lossnay. (Во время крепления трубопровода прямоугольного сечения с помощью винтов следите за тем, чтобы они не врезались в заслонку.)
- Если ожидается, что температура наружного воздуха около места монтажа блока Lossnay будет высокой в период летнего кондиционирования воздуха, рекомендуется обернуть внутренние трубопроводы изоляционным материалом.
- Не устанавливайте вспомогательный вентилятор в воздушном канале вытяжного вентилятора.

Не выполняйте монтаж трубопроводов следующим образом. (это может привести к падению объема воздуха и возникновению ненормальных шумов):

- Очень крутые изгибы
- Многочисленные изгибы
- Изгибы непосредственно возле выпуска
- Большое сокращение диаметра соединенных трубопроводов



Порядок монтажа (продолжение)

Электрический монтаж

В данном изделии порядок монтажа электропроводки зависит от конструкции системы.

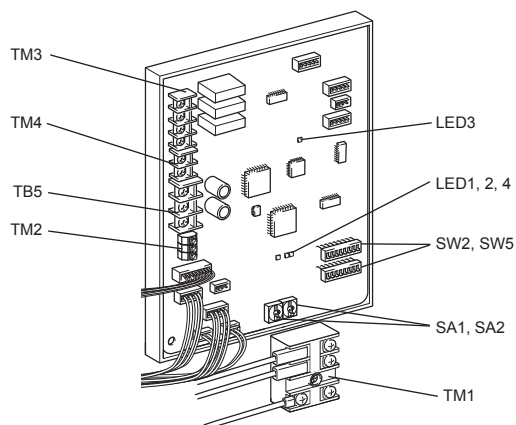
Монтаж электропроводки следует осуществлять в соответствии с местными электротехническими нормами.

* В качестве кабелей передачи всегда используйте ПВХ-кабели с двойной изоляцией.

* Работы по электропроводке должны осуществляться квалифицированными профессионалами.

* Перед работой с клеммными устройствами необходимо отключить все контуры питания.

Наименования компонентов в блоке управления



Порядок монтажа (продолжение)

Схема подключения проводов ----- Модели LGH-150 и 200 RVXT-E

* TM1, TM2, TM3, TM4, TB5, показанные пунктирной линией, устанавливаются на месте эксплуатации.

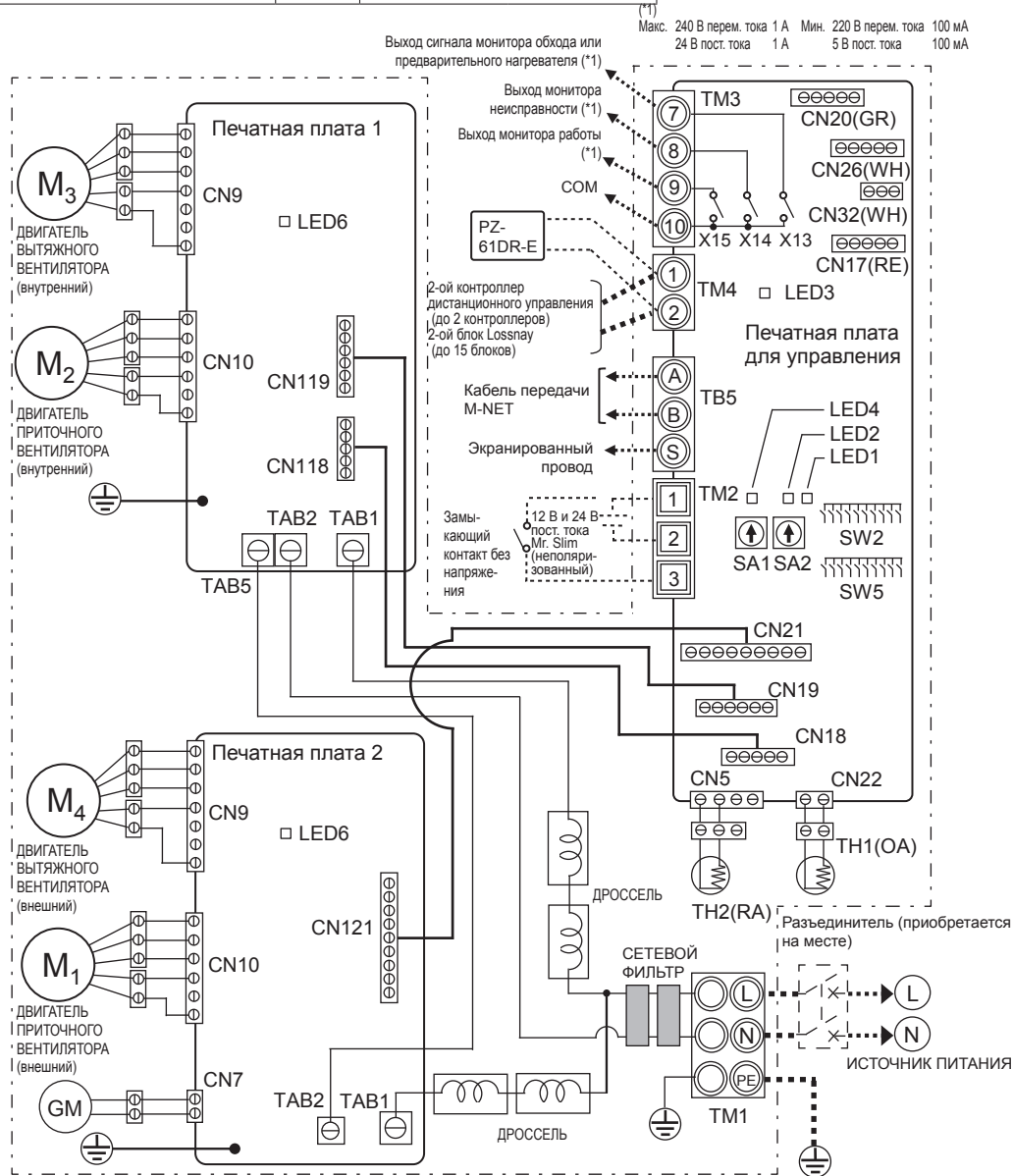
* Обязательно подключите провод заземления.

* Необходимо установить разъединитель источника питания.

* В качестве выключателя сетевого питания всегда используйте разъединитель.

* Выберите автоматический выключатель в соответствии с информацией о силе тока, приведенной в таблице ниже.

Модель		LGH-150RVXT-E	LGH-200RVXT-E
Максимальный ток во время работы, А		5,6	6,4
Пусковой ток после включения питания, А	10 ms	12,1	
	100 ms	6,6	



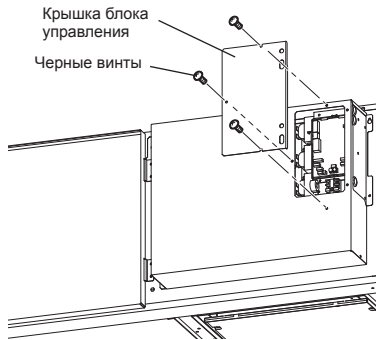
Описание обозначений

M1: Двигатель приточного вентилятора (внешний)	X13: Контакт реле	CN26: Разъем (обход, 0–10 В пост. тока, управление скоростью вентилятора)
M2: Двигатель приточного вентилятора (внутренний)	X14: Контакт реле	CN32: Разъем (выбор дистанционного управления)
M3: Двигатель вытяжного вентилятора (внутренний)	X15: Контакт реле	SA1: Поворотный переключатель установки адреса (десятки)
M4: Двигатель вытяжного вентилятора (внешний)	CN5: Разъем (терморезистор RA)	SA2: Поворотный переключатель установки адреса (единицы)
GM: Двигатель заслонки обходного режима	CN7: Разъем (двигатель заслонки обходного режима)	От LED1 до LED3: Индикатор проверки
TH1: Терморезистор для наружного воздуха	CN9: Разъем (двигатель вентилятора)	LED4, LED6: Индикатор питания
TH2: Терморезистор для возвратного воздуха	CN10: Разъем (двигатель вентилятора)	СИМВОЛ ○ □ : Клемная колодка
SW2,5: Переключатель (выбор функции)	CN17: Разъем (скорость вентилятора 1/2/3/4)	□ : Разъем на печатной плате
TM1: Клемная колодка (источник питания)	CN18: Разъем	
TM2: Клемная колодка (вход внешнего управления)	CN19: Разъем	
TM3: Клемная колодка (выход монитора)	CN119: Разъем	
TM4: Клемная колодка (кабель передачи)	CN20: Не используется	
TB5: Клемная колодка (кабель передачи M-NET)	CN22: Разъем (терморезистор OA)	
TAB1, TAB2, (TAB5): Разъем (источник питания)		
TAB3, TAB4: Разъем (дроссель)		

Порядок монтажа (продолжение)

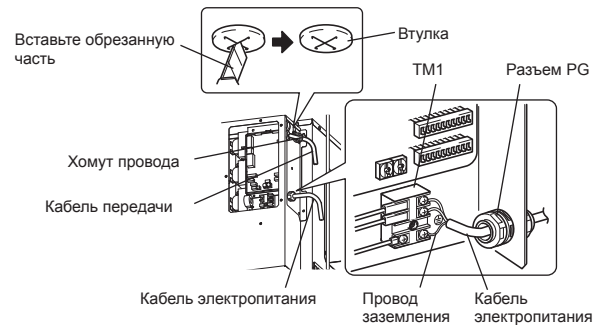
Подключение кабеля электропитания

1. Отверните черные винты и снимите крышку блока управления



2. Подключение кабеля электропитания и кабеля передачи

Пропустите кабель электропитания через втулку* и подключите к клеммной колодке TM1 с помощью круглых клемм. Подключите провод заземления к клемме заземления и закрепите, затянув втулку. (*Используйте деталь, которая позволяет надежно закрепить кабель, например разъем PG.)



⚠ ВНИМАНИЕ

- Для предотвращения возникновения неисправностей в блоке всегда размещайте кабель электропитания на расстоянии не менее 5 см от кабеля передачи.
- В случае слишком большой длины снятой изоляции кабеля электропитания проводники могут соприкоснуться и создать короткое замыкание.
- Сечение кабеля электропитания: не менее 1,5 мм² (Ø9).
 - (1) Прикрепите провод заземления и кабели передачи к клеммной колодке.
 - (2) Закрепите кабели передачи с помощью хомутов.

По завершении подключения проводки установите на место крышку блока управления.

Имеется возможность создания системы следующей конфигурации. Подключите необходимые детали.

- 1 При подключении с использованием контроллера дистанционного управления (PZ-61DR-E).
- 2 При связанной работе с внутренним блоком кондиционера или другим внешним устройством, включая устройства других производителей.
- 3 При работе с несколькими блоками Lossnay.
- 4 Выход сигнала монитора обхода или предварительного нагревателя.
- 5 Выход монитора неисправности.
- 6 Выход монитора работы
- 7 При внешнем переключении режимов скорости вентилятора (при подключении датчика или другого оборудования).
- 8 При внешнем переключении режима обходной работы.
- 9 Для изменения скорости вентилятора входным сигналом 0–10 В пост. тока
- 10 При использовании переключения дистанционного / локального управления и входа ВКЛ/ВЫКЛ (сигнал уровня)
- 11 При подключении к системе City Multi или сетевой системе кондиционирования воздуха Mitsubishi Electric Air-Conditioner Network System (MELANS).
- 12 Для запуска/остановки независимой работы блока Lossnay без использования контроллера дистанционного управления

⚠ ВНИМАНИЕ

- При подключении внешних устройств (электрического нагревателя, заслонки, лампы, блока мониторинга и т. д.) с использованием выходных сигналов блока Lossnay обязательно установите защитное оборудование для внешних устройств. (Отсутствие защитного оборудования может привести к пожару, повреждению и т. д.)

1 При подключении с использованием контроллера дистанционного управления (PZ-61DR-E)

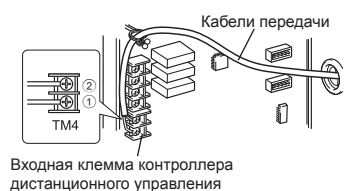
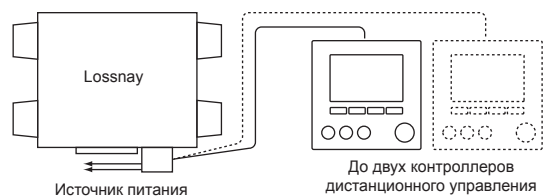
- * При управлении блоками Lossnay посредством MELANS подключайте электропроводку в соответствии с 11. Надежно закрепите кабель передачи от контроллера дистанционного управления к клеммам ① и ② входной клеммной колодки (TM4). (Без полярности)

Тип провода: двухжильный экранированный кабель
Сечение провода: 0,3 мм²

- Если используются два контроллера дистанционного управления, подключите их аналогичным образом.
- Общая длина кабеля передачи между блоком Lossnay и контроллером дистанционного управления должна превышать 200 м.

Примечание

- Не прилагайте к винтам клеммной колодки усилие крутящего момента свыше 0,5 Нм. Это может привести к повреждению печатной платы.
- Не подключайте кабель электропитания и кабель передачи M-NET.
- К одной входной клемме можно подключить до 4 кабелей передачи.
- Не допускается подключать одножильные провода, например ПВХ-провода.

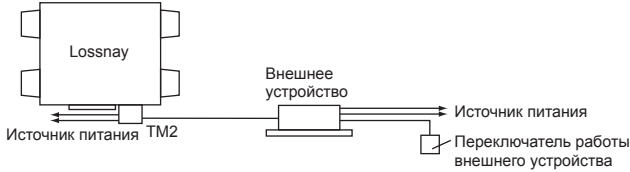


Порядок монтажа (продолжение)

2 При связанной работе с внутренним блоком кондиционера или другим внешним устройством, включая устройства других производителей

⚠ ВНИМАНИЕ

- Подключение может варьироваться в зависимости от типа выходного сигнала внешнего блока.
- Не прилагайте к винтам клеммной колодки усилие крутящего момента свыше 0,5 Нм. Это может привести к повреждению печатной платы.



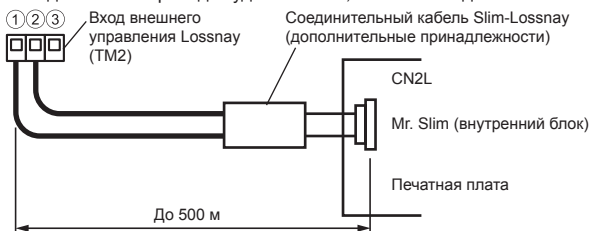
При использовании кондиционера воздуха Mitsubishi Mr. Slim с контроллером дистанционного управления MA

Убедитесь в том, что переключатель импульсного входа (SW2-2) установлен в положение «ВЫКЛ».

(Настройка изготовителя по умолчанию: «ВЫКЛ».) (См. настройки функции № 28)

Подключите кабель связанной работы со стороны разъема к разъему CN2L на печатной плате внутреннего блока Mr. Slim, затем подключите силовой провод к клеммам ① и ② входной клеммной колодки (TM2) для входа внешнего контроллера Lossnay. (Без полярности)

- Всегда размещайте кабель электропитания и соединительный кабель Slim-Lossnay на расстоянии не менее 5 см для предотвращения возникновения неисправностей в блоке.
- Длина соединительного кабеля Slim-Lossnay составляет 100 мм. При подключении проводки удлините его, если необходимо.



Примечание

- Контроллер дистанционного управления Lossnay (PZ-61DR-E) нельзя использовать с этой системой.
- Для включения и выключения блока Lossnay и установки скорости вентилятора используйте контроллер дистанционного управления MA Mr. Slim.
- В качестве режима вентиляции используется «автоматическая вентиляция».
- Убедитесь в том, что все соединения надежно установлены и изолированы.
- В качестве удлинителя используйте экранированный ПВХ-кабель сечением от 0,5 мм² до 1,5 мм².

Если внешнее устройство выдает рабочий сигнал напряжением 12 В пост. тока или 24 В пост. тока

Установка переключателя [SW2-2] варьируется в зависимости от типов выходных импульсных сигналов внешнего устройства.

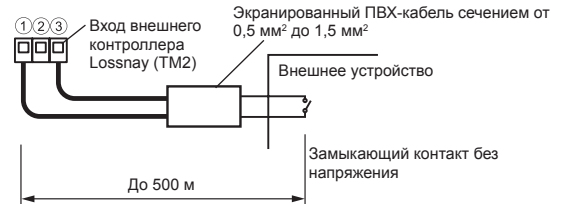
- Переведите переключатель импульсного входа [SW2-2] в положение ВКЛ. (См. настройки функции № 28)
- При связанной работе с устройством с импульсным выходом для включения блока Lossnay необходим импульсный сигнал продолжительностью не менее 200 мс с паузой 10 с до следующего сигнала.
- Монтаж проводки должен осуществляться в соответствии с приведенным ниже рисунком.



(Следуйте указаниям руководства по эксплуатации внешнего оборудования.)

Если внешнее устройство выдает сигнал замыкающего контакта без напряжения

- Монтаж проводки должен осуществляться в соответствии с приведенным ниже рисунком.

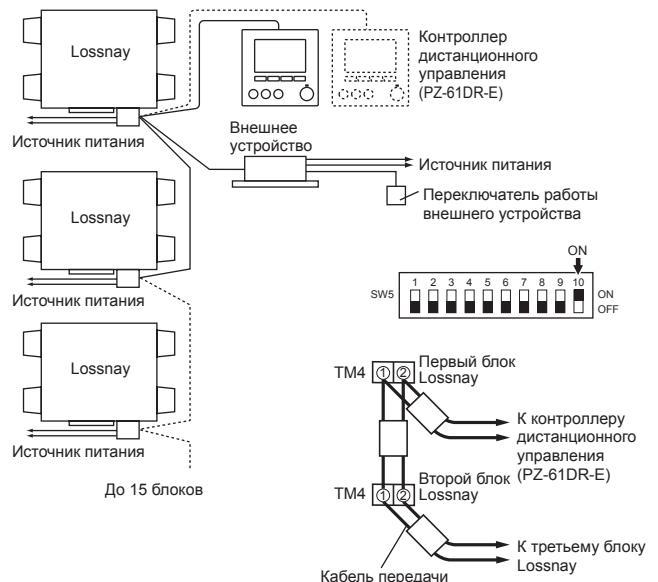


⚠ ВНИМАНИЕ

- Если со стороны замыкающего контакта без напряжения используется оптопара или любой другой тип полярного соединителя, подключите положительный вывод к клемме ③, а отрицательный - к клемме ①.

3 При работе с несколькими блоками Lossnay

- Подключите блок Lossnay 1 к блоку Lossnay 2, затем блок 2 к блоку 3 и т. д. (до 15 блоков) с помощью кабеля передачи. Тип провода: двухжильный экранированный кабель Сечение провода: 0,3 мм²
- При связанной работе с внешним устройством установите во включенное положение переключатель (SW5-10) основного блока Lossnay, к которому подводится внешний сигнал.



⚠ ВНИМАНИЕ

Не прилагайте к винтам клеммной колодки усилие крутящего момента свыше 0,5 Нм. Это может привести к повреждению печатной платы.

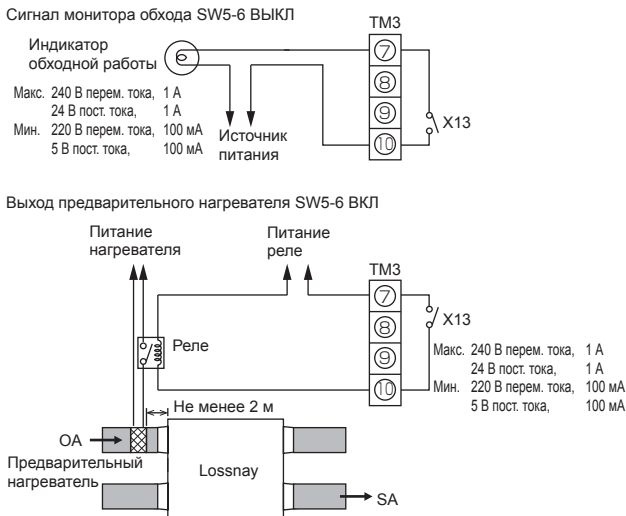
Примечание

- К одной входной клемме можно подключить до четырех кабелей передачи.
- Не допускается подключать одножильные провода, например ПВХ-провода.
- В качестве основного можно установить только один блок Lossnay. Рабочий сигнал и импульсный сигнал внешнего устройства можно подключить только к основному блоку Lossnay.
- Если внешний сигнал не подводится, установка основного блока не требуется даже в случае работы с несколькими блоками.
- Подключите кабель электропитания к каждому блоку Lossnay.

Порядок монтажа (продолжение)

4 Выход сигнала монитора обхода или предварительного нагревателя.

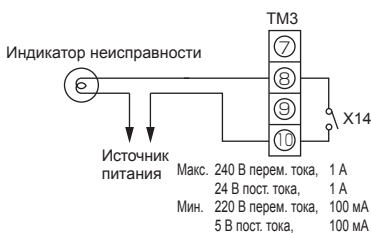
Сигнал монитора обхода или предварительного нагревателя можно выбрать с помощью переключателя SW5-6. (См. настройки функции № 58) Всегда проверяйте, что это требуемое положение.



ВНИМАНИЕ

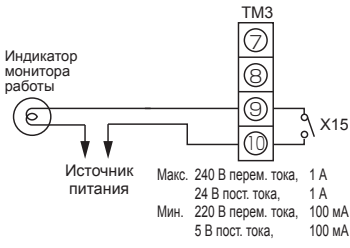
- Выбирайте каналный нагреватель в соответствии с местными и национальными законами, нормами и стандартами. Выбирайте каналный нагреватель с маркировкой CE.
- Всегда выбирайте нагреватель, оборудованный защитным устройством без самовозврата. Не подавайте питание к каналному нагревателю непосредственно от блока Lossnay. (Это может привести к пожару.)
- Устанавливайте автоматический выключатель каналного нагревателя в соответствии со всеми действующими законами, нормами и стандартами.
- Устанавливайте каналный нагреватель на расстоянии не менее 2 м от изделия. (Несоблюдение этого требования может привести повреждению оборудования вследствие переноса остаточного тепла от нагревателя.)
- При использовании нагревателя без функции контроля температуры выбирайте нагреватель с характеристиками, соответствующими объему воздуха.
- Не используйте нагреватель, предназначенный для объемов воздуха больше требуемых. (Использование нагревателя слишком большой мощности может привести к частому включению и выключению нагревателя.) (Использование нагревателя недостаточной мощности может привести к недостаточному нагреву.)
- Убедитесь в том, что соединения каналного нагревателя и блока Lossnay выполнены и что функции блока Lossnay установлены, а затем проверьте функционирование с помощью пробного запуска.
- Информация о включении каналного нагревателя приведена в описании настройки функции SW5-6.

5 Выход монитора неисправности.

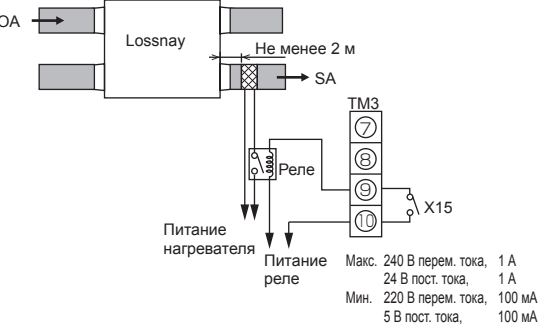


6 Выход монитора работы

С помощью переключателя SW 5-2 выход монитора работы можно синхронизировать с вытяжным вентилятором или приточным вентилятором. SW5-2 ВЫКЛ: Выход монитора работы вытяжного вентилятора SW5-2 ВКЛ: Выход монитора работы приточного вентилятора (См. настройки функции № 57) Всегда проверяйте, что это требуемое положение.



Чтобы использовать выход монитора работы для подачи питания нагревателю второго подогрева, переведите переключатель SW2-8 в положение ВКЛ и используйте выход монитора работы приточного вентилятора с задержкой включения. (См. настройки функции № 57) Для нагревателя соблюдайте предостережения, приведенные в п. 4.

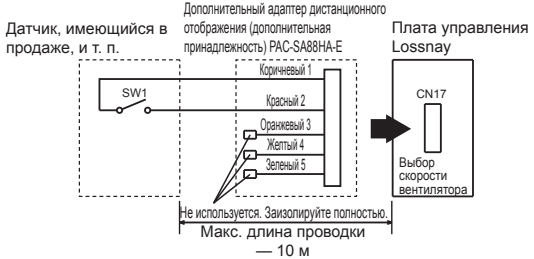


7 При внешнем переключении режимов скорости вентилятора (при подключении датчика или другого оборудования)

Используя имеющийся в продаже датчик и пр., осуществите подключение путем вставки дополнительного адаптера дистанционного отображения (РАС-SA88НА-Е) в разъем CN17 (красный), как показано на рисунке. Блок Lossnay будет устанавливать скорость вентилятора в соответствии с приведенной ниже таблицей независимо от настройки на контроллере дистанционного управления.

CN17 (красный)	Скорость вентилятора
1-2 (коричневый-красный)	4
1-3 (коричневый-оранжевый)	3
1-4 (коричневый-желтый)	2
1-5 (коричневый-зеленый)	1

■ Пример «Скорость вентилятора 4»

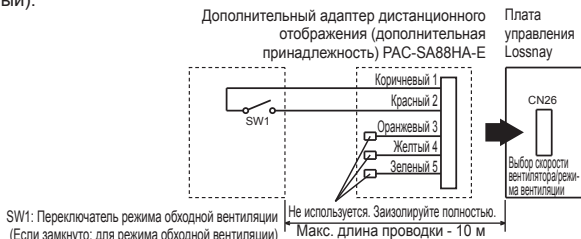


Используйте его таким образом, чтобы он в нормальном режиме обеспечивал вентиляцию при низкой скорости вентилятора, а когда внешний датчик обнаружит загрязнение воздуха в помещении, выполнялось переключение в режим высокой скорости.

Порядок монтажа (продолжение)

8 При внешнем переключении режима обходной работы.

Установите проводное подключение путем вставки дополнительного дистанционного адаптера отображения (PAC-SA88HA-E) в разъем CN26 (белый).



Если переключатель SW1 находится в положении «ВКЛ», режим вентиляции блока Lossnay переключается на режим обходной вентиляции независимо от настроек на контроллере дистанционного управления.

* Если температура наружного воздуха упадет ниже 8 °С, режим переключается на вентиляцию теплообменника. (Отображение на контроллере дистанционного управления не меняется.)

9 Для изменения скорости вентилятора входным сигналом 0–10 В пост. тока

Установите проводное подключение путем вставки дополнительного дистанционного адаптера отображения (PAC-SA88HA-E) в разъем CN26 (белый).



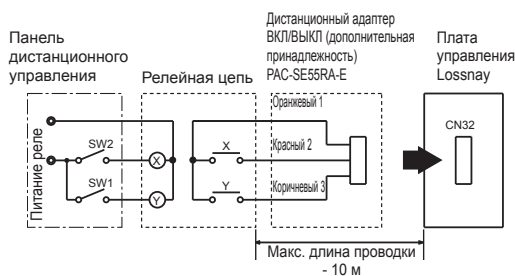
Для изменения скорости вентилятора входным сигналом 0–10 В пост. тока. Электрическая схема должна соответствовать рисунку выше. Для получения более подробной информации см. настройки функции № 63.

ВНИМАНИЕ

• Убедитесь в том, что соблюдается полярность подключения.

10 При использовании переключения дистанционного / локального управления и входа ВКЛ/ВЫКЛ (сигнал уровня)

Вставьте дополнительный дистанционный адаптер ВКЛ/ВЫКЛ (дополнительная принадлежность) PAC-SE55RA-E в разъем CN32 на печатной плате управления Lossnay.



SW1: При установке в положение ВКЛ блок Lossnay нельзя включить/выключить при помощи контроллера дистанционного управления (PZ-61DR-E).

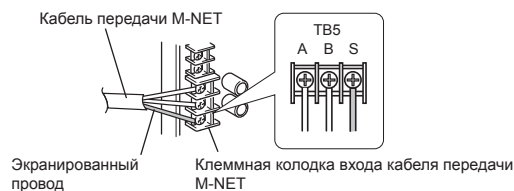
SW2: Если переключатель SW1 установлен в положение ВКЛ, блок Lossnay нельзя включить путем установки переключателя SW2 в положение ВКЛ или выключить путем установки переключателя SW2 в положение ВЫКЛ.

SW1: Селекторный переключатель дистанционного/локального управления

SW2: Переключатель ВКЛ/ВЫКЛ

X, Y : Реле (номинал контактора - 1 МА пост. тока)

11 При подключении к системе City Multi или сетевой системе кондиционирования воздуха Mitsubishi Electric Air-Conditioner Network System (MELANS)



• Один экранированный провод подключается к клемме TB5 (S) на печатной плате.

Необходимо настроить адрес. (См. раздел настроек функции.)

Кабель передачи M-NET: Подключите любой внутренний блок City Multi или сетевую систему кондиционирования воздуха Mitsubishi Electric Air-Conditioner Network System (MELANS) к блоку Lossnay.

• Контроллер дистанционного управления PZ-61DR-E:

Подключите к клеммам TM4 (1, 2) на печатной плате. (См. раздел 1 «При подключении с использованием контроллера дистанционного управления (PZ-61DR-E)».)

• Надежно подключите кабели передачи M-NET к клеммам TB5 (A, B). (Без полярности)

Тип: (Экранированный кабель, CVVS/CPEVS)

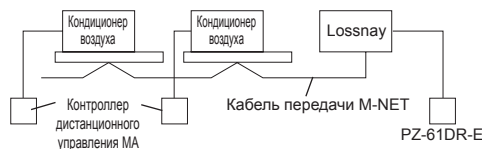
Сечение провода: от 1,25 мм² до 2,0 мм²

ВНИМАНИЕ

- Не прилагайте к винтам клеммной колодки усилие крутящего момента свыше 0,5 Нм. Это может привести к повреждению печатной платы.
- Всегда используйте в качестве кабелей передачи M-NET только экранированные кабели, и обеспечивайте надлежащую заделку экранирования.

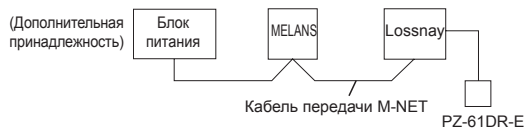
При связанной работе с кондиционером Mitsubishi M-NET

• В случае PZ-61DR-E



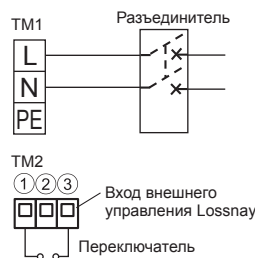
При подключении к PZ-61DR-E и MELANS

• Подключите силовой блок.



* Общая длина кабелей передачи не должна превышать 500 м. Длина проводки между блоком Lossnay и блоком питания (дополнительная принадлежность) или наружным блоком не должна превышать 200 м.

12 Для запуска/остановки независимой работы блока Lossnay без использования контроллера дистанционного управления



Запускайте/останавливайте блок с помощью переключателя, подключенного к TM2 (1, 2, 3).

При включении блок работает со скоростью вентилятора 4 в автоматическом режиме вентиляции.

Не запускайте/не останавливайте блок путем включения/выключения питания блока.

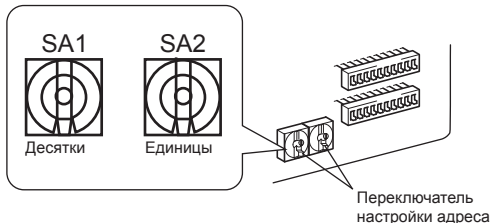
Настройка функций

При подключении к блоку City Multi и MELANS необходимо установить адрес.

Установка адреса

При настройке адреса соответствующего блока Lossnay следуйте приведенной ниже процедуре.
(Метод определения адреса будет зависеть от существующей системы. Подробнее см. соответствующие технические документы.)

- (1) Снимите крышку блока управления.
 - (2) При помощи отвертки с плоским жалом поверните переключатель настройки адреса на печатной плате.
- SA1 указывает десятки, а SA2 — единицы.
 - Значением по умолчанию является «00».



* При изменении номера адреса данные в памяти сбрасываются автоматически.

Измените настройки функций с помощью контроллера дистанционного управления PZ-61DR-E.

Указания по настройке функций приведены в руководстве по эксплуатации PZ-61DR-E.

Установка переключателей выбора функций (SW-2, 5 и 6)

Настройте селекторные переключатели (SW-2 и 5) для выполнения соответствующей функции.

* Все функции, за исключением «Пробный запуск» и «Настройка основного блока», также можно установить с помощью контроллера дистанционного управления (PZ-61DR-E). Если функция будет переключена в дальнейшем при помощи контроллера дистанционного управления, блок будет работать в соответствии с настройками, установленными на контроллере дистанционного управления.

Переключатель DIP-SW 6 предназначен для указания модели печатной платы. При замене печатной платы новой установите ту же настройку, что и для старой.

(SW6)

	SW6-1	SW6-2	SW6-3	SW6-4
LGH-150RVXT-E	Выкл.	Вкл.	Выкл.	Вкл.
LGH-200RVXT-E	Вкл.	Вкл.	Выкл.	Вкл.
LGH-250RVXT-E	Выкл.	Выкл.	Вкл.	Вкл.

* Не меняйте настройку изготовителя по умолчанию. В случае изменения восстановите настройку изготовителя по умолчанию.

(SW2)

	OFF	ON	
1	<input type="checkbox"/>	<input type="checkbox"/>	Пробный запуск
2	<input type="checkbox"/>	<input type="checkbox"/>	№ 28 Настройка импульсного входа
3	<input type="checkbox"/>	<input type="checkbox"/>	№ 63 Настройка внешнего входа скорости вентилятора (0–10 В пост. тока)
4	<input type="checkbox"/>	<input type="checkbox"/>	№ 6 Настройка давления ниже атмосферного в помещении
5	<input type="checkbox"/>	<input type="checkbox"/>	№ 7 Настройка давления выше атмосферного в помещении
6	<input type="checkbox"/>	<input type="checkbox"/>	№ 63 Настройка внешнего входа скорости вентилятора (0–10 В пост. тока)
7	<input type="checkbox"/>	<input type="checkbox"/>	№ 51 Настройка автоматического режима вентиляции
8	<input type="checkbox"/>	<input type="checkbox"/>	№ 57 Синхронизация выхода монитора работы с вытяжным вентилятором или приточным вентилятором
9	<input type="checkbox"/>	<input type="checkbox"/>	№ 61 Скорость вентилятора для входа «Высокий» объема воздуха
10	<input type="checkbox"/>	<input type="checkbox"/>	№ 62 Скорость вентилятора для входа «Низкий» объема воздуха

(SW5)

	OFF	ON	
1	<input type="checkbox"/>	<input type="checkbox"/>	№ 9 Настройка отложенного запуска кондиционера
2	<input type="checkbox"/>	<input type="checkbox"/>	№ 57 Синхронизация выхода монитора работы с вытяжным вентилятором или приточным вентилятором
3	<input type="checkbox"/>	<input type="checkbox"/>	№ 13 , № 14 Настройка вытяжного вентилятора
4	<input type="checkbox"/>	<input type="checkbox"/>	№ 5 Настройка автоматического восстановления после прерывания питания
5	<input type="checkbox"/>	<input type="checkbox"/>	№ 1 Настройка обслуживания и повышения скорости вентилятора во избежание засорения
6	<input type="checkbox"/>	<input type="checkbox"/>	№ 58 Настройка выхода монитора обхода или предварительного нагревателя
7	<input type="checkbox"/>	<input type="checkbox"/>	№ 15 Настройка режима связанной работы
8	<input type="checkbox"/>	<input type="checkbox"/>	№ 15 Настройка режима связанной работы
9	<input type="checkbox"/>	<input type="checkbox"/>	№ 14 Настройка вытяжного вентилятора при температуре наружного воздуха ниже -15 °C
10	<input type="checkbox"/>	<input type="checkbox"/>	Настройка основного блока (см. стр. 10)

Настройка функций (продолжение)

№	Функция	Настройки							Настройка изготовителя	№ DIP-SW	
		0	1	2	3	4	5	6			7
*1	Настройка обслуживания и повышения скорости вентилятора во избежание засорения	Приоритет DIP-SW	Индикатор доступен Повышение скорости вентилятора неприм	Индикатор неприм Повышение скорости вентилятора неприм	Индикатор доступен Повышение скорости вентилятора доступно	-	-	-	-	0	5-5
2	Настройка индикатора обслуживания теплообменника Lossnay	Неприм.	Доступно	-	-	-	-	-	-	0	Неприм.
5	Настройка автоматического восстановления после прерывания питания	Приоритет DIP-SW	Остановка при подаче питания	Запуск при подаче питания	Сброс до состояния, предшествующего прерыванию	-	-	-	-	0	5-4
6	Настройка давления ниже атмосферного в помещении	Приоритет DIP-SW	Неприм.	Скорость приточного вентилятора на 1 уровень ниже	Скорость приточного вентилятора на 2 уровня ниже	-	-	-	-	0	2-4
7	Настройка давления выше атмосферного в помещении	Приоритет DIP-SW	Неприм.	Скорость вытяжного вентилятора на 1 уровень ниже	Скорость вытяжного вентилятора на 2 уровня ниже	-	-	-	-	0	2-5
8	Настройка макс. скорости вентилятора для первых 30 мин	Неприм.	Доступно	-	-	-	-	-	-	0	Неприм.
9	Настройка отложенного запуска кондиционера	Приоритет DIP-SW	Неприм.	15 мин	30 мин	-	-	-	-	0	5-1
13	Настройка вытяжного вентилятора при размораживании кондиционера	Приоритет DIP-SW	Остановка	Без изменения	-	-	-	-	-	0	5-3
14	Настройка вытяжного вентилятора при температуре наружного воздуха ниже -15 °C	Приоритет DIP-SW	Остановка	Скорость вентилятора 1 или 2	Без изменения	-	-	-	-	0	5-3 5-9
15	Настройка режима связанной работы	Приоритет DIP-SW	Связанная работа ВКЛ/ВЫКЛ	Связанная работа ВКЛ	Связанная работа ВЫКЛ	Внешний вход имеет приоритет	-	-	-	0	5-7 5-8
28	Настройка импульсного входа	Приоритет DIP-SW	Не импульсный вход	Импульсный вход	-	-	-	-	-	0	2-2
*30	Настройка ночного режима 1) Объем воздуха	Неприм.	Скорость вентилятора 1	Скорость вентилятора 2	Скорость вентилятора 3	Скорость вентилятора 4	-	-	-	0	Неприм.
*31	Настройка ночного режима 2) Разность температур воздуха снаружи и внутри помещения	0 °C	1 °C	2 °C	3 °C	4 °C	5 °C	6 °C	7 °C	5	Неприм.
*32	Настройка ночного режима 3) Пороговое значение наружной температуры	Настройки от 0 до 15 --> Минимальная наружная температура для ночного режима от 15 °C до 30 °C							2	Неприм.	
*33	Настройка ночного режима 4) Время запоминания	24 часа	48 часа	72 часа	-	-	-	-	-	0	Неприм.
*34	Настройки приоритета входов	Приоритет входа основного блока	Приоритет отдельного входа	-	-	-	-	-	-	0	Неприм.
36	Настройка отображения наружной температуры	Неприм.	Доступно	-	-	-	-	-	-	0	Неприм.
37	Настройка отображения температуры в помещении	Неприм.	Доступно	-	-	-	-	-	-	0	Неприм.
38	Настройка отображения расчетной температуры приточного воздуха	Неприм.	Доступно	-	-	-	-	-	-	0	Неприм.
39	Настройка КПД теплообмена (десятки)	Настройки от 0 до 9 --> Десятки значения КПД теплообмена от 0 до 9							7	Неприм.	
40	Настройка КПД теплообмена (единицы)	Настройки от 0 до 9 --> Единицы значения КПД теплообмена от 0 до 9							0	Неприм.	
*41	Коррекция наружной температуры	Настройки от 0 до 14 --> Коррекция наружной температуры от -7 °C до 7 °C							7	Неприм.	
*42	Коррекция температуры в помещении	Настройки от 0 до 14 --> Коррекция температуры в помещении от -7 °C до 7 °C							7	Неприм.	
*51	Настройка автоматического режима вентиляции	Приоритет DIP-SW	Модель А	Модель В	Произвольная настройка	-	-	-	-	0	2-7
*52	Настройка автоматического режима вентиляции 1) Разность температур воздуха снаружи и внутри помещения	Настройки от 0 до 7 --> Разность температур от 0 °C до 7 °C							0	Неприм.	
*53	Настройка автоматического режима вентиляции 2) Минимальная наружная температура	Настройки от 0 до 15 --> Минимальная наружная температура от 10 °C до 25 °C							6	Неприм.	
*54	Настройка автоматического режима вентиляции 3) Настройка минимальной температуры в помещении	Настройки от 0 до 15 --> Минимальная температура в помещении от 15 °C до 30 °C							1	Неприм.	
*55	Настройка повышения скорости приточного вентилятора	Неприм.	Повышение на 1 уровень	Повышение на 2 уровня	Повышение на 3 уровня	Повышение на 4 уровня	-	-	-	0	Неприм.
*56	Настройка повышения скорости вытяжного вентилятора	Неприм.	Повышение на 1 уровень	Повышение на 2 уровня	Повышение на 3 уровня	Повышение на 4 уровня	-	-	-	0	Неприм.
57	Синхронизация выхода монитора работы с вытяжным вентилятором или приточным вентилятором	Приоритет DIP-SW	Выход монитора вытяжного вентилятора	Выход монитора приточного вентилятора	Монитор приточного вентилятора с задержкой включения	-	-	-	-	0	2-8 5-2
58	Настройка выхода монитора обхода или предварительного нагревателя	Приоритет DIP-SW	Выход монитора обхода	Выход монитора работы предварительного нагревателя	-	-	-	-	-	0	5-6
*59	Настройка выхода предварительного нагревателя 1) Температура включения	0 °C	-1 °C	-2 °C	-3 °C	-4 °C	-5 °C	-6 °C	-7 °C	0	Неприм.
*60	Настройка выхода предварительного нагревателя 2) Интервал выключения	1 час	2 часа	3 часа	4 часа	5 часов	-	-	-	0	Неприм.
*61	Скорость вентилятора для входа «Высокий» объема воздуха	Приоритет DIP-SW	Скорость вентилятора 4	Скорость вентилятора 3	-	-	-	-	-	0	2-9
*62	Скорость вентилятора для входа «Низкий» объема воздуха	Приоритет DIP-SW	Скорость вентилятора 2	Скорость вентилятора 1	-	-	-	-	-	0	2-10
*63	Настройка внешнего входа скорости вентилятора (0–10 В пост. тока)	Приоритет DIP-SW	Неприм.	Модель X	Модель Y	Модель Z	-	-	-	0	2-3 2-6
100	Инициализация	-	Инициализировать	-	-	-	-	-	-	0	Неприм.

Данная таблица содержит краткое описание настроек функций. Более подробное описание приведено на последующих страницах.

Функции, обозначенные символом *, являются новыми или измененными по сравнению с серией Lossnay LGH-RX5-E.

Функции, обозначенные «неприм.» в столбце «№ DIP-SW», доступны только при использовании с контроллером дистанционного управления PZ-61DR-E.

Настройка функций (продолжение)

№ 1 Настройка обслуживания и повышения скорости вентилятора во избежание засорения

Настройка графика очистки фильтра на основе оценки концентрации пыли в воздухе. При необходимости повышения скорости вентилятора скорости вытяжного и приточного вентиляторов постепенно повышаются после 1000 часов и 2000 часов. Если уже сработала функция № 55 или № 56, повышение скорости вентилятора может быть недоступно. Оценка времени зависит от фактической скорости вентилятора.

DIP-SW		Проверка настройки	PZ-61DR-E		Проверка настройки	Индикатор обслуживания фильтра	Повышение скорости вентилятора	
№ перекл.	Настройка		№ функции	Настройки				
SW5-5	-	-	1	0 (Настройка изготовителя)		Приоритет DIP-SW		
	-	-		1		Индикация примерно при 3000 часах		Неприм.
	Выкл (Настройка изготовителя)			2		Неприм.		Неприм.
	Вкл			3		Индикация примерно при 3000 часах		Доступно

ВНИМАНИЕ

- Если настройка общего времени работы Lossnay будет превышена, на контроллере дистанционного управления внутренним блоком или на контроллере дистанционного управления Lossnay появится значок очистки фильтра. После очистки фильтра значок очистки фильтра можно сбросить. См. Руководство контроллера дистанционного управления.

№ 2 Настройка индикатора обслуживания теплообменника Lossnay

Установите, чтобы разрешить индикацию необходимости обслуживания теплообменника Lossnay. Оценка времени зависит от фактической скорости вентилятора. Эта функция недоступна при использовании переключателя DIP-SW блока Lossnay.

DIP-SW		Проверка настройки	PZ-61DR-E		Проверка настройки	Индикатор обслуживания теплообменника Lossnay
№ перекл.	Настройка		№ функции	Настройки		
Неприм.	-	-	2	0 (Настройка изготовителя)		Неприм.
	-	-		1		Индикация примерно при 6000 часах

№ 5 Настройка автоматического восстановления после прерывания питания

Настройки для автоматического возобновления после прерывания питания.

DIP-SW		Проверка настройки	PZ-61DR-E		Проверка настройки	Автоматическое восстановление
№ перекл.	Настройка		№ функции	Настройки		
SW5-4	-	-	5	0 (Настройка изготовителя)		Приоритет DIP-SW
	Выкл (Настройка изготовителя)			1		Остановка при подаче питания
	-	-		2		Запуск при подаче питания
	Вкл			3		Блок Lossnay возвращается в состояние, предшествующее прерыванию

№ 6 Настройка давления ниже атмосферного в помещении

Скорость вытяжного вентилятора превышает скорость приточного вентилятора. На контроллере дистанционного управления указывается скорость вытяжного вентилятора.

Отображение скорости вентилятора	Вытяжной вентилятор	Приточный вентилятор	
		1 уровень ниже	2 уровня ниже
4	4	3	2
3	3	2	1
2	2	1	1
1	1	1	1

DIP-SW		Проверка настройки	PZ-61DR-E		Проверка настройки	Уровень снижения скорости приточного вентилятора
№ перекл.	Настройка		№ функции	Настройки		
SW2-4	-	-	6	0 (Настройка изготовителя)		Приоритет DIP-SW
	Выкл (Настройка изготовителя)			1		Неприм.
	Вкл			2		Скорость приточного вентилятора на 1 уровень ниже скорости вытяжного вентилятора
	-	-		3		Скорость приточного вентилятора на 2 уровня ниже скорости вытяжного вентилятора

№ 7 Настройка давления выше атмосферного в помещении

Скорость приточного вентилятора превышает скорость вытяжного вентилятора. На контроллере дистанционного управления указывается скорость приточного вентилятора.

Отображение скорости вентилятора	Приточный вентилятор	Вытяжной вентилятор	
		1 уровень ниже	2 уровня ниже
4	4	3	2
3	3	2	1
2	2	1	1
1	1	1	1

DIP-SW		Проверка настройки	PZ-61DR-E		Проверка настройки	Уровень снижения скорости вытяжного вентилятора
№ перекл.	Настройка		№ функции	Настройки		
SW2-5	-	-	7	0 (Настройка изготовителя)		Приоритет DIP-SW
	Выкл (Настройка изготовителя)			1		Неприм.
	Вкл			2		Скорость вытяжного вентилятора на 1 уровень ниже скорости приточного вентилятора
	-	-		3		Скорость вытяжного вентилятора на 2 уровня ниже скорости приточного вентилятора

№ 8 Настройка макс. скорости вентилятора для первых 30 мин

Данная настройка включает вентилятор принудительно на 30 минут в начале работы для вентиляции помещения. Скорость вентилятора можно изменить спустя 30 минут. Используйте данную настройку, если воздух в помещении загрязняется ночью, когда система отключена, и необходимо быстро выполнить вентиляцию помещения при запуске системы утром. Эта функция недоступна при использовании переключателя DIP-SW блока Lossnay. Во время работы этой функции на PZ-61DR-E отображается значок и выбранная скорость вентилятора.

DIP-SW		Проверка настройки	PZ-61DR-E		Проверка настройки	Настройка макс. скорости вентилятора для первых 30 мин
№ перекл.	Настройка		№ функции	Настройки		
Неприм.	-	-	8	0 (Настройка изготовителя)		Неприм.
	-	-		1		Доступно

№ 9 Настройка отложенного запуска кондиционера

Задержка в работе Lossnay на 30 минут при запуске работы систем City Multi или Mr. Slim или при запуске работы внешнего устройства. Эта функция доступна только при связанной работе блока Lossnay и кондиционеров воздуха. Эта функция недоступна в ночном режиме.

DIP-SW		Проверка настройки	PZ-61DR-E		Проверка настройки	Отложенный запуск блока Lossnay
№ перекл.	Настройка		№ функции	Настройки		
SW5-1	-	-	9	0 (Настройка изготовителя)		Приоритет DIP-SW
	Выкл (Настройка изготовителя)			1		Неприм.
	-	-		2		15 мин
	Вкл			3		30 мин

№ 13 Настройка вытяжного вентилятора при размораживании кондиционера

Эту функцию можно использовать при условии соединения приточного трубопровода блока Lossnay с внутренним блоком Mr. Slim или City Multi. Устанавливает работу вытяжного вентилятора во время размораживания кондиционера (при остановленном приточном вентиляторе). Для включения этой функции необходимо также установить переключатель DIP-SW внутреннего блока. См. данное руководство.

DIP-SW		Проверка настройки	PZ-61DR-E		Проверка настройки	Работа вытяжного вентилятора при размораживании кондиционера
№ перекл.	Настройка		№ функции	Настройки		
SW5-3	-	-	13	0 (Настройка изготовителя)		Приоритет DIP-SW
	Вкл			1		Остановка
	Выкл (Настройка изготовителя)			2		Без изменения

Настройка функций (продолжение)

№ 14 Настройка вытяжного вентилятора при температуре наружного воздуха ниже -15 °C

Устанавливает работу вытяжного вентилятора, когда температура наружного воздуха ниже -15 °C (при остановленном приточном вентиляторе).

DIP-SW		Проверка настройки	PZ-61DR-E		Проверка настройки	Работа вытяжного вентилятора при температуре -15 °C или ниже
№ перекл.	Настройка		№ функции	Настройки		
SW5-3 SW5-9	-	-	14	0 (Настройка изготовителя)		Приоритет DIP-SW
	5-3 Выкл 5-9 Вкл			1		Остановка
	5-3 Вкл 5-9 Выкл			2		Принудительная установка скорости вентилятора 2 или более низкой*
	5-3 Выкл 5-9 Выкл (Настройка изготовителя)			3		Без изменения
	5-3 Вкл 5-9 Вкл					

* Если блок Lossnay работает со скоростью вентилятора 1, скорость вытяжного вентилятора поддерживается равной 1. Для настройки функций № 13 и № 14 используется переключатель DIP-SW 5-3, поэтому их невозможно установить независимо без контроллера PZ-61DR-E.

№ 15 Настройка режима связанной работы

Эти настройки определяют работу блока Lossnay при запуске или остановке внешних устройств.

DIP-SW		Проверка настройки	PZ-61DR-E		Проверка настройки	Настройка связанной работы
№ перекл.	Настройка		№ функции	Настройки		
SW5-7 SW5-8	-	-	15	0 (Настройка изготовителя)		Приоритет DIP-SW
	5-7 Выкл 5-8 Выкл (Настройка изготовителя)			1		Блок Lossnay будет запускаться и останавливаться в соответствии с работой внешних устройств. Последующая работа будет возможна с использованием контроллера дистанционного управления Lossnay или MELANS.
	5-7 Вкл 5-8 Выкл			2		Блок Lossnay будет запускаться при запуске внешних устройств. Блок Lossnay можно будет остановить при помощи контроллера дистанционного управления или системы MELANS.
	5-7 Выкл 5-8 Вкл			3		Блок Lossnay будет останавливаться при остановке внешних устройств. Блок Lossnay можно будет запустить при помощи контроллера дистанционного управления или системы MELANS.
	5-7 Вкл 5-8 Вкл			4		Блок Lossnay будет запускаться и останавливаться в соответствии с работой внешних устройств. Управление с помощью контроллера дистанционного управления Lossnay или MELANS будет возможно только при остановленных внешних устройствах.

№ 28 Настройка импульсного входа

Установите тип внешнего входного сигнала от внешнего устройства, подаваемого к TM2.

DIP-SW		Проверка настройки	PZ-61DR-E		Проверка настройки	Настройка импульсного входа
№ перекл.	Настройка		№ функции	Настройки		
SW2-2	-	-	28	0 (Настройка изготовителя)		Приоритет DIP-SW
	Выкл (Настройка изготовителя)			1		НЕ импульсный вход
	Вкл			2		Импульсный вход

№ 30 Настройка ночного режима 1) Объем воздуха

Установите скорость вентилятора в ночном режиме. Для использования ночного режима необходимо правильно установить функции № 30, № 31, № 32.

Эта функция недоступна при использовании переключателя DIP-SW блока Lossnay.

DIP-SW		Проверка настройки	PZ-61DR-E		Проверка настройки	Настройка ночного режима 1) Объем воздуха
№ перекл.	Настройка		№ функции	Настройки		
Неприм.	-	-	30	0 (Настройка изготовителя)		Неприм. (функция ночного режима недоступна)
	-	-		1		Скорость вентилятора 1
	-	-		2		Скорость вентилятора 2
	-	-		3		Скорость вентилятора 3
	-	-		4		Скорость вентилятора 4

№ 31 Настройка ночного режима 2) Разность температур воздуха снаружи и внутри помещения

Установите одно из условий запуска ночного режима — разницу между температурой внутри и снаружи помещения.

Когда фактическая разница между температурой внутри и снаружи помещения превысит эту настройку, включится ночной режим.

Эта функция недоступна при использовании переключателя DIP-SW блока Lossnay.

DIP-SW		Проверка настройки	PZ-61DR-E		Проверка настройки	Температура внутри помещения - температура снаружи помещения
№ перекл.	Настройка		№ функции	Настройки		
Неприм.	-	-	31	0		0 °C или более
	-	-		1		1 °C или более
	-	-		2		2 °C или более
	-	-		3		3 °C или более
	-	-		4		4 °C или более
	-	-		5 (Настройка изготовителя)		5 °C или более
	-	-		6		6 °C или более
	-	-		7		7 °C или более

№ 32 Настройка ночного режима 3) Пороговое значение наружной температуры

Установите одно из условий запуска ночного режима – максимальную наружную температуру за последние часы работы в режиме № 33.

При установке низкой температуры для этой настройки высока вероятность запуска ночного режима.

Эта функция недоступна при использовании переключателя DIP-SW блока Lossnay.

DIP-SW		Проверка настройки	PZ-61DR-E		Проверка настройки	Максимальную наружную температуру за последние часы работы в режиме № 33.
№ перекл.	Настройка		№ функции	Настройки		
Неприм.	-	-	32	0		15 °C или более
	-	-		1		16 °C или более
	-	-		2 (Настройка изготовителя)		17 °C или более
	-	-		3		18 °C или более
	-	-		4		19 °C или более
	-	-		5		20 °C или более
	-	-		6		21 °C или более
	-	-		7		22 °C или более
	-	-		8		23 °C или более
	-	-		9		24 °C или более
	-	-		10		25 °C или более
	-	-		11		26 °C или более
	-	-		12		27 °C или более
	-	-		13		28 °C или более
	-	-		14		29 °C или более
-	-	15	30 °C или более			

Настройка функций (продолжение)

№ 33 Настройка ночного режима 4 Время запоминания

Установите одно из условий запуска ночного режима – время запоминания порогового значения наружной температуры. Например, для ежедневной работы блока Lossnay установите значение «24 hrs» (factory setting) («24 hrs» (настройка изготовителя)). При условии отключения блока Lossnay на выходные установите значение «72 hrs». Таким образом блок Lossnay запустит ночной режим в понедельник утром. Эта функция недоступна при использовании переключателя DIP-SW блока Lossnay.

DIP-SW			PZ-61DR-E		Проверка настройки	Время запоминания
№ перекл.	Настройка	Проверка настройки	№ функции	Настройки		
Неприм.	-	-	33	0 (Настройка изготовителя)		24 часа
	-	-		1		48 часа
	-	-		2		72 часа

№ 34 Настройки приоритета входов

Устанавливает приоритет входа основного блока от кондиционера воздуха, контроллера скорости вентилятора и т. д. Эта функция недоступна при использовании переключателя DIP-SW блока Lossnay.

DIP-SW			PZ-61DR-E		Проверка настройки	Настройки приоритета входов
№ перекл.	Настройка	Проверка настройки	№ функции	Настройки		
Неприм.	-	-	34	0 (Настройка изготовителя)		Приоритет входа основного блока
	-	-		1		Приоритет отдельного входа

№ 36 Настройка отображения наружной температуры

Установите отображение наружной температуры, измеренной термистором блока Lossnay. Эта функция недоступна при использовании переключателя DIP-SW блока Lossnay.

DIP-SW			PZ-61DR-E		Проверка настройки	Отображение наружной температуры
№ перекл.	Настройка	Проверка настройки	№ функции	Настройки		
Неприм.	-	-	36	0 (Настройка изготовителя)		Неприм.
	-	-		1		Отображать на экране PZ-61DR-E

№ 37 Настройка отображения температуры в помещении

Установите отображение температуры внутри помещения, измеренной термистором блока Lossnay. Эта функция недоступна при использовании переключателя DIP-SW блока Lossnay.

DIP-SW			PZ-61DR-E		Проверка настройки	Отображение температуры в помещении
№ перекл.	Настройка	Проверка настройки	№ функции	Настройки		
Неприм.	-	-	37	0 (Настройка изготовителя)		Неприм.
	-	-		1		Отображать на экране PZ-61DR-E

№ 38 Настройка отображения расчетной температуры приточного воздуха

Установите отображение расчетной температуры приточного воздуха. Эта функция недоступна при использовании переключателя DIP-SW блока Lossnay.

DIP-SW			PZ-61DR-E		Проверка настройки	Отображение расчетной температуры приточного воздуха
№ перекл.	Настройка	Проверка настройки	№ функции	Настройки		
Неприм.	-	-	38	0 (Настройка изготовителя)		Неприм.
	-	-		1		Отображать на экране PZ-61DR-E

№ 39, 40 Настройка КПД теплообмена

Установите десятки значения КПД теплообмена для использования при вычислении температуры приточного воздуха. Эта функция недоступна при использовании переключателя DIP-SW блока Lossnay.

DIP-SW			PZ-61DR-E		Проверка настройки	Десятки значения КПД теплообмена
№ перекл.	Настройка	Проверка настройки	№ функции	Настройки		
Неприм.	-	-	39	0		0
	-	-		1		1
	-	-		2		2
	-	-		3		3
	-	-		4		4
	-	-		5		5
	-	-		6		6
	-	-		7 (Настройка изготовителя)		7
	-	-		8		8
-	-	9	9			

DIP-SW			PZ-61DR-E		Проверка настройки	Единицы значения КПД теплообмена
№ перекл.	Настройка	Проверка настройки	№ функции	Настройки		
Неприм.	-	-	40	0 (Настройка изготовителя)		0
	-	-		1		1
	-	-		2		2
	-	-		3		3
	-	-		4		4
	-	-		5		5
	-	-		6		6
	-	-		7		7
	-	-		8		8
-	-	9	9			

№ 41 Коррекция наружной температуры

Установите коррекцию для наружной температуры, отображаемой на экране PZ-61DR-E с использованием функции № 36. Эта функция недоступна при использовании переключателя DIP-SW блока Lossnay.

DIP-SW			PZ-61DR-E		Проверка настройки	Коррекция значения, измеренного термистором
№ перекл.	Настройка	Проверка настройки	№ функции	Настройки		
Неприм.	-	-	41	0		-7 °C
	-	-		1		-6 °C
	-	-		2		-5 °C
	-	-		3		-4 °C
	-	-		4		-3 °C
	-	-		5		-2 °C
	-	-		6		-1 °C
	-	-		7 (Настройка изготовителя)		0 °C
	-	-		8		+1 °C
	-	-		9		+2 °C
	-	-		10		+3 °C
	-	-		11		+4 °C
	-	-		12		+5 °C
	-	-		13		+6 °C
-	-	14	+7 °C			

Настройка функций (продолжение)

№ 42 Коррекция температуры в помещении

Установите коррекцию для температуры внутри помещения, отображаемой на экране PZ-61DR-E с использованием функции № 37. Эта функция недоступна при использовании переключателя DIP-SW блока Lossnay.

DIP-SW		Проверка настройки	PZ-61DR-E		Проверка настройки	Коррекция значения, измеренного термистором
№ перекл.	Настройка		№ функции	Настройки		
Неприм.	-	-	42	0	-7 °C	
	-	-		1	-6 °C	
	-	-		2	-5 °C	
	-	-		3	-4 °C	
	-	-		4	-3 °C	
	-	-		5	-2 °C	
	-	-		6	-1 °C	
	-	-		7 (Настройка изготовителя)	0 °C	
	-	-		8	+1 °C	
	-	-		9	+2 °C	
	-	-		10	+3 °C	
	-	-		11	+4 °C	
	-	-		12	+5 °C	
	-	-		13	+6 °C	
-	-	14	+7 °C			

№ 51 Настройка автоматического режима вентиляции

Установите модель условий для перехода в обходной режим при работе в режиме автоматической вентиляции. Если с помощью PZ-61DR-E установлено значение «3», функции № 52, № 53 и № 54 недоступны.

DIP-SW		Проверка настройки	PZ-61DR-E		Проверка настройки	Условия для перехода в обходной режим
№ перекл.	Настройка		№ функции	Настройки		
SW2-7	-	-	51	0 (Настройка изготовителя)		Приоритет DIP-SW
	ВЫКЛ (Настройка изготовителя)			1	Модель А Температура внутри помещения 16 °C или выше Наружная температура 16 °C или выше Температура внутри помещения - температура снаружи помещения ≥ 0 °C	
	ВКЛ			2	Модель В Температура внутри помещения 22 °C или выше Наружная температура 18 °C или выше Температура внутри помещения - температура снаружи помещения ≥ 2 °C	
	-	-		3	Произвольная настройка	

* Вероятность перехода в режим обхода для модели А выше, чем для модели В.

Примечание:

Режим вентиляции соответствует следующей таблице.

Контроллер дистанционного управления	Связанный кондиционер воздуха (Mr. Slim или City Multi)	Lossnay
Режим вентиляции с возвратом тепла	Да или Нет	Режим вентиляции с возвратом тепла
Режим обходной вентиляции		Режим обходной вентиляции
Автоматический	Охлаждение/остановка	Автоматический (в соответствии со схемой)
	Отличный от указанных выше	Всегда режим вентиляции с возвратом тепла

№ 52 Настройка автоматического режима вентиляции 1) Разность температур воздуха снаружи и внутри помещения

Установите одно из условий запуска обходного режима в режиме автоматической вентиляции - разницу между температурой внутри и снаружи помещения. Эта функция недоступна при использовании переключателя DIP-SW блока Lossnay. Эта функция доступна только при установке значения 3 для функции № 51.

DIP-SW		Проверка настройки	PZ-61DR-E		Проверка настройки	Температура внутри помещения - температура снаружи помещения
№ перекл.	Настройка		№ функции	Настройки		
Неприм.	-	-	52	0 (Настройка изготовителя)		0 °C или более
	-	-		1	1 °C или более	
	-	-		2	2 °C или более	
	-	-		3	3 °C или более	
	-	-		4	4 °C или более	
	-	-		5	5 °C или более	
	-	-		6	6 °C или более	
-	-	7	7 °C или более			

№ 53 Настройка автоматического режима вентиляции 2) Минимальная наружная температура

Установите одно из условий запуска обходного режима в режиме автоматической вентиляции - минимальную температуру наружного воздуха, который непосредственно поступает в помещение. Эта функция недоступна при использовании переключателя DIP-SW блока Lossnay. Эта функция доступна только при установке значения 3 для функции № 51.

DIP-SW		Проверка настройки	PZ-61DR-E		Проверка настройки	Наружная температура
№ перекл.	Настройка		№ функции	Настройки		
Неприм.	-	-	53	0	10 °C или более	
	-	-		1	11 °C или более	
	-	-		2	12 °C или более	
	-	-		3	13 °C или более	
	-	-		4	14 °C или более	
	-	-		5	15 °C или более	
	-	-		6 (Настройка изготовителя)	16 °C или более	
	-	-		7	17 °C или более	
	-	-		8	18 °C или более	
	-	-		9	19 °C или более	
	-	-		10	20 °C или более	
	-	-		11	21 °C или более	
	-	-		12	22 °C или более	
	-	-		13	23 °C или более	
	-	-		14	24 °C или более	
-	-	15	25 °C или более			

Настройка функций (продолжение)

№ 54 Настройка автоматического режима вентиляции 3) Настройка минимальной температуры в помещении

Установите одно из условий запуска обходного режима в режиме автоматической вентиляции - минимальную температуру воздуха в помещении.

Эта функция недоступна при использовании переключателя DIP-SW блока Lossnay.

Эта функция доступна только при установке значения 3 для функции № 51.

Если блок Lossnay связан с внутренним блоком Mr. Slim или City Multi, целевая температура внутреннего блока является минимальной температурой внутри помещения для обходного режима

DIP-SW			PZ-61DR-E			Температура внутри помещения
№ перекл.	Настройка	Проверка настройки	№ функции	Настройки	Проверка настройки	
Неприм.	-	-	54	0	-	15 °C или более
	-	-		1 (Настройка из-готовителя)	-	16 °C или более
	-	-		2	-	17 °C или более
	-	-		3	-	18 °C или более
	-	-		4	-	19 °C или более
	-	-		5	-	20 °C или более
	-	-		6	-	21 °C или более
	-	-		7	-	22 °C или более
	-	-		8	-	23 °C или более
	-	-		9	-	24 °C или более
	-	-		10	-	25 °C или более
	-	-		11	-	26 °C или более
	-	-		12	-	27 °C или более
	-	-		13	-	28 °C или более
	-	-		14	-	29 °C или более
-	-	15	-	30 °C или более		

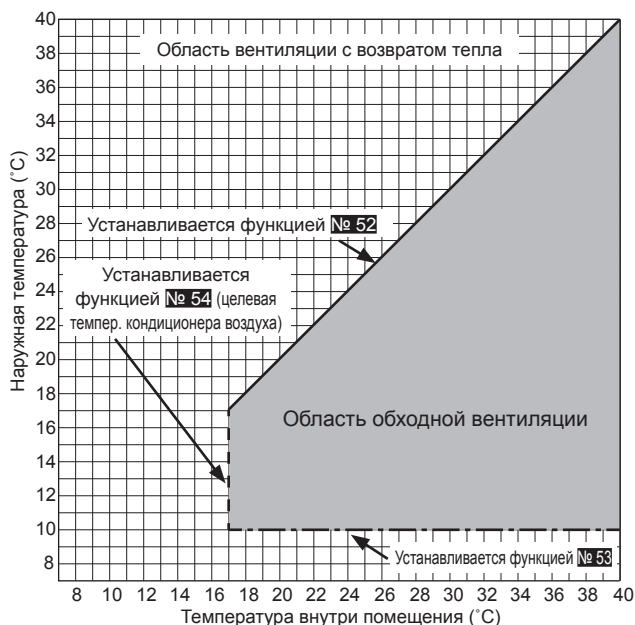
Произвольная настройка обходного режима

Пользователь может установить условия для перехода в обходной режим при работе в режиме автоматической вентиляции с помощью функций № 52, № 53 и № 54.

Примеры настроек приведены ниже.

Пример 1*

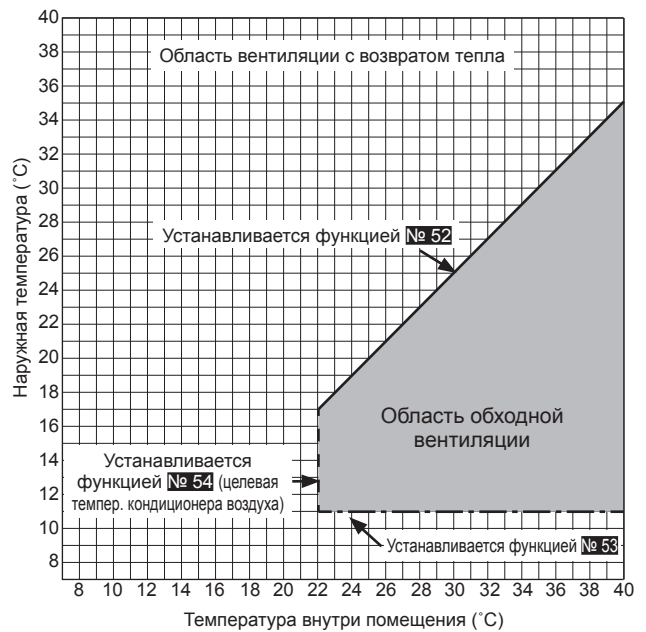
Схема обходного режима / вентиляции с возвратом тепла в режиме автоматической вентиляции



№ функции	Настройки
52	0 (0 °C)
53	0 (10 °C)
54	2 (17 °C)

Пример 2

Схема обходного режима / вентиляции с возвратом тепла в режиме автоматической вентиляции



№ функции	Настройки
52	5 (5 °C)
53	1 (11 °C)
54	7 (22 °C)

При установке небольшого значения для функции № 53 с применением функции предварительного подогрева температура наружного воздуха может определяться как более высокая, и режим может переключаться на обходной даже зимой. Установите настройку в 16 °C или более или используйте режим вентиляции с возвратом тепла.

№ 55, 56 Настройка повышения скорости приточного вентилятора Настройка повышения скорости вытяжного вентилятора

Используйте эти функции при необходимости увеличения объемов воздуха после установки.

Функция № 55 предназначена для повышения скорости приточного вентилятора, а функция № 56 — вытяжного вентилятора.

Если функция № 1 включена и скорость вентилятора достигла максимальной скорости, эта функция будет недоступна.

Эти функции недоступны при использовании переключателя DIP-SW блока Lossnay.

DIP-SW			PZ-61DR-E			Повышение скорости приточного вентилятора
№ перекл.	Настройка	Проверка настройки	№ функции	Настройки	Проверка настройки	
Неприм.	-	-	55	0 (Настройка из-готовителя)	-	Неприм.
	-	-		1	-	Повышение на 1 уровень
	-	-		2	-	Повышение на 2 уровня
	-	-		3	-	Повышение на 3 уровня
	-	-		4	-	Повышение на 4 уровня

DIP-SW			PZ-61DR-E			Повышение скорости вытяжного вентилятора
№ перекл.	Настройка	Проверка настройки	№ функции	Настройки	Проверка настройки	
Неприм.	-	-	56	0 (Настройка из-готовителя)	-	Неприм.
	-	-		1	-	Повышение на 1 уровень
	-	-		2	-	Повышение на 2 уровня
	-	-		3	-	Повышение на 3 уровня
	-	-		4	-	Повышение на 4 уровня

Настройка функций (продолжение)

№ 57 Синхронизация выхода монитора работы с вытяжным вентилятором или приточным вентилятором

Установите синхронизацию выхода монитора работы от ТМЗ 9 10 с вытяжным вентилятором или приточным вентилятором. Также возможна установка задержки включения приточного вентилятора, например для нагревателя второго подогрева.

DIP-SW			PZ-61DR-E			Выход монитора работы от ТМЗ 9 10
№ перекл.	Настройка	Проверка настройки	№ функции	Настройки	Проверка настройки	
SW2-8 SW5-2	-	-	57	0 (Настройка изготовителя)		Приоритет DIP-SW
	2-8 Выхл 5-2 Выхл (Настройка изготовителя)			1		Выход монитора вытяжного вентилятора
	2-8 Выхл 5-2 Выхл			2		Выход монитора приточного вентилятора * Когда приточный вентилятор останавливается при низкой наружной температуре или для размораживания, выход отключается.
	2-8 Выхл (или 5-2 Выхл или Выхл)			3		Выход монитора работы синхронизирован с приточным вентилятором следующим образом. Включение выхода через 10 секунд после включения приточного вентилятора. Приточный вентилятор продолжает работу в течение 3 минут после включения выхода.

Для использования SW2-8 в качестве нагревателя второго подогрева соблюдайте предостережения, приведенные в п. 4 на стр. 11.

№ 58 Настройка выхода монитора обхода или предварительного нагревателя

Установите синхронизацию выхода монитора обхода или монитора предварительного нагревателя от ТМЗ 7 10 с вытяжным вентилятором или приточным вентилятором.

DIP-SW			PZ-61DR-E			Настройка выхода от ТМЗ 7 10
№ перекл.	Настройка	Проверка настройки	№ функции	Настройки	Проверка настройки	
SW5-6	-	-	58	0 (Настройка изготовителя)		Приоритет DIP-SW
	Выкл (Настройка изготовителя)			1		Выход монитора работы обходной вентиляции. Соответствует выходу режима работы заслонки обходного режима.
	Вкл			2		Выход предварительного нагревателя. Соответствует выходу работы приточного вентилятора следующим образом. Включение выхода через 10 секунд после включения приточного вентилятора. Вентилятор продолжает работу в течение 3 минут после включения выхода. Блок Lossnay запускается при наружной температуре 0 °C или ниже и останавливается при измерении температуры 15 °C. Блок Lossnay выключает выход каждый час. Код ошибки отображается на контроллере дистанционного управления и выключает выход в следующих случаях. 1) TH1 обнаруживает температуру 15 °C в течение 15 минут после запуска выхода. 2) TH1 обнаруживает температуру -10 °C или ниже в течение 60 минут после запуска выхода.

- Для выбора нагревателя соблюдайте предостережения, приведенные в п. 4 на стр. 11.
- В режиме автоматической вентиляции с применением функции предварительного подогрева температура наружного воздуха может определяться как более высокая, и режим может переключаться на обходной даже зимой.
- При включенном предварительном нагревателе блок Lossnay не переключается на скорость вентилятора 1. Даже если контроллер дистанционного управления отображает скорость вентилятора 1, блок Lossnay работает на скорости вентилятора 2.

№ 59 Настройка выхода предварительного нагревателя 1) Температура включения

Установите наружную температуру для включения выхода предварительного нагревателя. Если измеренная температура становится равной или опускается ниже этой температуры, включается выход предварительного нагревателя от ТМЗ 7 10. Эта функция недоступна при использовании переключателя DIP-SW блока Lossnay.

DIP-SW			PZ-61DR-E			Наружная температура для включения выхода предварительного нагревателя
№ перекл.	Настройка	Проверка настройки	№ функции	Настройки	Проверка настройки	
Неприм.	-	-	59	0 (Настройка изготовителя)		0 °C или ниже
	-	-		1		-1 °C или ниже
	-	-		2		-2 °C или ниже
	-	-		3		-3 °C или ниже
	-	-		4		-4 °C или ниже
	-	-		5		-5 °C или ниже
	-	-		6		-6 °C или ниже
-	-	7		-7 °C или ниже		

№ 60 Настройка выхода предварительного нагревателя 2) Интервал выключения

Установите интервал выхода предварительного нагревателя. Выход выключается в соответствии с установленными часами.

DIP-SW			PZ-61DR-E			Интервал выключения выхода предварительного нагревателя
№ перекл.	Настройка	Проверка настройки	№ функции	Настройки	Проверка настройки	
Неприм.	-	-	60	0 (Настройка изготовителя)		1 час
	-	-		1		2 часа
	-	-		2		3 часа
	-	-		3		4 часа
	-	-		4		5 часов

№ 61 Скорость вентилятора для входа «Высокий» объема воздуха

Установите скорость вентилятора при получении от контроллеров дистанционного управления (например, контроллера дистанционного управления City Multi и Mr. Slim, простого контроллера дистанционного управления Lossnay), имеющими настройки объема воздуха Высокий/ Низкий или Высокий/Средний/Низкий, сигнала «Высокий».

DIP-SW			PZ-61DR-E			Рабочая скорость вентилятора
№ перекл.	Настройка	Проверка настройки	№ функции	Настройки	Проверка настройки	
SW2-9	-	-	61	0 (Настройка изготовителя)		Приоритет DIP-SW
	Выкл (Настройка изготовителя)			1		Скорость вентилятора 4
	Вкл			2		Скорость вентилятора 3

№ 62 Скорость вентилятора для входа «Низкий» объема воздуха

Установите скорость вентилятора при получении от контроллеров дистанционного управления (например, контроллера дистанционного управления City Multi и Mr. Slim, простого контроллера дистанционного управления Lossnay), имеющими настройки объема воздуха Высокий/ Низкий, сигнала «Низкий».

DIP-SW			PZ-61DR-E			Рабочая скорость вентилятора
№ перекл.	Настройка	Проверка настройки	№ функции	Настройки	Проверка настройки	
SW2-10	-	-	62	0 (Настройка изготовителя)		Приоритет DIP-SW
	Выкл (Настройка изготовителя)			1		Скорость вентилятора 2
	Вкл			2		Скорость вентилятора 1

Настройка функций (продолжение)

№ 63 Настройка внешнего входа скорости вентилятора (0–10 В пост. тока)

Установите настройку внешнего входа скорости вентилятора.

DIP-SW		Проверка настройки	PZ-61DR-E		Проверка настройки	Внешнее управление скоростью вентилятора с помощью CN26
№ перекл.	Настройка		№ функции	Настройки		
SW2-3 SW2-6	-	-	63	0 (Настройка изготовителя)		Приоритет DIP-SW
	2-3 Вкл 2-6 Вкл (Настройка изготовителя)			1		Внешнее управление скоростью вентилятора недоступно.
	2-3 Вкл 2-6 Вкл			2		См. модель X
	2-3 Вкл 2-6 Вкл			3		См. модель Y
	2-3 Вкл 2-6 Вкл			4		См. модель Z

Блок Lossnau изменяет скорость вентилятора в соответствии с входным напряжением на CN26.

При выборе модели X или Y изменение скорости вентилятора с помощью контроллеров дистанционного управления будет невозможно.

(Внешний вход имеет более высокий приоритет)

[Модель X]

Если входное напряжение превышает 6,0 В пост. тока, блок Lossnau работает со скоростью вентилятора 4 (максимальный объем воздуха).

При напряжении ниже 6,0 В пост. тока, блок Lossnau работает с более низкой скоростью вентилятора. (Пример подключения: при использовании датчика CO₂, диапазон 0–10 В пост. тока которого соответствует 0–2000 промилле, 6,0 В пост. тока соответствует 1200 промилле)

[Модель Y]

Если входное напряжение превышает 5,0 В пост. тока, блок Lossnau работает со скоростью вентилятора 4 (максимальный объем воздуха).

При напряжении ниже 5,0 В пост. тока, блок Lossnau работает с более низкой скоростью вентилятора. (Пример подключения: при использовании датчика CO₂, диапазон 0–10 В пост. тока которого соответствует 0–2000 промилле, 5,0 В пост. тока соответствует 1000 промилле)

[Модель Z]

Блок Lossnau изменяет скорость вентилятора в соответствии со следующей таблицей. (Пример подключения: BMS (система управления зданием))

Входное напряжение [В пост. тока]	Скорость вентилятора	Изменение скорости вентилятора с помощью контроллера дистанционного управления
0–1,0	-	Доступно
1,5–2,5	1	Недоступно
3,5–4,5	2	Недоступно
5,5–7	3	Недоступно
8,5–10	4	Недоступно

Если входное напряжение находится между указанными диапазонами, блок может работать неустойчиво.

№ 100 Инициализация

Установите, чтобы инициализировать настройки контроллера дистанционного управления PZ-61DR-E.

Все настройки, установленные пользователями, отменяются.

DIP-SW		Проверка настройки	PZ-61DR-E		Проверка настройки	Инициализация
№ перекл.	Настройка		№ функции	Настройки		
Неприм.	-	-	100	0		Неприм.
	-	-		1		Доступно

Проверки после монтажа

После монтажа повторно проведите перечисленные ниже проверки. При обнаружении проблем их необходимо устранить.

- (1) Проверки - монтаж блока
- Изоляция намотана на наружных трубопроводах? [См. монтаж блока Lossnay] стр. 5
 - Наружные трубопроводы установлены правильно? [См. примеры установки] стр. 5
- (2) Проверка - электропроводка
- Напряжение питания соответствует номинальному? [См. электрическую схему] стр. 7-8
 - Электропроводка выполнена в соответствии с электрической схемой? [См. электрическую схему] стр. 7-8
 - Кабель электропитания надежно подключен к клемме (TM1)? [См. подключение кабеля электропитания] стр. 9
 - Кабель заземления надежно подключен к винту? [См. подключение кабеля электропитания] стр. 9
 - Кабели надежно закреплены с помощью хомутов и Разъем PG? [См. подключение кабеля электропитания] стр. 9

Пробный запуск

После установки системы и перед установкой потолочной панели убедитесь в правильности подключения проводов, затем проверьте работу системы в соответствии с руководством по эксплуатации контроллера дистанционного управления.

1. Пробный запуск с использованием контроллеров дистанционного управления (PZ-61DR-E)

Выполните процедуру, приведенную в руководстве по эксплуатации контроллера дистанционного управления, для выполнения указанных ниже функций.

- (1) Запуск работы.
- (2) Выбор скорости вентилятора.
- (3) Выбор режима вентиляции.
- (4) Останов работы.

2. Пробный запуск Lossnay

Эту функцию можно использовать в следующих случаях:

- когда отсутствует контроллер дистанционного управления для управления блоком Lossnay;
- когда подключены выход нагревателя, выход монитора неисправности, выход монитора работы и другие выходы;
- когда наружная температура не превышает 8 °C (для проверки заслонки обходного режима).

- (1) Подайте питание на блок Lossnay.
- (2) Переведите переключатель пробного запуска (DIP-SW SW2-1) в положение «Вкл.».

Клеммная	DIP-SW	Настройка	Минут	0		1		2		3		4					
				0	10	20	30	40	50	0	10	20	30	40	50	0	10
-	-	-	Скорости вентилятора	Остановка 4				Остановка 4									
-	-	-	Режима вентиляции	Обхода				Lossnay									
TM3 ⑦⑩	SW5-6	Выкл.	Выход монитора обхода	Выкл.				Вкл.				Выкл.					
		Вкл.	Выход предварительного нагревателя	Выкл.								Вкл.					
TM3 ⑨⑩	SW2-8/ SW5-2	Выкл./Выкл.	Выход монитора вытяжного вентилятора	Вкл.													
		Выкл./Вкл.	Выход монитора приточного вентилятора	Вкл.													
		Вкл./Выкл. или Вкл./ Вкл.	Монитор приточного вентилятора с задержкой включения	Выкл.								Вкл.					
TM3 ⑧⑩	-	-	Выход монитора неисправности	Вкл.													

На контроллере дистанционного управления появляется код ошибки «0900».

- (3) Проверьте, что все функции работают правильно.
- (4) Переведите переключатель пробного запуска (DIP-SW SW2-1) в положение «Выкл.».

3. Завершение пробного запуска системы

- **Связанная система, включающая внутренний блок и/или внешнее устройство**
- Используя контроллер дистанционного управления внутренним блоком или переключатели работы внешнего устройства, убедитесь в том, что внутренний блок и блок Lossnay подключены в режиме связанной работы.
- Если установлено время задержки, убедитесь в том, что блок Lossnay включается по истечении времени задержки.
- **При использовании системы MELANS**
- Используйте MELANS, чтобы убедиться в работоспособности блока Lossnay.

Пробный запуск (продолжение)

4. При возникновении проблем в ходе пробного запуска

Признак	Предпринимаемые меры																					
Блок не работает даже при нажатии переключателя работы на контроллере дистанционного управления (PZ-61DR-E).	<ul style="list-style-type: none"> Проверьте подачу электропитания. (Номинальные параметры источника питания: 220–240 В, 50 Гц, 1 фаза) Убедитесь в том, что отсутствуют короткие замыкания и обрывы кабеля передачи. (Убедитесь, что для контроллера PZ-61DR-E напряжение между клеммами на кабеле передачи составляет от 10 до 13 В пост. тока.) Убедитесь в том, что расстояние между кабелем передачи и кабелем электропитания и другими кабелями передачи составляет не менее 5 см. Запустите блок Lossnay отдельно с помощью переключателя пробного запуска (SW2-1) и проверьте его функционирование. <table border="1"> <tr> <td>Блок Lossnay работает</td> <td>--></td> <td>Проверьте сигнальные линии</td> </tr> <tr> <td>Блок не Lossnay работает</td> <td>--></td> <td>Проверьте подачу электропитания</td> </tr> </table> <ul style="list-style-type: none"> Определите количество подключенных контроллеров дистанционного управления. (Максимальным количеством является два.) 	Блок Lossnay работает	-->	Проверьте сигнальные линии	Блок не Lossnay работает	-->	Проверьте подачу электропитания															
Блок Lossnay работает	-->	Проверьте сигнальные линии																				
Блок не Lossnay работает	-->	Проверьте подачу электропитания																				
При использовании M-NET переключатель работы контроллера дистанционного управления (PZ-61DR-E) не функционирует.	<ul style="list-style-type: none"> Проверьте подачу электропитания. (Номинальные параметры источника питания: 220–240 В, 50 Гц, 1 фаза, провод \varnothing1,6, коммутационная способность) Проверьте подключение блока питания и подачу электропитания (в системе, где используется только Lossnay, необходимо установить блок питания). Убедитесь в том, что кабель передачи не замкнут накоротко и не поврежден (проверьте наличие 20–30 В пост. тока на выводах кабеля передачи). Убедитесь в том, что расстояние между кабелем передачи и силовым кабелем и другими кабелями передачи составляет 5 см. Запустите блок Lossnay независимо и проверьте его работу. <table border="1"> <tr> <td>Блок Lossnay работает</td> <td>--></td> <td>Проверьте кабель передачи</td> </tr> <tr> <td>Блок не Lossnay работает</td> <td>--></td> <td>Проверьте подачу электропитания</td> </tr> </table>	Блок Lossnay работает	-->	Проверьте кабель передачи	Блок не Lossnay работает	-->	Проверьте подачу электропитания															
Блок Lossnay работает	-->	Проверьте кабель передачи																				
Блок не Lossnay работает	-->	Проверьте подачу электропитания																				
Блок не работает даже при нажатии переключателя работы на контроллере дистанционного управления MELANS.	<ul style="list-style-type: none"> Убедитесь в наличии блока питания и в том, что питание включено. (В системах, где используется только блок Lossnay, необходимо установить блок питания.) 																					
Внутренний блок или внешнее устройство не работают в режиме связанной работы.	<ul style="list-style-type: none"> Убедитесь в том, что переключатель импульсного входа (SW2-2) установлен в выключенное положение. (Его можно установить с помощью PZ-61DR-E) Проверьте общую длину кабеля между внутренним блоком или внешним устройством и блоком Lossnay. (Более подробная информация приведена в соответствующих технических публикациях или других аналогичных документах.) Проверьте соединения клеммной колодки входа внешнего управления (TM2). В случае с устройством, имеющим выход напряжением 12 или 24 В пост. тока: Осуществите подключение к клеммам входа внешнего управления ① и ②. В случае использования устройства, выдающего сигнал замыкающего контакта без напряжения: Осуществите подключение к клеммам входа внешнего управления ① и ③. В случае использования системы Mr. Slim (A управление или K управление): Осуществите подключение к клеммам входа внешнего управления ① и ②. Выполните операцию регистрации с помощью контроллера дистанционного управления кондиционером или MELANS. (См. инструкции по установке контроллера дистанционного управления внутренним блоком или MELANS.) Проверьте, не настроена ли задержка. Проверьте общую длину кабеля передачи между внешним устройством и блоком Lossnay. (Более подробная информация приведена в соответствующих технических публикациях или других аналогичных документах.) Убедитесь в том, что кабель передачи внешнего устройства не отключен от клеммы входа внешнего управления. <table border="1"> <thead> <tr> <th></th> <th>Сигнал работы</th> <th>Сигнал остановки</th> </tr> </thead> <tbody> <tr> <td>Устройство с выходным напряжением 12 или 24 В пост. тока</td> <td>12 или 24 В пост. тока</td> <td>0 В пост. тока</td> </tr> <tr> <td>Устройство с выходным сигналом замыкающего контакта без напряжения</td> <td>Сопrotивление: 0 Ом</td> <td>Бесконечное сопротивление, Ом</td> </tr> <tr> <td>Mr. Slim</td> <td>От 2 до 6 В пост. тока (импульсный сигнал)</td> <td>От 2 до 6 В пост. тока (импульсный сигнал)</td> </tr> </tbody> </table> <ul style="list-style-type: none"> При использовании нескольких блоков убедитесь в том, что переключатель DIPSW SW5-10 на блоке Lossnay, подключенный к клемме входа внешнего управления, установлен в положение ВКЛ, а переключатель DIPSW SW5-10 на других блоках Lossnay установлен в положение ВЫКЛ. 		Сигнал работы	Сигнал остановки	Устройство с выходным напряжением 12 или 24 В пост. тока	12 или 24 В пост. тока	0 В пост. тока	Устройство с выходным сигналом замыкающего контакта без напряжения	Сопrotивление: 0 Ом	Бесконечное сопротивление, Ом	Mr. Slim	От 2 до 6 В пост. тока (импульсный сигнал)	От 2 до 6 В пост. тока (импульсный сигнал)									
	Сигнал работы	Сигнал остановки																				
Устройство с выходным напряжением 12 или 24 В пост. тока	12 или 24 В пост. тока	0 В пост. тока																				
Устройство с выходным сигналом замыкающего контакта без напряжения	Сопrotивление: 0 Ом	Бесконечное сопротивление, Ом																				
Mr. Slim	От 2 до 6 В пост. тока (импульсный сигнал)	От 2 до 6 В пост. тока (импульсный сигнал)																				
Блок Lossnay не останавливается.	<ul style="list-style-type: none"> Убедитесь в том, что переключатель пробного запуска (SW2-1) находится в выключенном положении. 																					
Мигает индикатор проверки (LED 1 зеленого цвета) на блоке управления.	<table border="1"> <thead> <tr> <th>Мигает 1 раз</th> <th>Неисправность двигателя приточного вентилятора</th> <th rowspan="11">Отключите питание и свяжитесь с дилером.</th> </tr> </thead> <tbody> <tr> <td>Мигает 2 раза</td> <td>Неисправность двигателя вытяжного вентилятора</td> </tr> <tr> <td>Мигает 4 раза</td> <td>Неисправность термистора наружного воздуха</td> </tr> <tr> <td>Мигает 5 раз</td> <td>Неисправность термистора воздуха в помещении</td> </tr> <tr> <td>Мигает 6 раз</td> <td>Неисправность двигателя приточного вентилятора (только LGH-150/200RVX-E)</td> </tr> <tr> <td>Мигает 7 раз</td> <td>Неисправность двигателя вытяжного вентилятора (только LGH-150/200RVX-E)</td> </tr> <tr> <td>Мигает 8 раз</td> <td>Неправильная мощность предварительного нагревателя или неисправность реле в ТМЗ ⑦⑩</td> </tr> <tr> <td>Мигает 9 раз</td> <td>Сбой связи контроллера дистанционного управления</td> </tr> <tr> <td>Мигает 10 раз</td> <td>Ошибка настроек функций</td> </tr> <tr> <td>Мигает 11 раз</td> <td>Проблемы подачи питания к контроллеру дистанционного управления</td> </tr> </tbody> </table>	Мигает 1 раз	Неисправность двигателя приточного вентилятора	Отключите питание и свяжитесь с дилером.	Мигает 2 раза	Неисправность двигателя вытяжного вентилятора	Мигает 4 раза	Неисправность термистора наружного воздуха	Мигает 5 раз	Неисправность термистора воздуха в помещении	Мигает 6 раз	Неисправность двигателя приточного вентилятора (только LGH-150/200RVX-E)	Мигает 7 раз	Неисправность двигателя вытяжного вентилятора (только LGH-150/200RVX-E)	Мигает 8 раз	Неправильная мощность предварительного нагревателя или неисправность реле в ТМЗ ⑦⑩	Мигает 9 раз	Сбой связи контроллера дистанционного управления	Мигает 10 раз	Ошибка настроек функций	Мигает 11 раз	Проблемы подачи питания к контроллеру дистанционного управления
Мигает 1 раз	Неисправность двигателя приточного вентилятора	Отключите питание и свяжитесь с дилером.																				
Мигает 2 раза	Неисправность двигателя вытяжного вентилятора																					
Мигает 4 раза	Неисправность термистора наружного воздуха																					
Мигает 5 раз	Неисправность термистора воздуха в помещении																					
Мигает 6 раз	Неисправность двигателя приточного вентилятора (только LGH-150/200RVX-E)																					
Мигает 7 раз	Неисправность двигателя вытяжного вентилятора (только LGH-150/200RVX-E)																					
Мигает 8 раз	Неправильная мощность предварительного нагревателя или неисправность реле в ТМЗ ⑦⑩																					
Мигает 9 раз	Сбой связи контроллера дистанционного управления																					
Мигает 10 раз	Ошибка настроек функций																					
Мигает 11 раз	Проблемы подачи питания к контроллеру дистанционного управления																					
Мигает индикатор проверки (LED 2 красного цвета) на блоке управления.	<table border="1"> <tr> <td>Мигает от 1 до 8 раз</td> <td>Ошибка связи M-NET</td> <td>Отключите питание и немедленно свяжитесь с дилером.</td> </tr> </table>		Мигает от 1 до 8 раз	Ошибка связи M-NET	Отключите питание и немедленно свяжитесь с дилером.																	
Мигает от 1 до 8 раз	Ошибка связи M-NET	Отключите питание и немедленно свяжитесь с дилером.																				

■ Если на контроллере дистанционного управления мигает номер проверки, следуйте процедурам, описанным в руководствах по установке и эксплуатации, поставляемым с контроллером дистанционного управления.

■ Если контроллер дистанционного управления не используется, выполняйте операции управления спустя приблизительно 2 минуты после включения питания блока Lossnay.

mitsubishi electric corporation

Manufactured by: MITSUBISHI ELECTRIC CORPORATION
TOKYO BLDG. 2-7-3, MARUNOUCHI, CHIYODA-KU, TOKYO, 100-8310 JAPAN

Importer in EU: MITSUBISHI ELECTRIC EUROPE B.V.
HARMAN HOUSE, 1 GEORGE STREET, UXBRIDGE, MIDDLESEX, UB8 1QQ, U.K.