

CITY MULTI

Air-Conditioners For Building Application INDOOR UNIT

PLFY-WP-VBM-E

INSTALLATION MANUAL

For safe and correct use, read this manual and the outdoor unit installation manual thoroughly before installing the air-conditioner unit.

FOR INSTALLER

INSTALLATIONSHANDBUCH

Aus Sicherheitsgründen und zur richtigen Anwendung vor Installation der Klimaanlage die vorliegende Bedienungsanleitung und das Installationshandbuch gründlich durchlesen.

FÜR INSTALLATEURE

MANUEL D'INSTALLATION

Avant d'installer le climatiseur, lire attentivement ce manuel, ainsi que le manuel d'installation de l'appareil extérieur pour une utilisation sûre et correct.

POUR L'INSTALLATEUR

INSTALLATIEHANDLEIDING

Lees deze handleiding en de installatiehandleiding van het buitenapparaat zorgvuldig door voordat u met het installeren van de airconditioner begint.

VOOR DE INSTALLATEUR

MANUAL DE INSTALACIÓN

Para un uso seguro y correcto, lea detalladamente este manual de instalación antes de montar la unidad de aire acondicionado.

PARA EL INSTALADOR

РУКОВОДСТВО ПО УСТАНОВКЕ

Для обеспечения безопасной и надлежащей эксплуатации внимательно прочтите данное руководство и руководство по установке наружного прибора перед установкой кондиционера.

ДЛЯ УСТАНОВИТЕЛЯ**English (GB)****Deutsch (D)****Français (F)****Nederlands (NL)****Español (E)****Русский (RU)**

Contents

1. Safety precautions.....	2	5. Electrical work.....	7
2. Installing the indoor unit.....	2	6. Installing the grille.....	11
3. Connecting drain pipe.....	4	7. Test run.....	14
4. Connecting water pipes.....	5		

Note:
The phrase "Wired remote controller" in this installation manual refers only to the PAR-32MAA.
If you need any information for the other remote controller, please refer to either the installation manual or initial setting manual which are included in these boxes.

1. Safety precautions

- ▶ Before installing the unit, make sure you read all the "Safety precautions".
- ▶ Please report to your supply authority or obtain their consent before connecting this equipment to the power supply system.

Warning:
Describes precautions that must be observed to prevent danger of injury or death to the user.

Caution:
Describes precautions that must be observed to prevent damage to the unit.

After installation work has been completed, explain the "Safety Precautions," use, and maintenance of the unit to the customer according to the information in the Operation Manual and perform the test run to ensure normal operation. Both the Installation Manual and Operation Manual must be given to the user for keeping. These manuals must be passed on to subsequent users.

- ⊘ : Indicates an action that must be avoided.
- ⚡ : Indicates that important instructions must be followed.
- ⚙ : Indicates a part which must be grounded.
- ⚠ : Indicates that caution should be taken with rotating parts.
- ⚡ : Indicates that the main switch must be turned off before servicing.
- ⚠ : Beware of electric shock.
- 🔥 : Beware of hot surface.
- ⚡ ELV : At servicing, please shut down the power supply for both the Indoor and Outdoor Unit.

Warning:
Carefully read the labels affixed to the main unit.

Caution:
Appliances not accessible to the general public.
Install the indoor unit at least 2.5 m above floor or grade level.

- Warning:**
- Ask the dealer or an authorized technician to install the air conditioner.
 - The user should never attempt to repair the unit or transfer it to another location.
 - Install the unit at a place that can withstand its weight.
 - Use only specified cables for wiring. The wiring connections must be made securely with no tension applied on the terminal connections. Also, never splice the cables for wiring (unless otherwise indicated in this document). Failure to observe these instructions may result in overheating or a fire.
 - Use only accessories authorized by Mitsubishi Electric and ask the dealer or an authorized technician to install them.

- Do not touch the heat exchanger fins.
- Install the air conditioner according to this Installation Manual.
- Have all electric work done by a licensed electrician according to local regulations.
- The appliance shall be installed in accordance with national wiring regulations.
- If the supply cord is damaged, it must be replaced by the manufacturer, its service agent or similarly qualified persons in order to avoid a hazard.
- The cut face punched parts may cause injury by cut, etc. The installers are requested to wear protective equipment such as gloves, etc.

- Caution:**
- Do not use the air conditioner where food, pets, plants, precision instruments, or artwork are kept.
 - Do not use the air conditioner in special environments.
 - Ground the unit.
 - Install an leak circuit breaker, as required.
 - Use power line cables of sufficient current carrying capacity and rating.
 - Use only a circuit breaker and fuse of the specified capacity.
 - Do not touch the switches with wet fingers.

- Do not operate the air conditioner with the panels and guards removed.
- Do not turn off the power immediately after stopping operation.
- If the unit is run for long hours when the air above the ceiling is at high temperature/high humidity (dew point above 26 °C), dew condensation may be produced in the indoor unit or the ceiling materials. When operating the units in this condition, add insulation material (10-20 mm) to the entire surface of the unit and ceiling materials to avoid dew condensation.

2. Installing the indoor unit

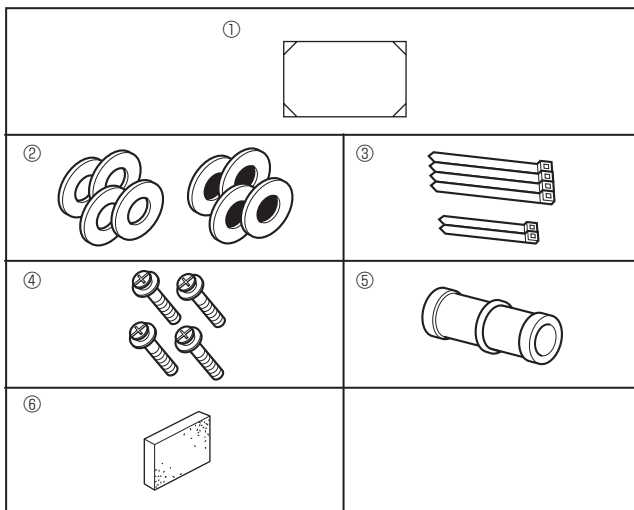


Fig. 2-1

2.1. Check the indoor unit accessories (Fig. 2-1)

The indoor unit should be supplied with the following accessories.

	Accessory name	Qty
①	Installation template	1
②	Washers (with insulation)	4
	Washers (without insulation)	4
③	Band (large)	4
	Band (small)	2
④	Screw with washer (M5 × 25) for mounting grille	4
⑤	Drain socket	1
⑥	Insulation	1

2. Installing the indoor unit

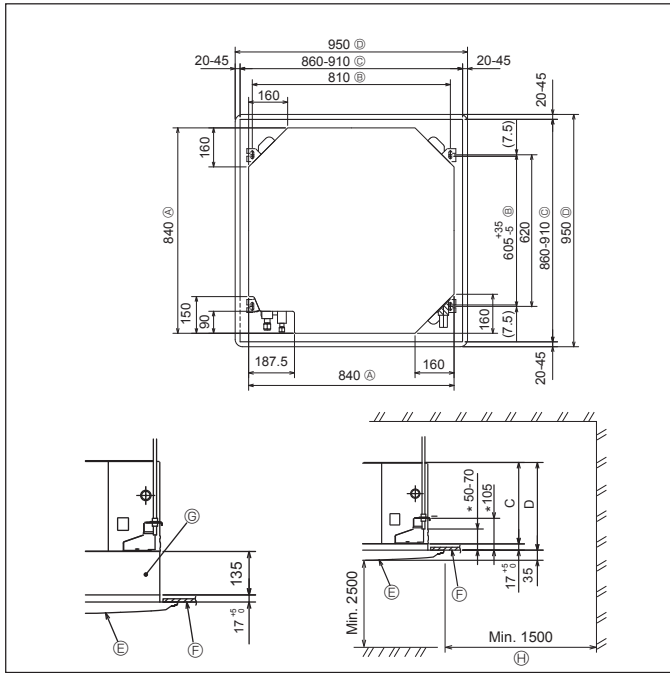


Fig. 2-2

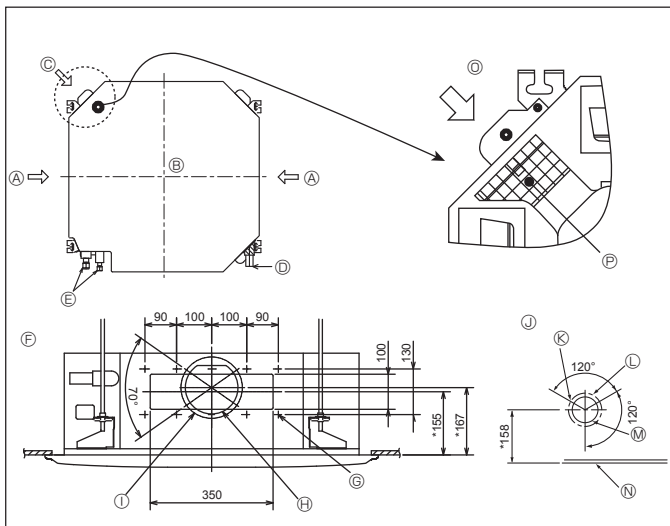


Fig. 2-3

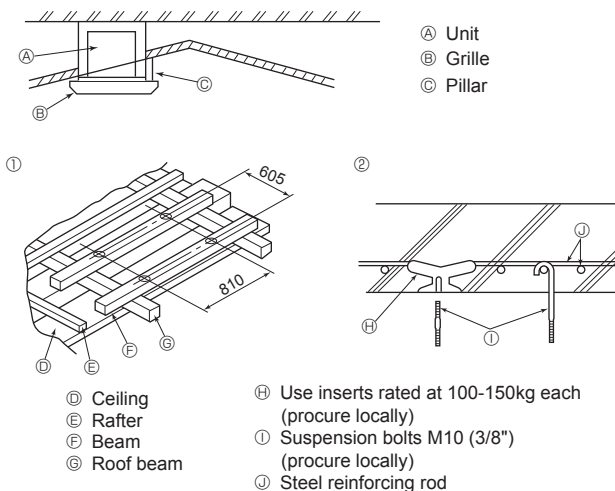


Fig. 2-4

2.2. Ceiling openings and suspension bolt installation locations (Fig. 2-2)

⚠ Caution:

Install the indoor unit at least 2.5 m above floor or grade level.

- Using the installation template (top of the package) and the gauge (supplied as an accessory with the grille), make an opening in the ceiling so that the main unit can be installed as shown in the diagram. (The method for using the template and the gauge is shown.)
 - * Before using, check the dimensions of template and gauge, because they change due to fluctuations of temperature and humidity.
 - * The dimensions of ceiling opening can be regulated within the range shown in Fig. 2-2; so center the main unit against the opening of ceiling, ensuring that the respective opposite sides on all sides of the clearance between them becomes identical.
- Use M10 (3/8") suspension bolts.
 - * Suspension bolts are to be procured at the field.
- Install securely, ensuring that there is no clearance between the ceiling panel & grille, and between the main unit & grille.
 - (A) Outer side of main unit
 - (B) Bolt pitch
 - (C) Ceiling opening
 - (D) Outer side of Grille
 - (E) Grille
 - (F) Ceiling
 - (G) Multi function casement (option)
 - (H) Entire periphery

* Note that the space between ceiling panel of the unit and ceiling slab and etc must be 10 to 15 mm.

* When the optional multi-functional casement is installed, add 135 mm to the dimensions marked on the figure. (mm)

Models	C	D
32, 40, 50	241	258

2.3. Branch duct hole and fresh air intake hole (Fig. 2-3)

At the time of installation, use the duct holes (cut out) located at the positions shown in Fig. 2-3, as and when required.

- A fresh air intake hole for the optional multi function casement can also be made.

Note:

- The figure marked with * in the drawing represent the dimensions of the main unit excluding those of the optional multi function casement.
- When installing the optional multi function casement, add 135 mm to the dimensions marked on the figure.
- When installing the branch ducts, be sure to insulate adequately. Otherwise condensation and dripping may occur.
- When installing the fresh air intake hole, be sure to remove the insulator (P) that is pasted on the indoor unit.

- (A) Branch duct hole
- (B) Indoor unit
- (C) Fresh air intake hole
- (D) Drain pipe
- (E) Water pipe
- (F) Branch duct hole diagram (view from either side)
- (G) 14-ø2.8 burring hole
- (H) ø150 cut out hole
- (I) ø175 burring hole pitch
- (J) Fresh air intake hole diagram
- (K) 3-ø2.8 burring hole
- (L) ø125 burring hole pitch
- (M) ø100 cut out hole
- (N) Ceiling
- (O) Detailed figure of removing the insulator
- (P) Insulator

2.4. Suspension structure (Give site of suspension strong structure) (Fig. 2-4)

- The ceiling work differs according to the construction of the building. Building constructors and interior decorators should be consulted for details.
- (1) Extent of ceiling removal: The ceiling must be kept completely horizontal and the ceiling foundation (framework: wooden slats and slat holders) must be reinforced in order to protect the ceiling from vibration.
- (2) Cut and remove the ceiling foundation.
- (3) Reinforce the ends of the ceiling foundation where it has been cut and add ceiling foundation for securing the ends of the ceiling board.
- (4) When installing the indoor unit on a slanted ceiling, attach a pillar between the ceiling and the grille and set so that the unit is installed horizontally.

- (1) Wooden structures
 - Use tie beams (single storied houses) or second floor beams (two story houses) as reinforcing members.
 - Wooden beams for suspending air conditioners must be sturdy and their sides must be at least 6 cm long if the beams are separated by not more than 90 cm and their sides must be at least 9 cm long if the beams are separated by as much as 180 cm. The size of the suspension bolts should be ø10 (3/8"). (The bolts do not come with the unit.)
- (2) Ferro-concrete structures
 - Secure the suspension bolts using the method shown, or use steel or wooden hangers, etc. to install the suspension bolts.

2. Installing the indoor unit

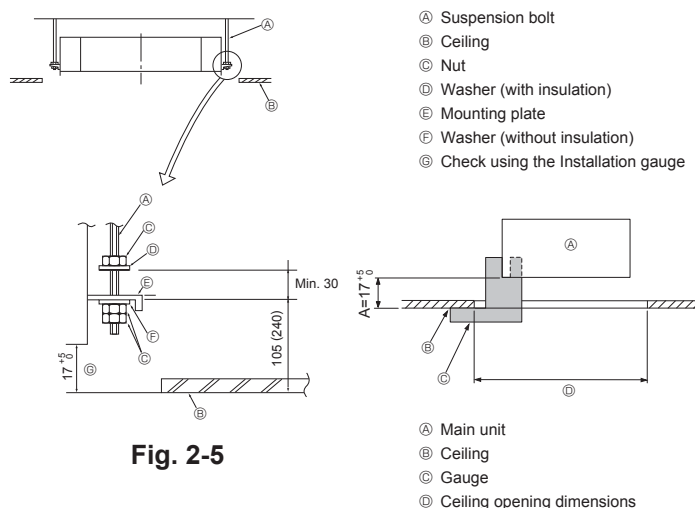


Fig. 2-5

Fig. 2-6

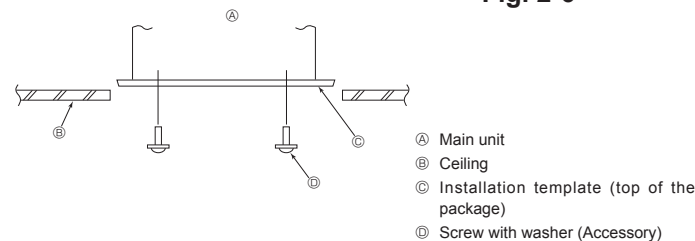


Fig. 2-7

3. Connecting drain pipe

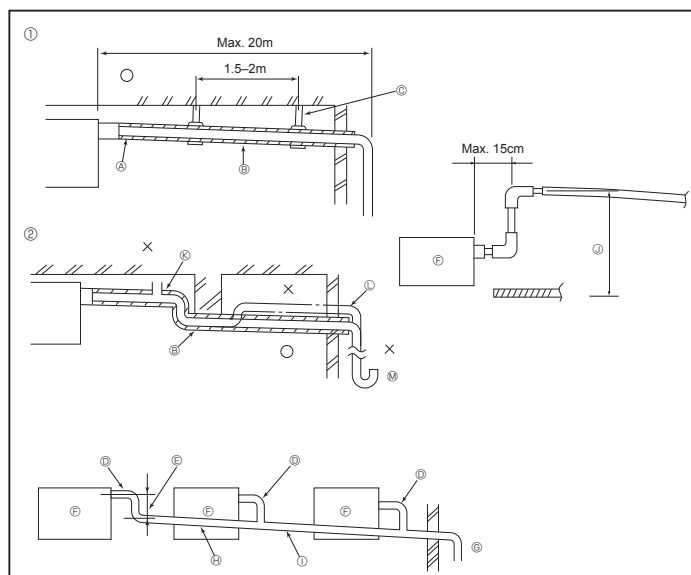


Fig. 3-1

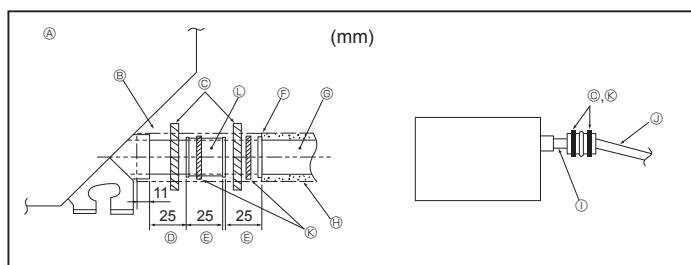


Fig. 3-2

2.5. Unit suspension procedures (Fig. 2-5)

Suspend the main unit as shown in the diagram.

Figures given in parentheses represent the dimensions in case of installing optional multi function casement.

- In advance, set the parts onto the suspension bolts in the order of the washers (with insulation), washers (without insulation) and nuts (double).
- Fit the washer with cushion so that the insulation faces downward.
- In case of using upper washers to suspend the main unit, the lower washers (with insulation) and nuts (double) are to be set later.
- Lift the unit to the proper height of the suspension bolts to insert the mounting plate between washers and then fasten it securely.
- When the main unit can not be aligned against the mounting hole on the ceiling, it is adjustable owing to a slot provided on the mounting plate.
- Make sure that A is performed within 17-22 mm. Damage could result by failing to adhere to this range. (Fig. 2-6)

⚠ Caution:

Use the top half of the box as a protective cover to prevent dust or debris from getting inside the unit prior to installation of the decorative cover or when applying ceiling materials.

2.6. Confirming the position of main unit and tightening the suspension bolts (Fig. 2-7)

- Using the gauge attached to the grille, ensure that the bottom of the main unit is properly aligned with the opening of the ceiling. Be sure to confirm this, otherwise condensation may form and drip due to air leakage, etc.
- Confirm that the main unit is horizontally levelled, using a level or a vinyl tube filled with water.
- After checking the position of the main unit, tighten the nuts of the suspension bolts securely to fasten the main unit.
- The installation template (top of the package) can be used as a protective sheet to prevent dust from entering the main unit when the grilles are left unattached for a while or when the ceiling materials are to be lined after installation of the unit is finished.

* As for the details of fitting, refer to the instructions given on the Installation template.

3.1. Drainage piping work (Fig. 3-1)

- Use VP25 (O.D. ø32 (1-1/4") PVC TUBE) for drain piping and provide 1/100 or more downward slope.
- Be sure to connect the piping joints using a polyvinyl type adhesive.
- Observe the figure for piping work.
- Use the included drain hose to change the extraction direction.

- Correct piping
- Wrong piping
- Insulation (9 mm or more)
- Downward slope (1/100 or more)
- Support metal
- Air bleeder
- Raised
- Odor trap

Grouped piping

- O. D. ø32 PVC TUBE
- Make it as large as possible
- Indoor unit
- Make the piping size large for grouped piping.
- Downward slope (1/100 or more)
- O. D. ø38 PVC TUBE for grouped piping. (9 mm or more insulation)
- Up to 85 cm

- Connect the drain socket (supplied with the unit) to the drain port. (Fig. 3-2) (Fix the tube using PVC adhesive then secure it with a band.)
- Install a locally purchased drain pipe (PVC pipe, O.D. ø32). (Fix the pipe using PVC adhesive then secure it with a band.)
- Insulate the tube and pipe. (PVC pipe, O.D. ø32 and socket)
- Check that drain flows smoothly.
- Insulate the drain port with insulating material, then secure the material with a band. (Both insulating material and band are supplied with the unit.)

- Unit
- Insulating material
- Band (large)
- Drain port (transparent)
- Insertion margin
- Matching
- Drain pipe (O.D. ø32 PVC TUBE)
- Insulating material (purchased locally)
- Transparent PVC pipe
- O.D. ø32 PVC TUBE (Slope 1/100 or more)
- Band (small)
- Drain socket

4. Connecting water pipes

Please observe the following precautions during installation.

4.1. Important notes on water pipework installation

- The water pressure resistance of the water pipes in the heat source unit is 1.0MPa [145psi].
- Please connect the water pipework of each indoor unit to the connect port on the HBC. Failure to do so will result in incorrect running.
- Please list the indoor units on the naming plate in the HBC unit with addresses and end connection numbers.
- If the number of indoor units are less than the number of ports on the HBC, the unused ports can be capped. Without a cap, water will leak.
- Use the reverse-return method to insure proper pipe resistance to each unit.
- Provide some joints and bulbs around inlet/outlet of each unit for easy maintenance, checkup, and replacement.
- Install a suitable air vent on the water pipe. After flowing water through the pipe, vent any excess air.
- Secure the pipes with metal fitting, positioning them in locations to protect pipes against breakage and bending.
- Do not confuse the water intake and outlet piping. Error code 5102 will appear on the remote controller if a test run is performed with the pipe-work installed incorrectly (inlet connected to outlet and vice versa).
- This unit doesn't include a heater to prevent freezing within tubes. If the water flow is stopped on low ambient, drain the water out.
- The unused knockout holes should be closed and the refrigerant pipes, water pipes, power source and transmission wires access holes should be filled with putty.
- Install water pipe so that the water flow rate will be maintained.
- Wrap sealing tape as follows.
 - ① Wrap the joint with sealing tape following the direction of the threads (clockwise), do not wrap the tape over the edge.
 - ② Overlap the sealing tape by two-thirds to three-fourths of its width on each turn. Press the tape with your fingers so that it is tight against each thread.
 - ③ Do not wrap the 1.5th through 2nd farthest threads away from the pipe end.

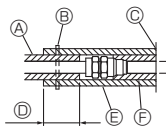


Fig. 4-1

- Ⓐ Locally procured insulating material for pipes
- Ⓑ Bind here using band or tape.
- Ⓒ Do not leave any opening.
- Ⓓ Lap margin: more than 40 mm
- Ⓔ Insulating material (field supply)
- Ⓕ Unit side insulating material

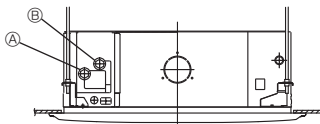


Fig. 4-2

- Ⓐ Water pipe: To HBC unit
- Ⓑ Water pipe: From HBC unit

- Hold the pipe on the unit side in place with a spanner when installing the pipes or strainer. Tighten screws to a torque of 40 N·m.
- If there is a risk of freezing, carry out a procedure to prevent it.
- When connecting heat source unit water piping and on site water piping, apply liquid sealing material for water piping over the sealing tape before connection.
- Do not use steel pipes as water pipes.
 - Copper pipes are recommended.
- Install a strainer (40 mesh or more) on the pipe next to the valve to remove the foreign matters.
- Be sure to provide anti-dew condensation treatment on the inlet and outlet of the water pipes and on the valve. Provide an appropriate treatment on the end surface of the dew proofing material to keep condensation out.
- When water has been supplied to the water pipework, purge the system of air. The details of air purging can be found separately in the water circuit maintenance manual.

4.2. Water pipe insulation

1. Connect the water pipes of each indoor unit to the same (correct) end connection numbers as indicated on the indoor unit connection section of each HBC controller. If connected to wrong end connection numbers, there will be no normal operation.
2. List indoor unit model names in the name plate on the HBC controller control box (for identification purposes), and HBC controller end connection numbers and address numbers in the name plate on the indoor unit side. Seal unused end connections using cover caps (sold separately). Not replacing on end cap will lead to water leakage.
3. Be sure to add insulation work to water piping by covering water pipework separately with enough thickness heat-resistant polyethylene, so that no gap is observed in the joint between indoor unit and insulating material, and insulating materials themselves. When insulation work is insufficient, there is a possibility of condensation, etc. Pay special attention to insulation work in the ceiling plenum. [Fig.4-1]

- Insulation materials for the pipes to be added on site must meet the following specifications:

HBC controller	-indoor unit	20 mm or more
----------------	--------------	---------------

- This specification is based on copper for water piping. When using plastic pipework, choose a thickness based on the plastic pipe performance.
- Installation of pipes in a high-temperature high-humidity environment, such as the top floor of a building, may require the use of insulation materials thicker than the ones specified in the chart above.
- When certain specifications presented by the client must be met, ensure that they also meet the specifications on the chart above.
- 4. Leakproof the water pipework, valves and drain pipework. Leakproof all the way to, and include pipe ends so that condensation cannot enter the insulated pipework.
- 5. Apply caulking around the ends of the insulation to prevent condensation getting between the pipework and insulation.
- 6. Add a drain valve so that the unit and pipework can be drained.
- 7. Ensure there are no gaps in the pipework insulation. Insulate the pipework right up to the unit.
- 8. Ensure that the gradient of the drain pan pipework is such that discharge can only blow out.

4. Connecting water pipes

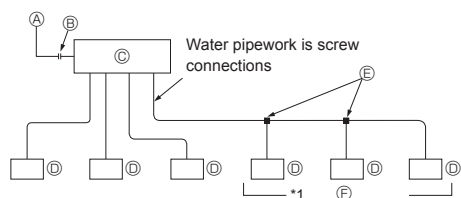


Fig. 4-3

- Ⓐ To outdoor unit
- Ⓑ End connection (brazing)
- Ⓒ HBC controller
- Ⓓ Indoor unit
- Ⓔ Twinning pipe (field supply)
- Ⓕ Up to three units for 1 branch hole; total capacity: below 80 (but in same mode, cooling/heating)

Note:

*1. Connection of multiple indoor units with one connection (or joint pipe)

- Total capacity of connectable indoor units: Less than 80
- Number of connectable indoor units: Maximum 3 Sets
- Selection of water piping

Select the size according to the total capacity of indoor units to be installed downstream.

- Please group units that operate on 1 branch.

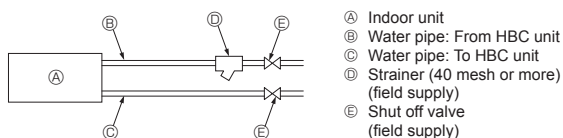


Fig. 4-4

- Ⓐ Indoor unit
- Ⓑ Water pipe: From HBC unit
- Ⓒ Water pipe: To HBC unit
- Ⓓ Strainer (40 mesh or more) (field supply)
- Ⓔ Shut off valve (field supply)

9.HBC water pipe connection sizes

Unit model	Connection size		Pipe size		Water volume (ℓ)
	Water inlet	Water outlet	Water out	Water return	
PLFY-WP32VBM	Rc 3/4 screw	Rc 3/4 screw	Inner diameter ≥ 20 mm	Inner diameter ≥ 20 mm	1.5
PLFY-WP40VBM					1.5
PLFY-WP50VBM					1.5

10. Please refer to the [Fig. 4-4] when connecting the water supply.
11. Install a shut off valve and strainer in a place that is easy to operate and makes maintenance work easy.
12. Apply insulation to the indoor unit pipework, strainer, shut off valve, and pressure reducing valve.
13. Please do not use a corrosion inhibitor in the water system.

4.3. Water treatment and quality control

To preserve water quality, use the closed type of water circuit. When the circulating water quality is poor, the water heat exchanger can develop scales, leading to a reduction in heat-exchange power and possible corrosion. Pay careful attention to water processing and water quality control when installing the water circulation system.

- Removing of foreign objects or impurities within the pipes.
 - During installation, make sure that foreign objects, such as welding fragments, sealant particles, or rust, do not enter the pipes.
- Water Quality Processing
 - ① Depending on the quality of the cold-temperature water used in the air conditioner, the copper piping of the heat exchanger may corrode. Regular water quality processing is recommended. If a water supply tank is installed, keep air contact to a minimum, and keep the level of dissolved oxygen in the water no higher than 1mg/l.

- ② Water quality standard

Items	Low to mid-range temperature water system		Tendency		
	Recirculating water [20<T<60°C] [68<T<140°F]	Make-up water	Corrosive	Scale-forming	
Standard items	pH (25°C) [77°F]	7.0 ~ 8.0	7.0 ~ 8.0	○	○
	Electric conductivity (mS/m) (25°C) [77°F] (μ s/cm) (25°C) [77°F]	30 or less [300 or less]	30 or less [300 or less]	○	○
	Chloride ion (mg Cl-/ℓ)	50 or less	50 or less	○	○
	Sulfate ion (mg SO ₄ ²⁻ /ℓ)	50 or less	50 or less	○	○
	Acid consumption (pH4.8) (mg CaCO ₃ /ℓ)	50 or less	50 or less		○
	Total hardness (mg CaCO ₃ /ℓ)	70 or less	70 or less		○
	Calcium hardness (mg CaCO ₃ /ℓ)	50 or less	50 or less		○
	Ionic silica (mg SiO ₂ /ℓ)	30 or less	30 or less		○
Reference items	Iron (mg Fe/ℓ)	1.0 or less	0.3 or less	○	
	Copper (mg Cu/ℓ)	1.0 or less	0.1 or less	○	
	Sulfide ion (mg S ₂ -/ℓ)	not to be detected	not to be detected	○	
	Ammonium ion (mg NH ₄ ⁺ /ℓ)	0.3 or less	0.1 or less	○	
	Residual chlorine (mg Cl/ℓ)	0.25 or less	0.3 or less	○	
	Free carbon dioxide (mg CO ₂ /ℓ)	0.4 or less	4.0 or less	○	
	Ryzner stability inde	6.0 ~ 7.0	-	○	○

Reference : Guideline of Water Quality for Refrigeration and Air Conditioning Equipment. (JRA GL02E-1994)

- ③ Consult with a specialist about water quality control methods and calculations before using anti-corrosive solutions.
- ④ When replacing a previously installed air conditioning device (even when only the heat exchanger is being replaced), first conduct a water quality analysis and check for possible corrosion. Corrosion can occur in cold-water systems even if there has been no prior signs of corrosion. If the water quality level has dropped, adjust water quality before replacing the unit.

5. Electrical work

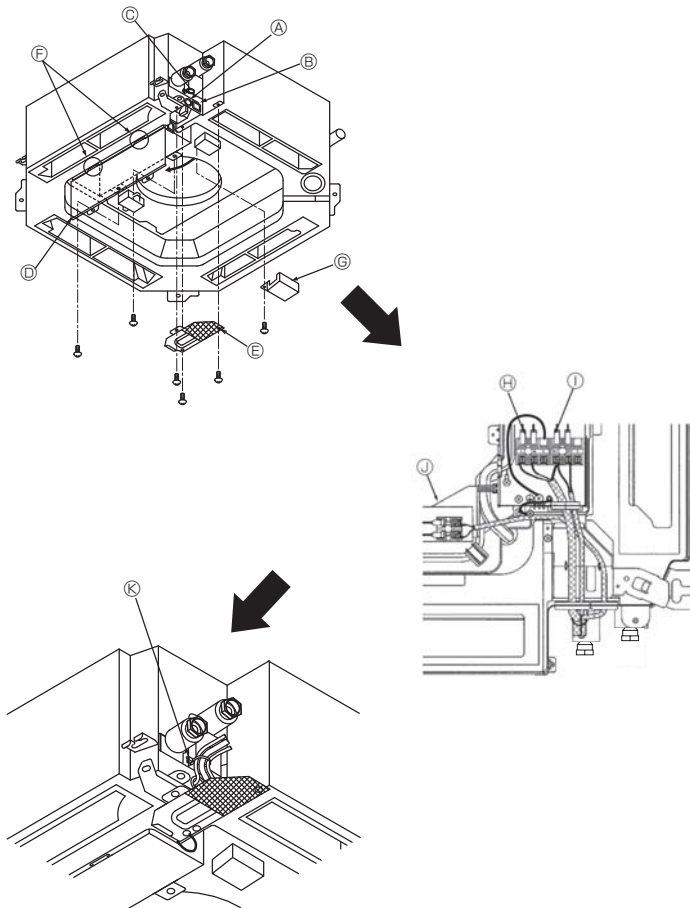


Fig. 5-1

5.1. Indoor unit (Fig. 5-1)

1. Remove the electrical wiring service panel.
 2. Remove the electrical box cover.
 3. Remove the MA Remote controller terminal cover.
 4. Wire the power cable and control cable separately through the respective wiring entries given in the diagram.
- Do not allow slackening of the terminal screws.
 - Leave excess cable so that the electrical box cover can be suspended below the unit during servicing. (Approx. 50 to 100 mm)
 - Ⓐ Entry for remote controller cable
 - Ⓑ Entry for power and control cable
 - Ⓒ Clamp
 - Ⓓ Electrical box cover
 - Ⓔ Service panel for electrical wiring
 - Ⓕ Temporary hook for electrical box cover
 - Ⓖ MA Remote controller terminal cover
 - Ⓗ Power supply terminals (with earth terminal) (L, N, ⊕)
 - Ⓘ Transmission terminals (M1, M2, S)
 - Ⓚ MA Remote controller terminal (1, 2)
 - Ⓛ Secure with the clamp

5.2. Power supply wiring

- Wiring size must comply with the applicable local and national code.
- Install an earth longer than other cables.
- Power supply codes of appliance shall not be lighter than design 60245 IEC 53 or 60227 IEC 53.
- A switch with at least 3 mm contact separation in each pole shall be provided by the air conditioner installation.

[Fig. 5-2]

- Ⓐ Ground-fault interrupter
- Ⓑ Local switch/Wiring breaker
- Ⓒ Indoor unit
- Ⓓ Pull box

⚠ **Warning:**

Never splice the power cable or the indoor-outdoor connection cable, otherwise it may result in a smoke, a fire or communication failure.

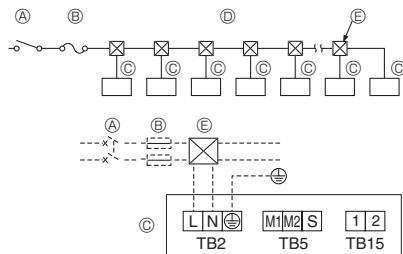


Fig. 5-2

5. Electrical work

Total operating current of the indoor unit	Minimum wire thickness (mm ²)			Ground-fault interrupter *1	Local switch (A)		Breaker for wiring (NFB)
	Main cable	Branch	Ground		Capacity	Fuse	
F0 = 16 A or less *2	1.5	1.5	1.5	20 A current sensitivity *3	16	16	20
F0 = 25 A or less *2	2.5	2.5	2.5	30 A current sensitivity *3	25	25	30
F0 = 32 A or less *2	4.0	4.0	4.0	40 A current sensitivity *3	32	32	40

Apply to IEC61000-3-3 about max. permissive system impedance.

*1 The Ground-fault interrupter should support inverter circuit.

The Ground-fault interrupter should combine using of local switch or wiring breaker.

*2 Please take the larger of F1 or F2 as the value for F0.

F1 = Total operating maximum current of the indoor units × 1.2

F2 = {V1 × (Quantity of Type1)/C} + {V1 × (Quantity of Type2)/C} + {V1 × (Quantity of Type3)/C} + {V1 × (Quantity of Others)/C}

Indoor unit		V1	V2
Type 1	PLFY-VBM, PEFY-VMS, PFFY-VLRMM	18.6	2.4
Type 2	PEFY-VMA	38	1.6

C : Multiple of tripping current at tripping time 0.01s

Please pick up "C" from the tripping characteristic of the breaker.

<Example of "F2" calculation>

*Condition PEFY-VMS × 4 + PEFY-VMA × 1, C = 8 (refer to right sample chart)

$$F2 = 18.6 \times 4/8 + 38 \times 1/8$$

$$= 14.05$$

→ 16 A breaker (Tripping current = 8 × 16 A at 0.01s)

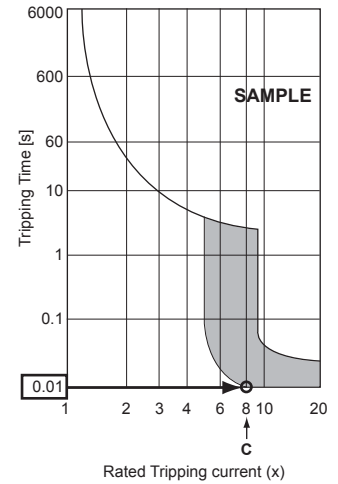
*3 Current sensitivity is calculated using the following formula.

$$G1 = V2 \times (\text{Quantity of Type1}) + V2 \times (\text{Quantity of Type2}) + V2 \times (\text{Quantity of Type3}) + V2 \times (\text{Quantity of Others}) + V3 \times (\text{Wire length[km]})$$

G1	Current sensitivity
30 or less	30 mA 0.1sec or less
100 or less	100 mA 0.1sec or less

Wire thickness	V3
1.5 mm ²	48
2.5 mm ²	56
4.0 mm ²	66

Sample chart



5.3. Types of control cables

1. Wiring transmission cables

Types of transmission cable	Shielding wire CVVS or CPEVS
Cable diameter	More than 1.25 mm ²
Length	Less than 200 m

2. M-NET Remote control cables

Types of remote control cable	Shielding wire MVVS
Cable diameter	0.5 to 1.25 mm ²
Length	Add any portion in excess of 10 m to within the longest allowable transmission cable length 200 m

3. MA Remote control cables

Types of remote control cable	2-core cable (unshielded)
Cable diameter	0.3 to 1.25 mm ²
Length	Less than 200 m

5. Electrical work

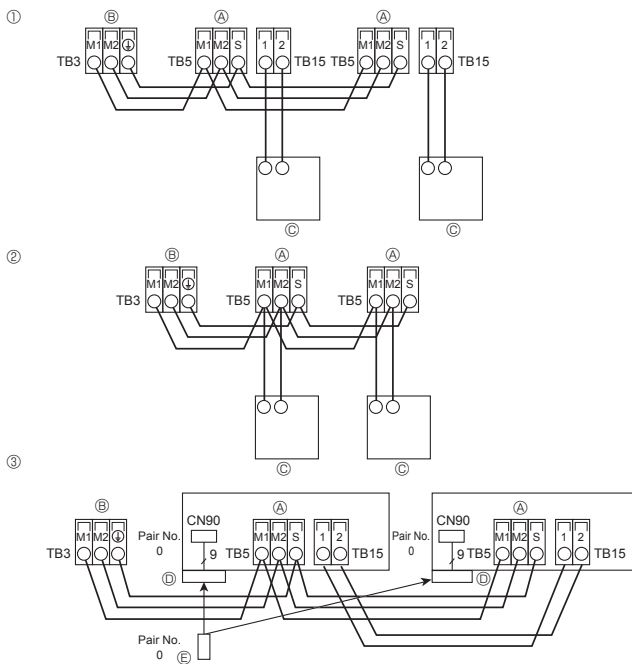


Fig. 5-3

5.4. Connecting remote controller, indoor and outdoor transmission cables (Fig. 5-3)

- Connect indoor unit TB5 and outdoor unit TB3. (Non-polarized 2-wire)
The "S" on indoor unit TB5 is a shielding wire connection. For specifications about the connecting cables, refer to the outdoor unit installation manual.
- Install a remote controller following the manual supplied with the remote controller.
- Connect the remote controller's transmission cable within 10 m using a 0.75 mm² core cable. If the distance is more than 10 m, use a 1.25 mm² junction cable.

- ① MA Remote controller
 - Connect the "1" and "2" on indoor unit TB15 to a MA remote controller. (Non-polarized 2-wire)
 - DC 9 to 13 V between 1 and 2 (MA remote controller)
- ② M-NET Remote controller
 - Connect the "M1" and "M2" on indoor unit TB5 to a M-NET remote controller. (Non-polarized 2-wire)
 - DC 24 to 30 V between M1 and M2 (M-NET remote controller)
- ③ Wireless remote controller (When installing wireless signal receiver)
 - Connect the wire of wireless signal receiver (9-pole cable) to CN90 of indoor controller board.
 - When more than two units are run under group control using wireless remote controller, connect TB15 each with the same number.
 - To change Pair No. setting, refer to installation manual attached to wireless remote controller. (In initial setting of indoor unit and wireless remote controller, Pair No. is 0.)

- Ⓐ Terminal block for indoor transmission cable
- Ⓑ Terminal block for outdoor transmission cable (M1(A), M2(B), Ⓣ (S))
- Ⓒ Remote controller
- Ⓓ wireless signal receiver
- Ⓔ wireless remote controller

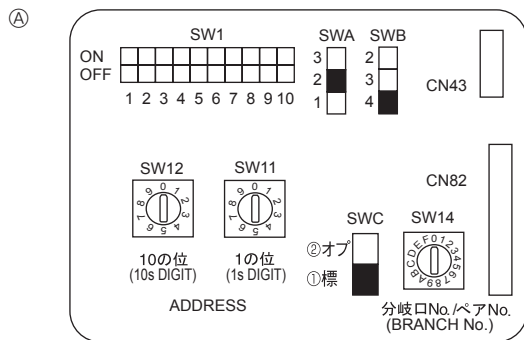


Fig. 5-4

5.5. Setting addresses (Fig. 5-4)

(Be sure to operate with the main power turned OFF.)

- There are 2 types of rotary switch setting available: setting addresses 1 to 9 and over 10, and setting branch numbers.

- ① How to set addresses
Example: If Address is "3", remain SW12 (for over 10) at "0", and match SW11 (for 1 to 9) with "3".

- ② How to set branch numbers SW14
Match the indoor unit's water pipe with the HBC controller's end connection number.

- The rotary switches are all set to "0" when shipped from the factory. These switches can be used to set unit addresses and branch numbers at will.
- The determination of indoor unit addresses varies with the system at site. Set them referring to the Data Book.

- Ⓐ Address board

5.6. Switch setting for high ceiling or at the time of changing the number of air outlets (Fig. 5-4)

With this unit, the air flow rate and fan speed can be adjusted by setting the SWA and SWB (slide switch). Select a suitable setting from the table below according to the installation location.

* Make sure the SWA and SWB switch are set, otherwise problems such as not getting cool/warm may occur.

■ PLFY-WP32, WP40, WP50VBM

SWB \ SWA		①	②	③
		Silent	Standard	High ceiling
④	4 direction	2.5 m	2.7 m	3.5 m
③	3 direction	2.7 m	3.0 m	3.5 m
②	2 direction	3.0 m	3.3 m	3.5 m

5.7. Sensing room temperature with the built-in sensor in a remote controller (Fig. 5-4)

If you want to sense room temperature with the built-in sensor in a remote controller, set SW1-1 on the control board to "ON". The setting of SW1-7 and SW1-8 as necessary also makes it possible to adjust the airflow at a time when the heating thermometer is OFF.

5. Electrical work

5.8. Electrical characteristics

Symbols: MCA: Max. Circuit Amps (= 1.25×FLA) FLA: Full Load Amps
IFM: Indoor Fan Motor Output: Fan motor rated output

Model	Power supply		IFM		
	Volts/ Hz	Range +/- 10%	MCA (A)	Output (kW)	FLA (A)
PLFY-WP32VBM-E	220-240V / 50Hz	Max.: 264V Min.: 198V	0.44	0.05	0.35
PLFY-WP40VBM-E			0.44	0.05	0.35
PLFY-WP50VBM-E			0.57	0.05	0.45

5.9. How to set the fixed up/down air direction (Only for wired remote controller)

- For PLFY-BM, only the particular outlet can be fixed to certain direction with the procedures below. Once fixed, only the set outlet is fixed every time air conditioner is turned on. (Other outlets follow UP/DOWN air direction setting of the remote controller.)

■ Explanation of word

- "Address No. of indoor unit" is the number given to each air conditioner.
- "Outlet No." is the number given to each outlet of air conditioner. (Refer to the right.)
- "Up/Down air direction" is the direction (angle) to fix.

Horizontal airflow

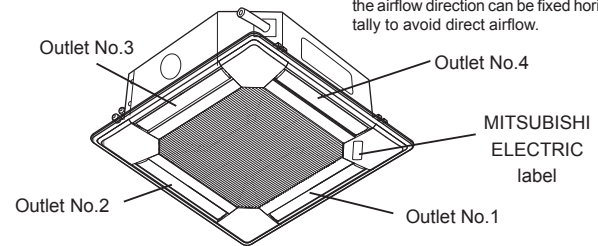


Downward

Remote controller setting
The airflow direction of this outlet is controlled by the airflow direction setting of remote controller.

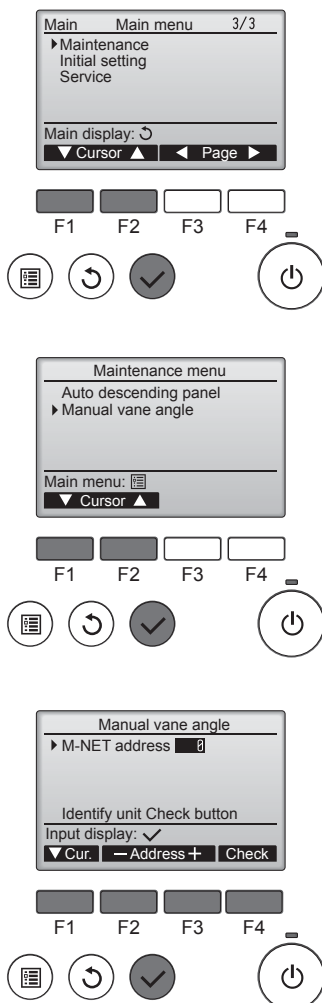
Fixed setting
The airflow direction of this outlet is fixed in particular direction.

* When it is cold because of direct airflow, the airflow direction can be fixed horizontally to avoid direct airflow.



Note: "0" indicates all outlets.

■ Manual vane angle

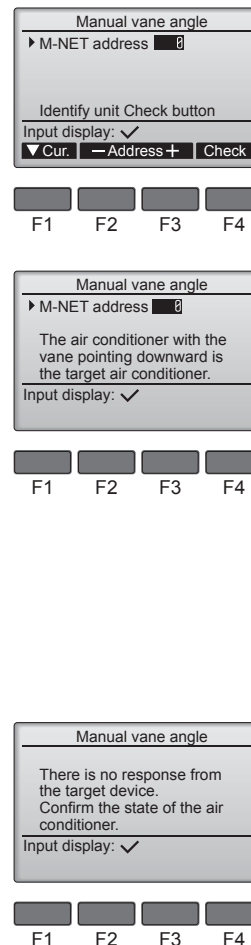


① Select "Maintenance" from the Main menu, and press the [SELECT] button.

② Select "Manual vane angle" with the [F1] or [F2] button, and press the [SELECT] button.

③ Select the "M-NET address" for the units to whose vanes are to be fixed, with the [F2] or [F3] button, and press the [SELECT] button. Press the [F4] button to confirm the unit. The vane of only the target indoor unit is pointing downward.

■ Confirmation procedure



① Select the "M-NET address" for the units to whose vanes are to be fixed, with the [F2] or [F3] button. Press the [F4] button to confirm the unit.

② After pressing the [F4] button, wait approximately 15 seconds, and then check the current state of the air conditioner.

→ The vane is pointing downward.
→ This air conditioner is displayed on the remote controller.

→ All outlets are closed. → Press the [RETURN] button and continue the operation from the beginning.

→ The messages shown to the left are displayed. → The target device does not exist at this refrigerant address.

• Press the [RETURN] button to return to the initial screen.

③ Change the "M-NET address" to the next number.

• Refer to step ① to change the "M-NET address" and continue with the confirmation.

6. Installing the grille

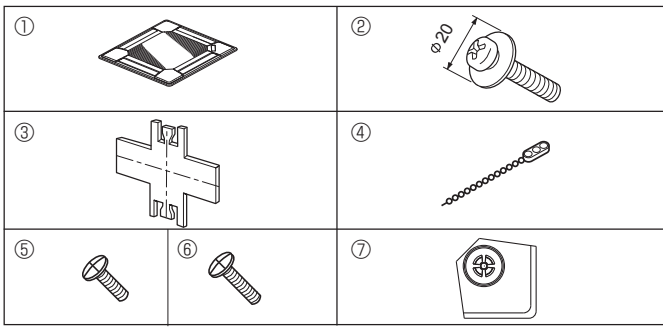


Fig. 6-1

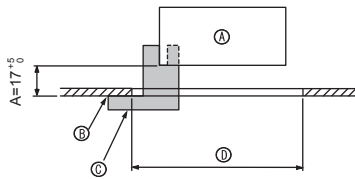


Fig. 6-2

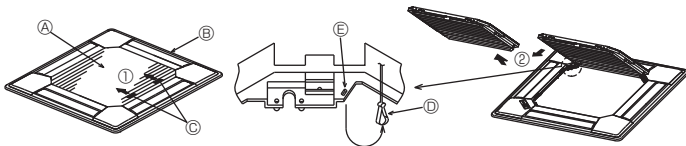


Fig. 6-3

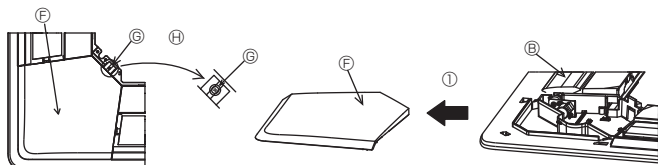


Fig. 6-4

	4-directional	3-directional
Blowout direction patterns	1 pattern: Initial setting 	4 pattern: 1 air outlet fully closed
Blowout direction patterns	2-directional 6 pattern: 2 air outlet fully closed 	

Table 1

6.1. Checking the contents (Fig. 6-1)

- This kit contains this manual and the following parts.

	Accessory name	Q'ty	Remark
①	Grille	1	950 × 950 (mm)
②	Screw with captive washer	4	M5 × 0.8 × 25
③	Gauge	1	(Divided into four parts)
④	Fastener	3	
⑤	Screw	4	4 × 8
⑥	Screw	1	4 × 12
⑦	i-see sensor corner panel	1	for PLP-6BAE

6.2. Preparing to attach the grille (Fig. 6-2)

- With the gauge ③ supplied with this kit, adjust and check the positioning of the unit relative to the ceiling. If the unit is not properly positioned relative to the ceiling, it may allow air leaks or cause condensation to collect.
- Make sure that the opening in the ceiling is within the following tolerances: 860 × 860 - 910 × 910
- Make sure that A is performed within 17-22 mm. Damage could result by failing to adhere to this range.
 - Ⓐ Main unit
 - Ⓑ Ceiling
 - Ⓒ Gauge ③ (inserted into the unit)
 - Ⓓ Ceiling opening dimensions

6.2.1. Removing the intake grille (Fig. 6-3)

- Slide the levers in the direction indicated by the arrow ① to open the intake grille.
- Unlatch the hook that secures the grille.
 - * Do not unlatch the hook for the intake grille.
- With the intake grille in the "open" position, remove the hinge of the intake grille from the grille as indicated by the arrow ②.

6.2.2. Removing the corner panel (Fig. 6-4)

- Remove the screw from the corner of the corner panel. Slide the corner panel as indicated by the arrow ① to remove the corner panel.

[Fig.6-3, 6-4]

- Ⓐ Intake grille
- Ⓑ Grille
- Ⓒ Intake grille levers
- Ⓓ Grille hook
- Ⓔ Hole for the grille's hook
- Ⓕ Corner panel
- Ⓖ Screw
- Ⓗ Detail

6.3. Selection of the air outlets

For this grille the discharge direction is available in 11 patterns. Also, by setting the remote controller to the appropriate settings, you can adjust the airflow and speed. Select the required settings from the Table 1 according to the location in which you want to install the unit.

- Decide on the discharge direction pattern.
- Be sure to set the remote controller to the appropriate settings, according to the number of air outlets and the height of the ceiling on which the unit will be installed.

Note:

For 3- and 2-directional, please use the air outlet shutter plate (option).

6. Installing the grille

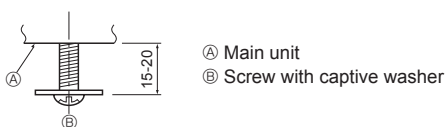


Fig. 6-5

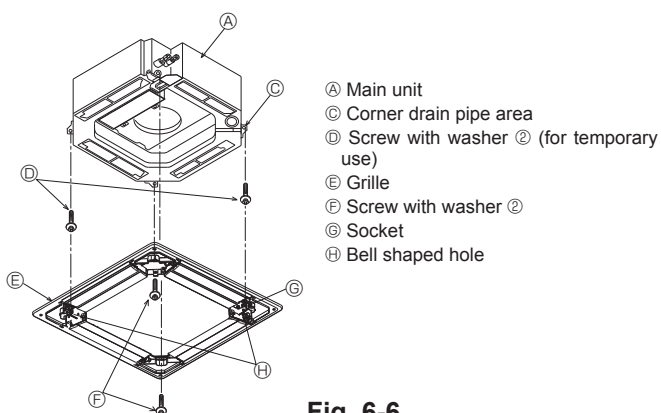
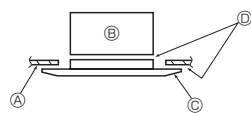
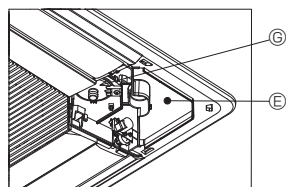


Fig. 6-6



- A Ceiling
- B Main unit
- C Grille
- D Make sure that there are no gaps
- E Adjust the nut of the main unit using a wrench, etc.

Fig. 6-7

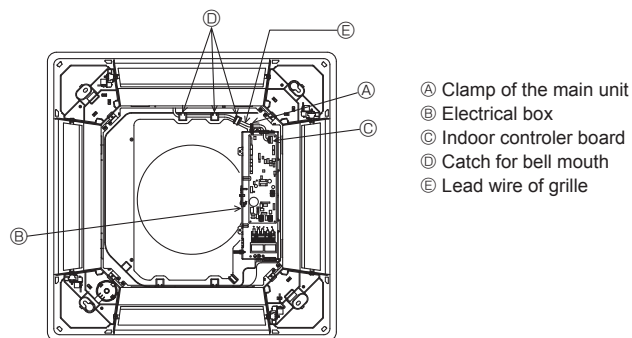


Fig. 6-8

6.4. Installing the grille

6.4.1. Preparations (Fig. 6-5)

- Install the 2 enclosed screws with washer ② in the main unit (at the corner drain pipe area and at the opposite corner) as shown in the diagram.

6.4.2. Temporary installation of the grille (Fig. 6-6)

- Temporarily secure the grille using the bell shaped holes by putting the socket of the grille marked ③ on the corner drain pipe area of the main unit.
 - * Make sure that the lead wiring of the grille does not get pinched between the grille and the main unit.

6.4.3. Securing the grille (Fig. 6-7)

- Secure the grille to the main unit by tightening the previously installed 2 screws (with captive washer) as well as the 2 remaining screws (with captive washer).
 - * Make sure that there are no gaps between the main unit and the grille or the grille and the ceiling.

Fixing gaps between the grille and the ceiling

With the grille attached, adjust the height of the main unit to close the gap.

⚠ Caution:

When tightening the screw with captive washer ②, tighten it at a torque of 4.8 N·m or less. Never use an impact screwdriver.

- It may result in parts damage.

6.4.4. Wire connection (Fig. 6-8)

- Remove the 2 screws fixing the cover of electrical branch box of the unit and open the cover.

- Be sure to connect the connector (white, 20-pole) for vane motor of the grille to CNV connector of controller board of the unit.

The lead wire of grille is passed through the catch for bell mouth of the unit perfectly. The remaining lead wire is tied with clamp of the unit and put the cover of the unit again with 2 screws.

Note:

Do not put the remaining lead wire in electrical branch box of the unit.

6. Installing the grille

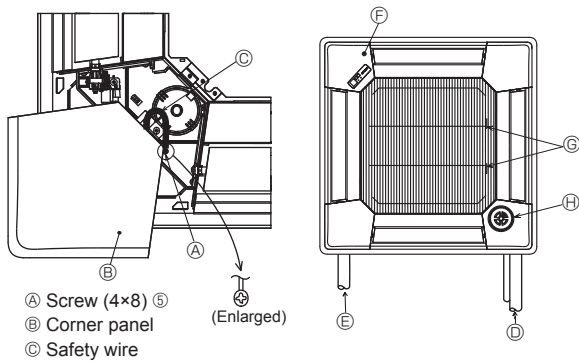


Fig. 6-9

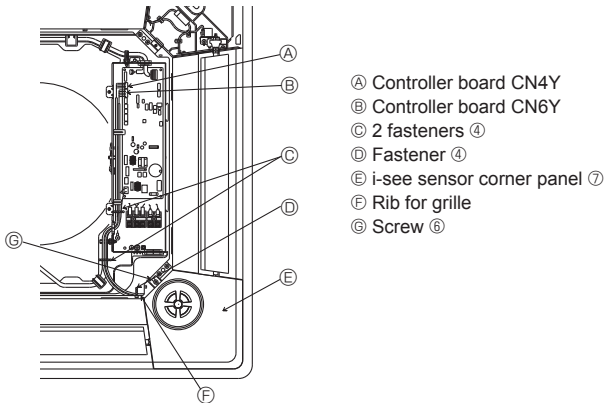


Fig. 6-10

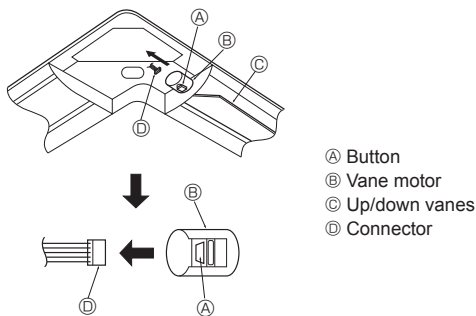


Fig. 6-11

6.5. Installing the intake grille (Fig. 6-9)

Note:

When reinstalling the corner panels (each with a safety wire attached), connect the other end of each safety wire to the grille using a screw (4 pcs, 4 × 8) as shown in the illustration.

- * If the corner panels are not attached, they may fall off while the unit is operating.
- Perform the procedure that is described in “6.2. Preparing to attach the grille” in reverse order to install the intake grille and the corner panel.
- Multiple units can be installed with grille so that the position of the logo on each corner panel is consistent with the other units regardless of the orientation of the intake grille. Align the logo on the panel according to the wishes of the customer as shown in the diagram to the left. (The position of the grille can be changed.)
- ① Water piping of the main unit
- ② Drain piping of the main unit
- ③ Initial position of the corner panel (logo attached)
- * Installation in any position is possible.
- ④ Initial position of the levers on the intake grille
- * Although the clips can be installed in any of 4 positions, the configuration shown here is recommended. (It is not necessary to remove the intake grille when maintenance is performed on the electric component box of the main unit.)
- ⑤ i-see sensor (PLP-6BAE panel)

6.6. Installation of i-see sensor corner panel (Fig. 6-10)

For PLP-6BAE panel

- Take the lead wires CN4Y (white) and CN6Y (red) of the i-see sensor corner panel ⑦ from the side of the electrical box on the unit and make sure to connect them to the connector of the controller board.
- Lead wires of the i-see sensor corner panel ⑦ should be fixed at the rib of the grille with the fastener ④ so that there is no slack.
- Lead wires should be held together with the lead wires of the unit and fixed with 2 of the fastener ④ so that there is no slack.
- Put the cover back on the electrical box with 3 screws.
- * Make sure wires are not caught in the cover of electric box. If they are caught, they will be cut.
- Adverse procedure of “6.2. Preparing to attach the grille” will be taken for installing the i-see sensor corner panel.
- * The i-see sensor corner panel should be fixed onto the grille ① with screw ⑥.

6.7. Locking the up/down airflow direction (Fig. 6-11)

The vanes of the unit can be set and locked in up or down orientations depending upon the environment of use.

- Set according to the preference of the customer.
- The operation of the fixed up/down vanes and all automatic controls cannot be performed using the remote controller. In addition, the actual position of the vanes may differ from the position indicated on the remote controller.
- ① Turn off the main power switch.
- Injuries or an electrical shock may occur while the fan of the unit is rotating.
- ② Disconnect the connector for the vane motor of the vent that you want to lock. (While pressing the button, remove the connector in the direction indicated by the arrow as shown in the diagram.) After removing the connector, insulate it with tape.
- It also can be set by remote controller. Refer to 5.7.

6.8. Check

- Make sure that there is no gap between the unit and the grille, or between the grille and the surface of the ceiling. If there is any gap between the unit and the grille, or between the grille and the surface of the ceiling, it may cause dew to collect.
- Make sure that the wires have been securely connected.
- For PLP-6BAE, check the rotating movement of the i-see sensor. If the i-see sensor does not rotate, review the procedure in “6.6. Installation of i-see sensor corner panel”.

7. Test run

7.1. Before test run

- ▶ After completing installation and the wiring and piping of the indoor and outdoor units, check for refrigerant leakage, looseness in the power supply or control wiring, wrong polarity, and no disconnection of 1 phase in the supply.
- ▶ Use a 500-volt megohmmeter to check that the resistance between the power supply terminals and ground is at least 1.0 MΩ.
- ▶ Do not carry out this test on the control wiring (low voltage circuit) terminals.

Warning:

Do not use the air conditioner if the insulation resistance is less than 1.0 MΩ.

Caution:

- Turn on the power at least 12 hours before starting operation.

- Starting operation immediately after turning on the main power switch can result in severe damage to internal parts. Keep the power switch turned on during the operational season.

- Do not touch the switches with wet fingers.

- Touching a switch with wet fingers can cause electric shock.

- Do not operate the air conditioner with the panels and guards removed.

- Rotating, hot, or high-voltage parts can cause injuries.

- Do not turn off the power immediately after stopping operation.

- Always wait at least five minutes before turning off the power. Otherwise, water leakage and trouble may occur.

- When water has been supplied to the water pipework, purge the system of air. The details of air purging can be found separately in the water circuit maintenance manual.

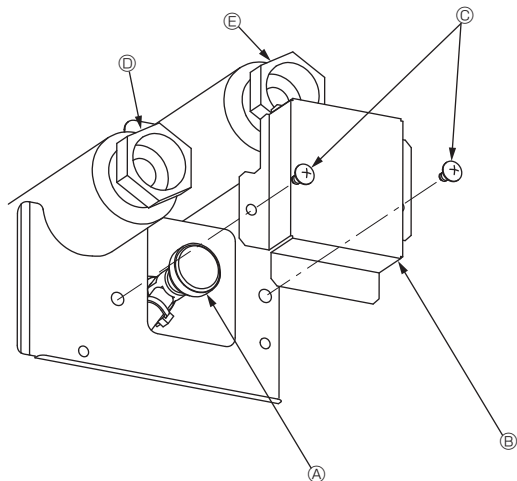


Fig. 7-1

7.2. Air purging

7.2.1. The details of air purging

As for the details of air purging, please refer to the water circuit maintenance manual included in the package of the HBC controller.

7.2.2. The air vent valve of indoor unit (Fig. 7-1)

- ① Remove the air purge valve cover.
- ② Turn the knob on the air purge valve to release the air.
- Ⓐ Air purge valve
- Ⓑ Air purge valve cover (Tightening torque: 1.3 ± 0.3 N·m)
- Ⓒ Screw
- Ⓓ Outlet
- Ⓔ Inlet

Controller interface

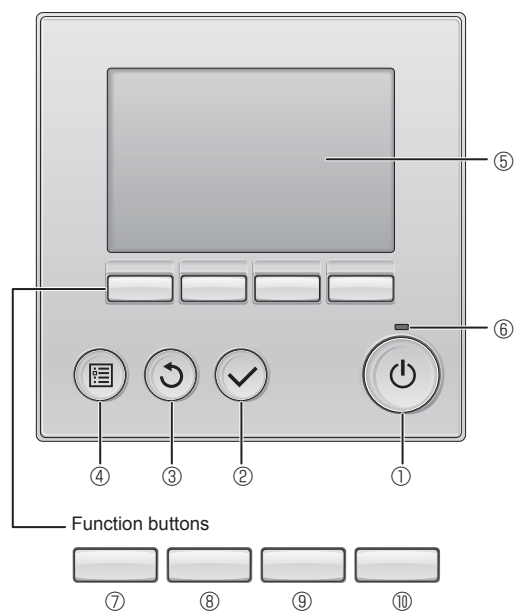


Fig. 7-2

7.3. Test run

The following 3 methods are available.

7.3.1. Using wired remote controller (Fig. 7-2)

① [ON/OFF] button

Press to turn ON/OFF the indoor unit.

② [SELECT] button

Press to save the setting.

③ [RETURN] button

Press to return to the previous screen.

④ [MENU] button

Press to bring up the Main menu.

⑤ Backlit LCD

Operation settings will appear.

When the backlight is off, pressing any button turns the backlight on and it will stay lit for a certain period of time depending on the screen.

When the backlight is off, pressing any button turns the backlight on and does not perform its function. (except for the [ON/OFF] button)

⑥ ON/OFF lamp

This lamp lights up in green while the unit is in operation. It blinks while the remote controller is starting up or when there is an error.

⑦ Function button [F1]

Main display: Press to change the operation mode.
Main menu: Press to move the cursor down.

⑧ Function button [F2]

Main display: Press to decrease temperature.
Main menu: Press to move the cursor up.

⑨ Function button [F3]

Main display: Press to increase temperature.
Main menu: Press to go to the previous page.

⑩ Function button [F4]

Main display: Press to change the fan speed.
Main menu: Press to go to the next page.

7. Test run

Step 1 Switch the remote controller to "Test run".

- ① Select "Service" from the Main menu, and press the button.
- ② When the Service menu is selected, a window will appear asking for the password. (Fig. 7-3)
To enter the current maintenance password (4 numerical digits), move the cursor to the digit you want to change with the [F1] or [F2] button, and set each number (0 through 9) with the [F3] or [F4] button. Then, press the button.

Note: The initial maintenance password is "9999". Change the default password as necessary to prevent unauthorized access. Have the password available for those who need it.

Note: If you forget your maintenance password, you can initialize the password to the default password "9999" by pressing and holding the [F1] and [F2] buttons simultaneously for three seconds on the maintenance password setting screen.

- ③ Select "Test run" with the [F1] or [F2] button, and press the button. (Fig. 7-4)
- ④ Select "Test run" with the [F1] or [F2] button, and press the button. (Fig. 7-5)

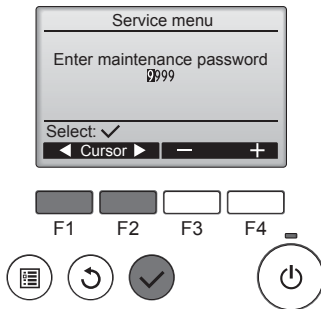


Fig. 7-3

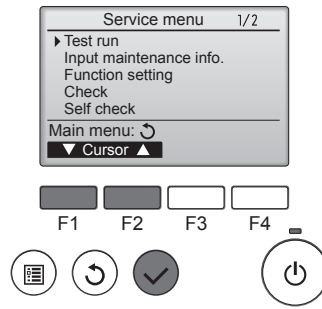


Fig. 7-4

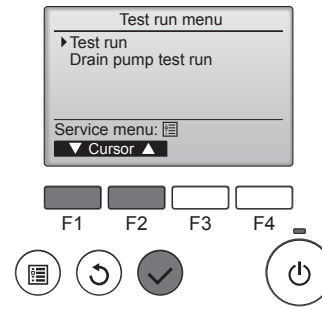


Fig. 7-5

Step 2 Perform the test run and check the airflow temperature and auto vane.

- ① Press the [F1] button to go through the operation modes in the order of "Cool" and "Heat". (Fig. 7-6)
Cool mode: Check the cold air blow off.
Heat mode: Check the heat blow off.
* Check the operation of the outdoor unit's fan.
- ② Press the button and open the Vane setting screen.

AUTO vane check

- ① Check the auto vane with the [F1] [F2] buttons. (Fig. 7-7)
- ② Press the button to return to "Test run operation".
- ③ Press the button.

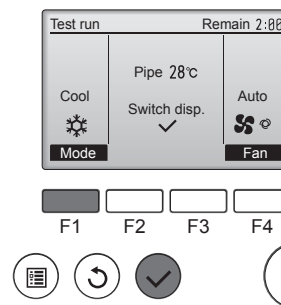


Fig. 7-6

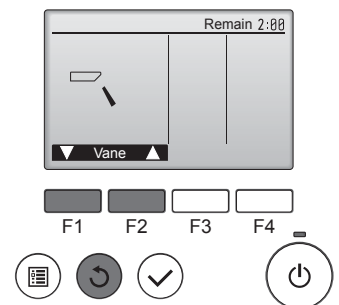
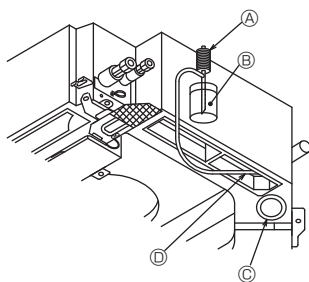


Fig. 7-7



- Ⓐ Water supply pump
- Ⓑ Water (about 1000cc)
- Ⓒ Drain plug
- Ⓓ Pour water through outlet
- Be careful not to spray water into the drain pump mechanism.

Fig. 7-8

7.4. Check of drainage (Fig. 7-8)

- Ensure that the water is being properly drained out and that no water is leaking from joints.

When electric work is completed.

- Pour water during cooling operation and check.

When electric work is not completed.

- Pour water during emergency operation and check.

* Drain pan and fan are activated simultaneously when single phase 220 - 240 V is turned on to L and N on terminal block after the connector (SWE) on controller board in the electrical branch box is set to ON.

Be sure to turn it back to the former state after work.

Содержание

1. Меры предосторожности.....	72	5. Электрические работы	77
2. Установка внутреннего прибора.....	72	6. Установка вентиляционной решетки.....	81
3. Подсоединение дренажной трубы	74	7. Выполнение испытания.....	84
4. Подсоединение водяных труб	75		

Примечание:
 В этом руководстве по использованию аппарата фраза “проводной пульт дистанционного управления” относится к пульту дистанционного управления PAR-32МАА.
 Сведения о других пультах дистанционного управления приводятся в руководстве по установке или руководстве по начальным настройкам, находящемся в этих коробках.

1. Меры предосторожности

- ▶ До установки прибора убедитесь, что Вы прочли все “Меры предосторожности”.
- ▶ Пожалуйста, перед подключением данного оборудования к системе электропитания, сообщите об этом своему поставщику электропитания или получите его разрешение.

⚠ Предупреждение:
 Описывает меры предосторожности, необходимые для предотвращения получения травмы или гибели пользователя.

⚠ Осторожно:
 Описывает меры предосторожности, необходимые для предотвращения повреждения прибора.

После окончания установочных работ проинструктируйте пользователя относительно правил эксплуатации и обслуживания аппарата, а также ознакомьте с разделом “Меры предосторожности” в соответствии с информацией, приведенной в Руководстве по использованию аппарата, и выполните тестовый прогон аппарата для того, чтобы убедиться, что он работает нормально. Обязательно передайте пользователю на хранение экземпляры Руководства по установке и Руководства по эксплуатации. Эти Руководства должны быть переданы и последующим пользователям данного прибора.

- ⚠ Предупреждение:**
- Обратитесь к дилеру или квалифицированному технику для выполнения установки кондиционера воздуха.
 - Запрещается самостоятельный ремонт или перемещение прибора.
 - Устанавливайте прибор в месте, способном выдержать его вес.
 - Используйте для проводки указанные кабели. Убедитесь, что кабели надежно соединены, а оконечные соединения не натянуты. Никогда не соединяйте кабели внахлест (если иное не указано в прилагаемой документации). Несоблюдение этих инструкций может привести к перегреву или возгоранию.
 - Используйте только те дополнительные принадлежности, на которые имеется разрешение от Mitsubishi Electric; для их установки обращайтесь к дилеру или уполномоченному специалисту по установке.
 - Не прикасайтесь к лопастям теплообменника.

- ⚠ Осторожно:**
- Не используйте кондиционер воздуха в местах содержания продуктов, домашних животных, растений, точных приборов или предметов искусства.
 - Не используйте кондиционер воздуха в особых условиях.
 - Заземлите прибор.
 - Установите прерыватель цепи, если требуется.
 - Используйте сетевой кабель достаточной мощности напряжения.
 - Используйте прерыватель цепи и предохранитель указанной мощности.
 - Не прикасайтесь к выключателям мокрыми руками.
 - Не используйте кондиционер воздуха, если его панели и крышки сняты.

2. Установка внутреннего прибора

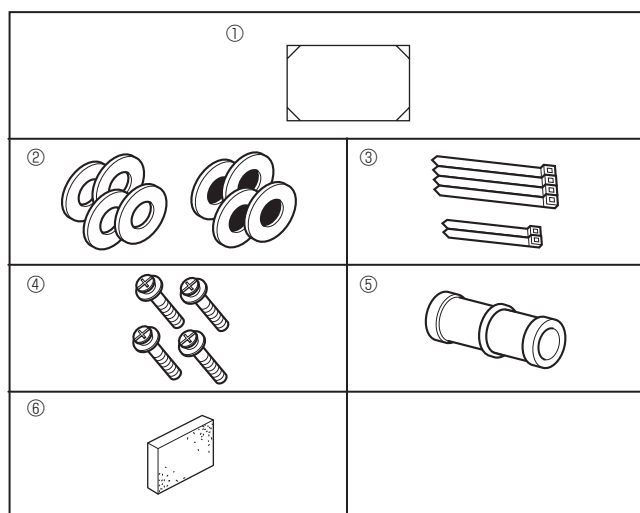


Fig. 2-1

- ⊘ : Указывает действие, которое следует избегать.
- ⚠ : Указывает на важную инструкцию.
- ⚡ : Указывает, что данная часть должна быть заземлена.
- ⚠ : Указывает на необходимость проявлять осторожность по отношению к вращающимся частям.
- ⚡ : Указывает на необходимость отключения главного выключателя перед проведением техобслуживания.
- ⚠ : Опасайтесь электротока.
- ⚠ : Опасайтесь горячих поверхностей.
- ⚡ ELV : При проведении техобслуживания отключите электропитание как внутреннего, так и наружного прибора.

⚠ Предупреждение:
 Материально прочтите текст на этикетках главного прибора.

⚠ Осторожно:
 Устройства данного класса доступны только для специалистов.
 Устанавливайте внутренний прибор на высоте не менее 2,5 м от пола или уровня грунта.

- Устанавливайте кондиционер согласно инструкциям, приведенным в данном Руководстве по установке.
- Все электроработы должны выполняться квалифицированным электриком, имеющим соответствующую лицензию, в соответствии с местными нормативами.
- Установку необходимо выполнять в соответствии с действующими правилами электробезопасности.
- Поврежденный кабель из комплекта поставки должен быть заменен в целях безопасности производителем, сервисным агентом или лицами, обладающими необходимой квалификацией.
- Вырубленные грани отпрессованных деталей могут нанести травмы - порезы и т.д. Просим установщиков надевать защитную одежду, например, перчатки и т.д.

- Не отключайте питание немедленно после выключения прибора.
- Если прибор работает длительное время и выше потолка присутствует воздух высокой температуры/высокой влажности (выше точки росы 26 °C), во внутреннем приборе или на потолочных материалах может возникнуть конденсация росы. При эксплуатации приборов в таких условиях, на всю поверхность прибора и потолочных материалов следует добавлять изоляционный материал (10–20 мм), чтобы предотвратить конденсацию росы.

2.1. Проверьте наличие дополнительных принадлежностей к внутреннему прибору (Fig. 2-1)

Внутренний прибор должен поставляться в комплекте со следующими дополнительными принадлежностями:

	Название приспособления	Количество
①	Установочный шаблон	1
②	Прокладка (с изоляцией)	4
	Прокладка (без изоляции)	4
③	Лента (большая)	4
	Лента (малая)	2
④	Винт с прокладкой (M5 × 25) для установки решетки	4
⑤	Соединительная муфта для дренажа	1
⑥	Изоляция	1

2. Установка внутреннего прибора

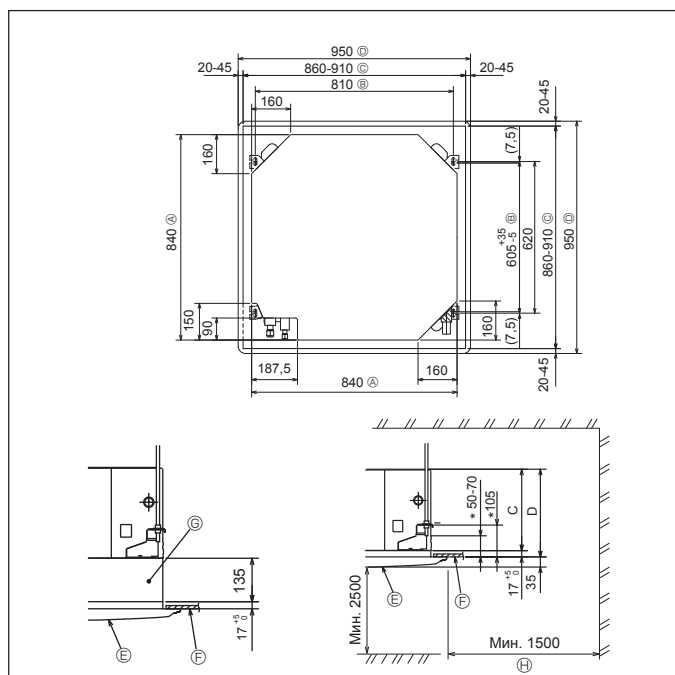


Fig. 2-2

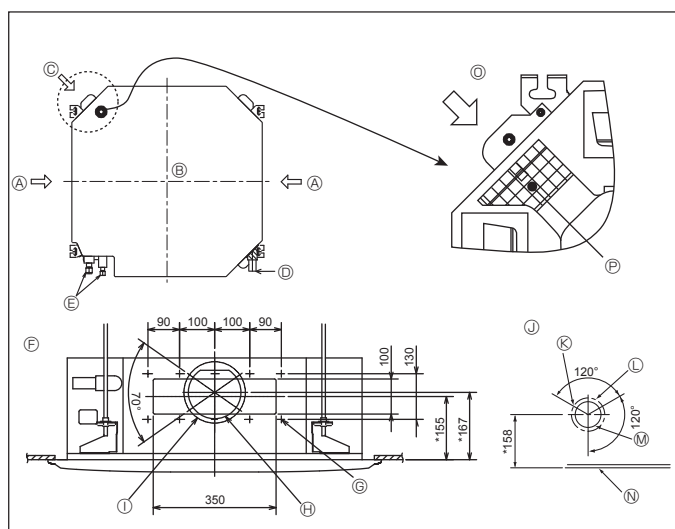


Fig. 2-3

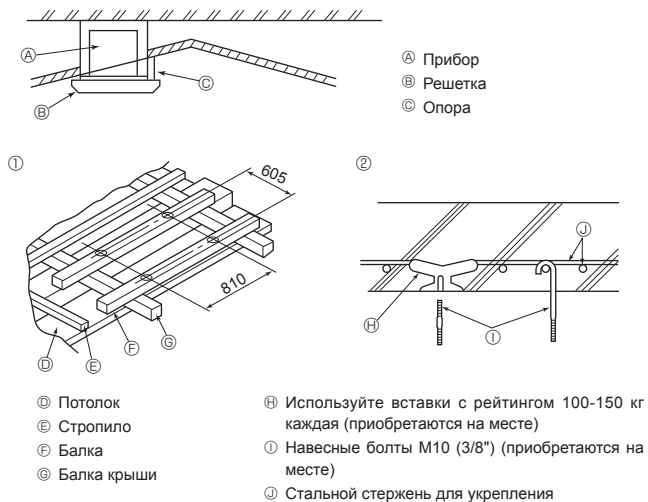


Fig. 2-4

2.2. Расположение отверстия в потолке и навесных болтов (Fig. 2-2)

⚠ Осторожно:
Устанавливайте внутренний прибор на высоте не менее 2,5 м от пола или уровня грунта.

- С помощью установочного шаблона (верх упаковки) и калибра (поставляется в комплекте дополнительных принадлежностей к решетке) проделайте отверстие в потолке таким образом, чтобы главный прибор можно было установить, как показано на диаграмме. (Метод использования шаблона и калибра указан.)
 - Прежде, чем использовать шаблон и калибр, проверьте их размеры, поскольку они меняются из-за перепадов температур и влажности.
 - Размер потолочного отверстия можно регулировать в пределах, указанных на Fig. 2-2, таким образом, чтобы отцентровать главный прибор в потолочном отверстии, обеспечив одинаковые зазоры по всем соответствующим противоположным сторонам.
- Используйте навесные болты М10 (3/8").
 - Навесные болты приобретаются на месте.
- Выполните установку, убедившись, что между потолочной панелью и решеткой, а также между главным прибором и решеткой нет зазора.
 - Внешняя сторона главного прибора
 - Шаг болта
 - Потолочное отверстие
 - Внешние стороны решетки
 - Решетка
 - Потолок
 - Многофункциональный оконный переплет (опция)
 - Общее пространство

* Отметьте, что расстояние между потолочной панелью прибора и потолком и т.д. должно быть от 10 до 15 мм влево.

* При установке опционального многофункционального оконного переплета добавьте 135 мм к расстояниям, приведенным на рисунке.

Модели	C	D
32, 40, 50	241	258

2.3. Отверстие для ответвления вентиляционного канала и входное отверстие для свежего воздуха (Fig. 2-3)

Во время установки по мере необходимости используйте отверстия вентиляционного канала (вырезанные), расположенные в позициях, показанных на Fig. 2-3.

- Также можно проделать входное отверстие для свежего воздуха для опционального многофункционального оконного переплета.

Примечание:

- Цифры, помеченные * на рисунке представляют размеры основного прибора, не включая размеры опционального многофункционального оконного переплета.
- При установке многофункционального оконного переплета добавьте 135 мм к размерам, обозначенным на рисунке.
- При установке ответвлений вентиляционного канала тщательно оберните их изоляцией. В противном случае возможно образование конденсации и капание воды.
- Во время создания входного отверстия для свежего воздуха, убедитесь, что вы удалили изоляционный материал **Ⓢ**, который наложен на внутренний прибор.

- Отверстие для ответвления вентиляционного канала
- Внутренний прибор
- Входное отверстие для свежего воздуха
- Дренажная труба
- Водяная труба
- Диаграмма отверстия для ответвления вентиляционного канала (вид с обеих сторон)
- Отверстие 14- \varnothing 2,8
- Шаг отверстия \varnothing 175
- Диаграмма входного отверстия для свежего воздуха
- Отверстие 3- \varnothing 2,8
- Шаг отверстия \varnothing 125
- Вырезное отверстие \varnothing 100
- Потолок
- Подробный рисунок демонстрирующий удаление изоляционного материала
- Изоляционный материал

2.4. Подвесная конструкция (Обеспечьте прочность на месте подвешивания) (Fig. 2-4)

Потолочные конструкции могут быть разными, в зависимости от конструкции здания. Следует проконсультироваться со строительной и ремонтной организацией.

- Снятие потолочного покрытия: Потолок должен быть абсолютно горизонтальным и потолок (деревянные плиты и балки) следует укрепить, чтобы обеспечить защиту потолка от вибрации.
- Вырежьте участок потолочной плиты и снимите его.
- Укрепите края потолочной плиты по местам среза и закрепите ее дополнительным материалом по краям.
- При установке прибора на покотом потолке, вставьте опору между потолком и решеткой так, чтобы прибор был установлен горизонтально.

- Деревянные конструкции
 - В качестве укрепления используйте анкерные балки (одноэтажные дома) или балки перекрытия (двухэтажные дома).
 - Деревянные балки для подвешивания кондиционера должны быть прочными и их боковые стороны должны быть длиной не менее 6 см, если балки разделяются не более, чем 90 см; их боковые стороны должны быть длиной не менее 9 см, если балки разделяются расстоянием 180 см. Размер навесных болтов должен быть ≥ 10 (3/8"). (Болты не поставляются вместе с прибором.)
- Железобетонные конструкции
 - Закрепляйте навесные болты, используя указанный метод, или используйте стальные или деревянные подвесные крепления и т.д. для установки навесных болтов.

2. Установка внутреннего прибора

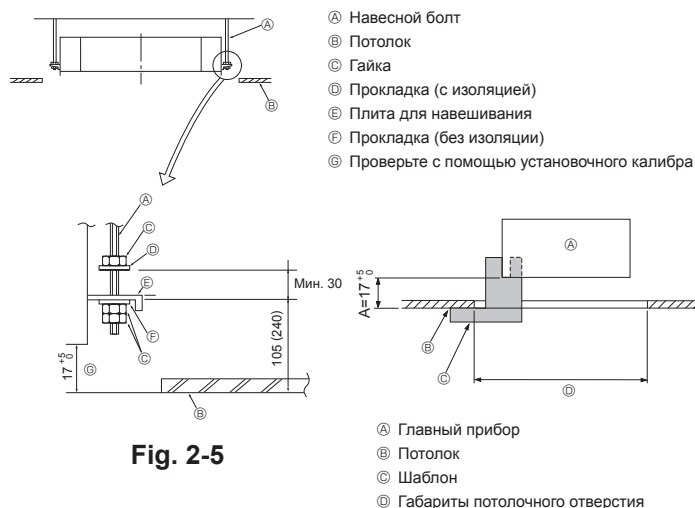


Fig. 2-5

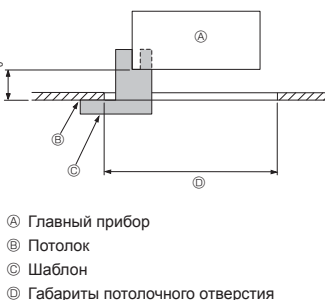


Fig. 2-6

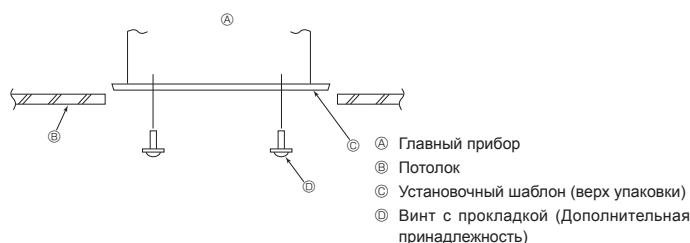


Fig. 2-7

3. Подсоединение дренажной трубы

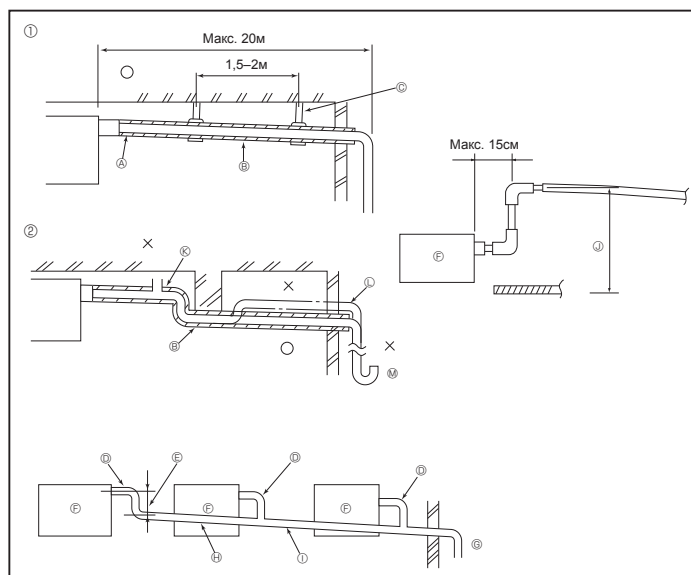


Fig. 3-1

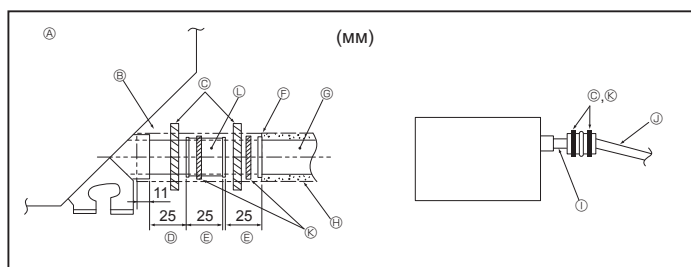


Fig. 3-2

2.5. Порядок подвешивания прибора (Fig. 2-5)

Подвешивайте главный прибор, как указано на диаграмме. Цифры, указанные в круглых скобках, представляют расстояния в случае установки опционального многофункционального оконного переплета.

1. Заранее установите детали на навесные болты в следующем порядке: прокладку (с изоляцией), прокладку (без изоляции) и гайки (двойные).
- Установите прокладку с изоляцией таким образом, чтобы изоляция была направлена вниз.
- При использовании верхних прокладок для подвешивания главного прибора нижние прокладки (с изоляцией) и гайки (двойные) устанавливаются позднее.
2. Поднимите прибор на требуемую высоту до навесных болтов, чтобы вставить плиту для навешивания прибора между прокладками, а затем надежно закрепите ее.
3. Если нельзя совместить главный прибор с отверстием для навешивания на потолок, регулировка производится с помощью щели, имеющейся на плите для навешивания прибора.
- Убедитесь в том, что операция A выполняется в пределах 17-22 мм. Несоблюдение данного предела может в результате привести к повреждениям. (Fig. 2-6)

⚠ Осторожно:

Используйте верхнюю половину коробки в качестве защитного кожуха для предотвращения попадания пыли и мусора внутрь прибора до установки декоративной крышки или при нанесении потолочных материалов.

2.6. Проверка расположения главного прибора и затягивание навесных болтов (Fig. 2-7)

- С помощью калибра, прикрепленного к решеткам, убедитесь, что низ главного прибора ориентирован должным образом по отношению к потолочному отверстию. Подтвердите это, в противном случае возможно капание конденсации вследствие проникновения воздуха и т.д.
- Убедитесь, что главный прибор установлен строго по горизонтали: используйте уровень или виниловую трубку, наполненную водой.
- После проверки расположения главного прибора надежно затяните гайки навесных болтов, чтобы закрепить главный прибор.
- Установочный шаблон (верх упаковки) можно использовать в качестве защитного кожуха для предотвращения попадания пыли внутрь главного прибора, пока решетки не установлены, или при отделке потолка по окончании установки прибора.
- * Дополнительная информация по монтажу приводится на самом установочном шаблоне.

3.1. Дренажные трубы (Fig. 3-1)

Используйте трубы VP25 (O.D. 32 PVC TUBE) для дренажа, при этом обеспечьте наклон 1/100 или более.

- Для соединения труб используйте клей семейства ПВ.
- Следуйте схематическому рисунку при подсоединении труб.
- Для изменения направления дренажа используйте входящий в комплект поставки дренажный шланг.

- 1 Правильное соединение труб
- 2 Неправильное соединение труб
- A Изоляция (9 мм или больше)
- B Наклон вниз (1/100 или больше)
- C Поддерживающий металл
- D Выпуск воздуха
- E Поднятие
- F Ловушка запахов

Сгруппированные трубы

- O. D. 32 PVC TUBE
- Сделайте ее как можно большей
- Внутренний прибор
- Устанавливайте трубы большого размера для сгруппированных труб
- Наклон вниз (1/100 или больше)
- O. D. 38 PVC TUBE для сгруппированных труб. (9 мм изоляция или больше)
- До 85 см

1. Подсоедините соединительную муфту для дренажа (входит в комплект поставки прибора) к дренажному порту. (Fig. 3-2) (Закрепите трубу с помощью клея ПВХ, а затем с помощью ленты.)
2. Установите дренажные трубы (закупаются на месте). (Трубы из ПВХ, O.D. 32.) (Закрепите трубу с помощью клея ПВХ, а затем с помощью ленты.)
3. Оберните изоляцию вокруг труб. (Трубы из ПВХ, O.D. 32 и гнездо)
4. Проверьте дренирование.
5. Изолируйте дренажный порт изоляционным материалом, затем закрепите материал лентой. (Изоляция и лента входят в комплект прибора.)

- A Прибор
- B Изоляция
- C Лента (большая)
- D Дренажный порт (неподготовленный)
- E Запас
- F Соответствие
- G Дренажная труба (Трубы из ПВХ, O.D. 32)
- H Изоляция (приобретается на месте)
- I Неподготовленная труба из ПВХ
- J Трубы из ПВХ, O.D. 32 (Наклон 1/100 или более)
- K Лента (малая)
- L Соединительная муфта для дренажа

4. Подсоединение водяных труб

При установке соблюдайте следующие меры предосторожности.

4.1. Важные замечания по установке системы водяного трубопровода

- Сопротивление давлению воды водяных труб в тепловыделяющем приборе составляет 1,0 МПа [145 фунтов на кв. дюйм].
- Подсоедините водяной трубопровод каждого внутреннего прибора к соединительному порту на НВС. Невыполнение этого приведёт к неправильной работе.
- Перечислите внутренние приборы на указательной пластинке в приборе НВС с адресами и номерами концевых соединений.
- Если количество внутренних приборов меньше, чем количество портов на НВС, неиспользуемые порты могут быть закрыты. Без закрывания будет течь вода.
- Используйте способ обратного возврата, чтобы обеспечить должное сопротивление труб к каждому прибору.
- Обеспечьте стыки и выпуклости вокруг входа/выхода каждого прибора для облегчения обслуживания, проверки и замены.
- Установите подходящий воздушный клапан на водяной трубе. После пропускания воды через трубу выпустите весь избыточный воздух.
- Закрепите трубы металлическими соединителями, располагая их в положениях, предохраняющих трубы от разрыва и изгиба.
- Не путайте трубопроводы забора и выпуска воды. Если пробный запуск будет проведен с неправильно установленными трубопроводами (вход подсоединен к выходу и наоборот), на пульте ДУ отобразится код ошибки 5102.
- Данный прибор не содержит нагреватель для предотвращения замерзания в трубах. Если поток воды останавливается при низкой окружающей температуре, слейте воду.
- Неиспользуемые выбиваемые отверстия следует закрыть, а подводные отверстия для труб хладагента, воды, для электропитания и проводов связи следует заделать замазкой.
- Установите водяную трубу так, чтобы поддерживалась скорость потока воды.
- Наматывайте уплотняющую ленту следующим образом.
 - ① Обмотайте соединение уплотняющей лентой по направлению резьбы (по часовой стрелке), не наматывайте ленту поверх края.
 - ② Перекрывайте уплотняющую ленту от двух третей до трёх четвертей её ширины на каждый виток. Прижимайте ленту пальцами, чтобы она обтягивалась вокруг каждого витка резьбы.
 - ③ Не обматывайте от 1,5 до 2 витков резьбы, наиболее удалённых от конца трубы.

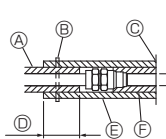


Fig. 4-1

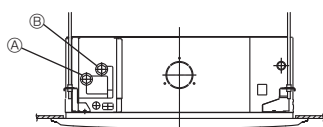


Fig. 4-2

- Ⓐ Производимый на месте изолирующий материал для труб
- Ⓑ Стяните здесь, используя хомут или ленту.
- Ⓒ Не оставляйте никаких отверстий.
- Ⓓ Запас нахлёста: более чем 40 мм
- Ⓔ Изолирующий материал (местной поставки)
- Ⓕ Изолирующий материал со стороны прибора

- Ⓐ Водяная труба: К прибору НВС
- Ⓑ Водяная труба: От прибора НВС

- При установке труб или фильтра удерживайте трубу на месте со стороны прибора гаечным ключом. Затягивайте винты до момента 40 Н·м.
- Если существует угроза замерзания, проведите процедуру для его предотвращения.
- При подсоединении водяного трубопровода тепловыделяющего прибора и локального водяного трубопровода перед соединением нанесите на уплотняющую ленту жидкий герметик для водяного трубопровода.
- Не используйте стальные трубы в качестве водяных труб.
 - Рекомендуются медные трубы.
- Установите фильтр (40 меш или более) на трубе за краном для удаления посторонних материалов.
- Обязательно выполните обработку для предотвращения конденсации на входе и выходе водяных труб и на кране. Обеспечьте соответствующую обработку на концевой поверхности материала, защищающего от конденсации, для удержания конденсата снаружи.
- После подачи воды в водяной трубопровод удалите из системы воздух. Подробности по удалению воздуха приведены отдельно в руководстве по обслуживанию водяной цепи.

4.2. Теплоизоляция водяной трубы

1. Подсоедините водяные трубы каждого внутреннего прибора к тем же (правильным) номерам концевых соединений, как показано на участке подсоединения внутренних приборов каждого контроллера НВС. При соединении с неправильными номерами концевых соединений не будет нормальной работы.
2. Перечислите названия моделей внутренних приборов на указательной пластинке на коробке управления контроллера НВС (для целей идентификации) и номера концевых соединений контроллера НВС и номера адресов на указательной пластинке на стороне внутреннего прибора. Загерметизируйте неиспользуемые концевые соединения с помощью крышек (продаются отдельно). Невыполнение установки концевой крышки приведёт к утечке воды.
3. Обязательно проведите работу по изоляции водяного трубопровода путём покрытия системы водяного трубопровода отдельно термостойким полиэтиленом достаточной толщины, так, чтобы не наблюдался зазор между внутренним прибором и изолирующим материалом, и самими изолирующими материалами. Если теплоизоляция выполнена недостаточно, существует возможность конденсации и т.п. Уделите особое внимание работе по изоляции в потолочной камере. [Fig. 4-1]

- Изолирующие материалы для труб, которые следует добавлять на месте, должны удовлетворять следующим критериям:

Контроллера НВС -внутренний прибор	20 мм или более
---------------------------------------	-----------------

- Эти характеристики основаны на использовании меди для водяных трубопроводов. При использовании пластикового трубопровода выберите толщину на основе характеристик пластиковой трубы.
- Установка труб в среде с высокой температурой и высокой влажностью, например, на верхнем этаже здания, может потребовать использования изоляционных материалов большей толщины, чем указана в таблице выше.
- Если должны удовлетворяться определённые характеристики, указанные клиентом, убедитесь, что они также удовлетворяют характеристикам вышеприведенной таблицы.
- 4. Загерметизируйте систему водяных трубопроводов, краны и систему дренажных трубопроводов. Загерметизируйте на всём протяжении, включая концы труб, так, чтобы конденсат не мог проникнуть в изолированную систему трубопровода.
- 5. Нанесите уплотнение вокруг концов изоляции, чтобы предотвратить попадание конденсата между системой трубопровода и изоляцией.
- 6. Добавьте дренажный клапан, чтобы прибор и трубопровод могли дренироваться.
- 7. Убедитесь, что в теплоизоляции трубопроводов нет зазоров. Изолируйте трубопровод непосредственно до прибора.
- 8. Убедитесь, что наклон трубопровода дренажного поддона таков, что слив может только выходить наружу.

4. Подсоединение водяных труб

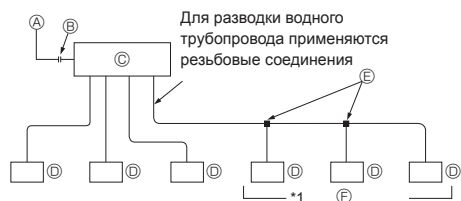


Fig. 4-3

- Ⓐ К внешнему прибору
- Ⓑ Концевое соединения (пайка твёрдым припоем)
- Ⓒ Контроллера НВС
- Ⓓ Внутренний прибор
- Ⓔ Разветвительная трубка (местной поставки)
- Ⓕ До трёх приборов на 1 отверстие ветки; суммарная ёмкость: менее 80 (но в одном режиме, охлаждение/обогрев)

Примечание:

*1. Подсоединение нескольких внутренних приборов одним соединением (или соединительной трубой)

- Общее допустимое количество подсоединяемых внутренних приборов: Менее чем 80
- Количество подсоединяемых внутренних приборов: Максимально 3 набора
- Выбор водяного трубопровода
Выберите размер в соответствии с общей производительностью внутренних приборов, устанавливаемых далее по потоку.
- Сгруппируйте приборы, работающие на 1 ветке.

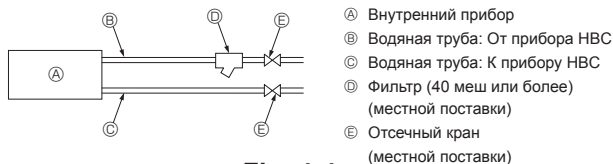


Fig. 4-4

- Ⓐ Внутренний прибор
- Ⓑ Водяная труба: От прибора НВС
- Ⓒ Водяная труба: К прибору НВС
- Ⓓ Фильтр (40 меш или более) (местной поставки)
- Ⓔ Отсечный кран (местной поставки)

9. Размеры соединений водяной трубы НВС

Модель прибора	Размер соединения		Размер трубы		Объём воды (л)
	Вход воды	Выход воды	Выход воды	Возврат воды	
PLFY-WP32VBM	Резьба Rc 3/4	Резьба Rc 3/4	Внутренний диаметр ≥ 20 мм	Внутренний диаметр ≥ 20 мм	1,5
PLFY-WP40VBM					1,5
PLFY-WP50VBM					1,5

10. Обратитесь к [Рис. 4-4] при подсоединении источника воды.

11. Установите отсечный кран и фильтр в месте, доступном для работы и облегчающем выполнение техобслуживания.
12. Установите теплоизоляцию на систему трубопроводов внутреннего прибора, фильтр, отсечный клапан и редукционный клапан.
13. Не используйте ингибитор коррозии в водяной системе.

4.3. Обработка воды и контроль за качеством воды

Для сохранения качества воды используйте замкнутый тип водяной цепи. Когда качество циркулирующей жидкости низкое, на водном теплообменнике возможно образование накипи, что приводит к снижению эффективности теплообмена и возможной коррозии теплообменника. Пожалуйста обратите особое внимание на обработку воды и на контроль за ее качеством при установке системы циркулирующей жидкости.

- Удаление посторонних предметов или загрязнений из внутренностей труб
Во время установки следите за тем, чтобы посторонние предметы, такие как частицы окислы от сварки, частицы герметизирующих материалов или пыль, не попали в трубы.
- Контроль за качеством воды
 - ① В зависимости от качества холодной воды, используемой в кондиционере воздуха, возможна коррозия медных труб теплообменника. Мы рекомендуем проводить систематический контроль за качеством воды. При установке бака подачи воды сведите его контакт с воздухом к минимуму и поддерживайте уровень растворенного в воде кислорода не более 1 mg/l.

- ② Стандарт качества воды

Элементы	Водяная система нижней части среднего диапазона Температура воды		Тенденция		
	Оборотная вода [20<T<60°C]	Добавочная вода	Едкое	Накипеобразование	
Стандартные элементы	pH (25°C)	7,0 ~ 8,0	7,0 ~ 8,0	○	○
	Электропроводность (mS/m) (25°C) (μ s/cm) (25°C)	30 или менее [300 или менее]	30 или менее [300 или менее]	○	○
	Ионы хлорида (mg Cl-/l)	50 или менее	50 или менее	○	○
	Ионы сульфата (mg SO4 ²⁻ /l)	50 или менее	50 или менее	○	○
	Расход кислоты (pH4,8) (mg CaCO ₃ /l)	50 или менее	50 или менее		○
	Общая жесткость (mg CaCO ₃ /l)	70 или менее	70 или менее		○
	Кальциевая жесткость (mg CaCO ₃ /l)	50 или менее	50 или менее		○
	Ионный диоксид кремния (mg SiO ₂ /l)	30 или менее	30 или менее		○
Эталонные элементы	Железо (mg Fe/l)	1,0 или менее	0,3 или менее	○	
	Медь (mg Cu/l)	1,0 или менее	0,1 или менее	○	
	Ионы сульфида (mg S ₂ -/l)	не должно обнаруживаться	не должно обнаруживаться	○	
	Ионы аммония (mg NH ₄ +/l)	0,3 или менее	0,1 или менее	○	
	Остаточный хлор (mg Cl/l)	0,25 или менее	0,3 или менее	○	
	Свободный диоксид углерода (mg CO ₂ /l)	0,4 или менее	4,0 или менее	○	
	Коэффициент стабильности Райзнера	6,0 ~ 7,0	—	○	○

Справочные материалы: Нормативы по качеству воды для холодильного оборудования и оборудования кондиционирования воздуха (JRA GL02E-1994)

- ③ Пожалуйста проконсультируйтесь у специалиста по методам контроля качества воды о методах контроля качества воды и о расчете качества перед тем, как использовать антикоррозийные растворы для обеспечения качества воды.
- ④ При замене ранее установленного устройства кондиционирования воздуха (даже если производится только замена теплообменника), сначала проведите анализ качества воды и проведите проверку на возможную коррозию. Коррозия в системах циркуляции холодной воды может иметь место даже при отсутствии признаков коррозии в прошлом. При снижении качества воды пожалуйста откорректируйте его до необходимых стандартов перед заменой прибора.

5. Электрические работы

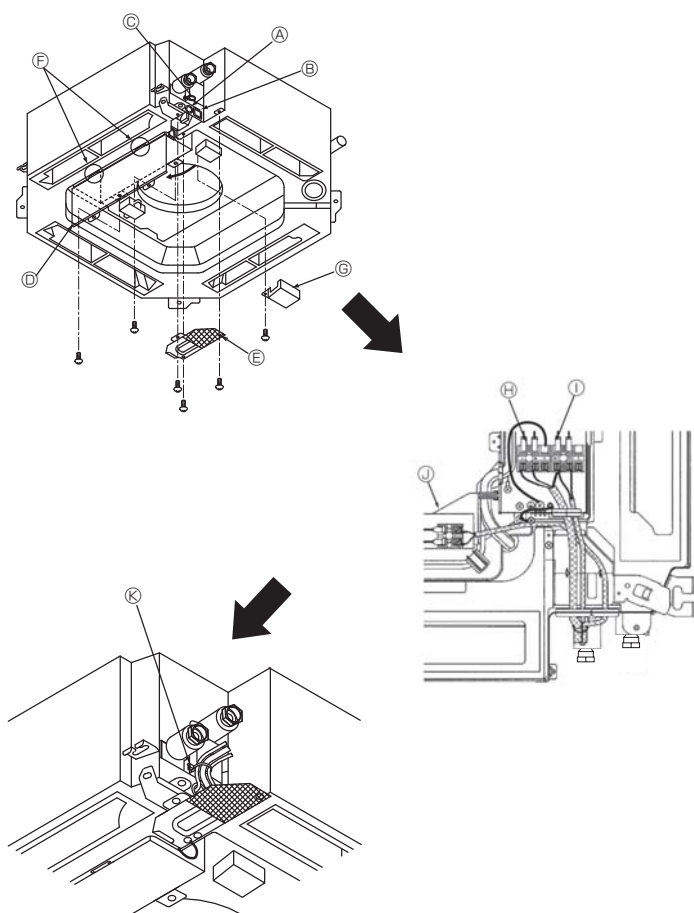


Fig. 5-1

5.1. Внутренний прибор (Fig. 5-1)

1. Снимите сервисную панель электропроводки.
 2. Снимите крышку распределительного щита.
 3. Снимите крышку пульта дистанционного управления МА.
 4. Проложите силовой кабель и кабель управления отдельно через соответствующие входы для электропроводки, показанные на рисунке.
- Не допускайте ослабления винтов клемм.
 - Оставьте такой излишек кабеля, чтобы во время обслуживания крышку распределительного щита можно было повесить под блоком (примерно 50-100 мм).
- Ⓐ Вход для кабеля пульта дистанционного управления
 - Ⓑ Вход для силового кабеля и кабеля управления
 - Ⓒ Зажим
 - Ⓓ Крышка распределительного щита
 - Ⓔ Сервисная панель электропроводки
 - Ⓕ Крюк для временной фиксации крышки распределительного щита
 - Ⓖ Крышка пульта дистанционного управления МА.
 - Ⓜ Клеммы электропитания (с клеммой заземления) (L, N, ⊕)
 - Ⓜ Передающие клеммы (M1, M2, S)
 - Ⓜ Клемма пульта дистанционного управления МА (1, 2)
 - Ⓜ Зафиксируйте с помощью зажима

5.2. Электропроводка для подвода питания

- Диаметр проводов должен соответствовать применимым местным и национальным нормам.
- Кабель заземления должен быть длиннее, чем остальные кабели.
- Коды для электропитания прибора должны быть не меньше, чем по дизайну 60245 IEC 53 или 60227 IEC 53.
- При установке кондиционера воздуха необходимо обеспечить выключатель с расстоянием между контактом и каждым полюсом минимум 3 мм.

[Fig. 5-2]

- Ⓐ Устройство защитного отключения
- Ⓑ Вводной автоматический выключатель/автоматический выключатель проводки
- Ⓒ Внутренний прибор
- Ⓓ Проходная коробка

⚠ Предупреждение:

Никогда не подсоединяйте внахлест силовой кабель или соединительный кабель внешнего питания. Это может привести к задымлению, возгоранию или неисправности.

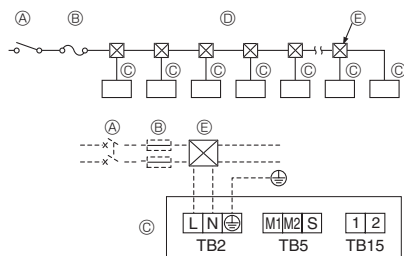


Fig. 5-2

5. Электрические работы

Общий рабочий ток внутреннего прибора	Минимальная толщина провода (мм ²)			Устройство защитного отключения *1	Вводной автоматический выключатель (А)		Автоматический выключатель проводки (без предохранителя)
	Магистральный кабель	Ответвление	Заземление		Мощность	Предохранитель	
F0 = 16 А или меньше *2	1,5	1,5	1,5	Чувствительность по току 20 А *3	16	16	20
F0 = 25 А или меньше *2	2,5	2,5	2,5	Чувствительность по току 30 А *3	25	25	30
F0 = 32 А или меньше *2	4,0	4,0	4,0	Чувствительность по току 40 А *3	32	32	40

Предельно допустимое полное сопротивление системы должно соответствовать стандарту IEC61000-3-3.

*1 Устройство защитного отключения должно поддерживать инверторную схему.

Устройство защитного отключения следует использовать совместно с вводным автоматическим выключателем или автоматическим выключателем проводки.

*2 В качестве значения "F0" следует использовать большее из значений "F1" или "F2".

F1 = максимальный общий рабочий ток внутренних приборов × 1,2

F2 = {V1 × (число внутренних приборов типа 1)/C} + {V1 × (число внутренних приборов типа 2)/C} + {V1 × (число внутренних приборов типа 3)/C} + {V1 × (число внутренних приборов других типов)/C}

Внутренний прибор		V1	V2
Тип 1	PLFY-VBM, PEFY-VMS, PFFY-VLRMM	18,6	2,4
Тип 2	PEFY-VMA	38	1,6

C : несколько значений тока расщепления при времени расщепления 0,01 с

Из характеристик расщепления автоматического выключателя выберите "С".

<Пример расчета "F2">

*Условие PEFY-VMS × 4 + PEFY-VMA × 1, C = 8 (см. типовый график справа)

$$F2 = 18,6 \times 4/8 + 38 \times 1/8$$

$$= 14,05$$

→ Автоматический выключатель 16 А (Ток расщепления = 8 × 16 А при 0,01 с)

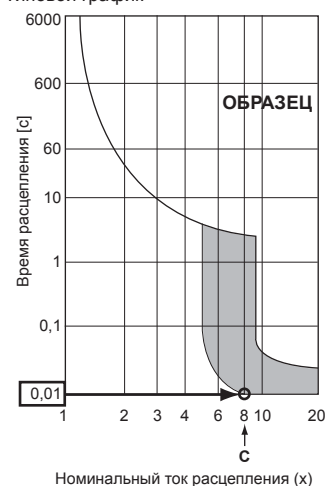
*3 Чувствительность по току рассчитывается по следующей формуле.

$$G1 = V2 \times (\text{число внутренних приборов типа 1}) + V2 \times (\text{число внутренних приборов типа 2}) + V2 \times (\text{число внутренних приборов типа 3}) + V2 \times (\text{число внутренних приборов других типов}) + V3 \times (\text{длина провода[км]})$$

G1	Чувствительность по току
30 или меньше	30 мА 0,1 с или меньше
100 или меньше	100 мА 0,1 с или меньше

Толщина провода	V3
1,5 мм ²	48
2,5 мм ²	56
4,0 мм ²	66

Типовой график



5.3. Типы кабелей управления

1. Проводка кабелей передачи

Типы кабелей передачи	Экранированный провод CVVS или CPEVS
Диаметр кабеля	Свыше 1,25 мм ²
Длина	Менее 200 м

2. Кабели дистанционного управления "M-NET"

Тип кабеля дистанционного управления	Экранированный провод MVVS
Диаметр кабеля	0,5 – 1,25 мм ²
Длина	Добавляется любой отрезок свыше 10 м в пределах самого длинного допустимого кабеля передачи длиной 200 м.

3. Кабели дистанционного управления "MA"

Тип кабеля дистанционного управления	2-жильный кабель (неэкранированный)
Диаметр кабеля	0,3 – 1,25 мм ²
Длина	Менее 200 м

5. Электрические работы

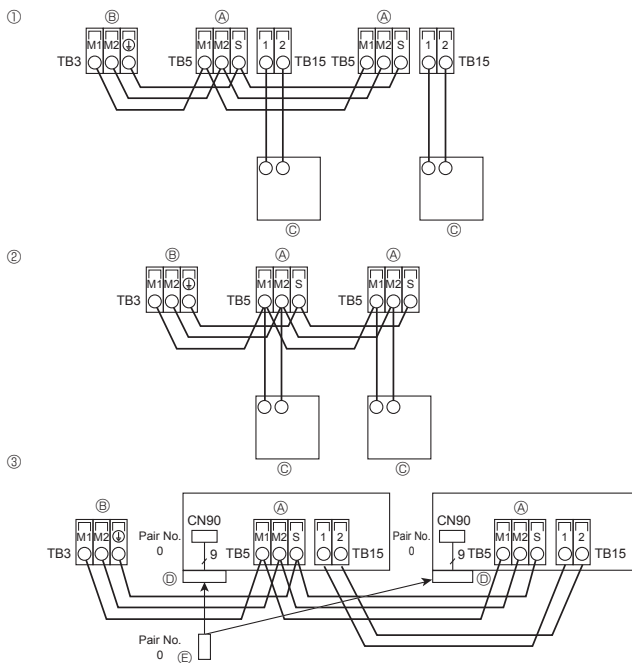


Fig. 5-3

5.4. Подсоединение пульта дистанционного управления, кабелей передачи внутри и снаружи (Fig. 5-3)

- Подсоедините внутренний прибор TB5 к внешнему прибору TB3 (неполяризованный двухжильный провод).
- Подсоедините "S" на внутреннем приборе TB5 - это соединение экранированного провода. Технические условия соединения кабелей указаны в руководстве по установке наружного прибора.
- Установите пульт дистанционного управления, следуя инструкциям, приведенным в поставленном вместе с ним руководстве.
- Подсоедините кабель передачи пульта дистанционного управления в пределах 10 м с помощью 0,75 мм². Если расстояние превышает 10 м, используйте для соединения кабель 1,25 мм².
- ① Пульт дистанционного управления "MA"
- Подсоедините "1" и "2" на TB15 внутреннего блока кондиционера к Пульту дистанционного управления "MA". (Неполяризованный 2-жильный кабель)
- Между 1 и 2 постоянный ток 9 - 13 В (Пульт дистанционного управления "MA")
- ② Пульт дистанционного управления "M-NET"
- Подсоедините "M1" и "M2" на TB5 внутреннего блока кондиционера к Пульту дистанционного управления "M-NET". (Неполяризованный 2-жильный кабель)
- Между M1 и M2 постоянный ток 24 - 30 В (Пульт дистанционного управления "M-NET")
- ③ Беспроводной пульт дистанционного управления (при установке беспроводного ресивера сигналов)
- Подсоедините провод беспроводной ресивера сигналов (9-полюсный кабель) к CN90 платы контроллера внутреннего прибора.
- При управлении более чем двумя приборами от одного пульта дистанционного управления подсоедините каждую пару TB15 к проводу с тем же номером.
- Порядок изменения настроек номера пары приведен в Руководстве по установке, поставляемому с беспроводным пультом дистанционного управления. (По умолчанию в настройках внутреннего прибора и беспроводного пульта дистанционного управления номер пары установлен на 0).
- Ⓐ Блок выводов для внутреннего кабеля передачи
- Ⓑ Блок выводов для внешнего кабеля передачи (M1(A), M2(B), ⊕(S))
- Ⓒ Пульт дистанционного управления
- Ⓓ беспроводной ресивер сигналов
- Ⓔ беспроводной пульт дистанционного управления

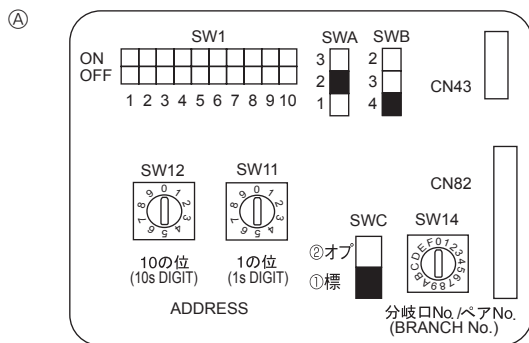


Fig. 5-4

5.5. Установка адресов (Fig. 5-4)

- (Убедитесь, что при выполнении этой работы подача электроэнергии отключена.)
- Имеются два способа установки поворотного переключателя: установка адресов от 1 до 9 и свыше 10, и установка номеров ветвей.
 - ① Установка адресов
 - Пример: Если адрес "3", оставьте SW12 (для свыше 10) на "0" и сопоставьте SW11 (для 1 - 9) с "3".
 - ② Как установить номера отделений SW14
 - Сопоставьте водную трубу внутреннего прибора с номером соединительной детали контроллера HBC.
 - Все поворотные переключатели настраиваются на заводе на "0". Эти переключатели могут использоваться для задания адресов и номеров ответвлений труб по желанию.
 - Определение адресов внутреннего прибора меняется при нахождении системы на сборочной площадке. Установите их с помощью справочника.

Ⓐ Адресный щит

5.6. Установка переключателей при высоком потолке или при изменении числа выходов воздуха (Fig. 5-4)

Данный прибор позволяет регулировать скорость воздушного потока и скорость работы вентилятора с помощью переключателя SWA/SWB (ползунковый переключатель). В таблице ниже выберите соответствующие параметры установки, в соответствии с местоположением прибора.

* Убедитесь, что переключатель SWA/SWB установлен, иначе могут возникнуть проблемы с охлаждением/обогревом.

■ PLFY-WP32, WP40, WP50VBM

SWB	SWA	①	②	③
		Бесшумный	Стандарт	Высокий потолок
④	4 направления	2,5 м	2,7 м	3,5 м
③	3 направления	2,7 м	3,0 м	3,5 м
②	2 направления	3,0 м	3,3 м	3,5 м

5.7. Определение температуры в помещении встроенным датчиком пульта дистанционного управления (Fig. 5-4)

Если Вы желаете определять температуру в помещении с помощью датчика, встроенного в пульт дистанционного управления, установите SW1-1 на щите управления в положение "ВКЛ". Установка в соответствующее положение SW1-7 и SW1-8 также предоставит возможность регулировать поток воздуха в те периоды, когда термометр отопления установлен на "ВЫКЛ."

5. Электрические работы

5.8. Электрические характеристики

Символы: МТЦ: максимальный ток в цепи (= 1,25×ТЭПН)
ТЭПН: ток электродвигателя при полной нагрузке
ЭВВ: электродвигатель внутреннего вентилятора

Выходная мощность: номинальная выходная мощность электродвигателя вентилятора

Модель	Источник электропитания		ЭВВ		
	Напряжение (В)/ Частота (Гц)	Диапазон напряжения +/- 10%	МТЦ (А)	Выходная мощность (кВт)	ТЭПН (А)
PLFY-WP32VBM-E	220-240 В / 50 Гц	Макс.: 264 В Мин.: 198 В	0,44	0,05	0,35
PLFY-WP40VBM-E			0,44	0,05	0,35
PLFY-WP50VBM-E			0,57	0,05	0,45

5.9. Для изменения направления воздушного потока вверх/вниз (только для пульта дистанционного управления)

- В PLFY-BM в помощью перечисленных ниже действий можно зафиксировать направление потока только для одного конкретного выпускного отверстия. После того как положение зафиксировано, при включении кондиционера заданное положение устанавливается только для этого отверстия. (Направление воздушного потока ВВЕРХ/ВНИЗ из других выпускных отверстий регулируется с помощью пульта дистанционного управления.)

■ Пояснение терминов

- "Адрес внутреннего устройства" – это номер, присваиваемый каждому кондиционеру.
- "№ выпускного отверстия" – это номер каждого выпускного отверстия кондиционера. (См. рисунок справа.)
- "Направление воздуха вверх/вниз" – это фиксируемое направление (угол).

Горизонтальный
воздушный поток



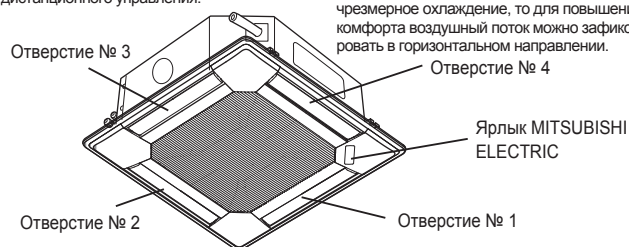
Установка пульта дистанционного управления

Направление воздушного потока из этого отверстия управляется установкой направления воздушного потока на пульте дистанционного управления.

Фиксация

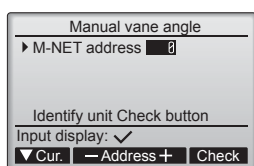
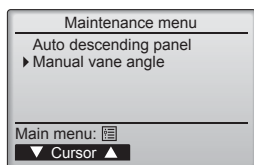
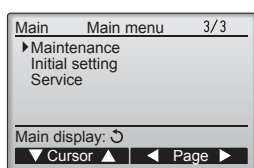
Направление воздушного потока из этого отверстия зафиксировано в нужном положении.

* Если прямой воздушный поток создает чрезмерное охлаждение, то для повышения комфорта воздушный поток можно зафиксировать в горизонтальном направлении.



Примечание: "0" означает все отверстия.

■ Ручная установка угла

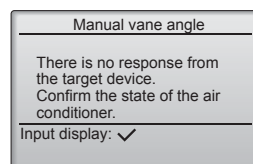
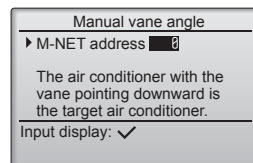
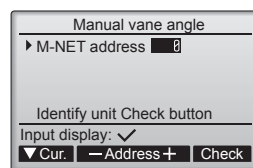


① Выберите "Maintenance" (Отладка) из Главного меню, и нажмите кнопку [ВЫБОР].

② С помощью кнопки [F1] или [F2] выберите "Manual vane angle" (Ручная установка угла), затем нажмите кнопку [ВЫБОР].

③ Выберите "M-NET address" (адрес M-NET) для блоков, чьи дефлекторы должны быть зафиксированы в неподвижном состоянии, с помощью кнопок [F2] или [F3], затем нажмите кнопку [ВЫБОР]. Нажмите кнопку [F4] для подтверждения блока. Лопатка только выбранного внутреннего прибора направляется вниз.

■ Процедура подтверждения



① Выберите "M-NET address" (адрес M-NET) для блоков, чьи дефлекторы должны быть зафиксированы в неподвижном состоянии, с помощью кнопок [F2] или [F3]. Нажмите кнопку [F4] для подтверждения блока.

② После нажатия кнопки [F4] выждите приблизительно 15 секунд, затем проверьте текущее состояние кондиционера.

→ Жалюзи должно быть направлено вниз. → Данный кондиционер отображается на пульте дистанционного управления.

→ Все выпускные отверстия закрыты. → Для продолжения операции с начала нажмите кнопку [ВОЗВРАТ].

→ Отображаются сообщения, приведенные слева. → По данному адресу хладагента указанное устройство не существует.

• Нажмите кнопку [ВОЗВРАТ] для возврата к исходному экрану.

③ В параметре "M-NET address" (адрес M-NET) укажите следующий порядковый номер.

• См. шаг ① для изменения параметра "M-NET address" (адрес M-NET) и продолжения процедуры подтверждения.

6. Установка вентиляционной решетки

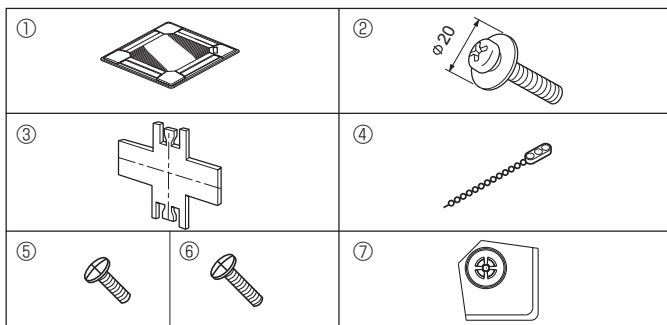


Fig. 6-1

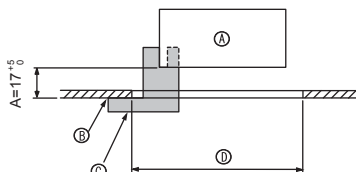


Fig. 6-2

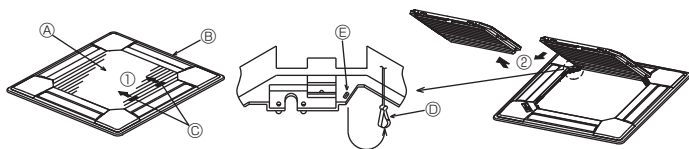


Fig. 6-3

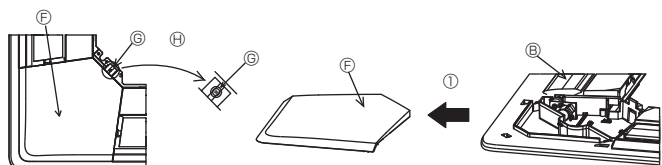


Fig. 6-4

	4 направления	3 направления
Шаблоны направлений выдува	1 шаблон: заводская установка 	4 шаблона: 1 воздуховод полностью закрыт
Шаблоны направлений выдува	2 направления 6 шаблонов: 2 воздуховода полностью закрыты 	

Таблица 1

6.1. Проверка содержимого комплекта (Fig. 6-1)

- В данном комплекте имеется настоящее руководство и нижеперечисленные части.

	Название приспособления	Количество	Замечание
①	Решетка	1	950 × 950 (мм)
②	Винт с привязной прокладкой	4	M5 × 0,8 × 25
③	Шаблон	1	(Поделен на четыре части)
④	Фиксатор	3	
⑤	Винт	4	4 × 8
⑥	Винт	1	4 × 12
⑦	Угловая панель i-see sensor	1	для PLP-6BAE

6.2. Подготовка к установке вентиляционной решетки (Fig. 6-2)

- С помощью поставленного в комплекте шаблона ③ отрегулируйте и проверьте положение устройства по отношению к потолку. При неверном расположении устройства по отношению к потолку возможно прохождение воздуха или накопление конденсации.
 - Убедитесь в том, что отверстие в потолке имеет следующие допустимые размеры: 860 × 860 - 910 × 910
 - Убедитесь в том, что операция А выполняется в пределах 17-22 мм. Несоблюдение данного предела может в результате привести к повреждениям.
- А Главный прибор
 Б Потолок
 В Шаблон (Вставлен в устройство)
 Г Габариты потолочного отверстия

6.2.1. Удаление воздухозаборной решетки (Fig. 6-3)

- Сдвиньте рычаги в направлении, обозначенном стрелкой ①, чтобы открыть воздухозаборную решетку.
- Снимите с защелки крюк, удерживающий вентиляционную решетку.
* Не снимайте с защелки крюк воздухозаборной решетки.
- Пока воздухозаборная решетка находится в "открытом" положении, удалите стержень воздухозаборной решетки с вентиляционной решетки в направлении стрелки ②.

6.2.2. Удаление угловой панели (Fig. 6-4)

- Удалите винт из угла угловой панели. Для удаления угловой панели сдвиньте угловую панель в направлении стрелки ①.

[Fig. 6-3, 6-4]

- А Воздухозаборная решетка
 Б Вентиляционная решетка
 В Рычаги воздухозаборной решетки
 Г Крюк вентиляционной решетки
 Д Отверстие для крюка вентиляционной решетки
 Е Угловая панель
 Ж Винт
 З Деталь

6.3. Выбор вытяжных отверстий

В данной вентиляционной решетке имеется 11 образцов направления выдува. Кроме того, с помощью настройки пульта дистанционного управления на соответствующие значения Вы можете регулировать поток воздуха и его скорость. Выберите требуемые установки из Таблицы 1 в соответствии с местом установки устройства.

- Выберите образец направления выдува.
- Убедитесь в том, что пульт дистанционного управления настроен на соответствующие установки согласно числу вытяжных отверстий и высоте потолка, на котором будет установлено данное устройство.

Примечание:

Для 3-направленного и 2-направленного выдува пожалуйста используйте пластинку заслонки вытяжного отверстия (опция).

6. Установка вентиляционной решетки

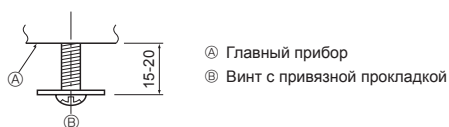


Fig. 6-5

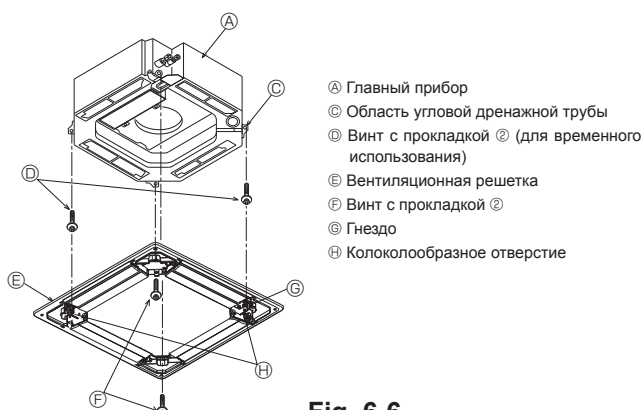


Fig. 6-6

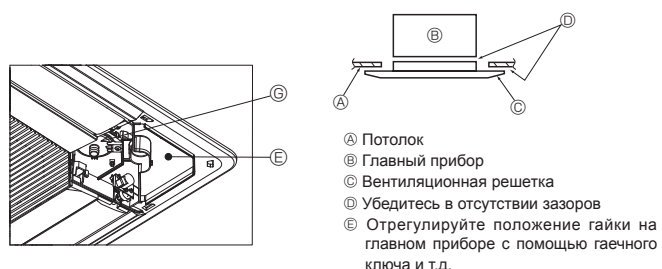


Fig. 6-7

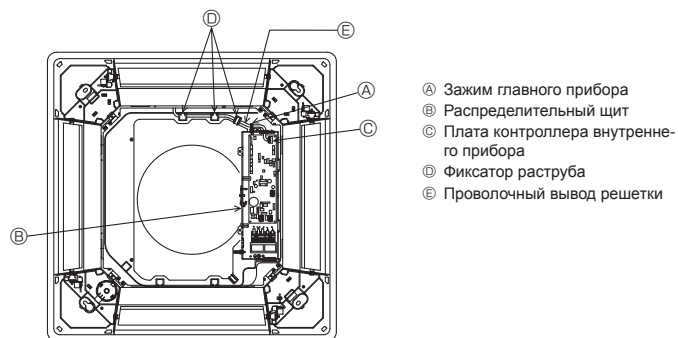


Fig. 6-8

6.4. Установка вентиляционной решетки

6.4.1. Подготовка (Fig. 6-5)

- Установите 2 входящих в комплект винта с прокладками ② в главный прибор (в области угловой дренажной трубы и в противоположном углу), как показано на диаграмме.

6.4.2. Временная установка вентиляционной решетки (Fig. 6-6)

- Временно закрепите решетку, используя колоколообразные отверстия, для чего установите гнездо ③ решетки в область угловой дренажной трубы главного прибора.
 - * Убедитесь в том, что соединительные провода вентиляционной решетки не зажаты между вентиляционной решеткой и главным прибором.

6.4.3. Крепление вентиляционной решетки (Fig. 6-7)

- Закрепите вентиляционную решетку на главном приборе путем затягивания установленных ранее винтов (с привязной прокладкой), а также двух оставшихся винтов (с привязной прокладкой).
 - * Убедитесь в отсутствии зазоров между главным прибором и вентиляционной решеткой или между вентиляционной решеткой и потолком.

Удаление зазоров между вентиляционной решеткой и потолком

После закрепления вентиляционной решетки отрегулируйте высоту главного прибора, чтобы закрыть зазор.

⚠ Осторожно:

Затягивая винт с пружинной зубчатой шайбой ②, следует прикладывать момент не более 4,8 Н·м. Никогда не используйте ударный гайковёрт.

• Это может привести к повреждению деталей.

6.4.4. Соединение проводов (Fig. 6-8)

- Выкрутите 2 винта крепления крышки электрической ответвительной коробки прибора и снимите ее.
- Подсоедините разъем (белого цвета, 20-полюсный) мотора заслонок решетки к разъему CNV на плате контроллера прибора. Пропустите проволочный вывод решетки точно через фиксатор раструбы прибора. Зафиксируйте остатки проволочного вывода при помощи хомута блока и установите крышку прибора на место, зафиксировав ее 2 винтами.

Примечание:

Не оставляйте излишек проволочного вывода в электрической ответвительной коробке прибора.

6. Установка вентиляционной решетки

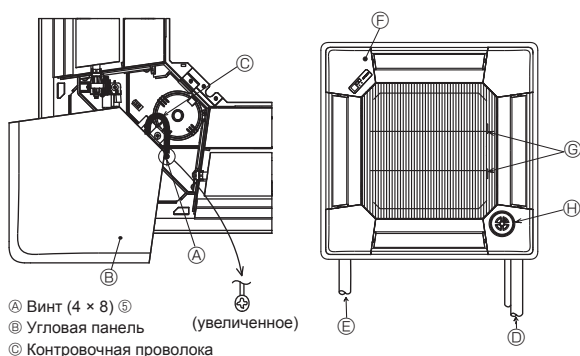


Fig. 6-9

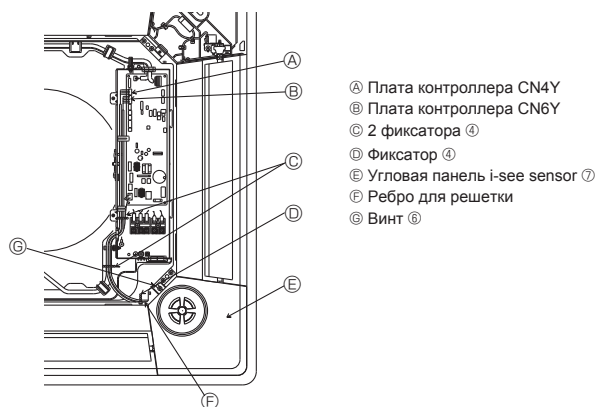


Fig. 6-10

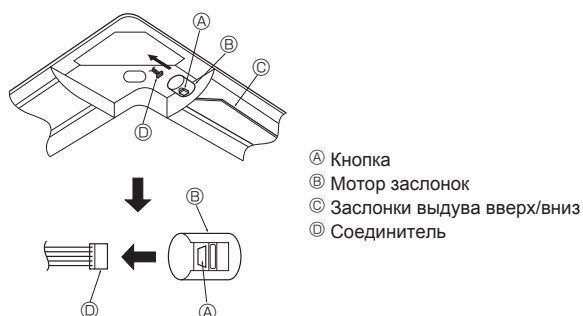


Fig. 6-11

6.5. Установка воздухозаборной решетки (Fig. 6-9)

Примечание:

При установке на место угловых панелей (каждая с прикрепленным предохранительным проводом), присоедините второй конец предохранительного провода к вентиляционной решетке с помощью винта (4 шт., 4 × 8), как показано на иллюстрации.

* Если не закрепить угловые панели, они могут упасть во время работы прибора.

• Для установки воздухозаборной решетки и угловой панели выполните в обратном порядке операции, описанные в разделе "6.2. Подготовка к установке вентиляционной решетки".

• Несколько приборов можно установить с вентиляционной решеткой так, чтобы логотип на каждой угловой панели был совместим с другими приборами, независимо от ориентации воздухозаборной решетки. Сориентируйте логотип на панели в соответствии с пожеланиями клиента, как показано на диаграмме слева. (Расположение вентиляционной решетки можно изменить.)

Ⓛ Водяной трубопровод основного прибора

Ⓜ Дренажные трубы главного прибора

Ⓝ Положение угловой панели при поставке с завода-изготовителя (с прикрепленным логотипом).

* Возможна установка в любом положении.

Ⓞ Положение рычагов на воздухозаборной решетке при поставке с завода-изготовителя.

* Хотя зажимы можно устанавливать в любом из четырех положений, рекомендуется конфигурация, предложенная на рисунке. (Нет необходимости снимать воздухозаборную решетку при проведении техобслуживания коробки электрокомпонентов на главном приборе.)

Ⓟ i-see sensor (Только на панели PLP-6BAE)

6.6. Установка угловой панели i-see sensor (Fig. 6-10)

Для панели PLP-6BAE

• Возьмите проволочные выводы CN4Y(белый) и CN6Y(красный) угловой панели i-see sensor Ⓡ со стороны распределительного щита на блоке и обязательно подсоедините их к соединителю платы контроллера.

• Проволочные выводы угловой панели i-see sensor Ⓡ должны быть зафиксированы на ребре решетки с помощью фиксатора Ⓞ так, чтобы не было провисания.

• Проволочные выводы должны быть собраны вместе с проволочными выводами блока и зафиксированы с помощью 2 фиксаторов Ⓞ так, чтобы не было провисания.

• Прикрепите заднюю часть крышки на распределительный щит при помощи 3 винтов.

* Убедитесь в том, что провода не защемились крышкой распределительного щита. Если они защемятся, то они будут перерезаны.

• Для установки угловой панели i-see sensor будут выполнены действия пункта "6.2. Подготовка к установке вентиляционной решетки", выполняемые в обратном порядке.

* Угловая панель i-see sensor должна быть зафиксирована на решетке Ⓛ при помощи винта Ⓟ.

6.7. Блокировка направления воздушного потока вверх/вниз (Fig. 6-11)

Воздушные заслонки на приборе можно заблокировать для выдува воздуха вверх или вниз в зависимости от среды, в которой эксплуатируется прибор.

• Установите в соответствии с пожеланиями клиента.

Работой заслонок выдува вверх/вниз и всеми операциями автоматического управления невозможно управлять с пульта дистанционного управления. Кроме того, реальное положение заслонок может отличаться от положения, показываемого на пульте дистанционного управления.

① Выключите главный выключатель питания.

При вращающемся вентиляторе на приборе возможно получение травмы или поражение электрическим током.

② Отсоедините соединитель мотора заслонок того вентиляционного отверстия, которое Вы хотите заблокировать.

(Нажимая на кнопку, удалите соединитель в направлении, указанном стрелкой, как изображено на диаграмме.) После удаления соединителя изолируйте его изолянтной.

Также возможна настройка при помощи пульта дистанционного управления. См. 5.7.

6.8. Проверка

• Убедитесь в том, что между устройством и вентиляционной решеткой, или между вентиляционной решеткой и поверхностью потолка нет зазора. Если между устройством и вентиляционной решеткой, или между вентиляционной решеткой и поверхностью потолка есть зазор, это может привести к образованию конденсации.

• Убедитесь в том, что провода соединены надежно.

• Для панели PLP-6BAE, проверьте вращательное движение i-see sensor. Если i-see sensor не вращается, вновь обратитесь к разделу "6.6. Установка угловой панели i-see sensor".

7. Выполнение испытания

7.1. Перед пробным прогоном

- ▶ После завершения установки, прокладки труб и электропроводки внутреннего и наружного приборов проверьте отсутствие утечки хладагента, слабых соединений кабеля питания или проводов управления и неправильной полярности, а также убедитесь, что все фазы питания подключены.
- ▶ Измерьте сопротивление между терминалами источника электропитания и заземлением с использованием 500-вольтного меггера и убедитесь, что сопротивление составляет не менее 1,0 МΩ.
- ▶ Запрещается выполнять этот замер на терминалах проводах управления (цепь низкого напряжения).

⚠ Предупреждение:

Не пользуйтесь кондиционером воздуха, если сопротивление изоляции ниже 1,0 МΩ.

⚠ Осторожно:

- Подключите электропитание прибора не менее чем за 12 часов до начала работы.
 - Запуск прибора сразу после подключения сетевого питания может серьезно повредить внутренние части прибора. Сетевой выключатель должен оставаться во включенном положении в течение всего периода эксплуатации прибора.

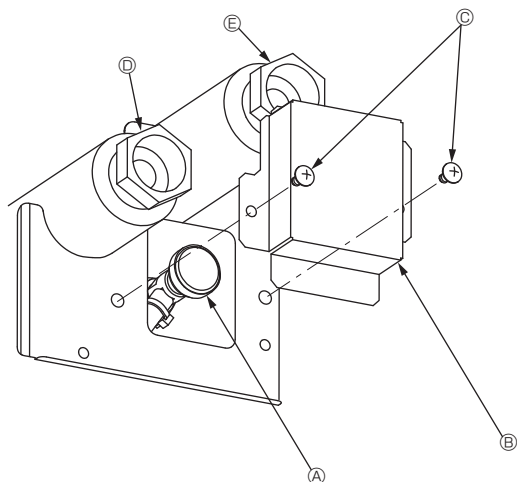


Fig. 7-1

Интерфейс контроллера

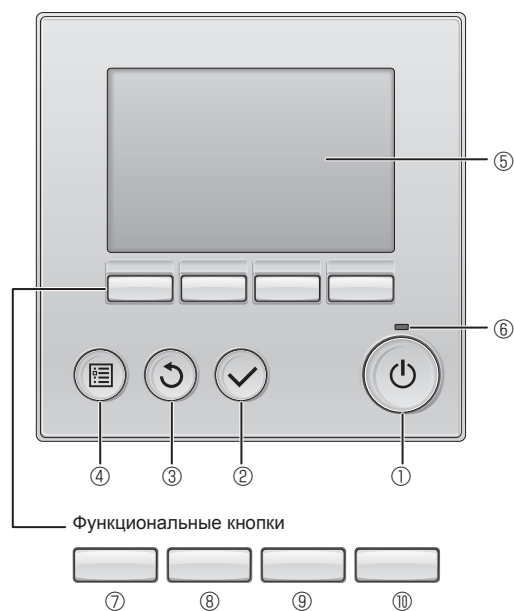


Fig. 7-2

- Не прикасайтесь к выключателям мокрыми руками.
 - Прикосновение к выключателю мокрыми руками может вызвать электрошок.
- Не используйте кондиционер воздуха, если его панели и крышки сняты.
 - Вращающиеся, горячие части или части под напряжением могут причинить травму.
- Не отключайте питание немедленно после выключения прибора.
 - Всегда подождите не менее пяти минут до отключения питания. Иначе может возникнуть утечка воды и другие проблемы.
- После подачи воды в систему водяных трубопроводов удалите воздух из системы. Подробности по удалению воздуха приведены отдельно в руководстве по обслуживанию водяной цепи.

7.2. Отвод воздуха

7.2.1. Информация об отводе воздуха

Для ознакомления с более подробной информацией об отводе воздуха обратитесь к руководству по обслуживанию водяного контура, включенному в комплект доставки контроллера НВС.

7.2.2. Продувочный воздушный клапан внутреннего прибора (Fig. 7-1)

- ① Снимите крышку продувочного клапана.
- ② Поверните рукоятку на продувочном клапане, чтобы стравить воздух.
- ④ Продувочный клапан
- ⑤ Крышка продувочного клапана (Момент затяжки: 1,3 ± 0,3 Н·м)
- ⑥ Винт
- ⑦ Выпуск
- ⑧ Впуск

7.3. Выполнение испытания

Возможны три способа.

7.3.1. Использование проводного пульта дистанционного управления (Fig. 7-2)

① Кнопка [ВКЛ/ВЫКЛ]

Нажмите, чтобы включить или выключить внутренний блок.

② Кнопка [ВЫБОР]

Нажмите, чтобы сохранить настройку.

③ Кнопка [ВОЗВРАТ]

Нажмите для возврата к предыдущему экрану.

④ Кнопка [МЕНЮ]

Нажмите, чтобы открыть главное меню.

⑤ Подсветка ЖК-экрана

Будут отображены параметры работы. Когда подсветка выключена, нажатие на любую кнопку включит подсветку, которая будет работать некоторое время в зависимости от экрана.

Когда подсветка выключена, нажатие любой кнопки включает подсветку, но не приводит к выполнению ее функции (кроме кнопки [ВКЛ/ВЫКЛ]).

⑥ Индикатор ВКЛ/ВЫКЛ

Индикатор будет гореть зеленым цветом, когда устройство находится в работе. Индикатор будет мигать при включении контроллера или при возникновении ошибки.

⑦ Функциональная кнопка [F1]

Главное окно: нажмите для изменения режима работы.
Главное меню: нажмите, чтобы переместить курсор вниз.

⑧ Функциональная кнопка [F2]

Главное окно: нажмите для уменьшения температуры.
Главное меню: нажмите, чтобы переместить курсор вверх.

⑨ Функциональная кнопка [F3]



Главное окно: нажмите, чтобы увеличить температуру.
Главное меню: нажмите для перехода к предыдущей странице.

⑩ Функциональная кнопка [F4]

Главное окно: нажмите, чтобы изменить скорость вентилятора.
Главное меню: нажмите для перехода к следующей странице.



7. Выполнение испытания

Шаг 1 Включите на пульте дистанционного управления режим "Test run" (Тестовый прогон).

- Выберите в Главном меню пункт "Service" (Сервисное обслуживание) и нажмите кнопку .
- После выбора Сервисного меню появится окно ввода пароля. (Fig. 7-3)
Для ввода текущего пароля на отладку (4 цифры) установите курсор на цифру, которую нужно изменить, с помощью кнопок **[F1]** или **[F2]**, а затем установите требуемую цифру (от 0 до 9) в каждой позиции кнопкой **[F3]** или **[F4]**. После этого нажмите кнопку .

Примечание: По умолчанию установлен пароль на отладку "9999" Измените пароль по умолчанию, чтобы предотвратить несанкционированный доступ. Сообщите пароль только лицам, которым он необходим.

Примечание: В случае утери пароля на отладку его можно сбросить до значения по умолчанию ("9999") путем одновременного нажатия и удержания кнопок **[F1]** и **[F2]** в течение 3 секунд на экране установки пароля на отладку.

- С помощью кнопки **[F1]** или **[F2]** выберите пункт "Test run" (Тестовый прогон) и нажмите кнопку .
- С помощью кнопки **[F1]** или **[F2]** выберите пункт "Test run" (Тестовый прогон) и нажмите кнопку .

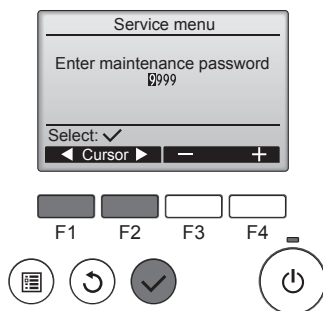


Fig. 7-3

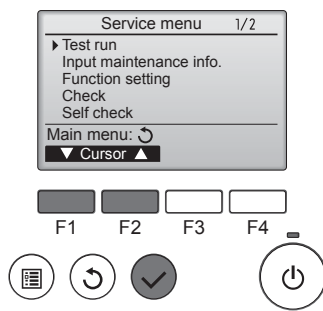


Fig. 7-4

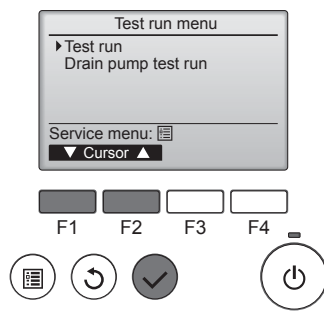





Fig. 7-5

Шаг 2 Выполните пробный пуск и проверьте температуру воздушного потока и автоматическую работу жалюзи.

- Кнопкой **[F1]** выберите режим работы "Cool" (Охлаждение) или "Heat" (Нагревание). (Fig. 7-6)
Режим охлаждения: проверьте выход охлажденного воздуха.
Режим нагревания: проверьте выход нагретого воздуха.
* Проверка работы вентилятора внешнего блока.
- Нажмите кнопку  и откройте окно настройки режима работы заслонки.

Проверка работы заслонки в автоматическом режиме

- С помощью кнопок **[F1]** **[F2]** проверьте работу заслонки в автоматическом режиме. (Fig. 7-7)
- Нажмите кнопку  для возврата в режим "Test run" (Тестовый прогон).
- Нажмите кнопку .

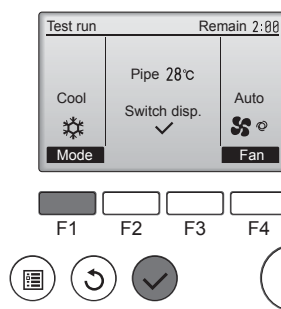


Fig. 7-6

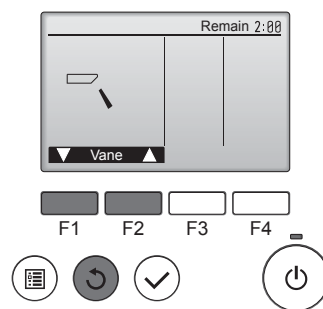


Fig. 7-7

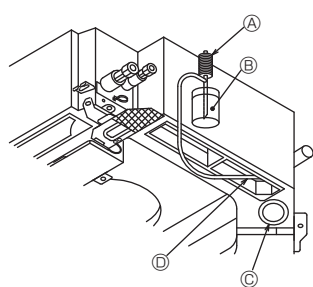


Fig. 7-8

- Ⓐ Насос подачи воды
- Ⓑ Вода (около 1000 куб. см)
- Ⓒ Дренажная пробка
- Ⓓ Заливная горловина воды
- Не допускайте пролива воды на механизм дренажного насоса.

7.4. Проверка дренажа (Fig. 7-8)

- Убедитесь, что вода дренируется правильно, и что в местах соединений нет течи.

После завершения электрических работ.

- Залейте воду при работе кондиционера в режиме охлаждения и выполните проверку.

До завершения электрических работ.

- Залейте воду при работе кондиционера в аварийном режиме и выполните проверку.

- Дренажный поддон и вентилятор включаются одновременно тогда, когда однофазное напряжение 220 - 240 В подается на L и N клеммной колодки после включения соединителя (SWE) на плате контроллера электрической ответственной коробки.

После выполнения работ переведите его в исходное положение.

This product is designed and intended for use in the residential,
commercial and light-industrial environment.

Please be sure to put the contact address/telephone number on
this manual before handing it to the customer.



mitsubishi electric corporation

HEAD OFFICE: TOKYO BUILDING, 2-7-3, MARUNOUCHI, CHIYODA-KU, TOKYO 100-8310, JAPAN