

Room Thermostat HD-Y388

Instructions

SPECIFICATIONS

Set-point Range: 5°C to 35°C (Adaptable)

Display: Large Screen LCD

Display Accuracy: $\pm 1^\circ\text{C}$

Power Supply: 220VAC $\pm 15\%$ 50/60 Hz

Switch Current Rating: < 3A

Dimensions: 86 × 86 × 13.5 mm

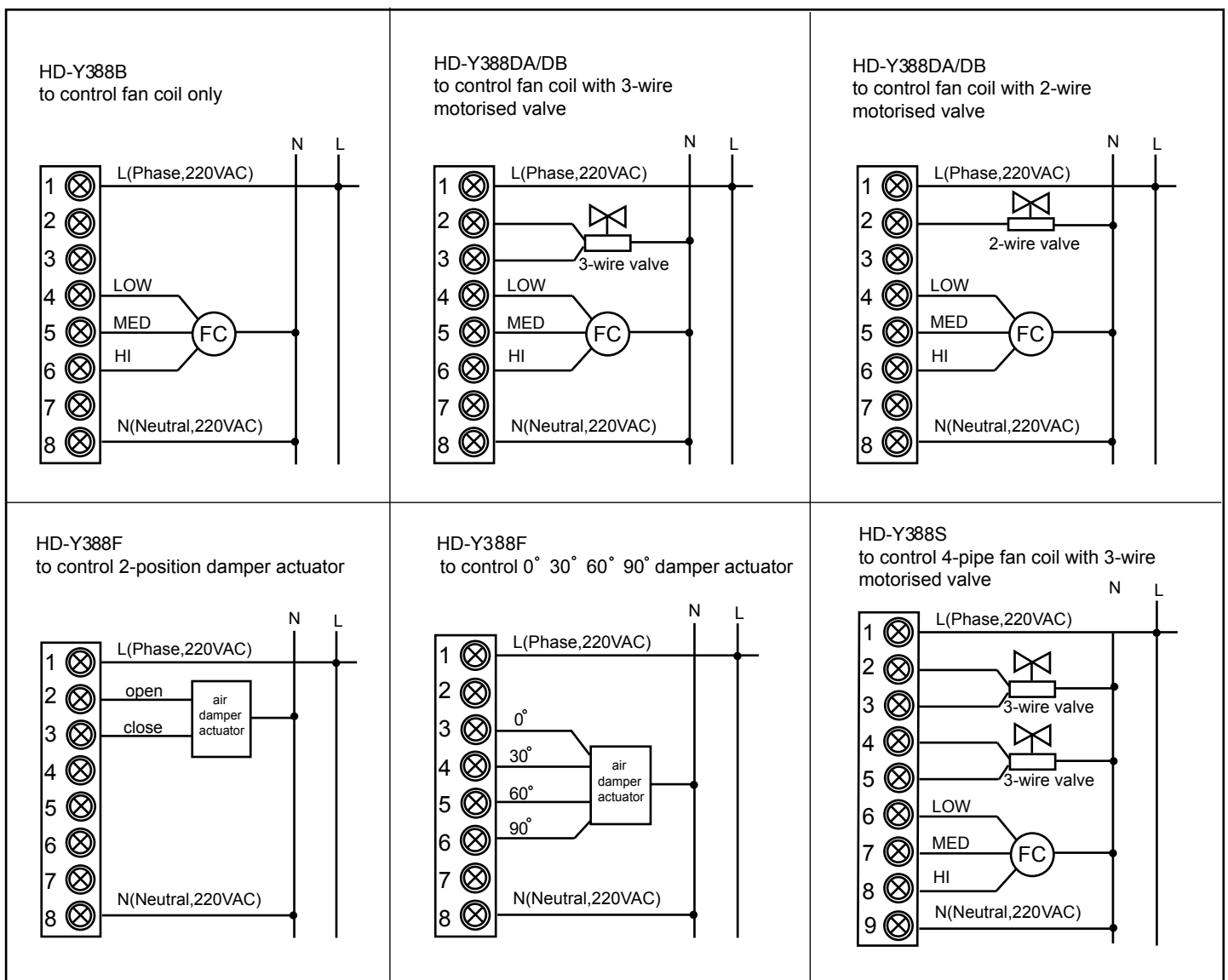
Sensing Element : NTC

Housing: Flame Retarding PC

MOUNTING

1. The thermostat is flush mount, a back box of ideally 45mm depth should be sunk into the wall prior to installation.
2. Installation should be carried out by a qualified electrician.
3. Choose a location about 5 feet (1.5 meter) above the floor with good air circulation.
4. To avoid electrical shock and to prevent damage to the furnace, air conditioner, and thermostat, disconnect the power supply before beginning work. This can be done at the fuse box, at the circuit breaker, or at the appliance.

WIRING DIAGRAMS



See overleaf for further operating instructions

STAND BY STATE

When the thermostat is first connected to power, the thermostat will be in stand by state, the LCD displays RT with current room temperature.

TO TURN THE THERMOSTAT ON/OFF

- ☞ To turn the thermostat on, press "⏻".
- ☞ To turn the thermostat off, press "⏻" again.

When the thermostat is turned on, the LCD displays:

1. ST(set temperature, this is the temperature the thermostat is currently controlling to)
2. RT(room temperature, this is actual room temp)
3. operating mode, for example:

heating mode, with icon "☀️"

cooling mode, with icon "❄️"

4. fan speed display status, for example,



TO ADJUST THE SET ROOM TEMPERATURE

- ☞ Press up or down key to set the desired temp.
- ☞ Press any other button to accept or automatically accept after 5 seconds of inactivity.

TO ADJUST THE FAN SPEED

With each press of the "fan speed key" "🌀", the thermostat will change the speed among high, medium, low and auto speed. When the thermostat is turned on, the default fan speed is medium speed.

When in auto fan speed mode, the fan speed will be displayed on screen along with the auto symbol.

HEATING MODE/COOLING MODE

- ☞ Press ☀️ or ❄️ to select heating or cooling mode

KEY BOARD LOCK

- ☞ Press 🔒 button for 5 seconds to lock the key board.
- ☞ Press 🔒 button for 5 seconds to unlock the key board.

HEATING MODE

In heating mode, "☀️" will display on the LCD.

Also in heating mode, when the fan speed is set to auto, the fan coil will run in high speed if the actual room temperature is 3°C below the set temperature; Medium speed if 2°C below the set temperature; Low speed if 1°C below the set temperature.

COOLING MODE

In cooling mode, an icon "❄️" will display on the LCD.

Also in cooling mode, if the fan speed is set to auto, the fan coil will run in high speed if the actual room temperature is 3°C above the set temperature; Medium speed if 2°C above the set temperature; Low speed if 1°C above the set temperature.