



MDV



Technical & Service manual

Floor Standing Type Air Conditioner

Refrigerant type	Power supply
R410A	3Ph,380V,50Hz

www.mdv-russia.ru



МП 20

CONTENT

1	Safety Precautions.....	1
	Precaution.....	1
	Installation.....	1
	Caution.....	1
	Operational.....	2
2	Out Dimensions.....	3
	Indoor Unit.....	3
	Outdoor Unit.....	4
3	External view and display.....	5
	External view.....	5
	Display panel.....	6
4	Refrigerant cycle diagram.....	7
	Cooling only.....	7
5	PCB drawing & wiring diagram.....	9
6	Installation detail.....	10
	Installation place.....	10
	Installing.....	11
	Refrigerant pipe connecting.....	14
	Drain Pipe of The Indoor Unit.....	16
	Wiring.....	17
	Test operation.....	17
7	Electronic function.....	18
	Performance Index.....	18
	Main data Introduction.....	18
	Operation Modes and Functions.....	18
	Other Functions.....	19
8	Characteristic of temperature sensor.....	20
9	Trouble shooting.....	21
	Protective Function.....	21
	Troubles and Solutions.....	22

1 Safety Precautions

Precaution

To prevent injury to the user or other people and property damage, the following instructions must be followed.

Incorrect operation due to ignoring instruction will cause harm or damage.

Before service unit, be sure to read this service manual at first.

Installation

For electrical work, contact the dealer, seller, a qualified electrician, or an Authorized service center.

Do not disassemble or repair the product by yourself.

Sharp edges could cause injury, be especially careful of the case edges and the fins on the condenser and evaporator.

Be sure the installation area does not deteriorate with age.

Take care to ensure that power cable could not be pulled out or damaged during operation.

Do not place anything on the power cable.

Do not plug or unplug the power supply plug during operation.

Do not store or use flammable gas or combustible near the product.

When flammable gas leaks, turn off the gas and open a window for ventilation before turn the product on.

If strange sounds, or small or smoke comes from product. Turn the breaker off or disconnect the power supply cable as soon as possible.

When the product is soaked (flooded or submerged), contact an Authorized service center.

Be caution that water could not enter the product.

Turn the main power off when cleaning or maintaining the product.

When the product is not be used for a long time, disconnect the power supply plug or turn off the breaker.

Caution

Always check for gas (refrigerant) leakage after installation or repair of product.

Safety Precautions

Install the drain hose to ensure that water is drained away properly.

Keep level even when installing the product.

Do not install the product where the noise or hot air from the outdoor unit could damage the neighborhoods.

Use two or more people to lift and transport the product.

Do not install the product where it will be exposed to sea wind (salt spray) directly.

Operational

Do not expose the skin directly to cool air for long periods of time. (Do not sit in the draft).

Do not use the product for special purposes, such as preserving foods, works of art, etc. It is a consumer air conditioner, not a precision refrigerant system.

Do not block the inlet or outlet of air flow.

Use a soft cloth to clean. Do not use harsh detergents, solvents, etc.

Do not touch the metal parts of the product when removing the air filter. They are very sharp.

Do not step on or put anything on the product. (outdoor units)

Always insert the filter securely. Clean the filter every two weeks or more often if necessary.

Do not insert hands or other object through air inlet or outlet while the product is operated.

Do not drink the water drained from the product.

Use a firm stool or ladder when cleaning or maintaining the product.

Replace the all batteries in the remote control with new ones of the same type. Do not mix old and new batteries or different types of batteries.

Do not recharge or disassemble the batteries. Do not dispose of batteries in a fire.

If the liquid from the batteries gets onto your skin or clothes, wash it well with clean water. Do not use the remote if the batteries have leaked.

2 Out Dimensions

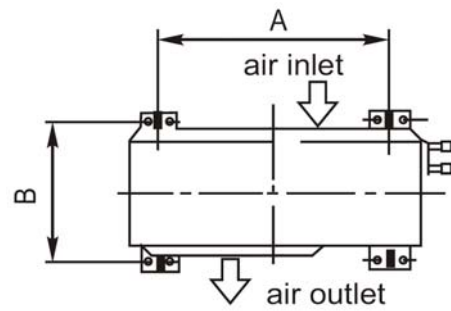
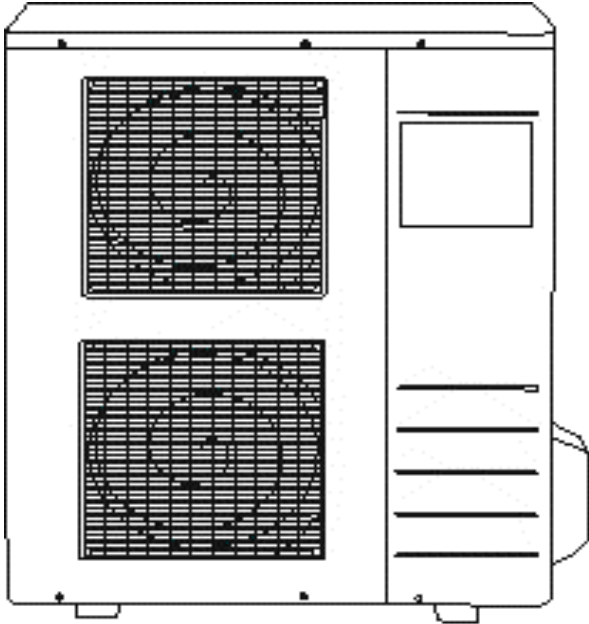
Indoor Unit



Dimension Mode	Width (mm)	Height (mm)	Depth (mm)
60K	600	1900	358

Outer Dimensions

Outdoor Unit

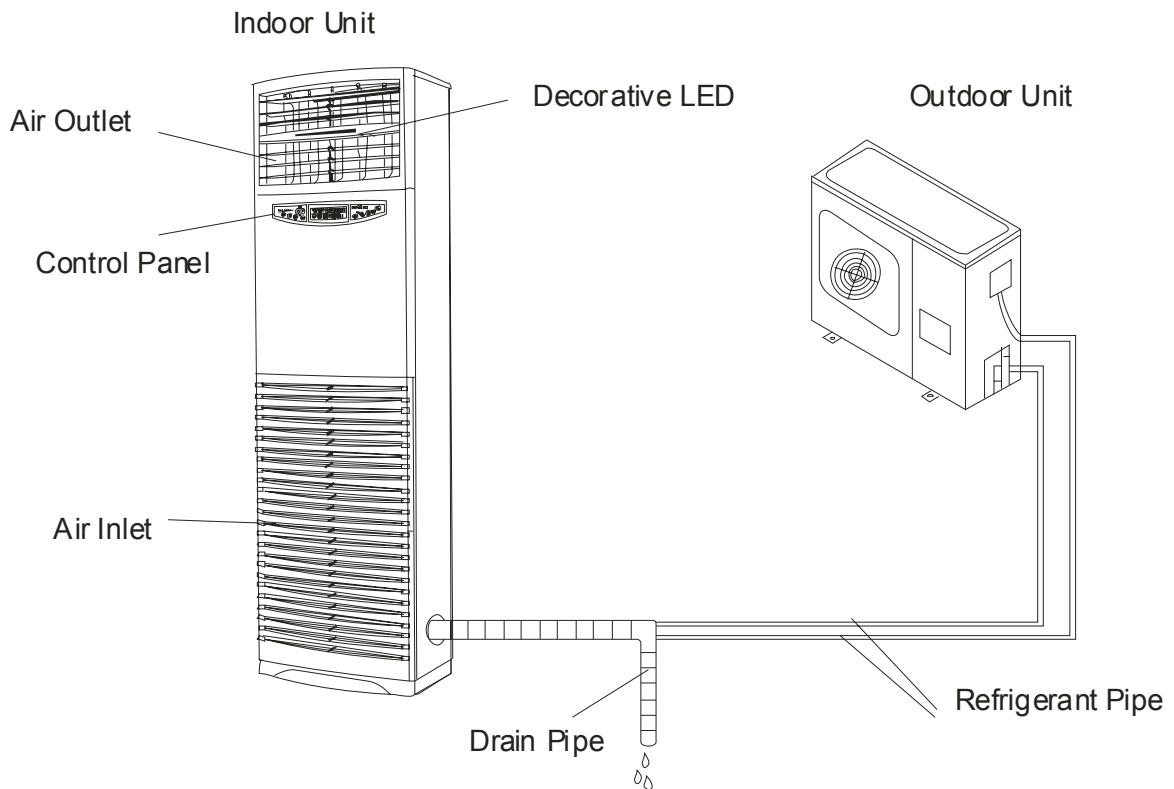


Dimension Mode	Width (mm)	Height (mm)	Depth (mm)	A (mm)	B (mm)
60K(W510)	940	1245	360	600	380

3 External view and display

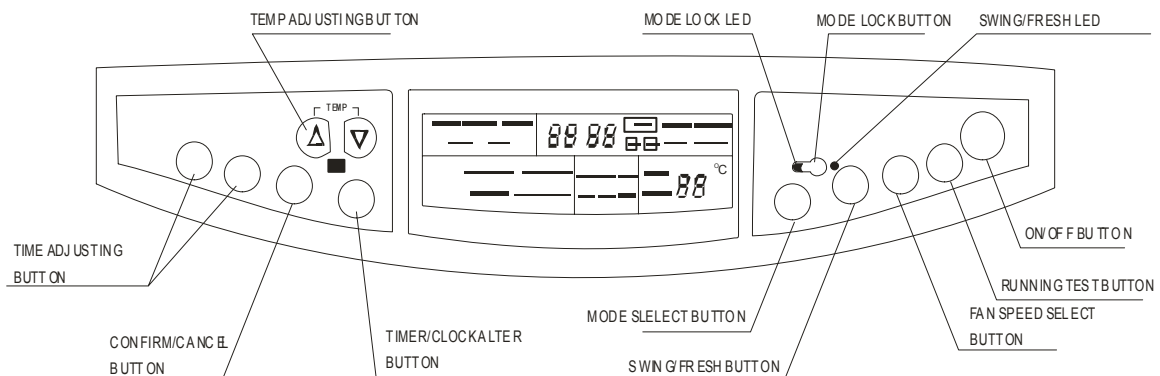
External view

This unit consists of indoor unit and outdoor unit.



Note: All the pictures in this manual are for explanation purpose only. They may be slightly different from the air conditioner you purchased(depend on model). The actual shape shall prevail.

Display panel



On/Off button: Power-on and power-off the A/C(Air conditioner)

LED indicator : Lights when unit runs normally ,flashes one time per second when the unit is waiting for orders ,flashes two times per second when the unit is sick.

Mode select button : Use this button to select among the following 5 modes :

Auto :automatically adjust the temperature (17~30°C)

Cool :normal cooling operation(17~30°C)

Heat :(for cooling and heating only)normal heating operation(17~30°C)

Dry :dehumidify the room air and keep the indoor temperature(17~30°C)

Fan :fan only ,no cooling

Temp .adjusting buttons :

warm▲ :push this button to raise the setting temperature

cool▼:push this button to lower the setting temperature.

Fan Speed button :

Auto :automatically adjust the fan speed

Low :Low fan speed.

Med :Medium fan speed

High :High fan speed

Swing /fresh button :push this button to make the air-flow blow left or right and anion producer open.

Time/clockAlter button (Short form :ALT button):use this button to alter the modes between “ time ” and “ clock ”

Time adjusting button:

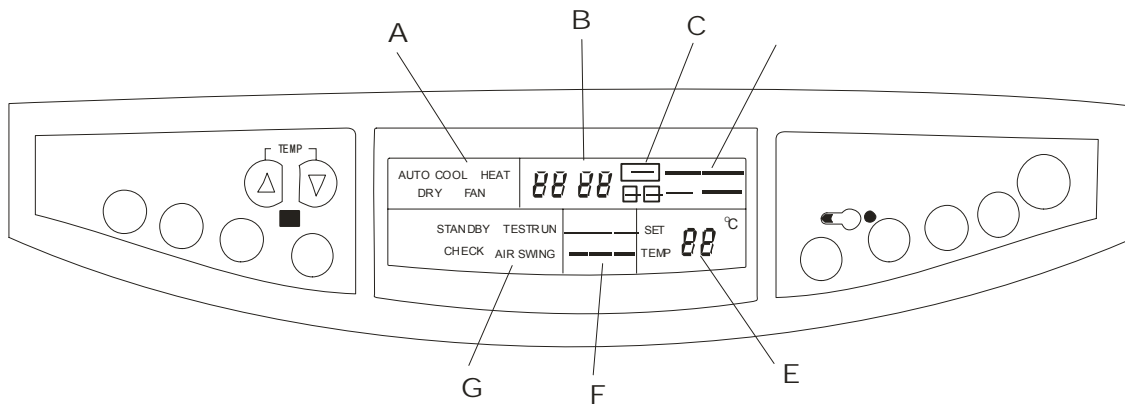
“ Hour ” :set the hour of current time

“ Minute ” :set the minute of current time

Confirm/Cancel button :Push this button to confirm or cancel the timer setting

Test Running button :Push this button to make the unit run for an hour of test ,this function is specially designed for maintenance technicians.

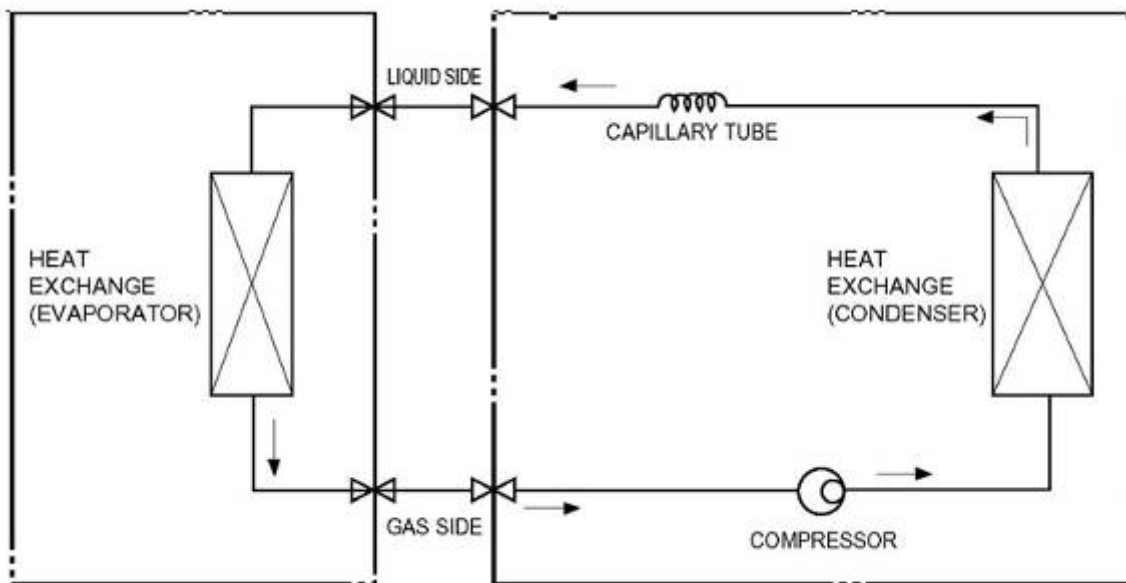
Refrigerant cycle diagram



- A. Operation modes
- B. Timer setting clock or trouble display
- C. Timer display
- D. Types of clock
- E. Room temperature setting display
- F. Fan speed of the indoor unit display
- G. Status display

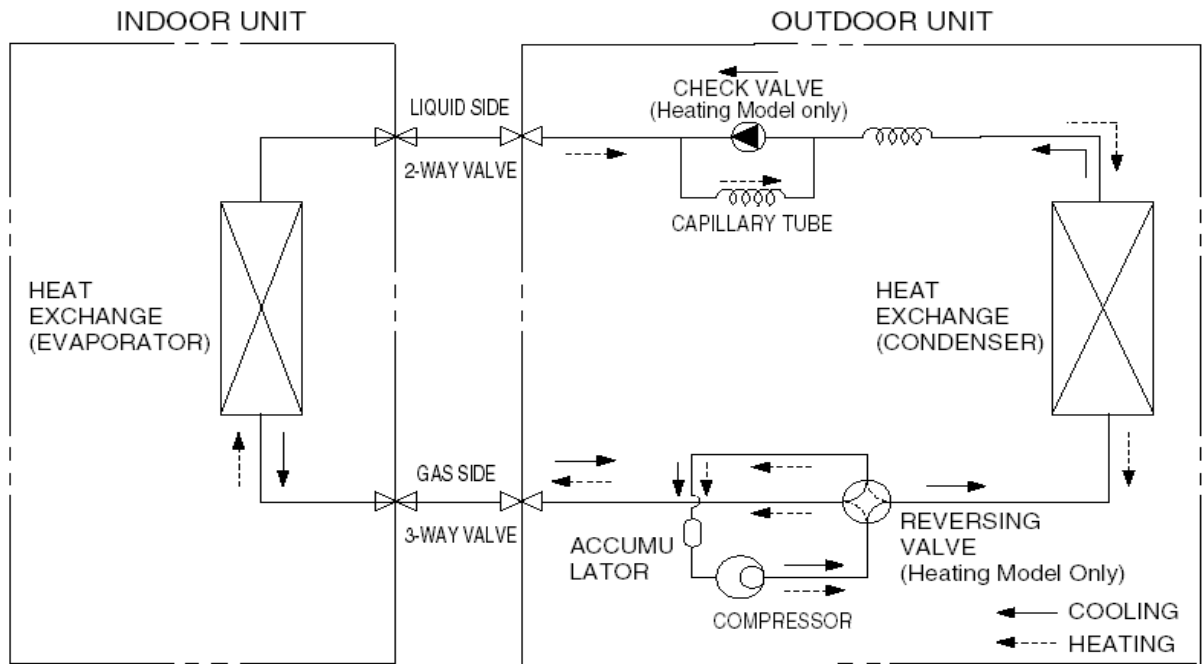
4 Refrigerant cycle diagram

Cooling only



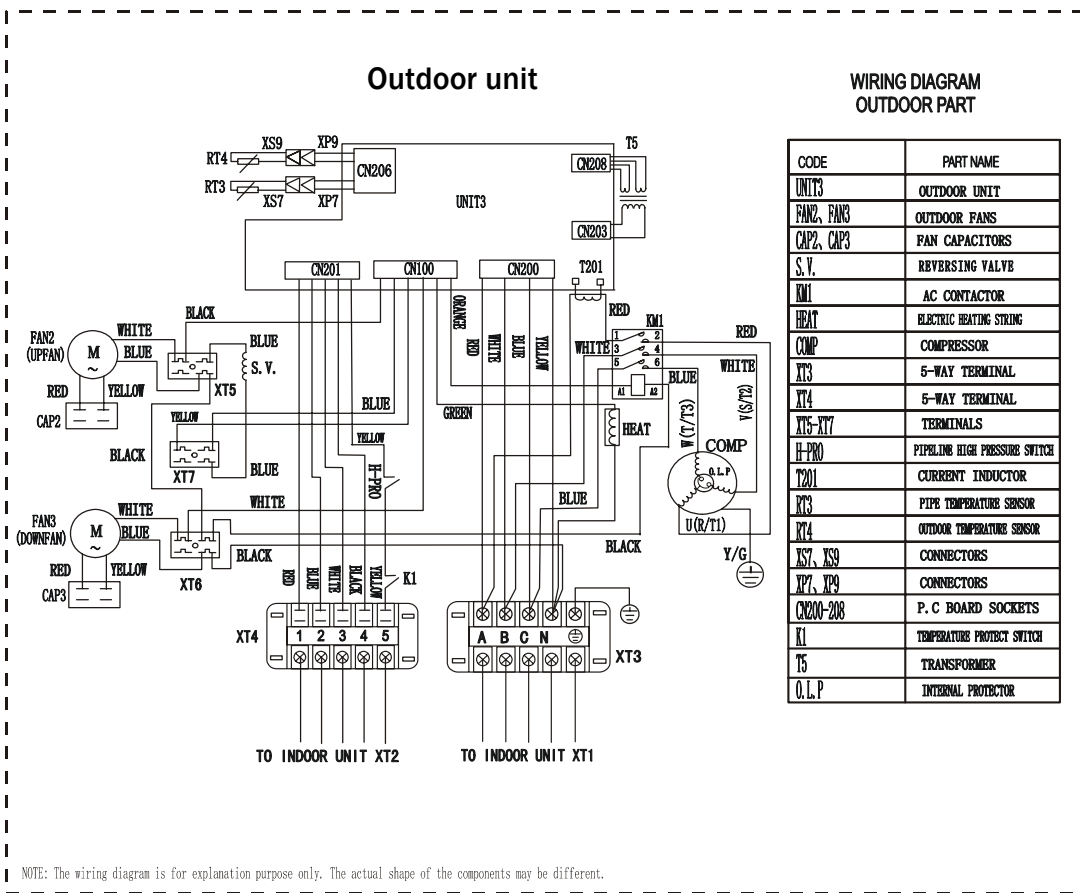
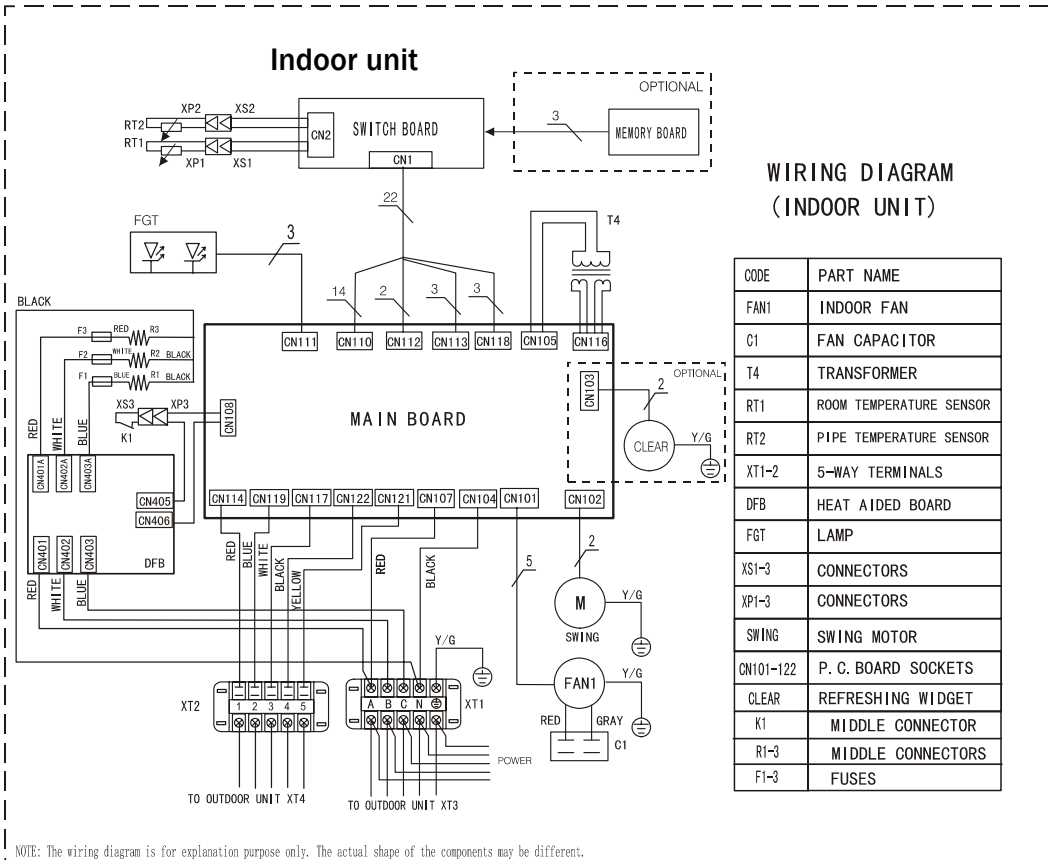
Cooling&heating

Refrigerant cycle diagram



5 PCB drawing & wiring diagram

MDFE-60ARN1



6 Installation detail

Installation place

6.1.1 Indoor Unit

A place which provides the spaces around the indoor unit as required above in the diagram.

A place where is no obstacle near the inlet and outlet area.

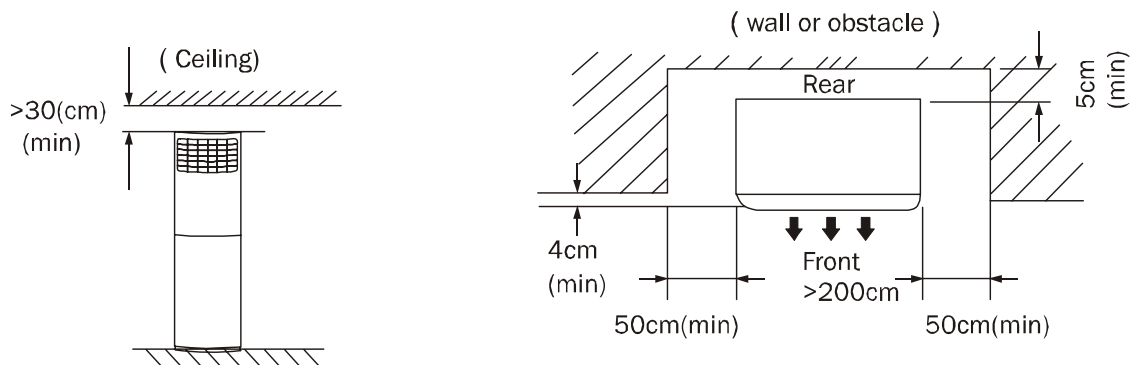
A place which can bear the weight of the indoor unit.

A place which allows the air filter to be removed downward.

A place where the reception range is not exposed to direct sunlight.

In the center of the room where possible.

**6.1.1.1 Please stand the unit in hard and flat ground;
Please reserve space for installation and maintenance.**



6.1.1.2 Please check the elevation difference between the indoor unit and the outdoor unit, the length of the refrigerant pipe, and the curved places (bend) of the pipe are no more than the following numbers:Elevation difference: no more than 10 M (if the elevation difference between indoor and outdoor unit is more than 10 meters, it is recommended that the outdoor unit be placed above the indoor unit.)

Pipe length: no more than 20 M

Bends: no more than 5 places

6.1.2 Outdoor Unit

6.1.2.1 Before installing the outdoor unit, you should:

Select a place where no direct sunlight or other heat-radioactivity may reach. A sunshade is needed if it is unavoidable.

Installation detail

Select a place that is easy to connect indoor unit's pipe and electric wires.

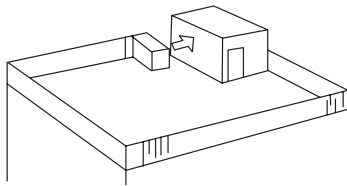
Avoid a place where combustible gas may leak or stay.

Keep it in mind that water may drain out of the outdoor unit while in "Heat" mode.

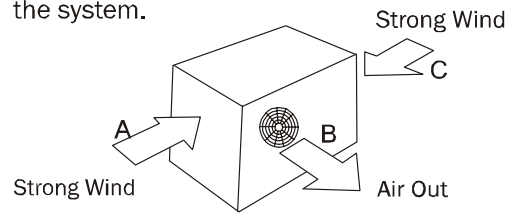
6.1.2.2 If the outdoor unit is to be installed on a roof or where no constructions are around, you should avoid hard wind blows directly to the air outlet, because it may cause trouble for air-flow shortage.

For example:

Let the air outlet face a wall (if there is one) with a distance about 300 centimeters between them.



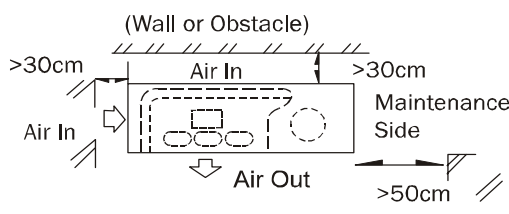
Try to make the air outlet vertical to wind direction if it is known in the season you use the system.



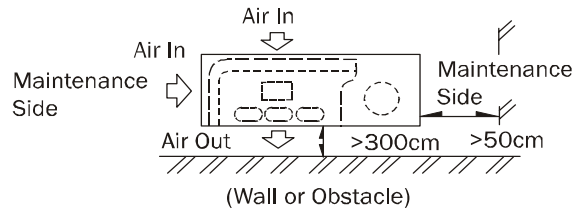
In directions (A) (B) (C) leave open two of the three directions.

6.1.2.3 Reserve enough space for installation, maintenance and unit-functioning. Remove as many obstacles as possible nearby.

When the air-in surface is facing a wall



When the air-out surface is facing a wall

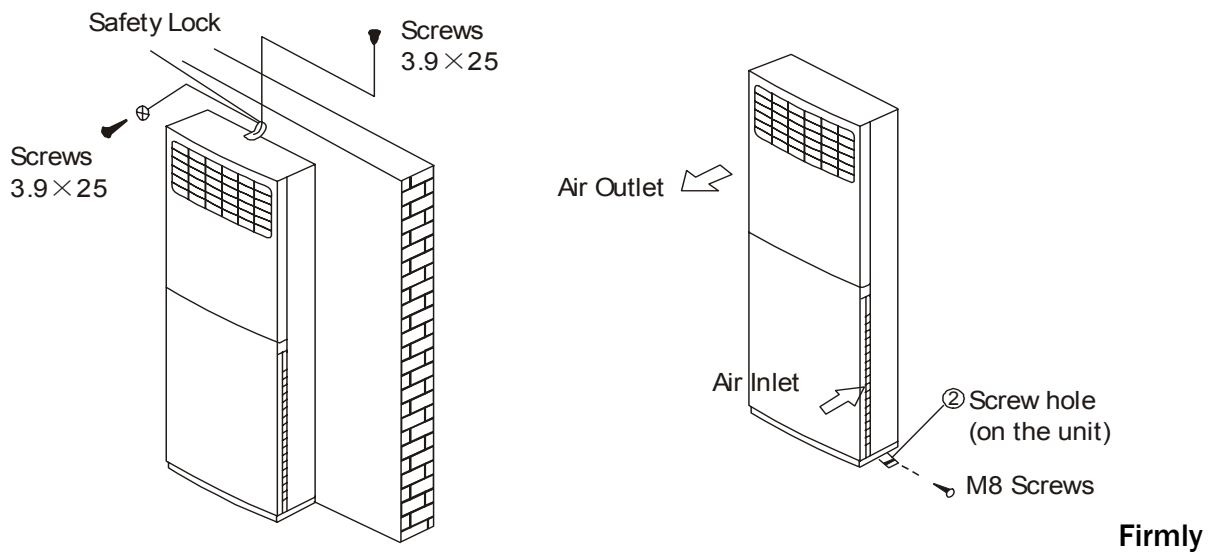


Installing

6.1.3 To prevent the indoor unit from falling, you must:

Pay full attention to the unit because its long outer shape makes it easy to fall;

Installation detail

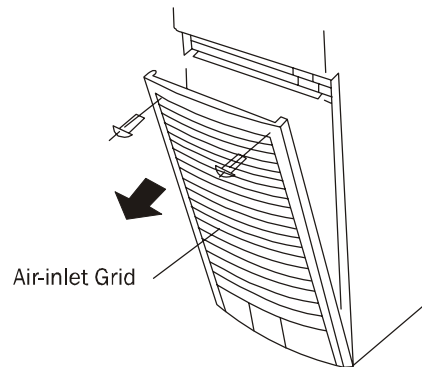


fix the unit to the wall and in the ground to avoid accidental falling.

6.1.4 Dismounting the air-inlet grid

Please take off the air-inlet grid before connecting the pipes/wires.

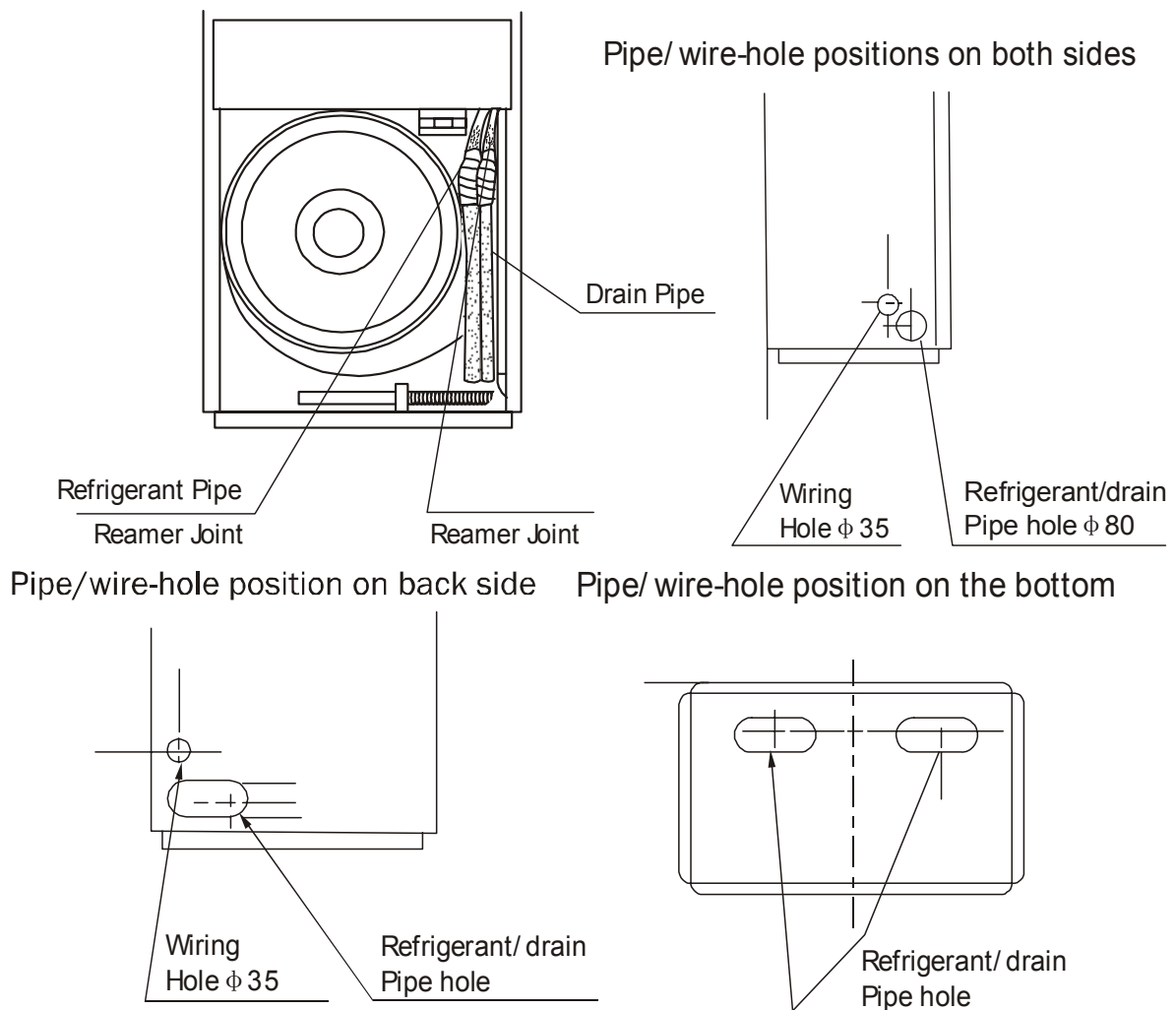
Pull down the two knobs on the grid, take off the two screws, then the air-inlet grid goes free.



6.1.5 Take the Pipe Clip off before connecting the pipes and wiring; fit it when these finished.

Use accessories 4 and 9 to connect the pipes/wires on both sides and back side.

Installation detail



6.1.6 Ship the a/c to the installation place originally packed;

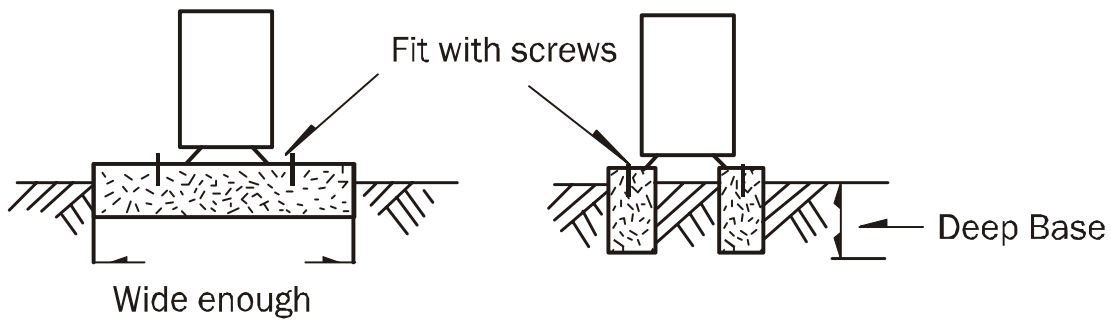
Be careful while hanging the unit because the center of gravity of the unit is not centralized;

Do not make the angle of inclination more than 45 degrees while shipping;(Avoid horizontal storage)

Be sure the electric insulation work is well done if installed on metal ceiling / wall.

Fix the unit feet with bolts (M10/M8). Be sure the unit is fixed strongly enough to against blast or earthquake.

Make a concrete basement to the unit by the above references.

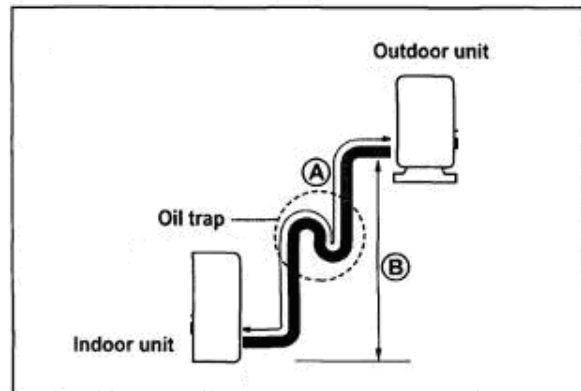
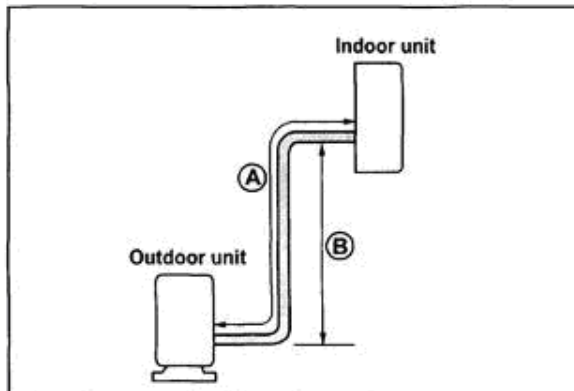


Refrigerant pipe connecting

6.1.7 Pipe length and the elevation

The correct refrigerant quantity filled in the 5-meter-long pipe of the outdoor unit is marked on the Product Data Plate. If you have to use longer pipe for every meter plus pipe, the refrigerant should be added according to the following calculation.

Capacity	Pipe size		Standard length	Max.	Max.	Additional refrigerant
			m	elevation	length	
Btu/h	GAS	LIQUID		B (m)	A (m)	(g/m)
60K	3/4" (φ19)	1/2" (φ12.7)	5	15	30	90



6.1.8 Piping connection

6.1.8.1 Connecting Of Refrigerant Pipe

- a. Only the correctly installing of indoor and outdoor unit done, can the refrigerant pipe be connected.
- b. The cut-off valves are completely close before ex-work. Before connecting the refrigerant pipe, be careful to check whether the valves are completely close.
- c. The connecting procedure of refrigerant pipe: first, unscrew the two valves on the

Installation detail

outdoor unit and the pipe-jointing nut on the indoor unit(please keep them carefully). Please connect the refrigerant pipe according to the manual, the pipe-jointing nut should be screw tightly and no leakage. Note: you need two wrenches to make balance.

- d. When the connecting of refrigerant pipe is finished, before power on the system, you should vacuum the indoor unit through the maintenance port on the cut-off valves, or open the high-pressure valve, and exhaust the air through the maintenance port on the low-pressure valve(closed). It will take about ten seconds. Then screw tightly the maintenance port. (When supplement the refrigerant, fill through the maintenance port of the low-pressure valves on the outdoor unit).
- e. Open all the valves completely before power on the system, or it will be sick for low efficiency.
- f. Gas leak check. Make sure no gas from connections with leak detector or soap water.

6.1.8.2 Using bronze pipe selling in market

Completely shut the cut-off valves of the outdoor unit (as ex-work status). After the refrigerant pipe has been connected with both the indoor and outdoor unit, let the air exhaust out from the maintenance gap on the low-pressure cut-off valves of the outdoor unit. Screw the nuts tightly on the maintenance gap after the air has been drained.

6.1.8.3 To make the refrigerant pipe unblocked completely

you should keep the cut-off valves of the outdoor unit completely open after you have finished

the above steps (step1) or step 2))

Note: Before screwing the reamer nut, smear the pipe and the connecting surface with refrigerant oil; Check and make sure there is no leakage by soap-water or leakage-checker after connecting;

Be sure the connecting joint on the indoor side is insulated.

Use two wrenches to connecting the pipes.

Tubing size	Torque
9.52	3270~3990N.cm(333~407kgf.cm)
12.7	4950~6030N.cm(504~616kgf.cm)
16	6180~7540N.cm(630~770kgf.cm)
19	9720~11860N.cm(990~12106kgf.cm)

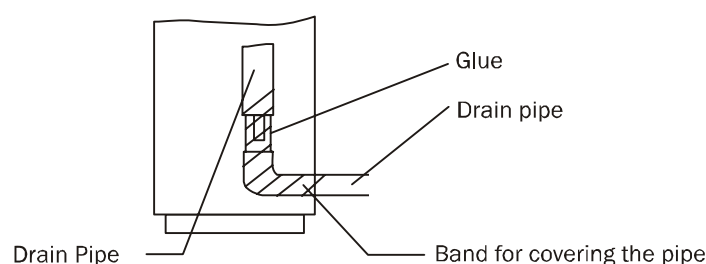
6.1.9 Air Purging

When Using the Vacuum Pump

(For method of using a manifold valve, refer to its operation manual.)

- a. Completely tighten the flare nuts, A, B, C, D, connect the manifold valve charge hose to a charge port of the low-pressure valve on the gas pipe side.
- b. Connect the charge hose connection to the vacuum pump.
- c. Fully open the handle Lo of the manifold valve.
- d. Operate the vacuum pump to evacuate. After starting evacuation, slightly loose the flare nut of the Lo valve on the gas pipe side and check that the air is entering.(Operation noise of the vacuum pump changes and a compound meter indicates 0 instead of minus)
- e. After the evacuation is complete, fully close the handle Lo of the manifold valve and stop the operation of the vacuum pump. Make evacuation for 15 minutes or more and check that the compound meter indicates -76cmHg (-10x106Pa).
- f. Turn the stem of the packed valve B about 45 counterclockwise for 6~7 seconds after the gas coming out, then tighten the flare nut again. Make sure the pressure display in the pressure indicator is a little higher than the atmosphere pressure.
- g. Remove the charge hose from the low pressure charge hose.
- h. Fully open the packed valve stems B and A.
- i. Securely tighten the cap of the packed valve.

Drain Pipe of The Indoor Unit



Make sure the drainpipe is connected to the outdoor side downward;

The hard polyvinyl chloride (PVC) plastic pipe (external diameter 26 mm) sold in the market is suitable for the attached soft drain pipe;

Please connect the Soft Drain Pipe with the Drain Pipe, and then fix it with band;

If you have to connect the Drain Pipe indoors, to avoid condensing caused by air intake, you must cover the pipe with heat-insulation material (polyethylene with Specific

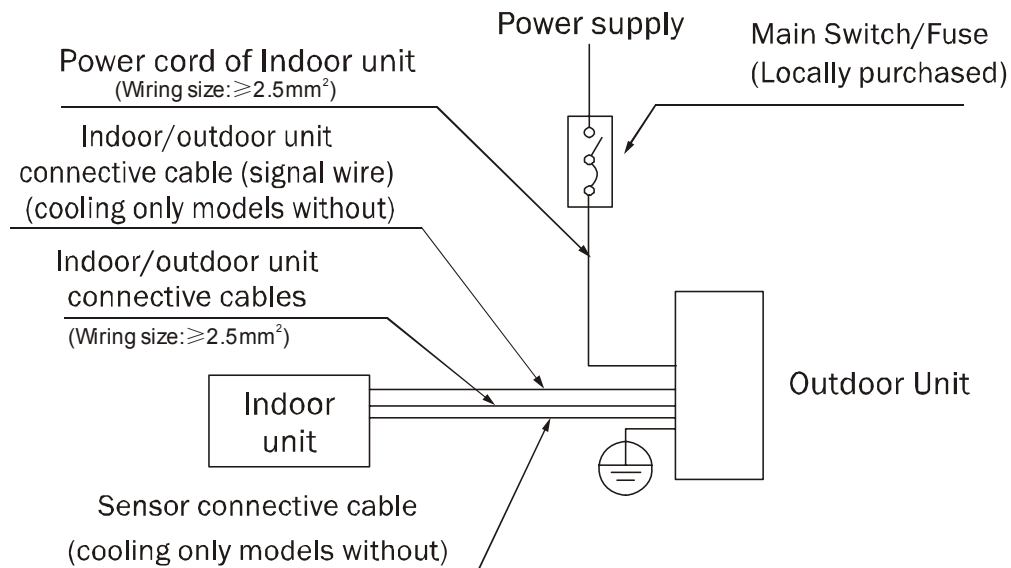
Gravity of 0.03, at least 9 mm in thickness), and use Glue Band to fix it.

After the Drain Pipe has been connected, please check if the water drains out of the pipe efficiently and has no leakage.

Refrigerant pipe and Drainpipe should be heat-insulated to avoid condensing and water-dropping later on.

Wiring

Please refer to the Wiring Diagram.



Note: Some models is equipped with a cord having a plug, So a wall outlet shall be properly installed.

Test operation

Perform test operation after completing gas leak and electrical safety check. The test operation time should last more than 30 minutes.

- 1). Open the panel and lift the panel up to angle which remains fixed. Do not lift the panel any further when it stops with a "click" sound.
- 2). Press the manual switch button twice until the operation indicator lights, the unit will operate on Manual Cool mode.
- 3). Check if all the functions work well while testing the air conditioner. Especially check whether the drainage of indoor unit is smooth or not.
- 4). Press the manual switch button again till the operation indicator turns dark after finishing the test operation and the unit stops operation.

7 Electronic function

Performance Index

No.	Item	Index
1	Applicable Voltage Range	342-418V
2	A/C Frequency	50Hz
3	Working environment temperature	18 °C~43 °C(Cooling) -7 °C ~24 °C(Heating)

Main data Introduction

Ts: Set temperature,

T1: Room temperature

T2: Evaporator pipe temperature

Operation Modes and Functions

7.1.1 Manual Operation

7.1.2 Cooling Mode

7.1.2.1 Four-way valve is closed.

If four-way valve is open before the machine enters cooling mode, then four-way valve will be closed at the first time, the compressor starts under the cooling mode.

7.1.2.2 Conditions for the compressor and outdoor fan action (Ts = set temperature)

	Condition	Compressor and outdoor fan
Room temperature up	T1-Ts=0 °C	Off
	T1-Ts>1 °C	On
Room temperature down	T1-Ts>0 °C	On
	T1-Ts=0 °C	Off

7.1.2.3 Action of Indoor Fan

HIGH/LOW/AUTO fan can be switched over by your comfort.

Auto fan under cooling mode.

	Condition	Fan speed
Room temperature up	T1-Ts>2 °C	Hi.
	1 °C < T1-Ts < 2 °C	Low
Room temperature down	T1-Ts>1 °C	Hi.
	T1-Ts < 1 °C	Low

7.1.3 Dehumidifying Mode

7.1.3.1 Indoor fan speed is low.

7.1.3.2 If certain protective condition is met, operation will be carried out.

7.1.4 Auto Mode

7.1.4.1 Under auto mode, the indoor fan is set to be auto.

7.1.4.2 When entering auto mode, the heating, fan only or cooling operation will be automatically chosen according to the room temperature T1 and the set temperature Ts.

Condition	Mode
$T1-Ts > 1^{\circ}\text{C}$	Cooling
$-1^{\circ}\text{C} < T1-Ts < 1^{\circ}\text{C}$	Fan
$T1-Ts < -1^{\circ}\text{C}$	Heating(fan for cooling only type)

7.1.4.3 After one mode is chosen, if the condition lasts for 15 minutes, meanwhile the compressor doesn't start up within consecutive 15 minutes, the operation mode will be re-chosen according to the T1 and Ts.

7.1.4.4 If certain condition is met, then the corresponding protective function will be executed.

7.1.5 Fan Only Mode

7.1.5.1 Under this mode, four-way valve, compressor and outdoor fan are shut down.

7.1.5.2 High/Low/Auto fan can be switched over through manual control. Auto fan will be controlled in line with cooling auto fan with temperature set to be 24C.

Other Functions

7.1.6 Timer

The machine should be provided with max. Interval of 24h and min. resolution ratio of 30 minutes.

8 Characteristic of temperature sensor

Temp. °C	Resistance KΩ	Temp. °C	Resistance KΩ	Temp. °C	Resistance KΩ
-10	62.2756	17	14.6181	44	4.3874
-9	58.7079	18	13.918	45	4.2126
-8	56.3694	19	13.2631	46	4.0459
-7	52.2438	20	12.6431	47	3.8867
-6	49.3161	21	12.0561	48	3.7348
-5	46.5725	22	11.5	49	3.5896
-4	44	23	10.9731	50	3.451
-3	41.5878	24	10.4736	51	3.3185
-2	39.8239	25	10	52	3.1918
-1	37.1988	26	9.5507	53	3.0707
0	35.2024	27	9.1245	54	2.959
1	33.3269	28	8.7198	55	2.8442
2	31.5635	29	8.3357	56	2.7382
3	29.9058	30	7.9708	57	2.6368
4	28.3459	31	7.6241	58	2.5397
5	26.8778	32	7.2946	59	2.4468
6	25.4954	33	6.9814	60	2.3577
7	24.1932	34	6.6835	61	2.2725
8	22.5662	35	6.4002	62	2.1907
9	21.8094	36	6.1306	63	2.1124
10	20.7184	37	5.8736	64	2.0373
11	19.6891	38	5.6296	65	1.9653
12	18.7177	39	5.3969	66	1.8963
13	17.8005	40	5.1752	67	1.83
14	16.9341	41	4.9639	68	1.7665
15	16.1156	42	4.7625	69	1.7055
16	15.3418	43	4.5705	70	1.6469

9 Trouble shooting

Protective Function

9.1.1 3-minute delay for the compressor start-up

At the beginning of energizing or after the stop of the compressor, 3-minute delay will be needed to start the compressor.

When switching over between cooling/heating mode, the compressor stops automatically.

9.1.2 Evaporator protection against high temperature

9.1.2.1 Only available under heating mode.

9.1.2.2 The operation principle is as follows: (T2 = evaporator temperature)

Condition	Outdoor fan	Compressor
T2>56 °C	Off	On
T2>62 °C	Off	Off
T2<62 °C	On	Off
T2<50 °C	On	On

Note: During protection, the indoor fan continues operating at a set speed, while the anti-cold air function of heating and the compressor will be 3 minute delayed to shut down for protection.

9.1.3 Evaporator Protection against low temperature

9.1.3.1 Only available under cooling and dehumidifying status.

9.1.3.2 Protection principle:

Condition	Outdoor fan	Compressor
T2<2 °C (last 3 minute)	Off	Off
T2>8 °C	On	On

9.1.3.3 The restart of the compressor shall execute the delay protection.

9.1.4 Condenser high temperature protection

9.1.4.1 Only available to cooling and dehumidifying mode.

9.1.4.2 Action condition

Condition	Outdoor fan	Compressor
Condenser temp.>62 °C	Off	Off
Condenser temp.<48 °C	On	On

9.1.4.3 Delay protection should be performed when the compressor restarts.

9.1.5 Outdoor protection

When outdoor protection signal is high level, outdoor unit will perform protection: the whole machine will be shut down while the indoor unit will indicate the corresponding

Exploded view & spare-part

protection signal.

The A/C will recover if outdoor errors are eliminated after the outdoor protection occurs.

9.1.6 LEDs for the indication of outdoor trouble

In normal operation, LEDs emit no light and they will flash at a frequency of 5 Hz when trouble occurs. Their codes are listed in the following table:

Type	Contents	LED1	LED2	LED3	Indication
Trouble	Phase sequence or Lack of phase	Flash	Off	Off	E04
Trouble	Protection pressure	Flash	Flash	Off	E04
Trouble	Overload of current	Off	Off	Flash	E04
Trouble	Open-circuit and short-circuit trouble of T3	Off	Flash	Flash	E04
Trouble	Open-circuit and short-circuit trouble of T4	Off	Flash	Off	E04

Troubles and Solutions

Before calling for service, please review the following list of common problems and solutions.

If any of the following conditions occur, check your unit and resolve corresponding problems referring to given remediation. If the trouble can't be settled contact our dealer.		
Trouble	Cause	Solutions
Unit does not start	Power failure.	Wait for the comeback of power
	Power switch is open.	Switch on the power
	Fuse of power switch may have blown.	Replace the fuse
	Batteries remote controller are exhausted.	Replace the batteries
	The time is not start-up time you have set.	Wait or cancel the time set.
Air flowing normally with low cooling(heating) effect	Temperature is not set correctly.	Set the temperature properly.
	Door or window is open.	Close door and window.
	Air filter is blocked with dust or dirtiness.	Clean the air filter.
	Inlet/outlet of indoor/outdoor units are blocked.	Clear all blockages.
	Inlet/outlet of indoor/outdoor units are blocked.	Clear the blockage, then restart your operation.
	Be in 3 minutes protection of compressor	Wait

Exploded view & spare-part

Number	Display code	Problem	What to do
1	E01	Open-circuit and short-circuit of temperature sensors	Contact service people
2	E02	Over current of compressor (reserved)	Contact service people
3	E04	Protect of outdoor	Contact service people
4	P02	Overload of compressor (reserved)	Contact service people
5	P03	Too low a temperature of indoor evaporator (cooling)	Contact service people
6	P04	Too high a temperature of indoor evaporator (heating)	Turn off the unit, clean the air filter, then restart the unit. If this operation does not work, please contact service people.
7	P05	The temperature of indoor air outlet is too high(heating)	Contact service people