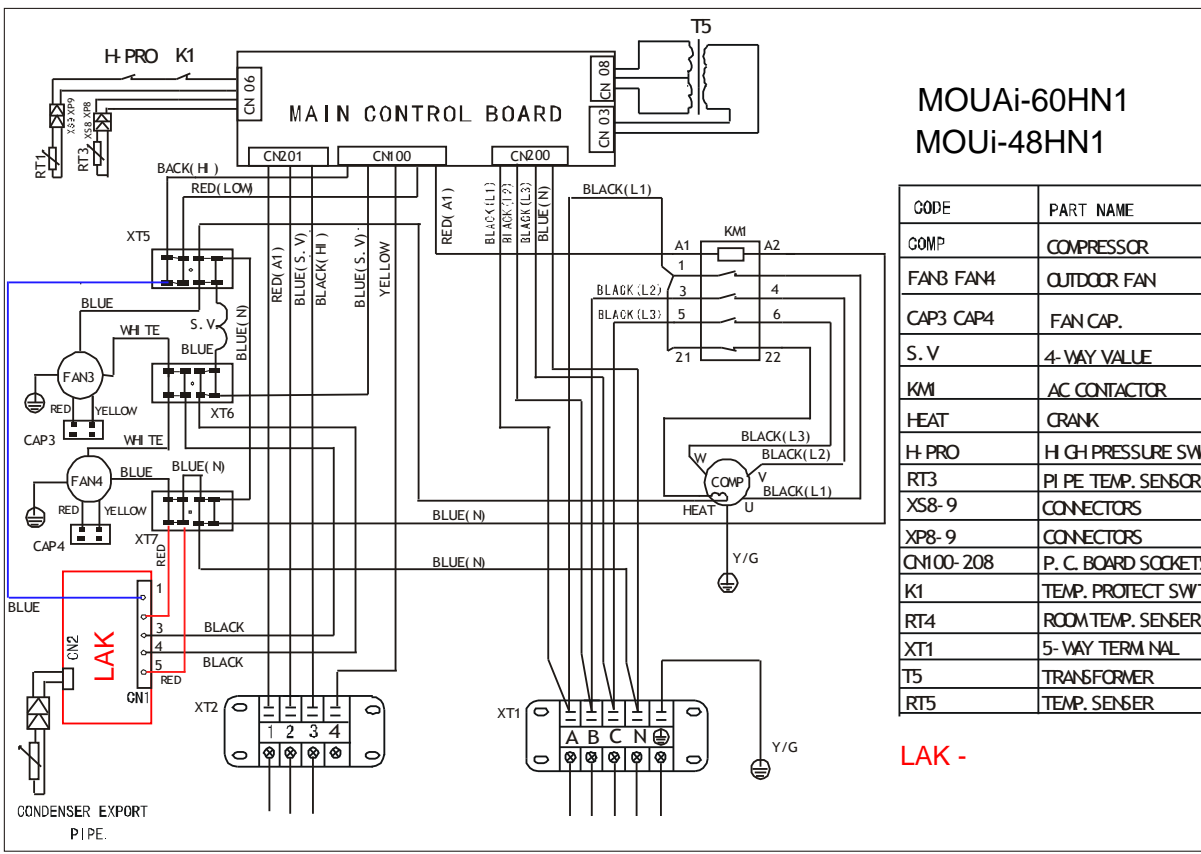


MOUi-36HN1

CODE	PART NAME
COMP	COMPRESSOR
FAN3	OUTDOOR FAN
CAP3	FAN CAP.
S. V.	4-WAY VALVE
KM1	AC CONTACTOR
HEAT	CRANK
XT4	4-WAY TERMINAL
XT5-7	CONNECTOR
H-PRO	HIGH PRESSURE SWITCH
T201	CURRENT DETECTOR
RT3	PIPE TEMP. SENSOR
XS8-9	CONNECTORS
XP8-9	CONNECTORS
CN100-208	P. C. BOARD SOCKETS
K1	TEMP. PROTECT SWITCH
RT4	ROOM TEMP. SENSOR
XT3	5-WAY TERMINAL
T5	TRANSFORMER

LAK -



**MOUAI-60HN1
MOUi-48HN1**

CODE	PART NAME
COMP	COMPRESSOR
FAN3 FAN4	OUTDOOR FAN
CAP3 CAP4	FAN CAP.
S. V.	4-WAY VALVE
KM1	AC CONTACTOR
HEAT	CRANK
H-PRO	HIGH PRESSURE SWITCH
RT3	PIPE TEMP. SENSOR
XS8-9	CONNECTORS
XP8-9	CONNECTORS
CN100-208	P. C. BOARD SOCKETS
K1	TEMP. PROTECT SWITCH
RT4	ROOM TEMP. SENSOR
XT1	5-WAY TERMINAL
T5	TRANSFORMER
RT5	TEMP. SENSOR

LAK -