

## Wall Mounted Type (R Type)

<b>1. Features .....</b>	<b>202</b>
<b>2. Specifications .....</b>	<b>204</b>
<b>3. Dimensions .....</b>	<b>205</b>
<b>4. Piping Diagrams .....</b>	<b>206</b>
<b>5. Wiring Diagrams .....</b>	<b>207</b>
<b>6. Capacity Tables .....</b>	<b>208</b>
<b>7. Electrical Characteristics .....</b>	<b>210</b>
<b>8. Sound Levels .....</b>	<b>211</b>
<b>9. Accessories .....</b>	<b>212</b>

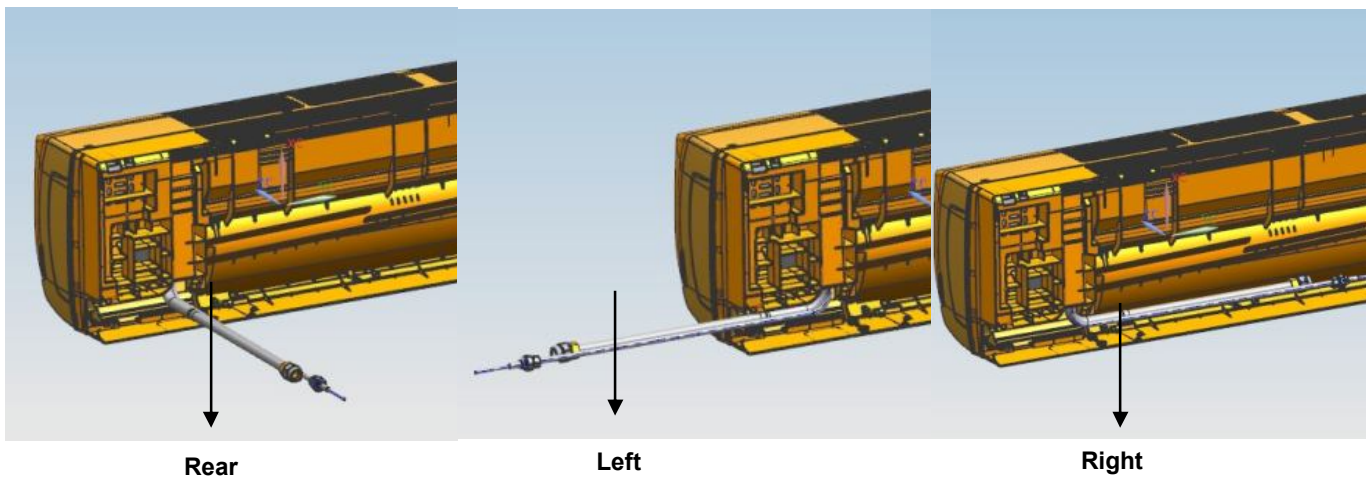
## 1. Features

### 1.1 New panels design, with LED display



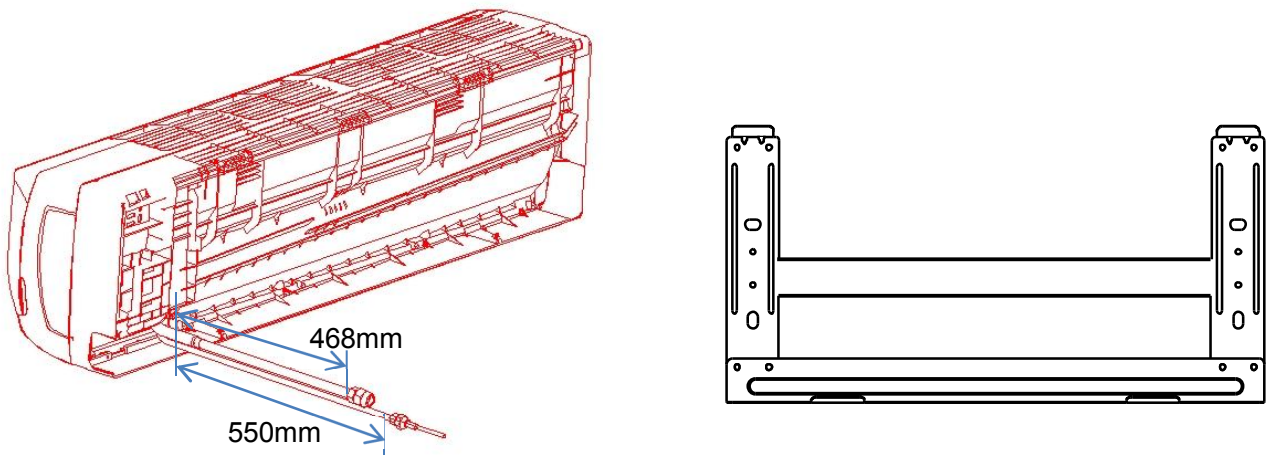
### 1.2 Convenient for installation

1.2.1 Multi-refrigerant outlet pipe method: left/right/rear, more flexible for installation.



1.2.2 Longer the connection pipe, Gas pipe: 468mm/Liquid pipe: 550mm, more flexible for the installation.

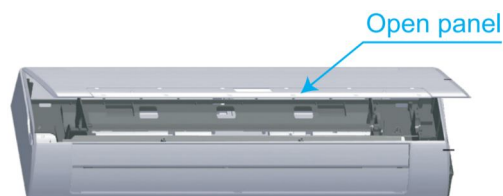
1.2.3 Adopts new type fixing plate, easy for installation and stable.



1.2.4 The EXV is built-in the indoor unit, compact size, and convenient for the installation.

1.2.5 Reserved the socket on main control board for water pump and PCB can be customized if you need water pump function.

1.2.6 The front panel can be lifted up to max. 65 degree and maintain, or be removed. Easy access for wiring and service.



**1.3 Three air flow speed: high/medium/low, double air guides.****1.4 Low noise, creates quiet and comfortable environment.**

1.4.1 Adoption of the Fujikoki brand mechanical expansion valve which has 2000 stages element positioning, ensures precise flow control, as well lower modulation noise when EXV operating.

1.4.2 Smoother airflow with less turbulence. Owing to the multiple-blade fan and the air guide design, the airflow is getting smoother and more comfortable.

1.4.3 Louver's air swing angle can be up to 90 degrees.

**1.5 Wired control compatible. RM05/BG(T)E-A remote wireless controller which can set the indoor unit address is standard, and wired controller is optional.****1.6 Auto restart**

When the indoor unit is powered off, it will auto restart when powered on again after 3 minutes and operate in the original state.

## 2. Specifications

Model			MDV-D71G-R3/N1Y	MDV-D80G-R3/N1Y	MDV-D90G-R3/N1Y
Power supply		V- Ph-Hz	220-240V~, 1Ph, 50Hz		
Cooling	Capacity	kW	7.1	8.0	9.0
	Input	W	79	86	86
	Rated current	A	0.33	0.39	0.39
Heating	Capacity	kW	8.0	9.0	10.0
	Input	W	79	86	86
	Rated current	A	0.33	0.39	0.39
Indoor fan motor	Model		YDK50-4S	YDK50-4S	YDK50-4S
	Type		AC motor		
	Brand		Da Yang		
	Input	W	99/83/53	99/83/53	99/83/53
	Capacitor	μF	3	3	3
	Speed (h/m/l)	r/min	1190/880/680	1190/880/680	1190/880/680
Indoor coil	Number of rows		2	2	2
	Tube pitch× row pitch	mm	21×13.37	21×13.37	21×13.37
	Fin spacing	mm	1.3	1.3	1.3
	Fin type		Hydrophilic aluminum		
	Tube outside diameter and type	mm	Φ7		
			Inner groove tube		
	length× height	mm	965×63		
Number of circuits		6	6	6	
Indoor air flow (H/M/L)		m <sup>3</sup> /h	1190/880/680	1320/840/640	1320/840/640
Indoor noise level (H/M/L)		dB(A)	47/43/42	48/43/38	49/43/38
Indoor unit	Dimension (W×H×D)	mm	1250×325×245	1250×325×245	1250×325×245
	Packing (W×H×D)	mm	1345×335×430	1345×335×430	1345×335×430
	Net/Gross weight	kg	19.9/25	19.9/25	19.9/25
Refrigerant type		R410A			
Throttle	Type	Inside Electrical expansive valve			
	Model	EFM-25YGMISZ-6M-A			
Design pressure		MPa	4.4/2.6		
Refrigerant piping	Liquid side/ Gas side	mm	Φ9.53/Φ15.9		
Connecting wiring	Power wiring	mm <sup>2</sup>	3×2.5		
	Signal wiring	mm <sup>2</sup>	3×0.75		
Drainage water pipe diameter		ODΦ16.5			
Controller		Wireless remote controller (RM05/BG(T)E-A) (Standard), to set address			

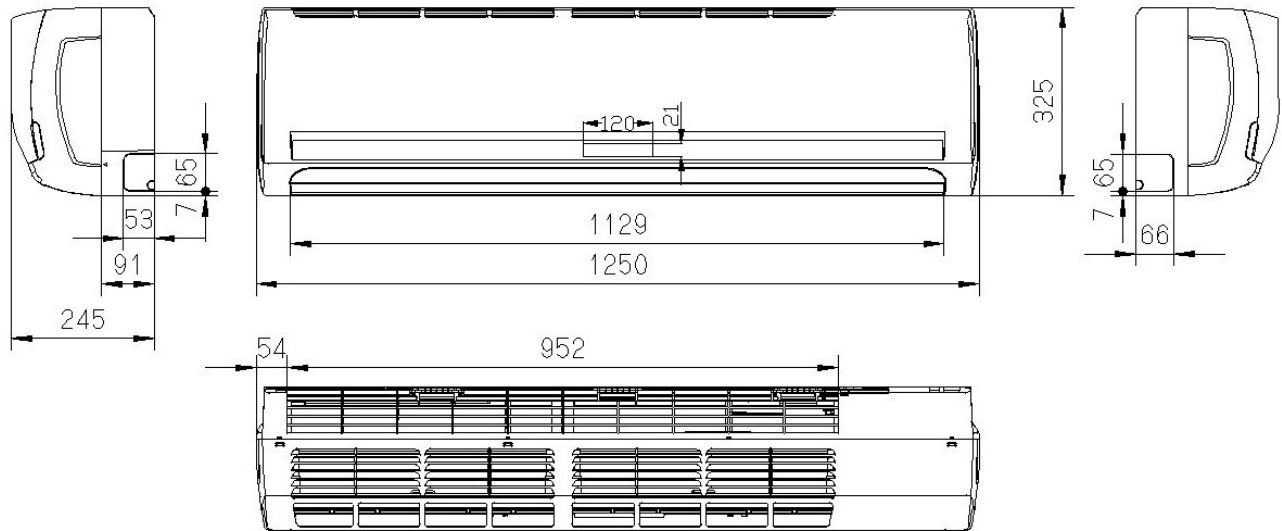
**Notes:** 1. Nominal cooling capacities are based on the following conditions: return air temperature : 27°CDB, 19°CWB, outdoor air temperature:35°CDB,equivalent ref. Piping: 8m(horizontal).

2. Nominal heating capacities are based on the following conditions: return air temperature: 20°CDB,outdoorair temperature: 7°CDB,6°CWB,equivalent ref. Piping: 8m(horizontal).

### 3. Dimensions

#### Outline dimension and air outlet opening size

MDV-D71G-R3/N1Y    MDV-D80G-R3/N1Y    MDV-D90G-R3/N1Y



#### Main dimension:

Outer Length: 1250mm, Height: 245mm, Depth: 325mm

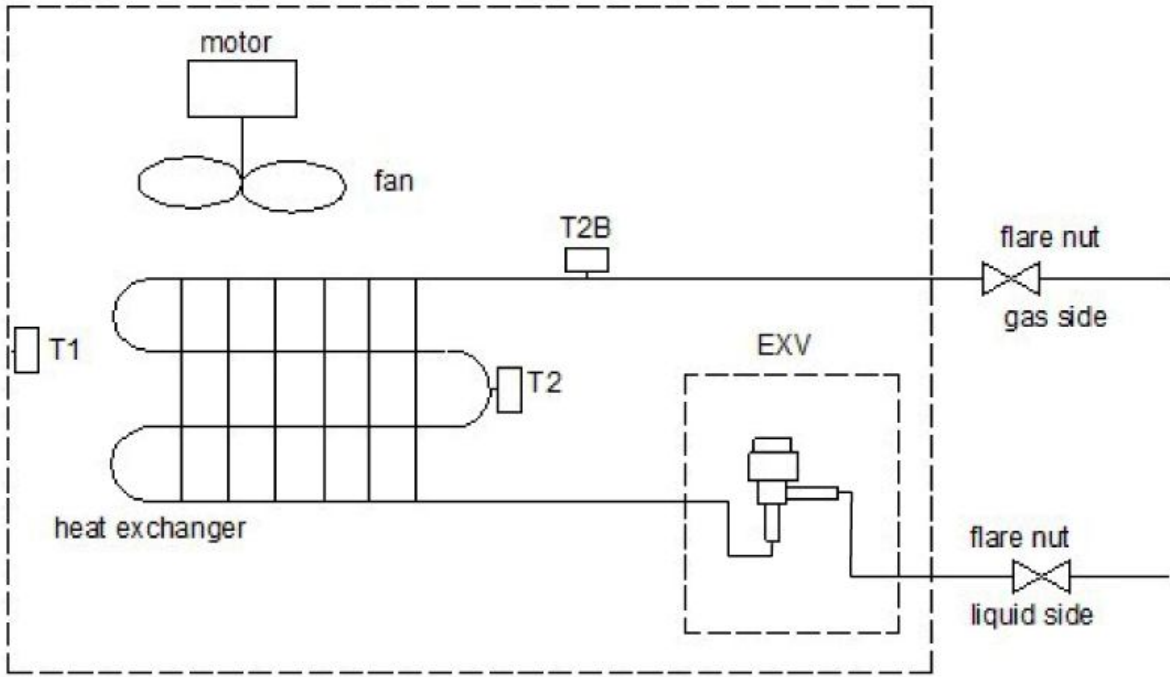
Filter length: 952mm

Gas tube:  $\phi$ 15.9mm, length: Approx.550mm

Liquid tube:  $\phi$ 9.5mm, length: Approx.468mm

### 4. Piping Diagrams

MDV-D71G-R3/N1Y MDV-D80G-R3/N1Y MDV-D90G-R3/N1Y

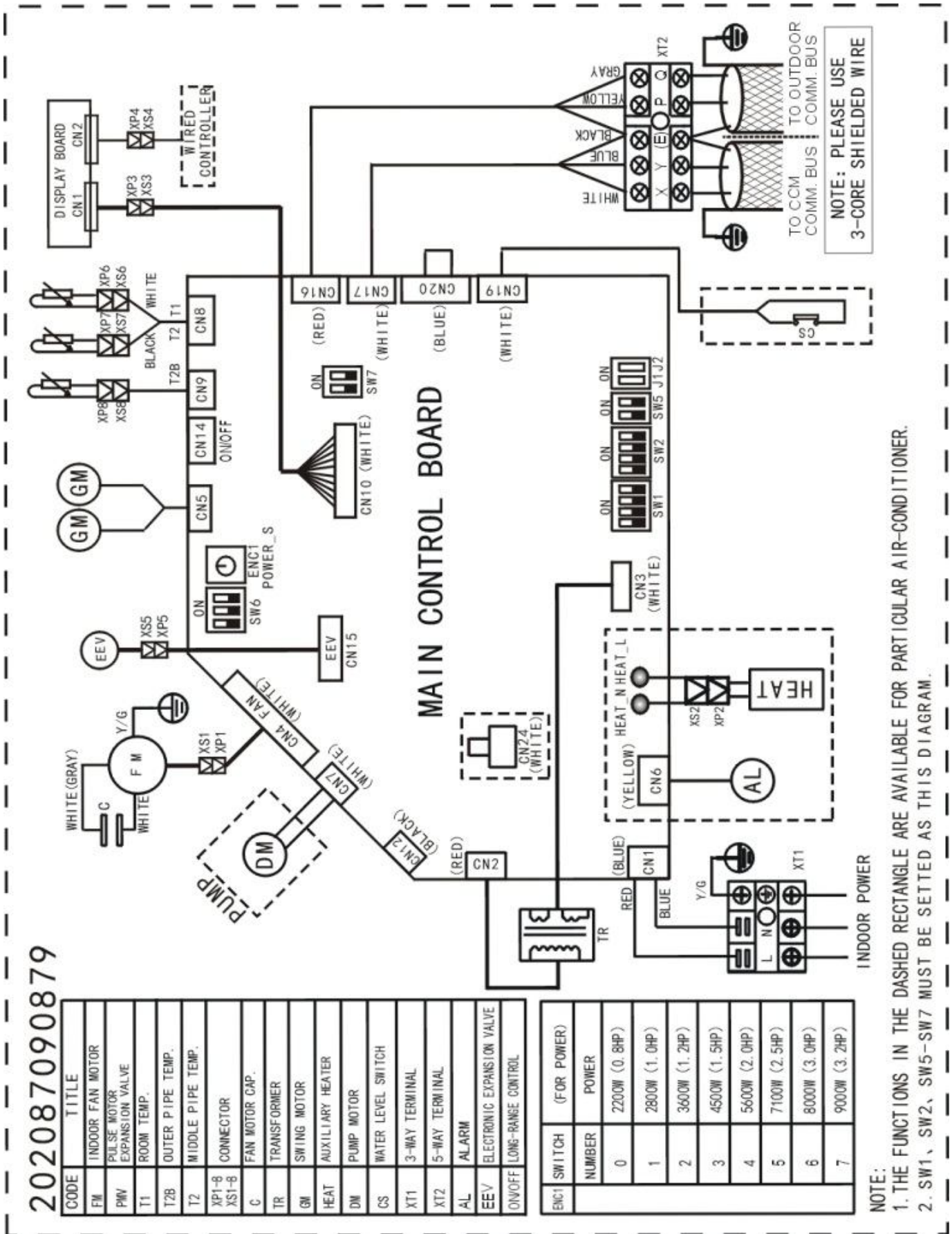


### 5. Wiring Diagrams

MDV-D71G-R3/N1Y

MDV-D80G-R3/N1Y

MDV-D90G-R3/N1Y



## 6. Capacity Tables

### 6.1 Cooling

TC: total capacity SC: sensible capacity WB: wet-bulb temperature DB: dry-bulb temperature

Indoor Unit size (kW)	Outdoor temperature (°CDB)	Indoor temperature (°CWB/DB)													
		14/20		16/23		18/26		19/27		20/28		22/30		24/32	
		TC	SC	TC	SC	TC	SC	TC	SC	TC	SC	TC	SC	TC	SC
		kW	kW	kW	kW	kW	kW	kW	kW	kW	kW	kW	kW	kW	kW
7.1	10.0	4.9	3.6	5.8	4.0	6.7	4.3	7.1	4.5	7.5	4.4	8.4	4.5	9.2	4.6
	12.0	4.9	3.6	5.8	4.0	6.7	4.3	7.1	4.5	7.5	4.4	8.4	4.5	9.1	4.5
	14.0	4.9	3.6	5.8	4.0	6.7	4.3	7.1	4.5	7.5	4.4	8.4	4.5	9.0	4.5
	16.0	4.9	3.6	5.8	4.0	6.7	4.3	7.1	4.5	7.5	4.4	8.4	4.5	8.9	4.4
	18.0	4.9	3.6	5.8	4.0	6.7	4.3	7.1	4.5	7.5	4.4	8.4	4.5	8.7	4.3
	20.0	4.9	3.6	5.8	4.0	6.7	4.3	7.1	4.5	7.5	4.4	8.4	4.5	8.5	4.2
	21.0	4.9	3.6	5.8	4.0	6.7	4.3	7.1	4.5	7.5	4.4	8.4	4.5	8.4	4.2
	23.0	4.9	3.6	5.8	4.0	6.7	4.3	7.1	4.5	7.5	4.4	8.4	4.5	8.3	4.1
	25.0	4.9	3.6	5.8	4.0	6.7	4.3	7.1	4.5	7.5	4.4	8.4	4.5	8.2	4.1
	27.0	4.9	3.6	5.8	4.0	6.7	4.3	7.1	4.5	7.5	4.4	8.1	4.3	8.2	4.1
	29.0	4.9	3.6	5.8	4.0	6.7	4.3	7.1	4.5	7.5	4.5	8.0	4.3	8.1	4.1
	31.0	4.9	3.6	5.8	4.0	6.7	4.3	7.1	4.5	7.5	4.5	7.9	4.3	7.8	4.0
	33.0	4.9	3.6	5.8	4.0	6.7	4.3	7.1	4.5	7.5	4.5	7.8	4.2	7.8	4.0
	35.0	4.9	3.6	5.8	4.0	6.7	4.3	7.1	4.5	7.5	4.5	7.6	4.1	7.7	3.9
	37.0	4.9	3.6	5.8	4.0	6.7	4.3	7.1	4.5	7.4	4.4	7.5	4.1	7.6	4.0
	39.0	4.9	3.6	5.8	4.0	6.7	4.3	7.1	4.5	7.2	4.3	7.4	4.1	7.6	4.0
42.0	4.9	3.6	5.8	4.0	6.7	4.3	7.1	4.5	7.2	4.3	7.4	4.1	7.6	4.0	
44.0	4.9	3.6	5.8	4.0	6.7	4.3	7.1	4.5	7.2	4.3	7.4	4.1	7.6	4.0	
46.0	4.9	3.6	5.8	4.0	6.7	4.3	7.1	4.5	7.2	4.3	7.4	4.1	7.6	4.0	
8.0	10.0	5.5	4.1	6.6	4.5	7.5	4.8	8.0	5.1	8.4	4.9	9.4	5.0	10.4	5.2
	12.0	5.5	4.1	6.6	4.5	7.5	4.8	8.0	5.1	8.4	4.9	9.4	5.0	10.2	5.1
	14.0	5.5	4.1	6.6	4.5	7.5	4.8	8.0	5.1	8.4	4.9	9.4	5.0	10.2	5.0
	16.0	5.5	4.1	6.6	4.5	7.5	4.8	8.0	5.1	8.4	4.9	9.4	5.0	10.0	5.0
	18.0	5.5	4.1	6.6	4.5	7.5	4.8	8.0	5.1	8.4	4.9	9.4	5.0	9.8	4.8
	20.0	5.5	4.1	6.6	4.5	7.5	4.8	8.0	5.1	8.4	4.9	9.4	5.0	9.6	4.8
	21.0	5.5	4.1	6.6	4.5	7.5	4.8	8.0	5.1	8.4	4.9	9.4	5.0	9.4	4.7
	23.0	5.5	4.1	6.6	4.5	7.5	4.8	8.0	5.1	8.4	4.9	9.4	5.0	9.4	4.7
	25.0	5.5	4.1	6.6	4.5	7.5	4.8	8.0	5.1	8.4	4.9	9.4	5.0	9.3	4.6
	27.0	5.5	4.1	6.6	4.5	7.5	4.8	8.0	5.1	8.4	4.9	9.1	4.9	9.2	4.7
	29.0	5.5	4.1	6.6	4.5	7.5	4.8	8.0	5.1	8.4	5.0	9.0	4.9	9.1	4.6
	31.0	5.5	4.1	6.6	4.5	7.5	4.8	8.0	5.1	8.4	5.0	8.9	4.8	8.8	4.5
	33.0	5.5	4.1	6.6	4.5	7.5	4.8	8.0	5.1	8.4	5.0	8.8	4.8	8.8	4.5
	35.0	5.5	4.1	6.6	4.5	7.5	4.8	8.0	5.1	8.4	5.0	8.6	4.6	8.6	4.4
	37.0	5.5	4.1	6.6	4.5	7.5	4.8	8.0	5.1	8.3	5.0	8.4	4.6	8.6	4.5
	39.0	5.5	4.1	6.6	4.5	7.5	4.8	8.0	5.1	8.1	4.8	8.3	4.6	8.6	4.5
42.0	5.5	4.1	6.6	4.5	7.5	4.8	8.0	5.1	8.1	4.8	8.3	4.6	8.6	4.5	
44.0	5.5	4.1	6.6	4.5	7.5	4.8	8.0	5.1	8.1	4.8	8.3	4.6	8.6	4.5	
46.0	5.5	4.1	6.6	4.5	7.5	4.8	8.0	5.1	8.1	4.8	8.3	4.6	8.6	4.5	
9.0	10.0	6.2	4.9	7.3	5.3	8.4	5.8	9.0	5.9	9.6	6.0	10.6	6.1	11.7	6.0
	12.0	6.2	4.9	7.3	5.3	8.4	5.8	9.0	5.9	9.6	6.0	10.6	6.1	11.5	5.9
	14.0	6.2	4.9	7.3	5.3	8.4	5.8	9.0	5.9	9.6	6.0	10.6	6.1	11.4	5.9
	16.0	6.2	4.9	7.3	5.3	8.4	5.8	9.0	5.9	9.6	6.0	10.6	6.1	11.3	5.8
	18.0	6.2	4.9	7.3	5.3	8.4	5.8	9.0	5.9	9.6	6.0	10.6	6.1	11.0	5.8
	20.0	6.2	4.9	7.3	5.3	8.4	5.8	9.0	5.9	9.6	6.0	10.6	6.1	10.8	5.7
	21.0	6.2	4.9	7.3	5.3	8.4	5.8	9.0	5.9	9.6	6.0	10.6	6.1	10.6	5.6
	23.0	6.2	4.9	7.3	5.3	8.4	5.8	9.0	5.9	9.6	6.0	10.6	6.1	10.5	5.5
	25.0	6.2	4.9	7.3	5.3	8.4	5.8	9.0	5.9	9.6	6.0	10.6	6.1	10.4	5.5
	27.0	6.2	4.9	7.3	5.3	8.4	5.8	9.0	5.9	9.6	6.0	10.3	5.9	10.4	5.4
	29.0	6.2	4.9	7.3	5.3	8.4	5.8	9.0	5.9	9.6	6.0	10.1	5.7	10.3	5.4
	31.0	6.2	4.9	7.3	5.3	8.4	5.8	9.0	5.9	9.6	6.0	10.0	5.7	9.9	5.3
	33.0	6.2	4.9	7.3	5.3	8.4	5.8	9.0	5.9	9.6	6.0	9.9	5.6	9.9	5.3
	35.0	6.2	4.9	7.3	5.3	8.4	5.8	9.0	5.9	9.5	6.0	9.6	5.5	9.7	5.3
	37.0	6.2	4.9	7.3	5.3	8.4	5.8	9.0	5.9	9.3	5.8	9.5	5.4	9.6	5.3
	39.0	6.2	4.9	7.3	5.3	8.4	5.8	9.0	5.9	9.2	5.7	9.4	5.3	9.6	5.3
42.0	6.2	4.9	7.3	5.3	8.4	5.8	9.0	5.9	9.2	5.7	9.4	5.3	9.6	5.3	
44.0	6.2	4.9	7.3	5.3	8.4	5.8	9.0	5.9	9.2	5.7	9.4	5.3	9.6	5.3	
46.0	6.2	4.9	7.3	5.3	8.4	5.8	9.0	5.9	9.2	5.7	9.4	5.3	9.6	5.3	



**6.2 Heating**

**TC:** total capacity **WB:** wet-bulb temperature **DB:** dry-bulb temperature

Indoor Unit size (kW)	Outdoor temperature (°C)		Indoor temperature (°C DB)					
			16.00	18.00	20.00	21.00	22.00	24.00
	WB	DB	TC kW	TC kW	TC kW	TC kW	TC kW	TC kW
7.1	-20	-19.8	4.48	4.48	4.48	4.48	4.48	4.48
	-19	-18.8	4.8	4.8	4.8	4.8	4.8	4.8
	-17	-16.7	5.04	5.04	5.04	5.04	5.04	5.04
	-15	-14.7	5.2	5.2	5.2	5.2	5.2	5.2
	-13.00	-12.60	5.36	5.36	5.36	5.36	5.36	5.36
	-11.00	-10.50	5.6	5.6	5.6	5.6	5.6	5.6
	-10.00	-9.50	5.84	5.84	5.84	5.84	5.84	5.84
	-9.10	-8.50	6	6	6	6	6	6
	-7.60	-7.00	6.08	6.08	6.08	6.08	6.08	6.08
	-5.60	-5.00	6.32	6.32	6.32	6.32	6.32	6.32
	-3.70	-3.00	6.64	6.64	6.64	6.64	6.64	6.64
	-0.70	0.00	7.12	7.12	7.12	7.12	7.12	6.72
	2.20	3.00	7.52	7.52	7.52	7.52	7.36	6.72
	4.10	5.00	7.76	7.76	7.76	7.76	7.36	6.72
	6.00	7.00	8	8	8	7.76	7.36	6.72
	7.90	9.00	8.24	8.24	8	7.76	7.36	6.72
9.80	11.00	8.48	8.48	8	7.76	7.36	6.72	
11.80	13.00	8.8	8.64	8	7.76	7.36	6.72	
13.70	15.00	9.04	8.64	8	7.76	7.36	6.72	
8.0	-20	-19.8	5.04	5.04	5.04	5.04	5.04	5.04
	-19	-18.8	5.4	5.4	5.4	5.4	5.4	5.4
	-17	-16.7	5.67	5.67	5.67	5.67	5.67	5.67
	-15	-14.7	5.85	5.85	5.85	5.85	5.85	5.85
	-13.00	-12.60	6.03	6.03	6.03	6.03	6.03	6.03
	-11.00	-10.50	6.3	6.3	6.3	6.3	6.3	6.3
	-10.00	-9.50	6.57	6.57	6.57	6.57	6.57	6.57
	-9.10	-8.50	6.75	6.75	6.75	6.75	6.75	6.75
	-7.60	-7.00	6.84	6.84	6.84	6.84	6.84	6.84
	-5.60	-5.00	7.11	7.11	7.11	7.11	7.11	7.11
	-3.70	-3.00	7.47	7.47	7.47	7.47	7.47	7.47
	-0.70	0.00	8.01	8.01	8.01	8.01	8.01	7.56
	2.20	3.00	8.46	8.46	8.46	8.46	8.28	7.56
	4.10	5.00	8.73	8.73	8.73	8.73	8.28	7.56
	6.00	7.00	9	9	9	8.73	8.28	7.56
	7.90	9.00	9.27	9.27	9	8.73	8.28	7.56
9.80	11.00	9.54	9.54	9	8.73	8.28	7.56	
11.80	13.00	9.9	9.72	9	8.73	8.28	7.56	
13.70	15.00	10.17	9.72	9	8.73	8.28	7.56	
9.0	-20	-19.8	5.6	5.04	5.6	5.6	5.6	5.6
	-19	-18.8	6	5.4	6	6	6	6
	-17	-16.7	6.3	6.3	6.3	6.3	6.3	6.3
	-15	-14.7	6.5	6.5	6.5	6.5	6.5	6.5
	-13.00	-12.60	6.7	6.7	6.7	6.7	6.7	6.7
	-11.00	-10.50	7	7	7	7	7	7
	-10.00	-9.50	7.3	7.3	7.3	7.3	7.3	7.3
	-9.10	-8.50	7.5	7.5	7.5	7.5	7.5	7.5
	-7.60	-7.00	7.6	7.6	7.6	7.6	7.6	7.6
	-5.60	-5.00	7.9	7.9	7.9	7.9	7.9	7.9
	-3.70	-3.00	8.3	8.3	8.3	8.3	8.3	8.3
	-0.70	0.00	8.9	8.9	8.9	8.9	8.9	8.4
	2.20	3.00	9.4	9.4	9.4	9.4	9.2	8.4
	4.10	5.00	9.7	9.7	9.7	9.7	9.2	8.4
	6.00	7.00	10	10	10	9.7	9.2	8.4
	7.90	9.00	10.3	10.3	10	9.7	9.2	8.4
9.80	11.00	10.6	10.6	10	9.7	9.2	8.4	
11.80	13.00	11	10.8	10	9.7	9.2	8.4	
13.70	15.00	11.3	10.8	10	9.7	9.2	8.4	

## 7. Electrical Characteristics

Model	Indoor Unit				Power Supply		IFM	
	Hz	Voltage	Min.	Max.	MCA	MFA	KW	FLA
MDV-D71G-R3/N1Y	50	220-240V	198	254	0.4	8	0.05	0.32
MDV-D80G-R3/N1Y	50	220-240V	198	254	0.48	8	0.05	0.38
MDV-D90G-R3/N1Y	50	220-240V	198	254	0.48	8	0.05	0.38

**Remark:**

MCA: Min. Current Amps. (A)

MFA: Max. Fuse Amps. (A)

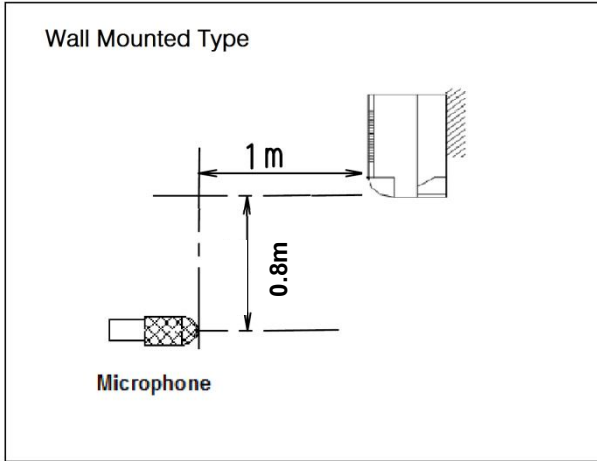
KW: Fan Motor Rated Output (kW)

FLA: Full Load Amps. (A)

IFM:Indoor Fan Motor

## 8. Sound Levels

### 8.1 Test condition

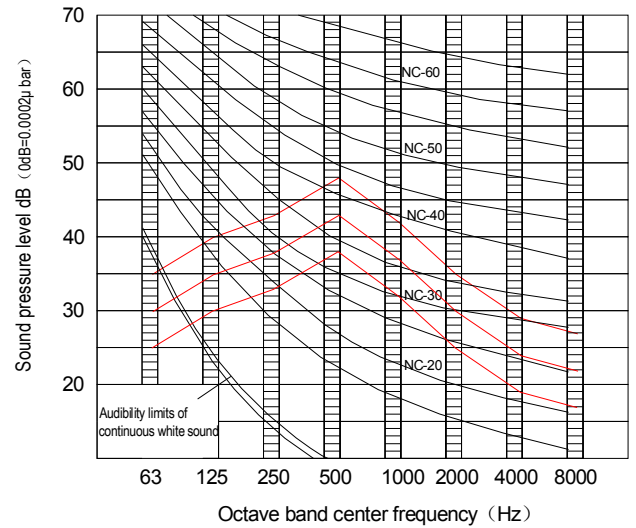
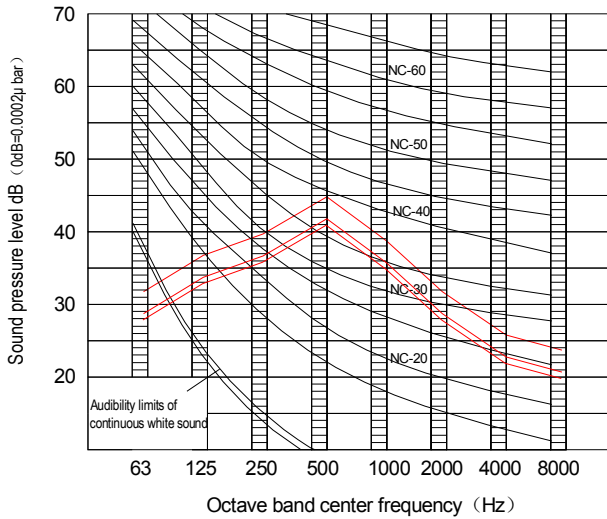


### 8.2 Test value

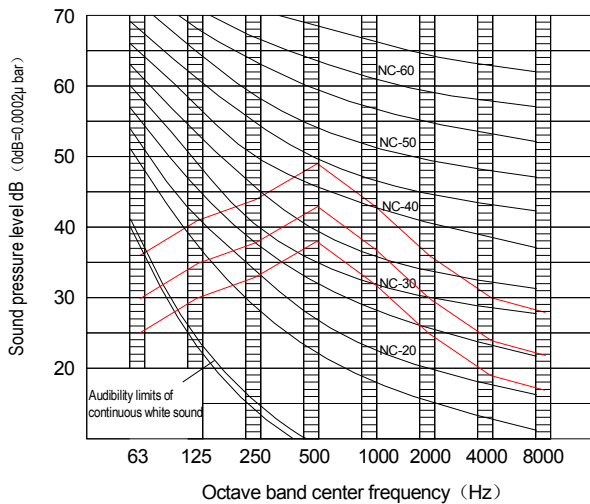
Model	Sound test value dB(A)		
	H	M	L
MDV-D71G-R3/N1Y	45	42	41
MDV-D80G-R3/N1Y	48	43	38
MDV-D90G-R3/N1Y	49	43	38

MDV-D71G-R3/N1Y

MDV-D80G-R3/N1-Y



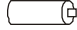






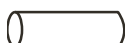

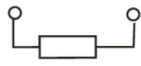


MDV-D90G-R3/N1Y



## 9. Accessories

### 9.1 Standard accessories

Name	Quantity	Shape	Usage
Installation manual	1	/	/
Remote controller (including operation manual)	1		/
Frame	1		Hold the remote controller
Alkaline dry battery (AM4)	2		/
Remoter controller manual	1		/
Mounting screw(ST2.9 10-C-H)	2		Installation Holder for remote controller
Wall bushing	1		/
Wrapping tape	1		/
Plastic expanded tube	8		/
Screw ST3.9x25 for installation board	8		Secure the installation board
Drain Pipe	1		/
Sealed tube cap	1		/
Network matching wire	1		The indoor unit which at the terminal of communication system should connect a impedance between port P and port Q.

### 9.2 Optional accessories

Name	Model	Code	Usage
Wired remote controller	<b>KJR-10B/DP(T)-E</b>	<b>203355190000</b>	With a standard 5m long cable to connect to display board.
(Follow me) Wired remote controller	<b>KJR-12B/DP(T)-E</b>	<b>203355100010</b>	With an extra Built-in room temp. sensor, all others are same as KJR-10B